



US00D873240S

(12) **United States Design Patent**
Roberts

(10) **Patent No.:** **US D873,240 S**
(45) **Date of Patent:** **** Jan. 21, 2020**

(54) **PORTABLE LOUDSPEAKER**

(71) Applicant: **James Christopher Roberts**, St Martin (JE)

(72) Inventor: **James Christopher Roberts**, St Martin (JE)

(73) Assignee: **Flashbay Electronics Hong Kong Limited**, Hong Kong (HK)

(**) Term: **15 Years**

(21) Appl. No.: **29/616,580**

(22) Filed: **Sep. 7, 2017**

(51) **LOC (12) Cl.** **14-01**

(52) **U.S. Cl.**
USPC **D14/210**

(58) **Field of Classification Search**
USPC D14/167, 168, 170–172, 188, 194–198, D14/204, 207, 209.1, 210–216, 219, 221, D14/222, 224, 496; 181/143, 144, 147, 181/148, 150, 153, 157, 198, 199; 369/6–12; 381/300–303, 306, 332–334, 381/336, 345, 361–364, 386–388
CPC B60R 11/0217; G06F 1/1688; G10K 9/22; G10K 11/004; H03F 1/327; H04M 1/03; H04M 1/035; H04N 5/642; H04N 21/4852; H04S 3/00; H04S 7/30; H04R 1/02; H04R 1/06; H04R 1/021; H04R 1/025; H04R 1/026; H04R 1/028; H04R 1/105; H04R 1/323; H04R 1/403; H04R 1/2803; H04R 1/2834; H04R 5/02; H04R 7/20; H04R 9/06; H04R 9/025; H04R 2201/021; H04R 2400/00; H04R 2400/07; H04R 2499/11; H04R 2499/13; H04R 2499/15

See application file for complete search history.

(56) **References Cited**

U.S. PATENT DOCUMENTS

D546,318 S * 7/2007 Yoon D14/214
D557,256 S * 12/2007 Joseph D14/214

D579,443 S * 10/2008 Donovan D14/214
D646,665 S * 10/2011 Iijima D14/214
D676,412 S * 2/2013 Holzer D14/171
D678,243 S * 3/2013 McManigal D14/214
D690,280 S * 9/2013 Schul D14/168
D707,202 S * 6/2014 McManigal D14/214

(Continued)

FOREIGN PATENT DOCUMENTS

CN 102572661 * 7/2012 H04R 17/00
JP 2010068053 * 3/2010 H04R 19/02

OTHER PUBLICATIONS

CAL_Outdoor Mini Wireless Bluetooth Speaker TF/FM/U Disk Super Bass Loudspeaker, Shopee.com.my, [online], [site visited Apr. 28, 2019]. URL: https://shopee.com.my/CAL_Outdoor-Mini-Wireless-Bluetooth-Speaker-TF-FM-U-Disk-Super-Bass-Loudspeaker-i.104767705.1703086448 (Year: 2019).*

(Continued)

Primary Examiner — T Chase Nelson
Assistant Examiner — Jonathan J. Han

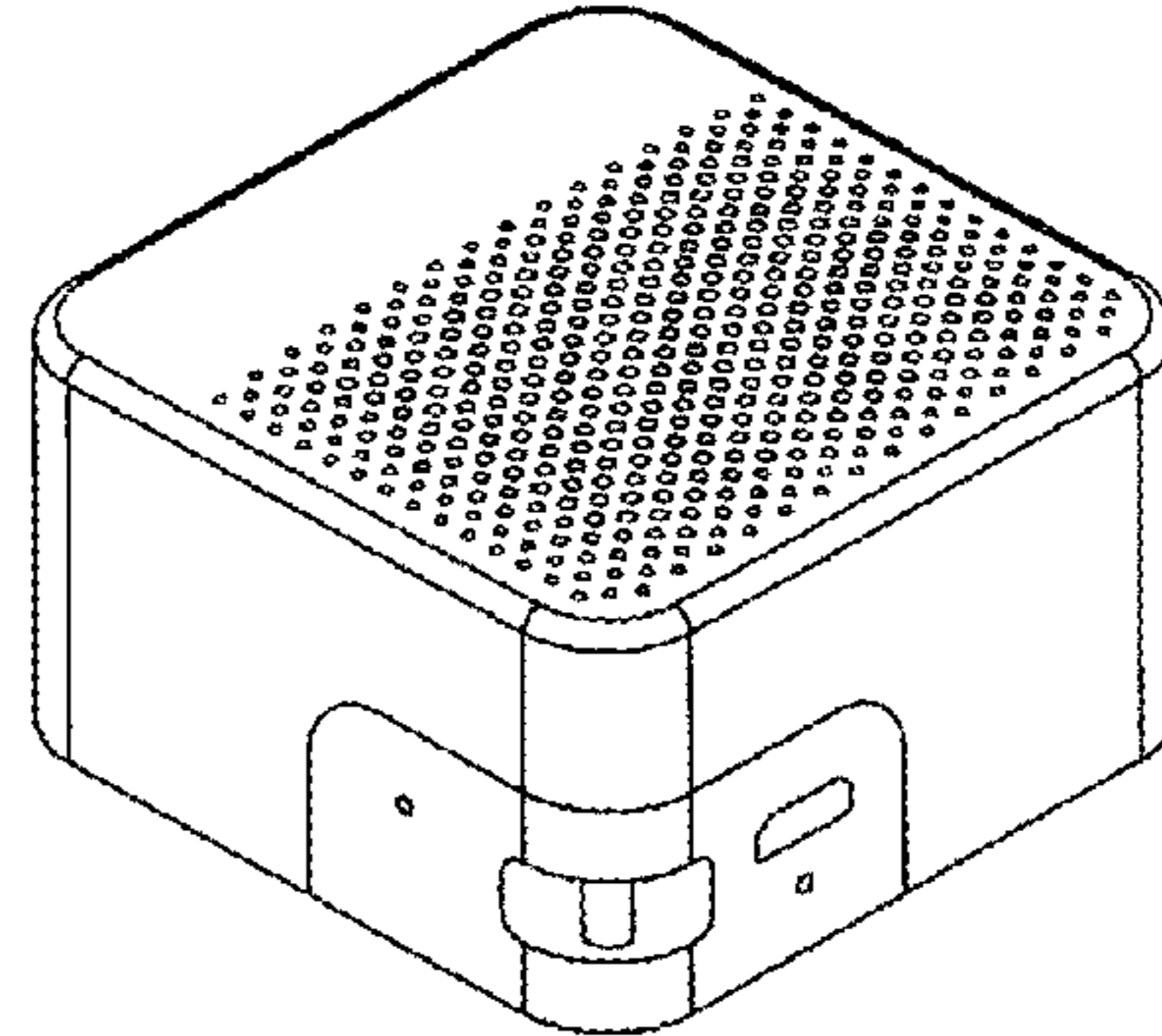
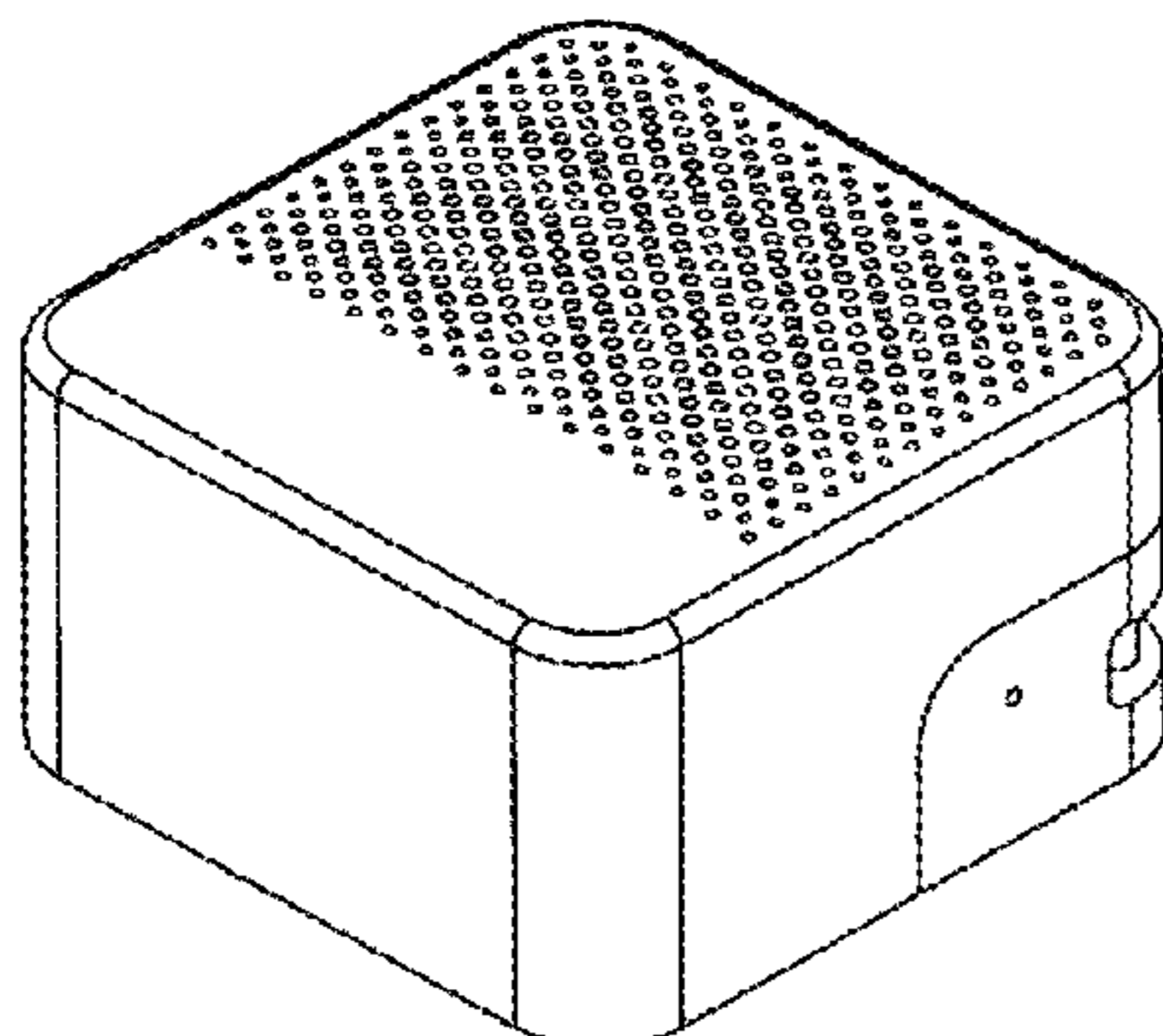
(57) **CLAIM**

The ornamental design for a portable loudspeaker, as shown and described.

DESCRIPTION

FIG. 1 is a front view of the portable loudspeaker; FIG. 2 is a left side view of the portable loudspeaker; FIG. 3 is a rear view of the portable loudspeaker; FIG. 4 is a right side view of the portable loudspeaker; FIG. 5 is a bottom view of the portable loudspeaker; FIG. 6 is a top view of the portable loudspeaker; FIG. 7 is a rear top left perspective view of the portable loudspeaker; and, FIG. 8 is a left top front perspective view of the portable loudspeaker.

1 Claim, 2 Drawing Sheets



(56)

References Cited

U.S. PATENT DOCUMENTS

D710,824 S * 8/2014 Mackiewicz D14/214
 D718,739 S * 12/2014 DiTullo D14/214
 D722,042 S * 2/2015 Nakamura D14/209.1
 D734,291 S * 7/2015 Wong D14/171
 D751,526 S * 3/2016 Habraken D14/204
 D754,102 S * 4/2016 Sun D14/214
 D755,160 S * 5/2016 Ponce D14/214
 D758,345 S * 6/2016 Fujioka D14/214
 D758,346 S * 6/2016 DiTullo D14/214
 D760,691 S * 7/2016 Paslawski D14/214
 D769,224 S * 10/2016 Xu D14/215
 D772,092 S * 11/2016 Hageman D10/119.1
 D772,224 S * 11/2016 Kacin D14/308
 D782,019 S * 3/2017 Kim D23/364
 D785,068 S * 4/2017 Patsis D16/200
 D786,218 S * 5/2017 Tan D14/215
 D788,073 S * 5/2017 Silvera D14/204
 D807,122 S * 1/2018 Williamson D7/605
 D813,193 S * 3/2018 Zeng D14/204
 D824,365 S * 7/2018 Vogt, Jr. D14/214
 D826,206 S * 8/2018 Elmieh D14/204

D830,989 S * 10/2018 McManigal D14/204
 D835,068 S * 12/2018 Chen D14/214
 D835,603 S * 12/2018 Chen D14/214
 D836,088 S * 12/2018 Ivey D14/215
 D842,265 S * 3/2019 Becker D14/204
 D843,351 S * 3/2019 Osborn D14/214
 D844,587 S * 4/2019 Lu D14/214

OTHER PUBLICATIONS

P.A.C.O. Bluetooth Speaker with Gestural Controls, DigitalHabits.it, [online], [site visited Apr. 28, 2019]. URL: <http://www.digitalhabits.it/loudspeaker-paco/> (Year: 2019).*

Crasher Micro Ultra Portable Bluetooth Speaker, JLABaudio.com, [online], [site visited Apr. 28, 2019]. URL: <https://www.jlabaudio.com/products/crasher-micro-ultra-portable-bluetooth-speaker> (Year: 2019).*

Bose SoundLink Micro Review: Micro size, macro sound, YouTube.com, SoundGuys, Published on Apr. 10, 2018, [online], [site visited Apr. 28, 2019]. URL: <https://www.youtube.com/watch?v=fFHsjrsNyS4> (Year: 2018).*

* cited by examiner

FIG.1

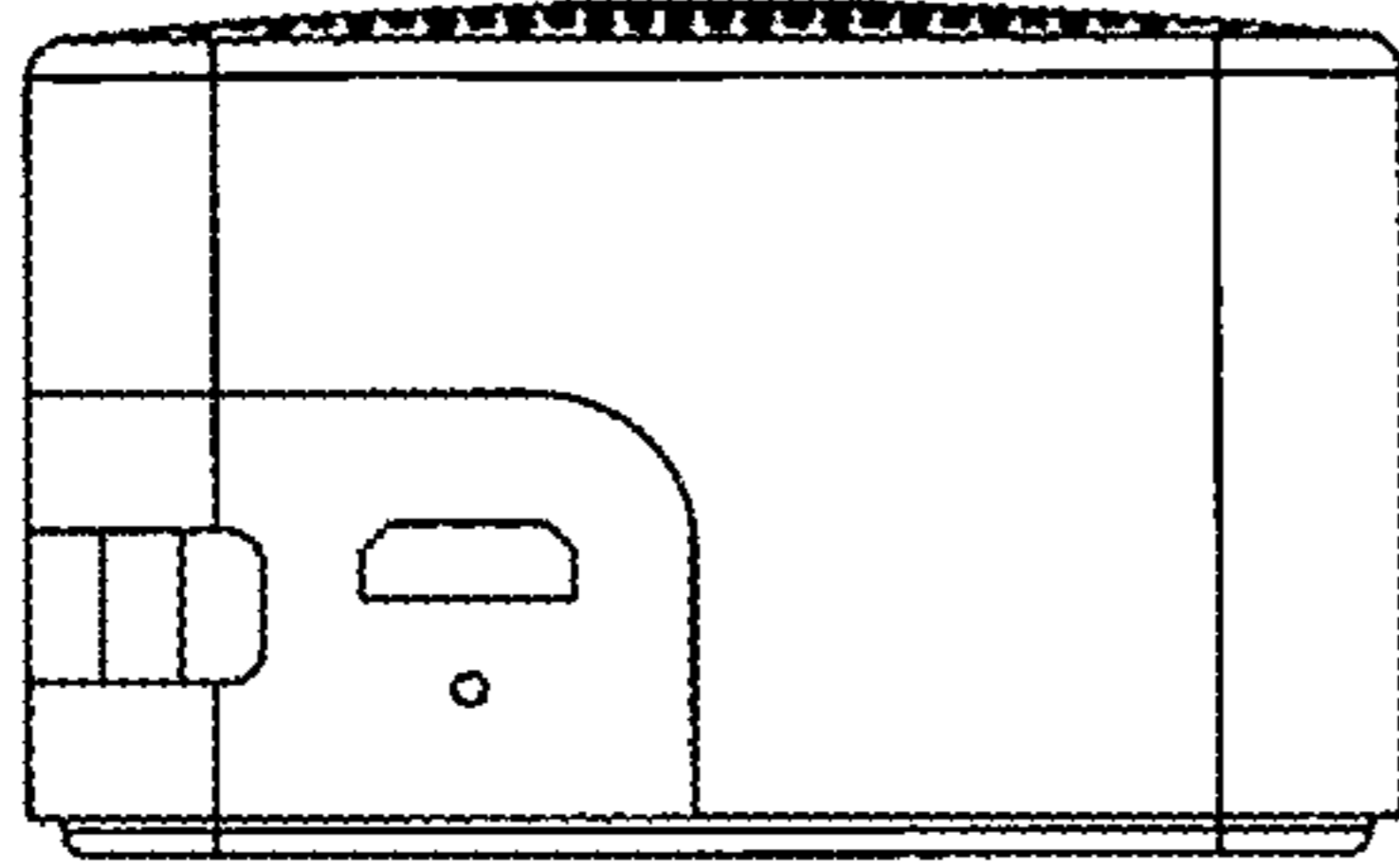


FIG.2

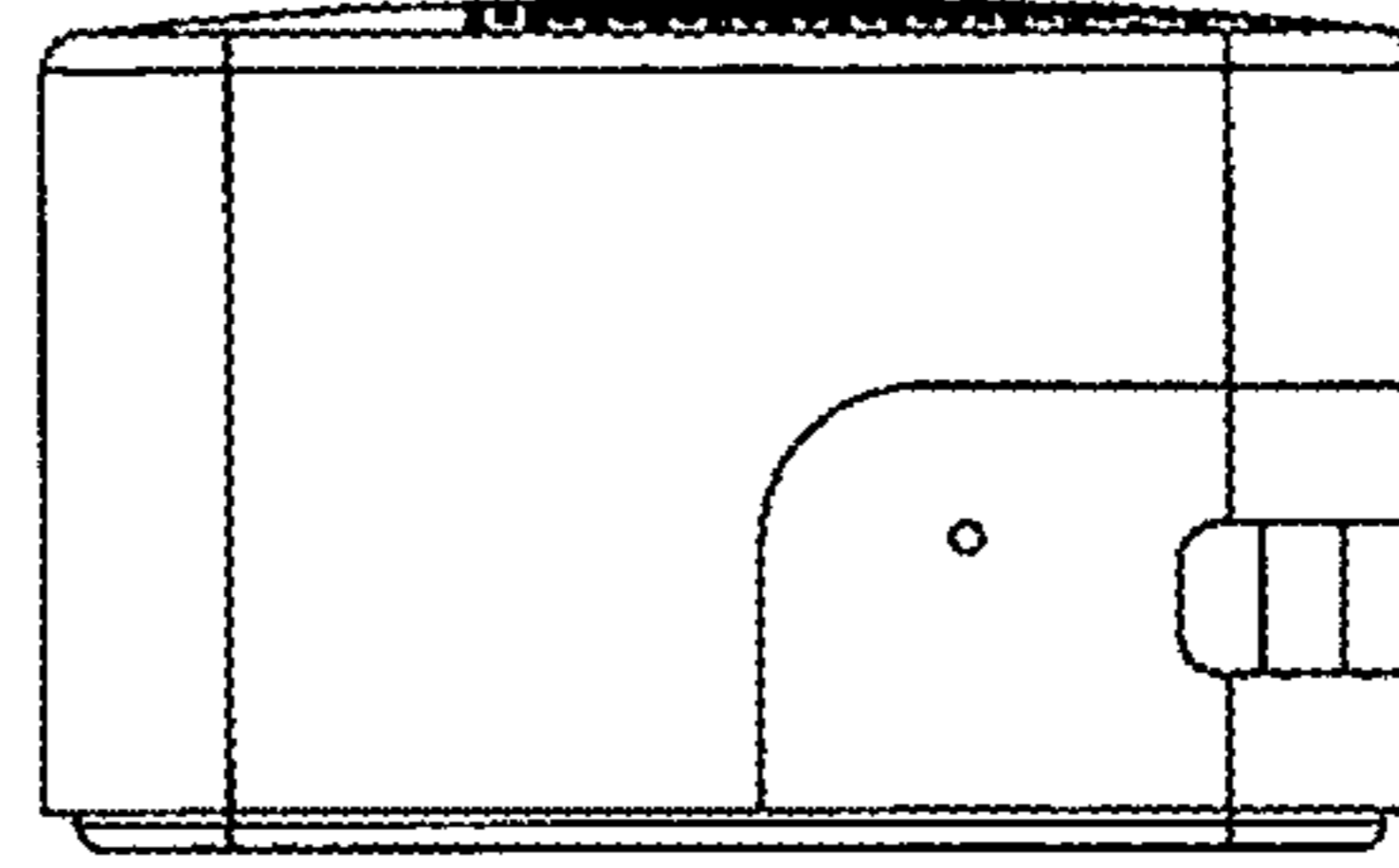


FIG.3

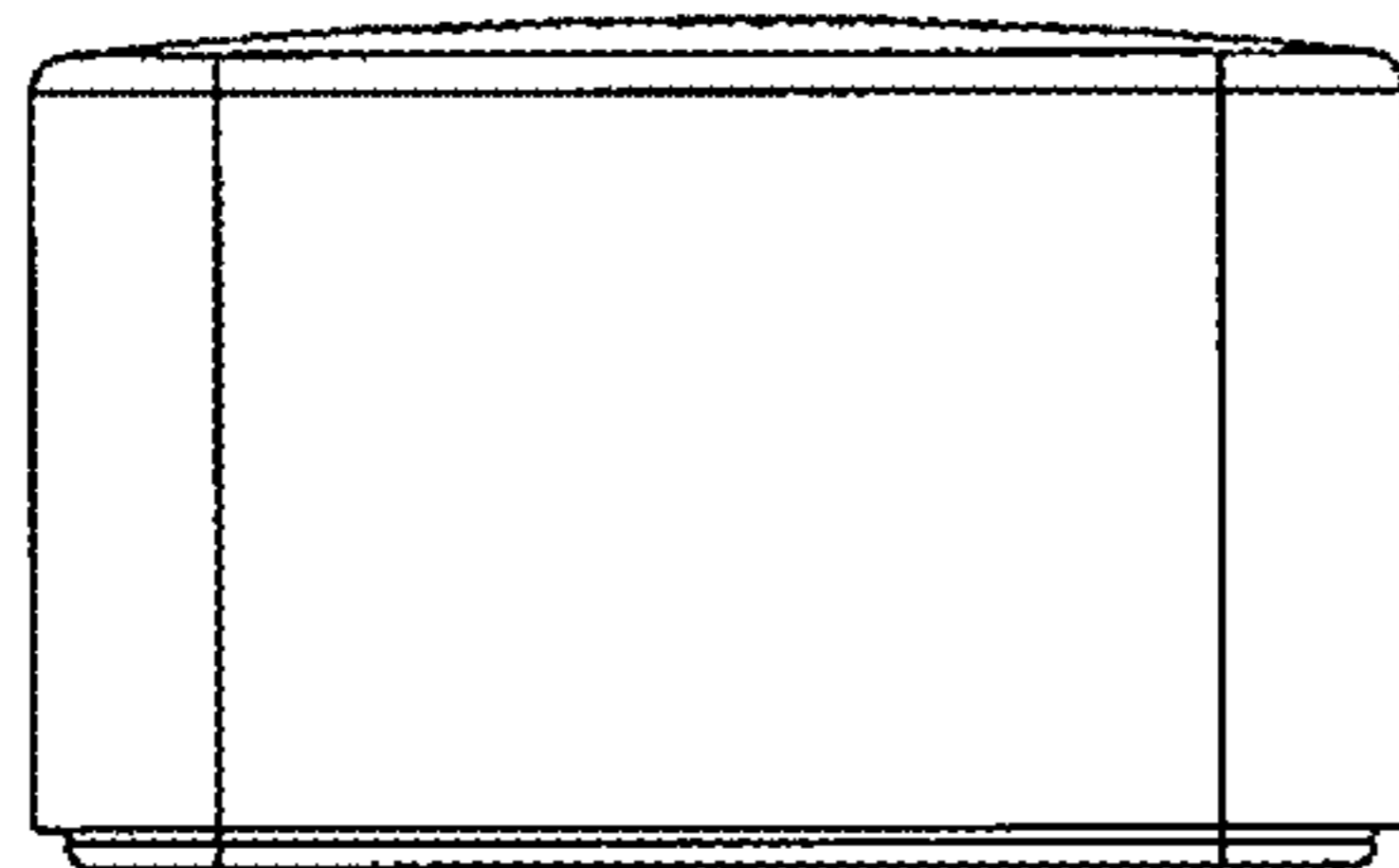


FIG.4

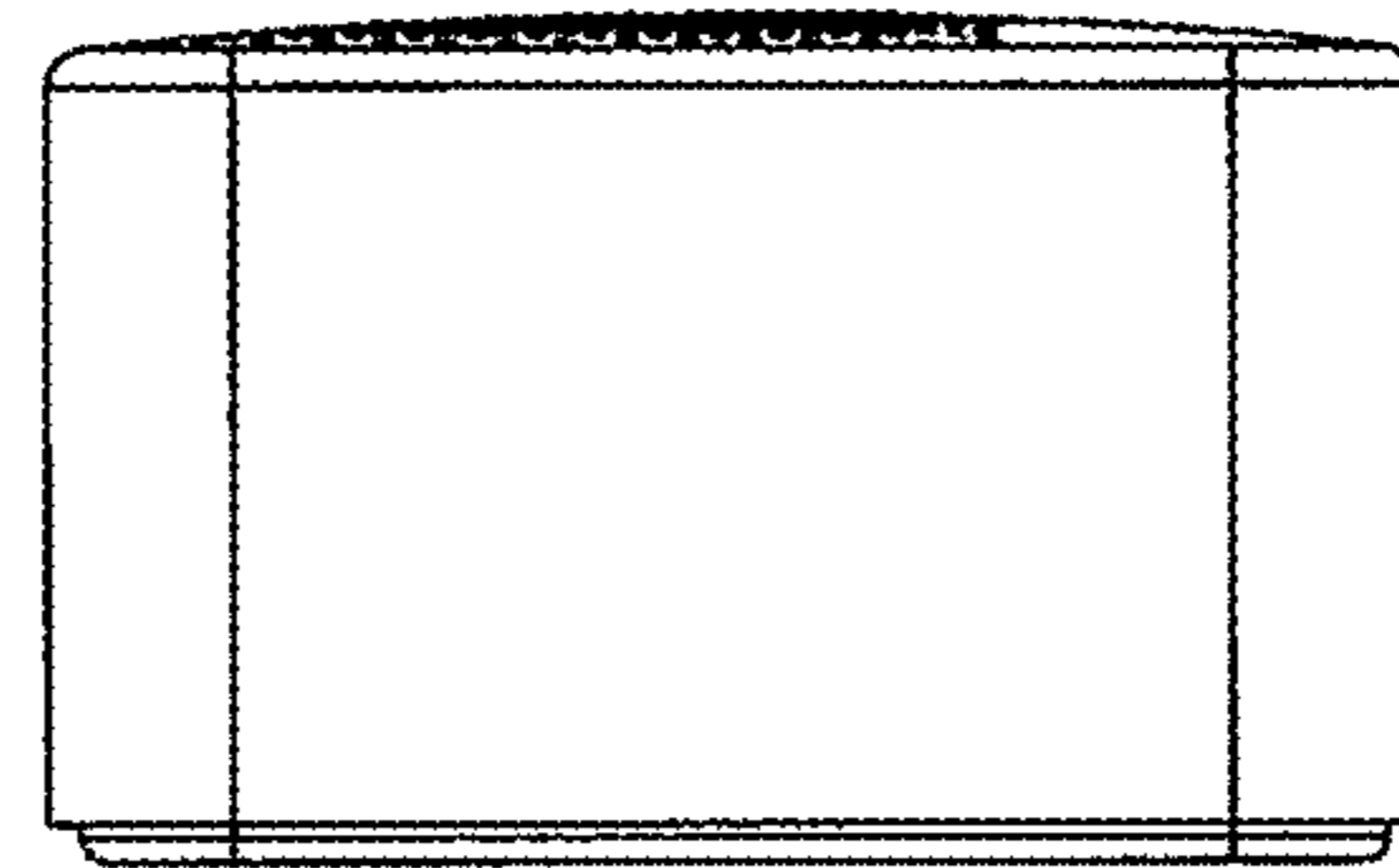


FIG.5

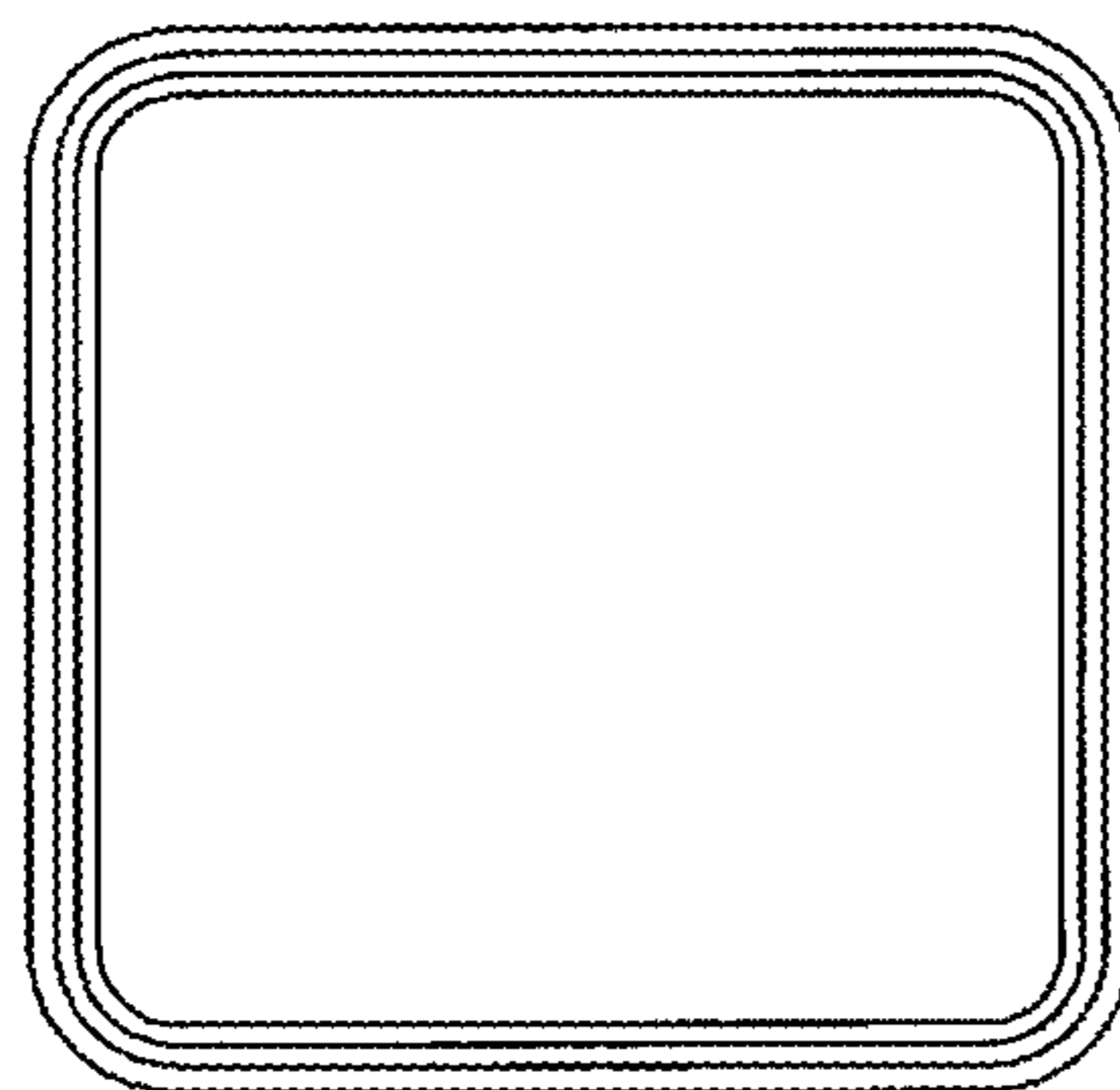


FIG.6

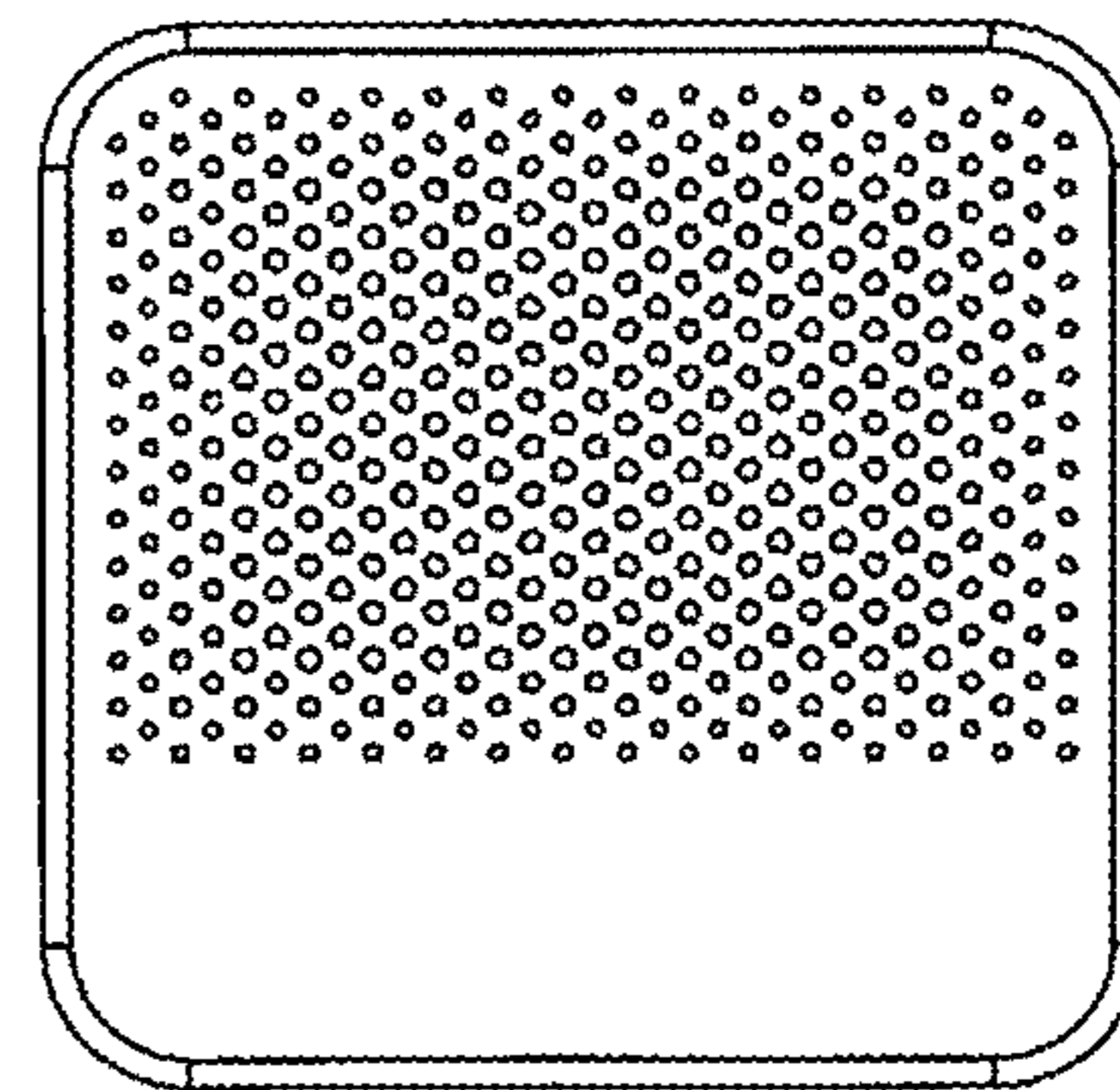


FIG.7

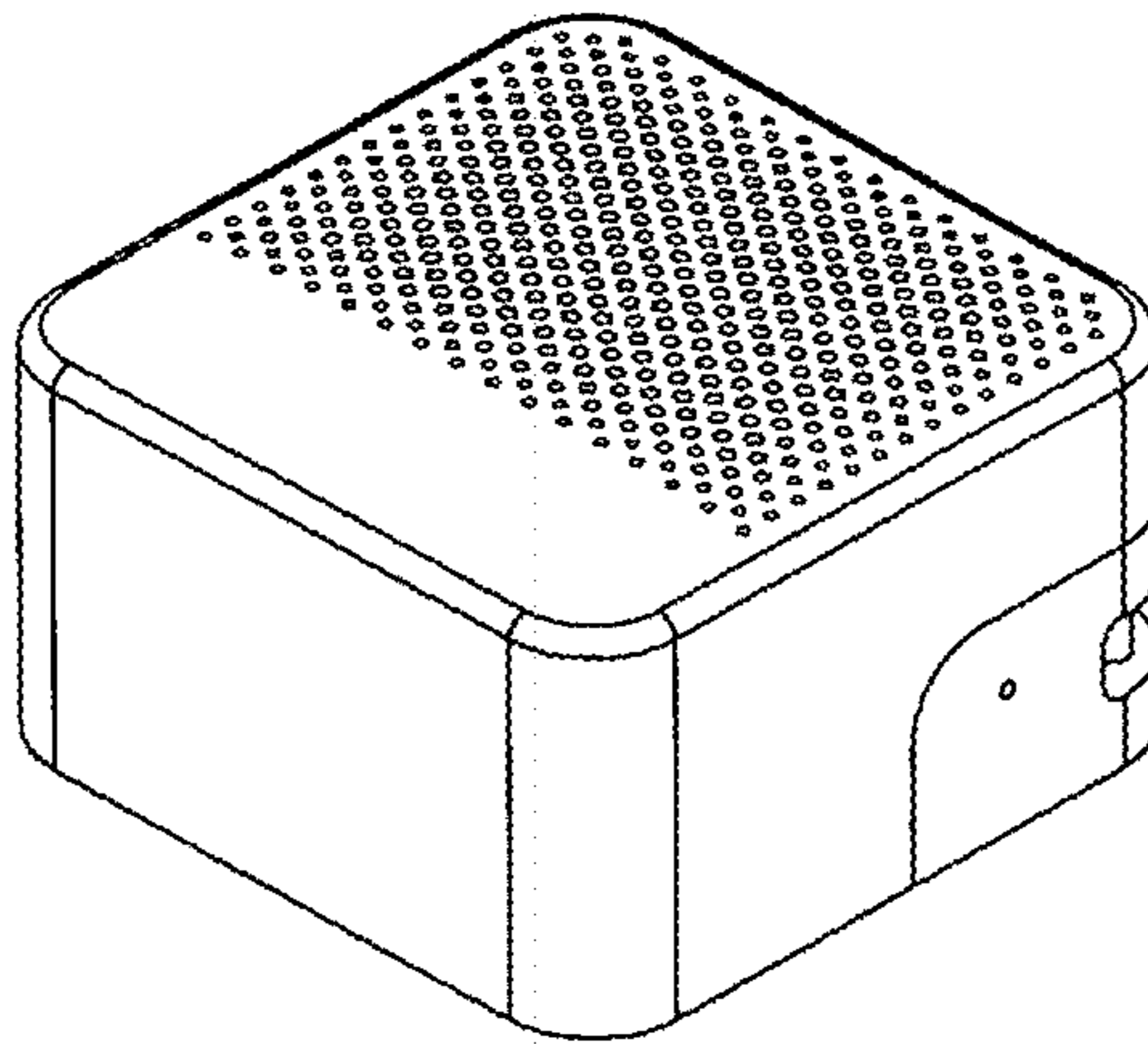


FIG.8

