



US00D873239S

(12) **United States Design Patent**
Zeng

(10) **Patent No.:** **US D873,239 S**

(45) **Date of Patent:** **** Jan. 21, 2020**

(54) **WIRELESS SPEAKER**

(71) Applicant: **Shenzhen Airmart Technology Co., Ltd**, Shenzhen, Guangdong (CN)

(72) Inventor: **Dejun Zeng**, Guangdong (CN)

(73) Assignee: **Shenzhen Airmart Technology Co., Ltd**, Shenzhen (CN)

(**) Term: **15 Years**

(21) Appl. No.: **29/664,663**

(22) Filed: **Sep. 27, 2018**

(30) **Foreign Application Priority Data**

Jun. 28, 2018 (CN) 2018 3 0339284

(51) **LOC (12) Cl.** **14-01**

(52) **U.S. Cl.**
USPC **D14/207**

(58) **Field of Classification Search**
USPC D14/167, 168, 170–172, 188, 194–196,
D14/204, 209.1, 210–216, 219, 221, 222,
D14/224, 239, 496, 169, 175, 180, 184,
D14/189, 207

CPC B60R 11/0217; G06F 1/1688; G10K 9/22;
G10K 11/004; H03F 1/327; H04M 1/03;
H04M 1/035; H04N 5/642; H04N
21/4852; H04R 1/02; H04R 1/06; H04R
1/021; H04R 1/025; H04R 1/026; H04R
1/028; H04R 1/105; H04R 1/323; H04R
1/403; H04R 1/2803; H04R 1/2834;
H04R 5/02; H04R 7/20; H04R 9/06;
H04R 9/025; H04R 2201/021; H04R
2400/00; H04R 2400/07; H04R 2499/11;
H04R 2499/13; H04R 2499/15; H04S
3/00; H04S 7/30

See application file for complete search history.

(56) **References Cited**

U.S. PATENT DOCUMENTS

D256,237 S * 8/1980 Vong D10/2
D301,876 S * 6/1989 Wilke D14/190

D313,021 S * 12/1990 Ehrmann D14/195
D480,381 S * 10/2003 Harris D14/188
D512,706 S * 12/2005 Nakane D14/168
D519,102 S * 4/2006 Liu D14/203
D583,798 S * 12/2008 Iijima D14/168
D615,555 S * 5/2010 Ho D14/203.1
D692,848 S * 11/2013 Poandl D14/172
D707,651 S * 6/2014 Tsai D14/191
D808,922 S * 1/2018 Waterman D14/203

OTHER PUBLICATIONS

ApolloBox.com; “Mini Record Player Speaker”; ‘https://www.theapollobox.com/product/sku520504/mini-record-player-speaker’; accessed Sep. 30, 2019; 1p. (Year: 2019).*

* cited by examiner

Primary Examiner — Keli L Hill

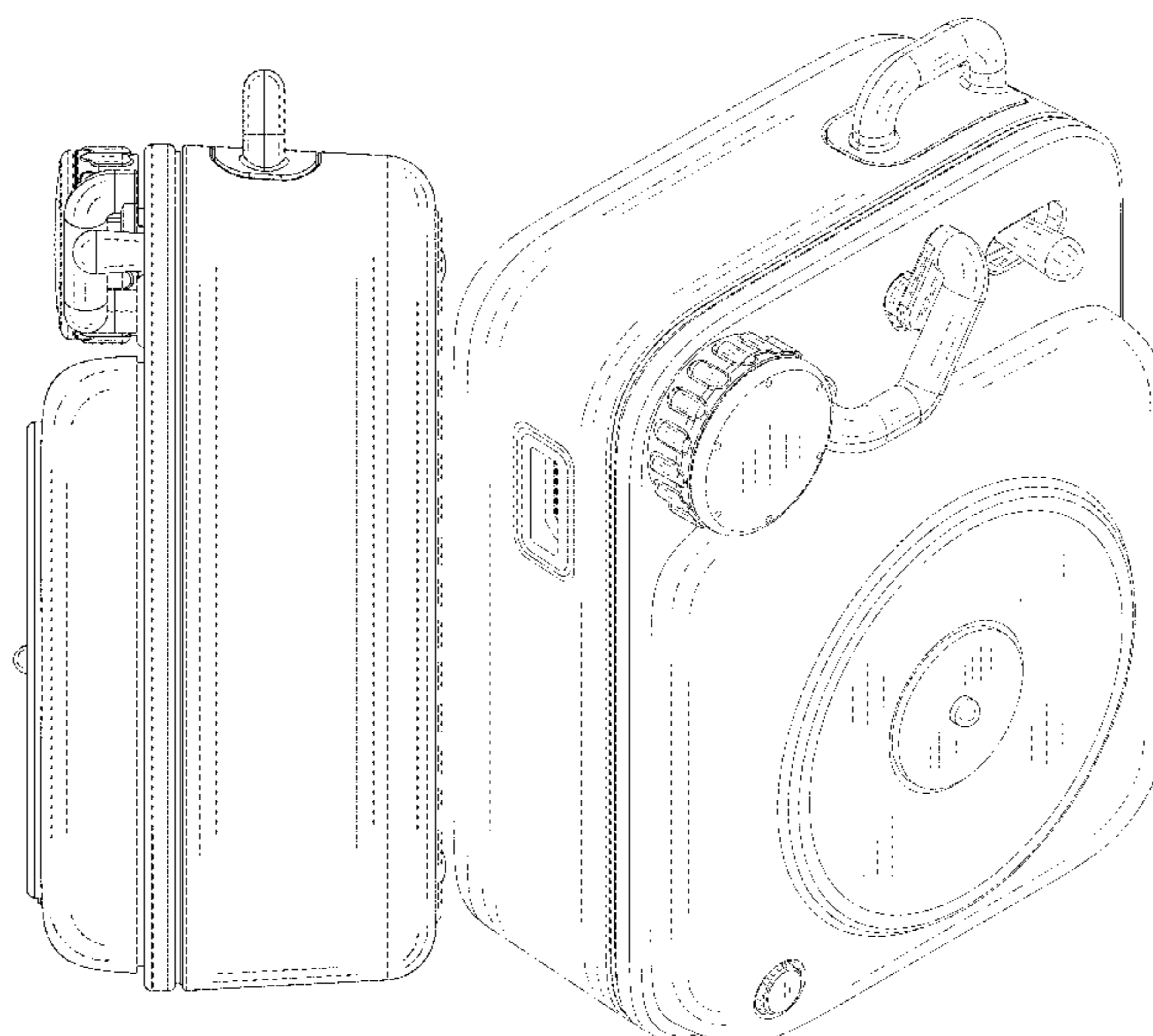
(57) **CLAIM**

The ornamental design for a wireless speaker, as shown and described.

DESCRIPTION

FIG. 1 is a front elevational view of a wireless speaker showing my new design;
FIG. 2 is a rear elevational view thereof;
FIG. 3 is a left side view thereof;
FIG. 4 is a right side view thereof;
FIG. 5 is a top plan view thereof;
FIG. 6 is a bottom plan view thereof;
FIG. 7 is a top, front and left side perspective view thereof; and,
FIG. 8 is a bottom, front and right side perspective view thereof.
The broken lines in the drawings illustrate portions of the wireless speaker which form no part of the claimed design.

1 Claim, 8 Drawing Sheets



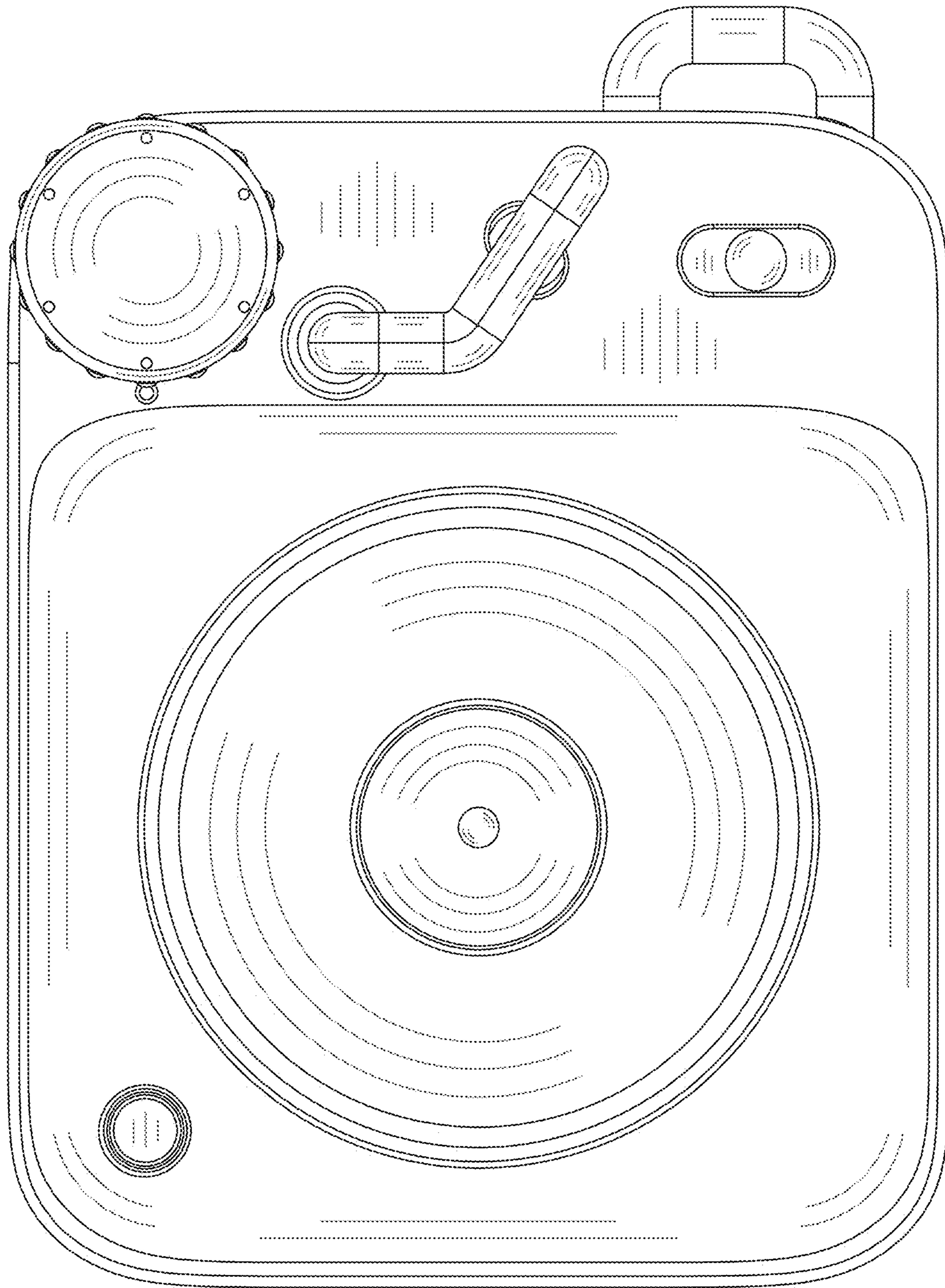


Fig. 1

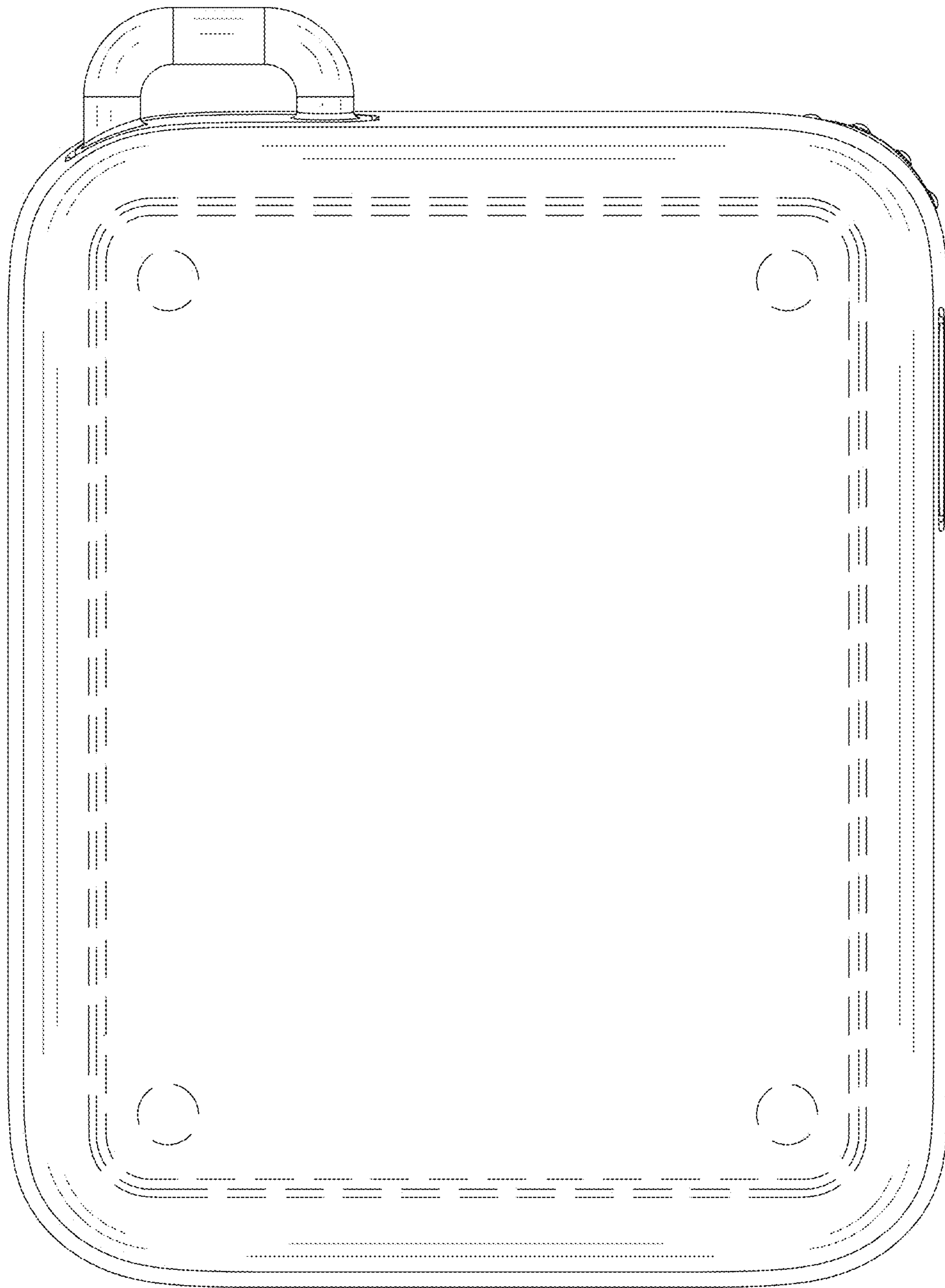


Fig.2

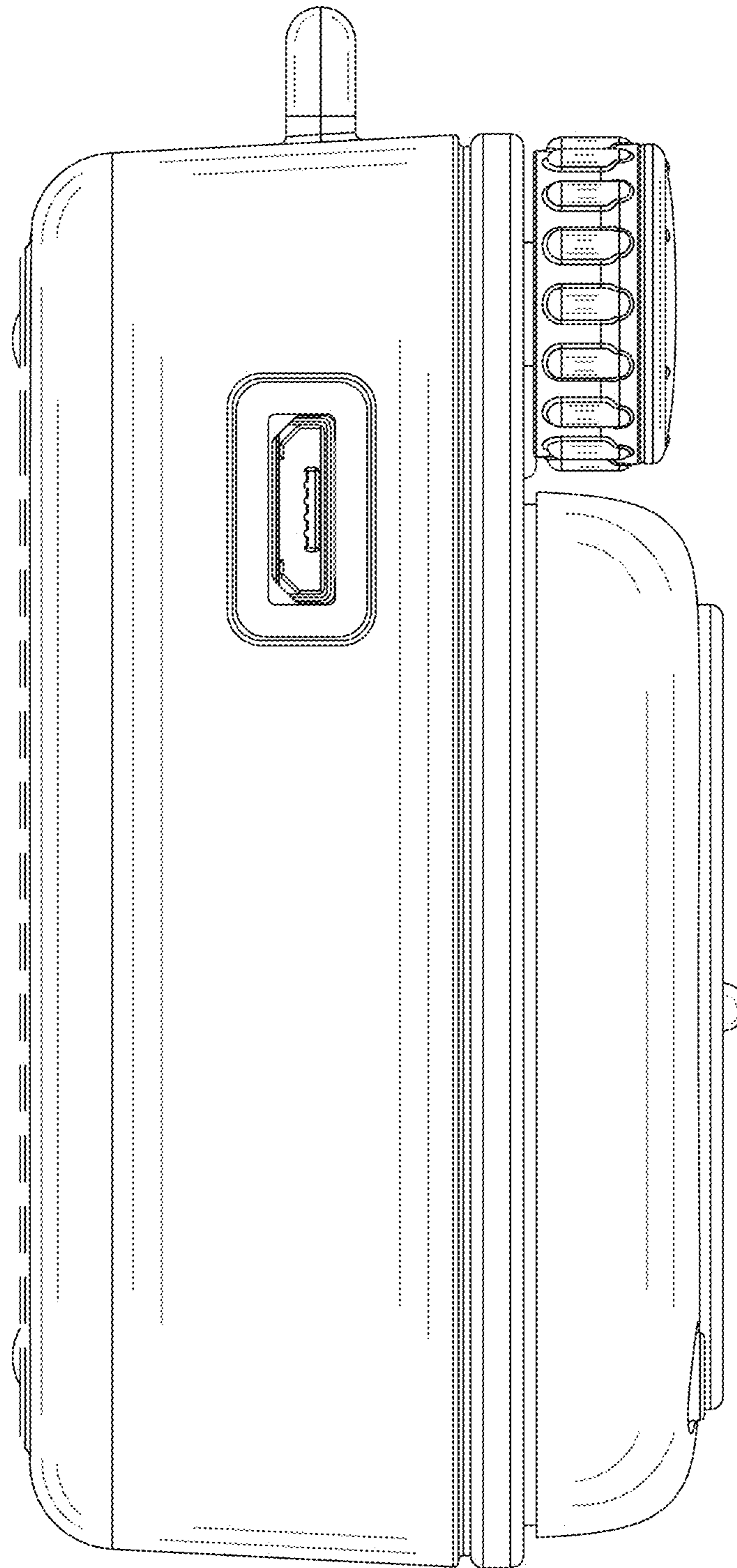


Fig.3

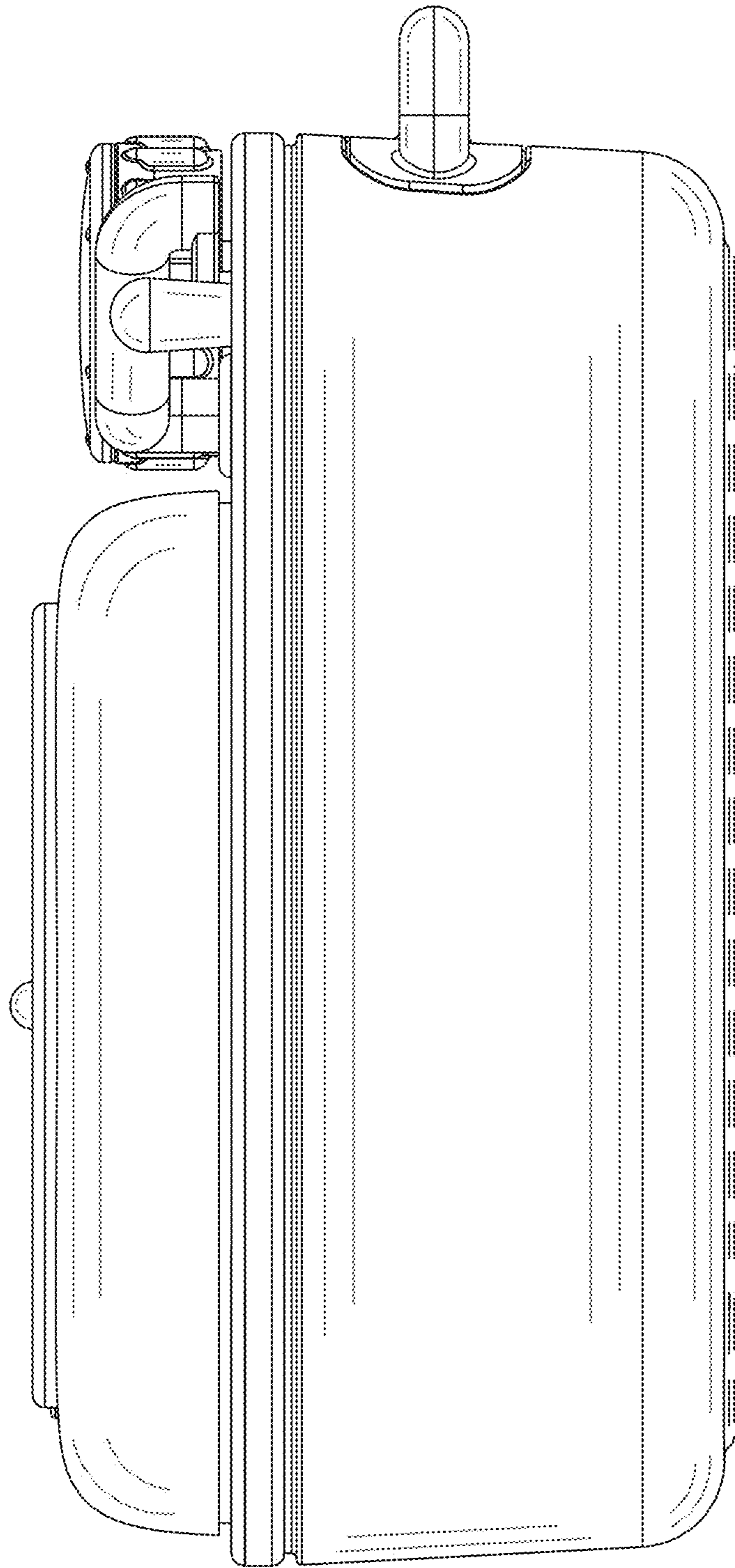


Fig.4

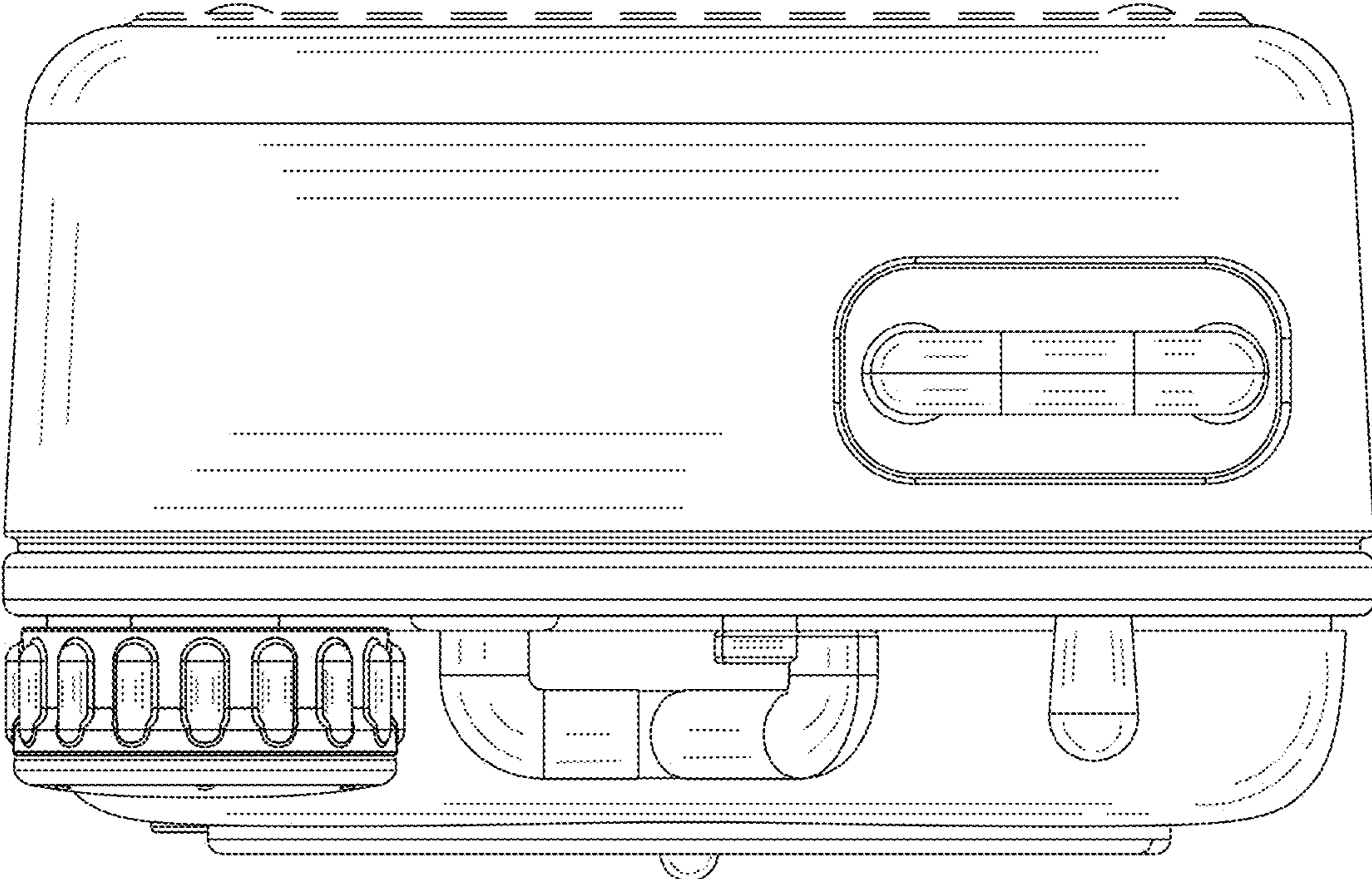


Fig.5

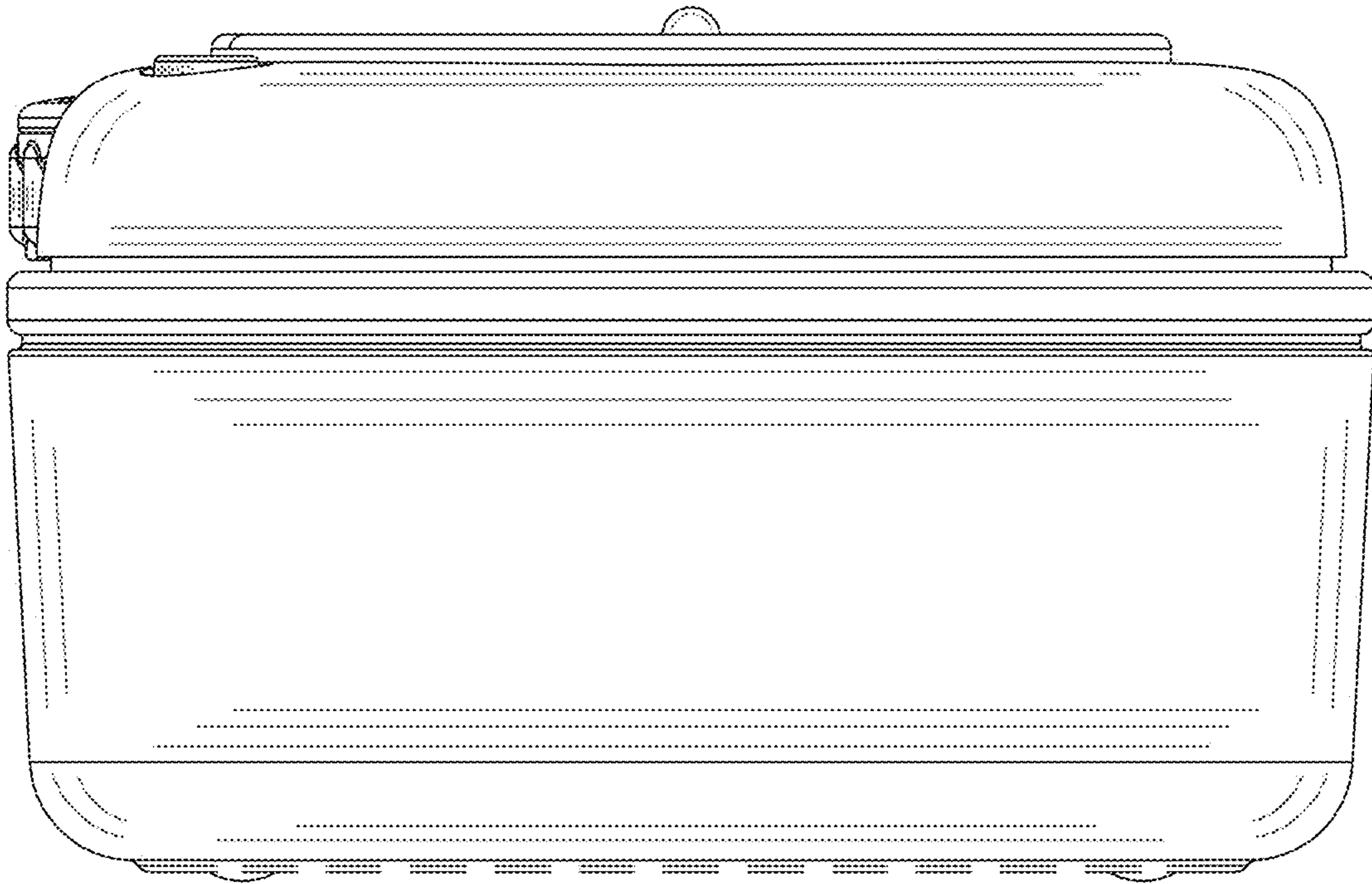


Fig.6

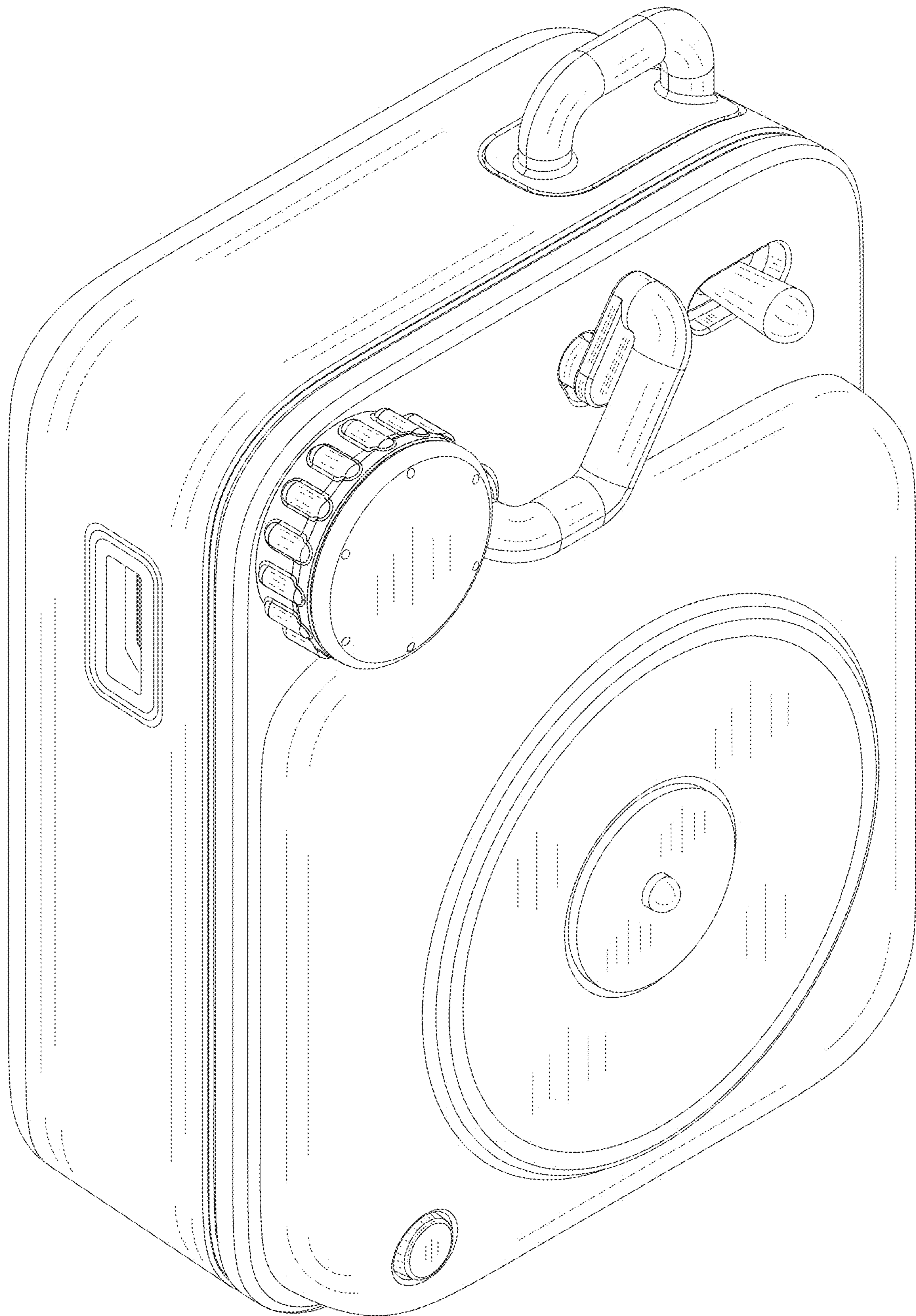


Fig.7

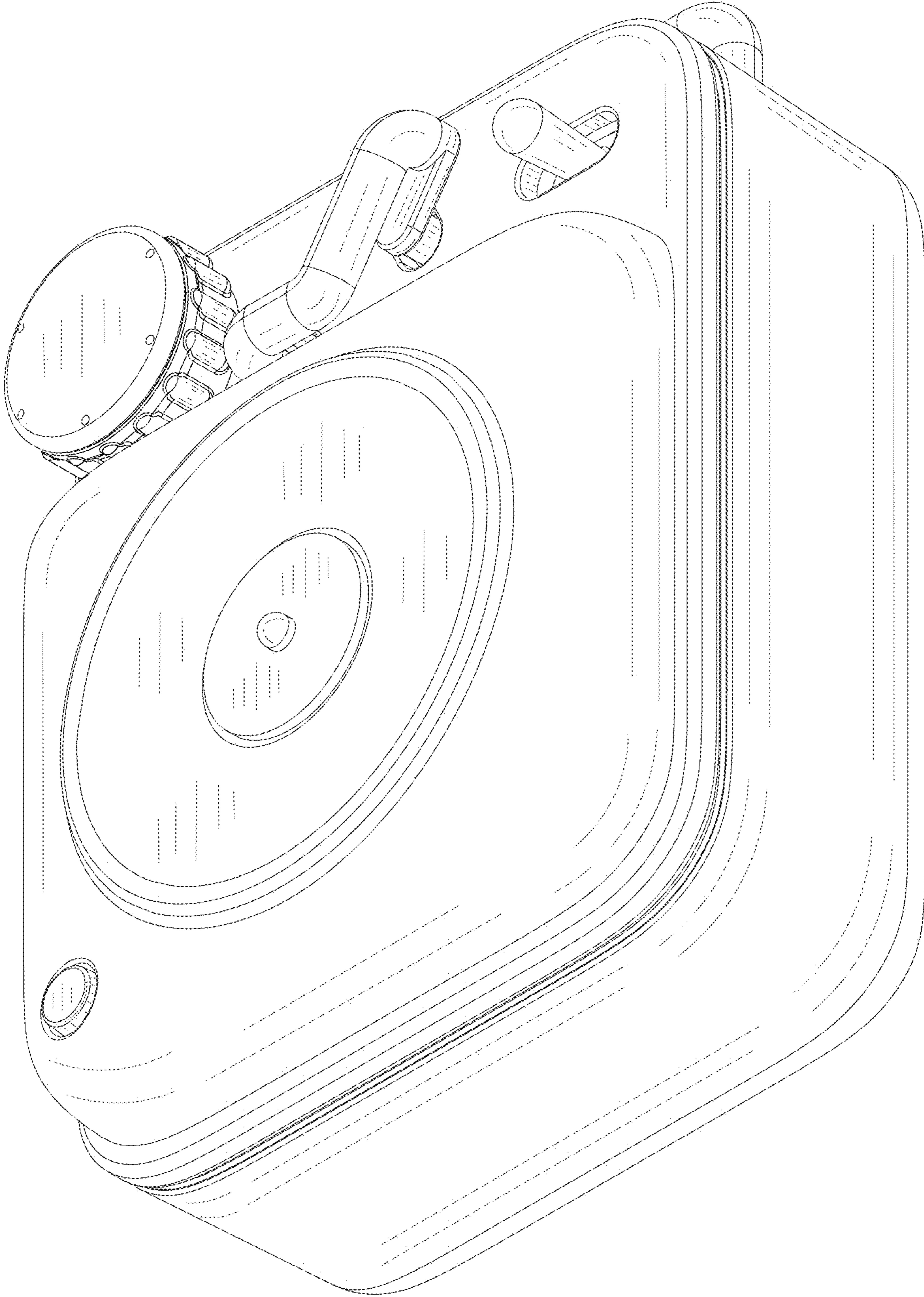


Fig.8