



US00D873236S

(12) **United States Design Patent**  
**Yan**

(10) **Patent No.:** **US D873,236 S**

(45) **Date of Patent:** **\*\* Jan. 21, 2020**

(54) **TURNTABLE**

(71) Applicant: **Doudou Yan**, Guangdong (CN)

(72) Inventor: **Doudou Yan**, Guangdong (CN)

(\*\*) Term: **15 Years**

(21) Appl. No.: **29/674,165**

(22) Filed: **Dec. 19, 2018**

(51) **LOC (12) Cl.** ..... **14-01**

(52) **U.S. Cl.**  
USPC ..... **D14/202; D14/203**

(58) **Field of Classification Search**

USPC ..... D14/199–203, 261; 369/264–265  
CPC ..... B60R 11/02; B60K 37/04; B60K 37/06;  
H04B 1/08; H04B 1/082; G11B 17/16;  
G11B 23/00; G11B 19/16; G11B 3/46;  
G11B 33/02

See application file for complete search history.

(56) **References Cited**

**U.S. PATENT DOCUMENTS**

D220,368 S \* 3/1971 Levow ..... D14/203  
D226,452 S \* 3/1973 Yazawa ..... D14/202

D241,574 S \* 9/1976 Mukai et al. .... D14/202  
D247,488 S \* 3/1978 Ohtomo ..... D14/202  
D249,143 S \* 8/1978 Ohtomo ..... D14/203  
D803,182 S \* 11/2017 Czaniecki ..... D14/203  
D810,716 S \* 2/2018 Yang ..... D14/203  
D845,268 S \* 4/2019 He ..... D14/202

\* cited by examiner

*Primary Examiner* — Sandra L Morris

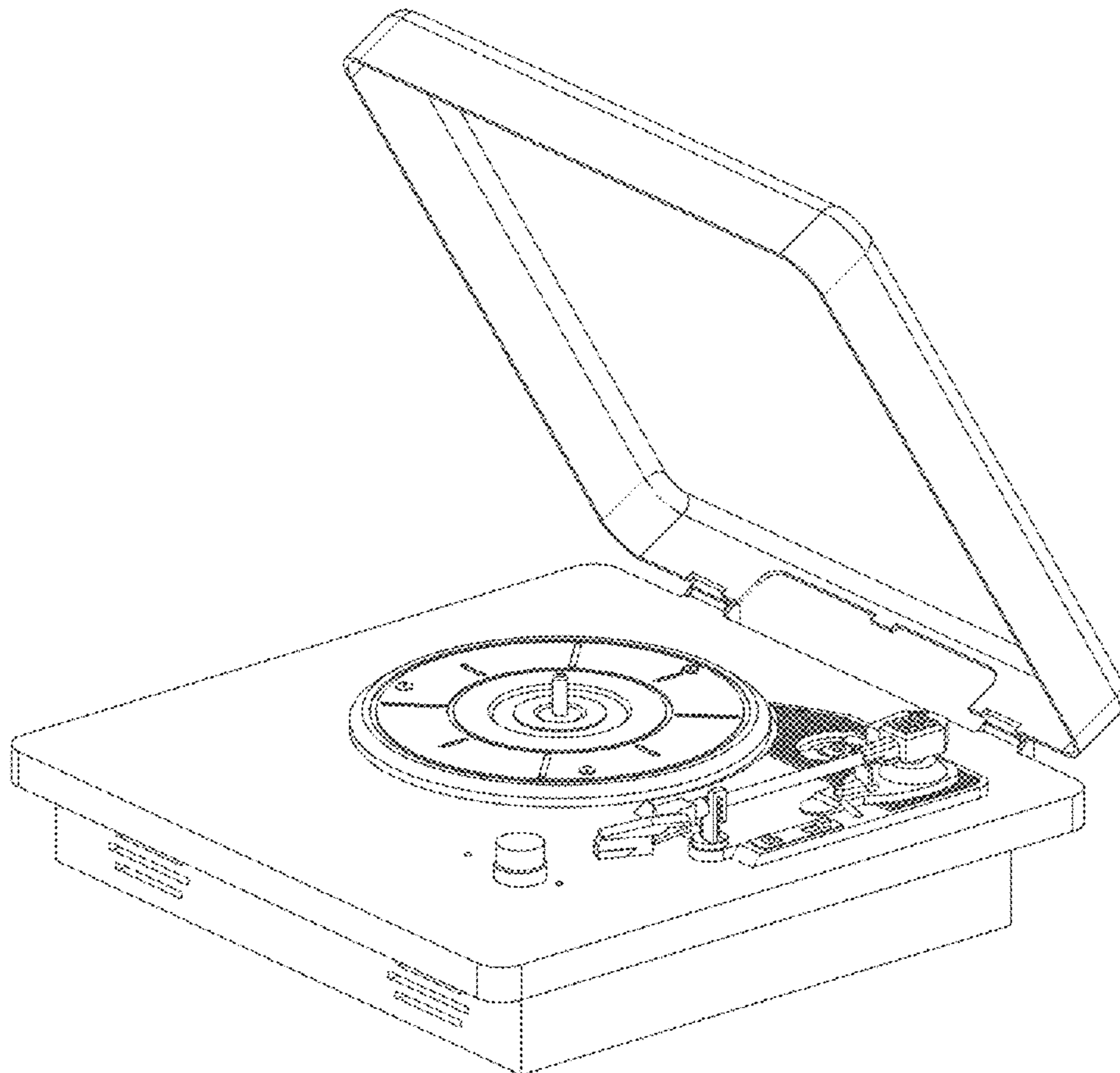
(57) **CLAIM**

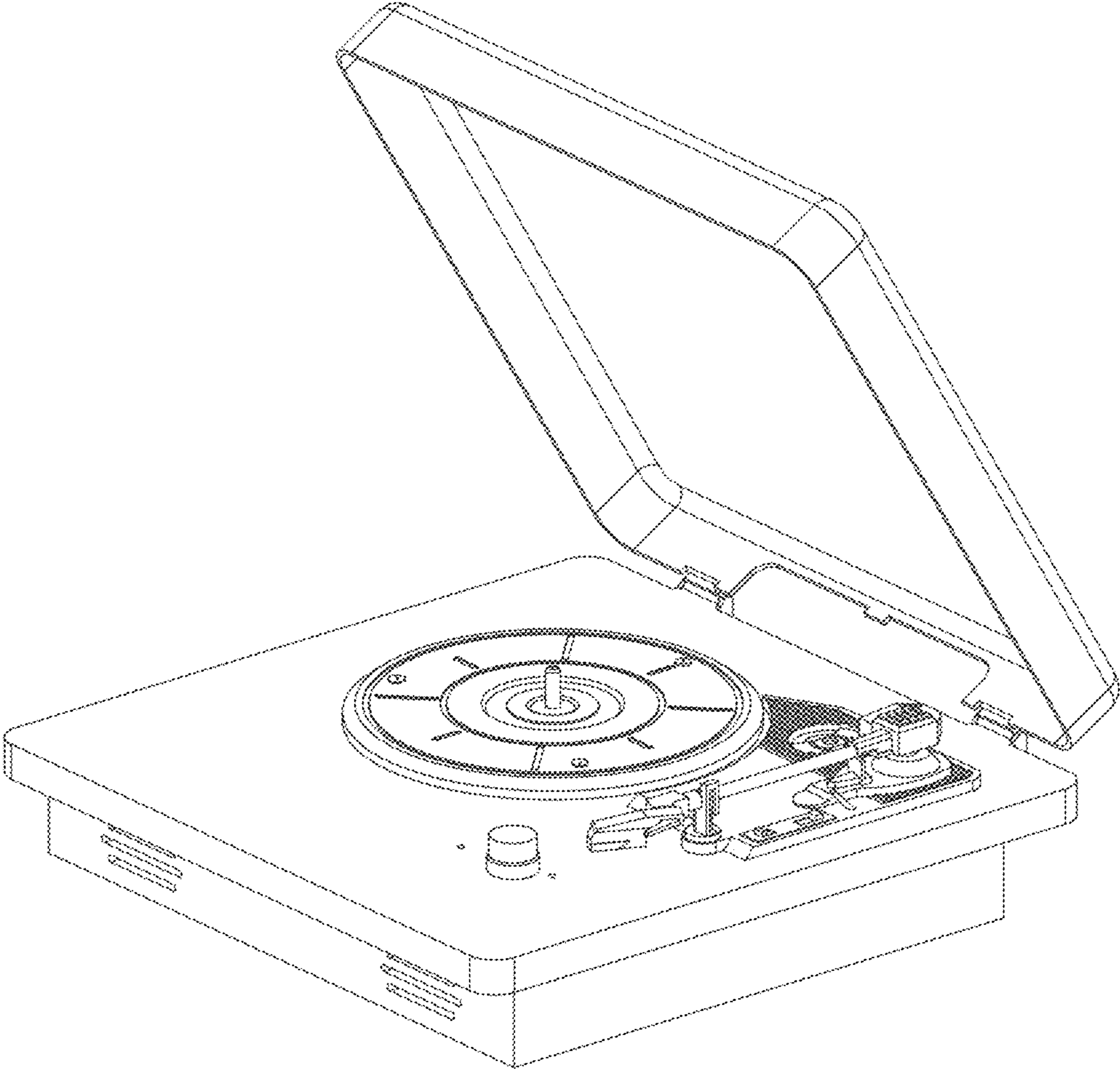
The ornamental design for a turntable, as shown and described.

**DESCRIPTION**

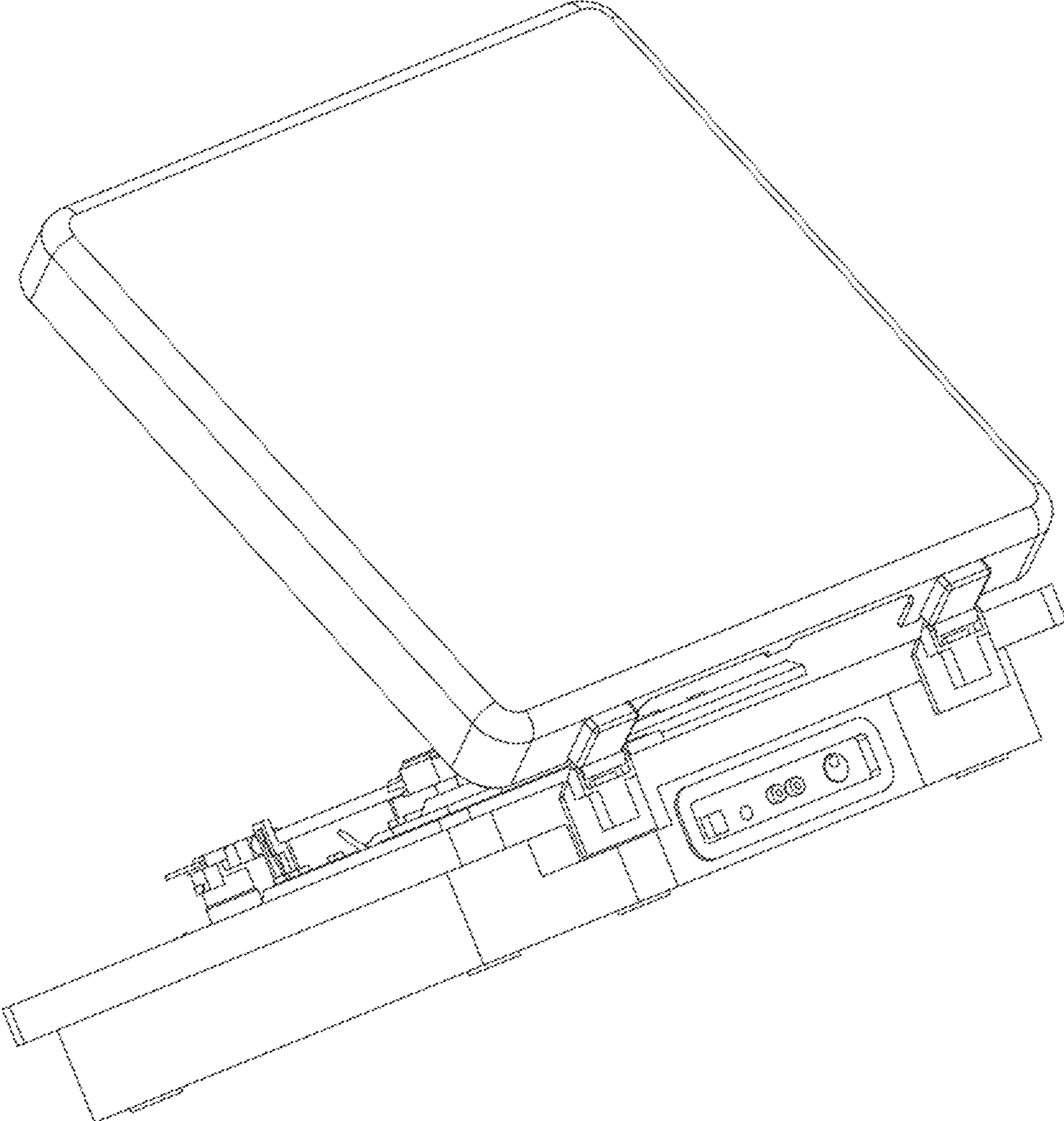
FIG. 1 is a perspective view of a turntable showing my new design;  
FIG. 2 is a perspective view of a turntable showing my new design;  
FIG. 3 is a top plan view thereof;  
FIG. 4 is a rear elevational view thereof;  
FIG. 5 is a bottom plan view thereof;  
FIG. 6 is a right side view thereof;  
FIG. 7 is a front elevational view thereof; and,  
FIG. 8 is a left side view thereof.

**1 Claim, 8 Drawing Sheets**

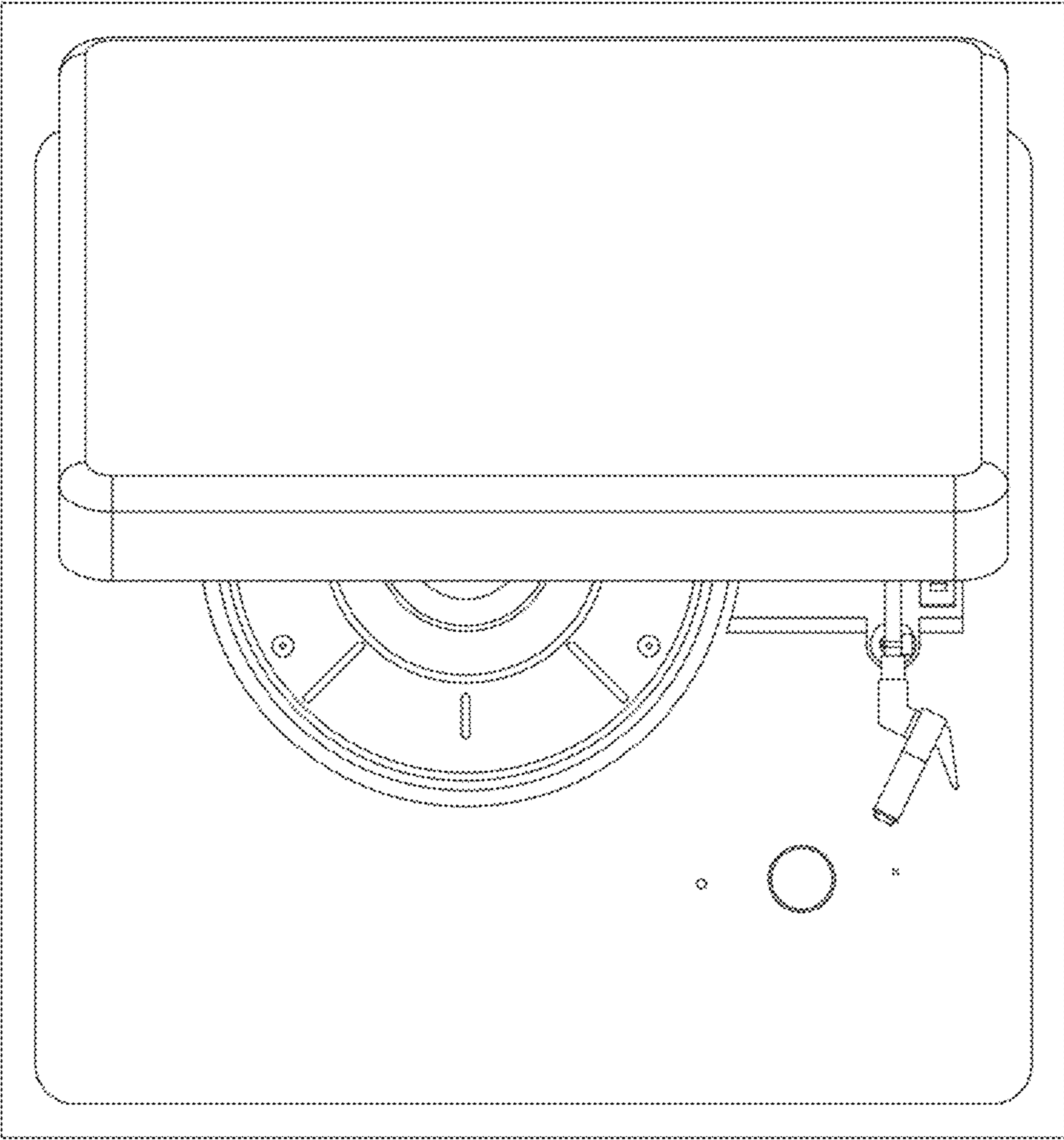




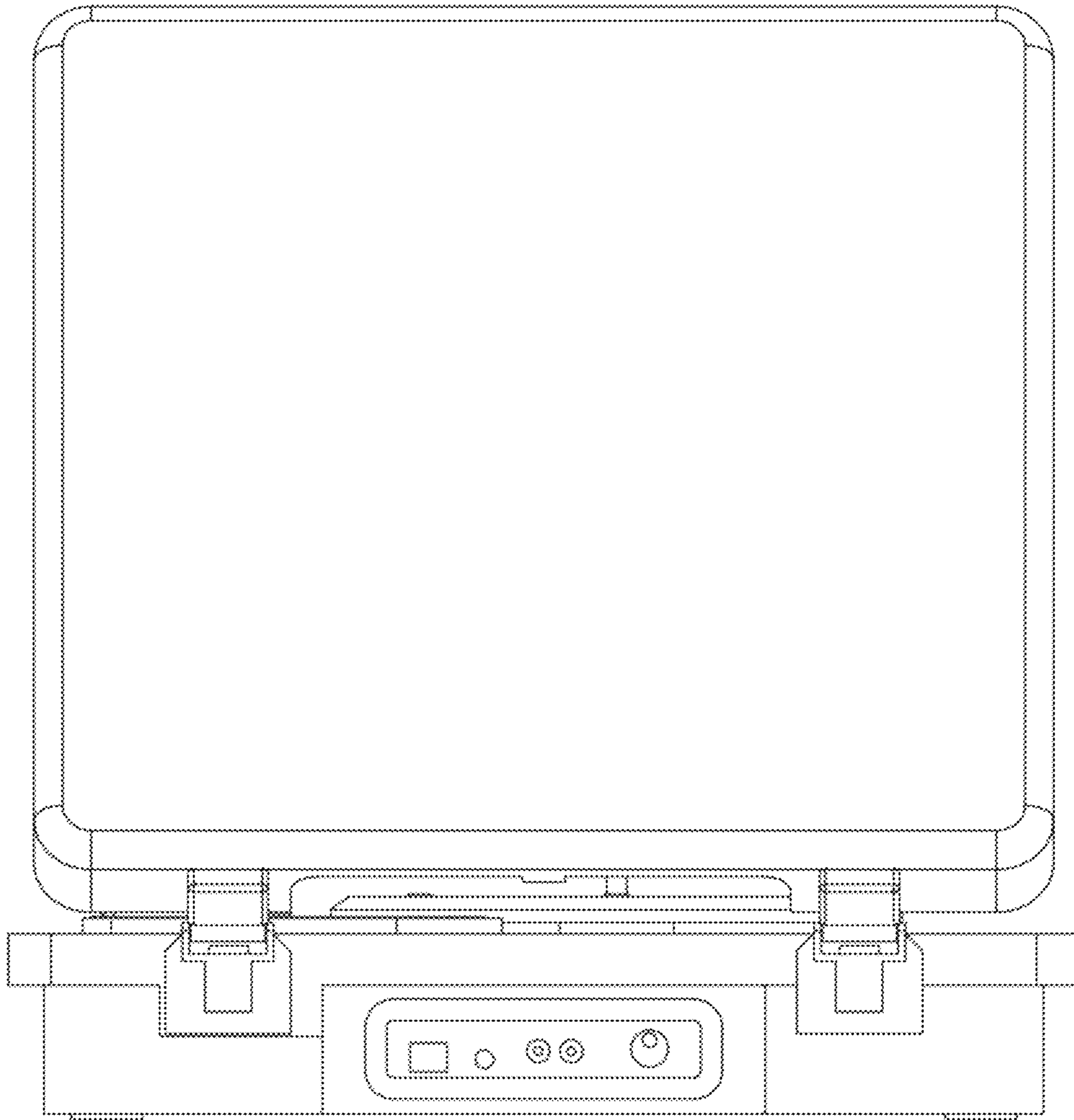
**FIG.1**



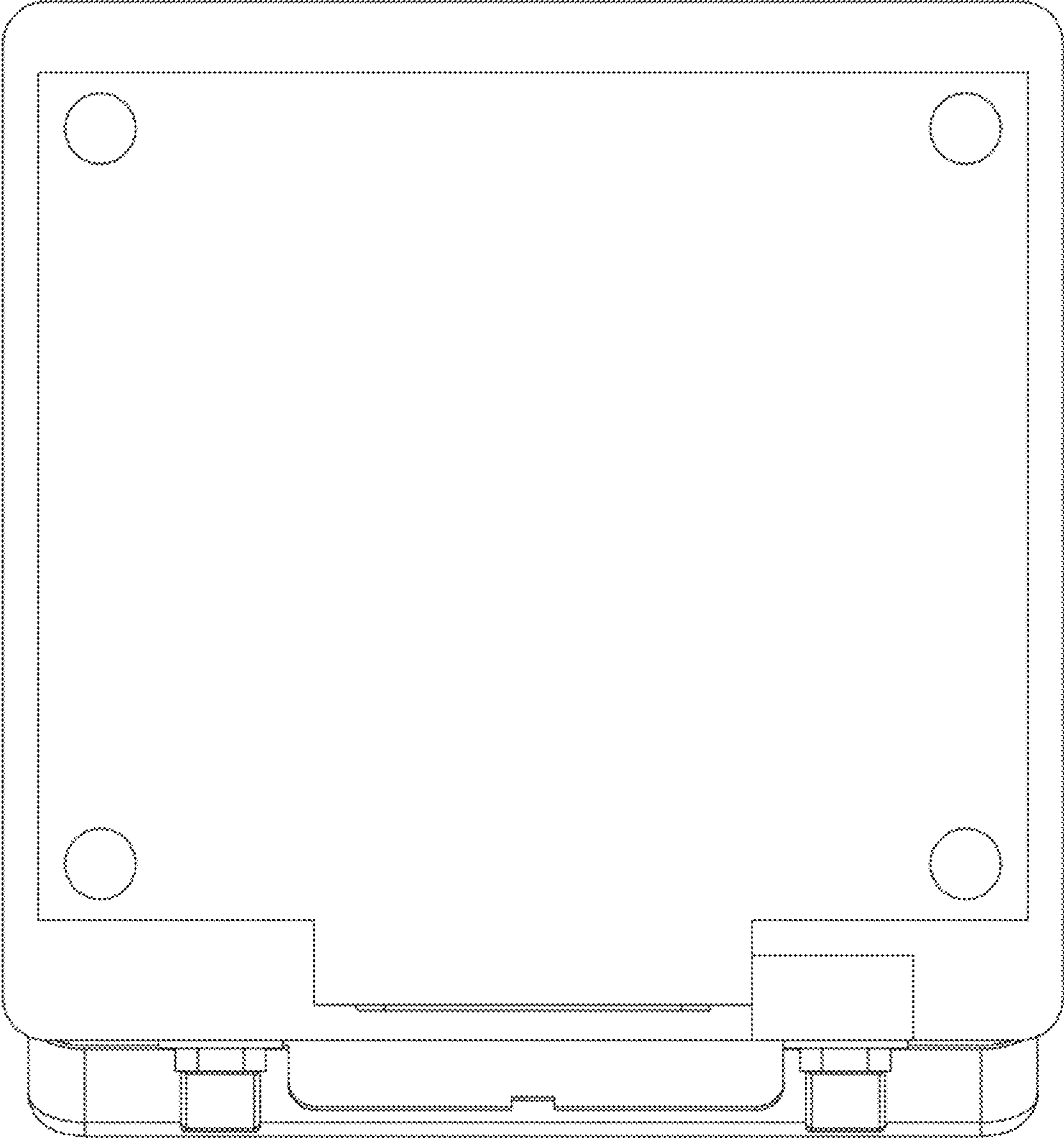
**FIG.2**



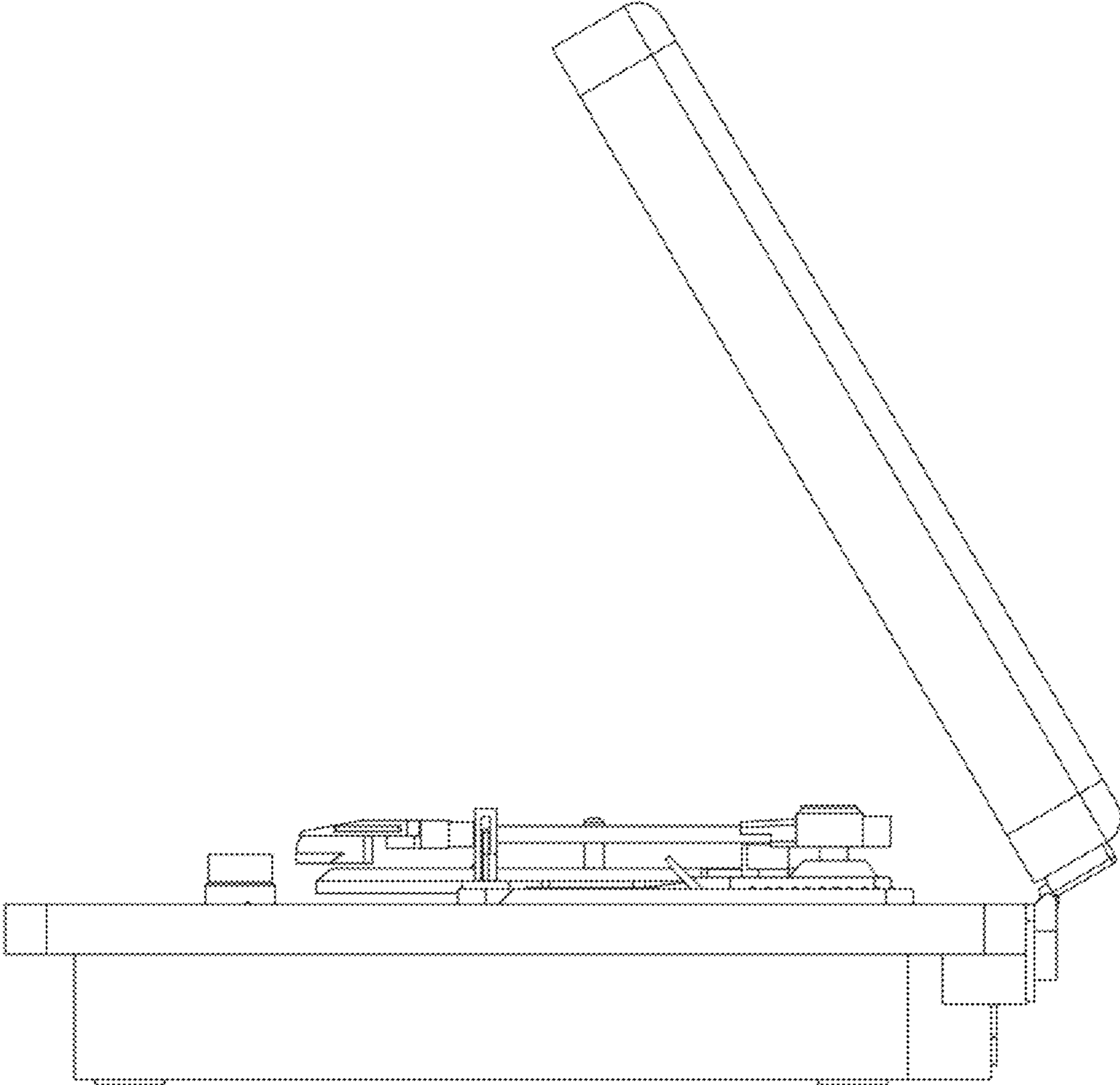
**FIG.3**



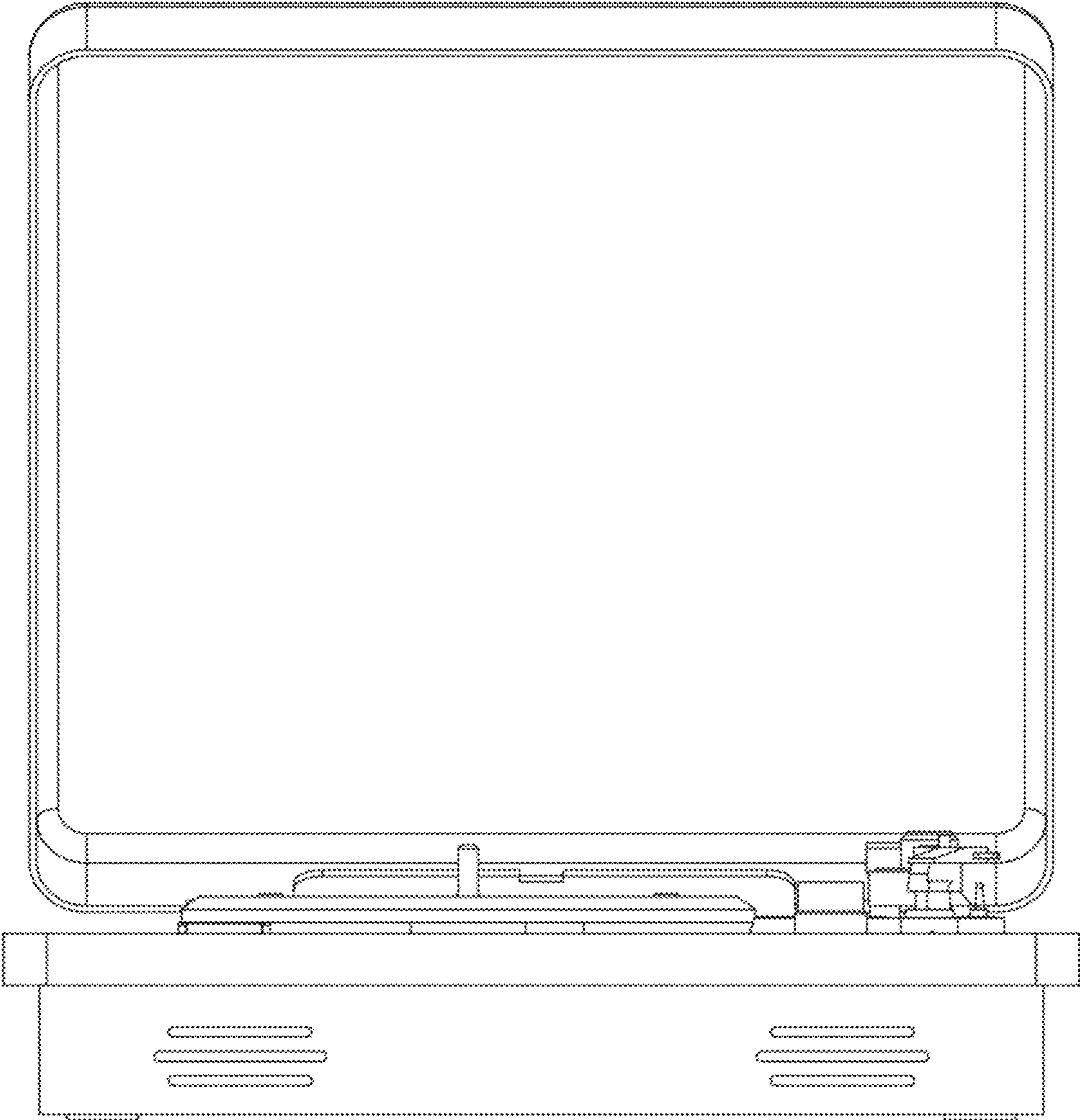
**FIG.4**



**FIG.5**



**FIG.6**



**FIG.7**



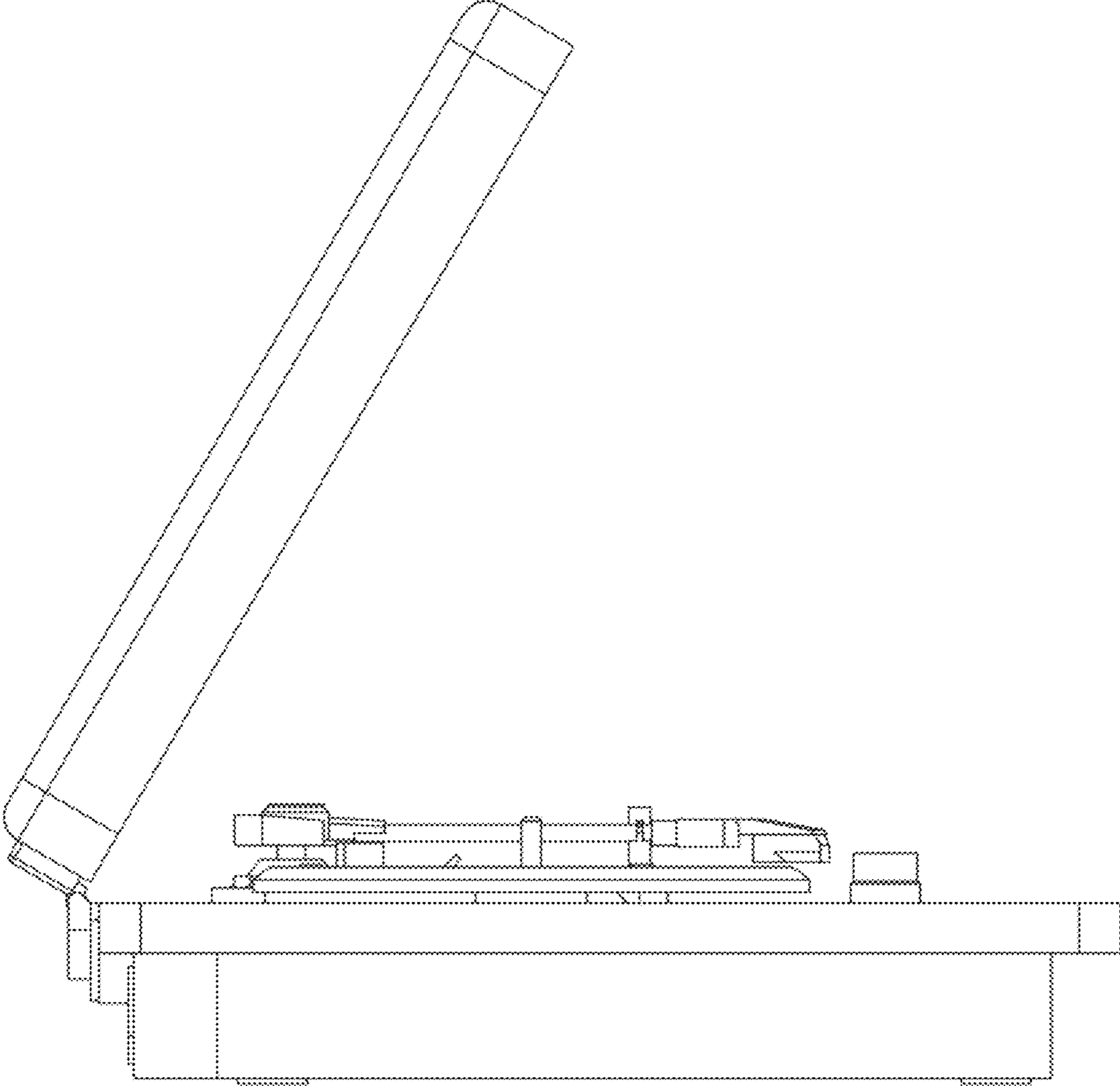


FIG.8