



US00D873235S

(12) **United States Design Patent**  
**Wang**

(10) **Patent No.:** **US D873,235 S**

(45) **Date of Patent:** **\*\* Jan. 21, 2020**

(54) **RECORD PLAYER**

(71) Applicant: **Xin Wang**, Huanggang (CN)

(72) Inventor: **Xin Wang**, Huanggang (CN)

(\*\*) Term: **15 Years**

(21) Appl. No.: **29/672,481**

(22) Filed: **Dec. 6, 2018**

(51) **LOC (12) Cl.** ..... **14-01**

(52) **U.S. Cl.**  
USPC ..... **D14/201**; D14/203

(58) **Field of Classification Search**  
USPC ..... D14/199–203, 261; 369/264–265  
CPC ..... B60R 11/02; B60K 37/04; B60K 37/06;  
H04B 1/08; H04B 1/082; G11B 17/16;  
G11B 23/00; G11B 19/16; G11B 33/02  
See application file for complete search history.

(56) **References Cited**

**U.S. PATENT DOCUMENTS**

2,556,421	A *	6/1951	Gee, Jr. ....	G11B 33/027 369/78
2,923,370	A *	2/1960	De Capite .....	H04R 5/02 D14/201
D198,937	S *	8/1964	Kitts .....	D14/201
D200,804	S *	4/1965	Brown .....	D14/203
D201,206	S *	5/1965	Funk .....	D14/201
3,268,229	A *	8/1966	Funk .....	G11B 33/02 D14/201

D207,348	S *	4/1967	Kitts .....	D14/201
D229,574	S *	12/1973	Martin .....	D14/201
D230,508	S *	2/1974	Iida .....	D14/203
D234,315	S *	2/1975	Mansfield .....	D14/203
D238,394	S *	1/1976	Akazawa .....	G11B 33/02 D14/202
D241,574	S *	9/1976	Mukai et al. ....	D14/202
D247,488	S *	3/1978	Ohtomo .....	D14/202
D249,143	S *	8/1978	Ohtomo .....	D14/203
D250,333	S *	11/1978	Meunier .....	H04R 5/02 D14/203
D279,371	S *	6/1985	Arrington .....	G11B 33/027 D14/202

\* cited by examiner

*Primary Examiner* — Sandra L Morris

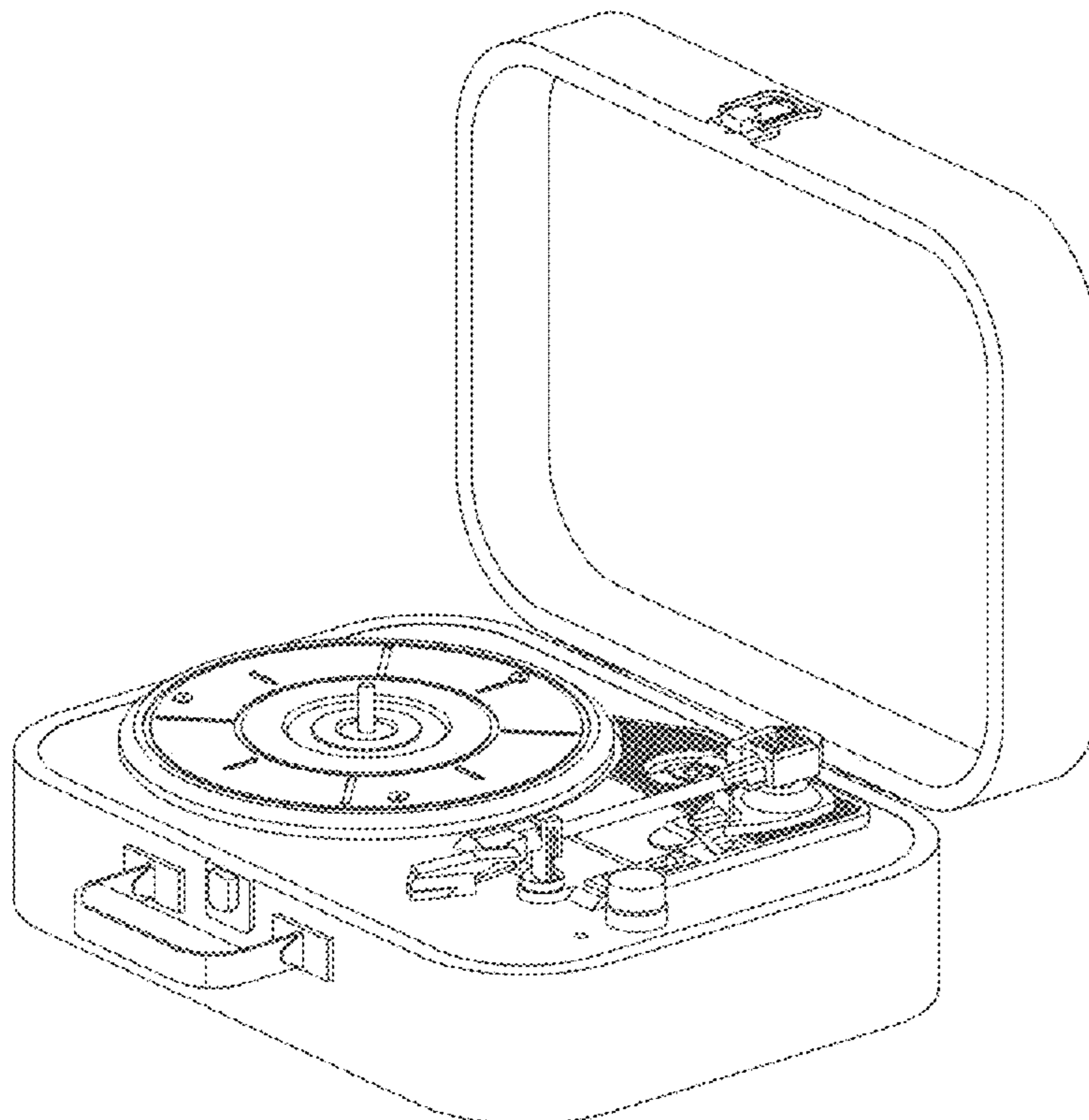
(57) **CLAIM**

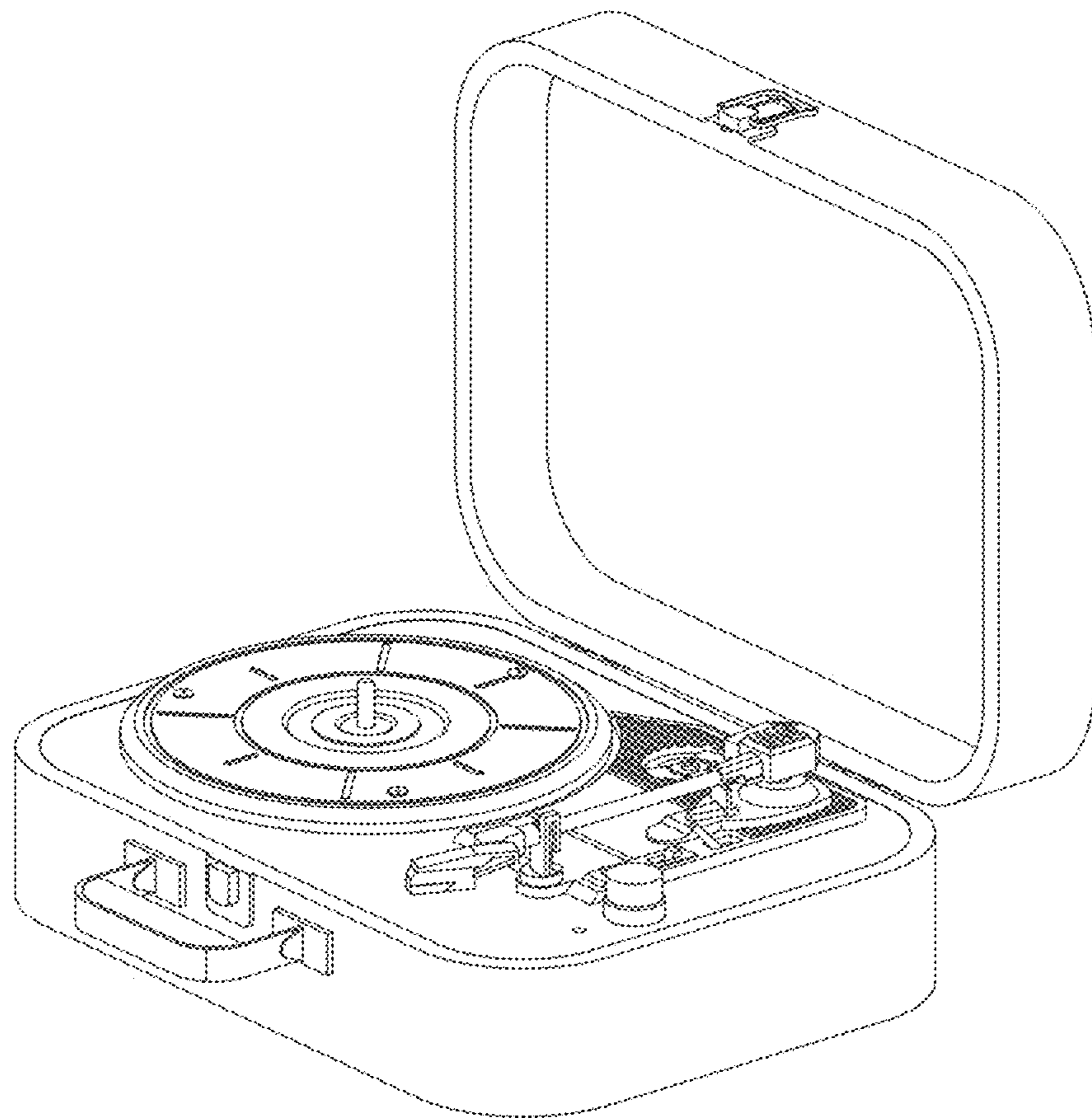
The ornamental design for a record player, as shown and described.

**DESCRIPTION**

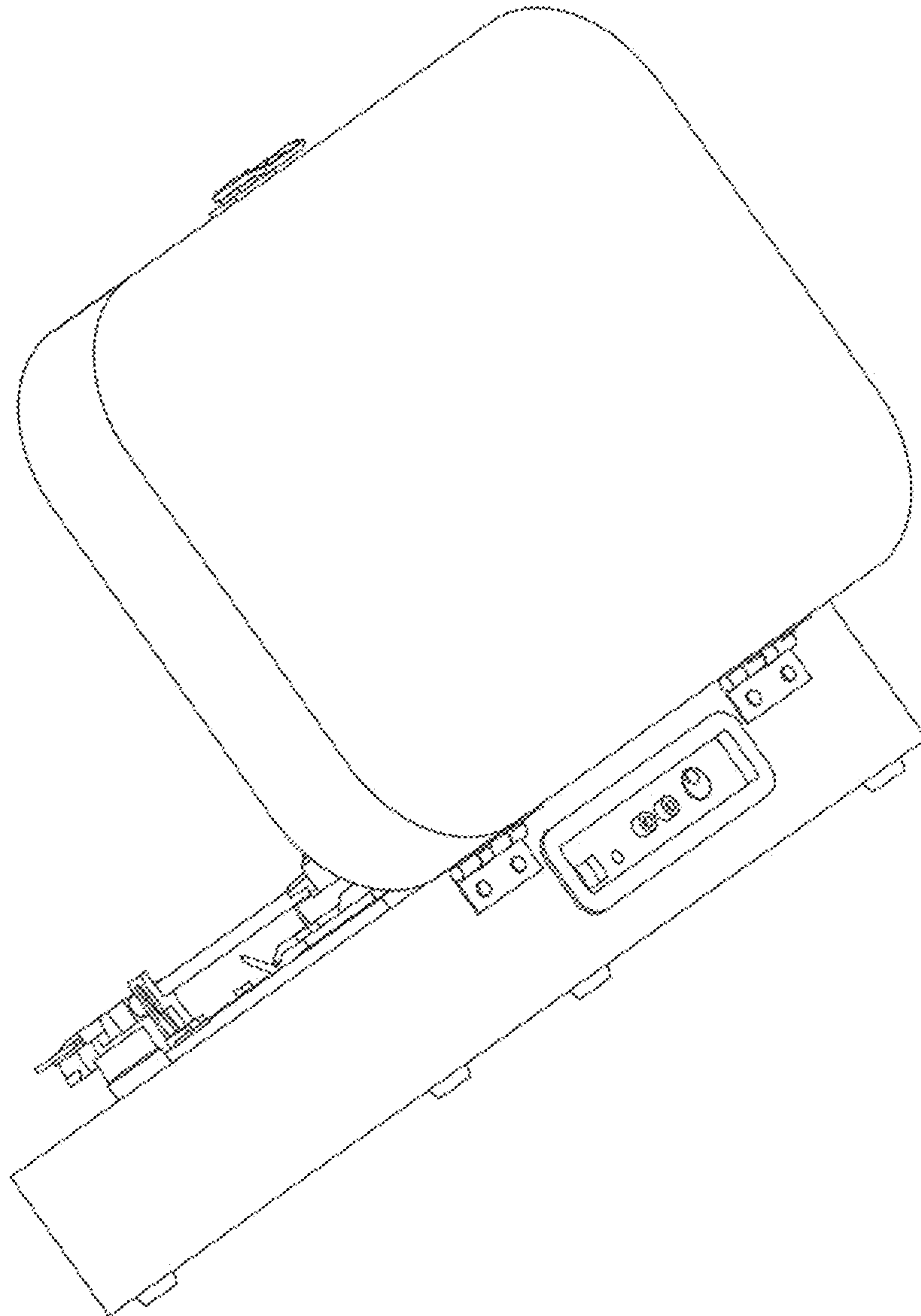
FIG. 1 is a perspective view of a record player showing my new design;  
 FIG. 2 is a perspective view of a record player showing my new design;  
 FIG. 3 is a top plan view thereof;  
 FIG. 4 is a rear elevational view thereof;  
 FIG. 5 is a bottom plan view thereof;  
 FIG. 6 is a right side view thereof;  
 FIG. 7 is a front elevational view thereof; and,  
 FIG. 8 is a left side view thereof.

**1 Claim, 8 Drawing Sheets**

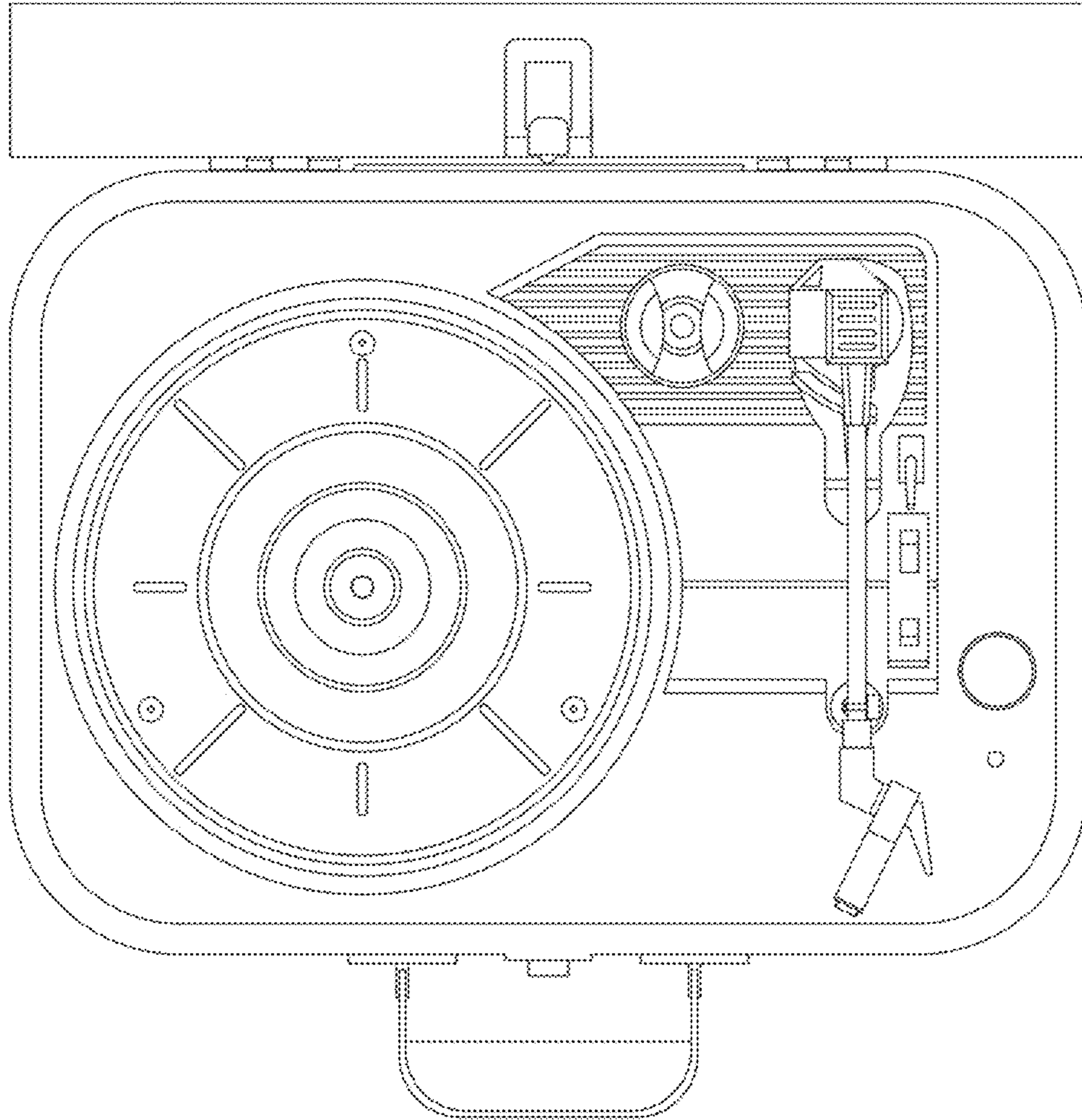




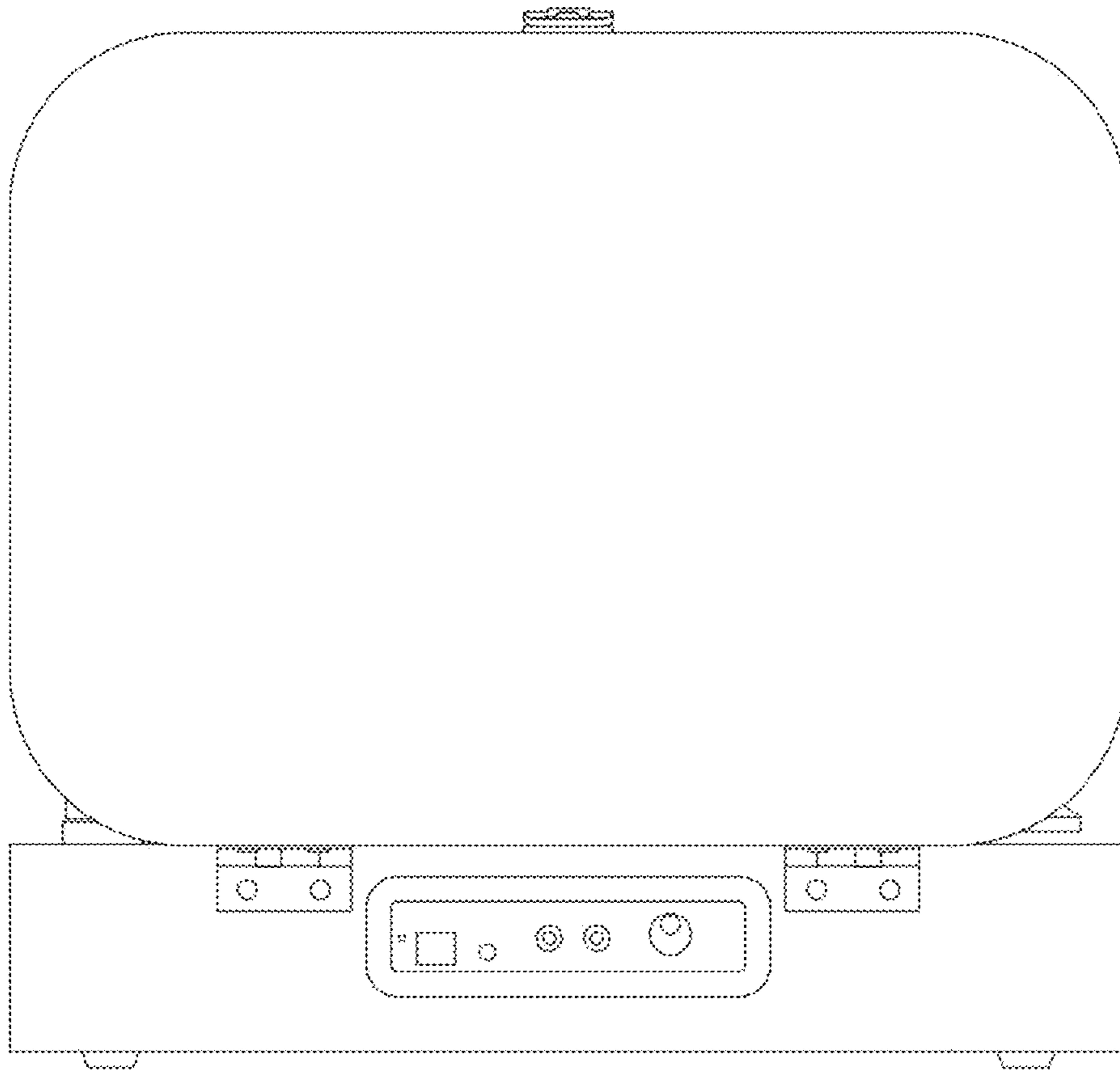
**FIG.1**



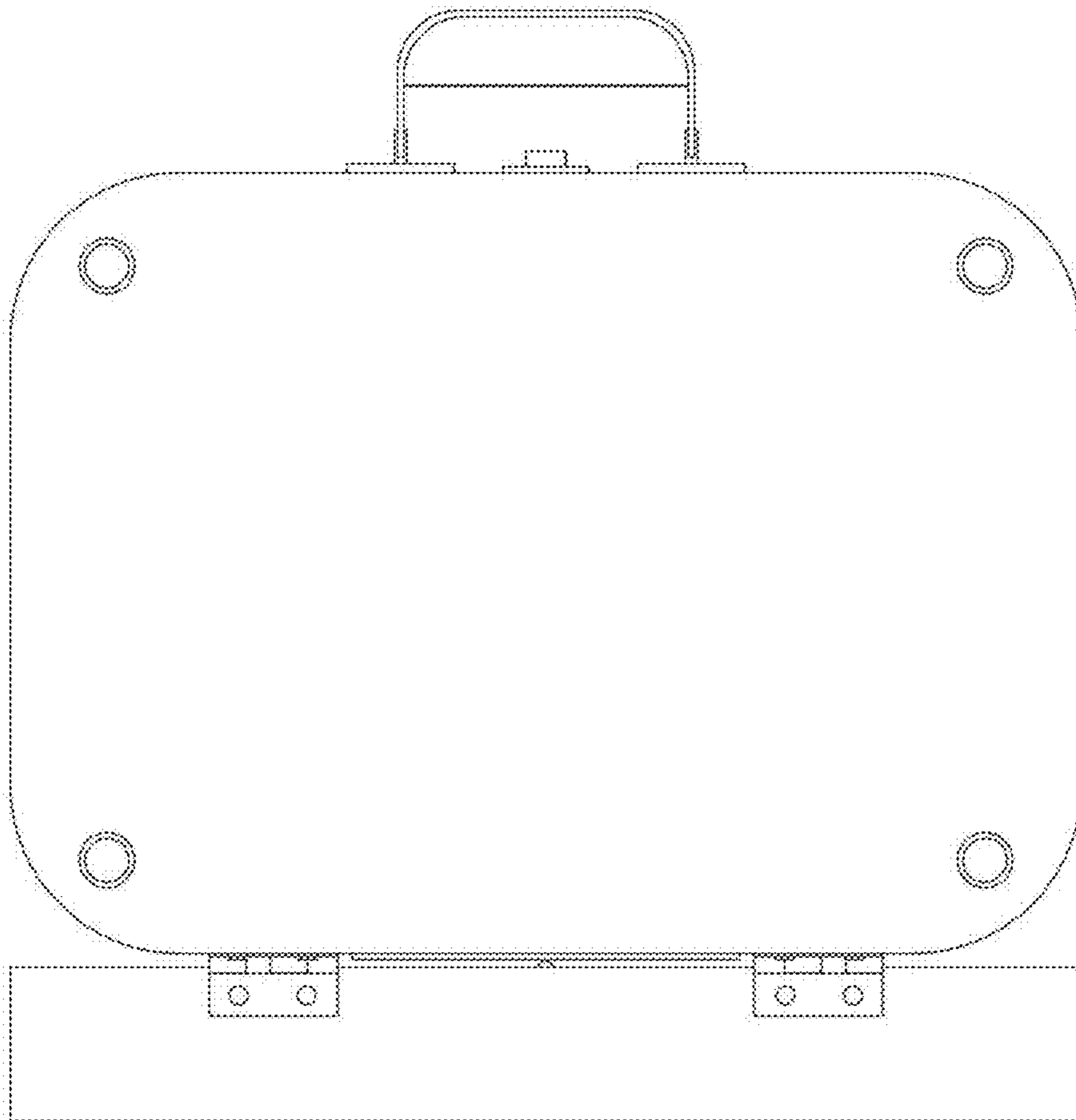
**FIG.2**



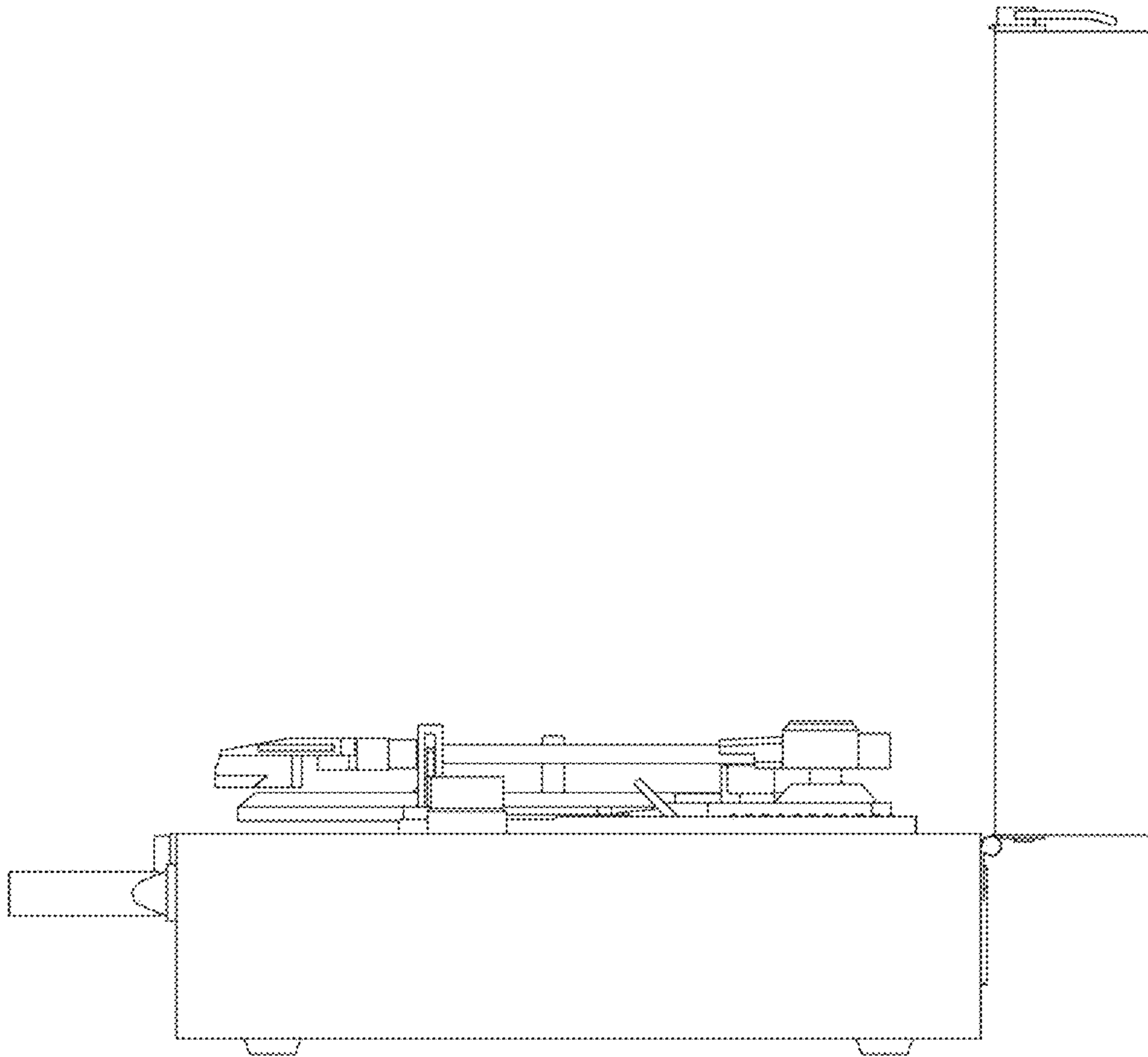
**FIG.3**



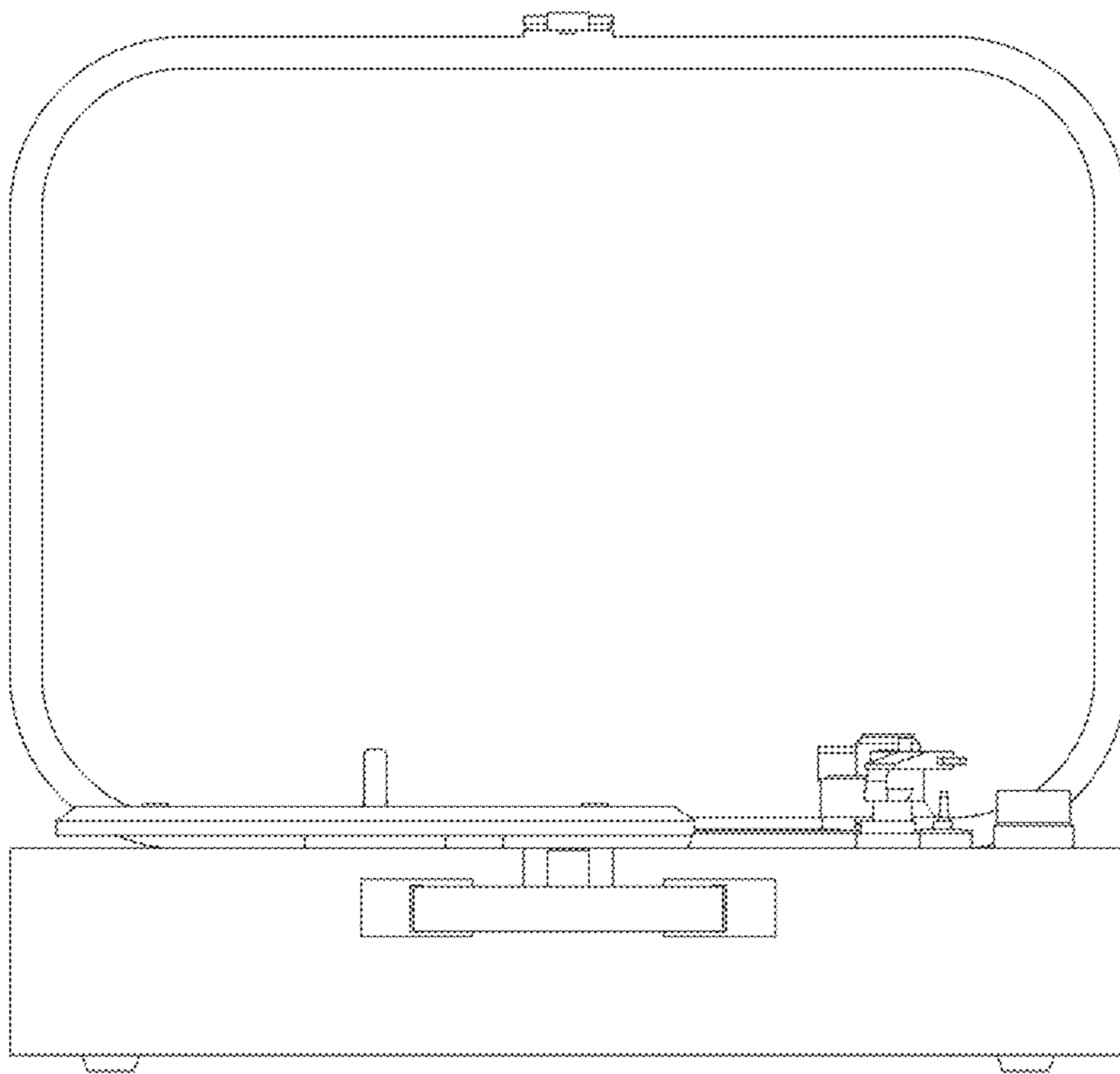
**FIG. 4**



**FIG.5**

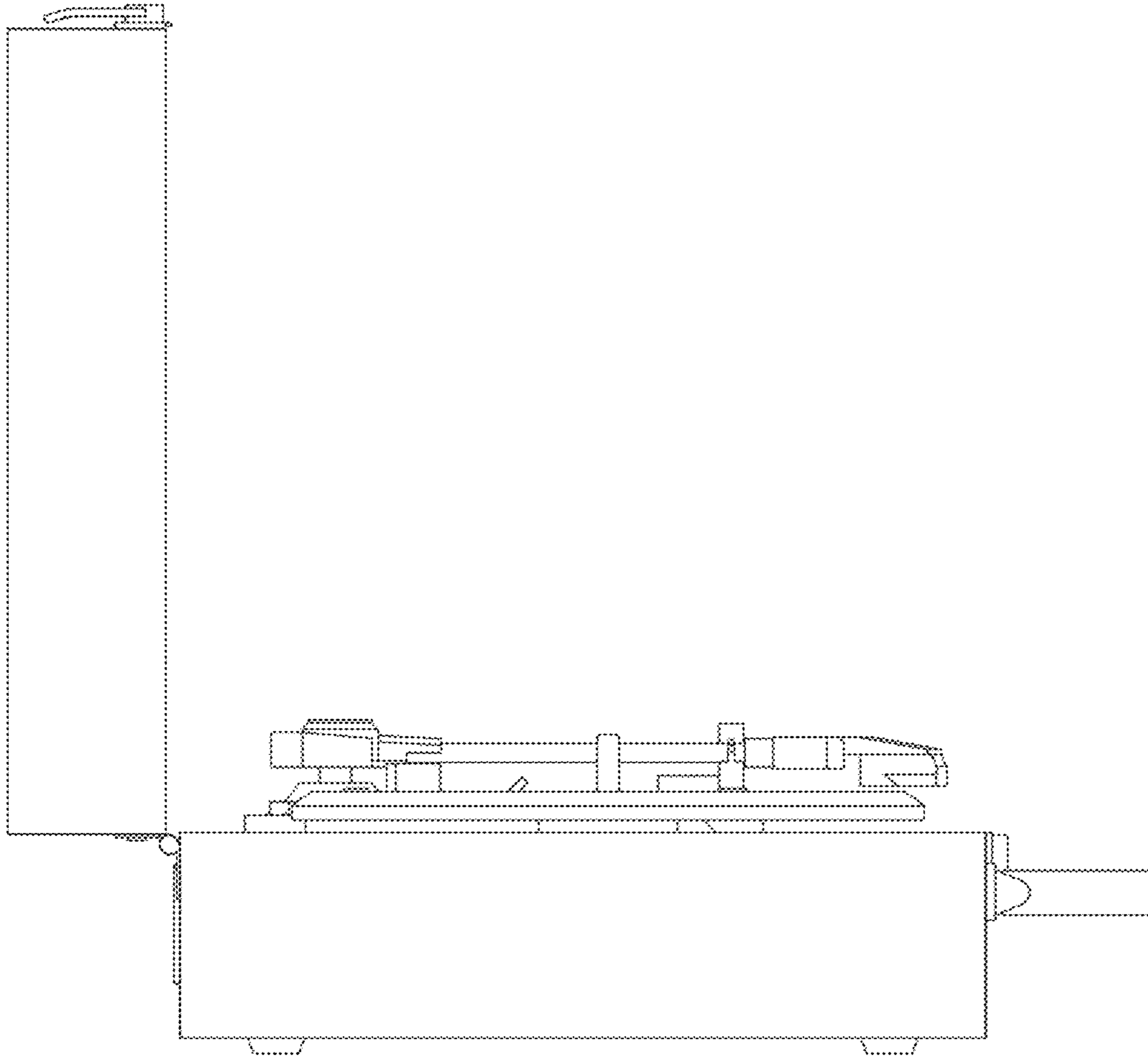


**FIG. 6**



**FIG. 7**





**FIG. 8**