



US00D873234S

(12) **United States Design Patent**
Du

(10) **Patent No.:** **US D873,234 S**
(45) **Date of Patent:** **** Jan. 21, 2020**

- (54) **BLUETOOTH FM TRANSMITTER**
- (71) Applicant: **DONGGUAN PINMI ELECTRONIC TECHNOLOGY CO., LTD**, Dongguan (CN)
- (72) Inventor: **Zhanyuan Du**, Kaifeng (CN)
- (73) Assignee: **DONGGUAN PINMI ELECTRONIC TECHNOLOGY CO., LTD**, Dongguan (CN)
- (**) Term: **15 Years**
- (21) Appl. No.: **29/706,239**
- (22) Filed: **Sep. 19, 2019**
- (30) **Foreign Application Priority Data**
Apr. 28, 2019 (CN) 2019 3 0202257
- (51) **LOC (12) Cl.** **14-03**
- (52) **U.S. Cl.**
USPC **D14/155**
- (58) **Field of Classification Search**
USPC D14/167, 154, 168, 188, 496, 156, 160, D14/161, 162, 163, 164, 165, 158, 341, D14/346, 342, 345, 137, 155, 218, 225; D16/208; D26/38; 455/351, 350; D10/104.1, 106, 65
CPC H04B 1/385; H04M 1/6091; H04M 1/6066
See application file for complete search history.

- D805,496 S * 12/2017 Yin D14/155
- D808,919 S * 1/2018 Yin D14/155
- D808,920 S * 1/2018 Yin D14/155
- D812,033 S * 3/2018 Yin D14/155
- D812,034 S * 3/2018 Du D14/138 R
- D820,803 S * 6/2018 Hu D14/155
- D842,261 S * 3/2019 Chen D14/155
- D864,144 S * 10/2019 Du D14/155

- (56) **References Cited**
U.S. PATENT DOCUMENTS
D538,775 S * 3/2007 Dayan D14/155
D541,254 S * 4/2007 Dayan D14/155
D548,719 S * 8/2007 Dayan D14/155
D550,197 S * 9/2007 Dayan D14/155
D802,536 S * 11/2017 Shang D13/144

OTHER PUBLICATIONS

“Bluetooth FM Transmitter, ZeaLife Bluetooth 5.0 Car Radio Transmitter with 7 Color LED Backlit QC 3.0 Handsfree Car Kit Charger MP3 Player Support Siri Google Assistant TF Card USB Flash Drive”, Retrieved Sep. 18, 2019]. Retrieved from Internet, <https://www.amazon.co.uk/Bluetooth-Transmitter-ZeaLife-Handsfree-Assistant-Black/dp/B07WSZNQ59/>.

(Continued)

Primary Examiner — Austin Murphy

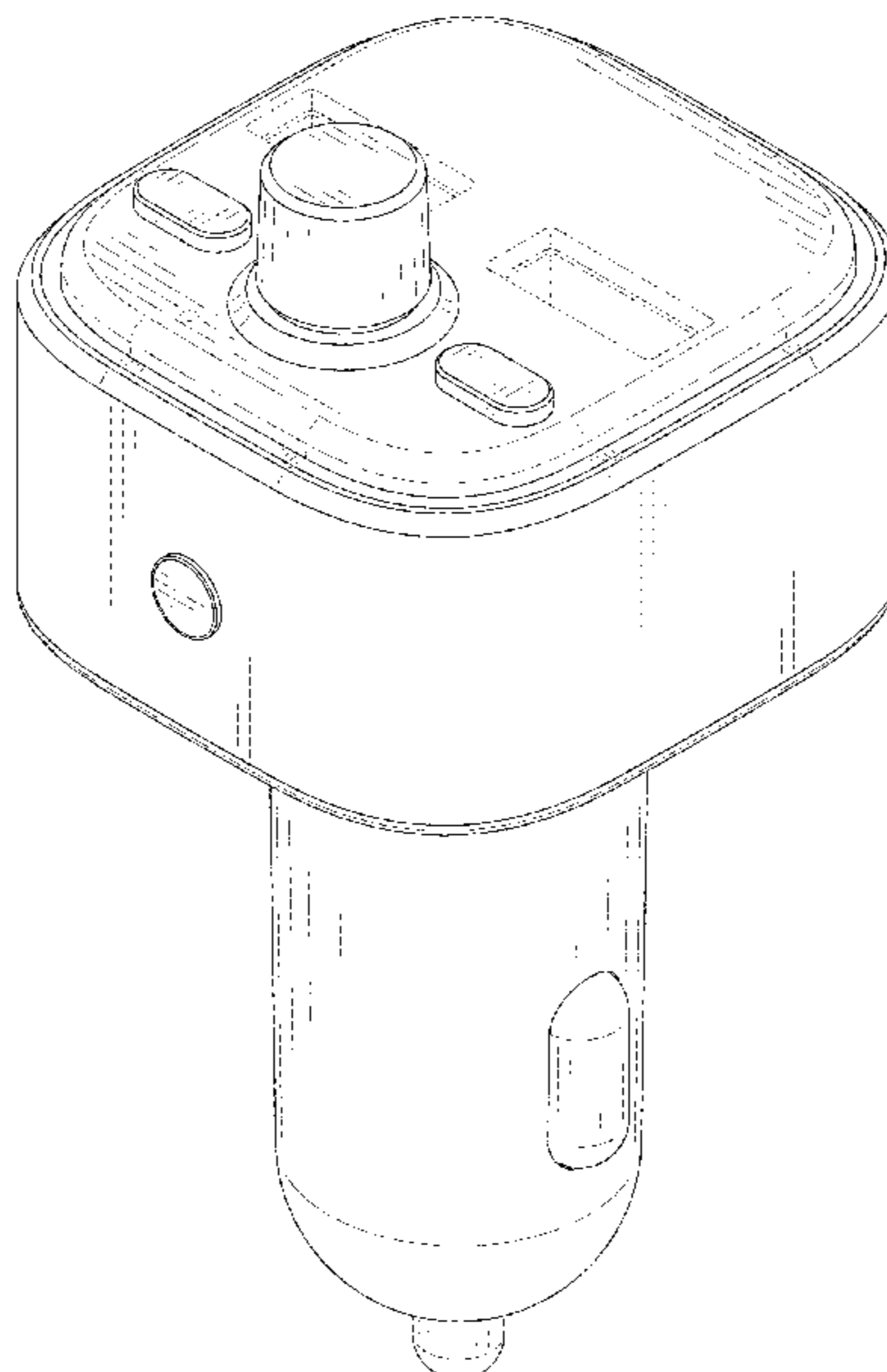
(57) **CLAIM**

The ornamental design for a bluetooth FM transmitter, as shown and described.

DESCRIPTION

FIG. 1 is a perspective view of a bluetooth FM transmitter showing my new design;
FIG. 2 is another perspective view thereof;
FIG. 3 is a front elevational view thereof;
FIG. 4 is a rear elevational view thereof;
FIG. 5 is a left side elevational view thereof;
FIG. 6 is a right side elevational view thereof;
FIG. 7 is a top plan view thereof; and,
FIG. 8 is a bottom plan view thereof.
The broken lines in the drawings depict portions of the bluetooth FM transmitter that form no part of the claimed design.

1 Claim, 8 Drawing Sheets



(56)

References Cited

OTHER PUBLICATIONS

“[2019 New] ORIA Bluetooth FM Transmitter for Car, Wireless in-Car Radio Adapter Car Kit, Universal Car Charger with Dual USB Charging, Hands-Free Calling, Music Player Supports TF Card & USB Disk”, Retrieved Sep. 18, 2019]. Retrieved from Internet, <https://www.amazon.co.uk/ORIA-Bluetooth-Transmitter-Universal-Hands-Free/dp/B07N767T35/>.

“VicTsing (Upgraded Version) Bluetooth FM Transmitter for Car, Wireless Radio Adapter, Music Player Car Kit with Dual USB Charging Ports 5V/2.1A, TF Card Slot, Hands Free Calls, Aux Output and Input”, Retrieved Sep. 18 2019]. Retrieved from Internet, <https://www.amazon.co.uk/VicTsing-Upgraded-Bluetooth-Transmitter-Wireless-Black/dp/B075ZTX6XR/>.

* cited by examiner

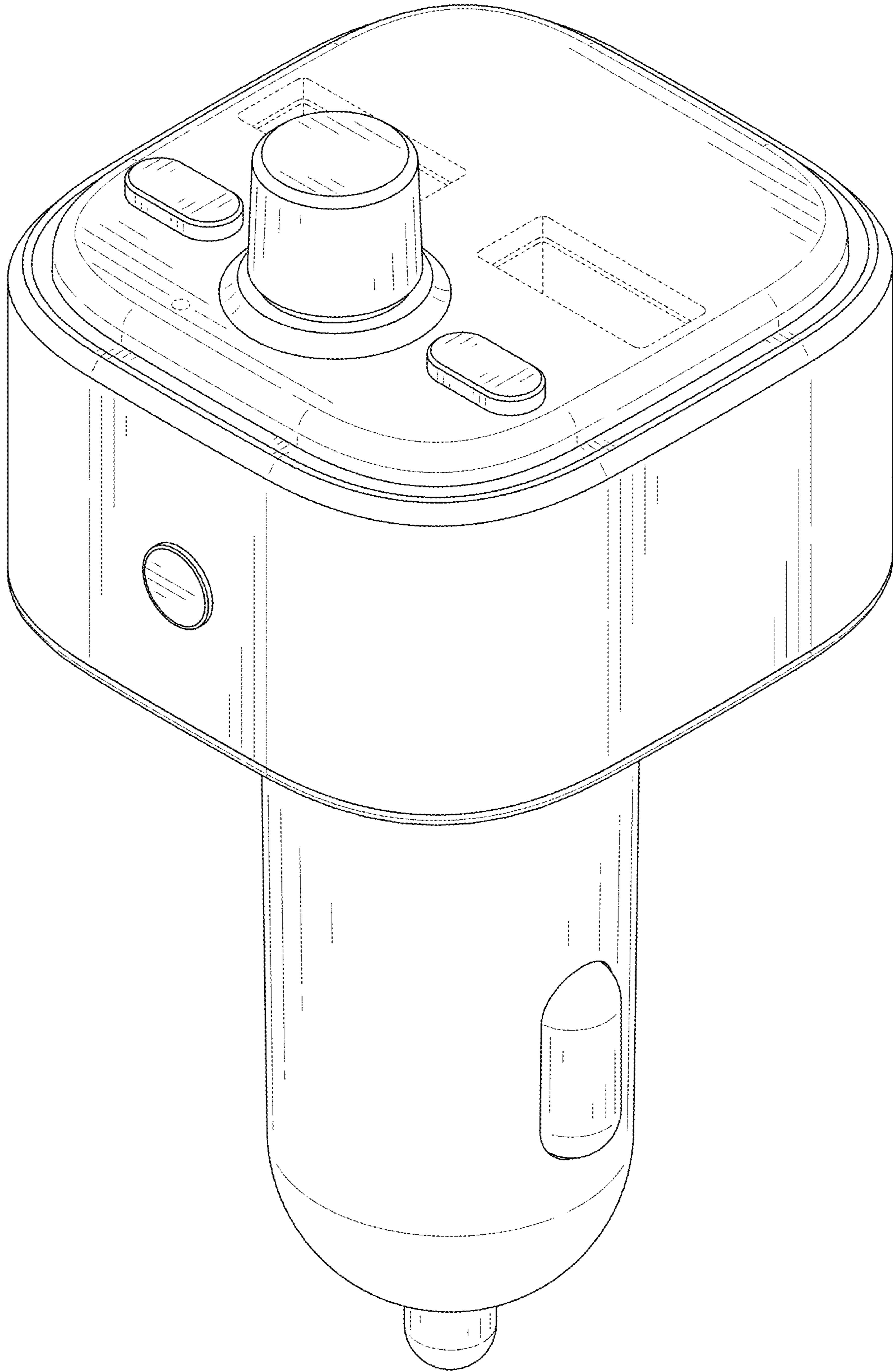


FIG. 1

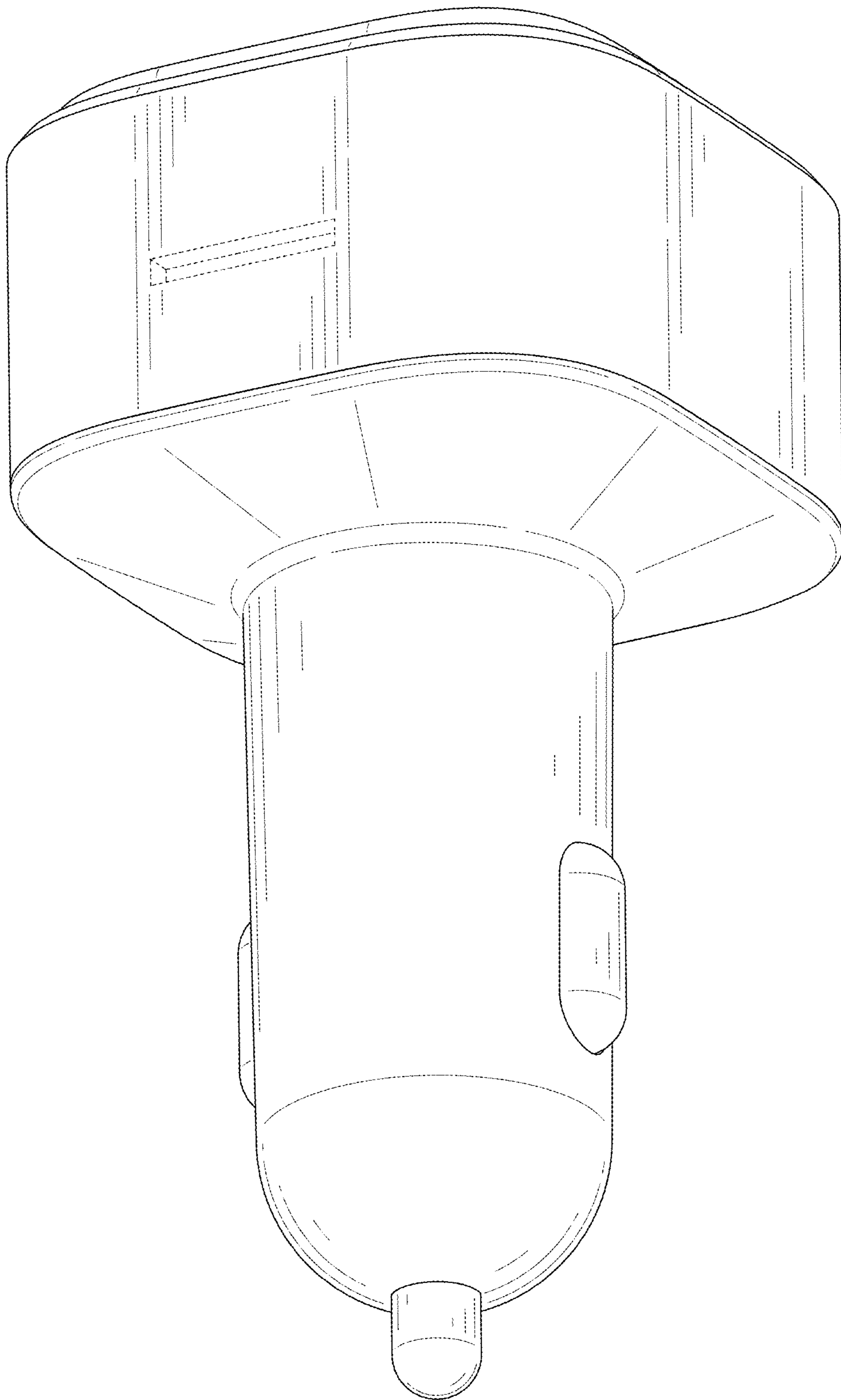


FIG. 2

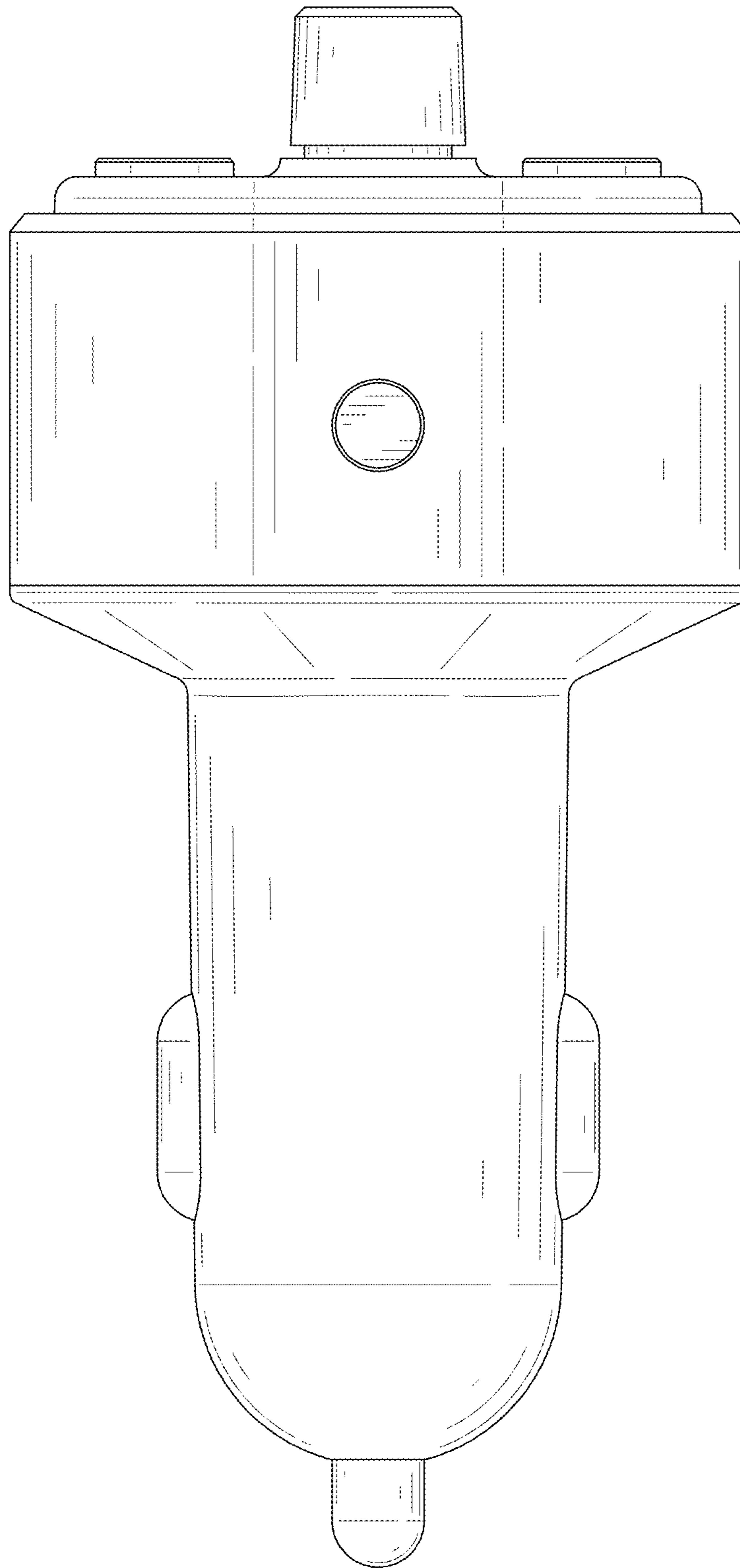


FIG. 3

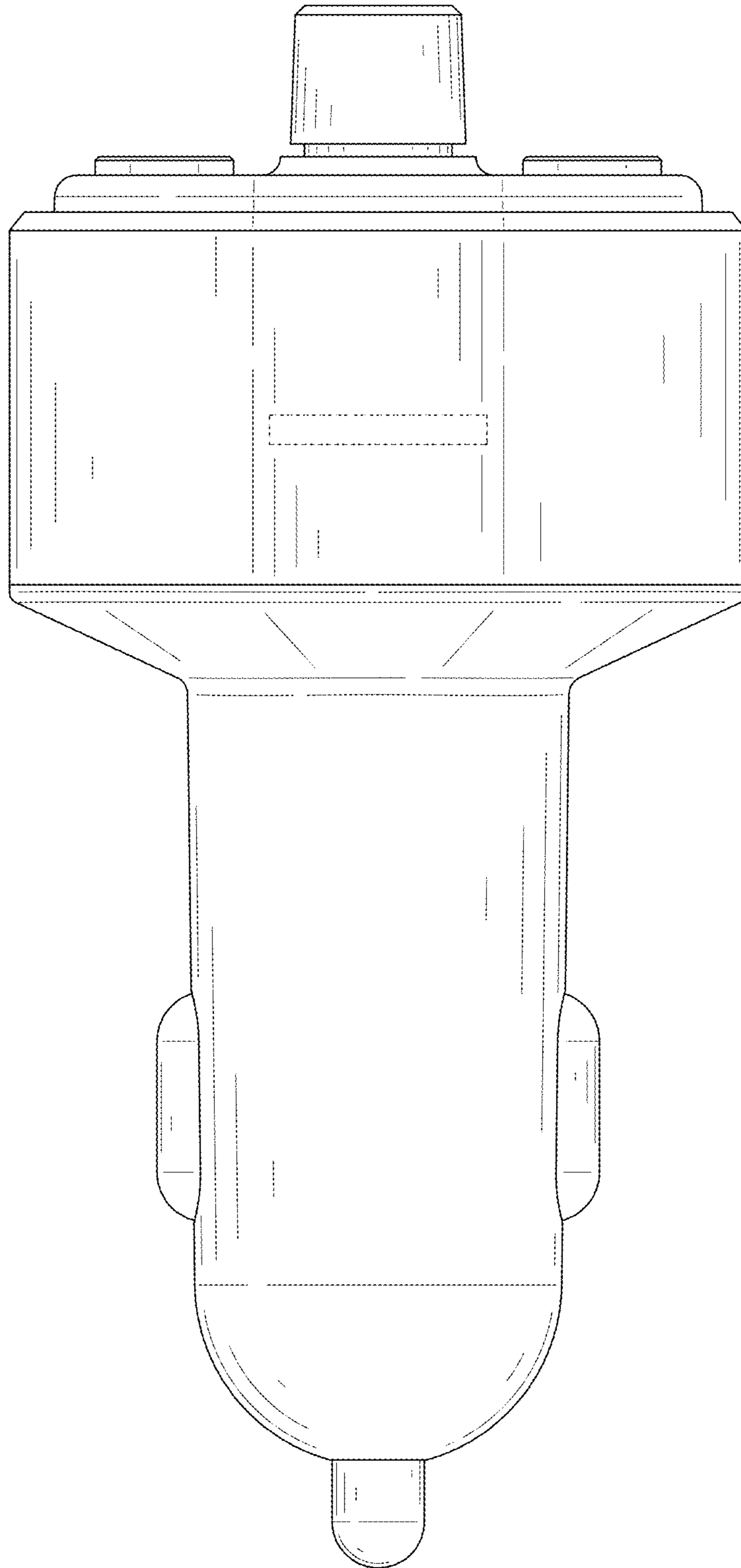


FIG. 4

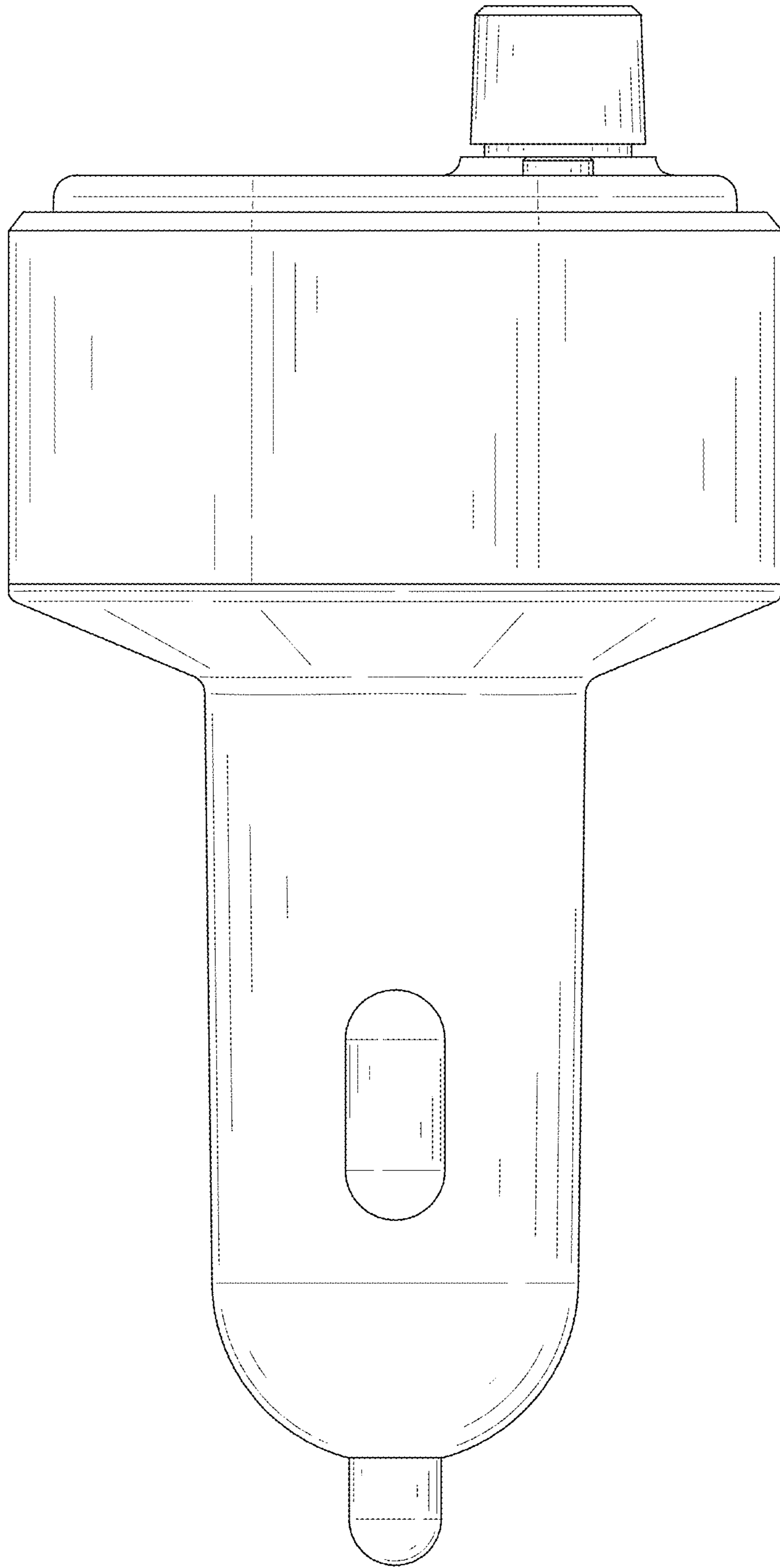


FIG. 5

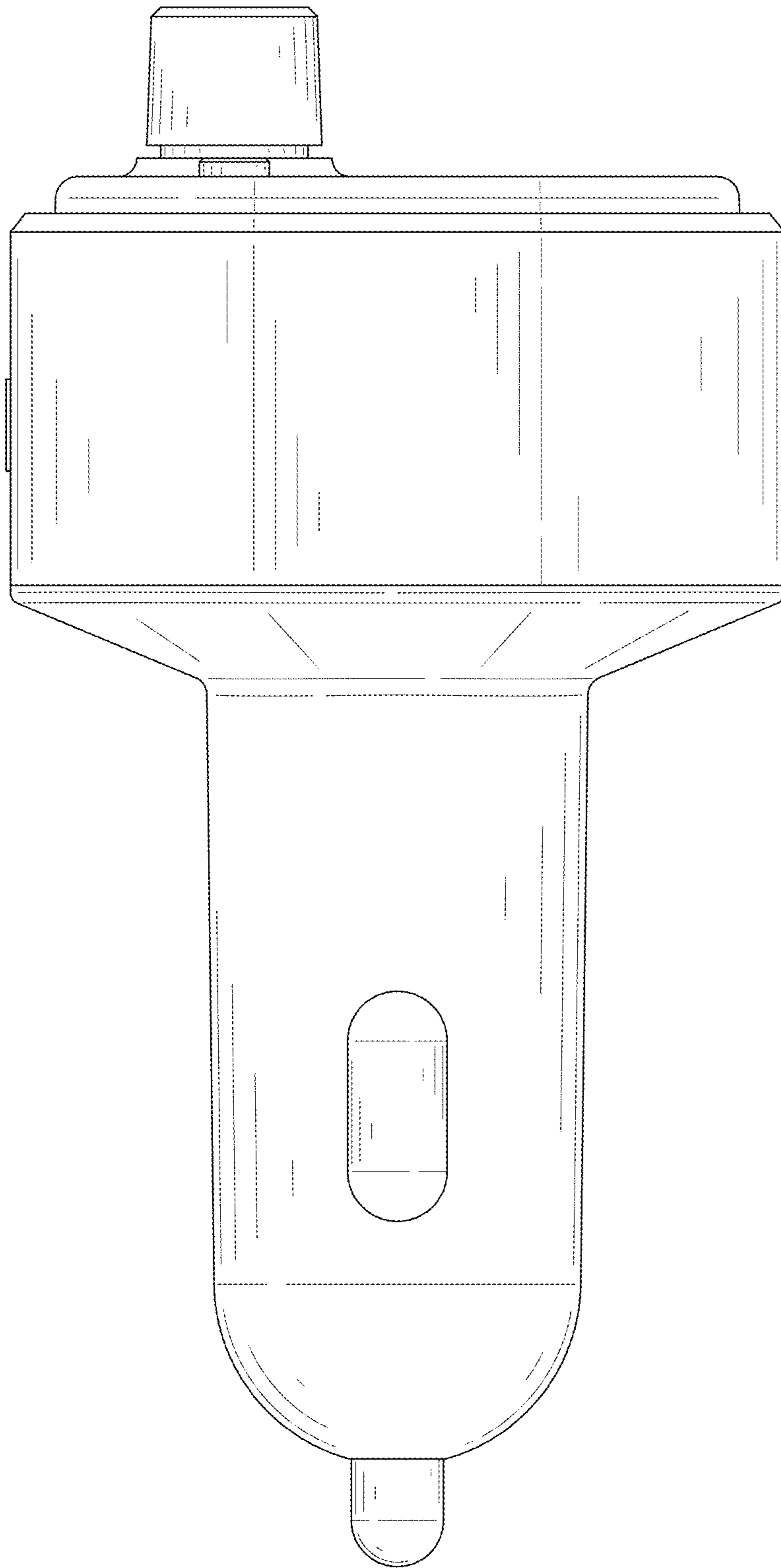


FIG. 6

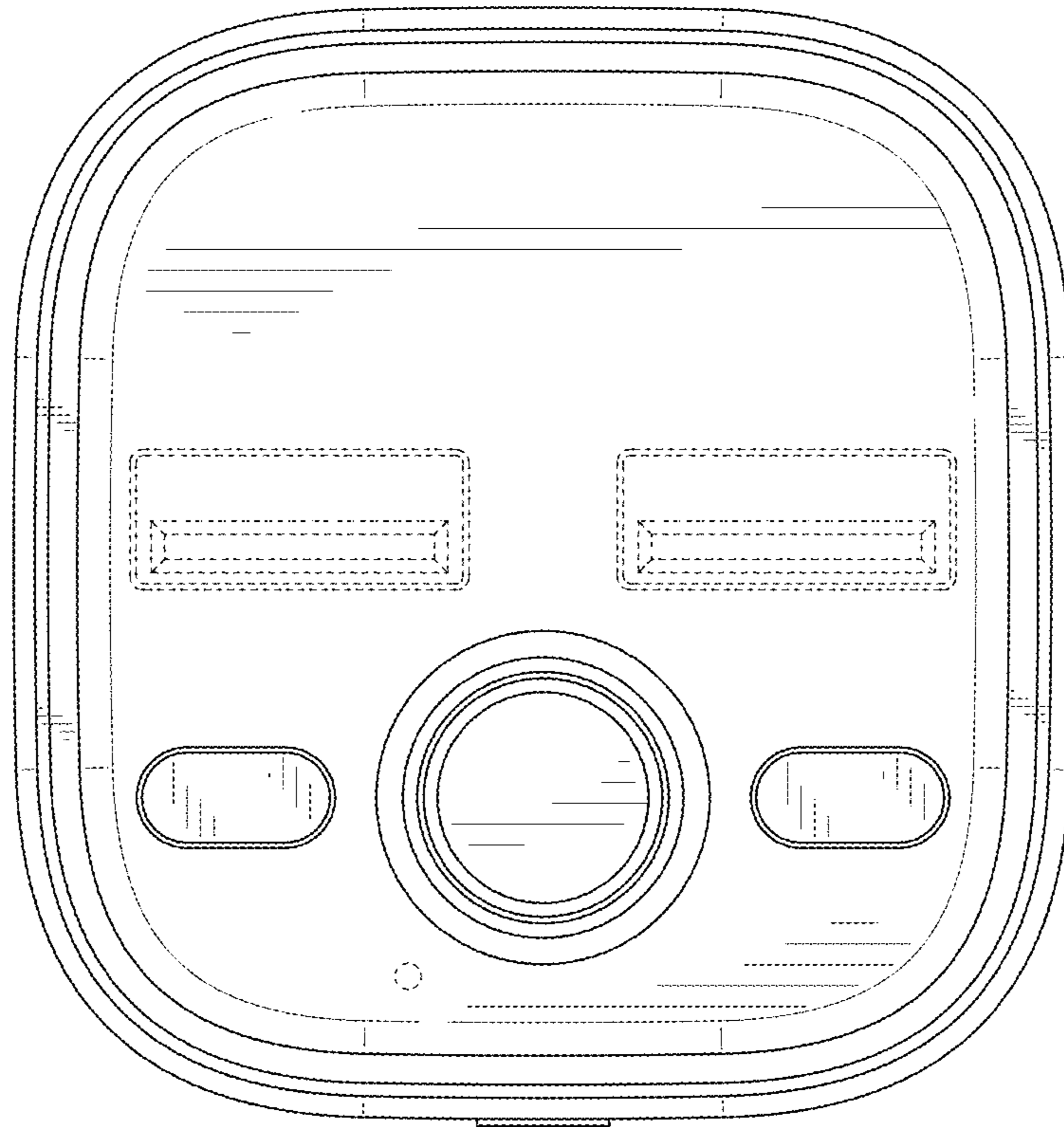


FIG. 7

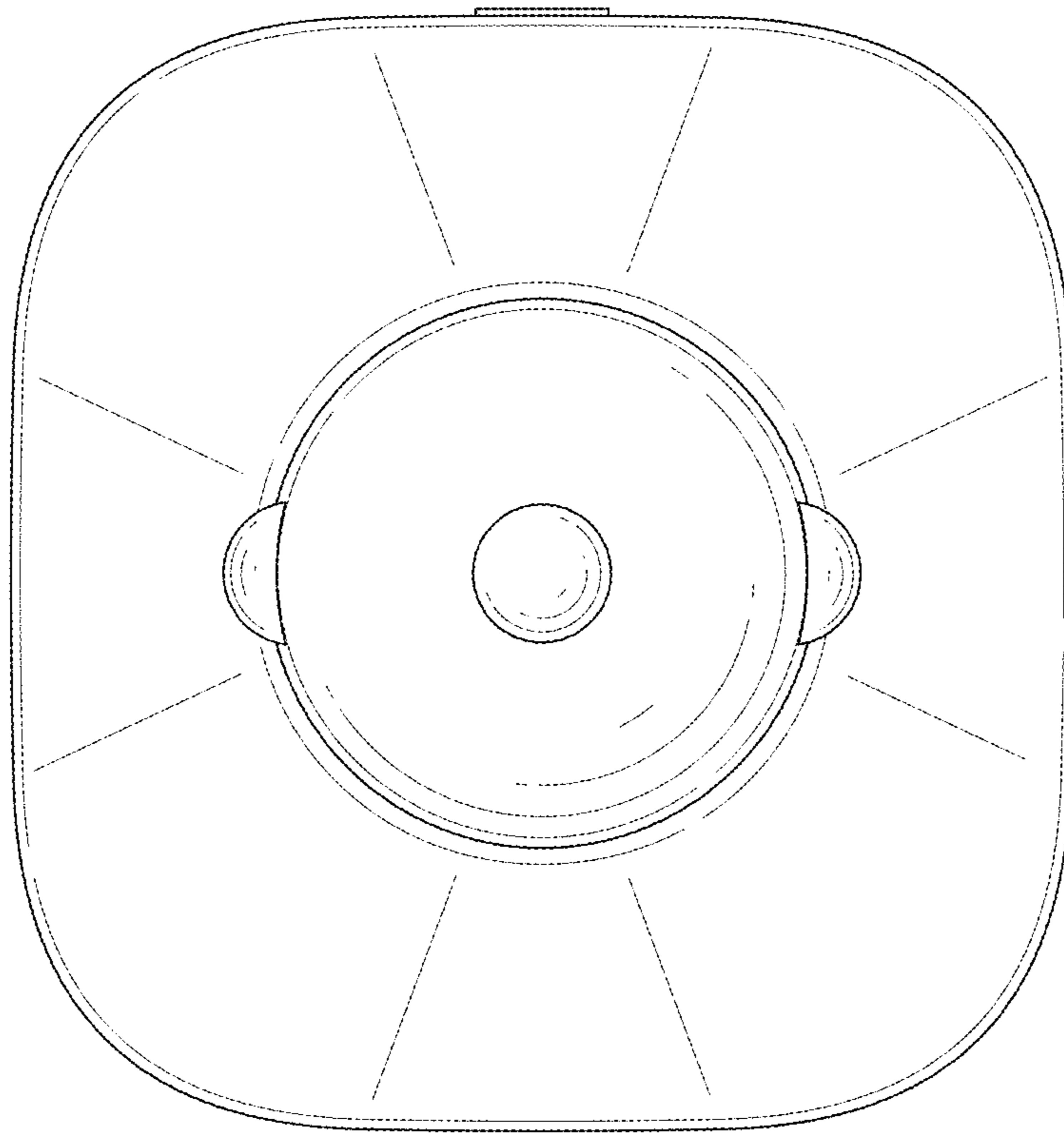


FIG. 8