

US00D873232S

(12) **United States Design Patent**
Zeng

(10) **Patent No.:** **US D873,232 S**

(45) **Date of Patent:** **** Jan. 21, 2020**

(54) **BLUETOOTH PLAYER**

(71) Applicant: **Shenzhen Airmart Technology Co., Ltd, Shenzhen, Guangdong (CN)**

(72) Inventor: **Dejun Zeng, Guangdong (CN)**

(73) Assignee: **Shenzhen Airmart Technology Co., Ltd, Shenzhen (CN)**

(**) Term: **15 Years**

(21) Appl. No.: **29/661,693**

(22) Filed: **Aug. 30, 2018**

(30) **Foreign Application Priority Data**

Jun. 28, 2018 (CN) 2018 3 0339357

(51) **LOC (12) Cl.** **14-03**

(52) **U.S. Cl.**
USPC **D14/155**

(58) **Field of Classification Search**

USPC D14/167, 154, 168, 188, 496, 156, 160,
D14/161, 162, 163, 164, 165, 158, 341,
D14/346, 342, 345, 155, 218, 225;
D16/208; D26/38; 455/351, 350, 575.1,
455/556.1; D10/104, 106, 65, 57
CPC H04B 1/385; H04M 1/6091; H04M 1/6066
See application file for complete search history.

(56) **References Cited**

U.S. PATENT DOCUMENTS

D451,084 S * 11/2001 Su D14/155
D483,024 S * 12/2003 Sanchez D14/155
D533,534 S * 12/2006 Brown D14/155
D535,279 S * 1/2007 Krieger D14/155

D556,183 S * 11/2007 Kesler D14/155
D598,890 S * 8/2009 Lee D14/155
D705,748 S * 5/2014 He D14/155
D808,356 S * 1/2018 Miller D14/155
D816,057 S * 4/2018 Jue D14/155
D816,058 S * 4/2018 Zeng D14/155
D852,771 S * 7/2019 Hu D14/155
D860,154 S * 9/2019 Hu D14/155

* cited by examiner

Primary Examiner — Austin Murphy

(57) **CLAIM**

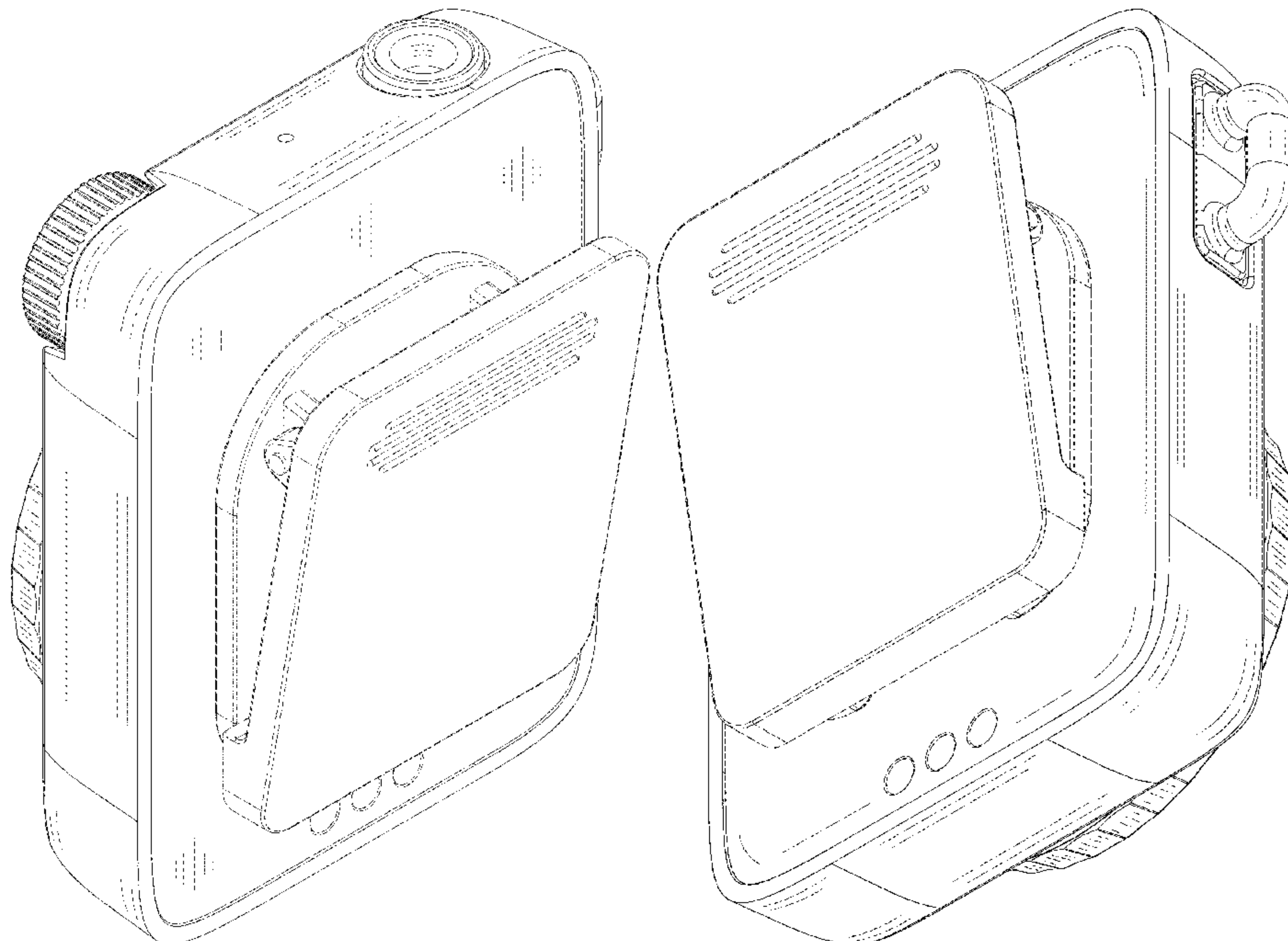
The ornamental design for a bluetooth player, as shown and described.

DESCRIPTION

FIG. 1 is a front elevational view of a bluetooth player showing my new design;
FIG. 2 is a rear elevational view thereof;
FIG. 3 is a left side view thereof;
FIG. 4 is a right side view thereof;
FIG. 5 is a top plan view thereof;
FIG. 6 is a bottom plan view thereof;
FIG. 7 is a top, front and left side perspective view thereof;
FIG. 8 is an enlarged view of portion 8 in FIG. 7;
FIG. 9 is a bottom, front and right side perspective view thereof;
FIG. 10 is a top, rear and right side perspective view thereof;
and,
FIG. 11 is a bottom, rear and left side perspective view thereof.

The broken lines in the drawings illustrate portions of the bluetooth player which form no part of the claimed design.

1 Claim, 11 Drawing Sheets



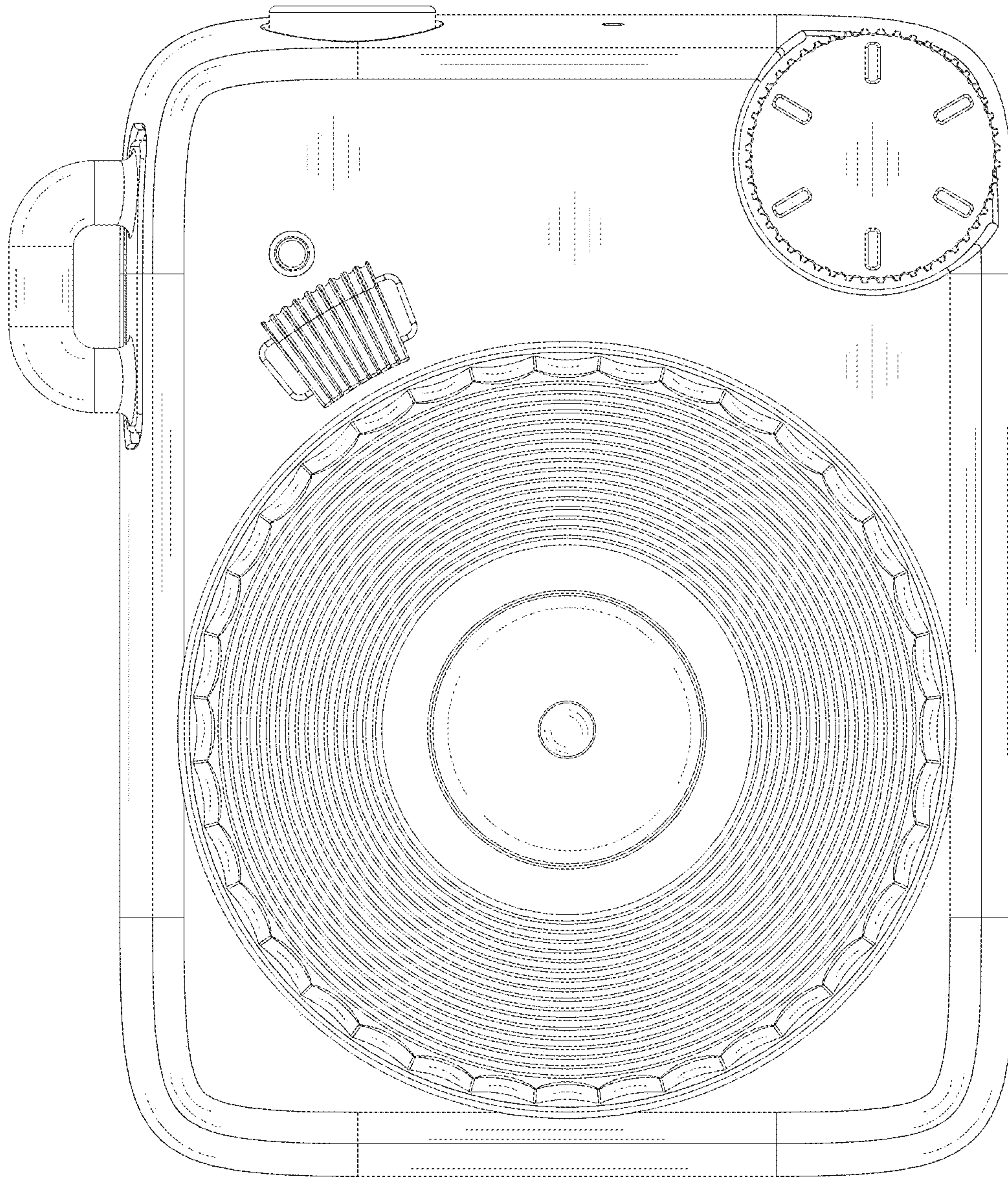


Fig.1

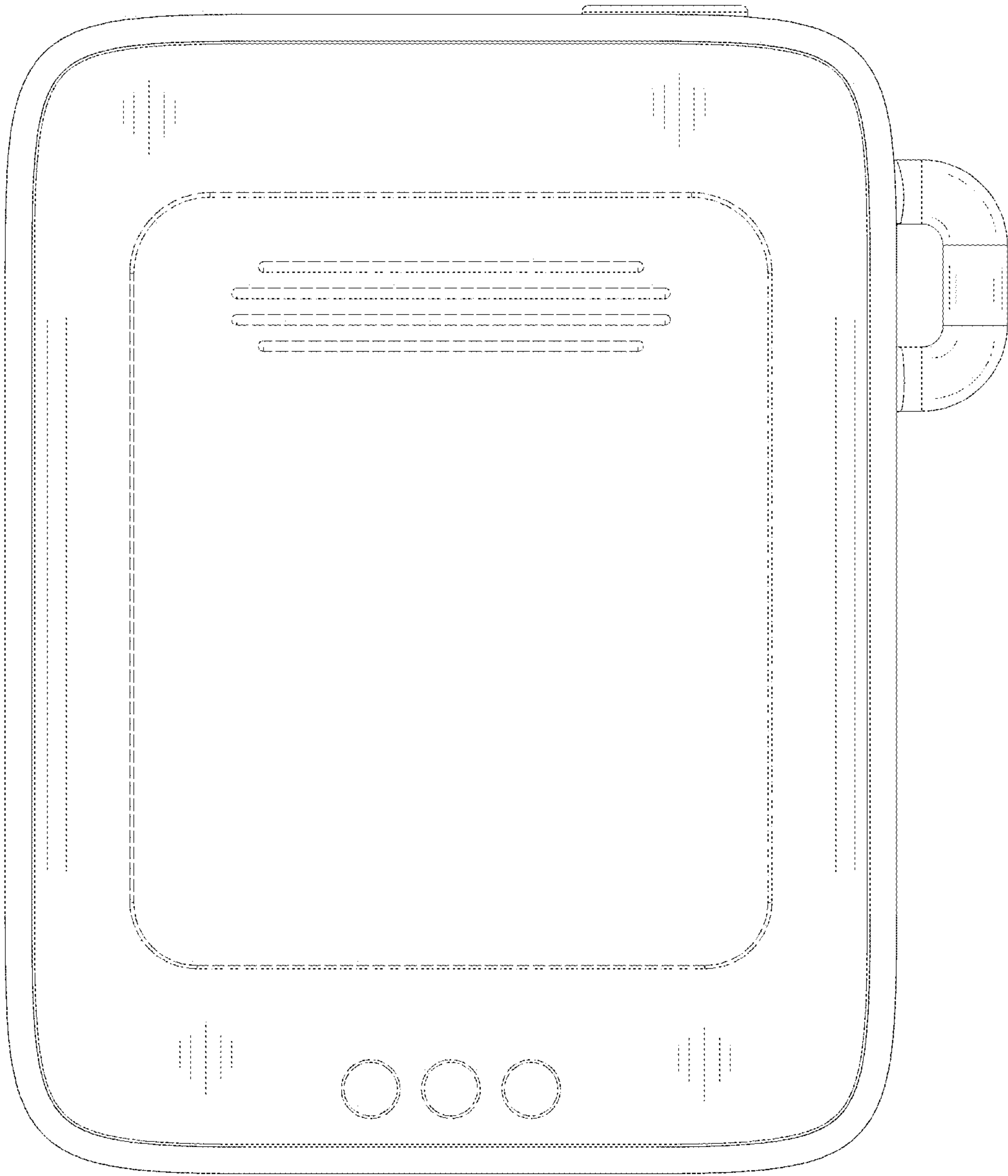


Fig.2

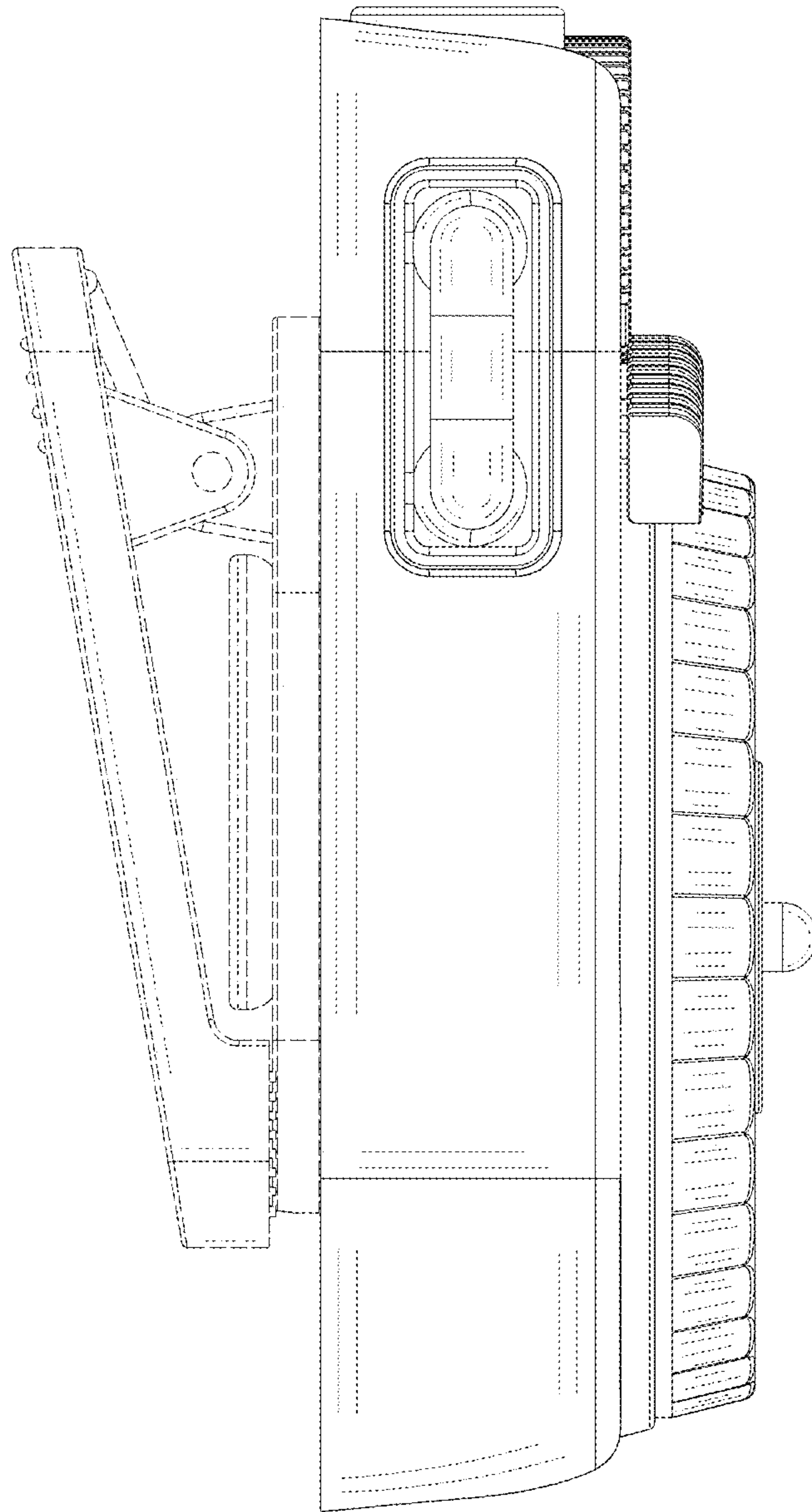


Fig.3

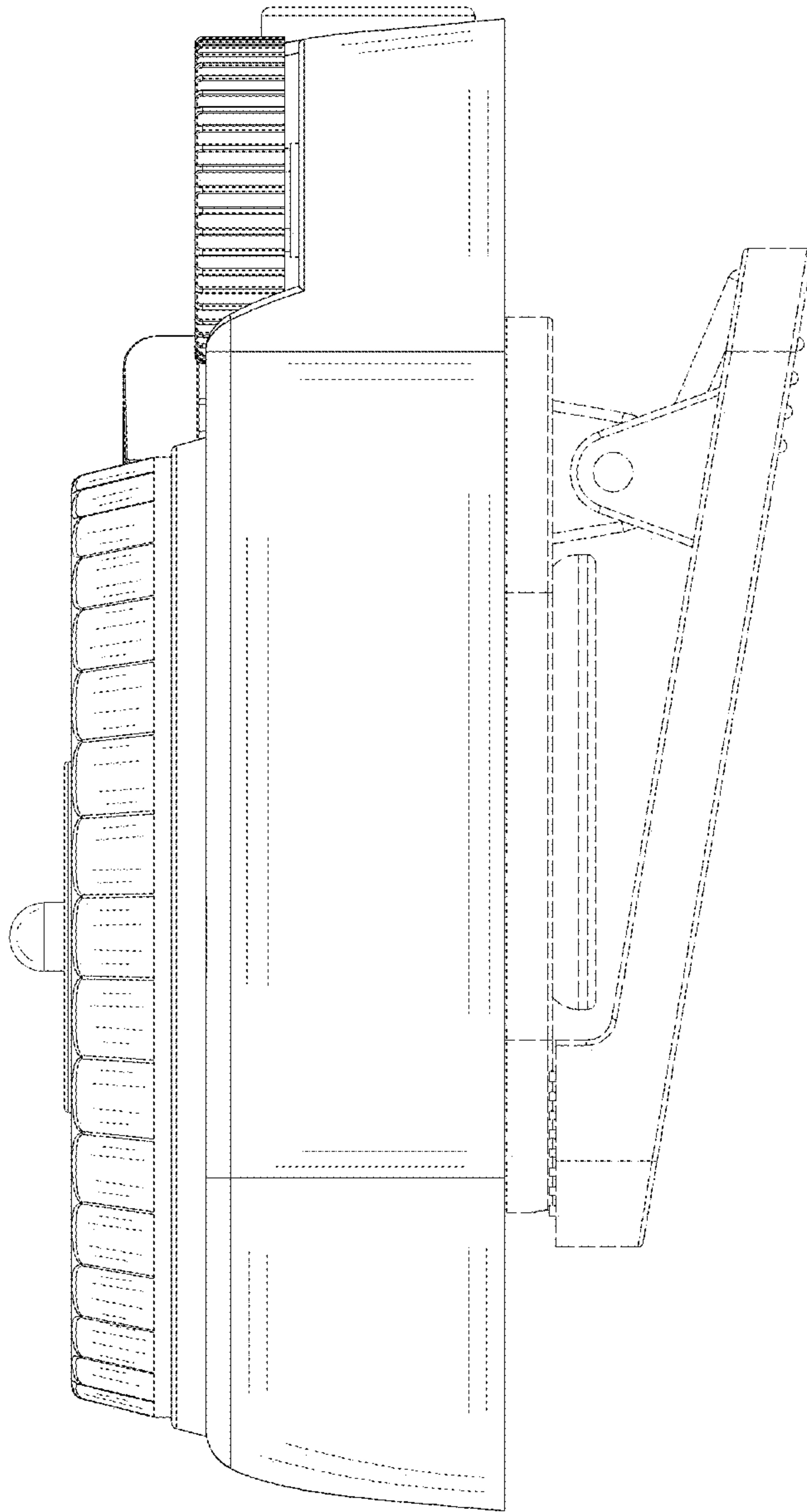


Fig.4

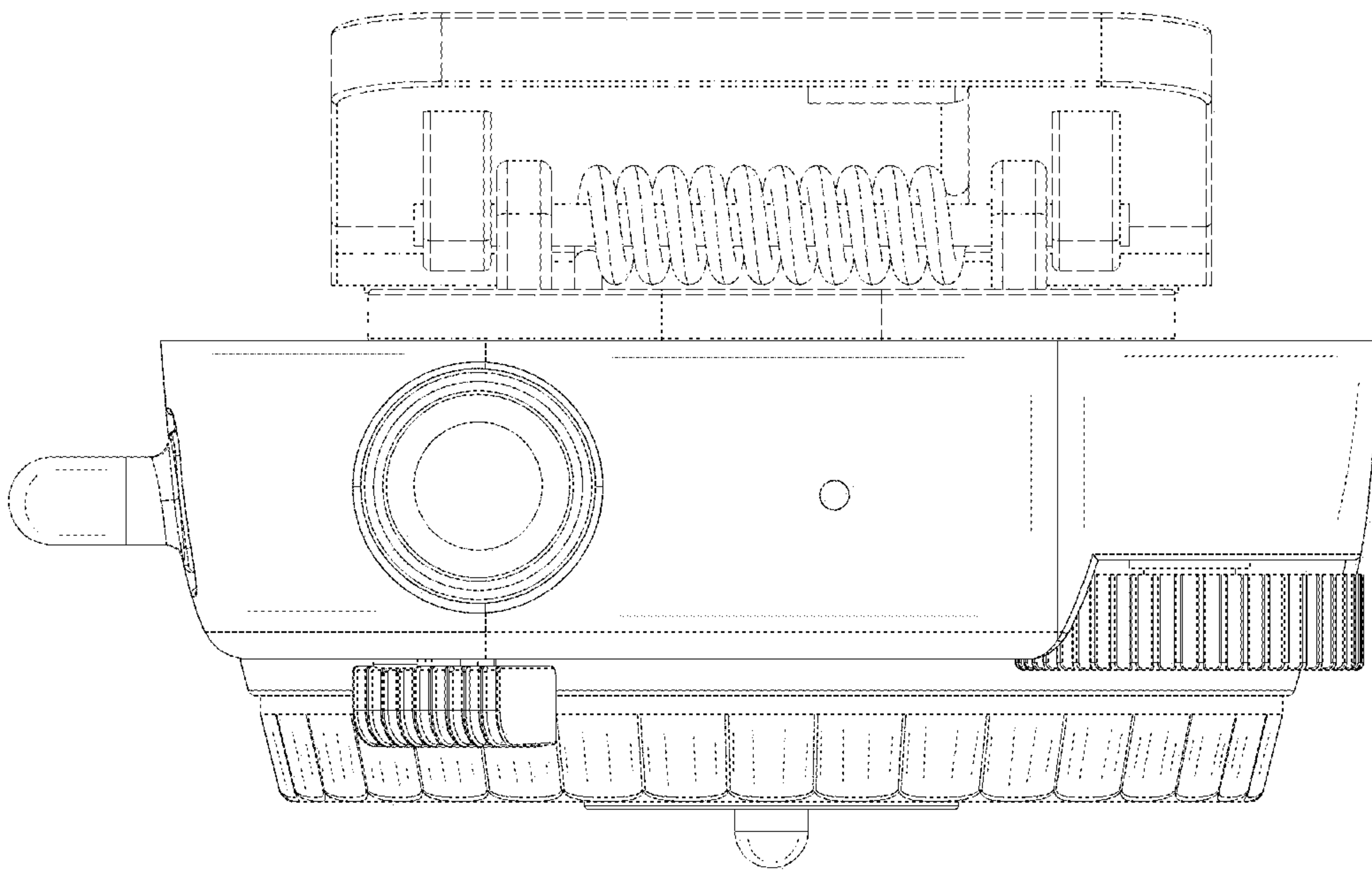


Fig.5

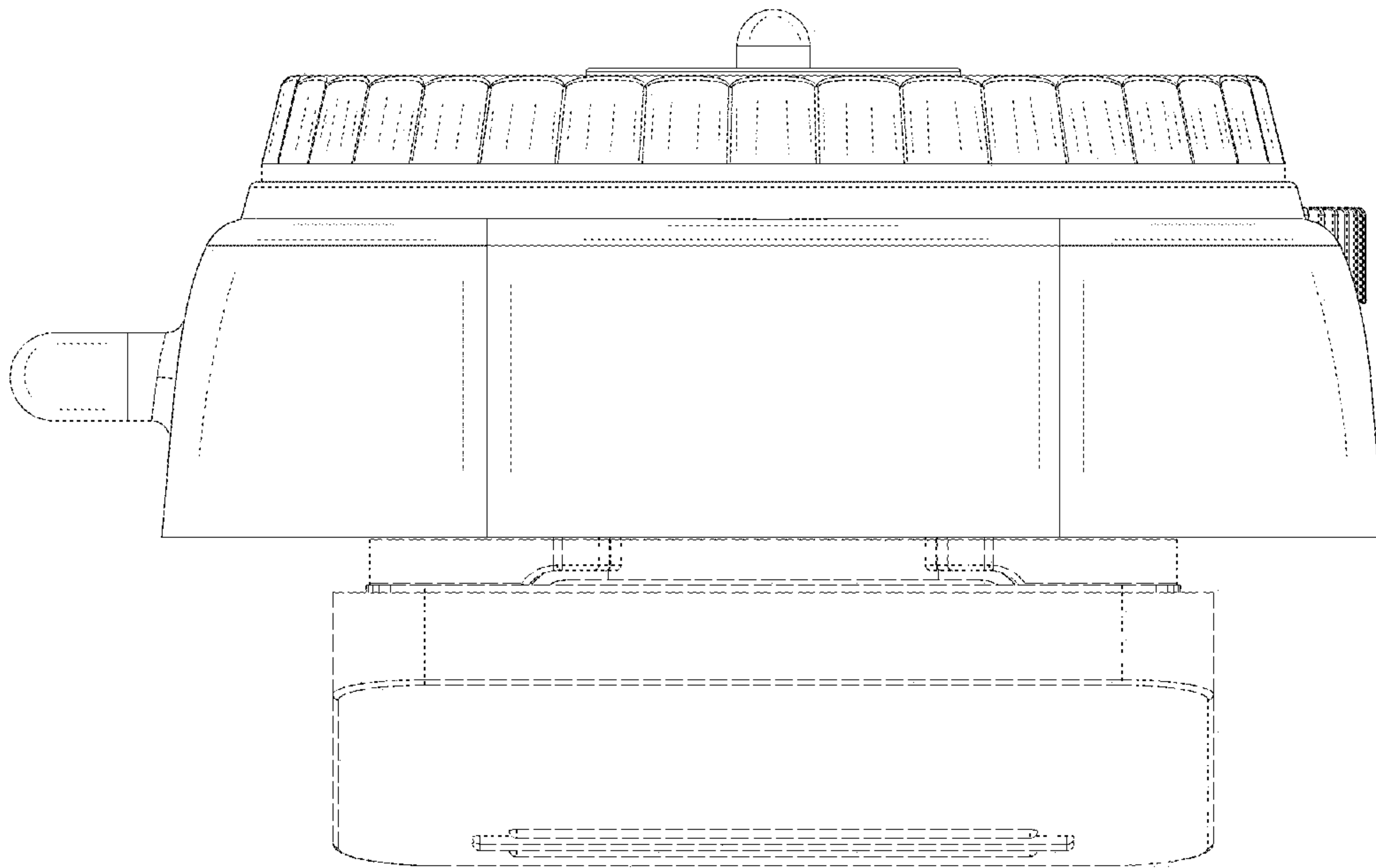


Fig.6

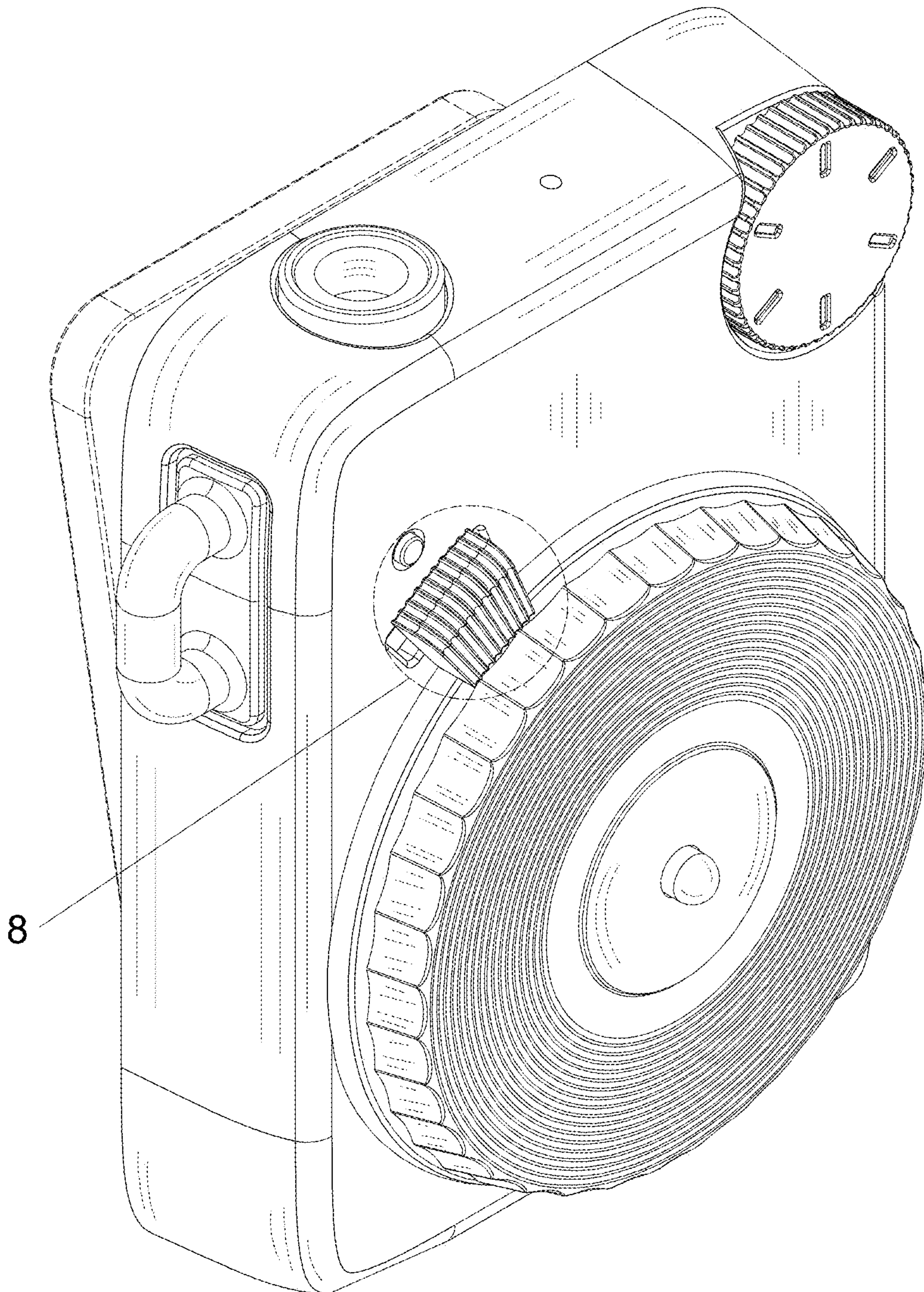


Fig.7

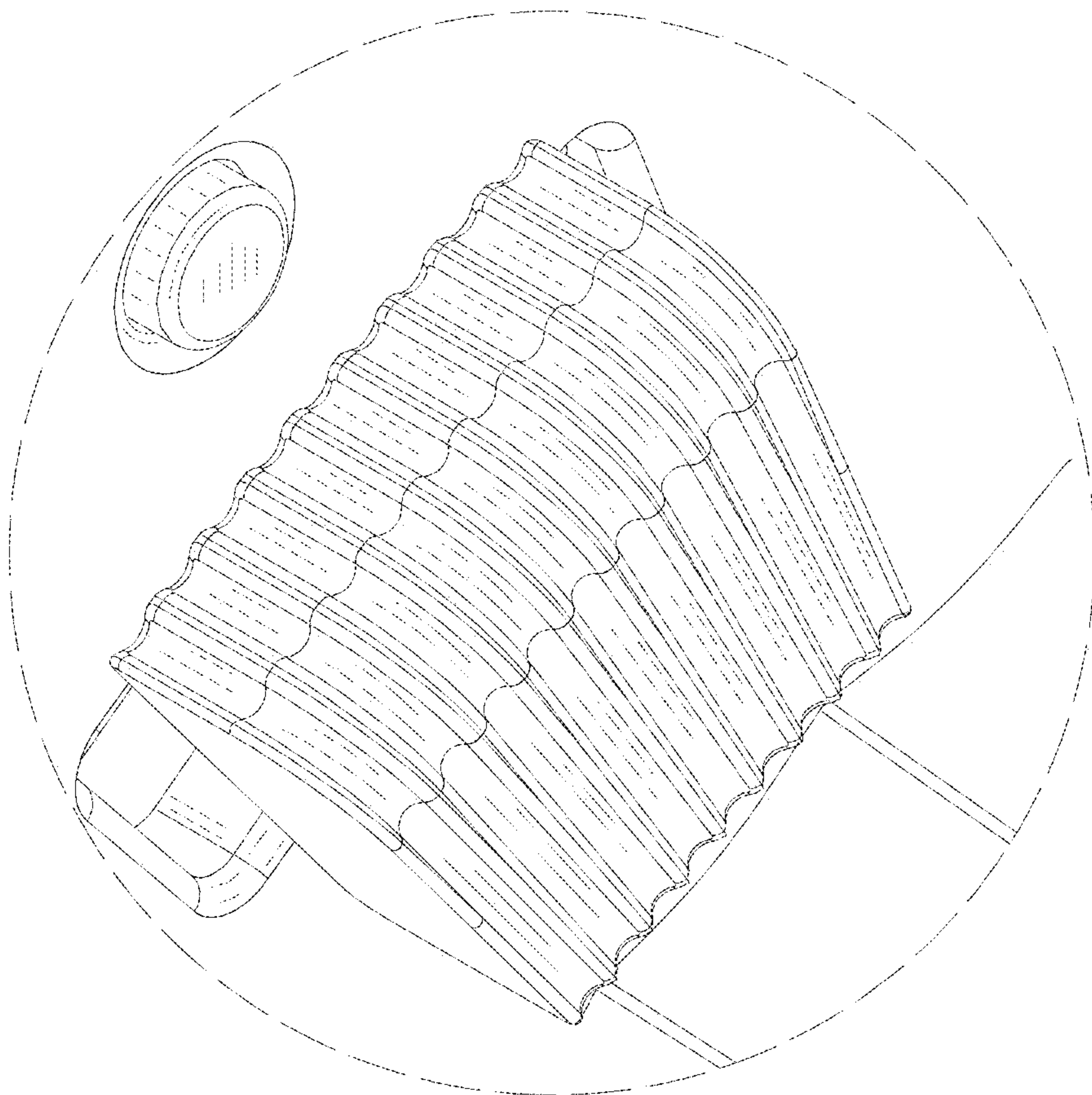


Fig.8

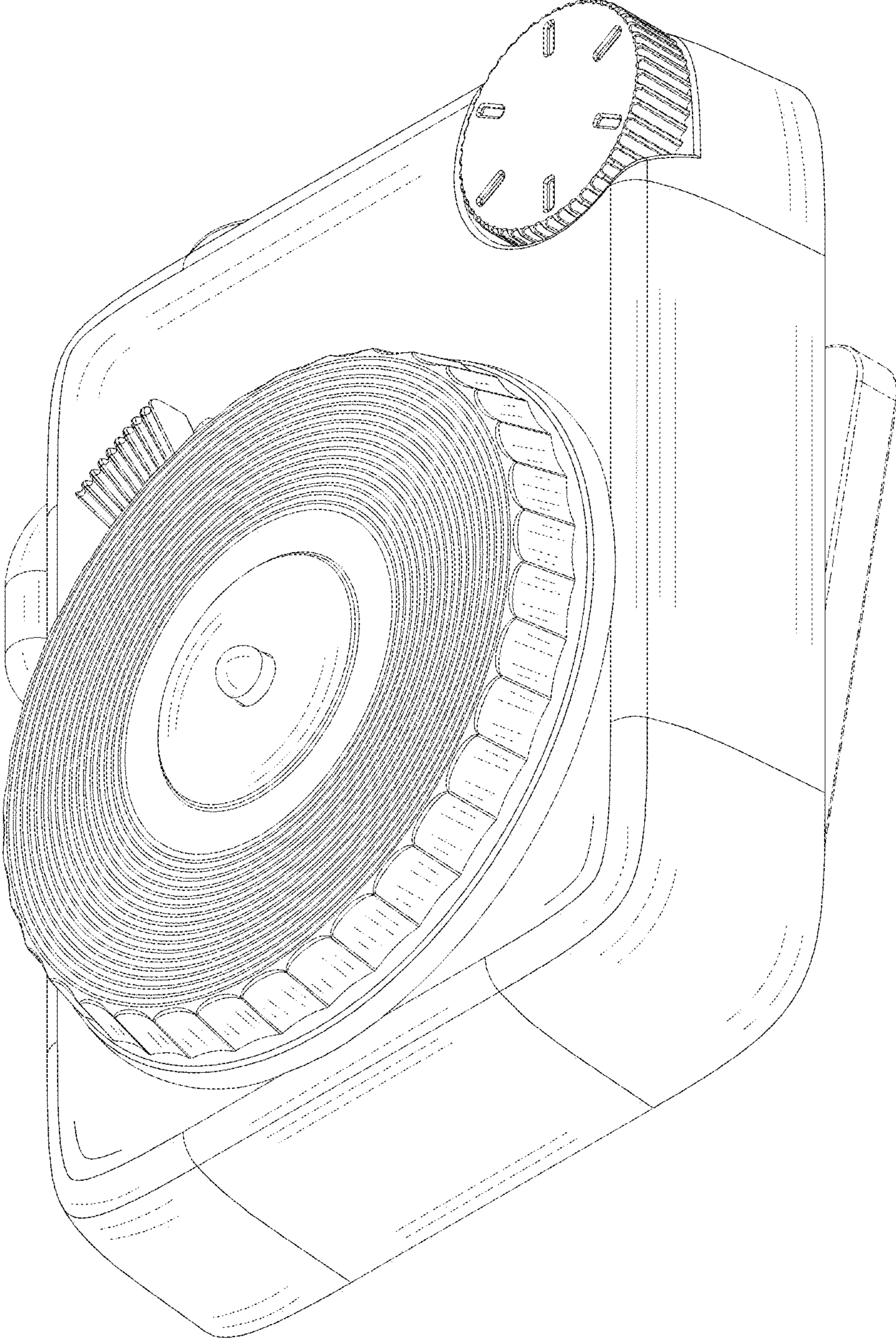


Fig.9

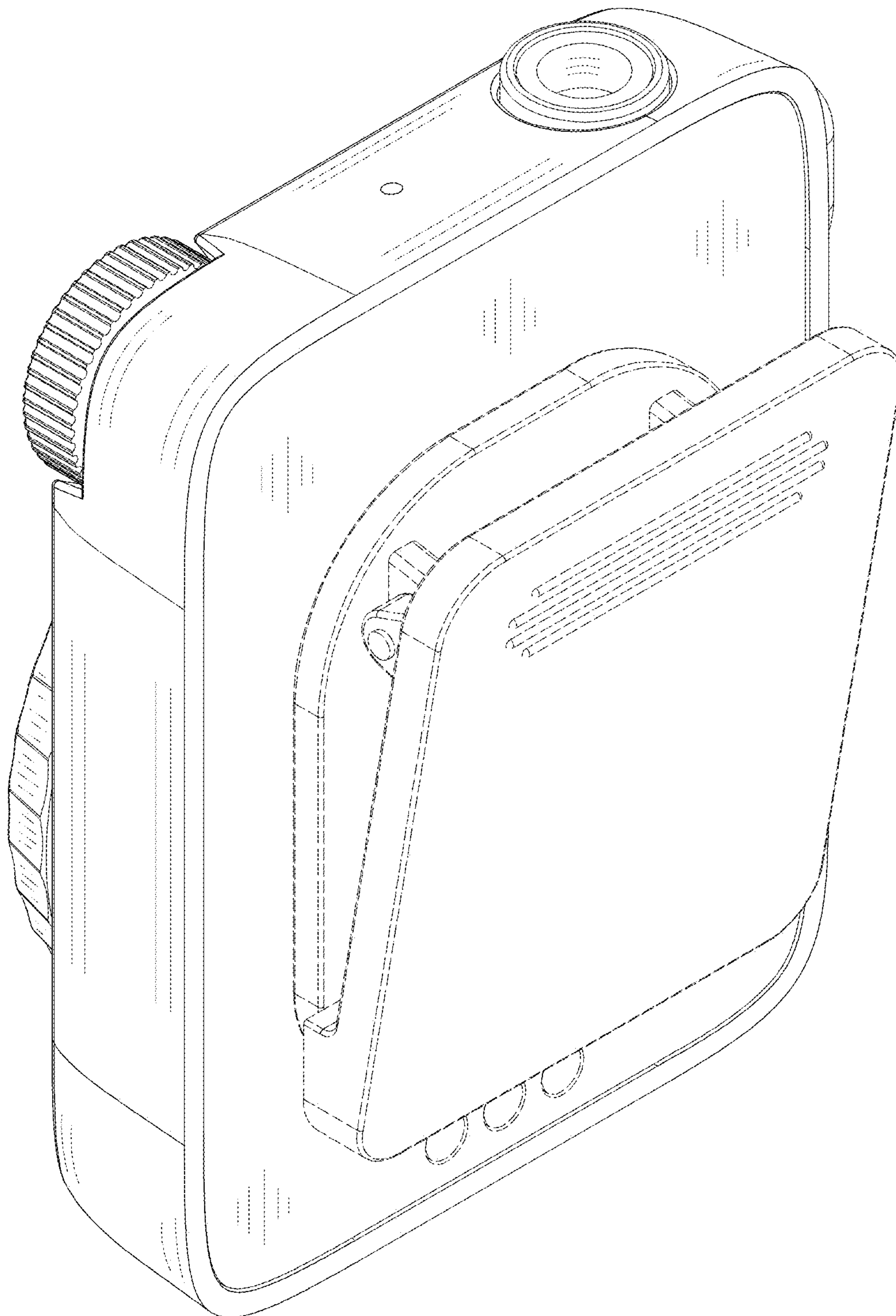


Fig.10

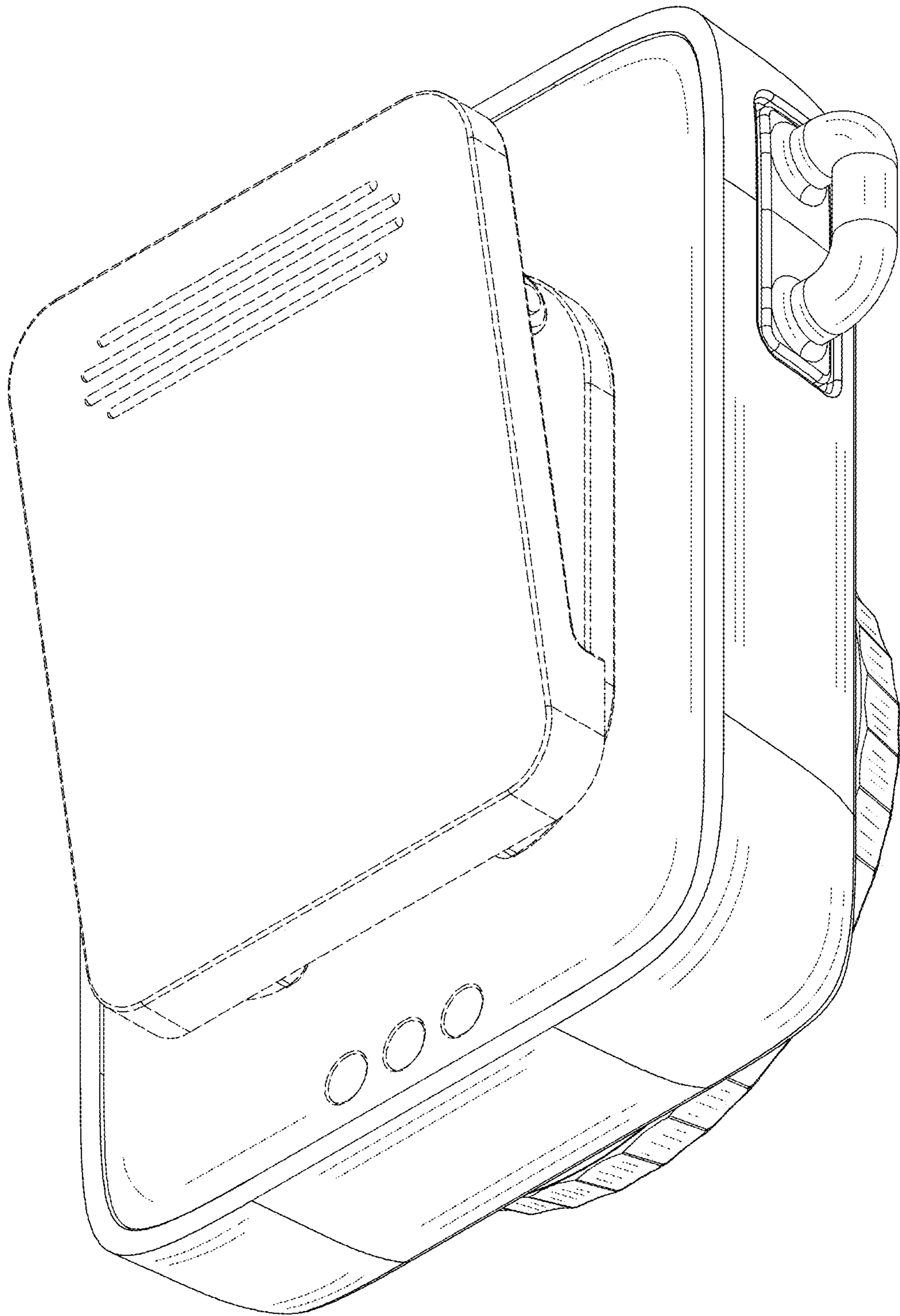


Fig. 11