



US00D873225S

(12) **United States Design Patent**
van Dijke et al.

(10) **Patent No.:** **US D873,225 S**
(45) **Date of Patent:** **** Jan. 21, 2020**

- (54) **HEATSINK**
- (71) Applicant: **OMRON Corporation**, Kyoto-shi, Kyoto (JP)
- (72) Inventors: **Casper van Dijke**, Den Bosch (NL); **Stan Vriezenga**, Nimegen (NL)
- (73) Assignee: **OMRON Corporation**, Kyoto (JP)

D496,939	S	*	10/2004	David	D14/439
D508,047	S	*	8/2005	Taniho	D14/314
D606,017	S	*	12/2009	Charlson	D13/110
8,605,434	B2	*	12/2013	Chao	G06F 1/182 361/690
D727,920	S	*	4/2015	Togawa	D14/441
D794,628	S	*	8/2017	Van Dijke	D14/300
D807,872	S	*	1/2018	Nomoto	D14/314
D808,381	S	*	1/2018	Van Dijke	D14/313
9,927,848	B2	*	3/2018	Van Dijke	H05K 5/0204

- (**) Term: **15 Years**
- (21) Appl. No.: **29/650,237**
- (22) Filed: **Jun. 5, 2018**

FOREIGN PATENT DOCUMENTS

DE 202016101176 U1 7/2016

(30) **Foreign Application Priority Data**

Dec. 6, 2017 (EM) 004537843

- (51) **LOC (12) Cl.** **13-03**
- (52) **U.S. Cl.**
USPC **D13/179**; D14/441
- (58) **Field of Classification Search**
USPC D13/179, 182; D15/199; D26/138, 141, D26/152, 142; D14/439, 441, 314, 448
CPC H01L 23/473; H01L 23/46; H01L 23/467; H01L 23/4006; H01L 23/4093; H01L 23/3672; H01L 23/367; H01L 23/36; H04R 9/022; H05K 5/0204
See application file for complete search history.

OTHER PUBLICATIONS

OMRON, "Industrial PC Platform> NYB", Accessed Oct. 9, 2019. (<http://www.omron-ap.co.nz/products/family/3631/dimension.html>) (Year: 2019).*

* cited by examiner

Primary Examiner — April Rivas

(74) *Attorney, Agent, or Firm* — Capitol City TechLaw

(57) **CLAIM**

The ornamental design for a heatsink, as shown.

DESCRIPTION

FIG. 1 is a front, top, and left side perspective view of a heatsink showing our new design;
 FIG. 2 is a rear, bottom, and left side perspective view thereof;
 FIG. 3 is a front view thereof;
 FIG. 4 is a rear view thereof;
 FIG. 5 is a left side view thereof;
 FIG. 6 is a right side view thereof;
 FIG. 7 is a top view thereof; and,
 FIG. 8 is a bottom view thereof.

(56) **References Cited**

U.S. PATENT DOCUMENTS

D375,725	S	*	11/1996	Dodson	D13/179
D398,589	S	*	9/1998	Dodson	D13/179
D403,666	S	*	1/1999	Maack	D13/179
D407,714	S	*	4/1999	Yeh	D14/439
D428,892	S	*	8/2000	Haimson	D14/441
D449,587	S	*	10/2001	Cronin	D13/179
D483,019	S	*	12/2003	Cook	D13/179
D490,785	S	*	6/2004	Boylan	D13/182

1 Claim, 6 Drawing Sheets

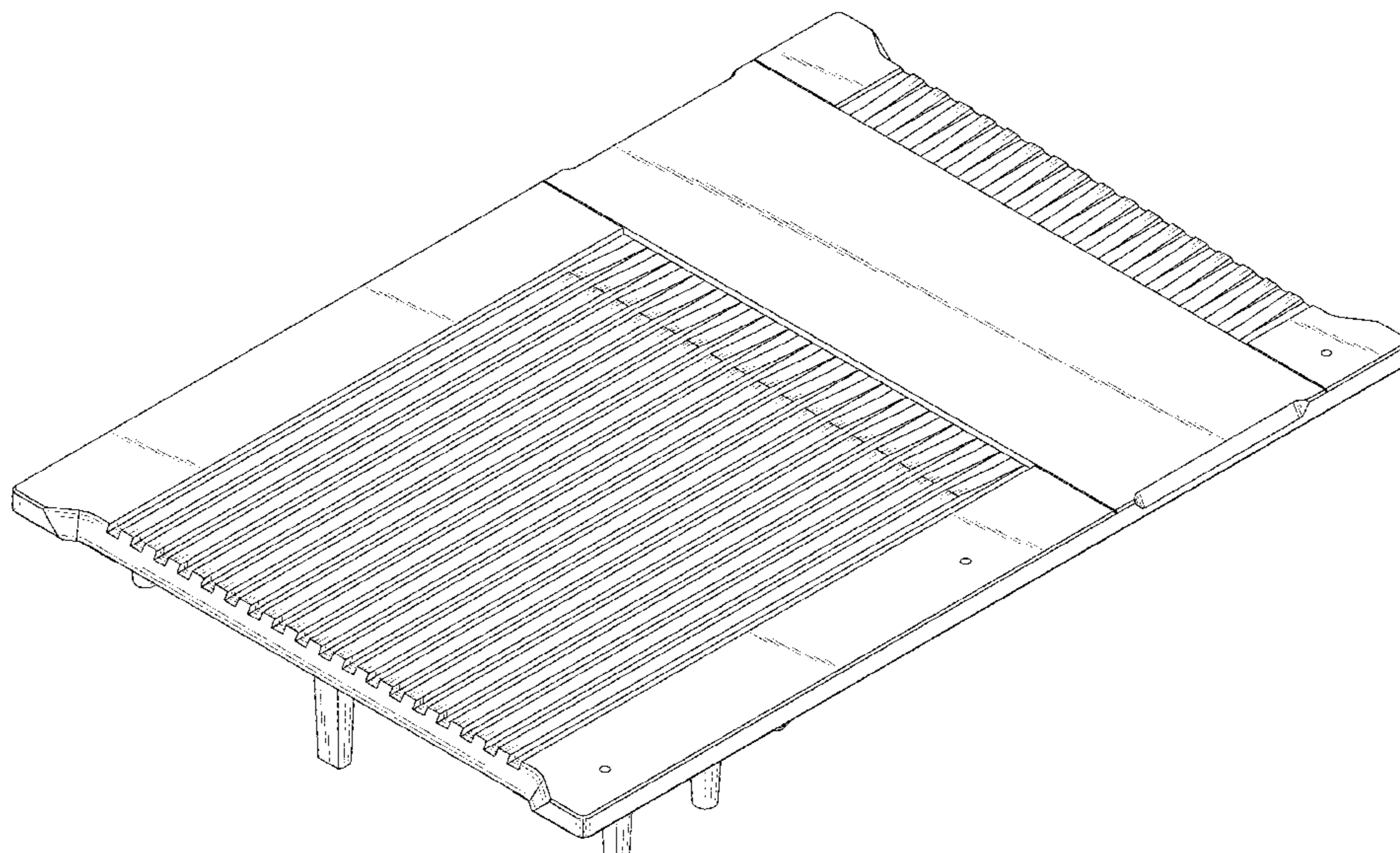
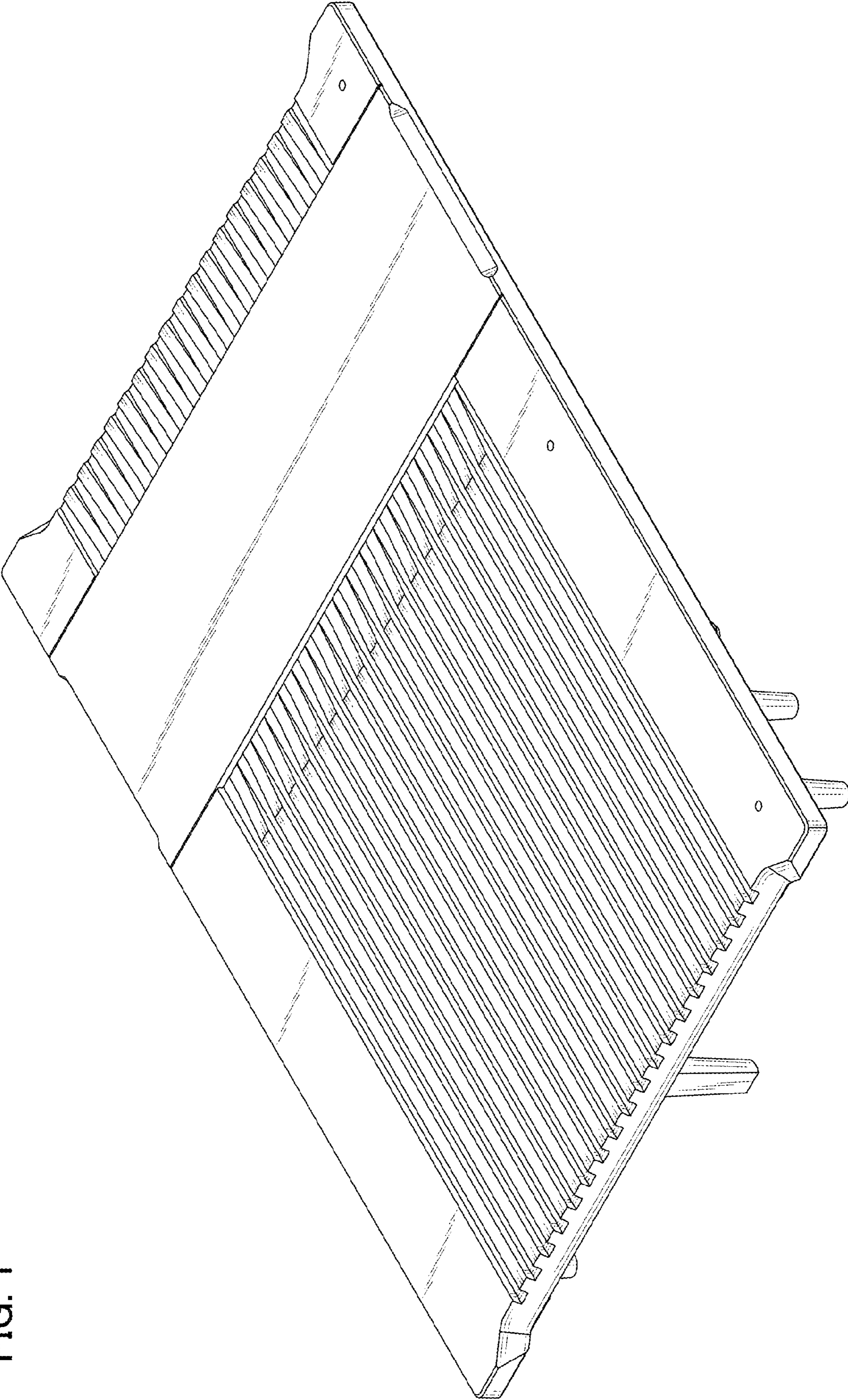


FIG. 1



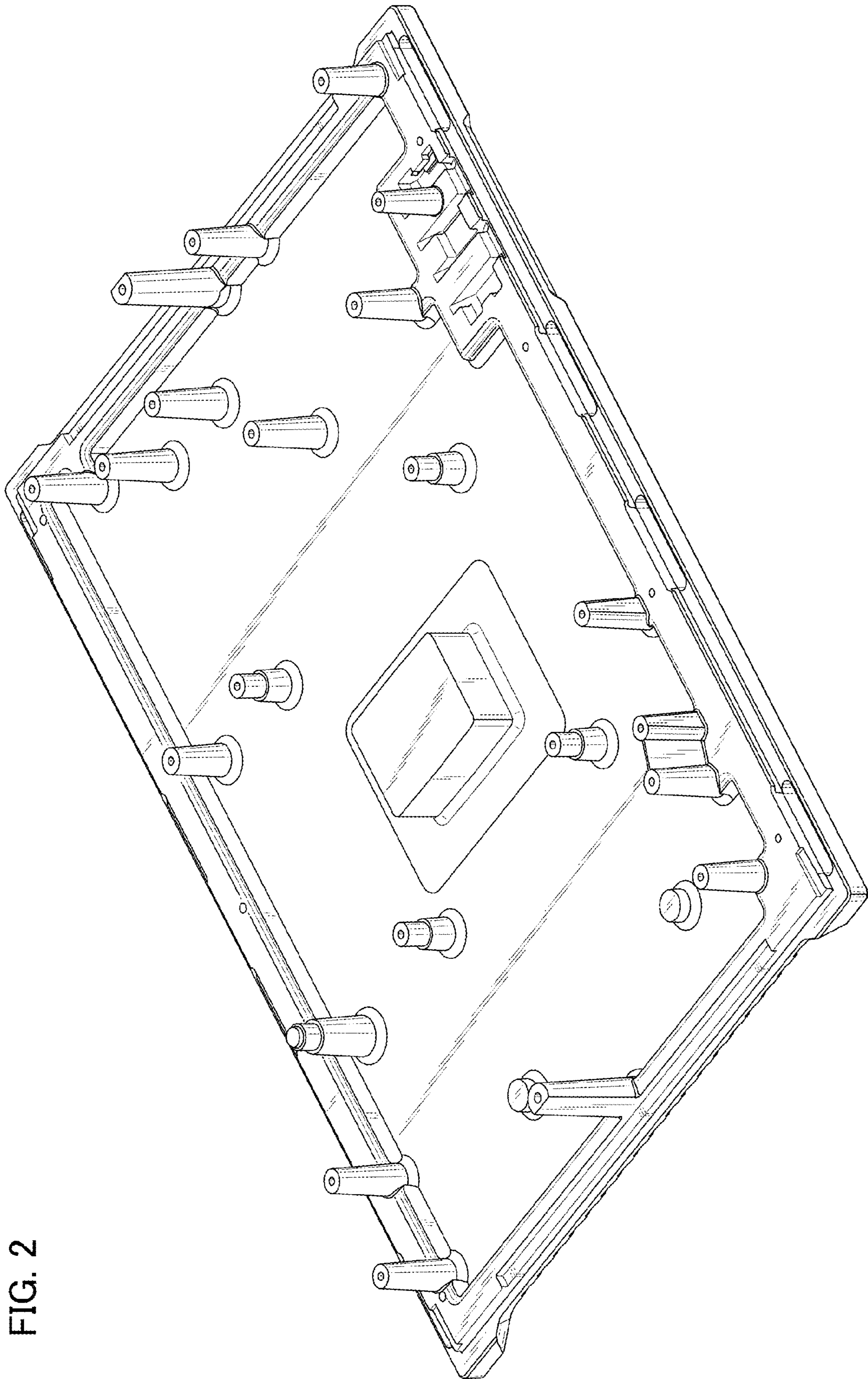


FIG. 2

FIG. 3

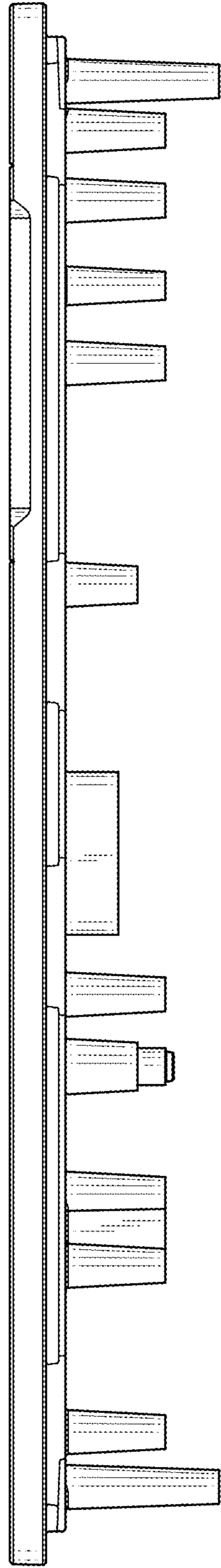


FIG. 4

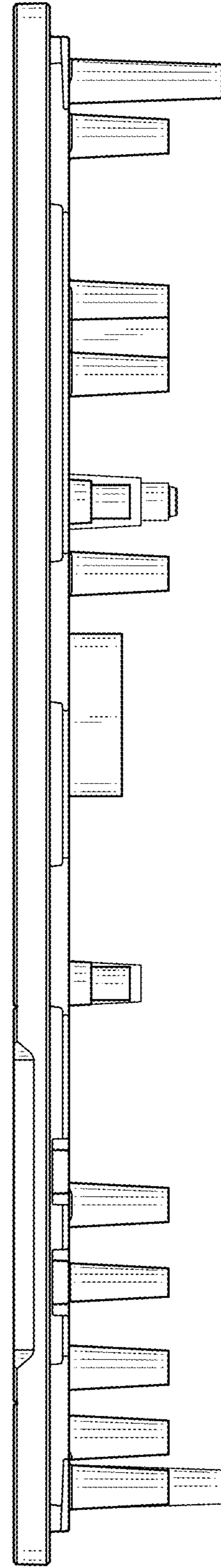


FIG. 5

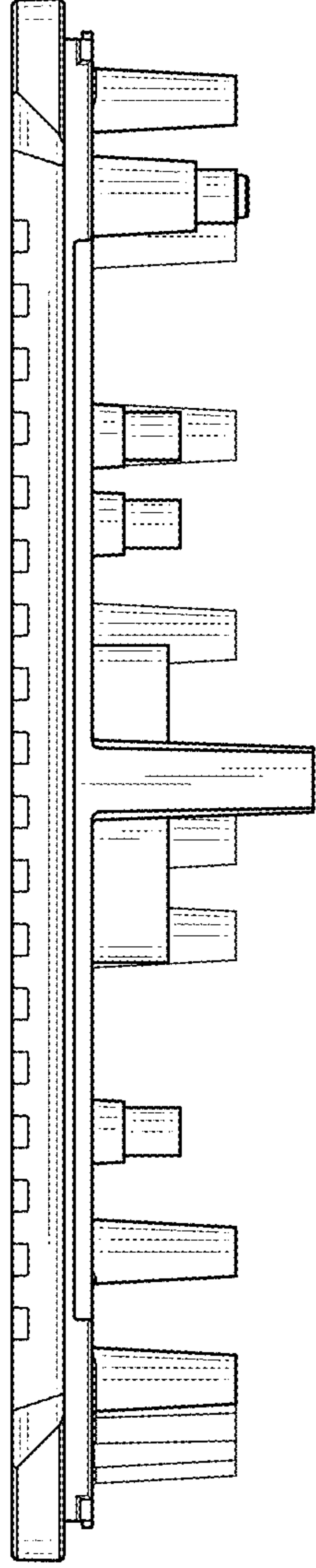
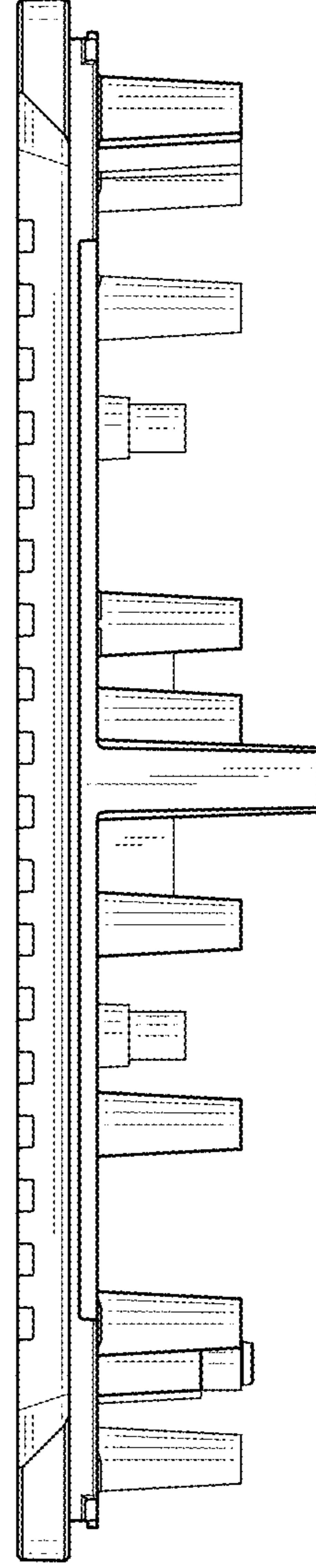


FIG. 6



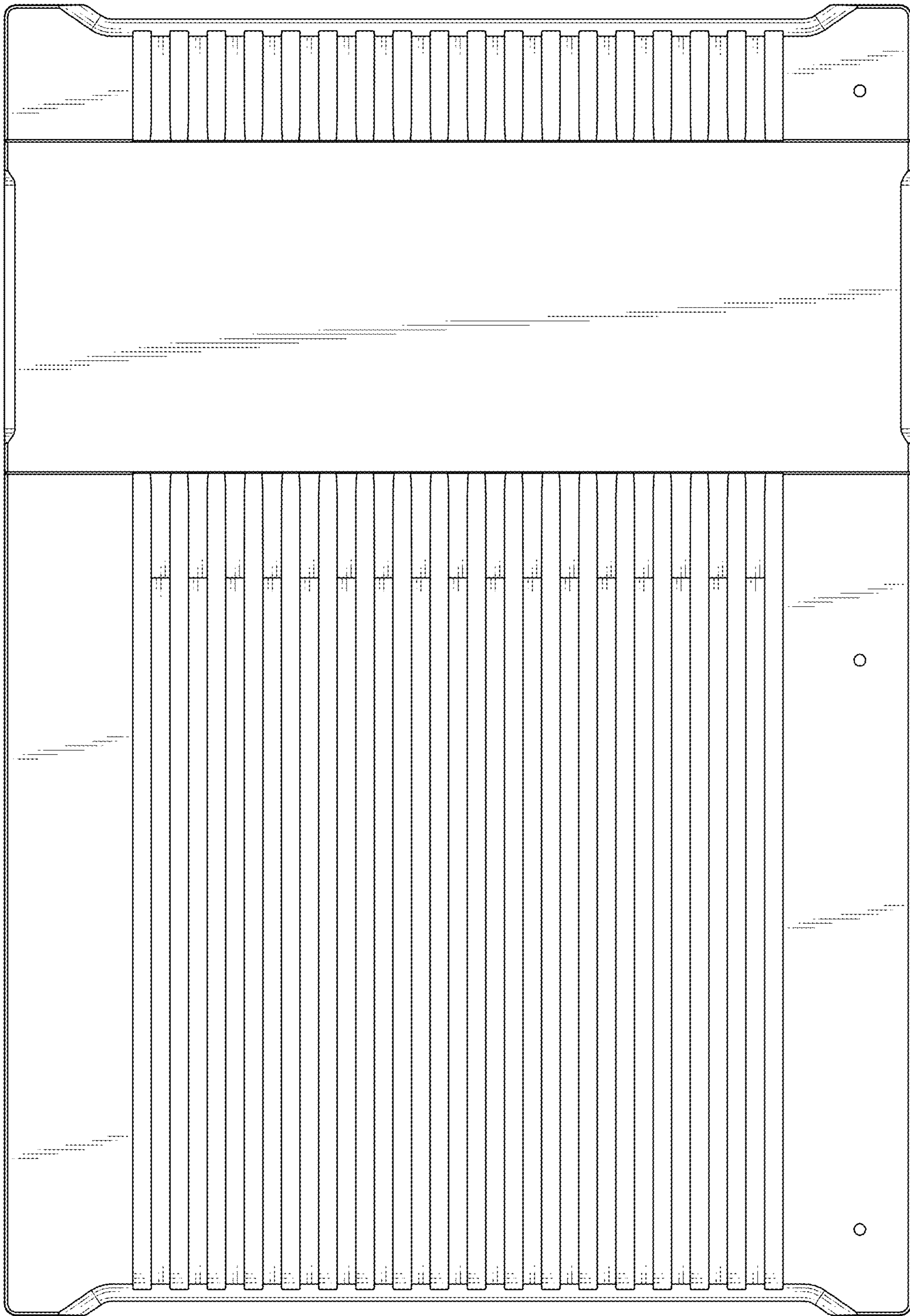


FIG. 7

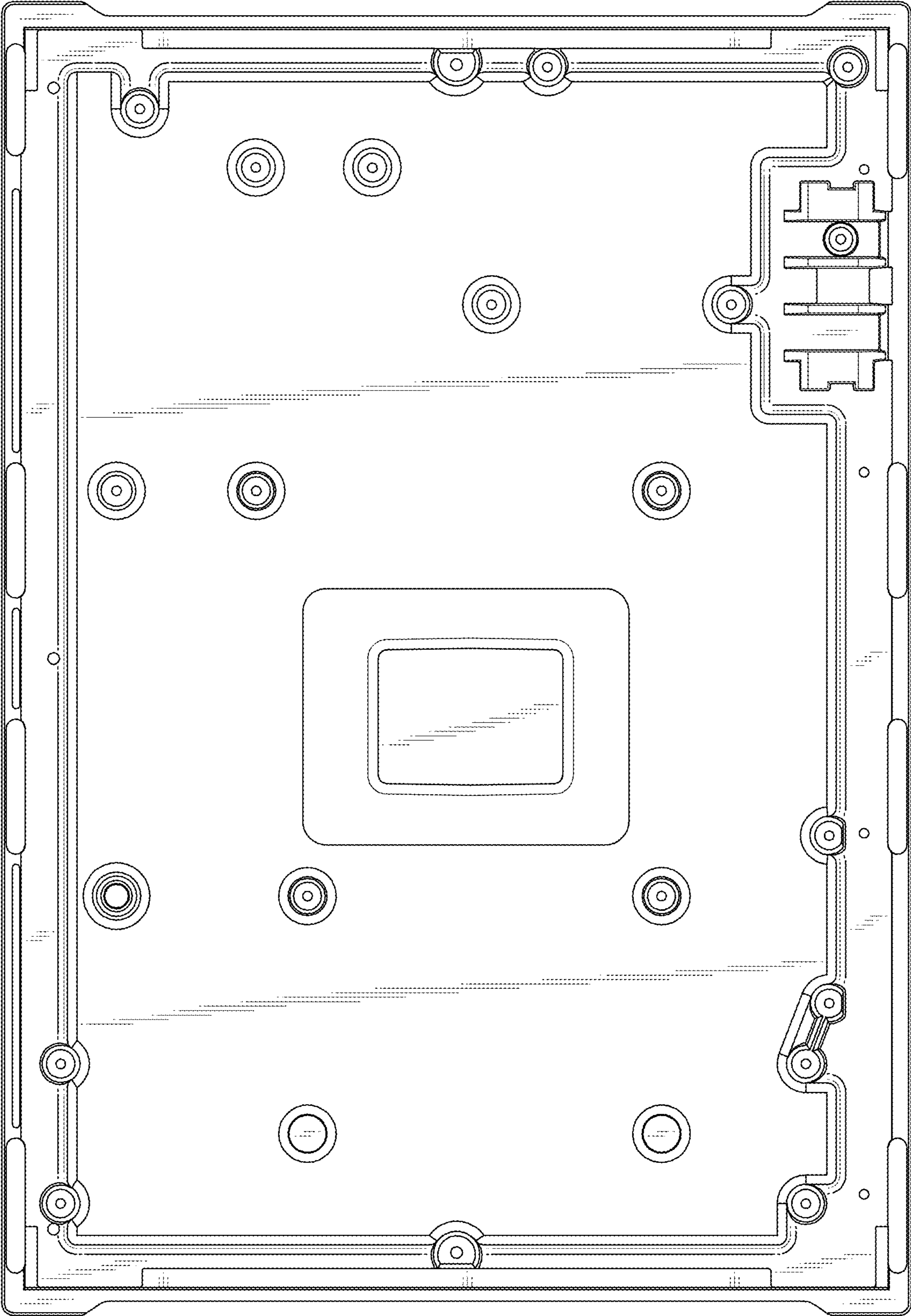


FIG. 8