



US00D873223S

(12) **United States Design Patent**
Ice et al.

(10) **Patent No.:** **US D873,223 S**
(45) **Date of Patent:** **** Jan. 21, 2020**

- (54) **SURFACE-MOUNTABLE HEAT SINK**
- (71) Applicants: **Chad Ice**, Nashville, TN (US); **Vernon Price**, Hendersonville, TN (US)
- (72) Inventors: **Chad Ice**, Nashville, TN (US); **Vernon Price**, Hendersonville, TN (US)
- (73) Assignee: **OSRAM SYLVANIA Inc.**, Wilmington, MA (US)
- (**) Term: **15 Years**

D390,539 S *	2/1998	Campanella	D13/179
D394,043 S *	5/1998	Campanella	D13/179
D407,381 S *	3/1999	Campanella	D13/179
D409,157 S *	5/1999	Holland	D13/179
D422,970 S *	4/2000	Guerrero	D13/179
D469,337 S *	1/2003	Chen	D13/179
D484,856 S *	1/2004	Ajiki	D13/182
D513,171 S *	12/2005	Richardson	D25/133
D516,528 S *	3/2006	Nakamura	D13/182
D531,965 S *	11/2006	Stathakis	H01L 23/427 D13/179
D774,874 S *	12/2016	Wentzel	D8/349
D805,044 S *	12/2017	Sakai	D13/182
D833,670 S *	11/2018	Zhao	D26/142

- (21) Appl. No.: **29/627,131**
- (22) Filed: **Nov. 22, 2017**

Related U.S. Application Data

- (63) Continuation-in-part of application No. 29/605,144, filed on May 24, 2017.
- (51) **LOC (12) Cl.** **13-03**
- (52) **U.S. Cl.**
USPC **D13/179**
- (58) **Field of Classification Search**
USPC D13/179, 182; D15/199; D26/138, 141, D26/152, 142
CPC ... H01L 23/473; H01L 23/4735; H01L 23/46; H01L 23/467; H01L 23/4006; H01L 23/427; H01L 23/3672; F28D 15/00; F28D 15/02; F28D 15/0275; G06F 1/20; G06F 2200/201
See application file for complete search history.

(56) **References Cited**

U.S. PATENT DOCUMENTS

D300,738 S *	4/1989	Jordan	D13/179
D361,986 S *	9/1995	Harmon	D13/179
D376,349 S *	12/1996	Campanella	D13/179

OTHER PUBLICATIONS

Newark, "CLP-212G—Heat Sink Clip, TO-220 Packages, 18.9 mm×10 mm", accessed Jan. 28, 2019. (<https://www.newark.com/aavid-thermalloy/clp-212g/heat-sink/dp/06M5904>) (Year: 2019).*

(Continued)

Primary Examiner — April Rivas

(74) *Attorney, Agent, or Firm* — Edward S. Podszus

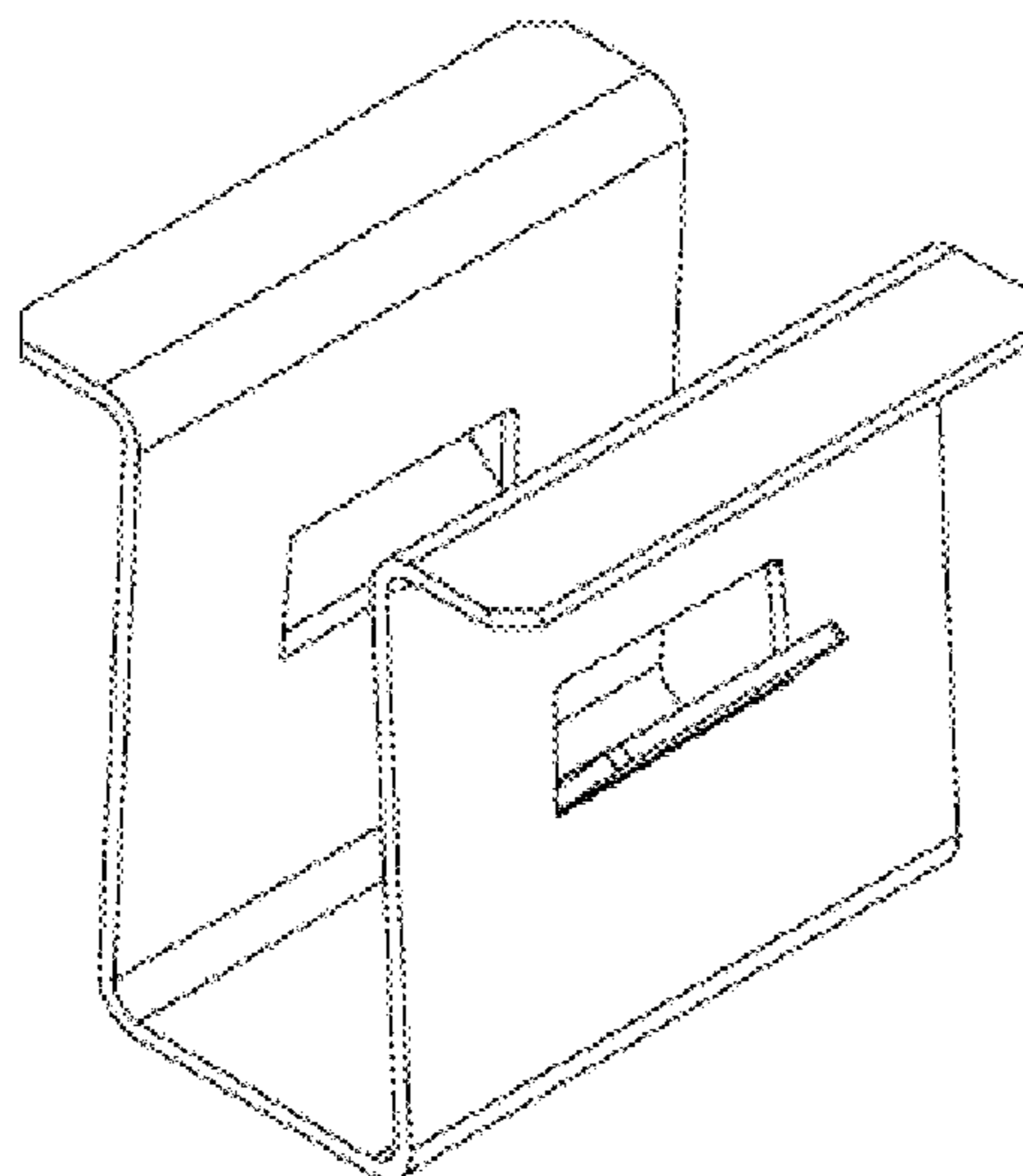
(57) **CLAIM**

The ornamental design for a surface-mountable heat sink, as shown and described.

DESCRIPTION

FIG. 1 is a top view of the design for a surface-mountable heat sink;
 FIG. 2 is a front elevational view thereof, the opposite rear view being the same;
 FIG. 3 is a side elevational view thereof, the opposite side view being the same;
 FIG. 4 is a bottom view thereof;
 FIG. 5 is a front, top perspective view thereof; and,
 FIG. 6 is a bottom perspective view thereof.

1 Claim, 6 Drawing Sheets



(56)

References Cited

OTHER PUBLICATIONS

Environmental Lighting, "Mounting Clip for E-Lite LED Under Cabinet Light Bars", Accessed Jan. 28, 2019. (<https://www.environmentallights.com/17872-el-led-mc.html>) (Year: 2019).*

Baknor, "Stamped Heat Sink", Wayback machine cache Jun. 10, 2015. (<http://www.baknorthermal.com/heat-sinks/stamped-heat-sinks>) (Year: 2015).*

* cited by examiner

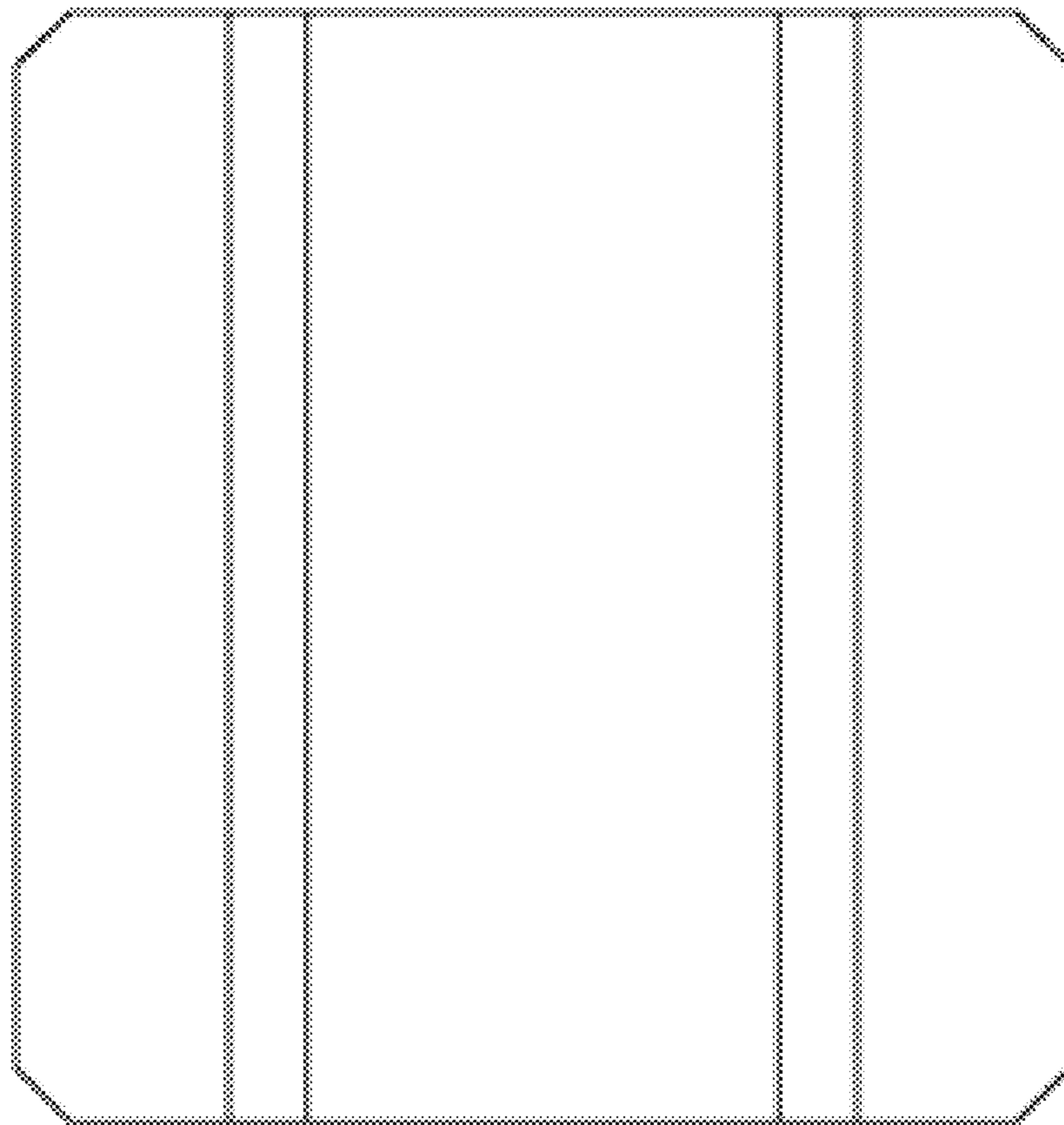


FIG. 1

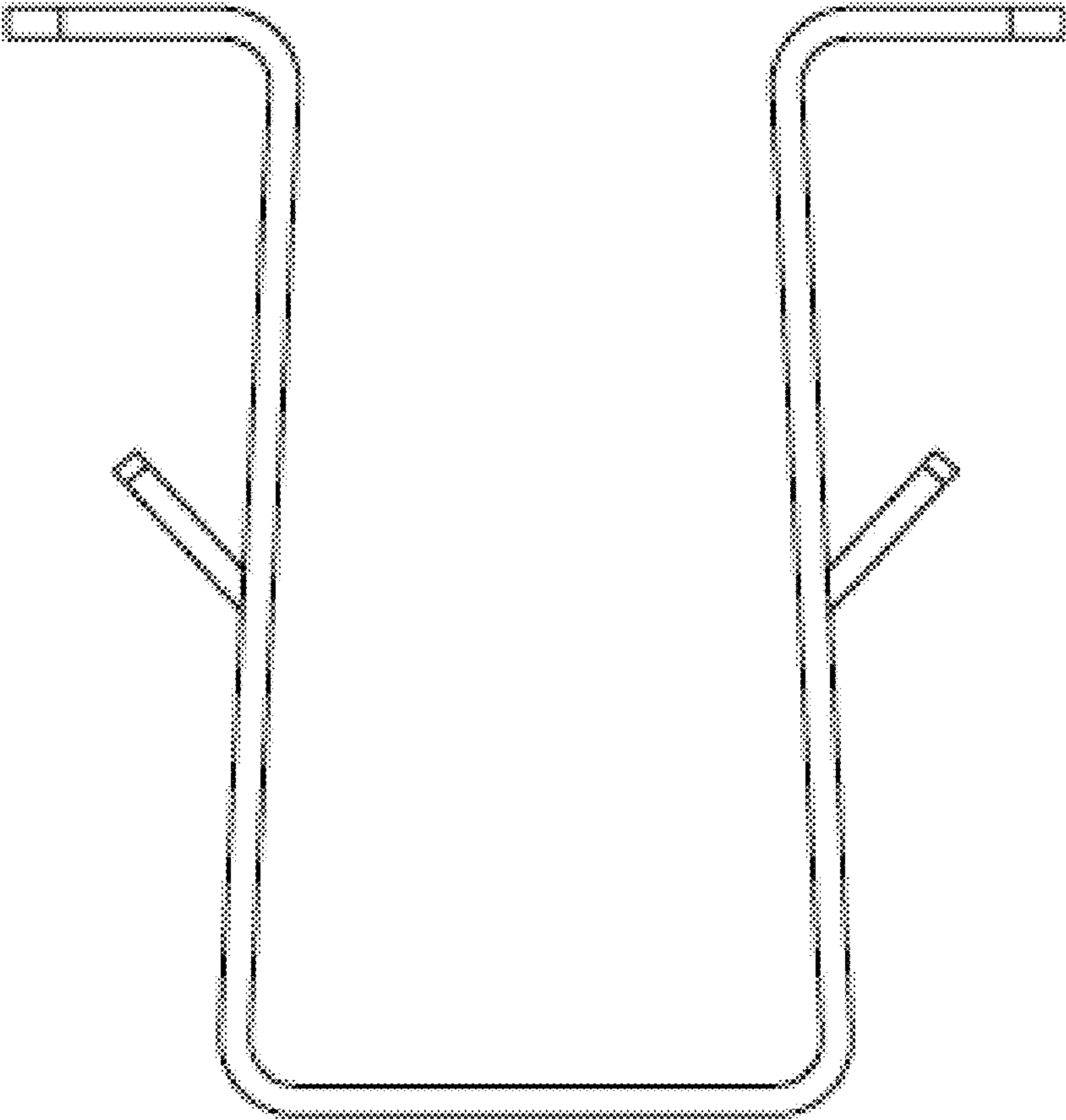


FIG. 2

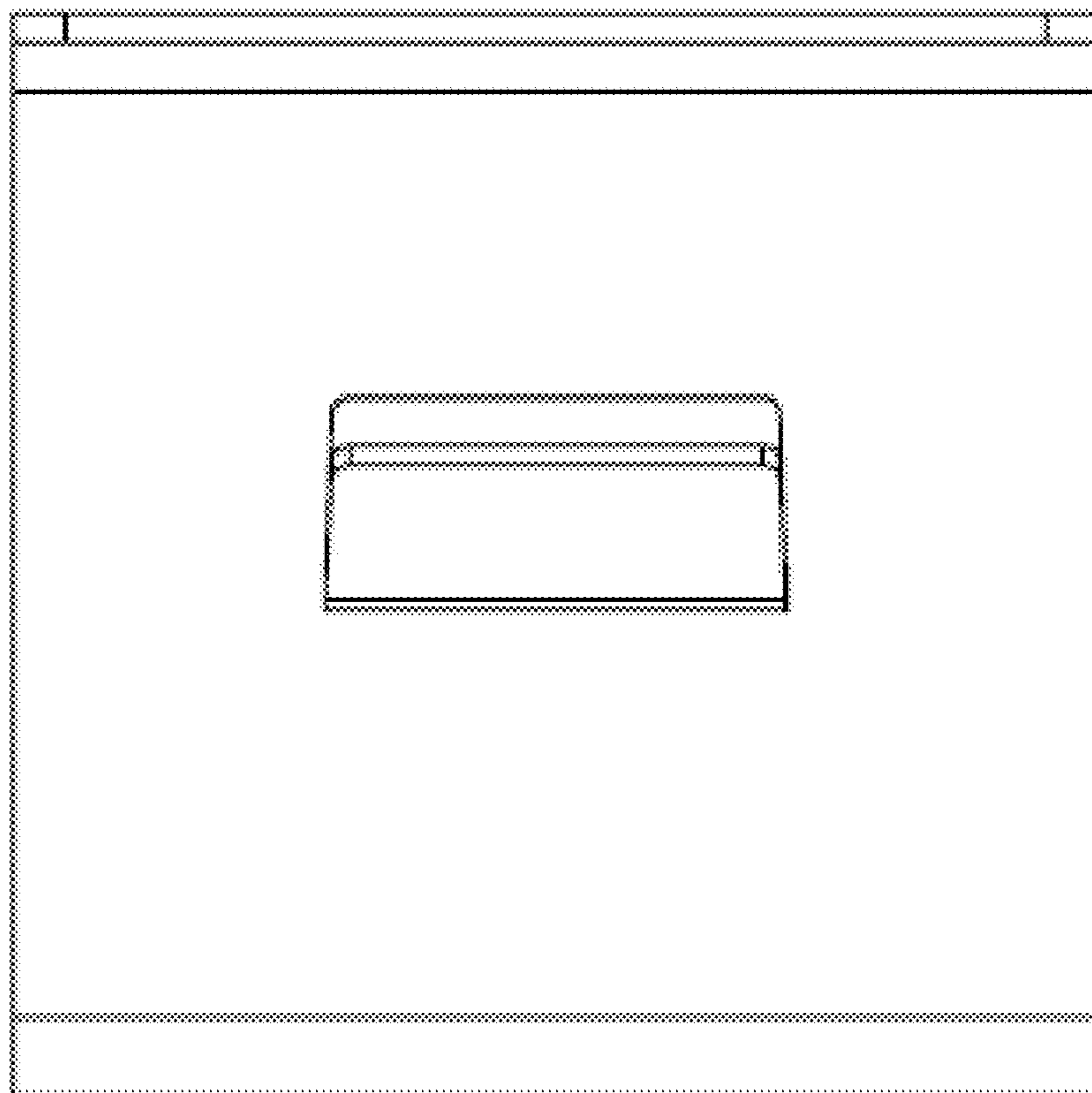


FIG. 3

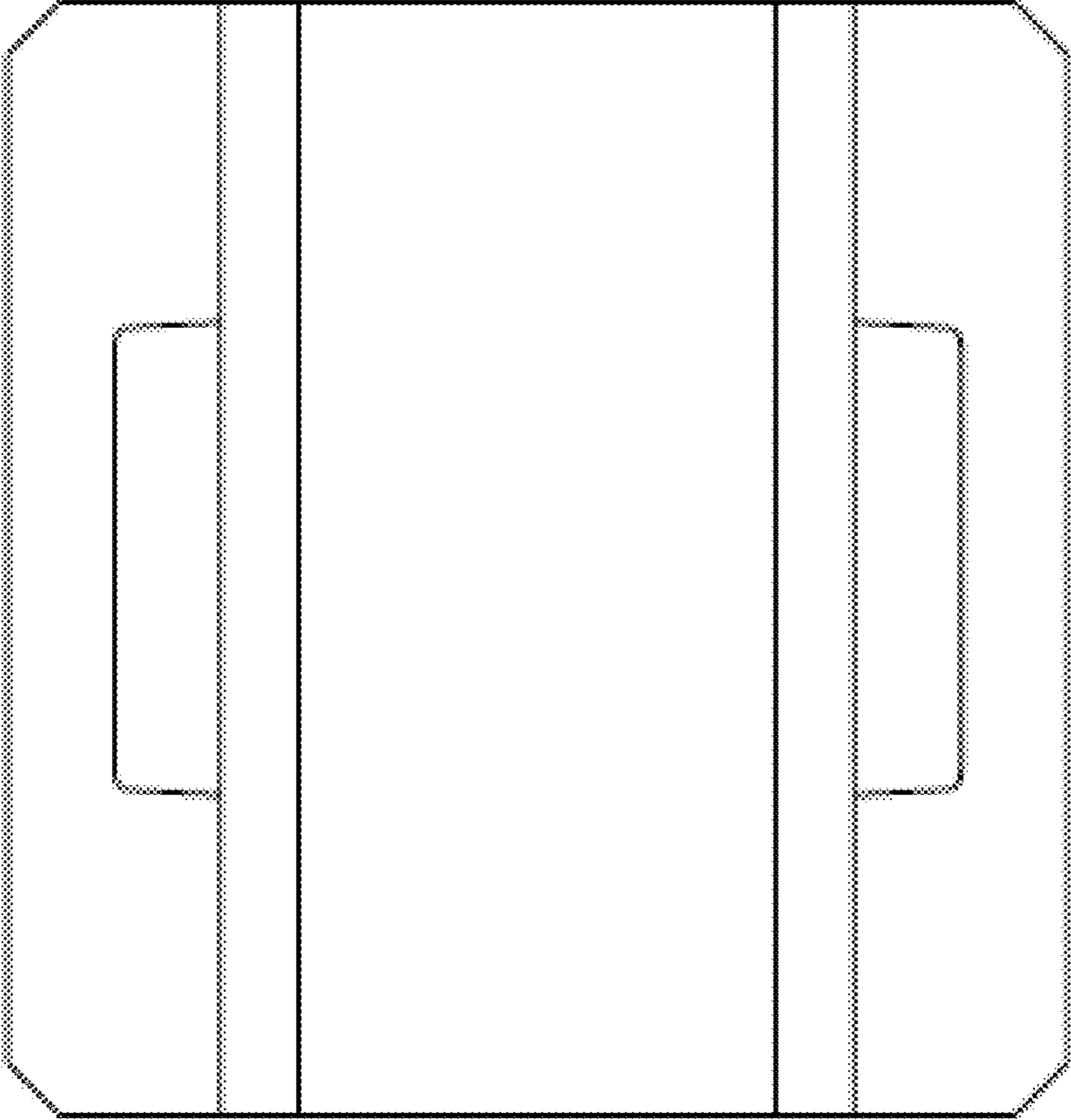


FIG. 4

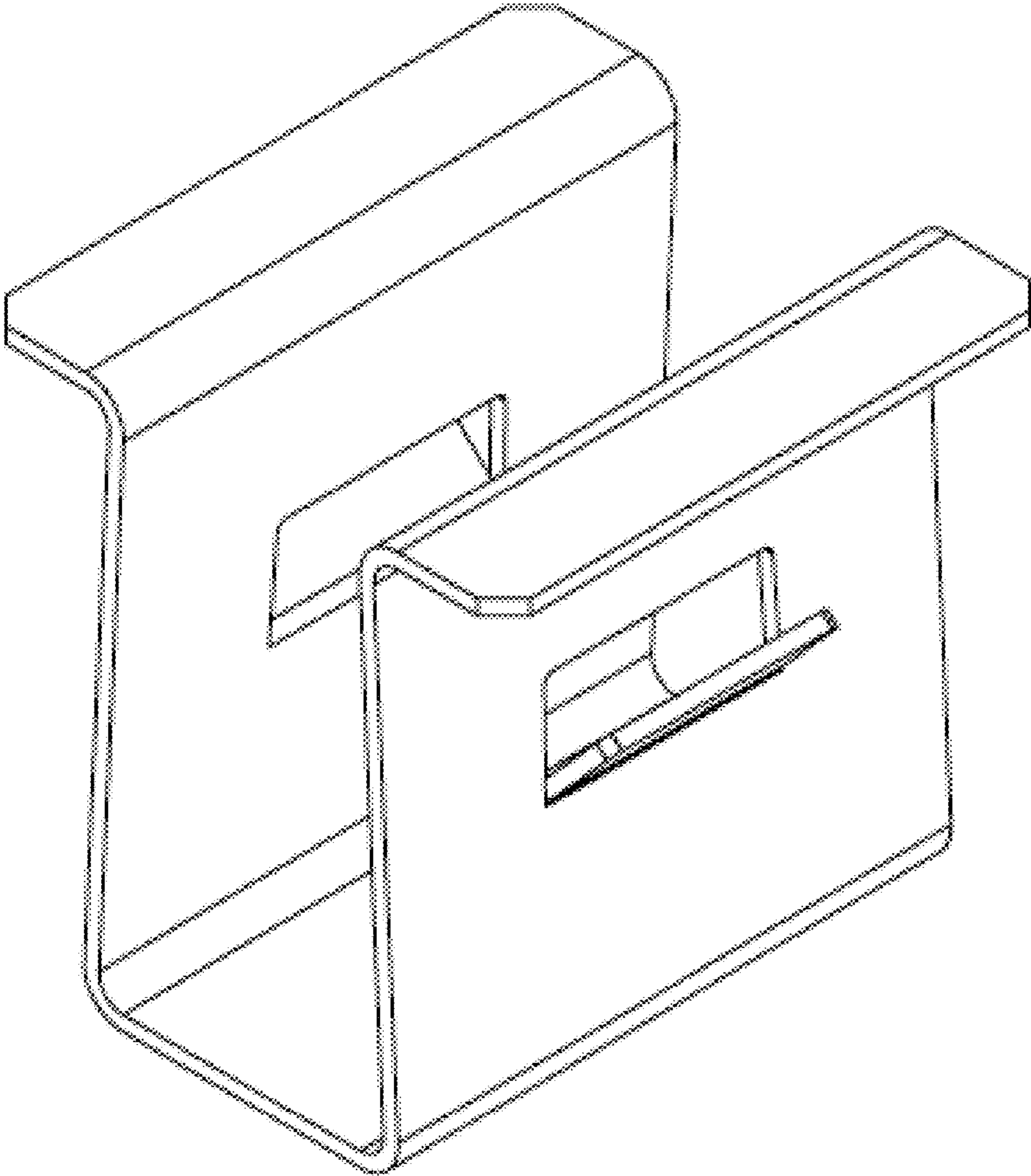


FIG. 5

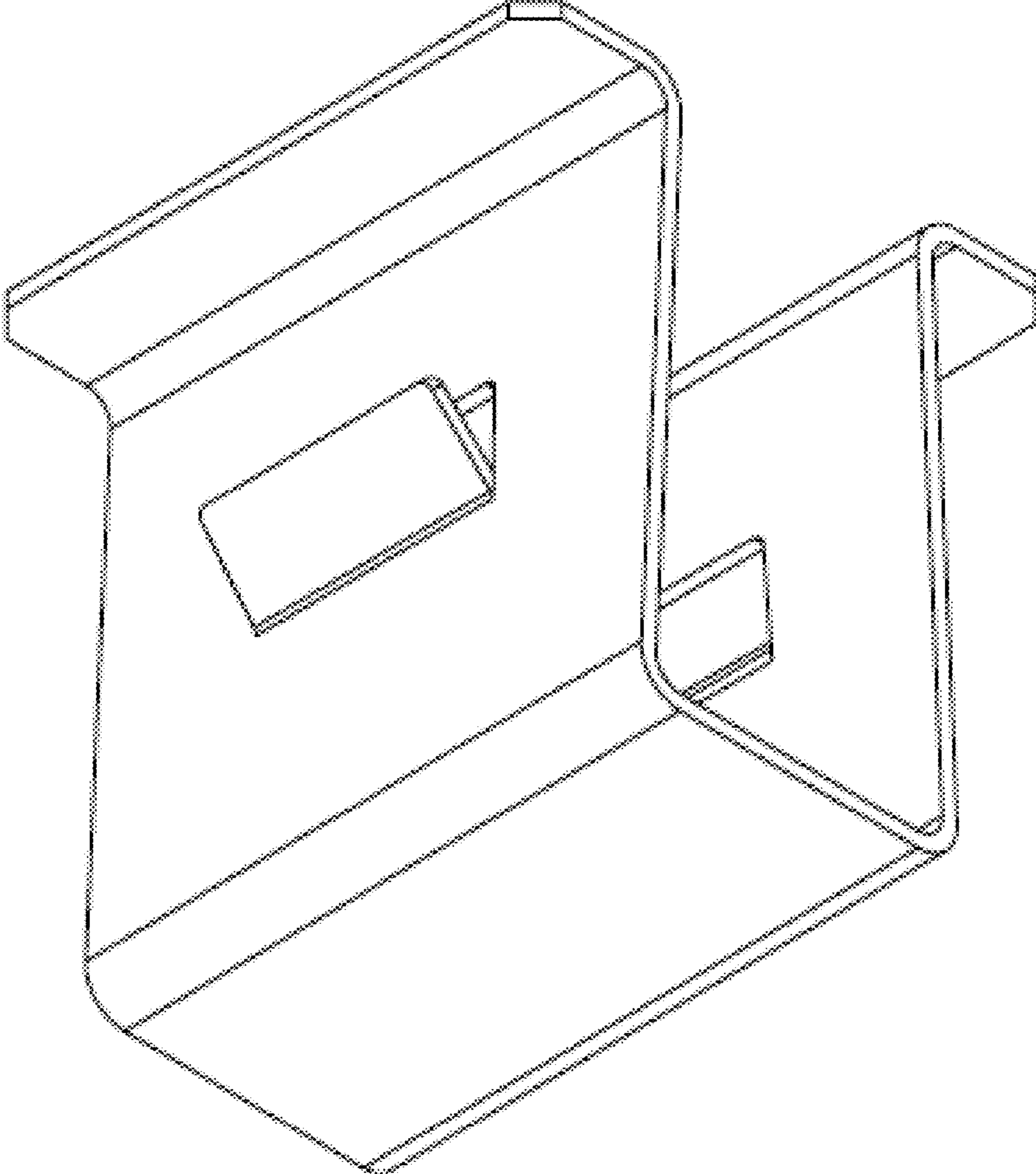


FIG. 6