

US00D873222S

(12) **United States Design Patent**
Altonen et al.

(10) **Patent No.:** **US D873,222 S**
(45) **Date of Patent:** **** Jan. 21, 2020**

(54) **CONTROL DEVICE**

(71) Applicant: **Lutron Technology Company LLC**,
Coopersburg, PA (US)

(72) Inventors: **Gregory S. Altonen**, Easton, PA (US);
Nikhil V. Bhate, East Norriton, PA
(US); **Jonathan Dersch**, Fountain Hill,
PA (US); **Jason C. Killo**, Emmaus, PA
(US); **Brad M. Kreschollek**,
Bethlehem, PA (US); **Ritesh Maharjan**,
Bethlehem, PA (US); **Matthew P.**
McDonald, Phoenixville, PA (US)

(73) Assignee: **Lutron Technology Company LLC**,
Coopersburg, PA (US)

(**) Term: **15 Years**

(21) Appl. No.: **29/635,800**

(22) Filed: **Feb. 2, 2018**

(51) **LOC (12) Cl.** **14-03**

(52) **U.S. Cl.**
USPC **D13/168**

(58) **Field of Classification Search**
USPC D13/137.3, 158, 162, 168, 171
(Continued)

(56) **References Cited**

U.S. PATENT DOCUMENTS

D307,579 S * 5/1990 Layne D13/137.3
6,005,210 A * 12/1999 Chien H01H 1/585
200/14

(Continued)

OTHER PUBLICATIONS

Inline Switches and Dimmers ; prior to Feb. 2, 2018; 1 pg.
https://www.google.com/search?hl=en&biw=1536&bih=813&tbs=cd%3A1%2Ccd_max%3A2%2F2%2F2017&tbm=isch&sa=1&ei=a9Z3XdalM_GO5wL1kJ6IBQ&q=+in+line+lamp+dimmer+switch

&eq=+in+line+lamp+dimmer+switch&gs_i=img.3..0.226158.232292..
232772...0.0..0.70.332.6.....0 . . *

Primary Examiner — Selina Sikder

(74) *Attorney, Agent, or Firm* — Philip Smith; Glen
Farbanish; Amy Yanek

(57) **CLAIM**

The ornamental design for a control device, as shown and
described.

DESCRIPTION

FIG. 1 is a front perspective view of a control device
showing our new design.

FIG. 2 is a front view thereof.

FIG. 3 is a left side view thereof.

FIG. 4 is a right side view thereof.

FIG. 5 is a top view thereof.

FIG. 6 is a bottom view thereof.

FIG. 7 is a front perspective view of a second embodiment
thereof.

FIG. 8 is a front view thereof.

FIG. 9 is a left side view thereof.

FIG. 10 is a right side view thereof.

FIG. 11 is a top view thereof.

FIG. 12 is a bottom view thereof.

FIG. 13 is a front perspective view of a third embodiment
thereof.

FIG. 14 is a front view thereof.

FIG. 15 is a left side view thereof.

FIG. 16 is a right side view thereof.

FIG. 17 is a top view thereof;

FIG. 18 is a bottom view thereof.

FIG. 19 is a front perspective view of a fourth embodiment
thereof.

FIG. 20 is a front view thereof.

FIG. 21 is a left side view thereof.

FIG. 22 is a right side view thereof.

FIG. 23 is a top view thereof.

FIG. 24 is a bottom view thereof.

FIG. 25 is a front perspective view of a fifth embodiment
thereof.

FIG. 26 is a front view thereof.

(Continued)

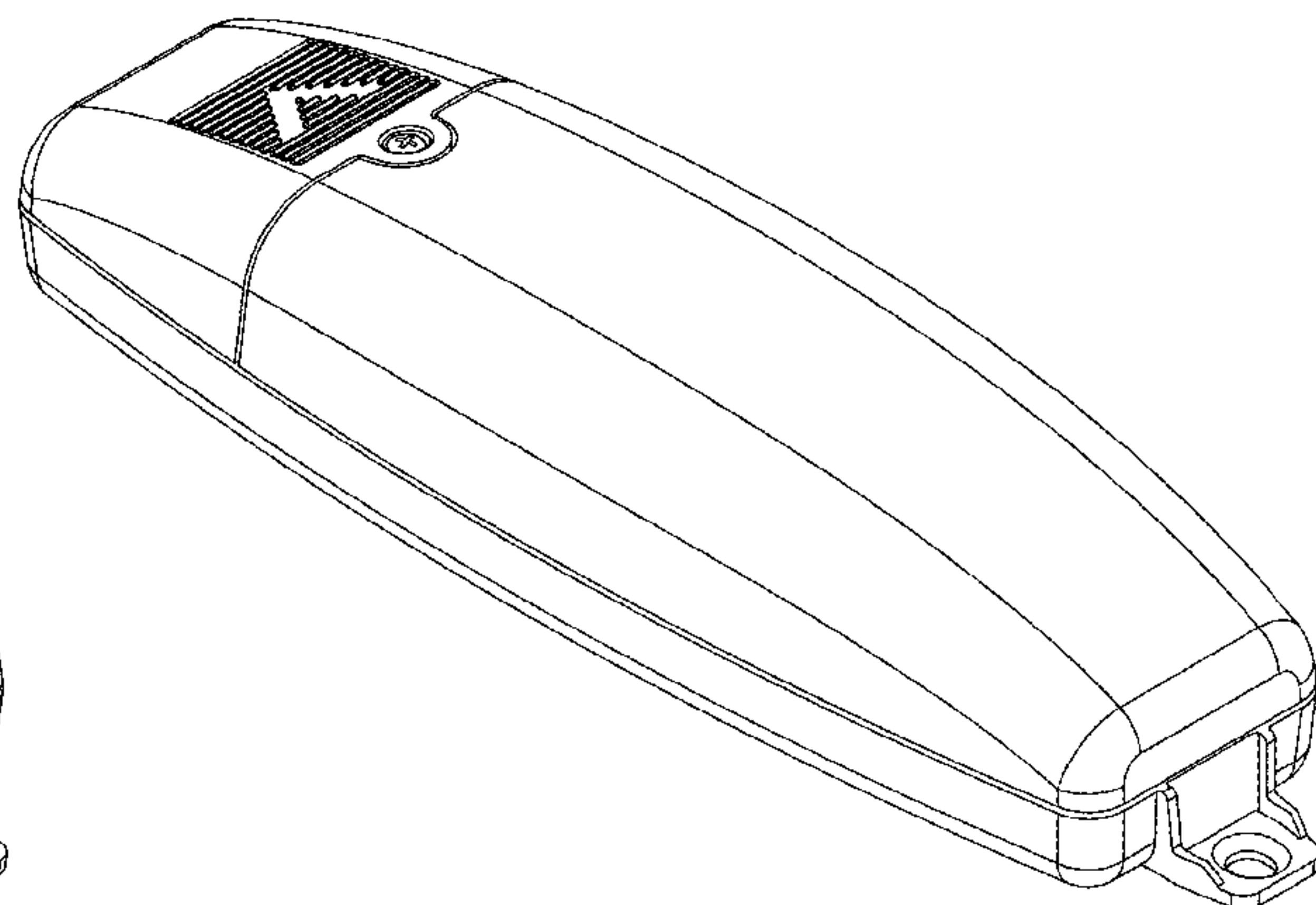
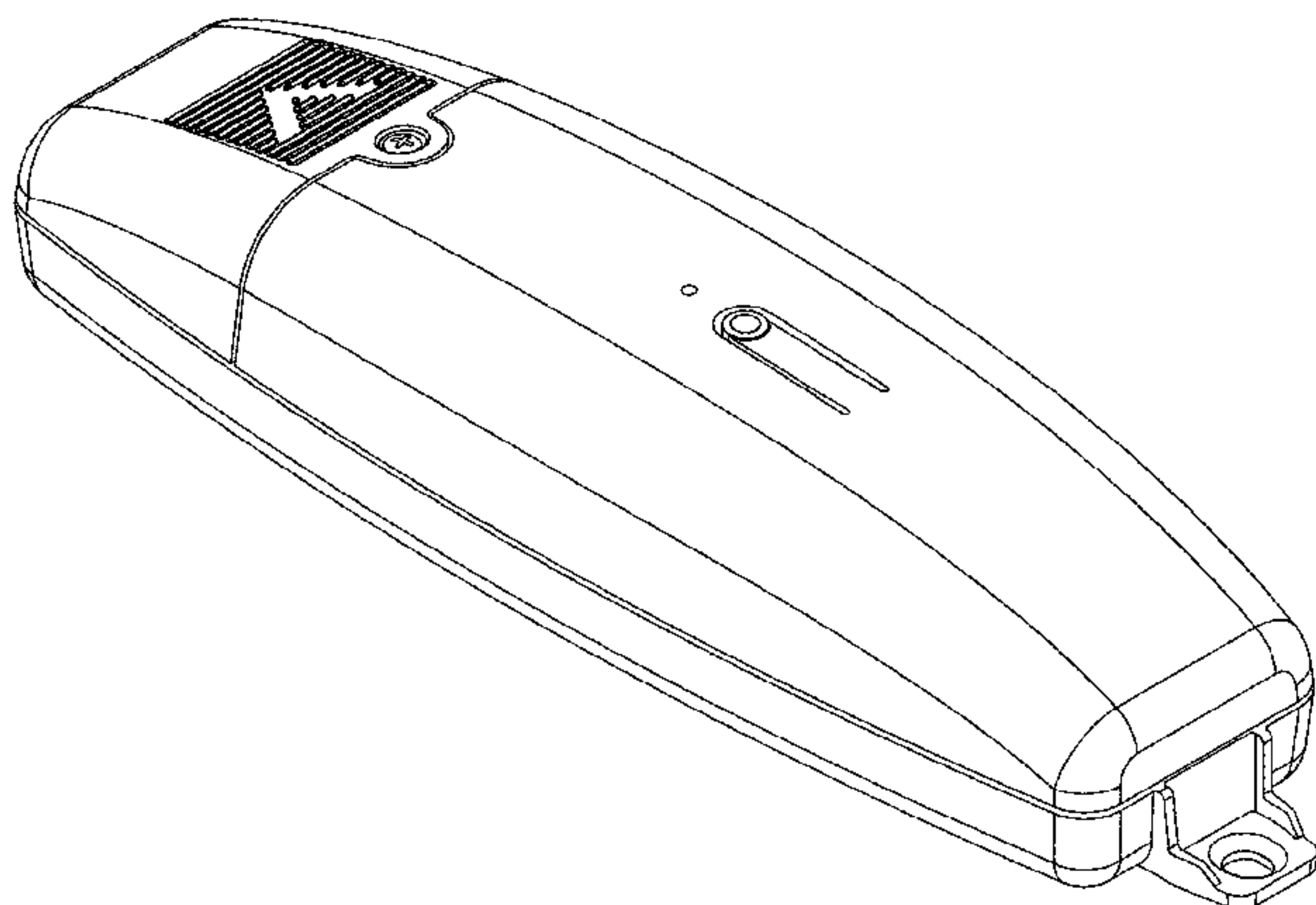


FIG. 27 is a left side view thereof.
 FIG. 28 is a right side view thereof.
 FIG. 29 is a top view thereof.
 FIG. 30 is a bottom view thereof.
 FIG. 31 is a front perspective view of a sixth embodiment thereof.
 FIG. 32 is a front view thereof.
 FIG. 33 is a left side view thereof.
 FIG. 34 is a right side view thereof.
 FIG. 35 is a top view thereof; and,
 FIG. 36 is a bottom view thereof.
 The rear views form no part of the claimed design and are omitted.
 The uniform dashed broken lines illustrate structure or features which form no part of the claimed design.

1 Claim, 24 Drawing Sheets

(58) **Field of Classification Search**
 CPC .. H01H 9/0228; H01H 9/0235; H01H 9/0242;

H05B 37/02; H05B 37/0245; H05B 37/0272; H05B 33/0845

See application file for complete search history.

(56)

References Cited

U.S. PATENT DOCUMENTS

6,255,613	B1 *	7/2001	Yang	H01H 9/0228 200/553
D626,921	S *	11/2010	Pang	D13/158
D630,593	S *	1/2011	Clymer	D13/160
8,008,628	B2 *	8/2011	Boucly	A61B 6/145 250/370.09
D726,130	S *	4/2015	Burgett	D13/171
9,332,615	B1 *	5/2016	Peng	H01H 9/0228
9,666,006	B2 *	5/2017	Kramer	G07C 9/00896
D818,971	S *	5/2018	Peng	D13/171
D830,979	S *	10/2018	Hung	D13/171
2011/0050106	A1 *	3/2011	Yang	H05B 37/0281 315/133
2012/0305375	A1 *	12/2012	Kwok	H01H 1/5866 200/293
2016/0380424	A1 *	12/2016	Aromin	H01H 9/0228 361/50

* cited by examiner

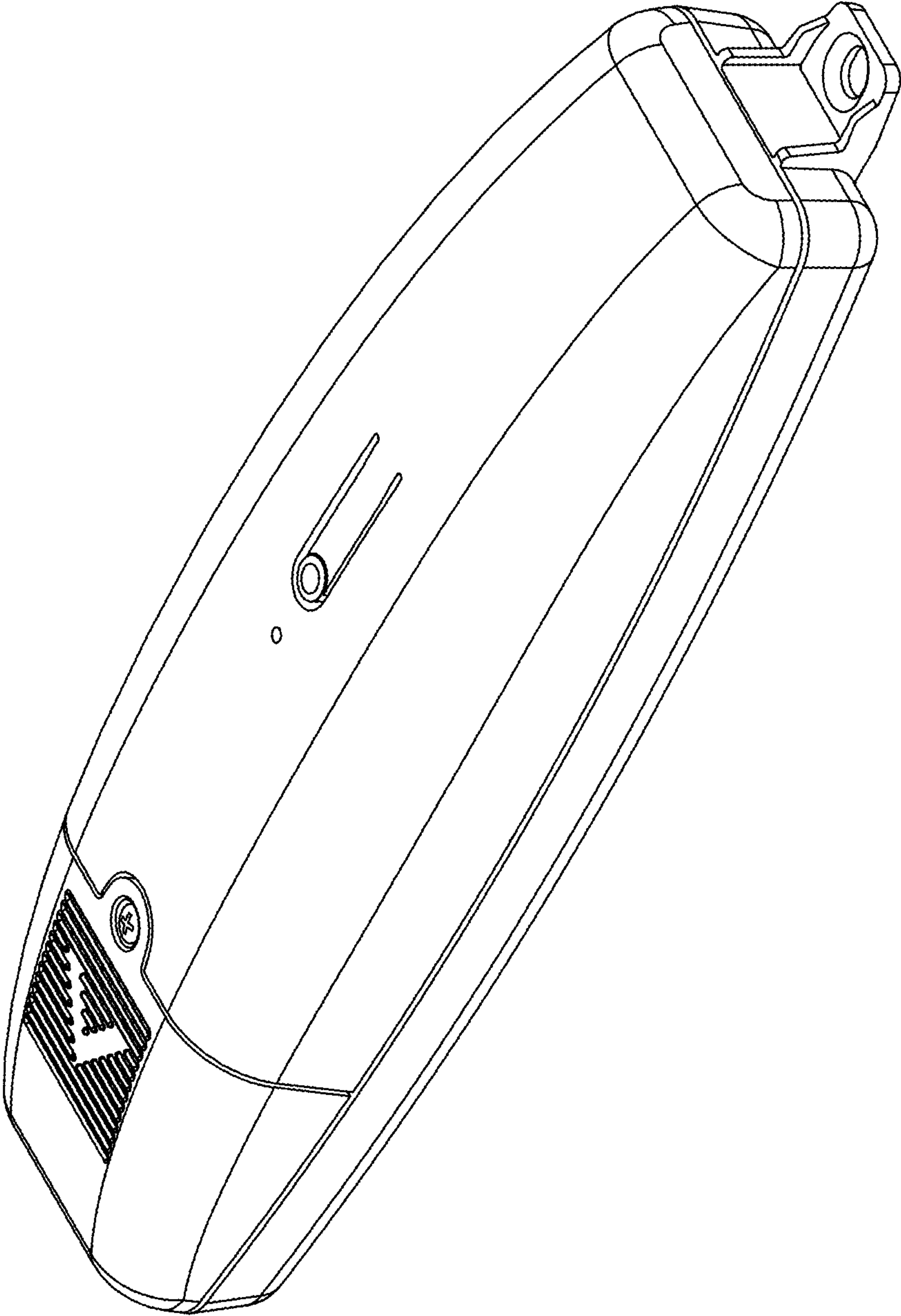


FIG. 1

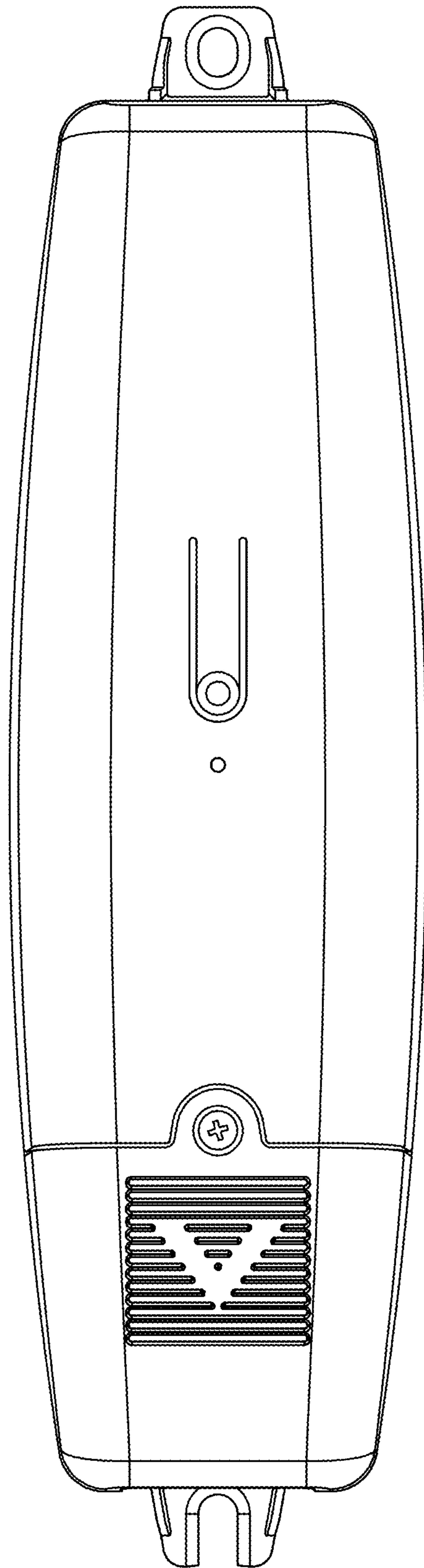


FIG. 2

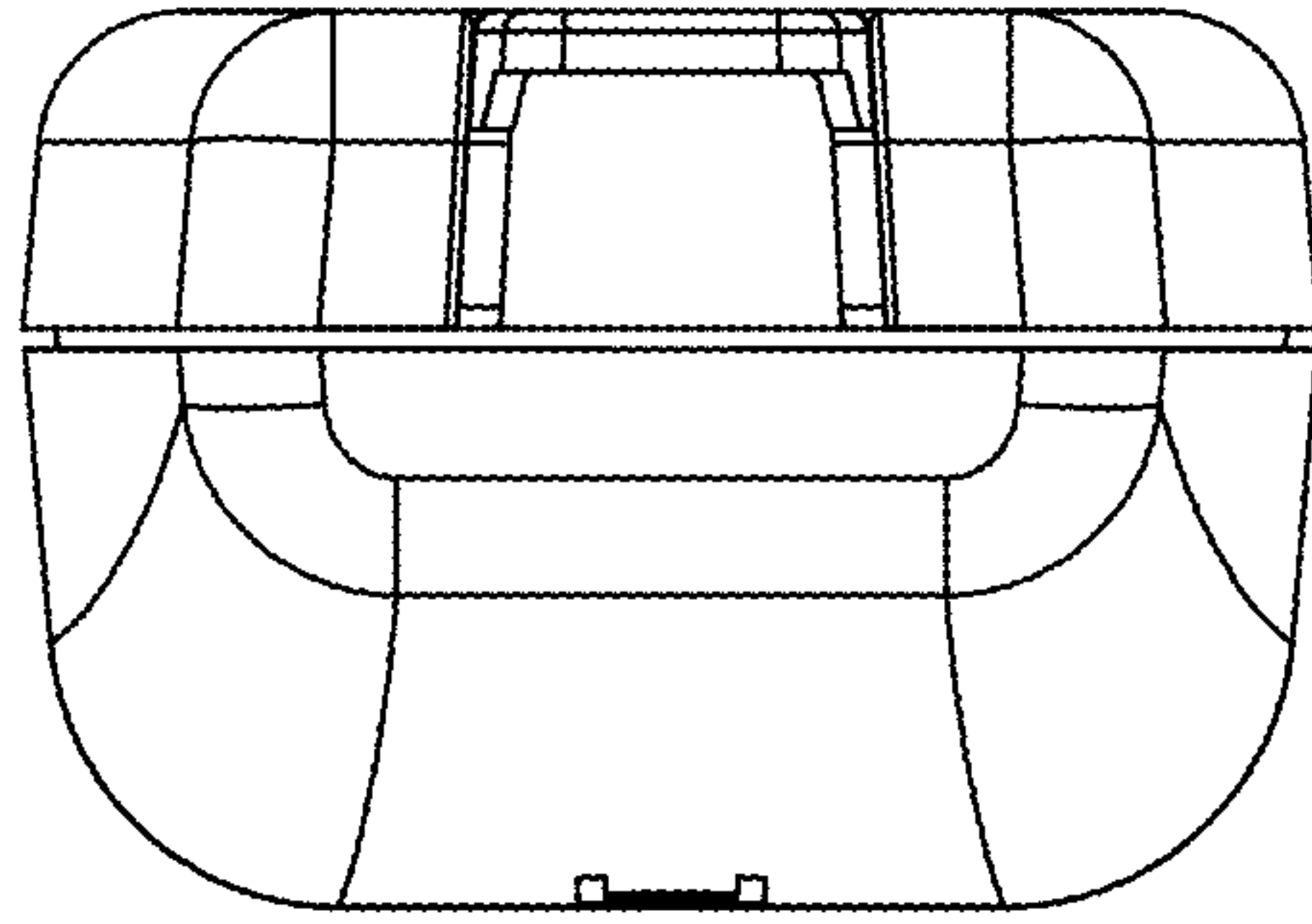


FIG. 4

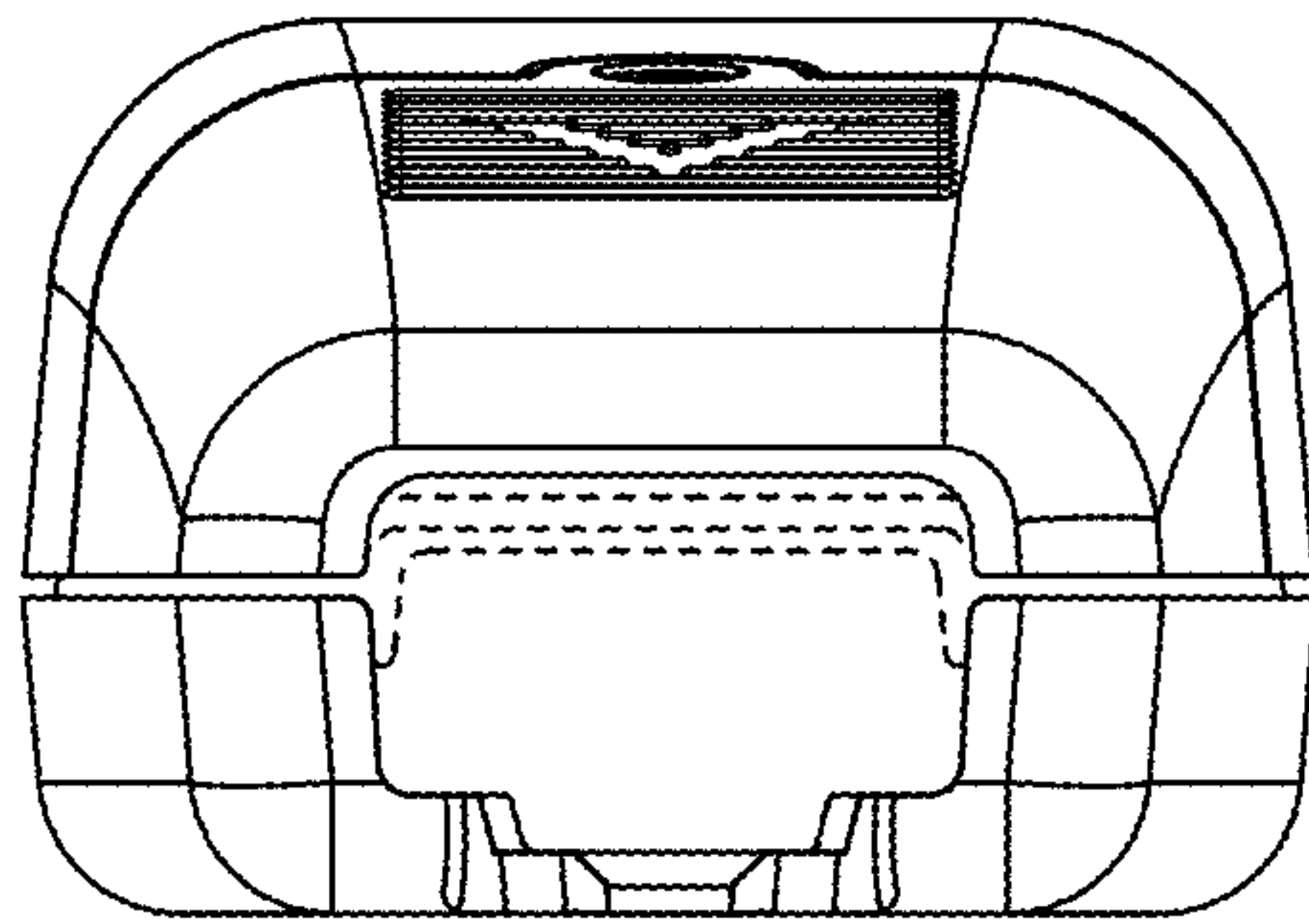


FIG. 3

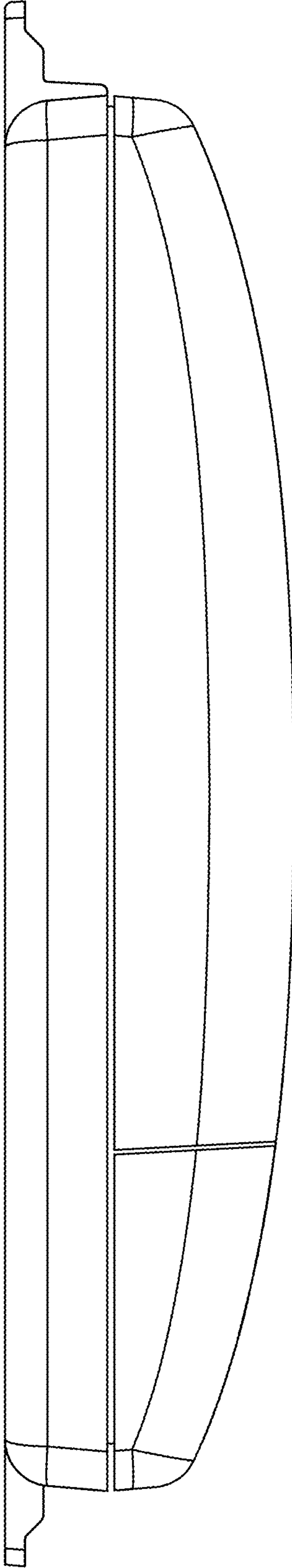


FIG. 5

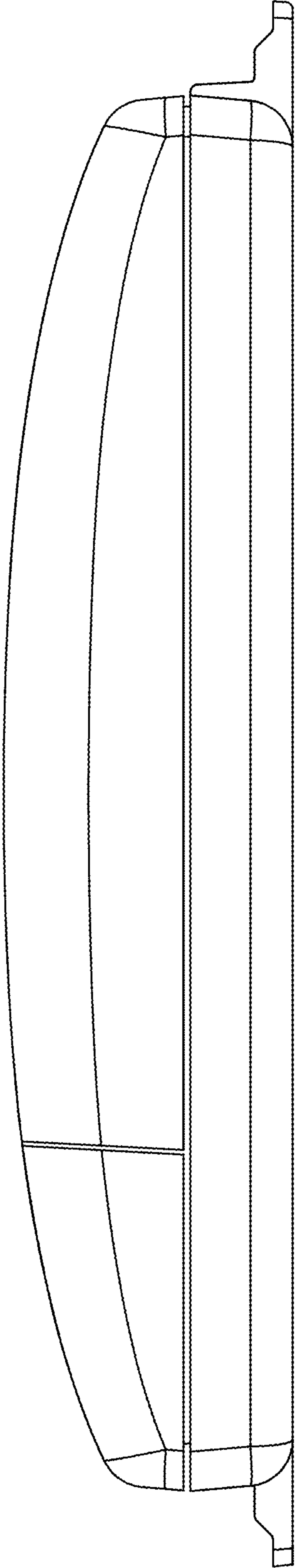


FIG. 6

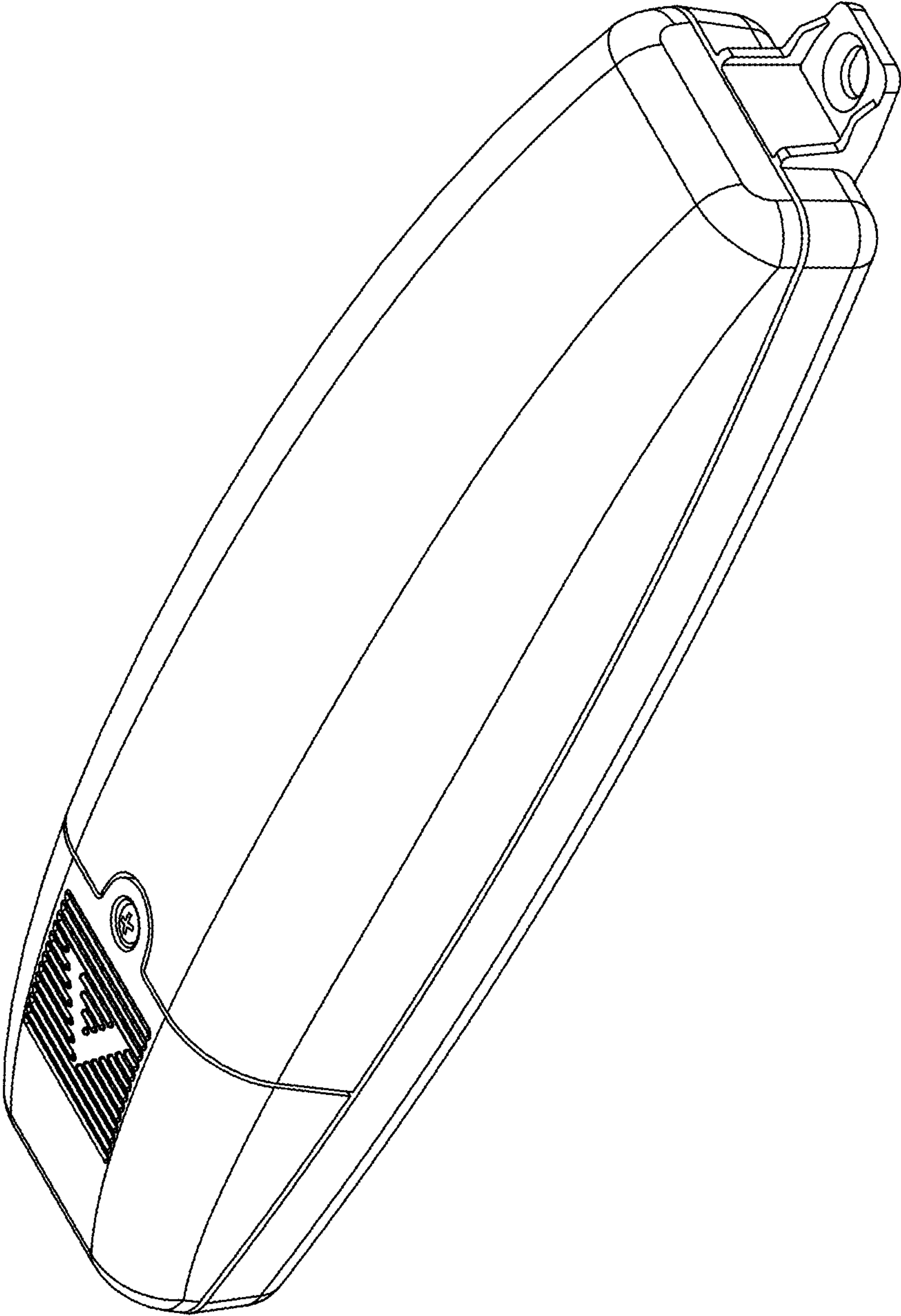


FIG. 7

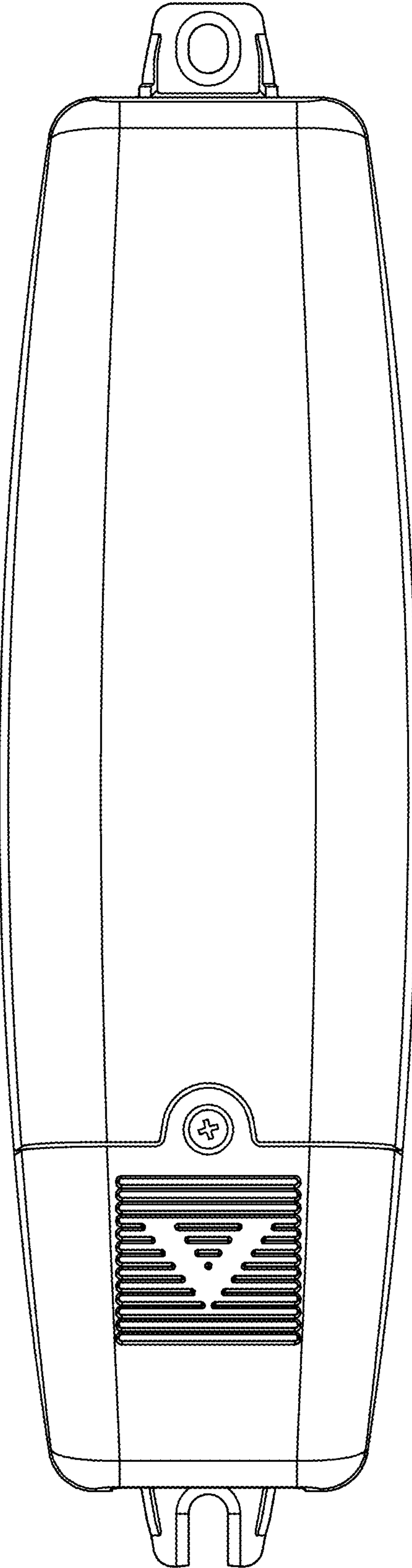


FIG. 8

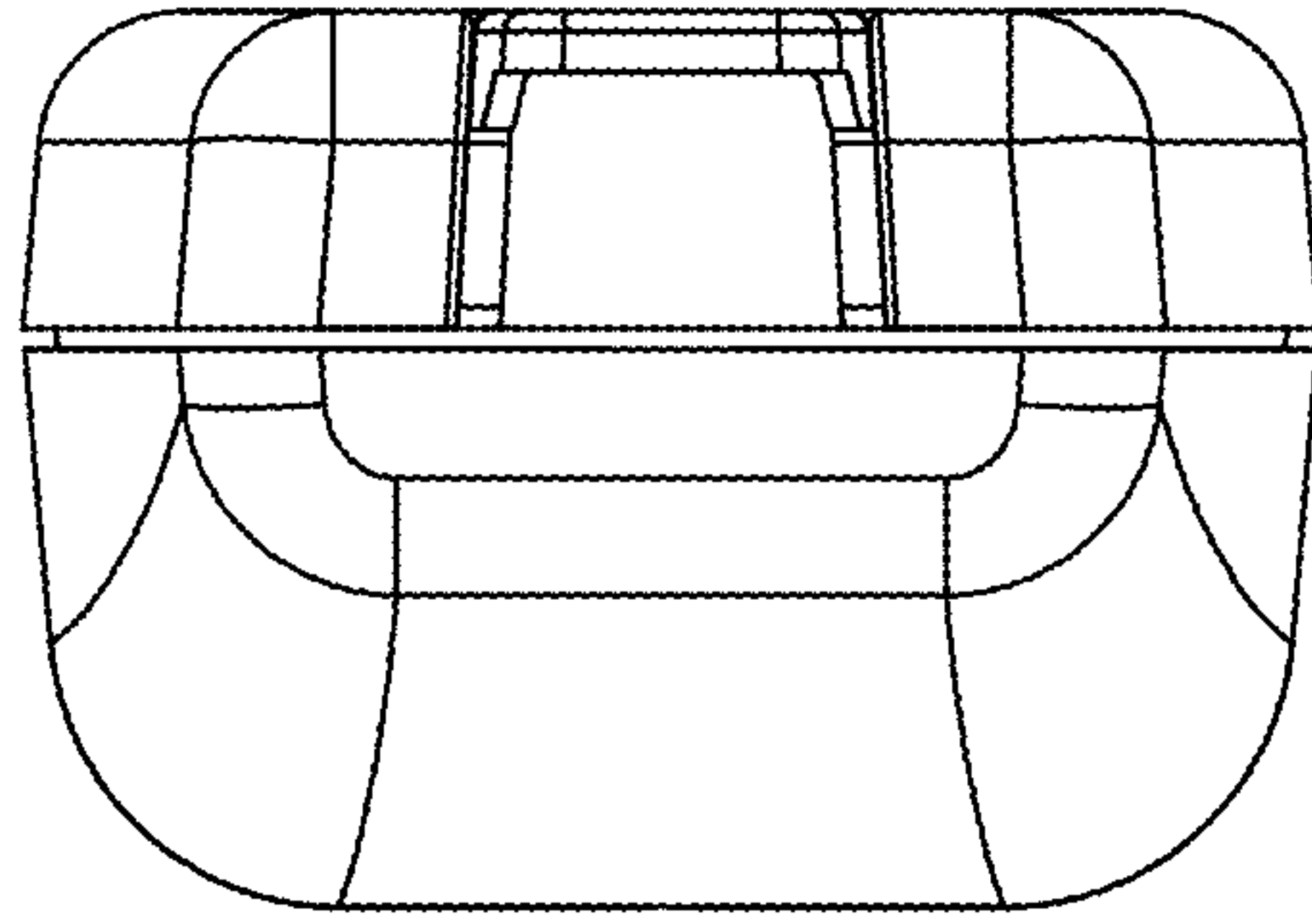


FIG. 10

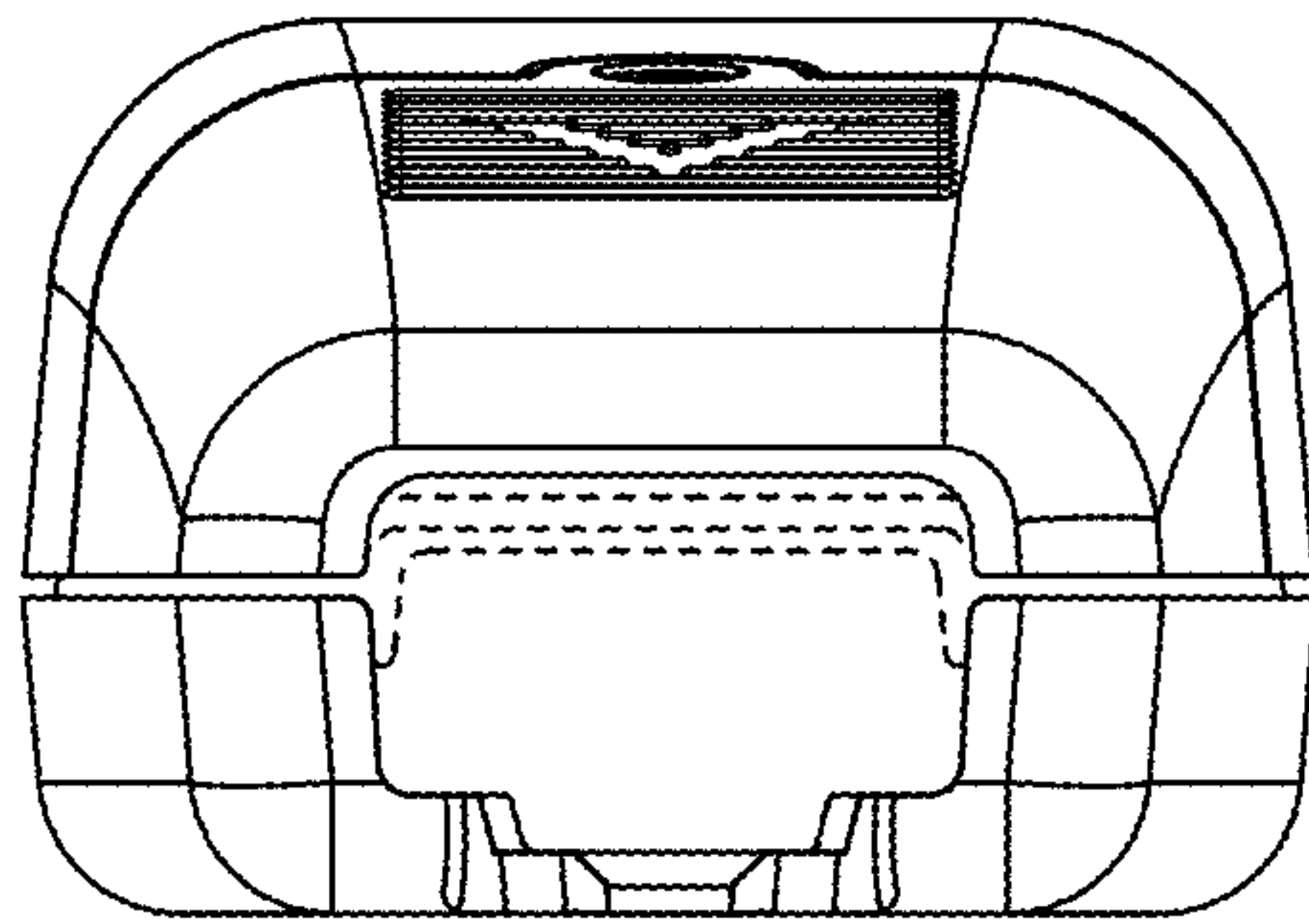


FIG. 9

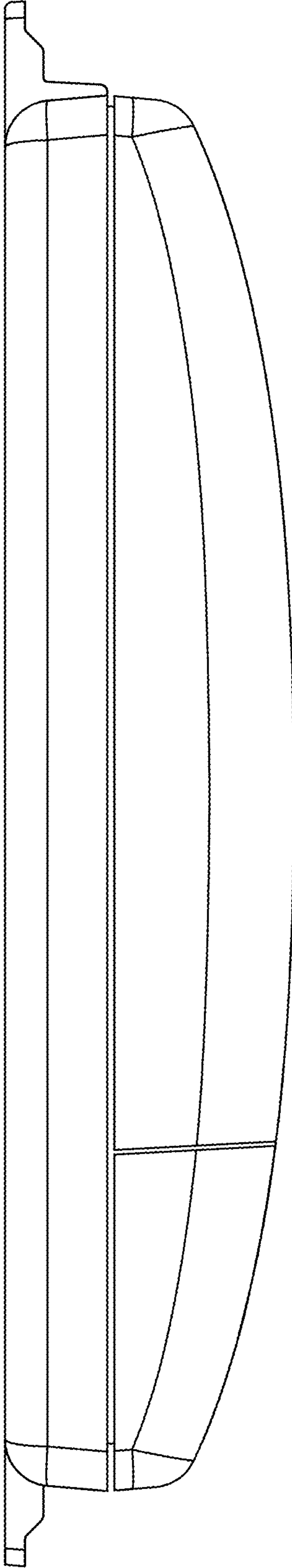


FIG. 11

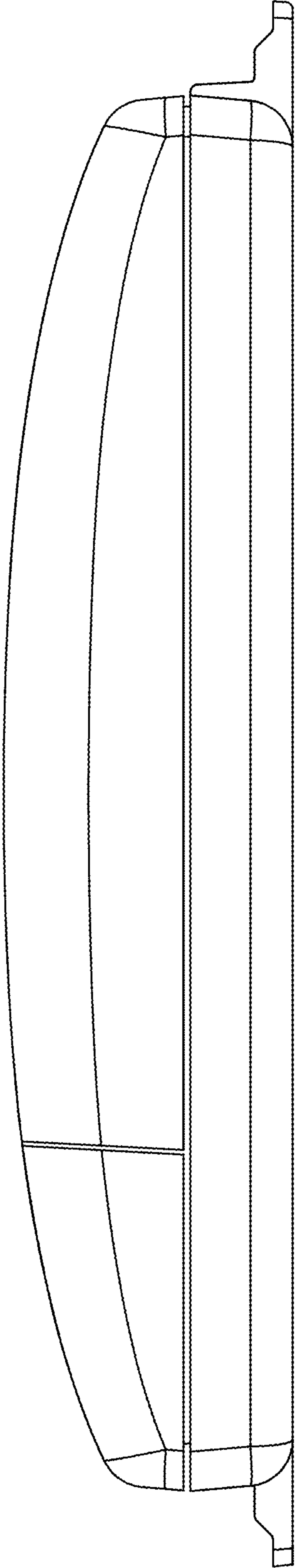


FIG. 12

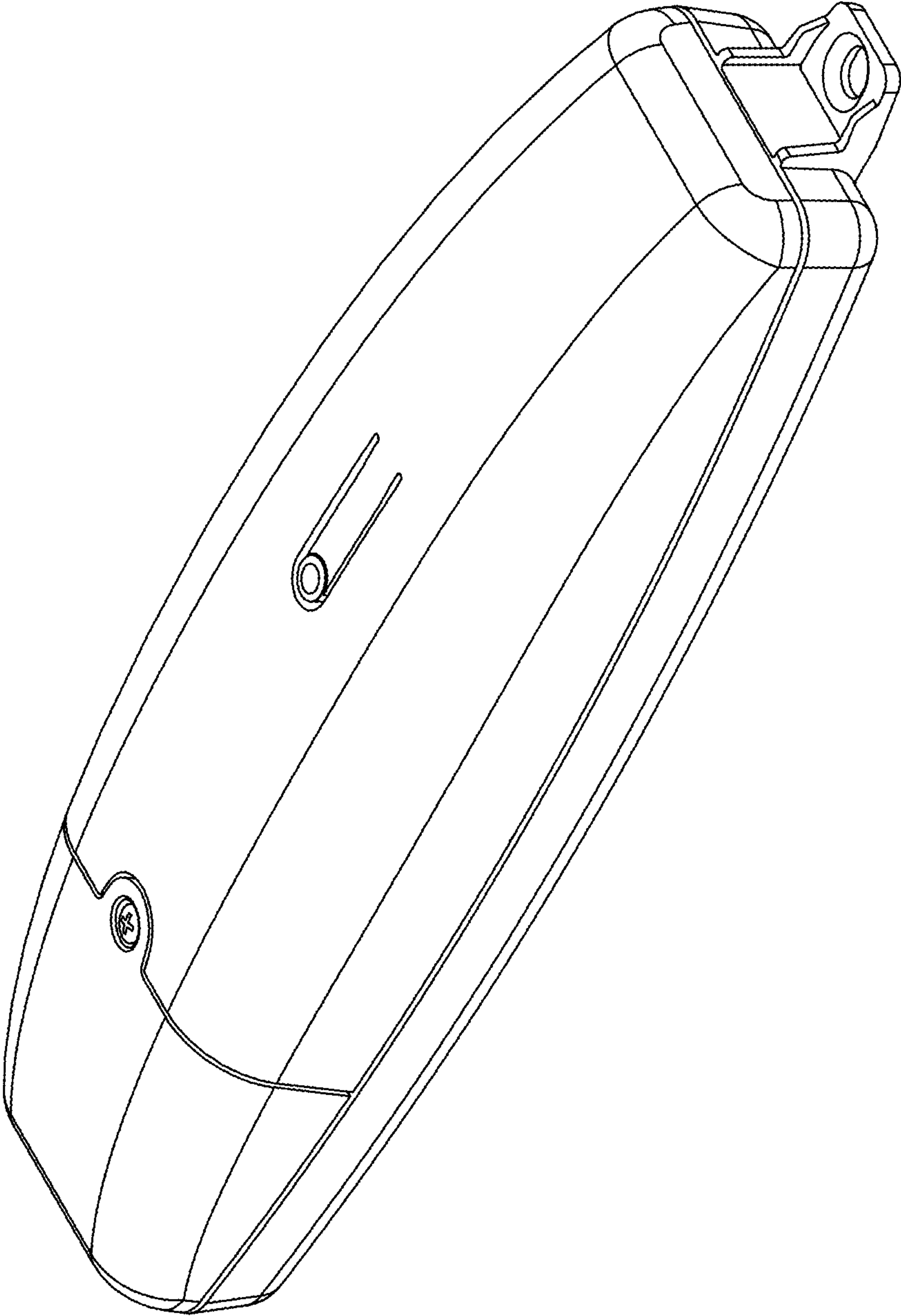


FIG. 13

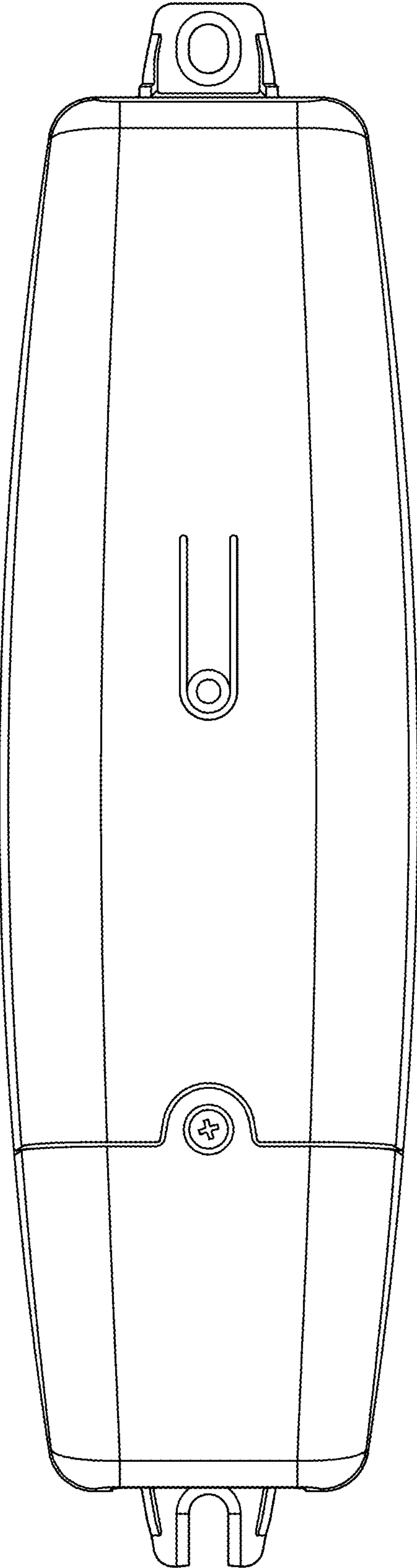


FIG. 14

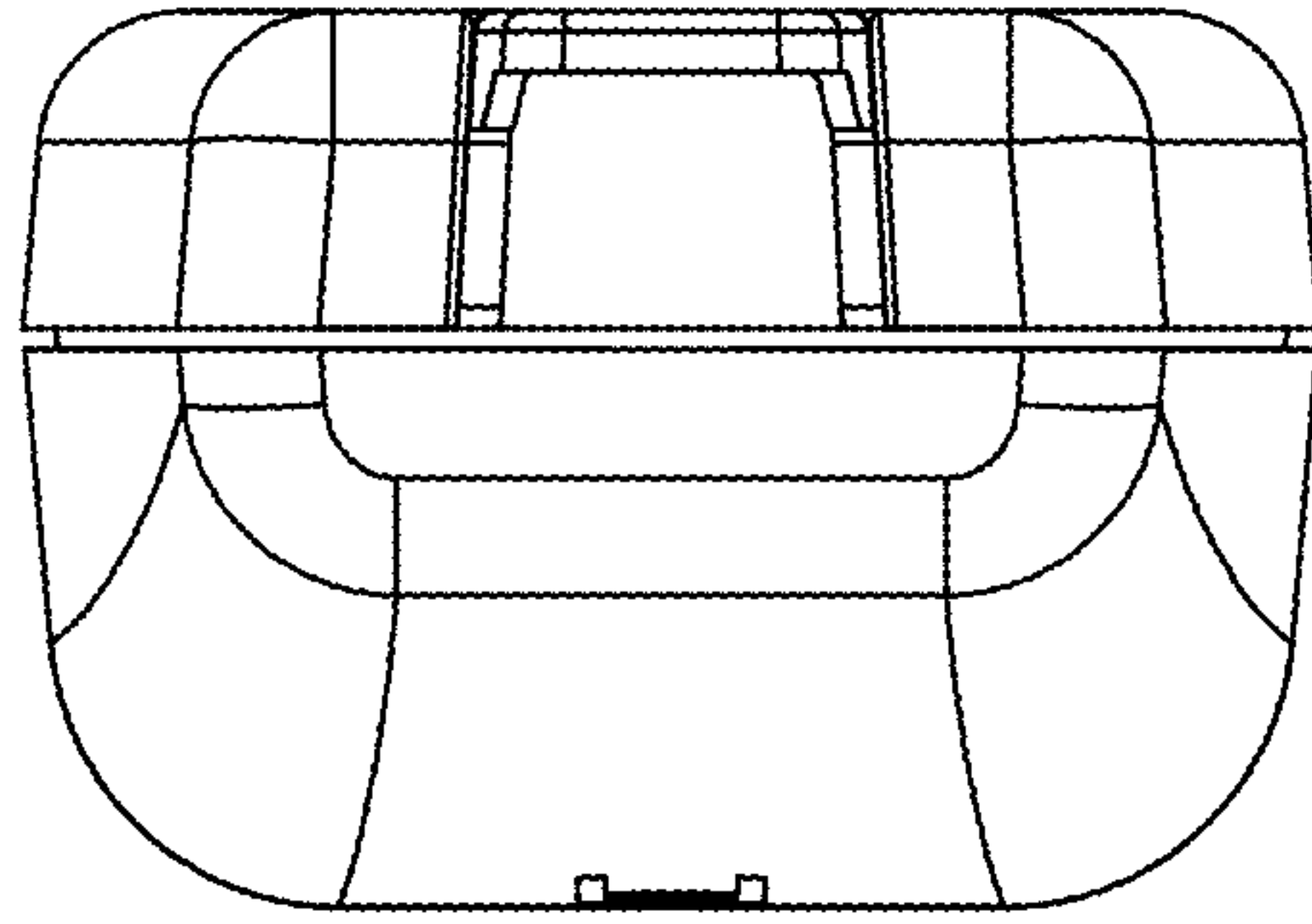


FIG. 16

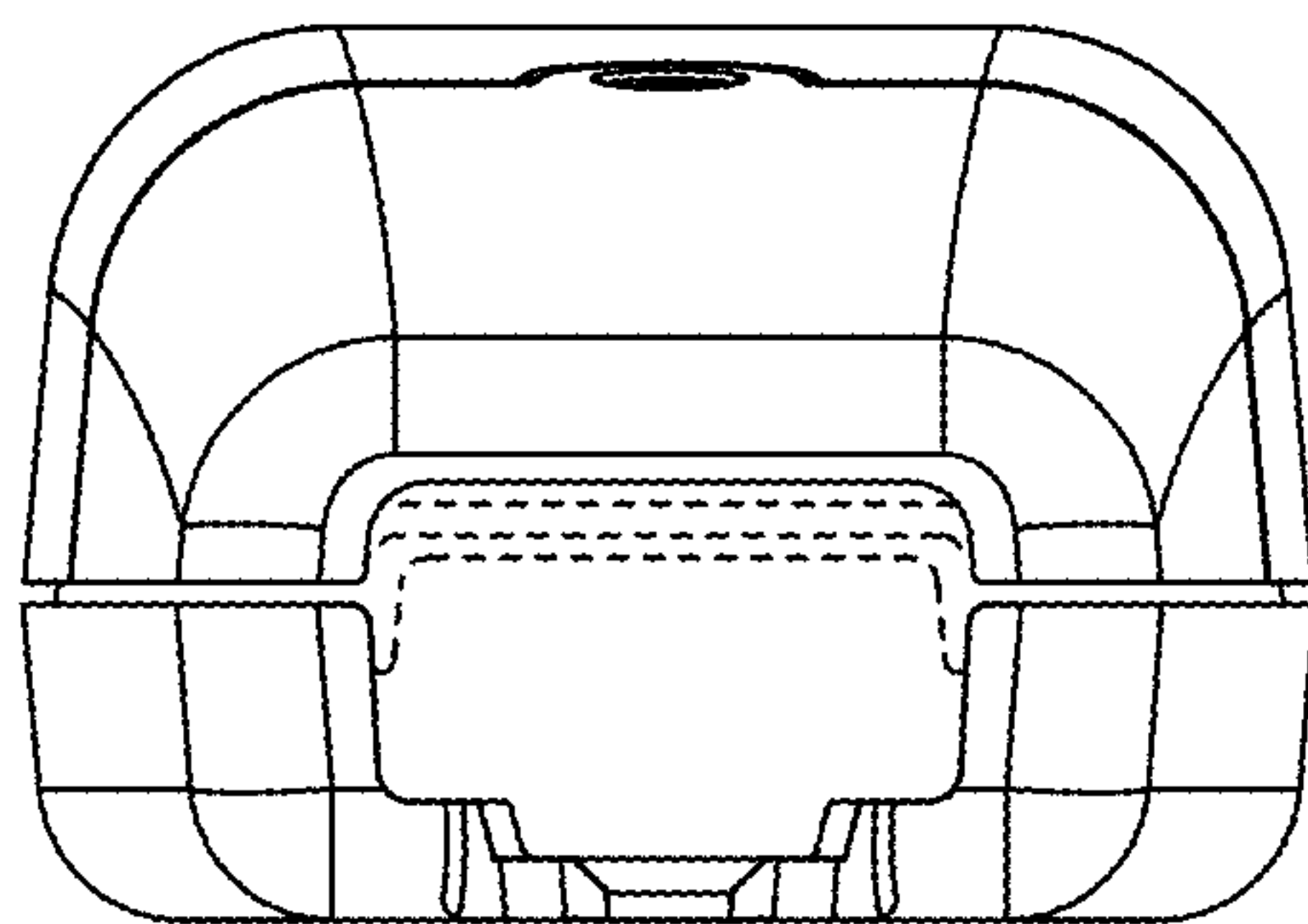


FIG. 15

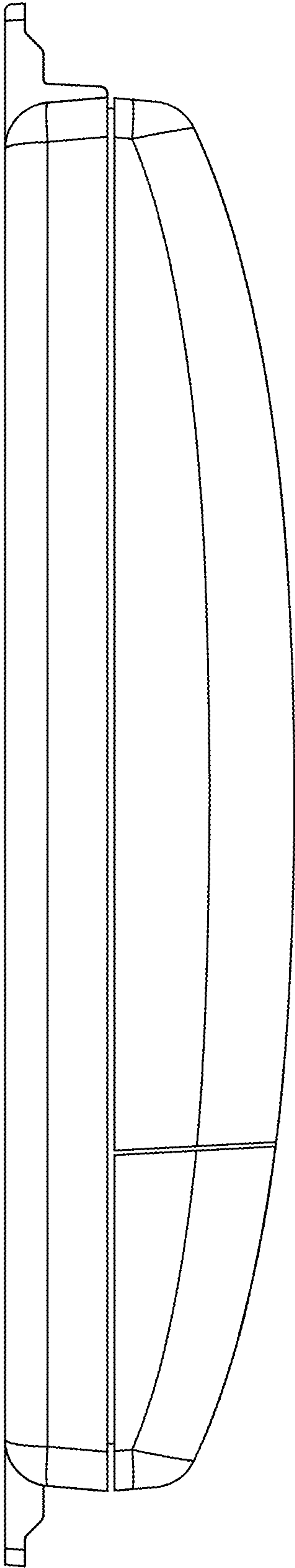


FIG. 17

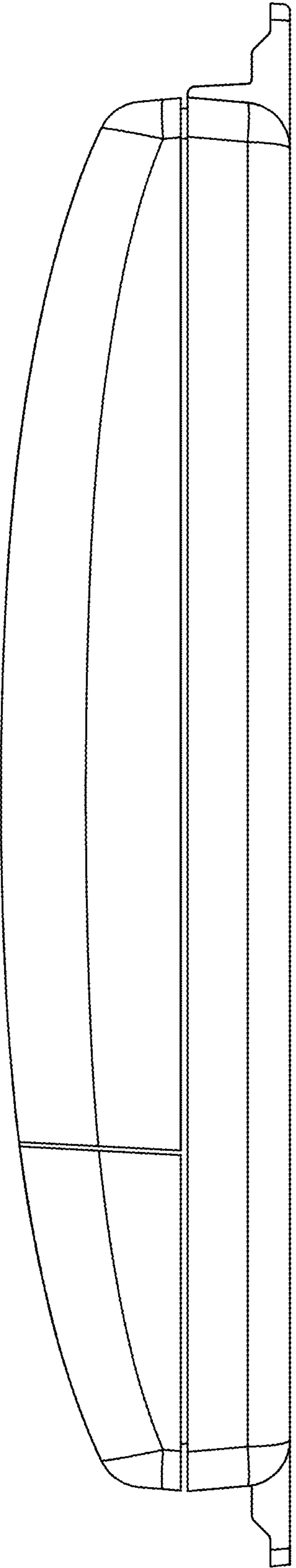


FIG. 18

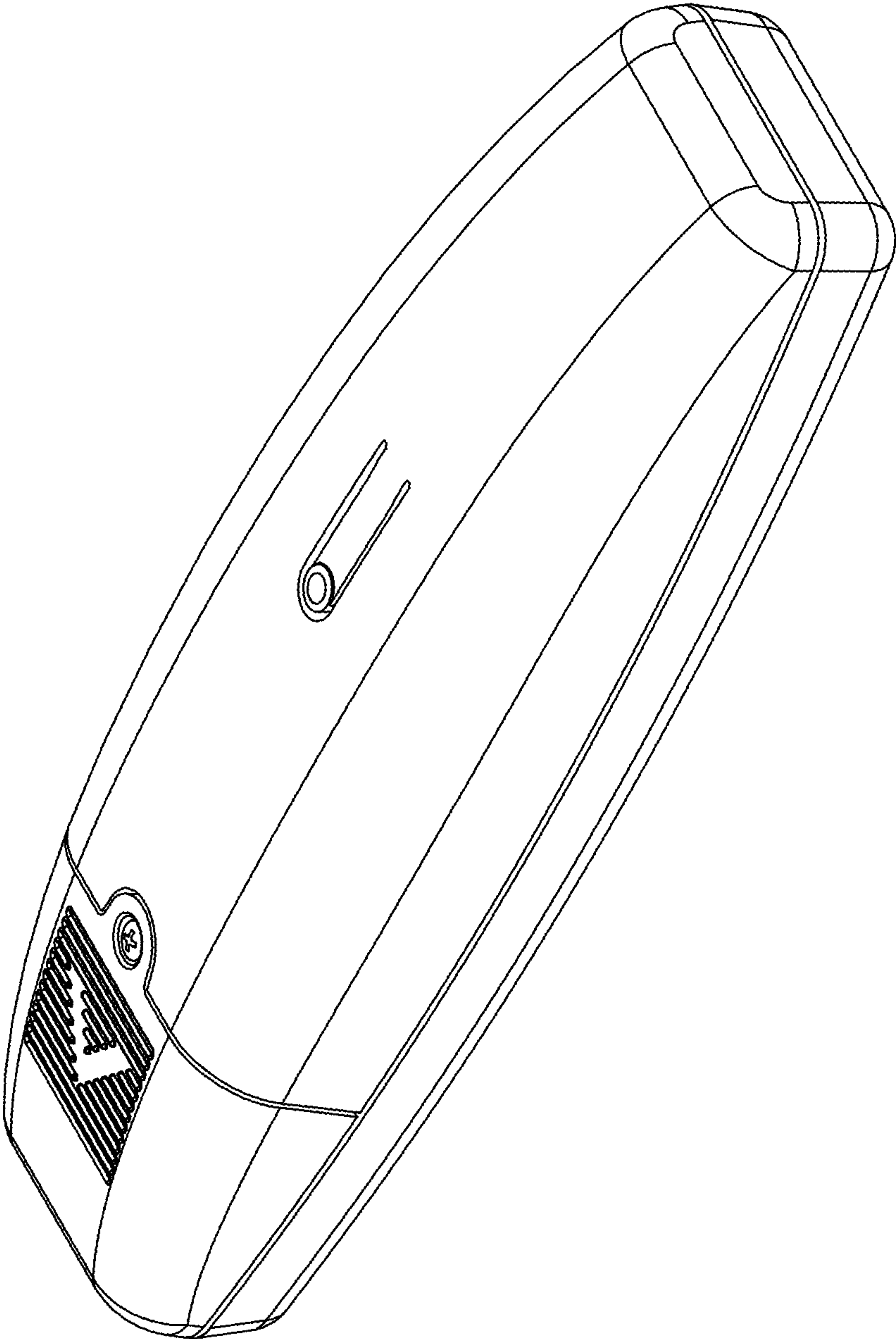


FIG. 19

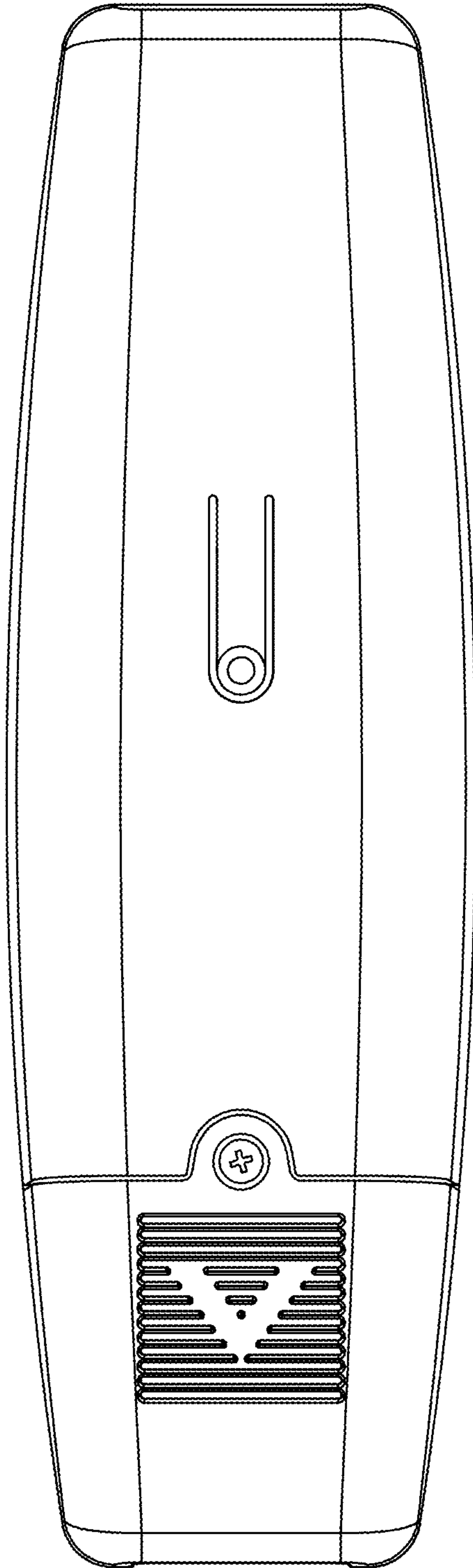


FIG. 20

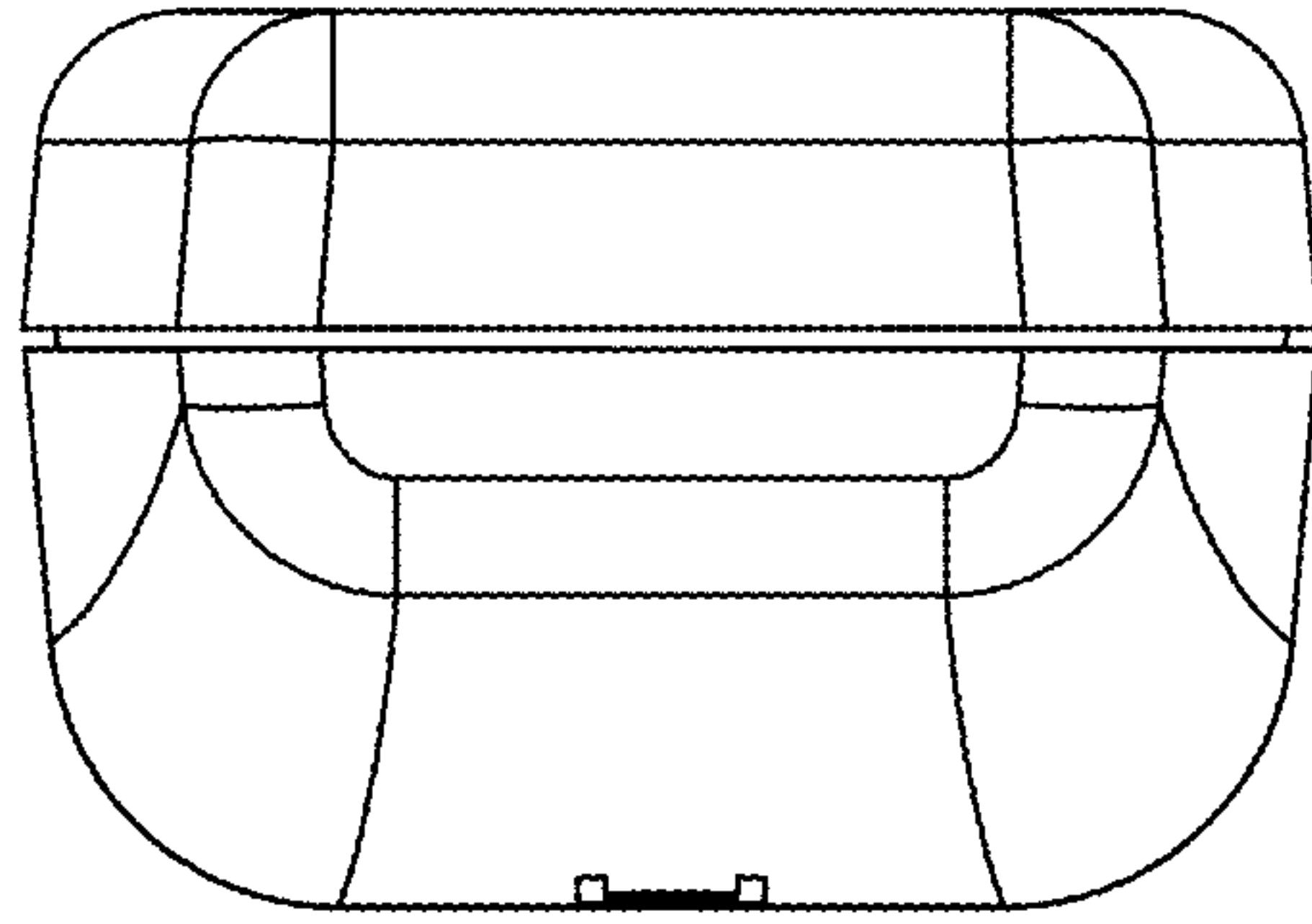


FIG. 22

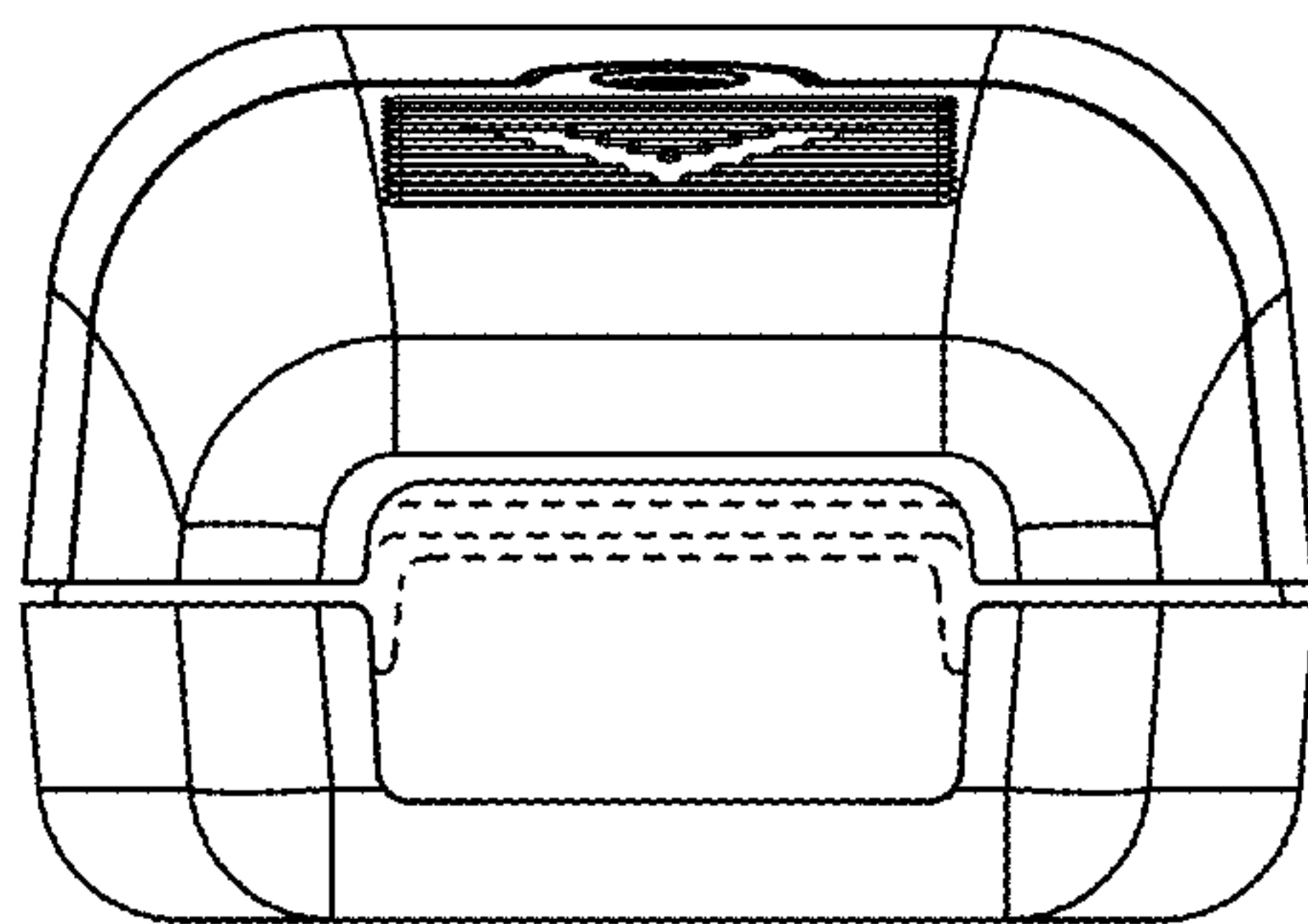


FIG. 21

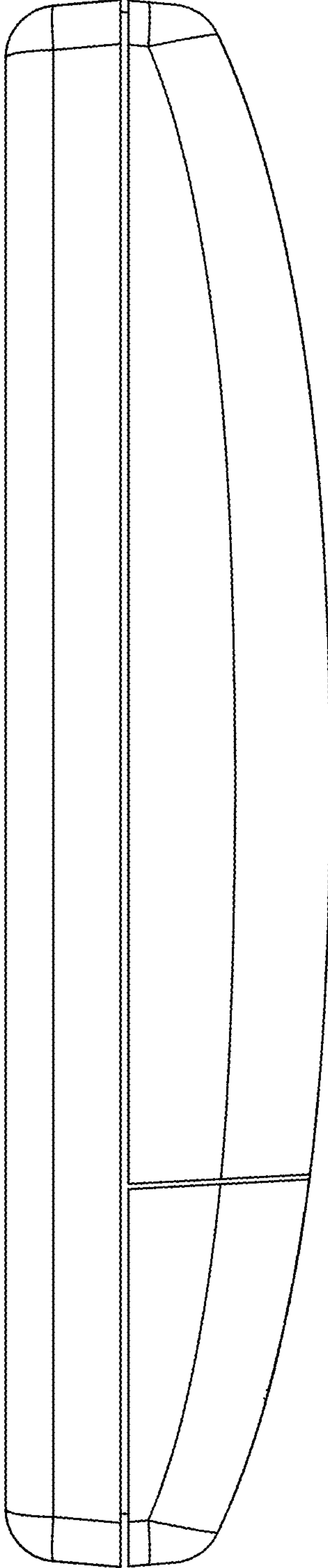


FIG. 23

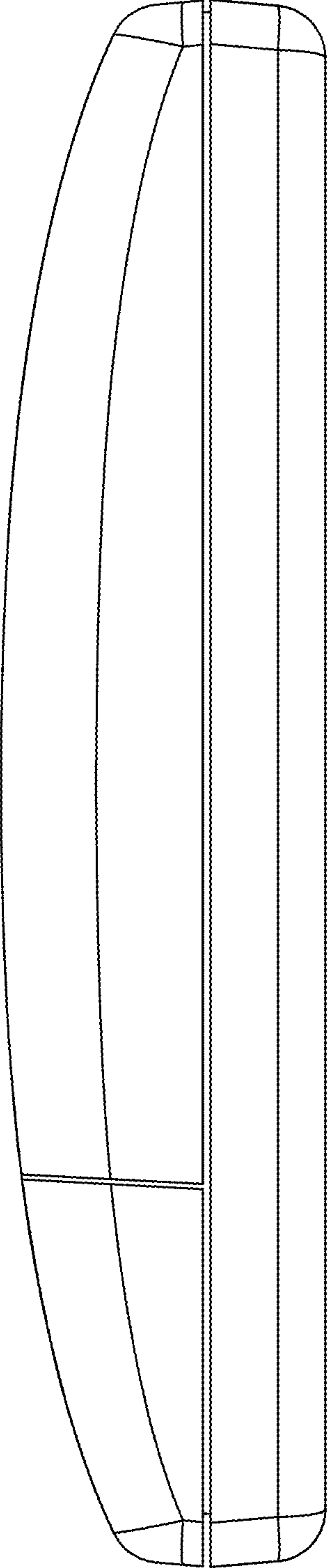


FIG. 24

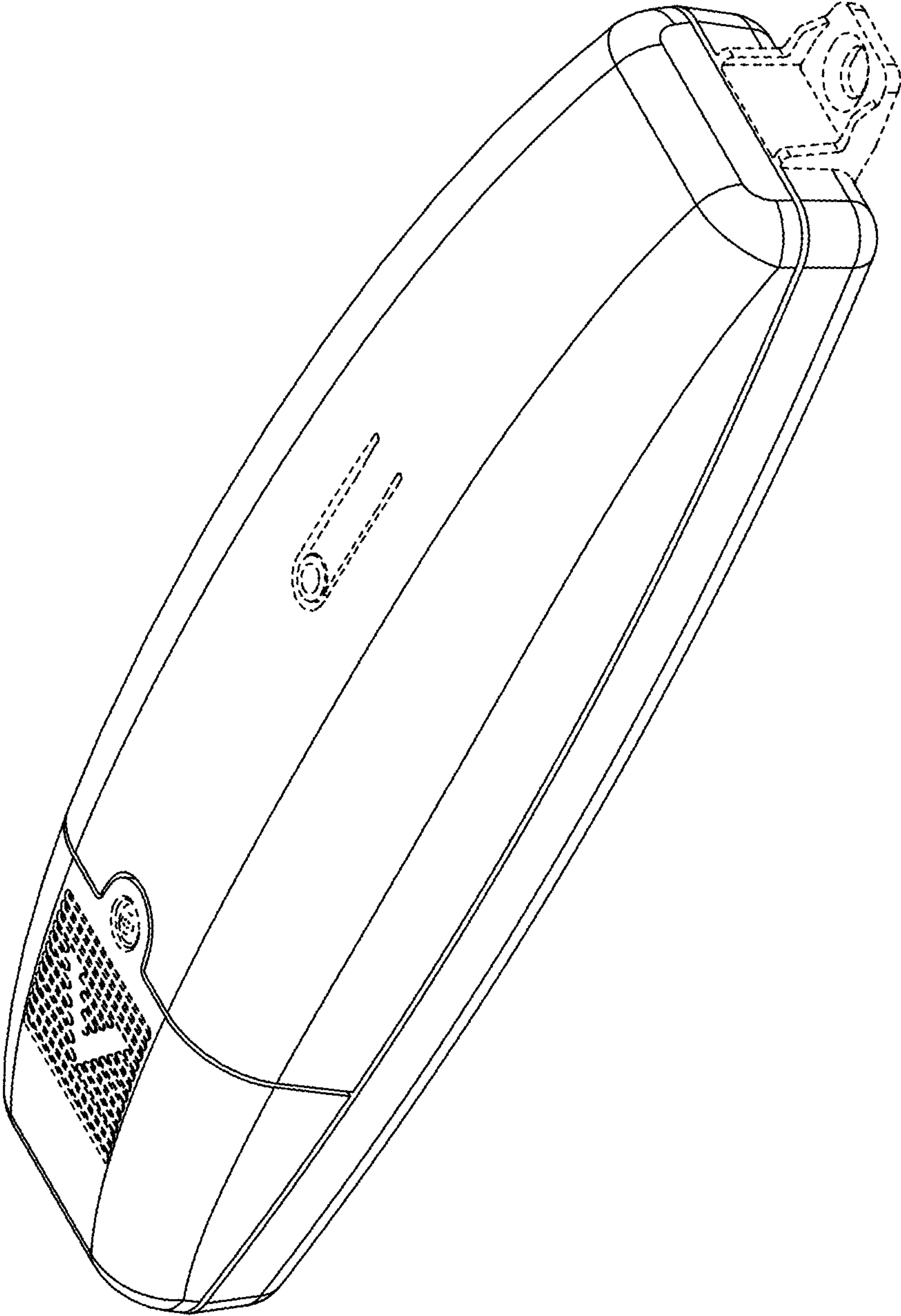


FIG. 25

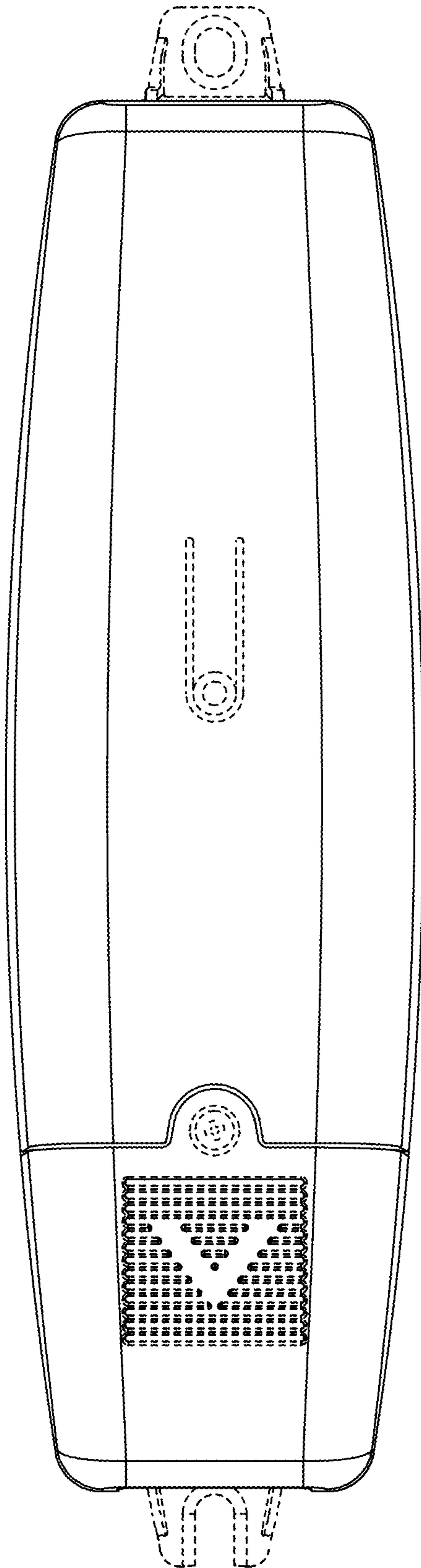


FIG. 26

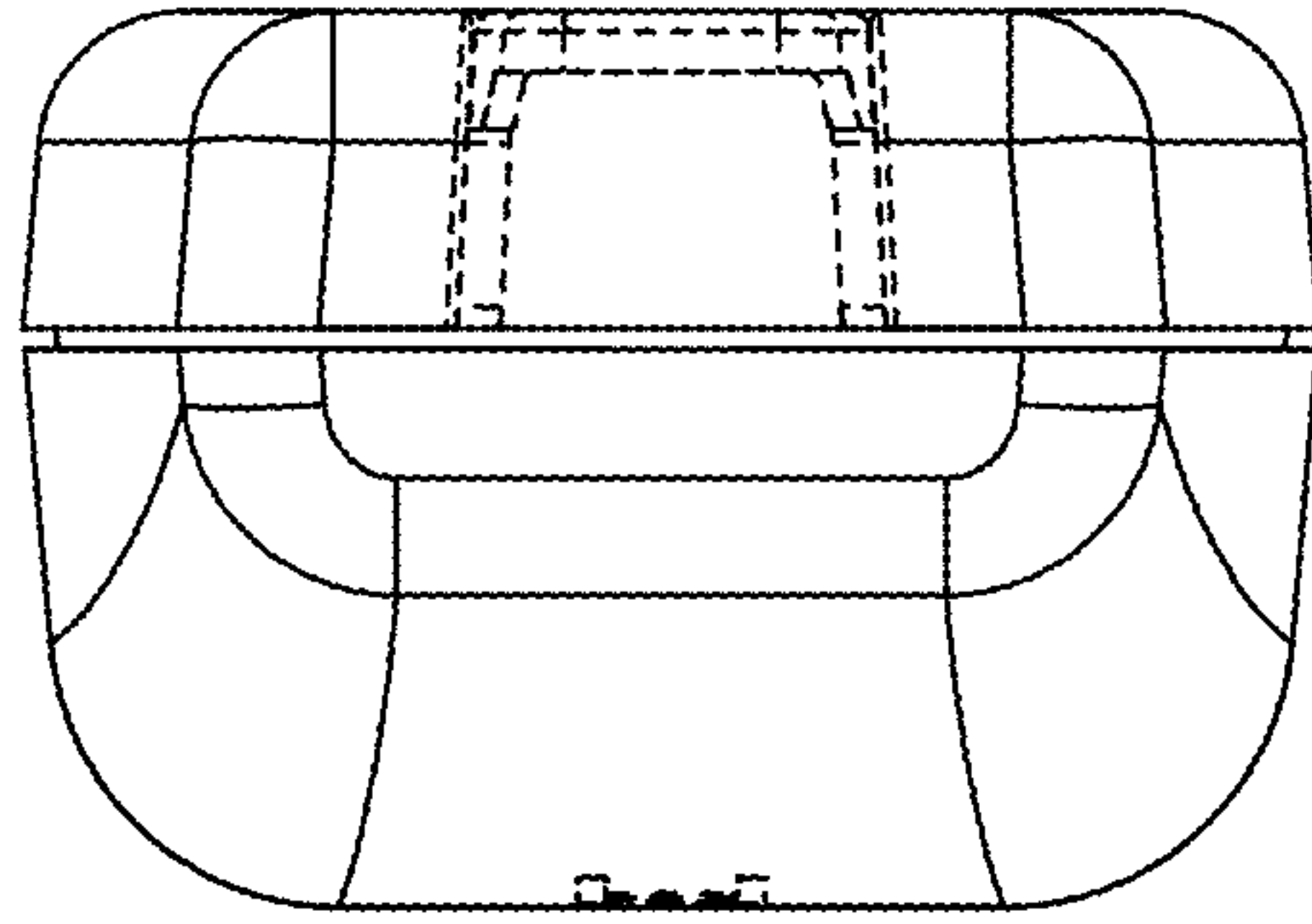


FIG. 28

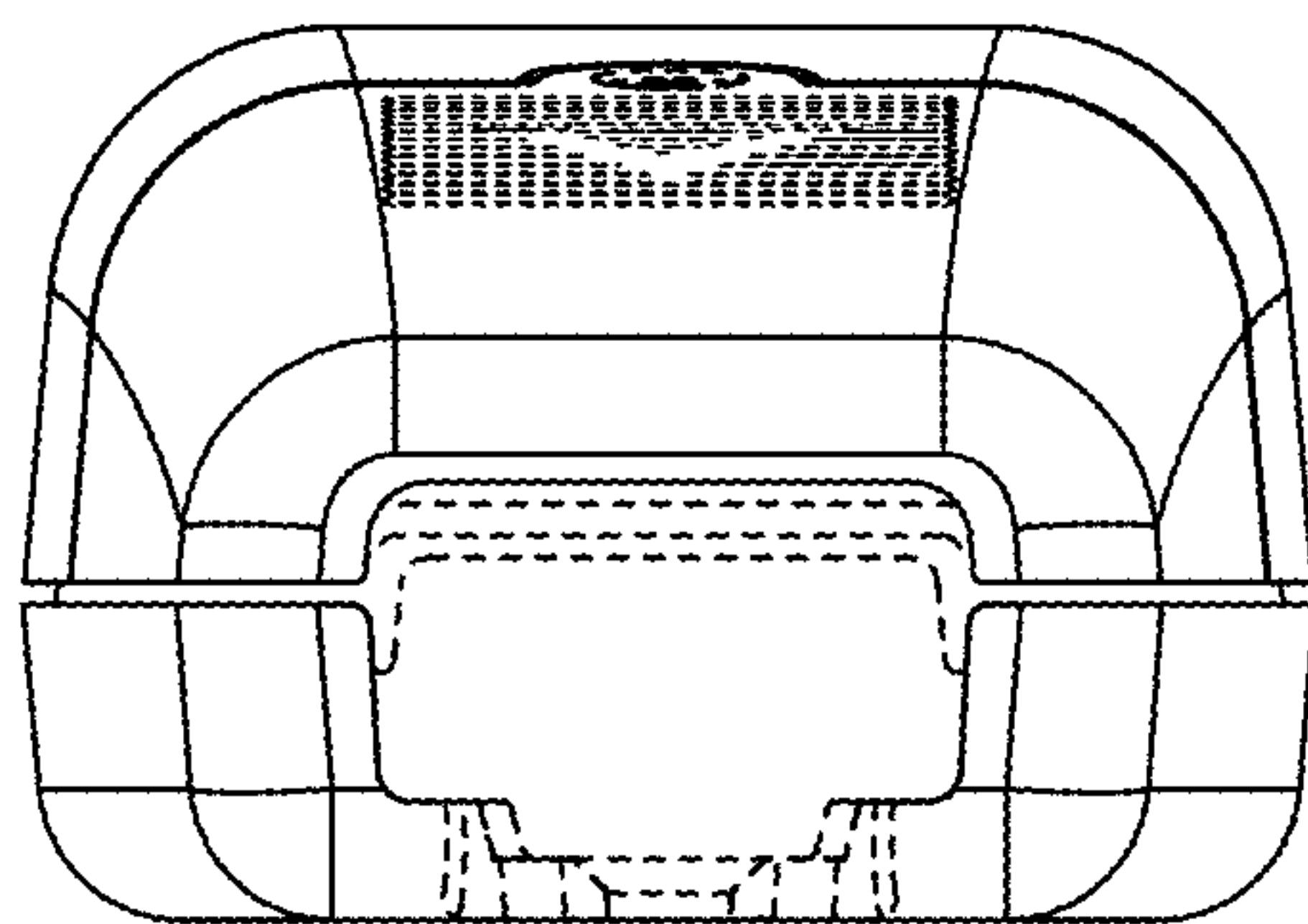


FIG. 27

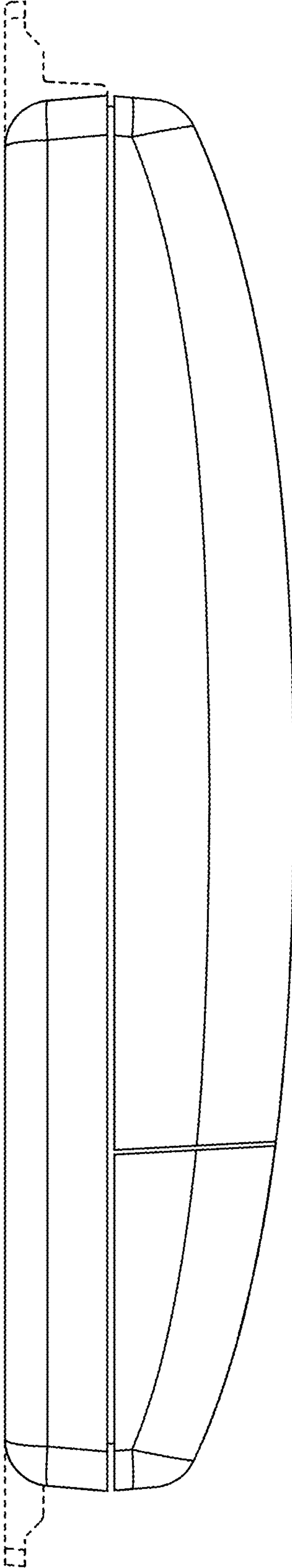


FIG. 29

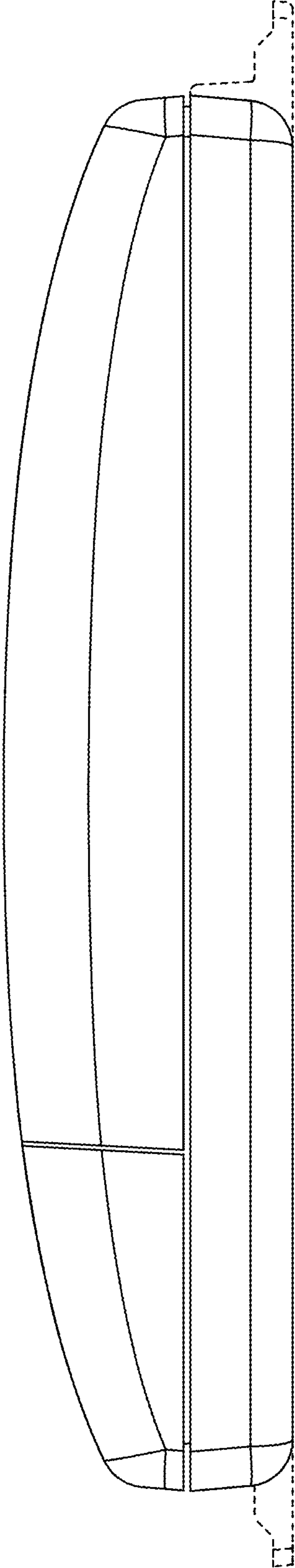


FIG. 30

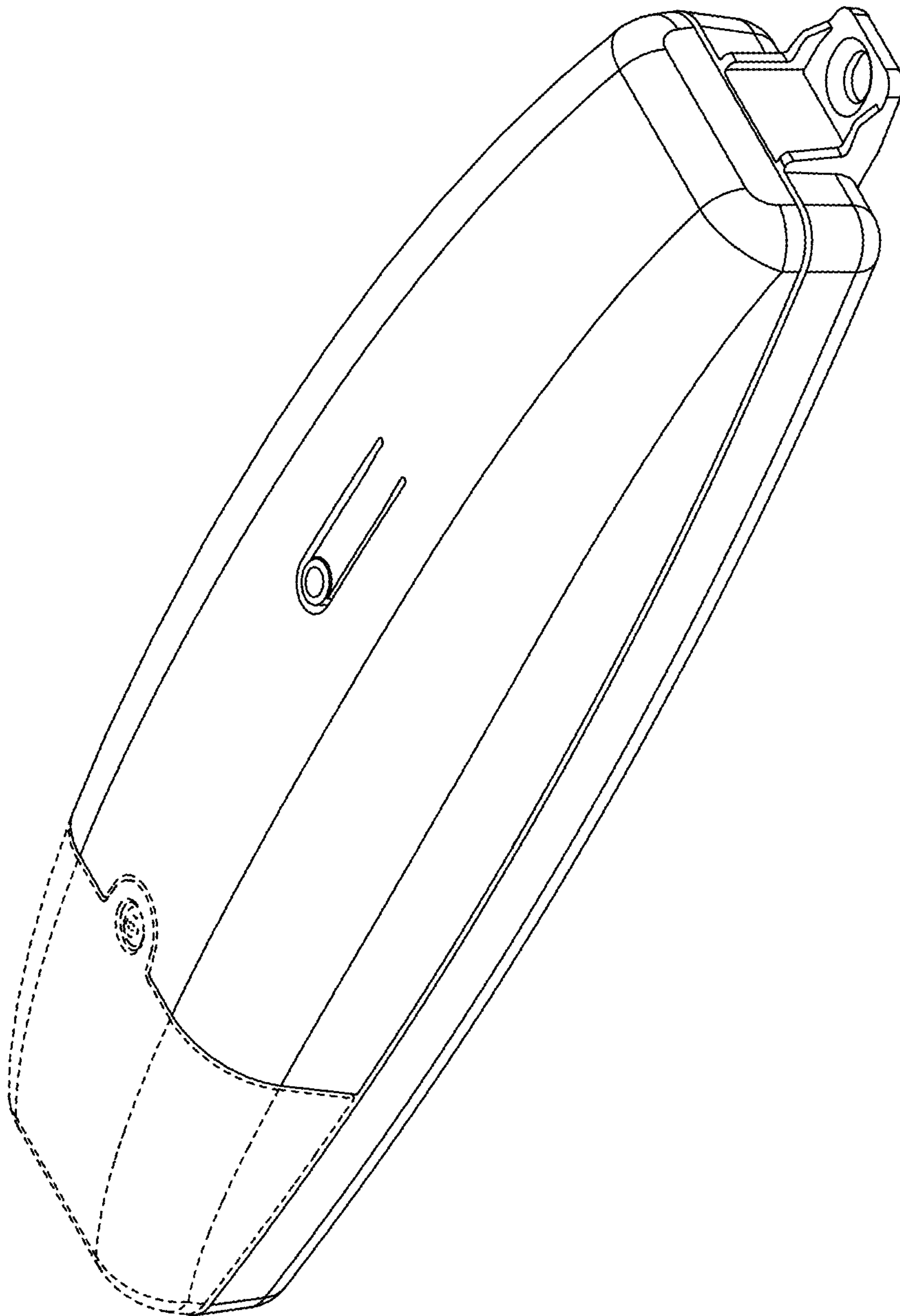


FIG. 31

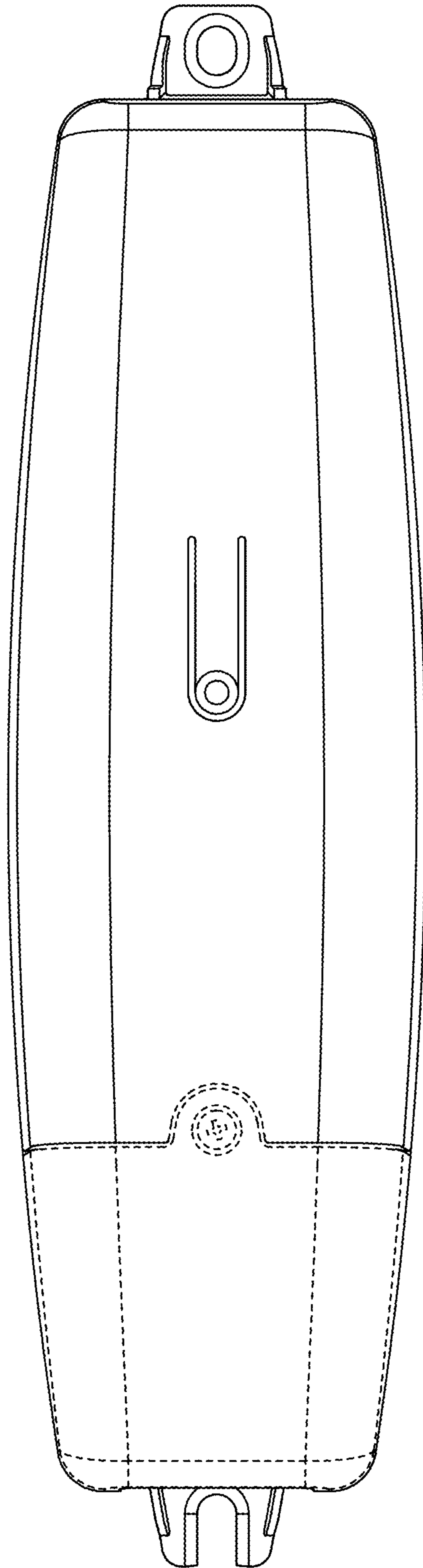


FIG. 32

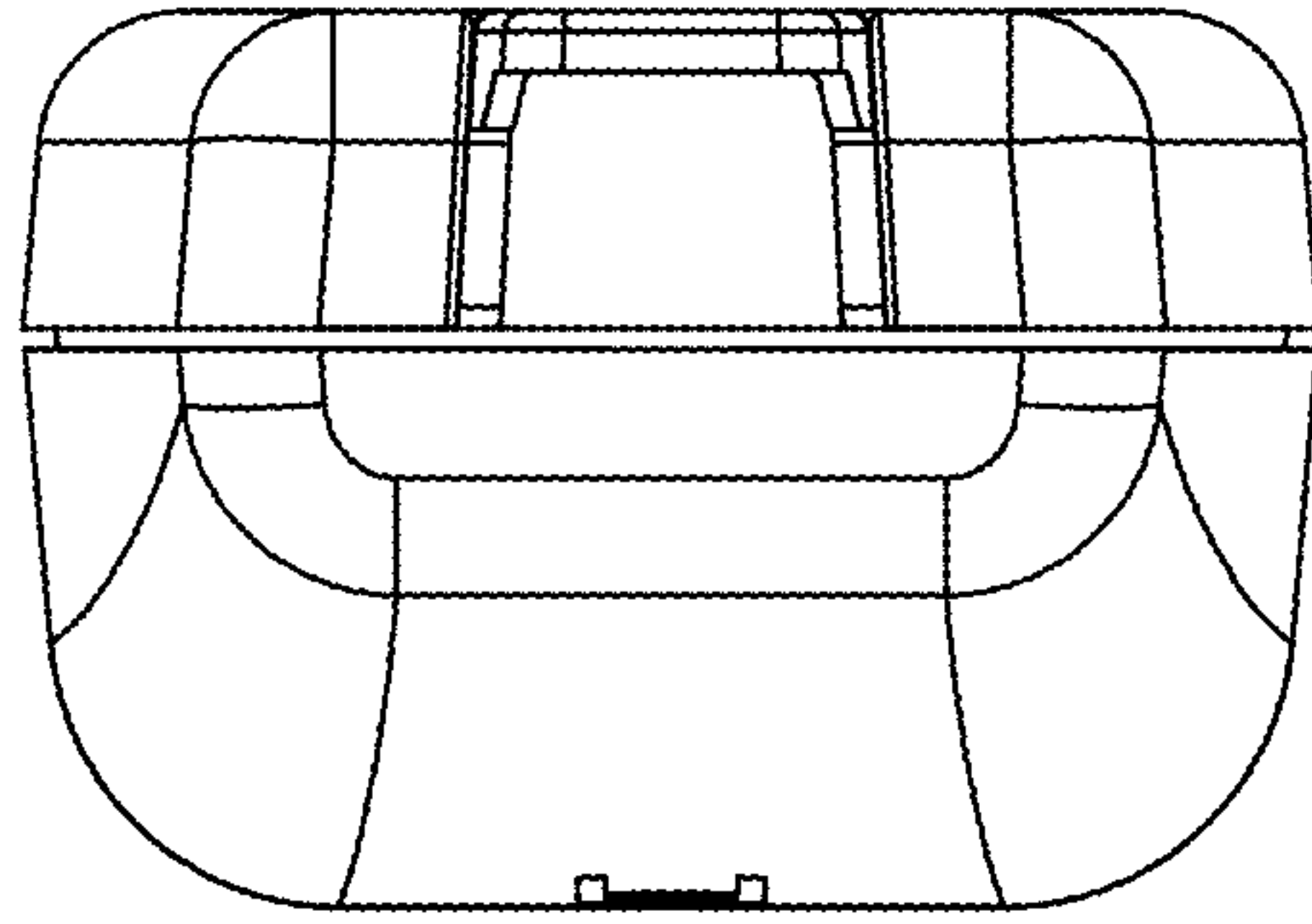


FIG. 34

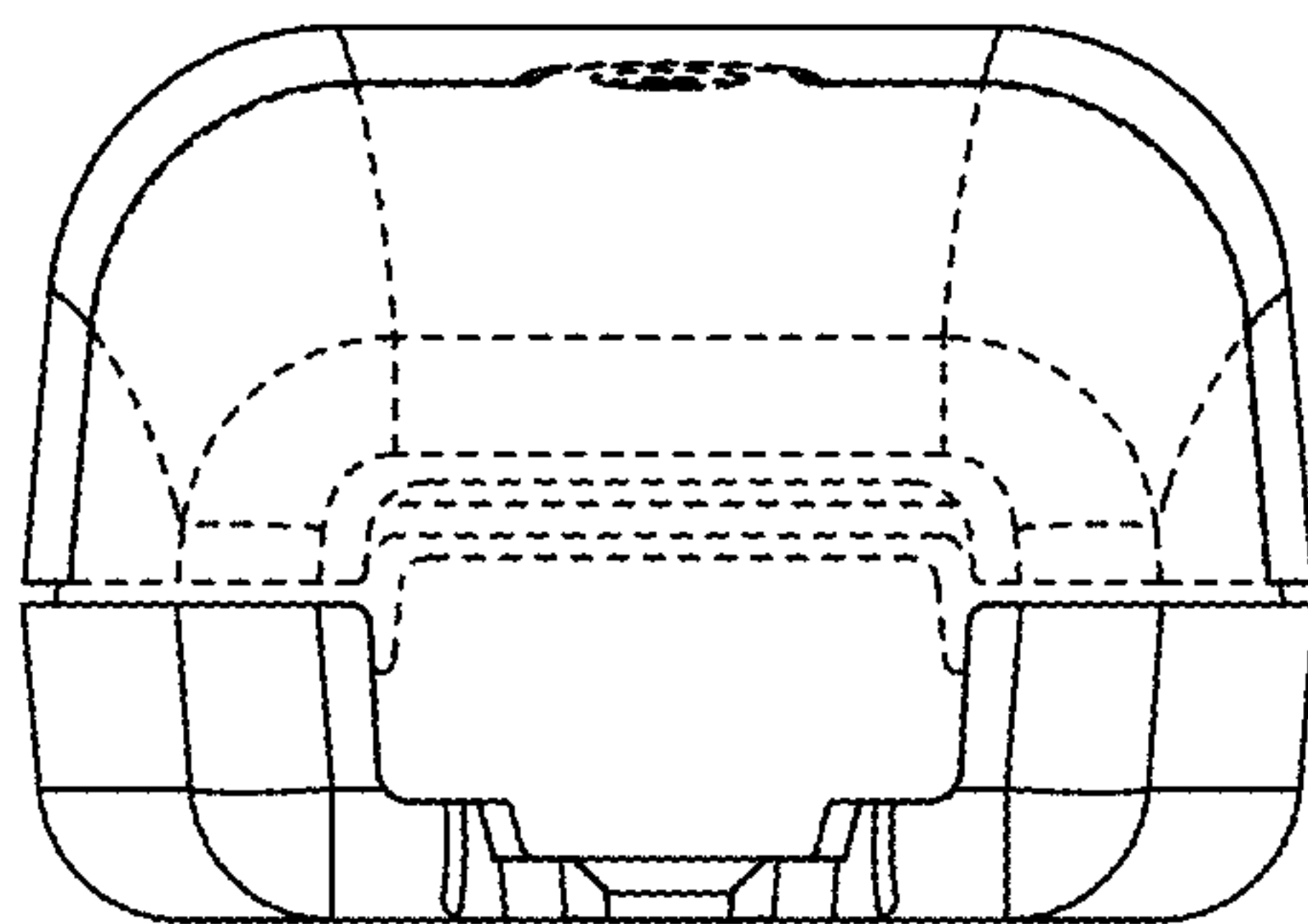


FIG. 33

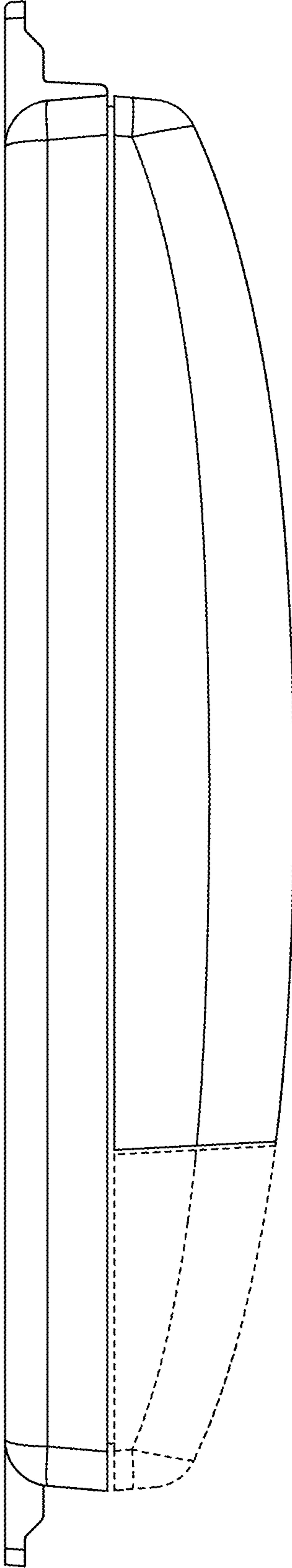


FIG. 35

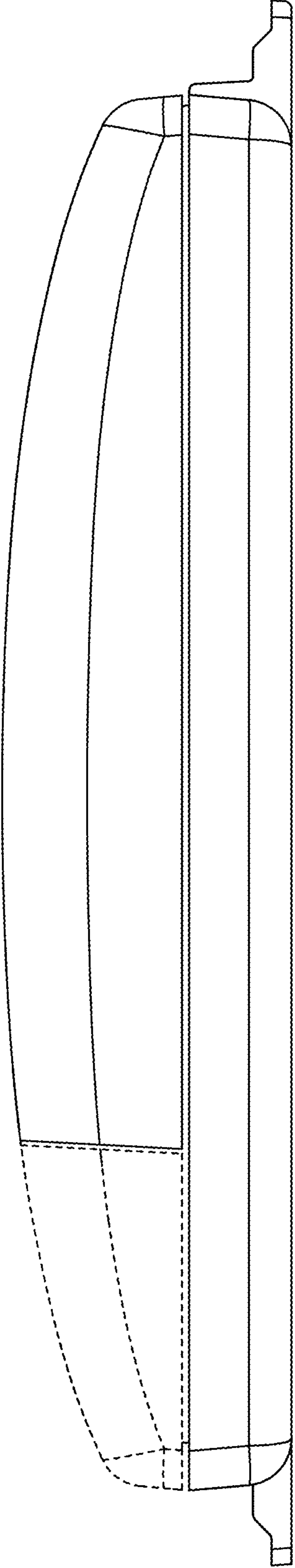


FIG. 36