



US00D873221S

(12) **United States Design Patent** (10) **Patent No.:** **US D873,221 S**
Thakare et al. (45) **Date of Patent:** **** Jan. 21, 2020**

(54) **CONNECTOR SLEEVE**

(71) Applicant: **Amphenol Corporation**, Wallingford, CT (US)

(72) Inventors: **Rakesh Thakare**, Cary, NC (US);
Weixing Chen, Changzhou (CN);
Caichun Song, Changzhou (CN)

(73) Assignee: **Amphenol Corporation**, Wallingford, CT (US)

(**) Term: **15 Years**

(21) Appl. No.: **29/643,798**

(22) Filed: **Apr. 11, 2018**

(51) **LOC (12) Cl.** **13-03**

(52) **U.S. Cl.**
USPC **D13/154**

(58) **Field of Classification Search**
USPC D13/133, 148, 149, 150, 154, 156;
D8/349, 354, 382, 383, 394, 396, 397,
D8/398
CPC .. H01R 13/6583; H01R 43/20; H01R 9/0524;
H01R 9/0518; H01R 43/24; H01R 43/26
See application file for complete search history.

(56) **References Cited**

U.S. PATENT DOCUMENTS

5,224,874	A	*	7/1993	Sell	H01R 13/18
						29/883
D398,493	S	*	9/1998	Jones	D8/21
D461,167	S	*	8/2002	Montena	D13/154
7,544,094	B1	*	6/2009	Paglia	H01R 9/0518
						439/585
D646,227	S	*	10/2011	Natoli	D13/156
D724,936	S	*	3/2015	Coronado	D8/397
D743,891	S	*	11/2015	Shaw	D13/133
D794,760	S	*	8/2017	Morlet	D23/265

(Continued)

Primary Examiner — Sandra S Snapp

Assistant Examiner — Ieisha N Price

(74) *Attorney, Agent, or Firm* — Blank Rome LLP

(57) **CLAIM**

The ornamental design for the connector sleeve, as shown and described.

DESCRIPTION

FIG. 1 is a perspective view of a connector sleeve in accordance with a first embodiment of the present design; FIG. 2 is a top plan view of the connector sleeve illustrated in FIG. 1;

FIG. 3 is a bottom plan view of the connector sleeve illustrated in FIG. 1;

FIG. 4 is a right side view of the connector sleeve illustrated in FIG. 1;

FIG. 5 is a left side view of the connector sleeve illustrated in FIG. 1;

FIG. 6 is a front view of the connector sleeve illustrated in FIG. 1;

FIG. 7 is a rear view of the connector sleeve illustrated in FIG. 1;

FIG. 8 is a perspective view of a connector sleeve in accordance with a second embodiment of the present design; FIG. 9 is a top plan view of the connector sleeve illustrated in FIG. 8;

FIG. 10 is a bottom plan view of the connector sleeve illustrated in FIG. 8;

FIG. 11 is a right side view of the connector sleeve illustrated in FIG. 8;

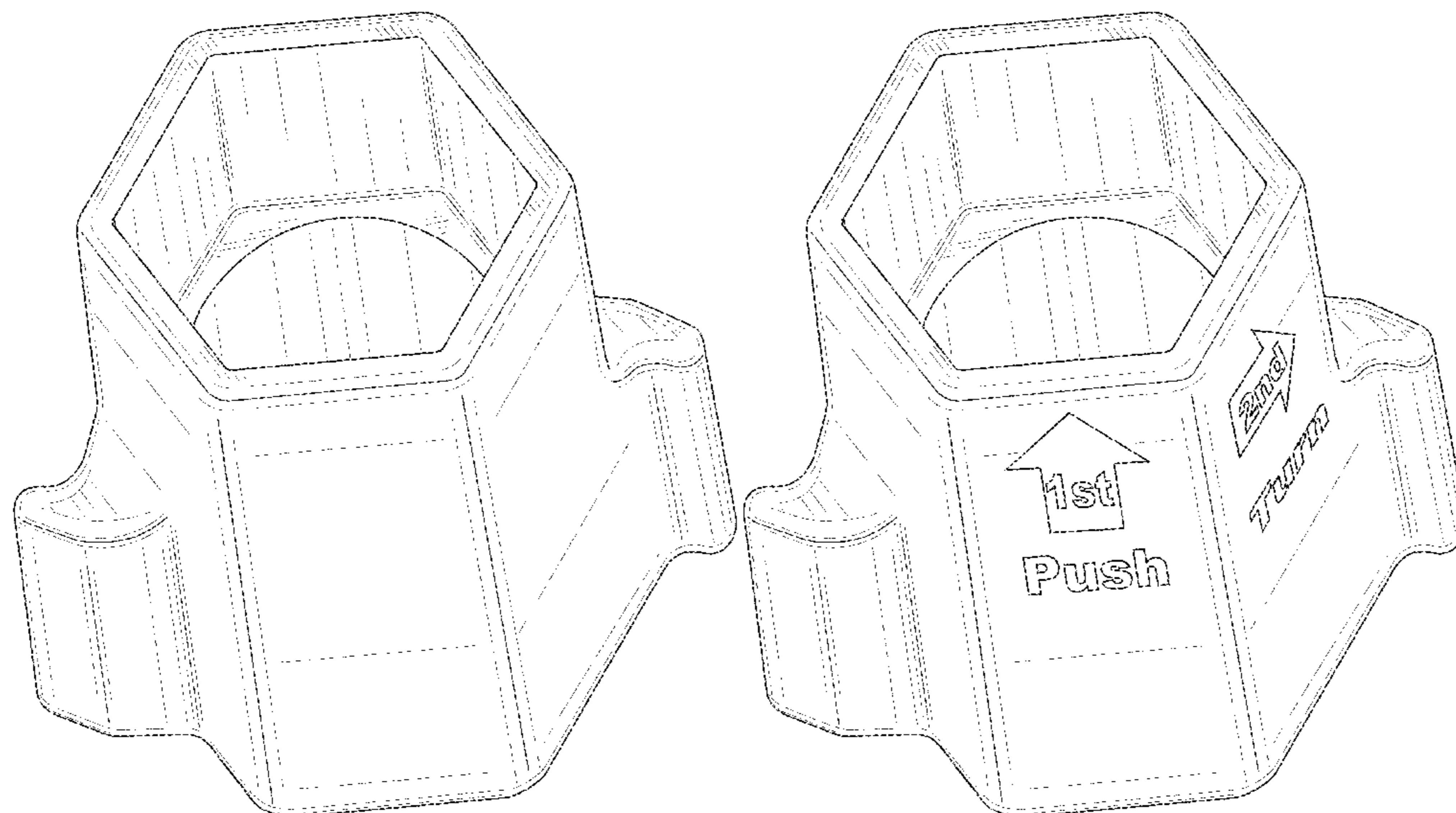
FIG. 12 is a left side view of the connector sleeve illustrated in FIG. 8;

FIG. 13 is a front view of the connector sleeve illustrated in FIG. 8; and,

FIG. 14 is a rear view of the connector sleeve illustrated in FIG. 8.

The broken lines in the drawings illustrate portions of the connector sleeve and form no part of the claimed design.

1 Claim, 14 Drawing Sheets



(56)

References Cited

U.S. PATENT DOCUMENTS

D795,399	S *	8/2017	Morlet	D23/265
D810,024	S *	2/2018	Watkins	D13/133
D810,025	S *	2/2018	Watkins	D13/133
D810,684	S *	2/2018	Watkins	D13/133
D810,685	S *	2/2018	Watkins	D13/133
D815,046	S *	4/2018	Blake	D13/151
D837,744	S *	1/2019	Maroney	D13/154
D838,675	S *	1/2019	Edmonds	D13/154
D839,193	S *	1/2019	Menolotto	D13/133
D839,213	S *	1/2019	Maroney	D13/154
2011/0111626	A1 *	5/2011	Paglia	H01R 9/0524 439/584
2012/0270439	A1 *	10/2012	Tremba	H01R 9/0524 439/578
2014/0370748	A1 *	12/2014	Lee	H01R 9/0524 439/583
2015/0111429	A1 *	4/2015	Hoyak	H01R 9/05 439/607.17
2017/0365949	A1 *	12/2017	Montena	H01R 13/622
2018/0062307	A1 *	3/2018	Thakare	H01R 13/622

* cited by examiner

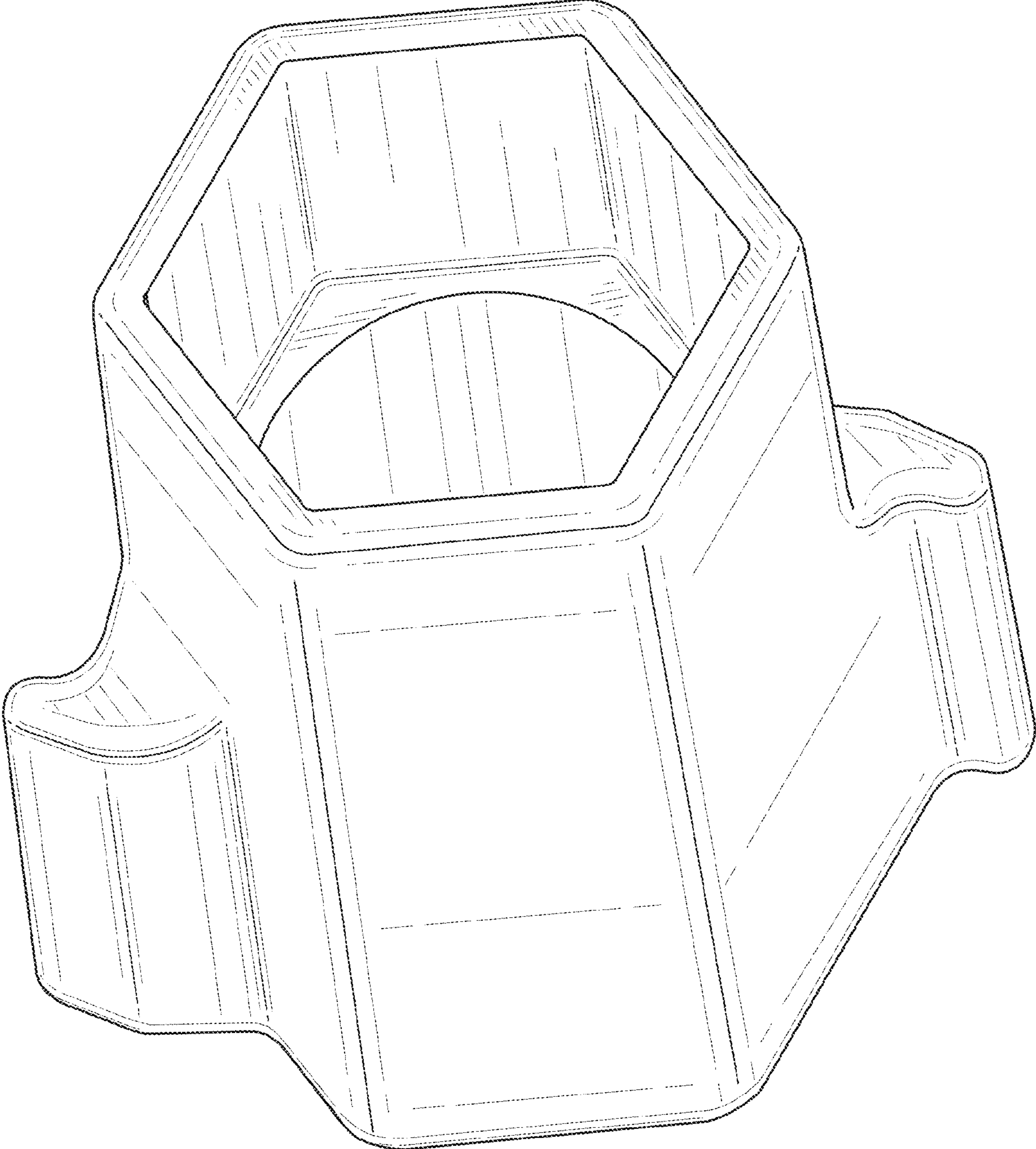


FIG. 1

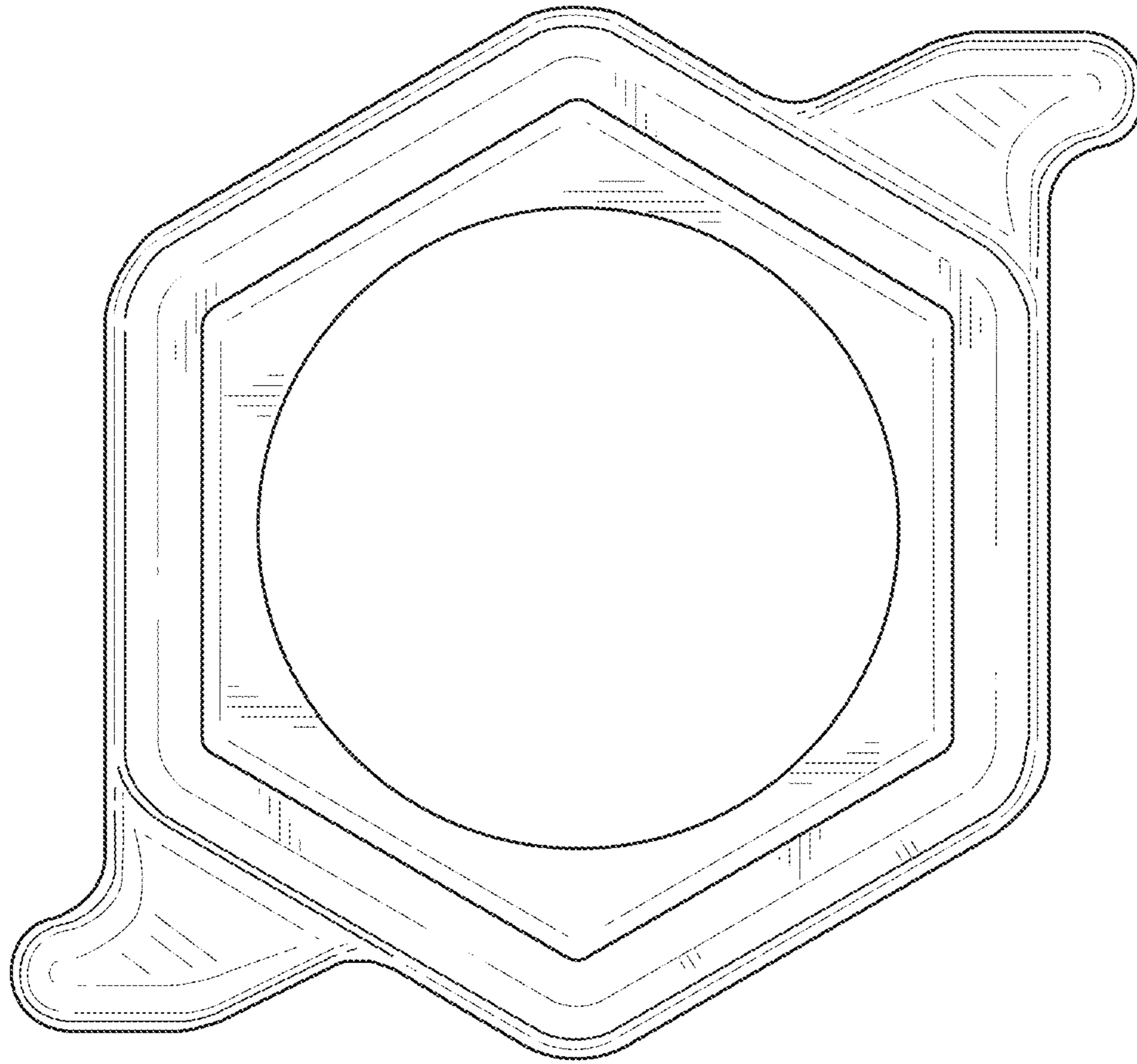


FIG. 2

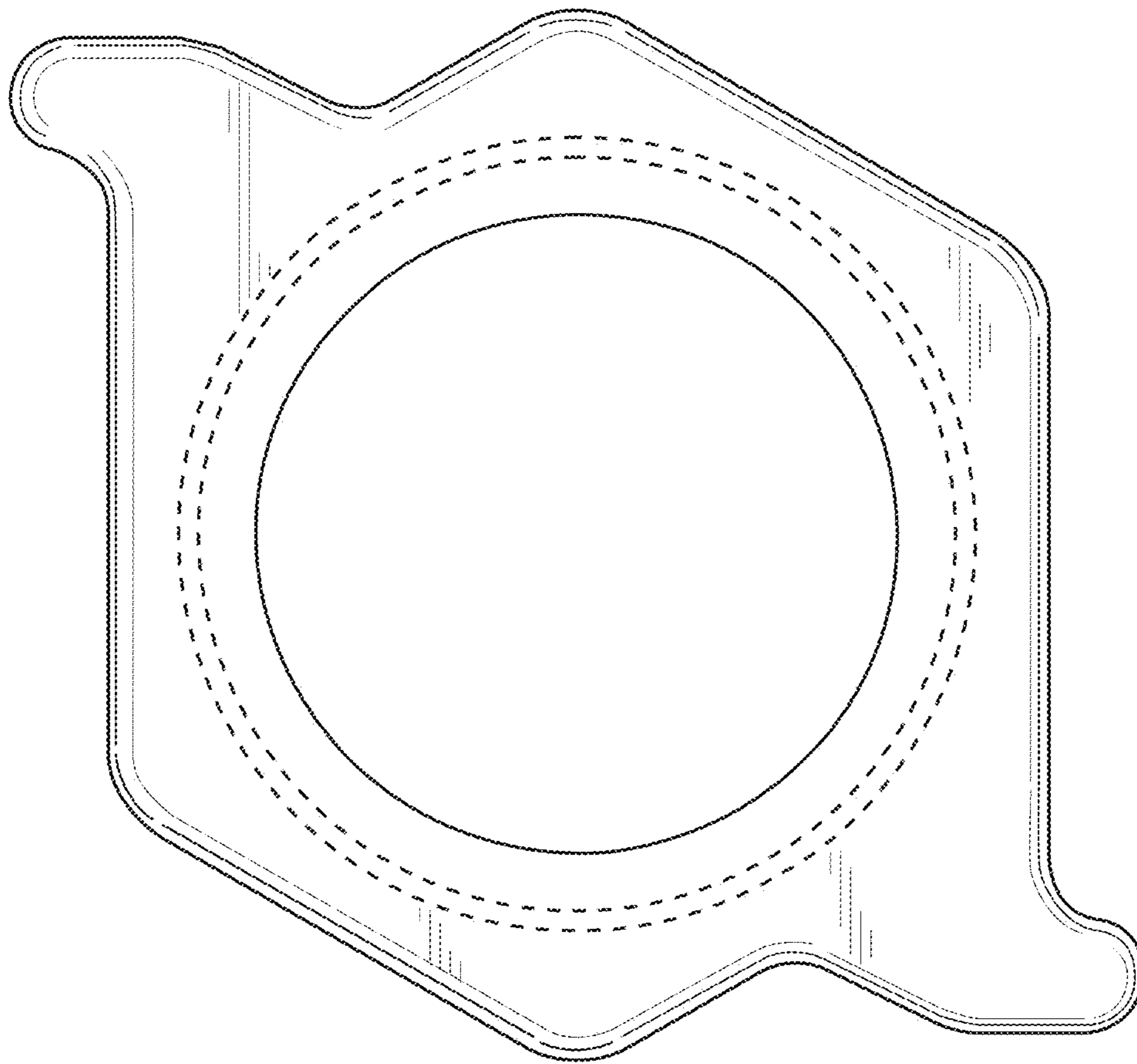


FIG. 3

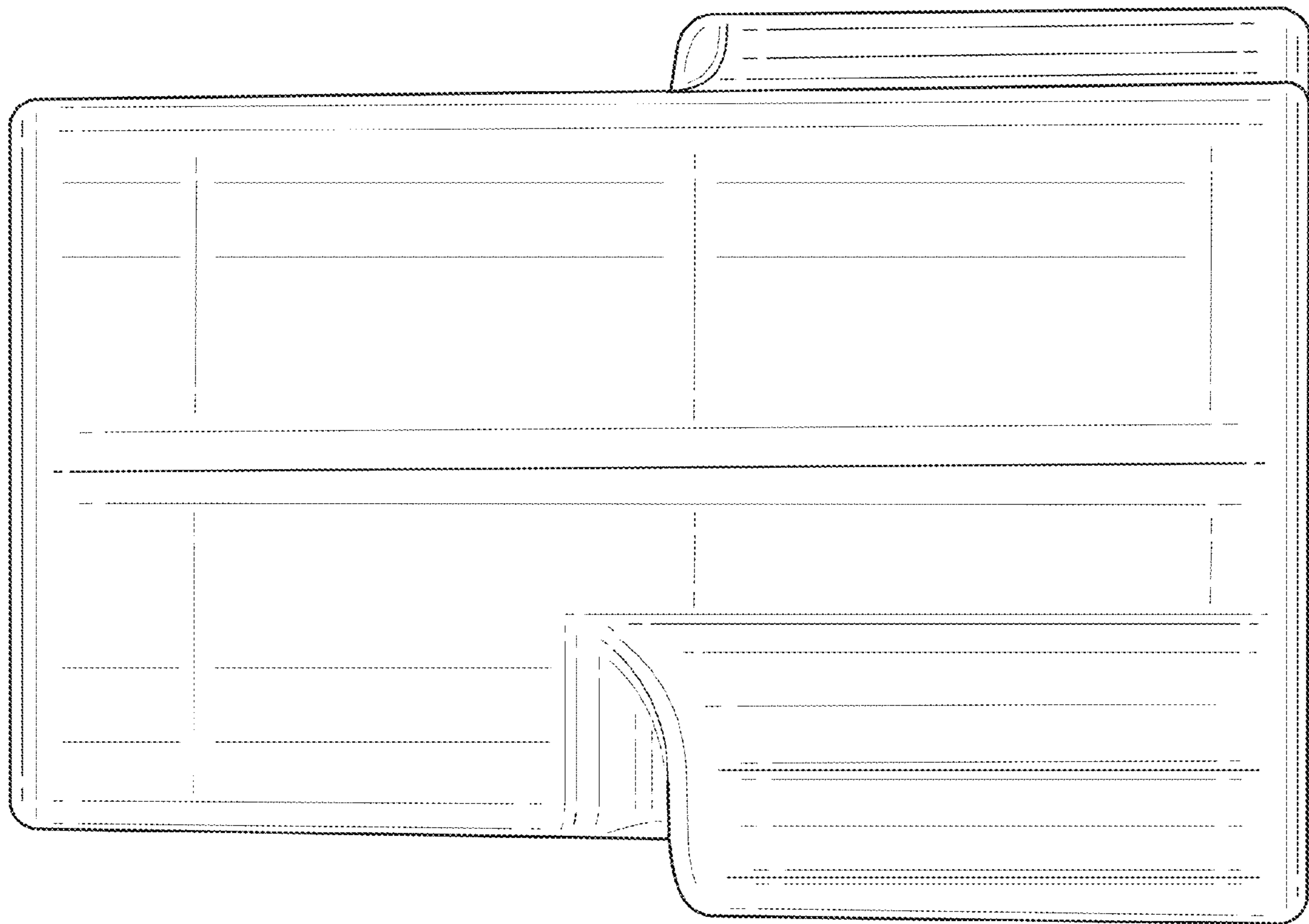


FIG. 4

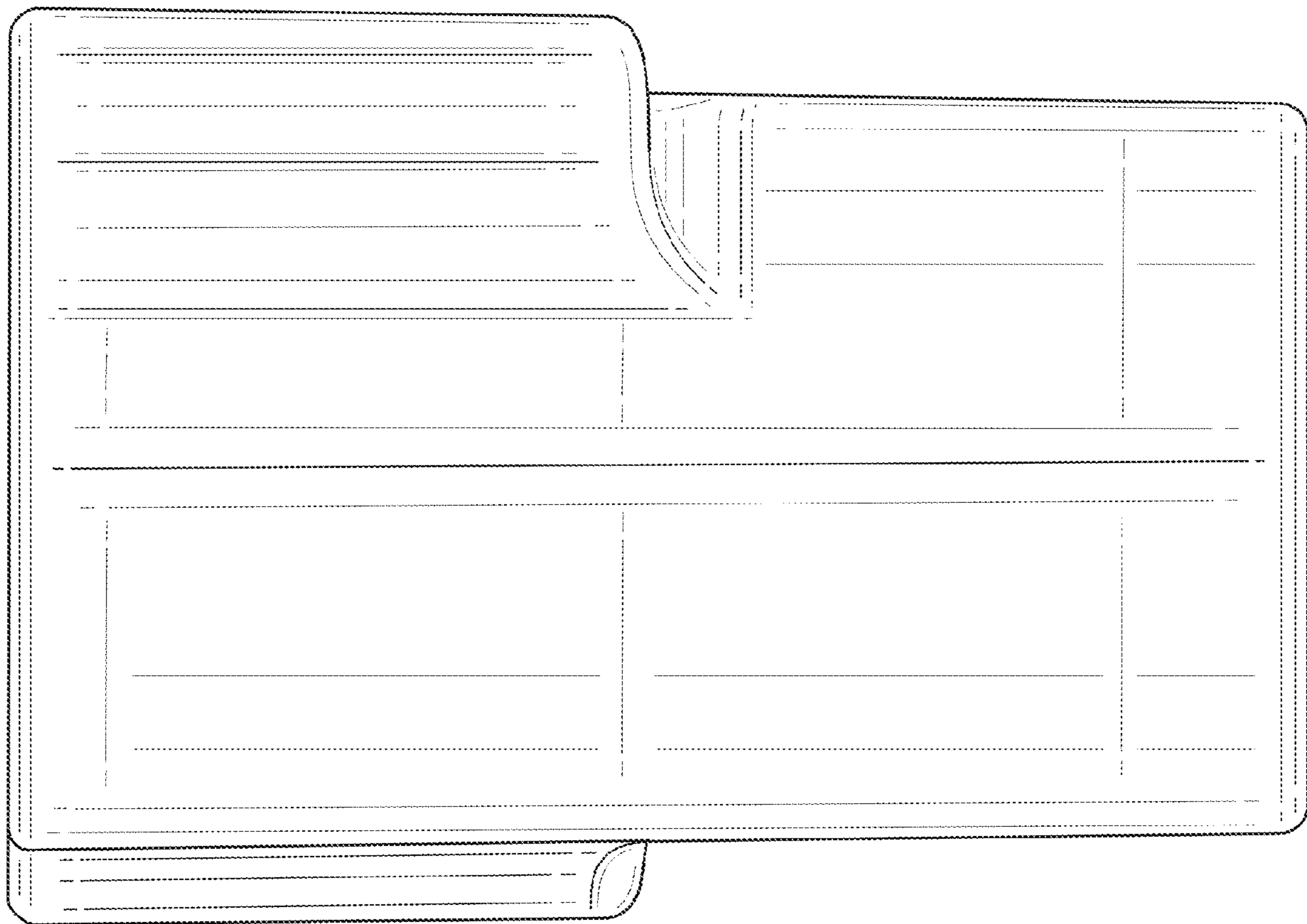


FIG. 5

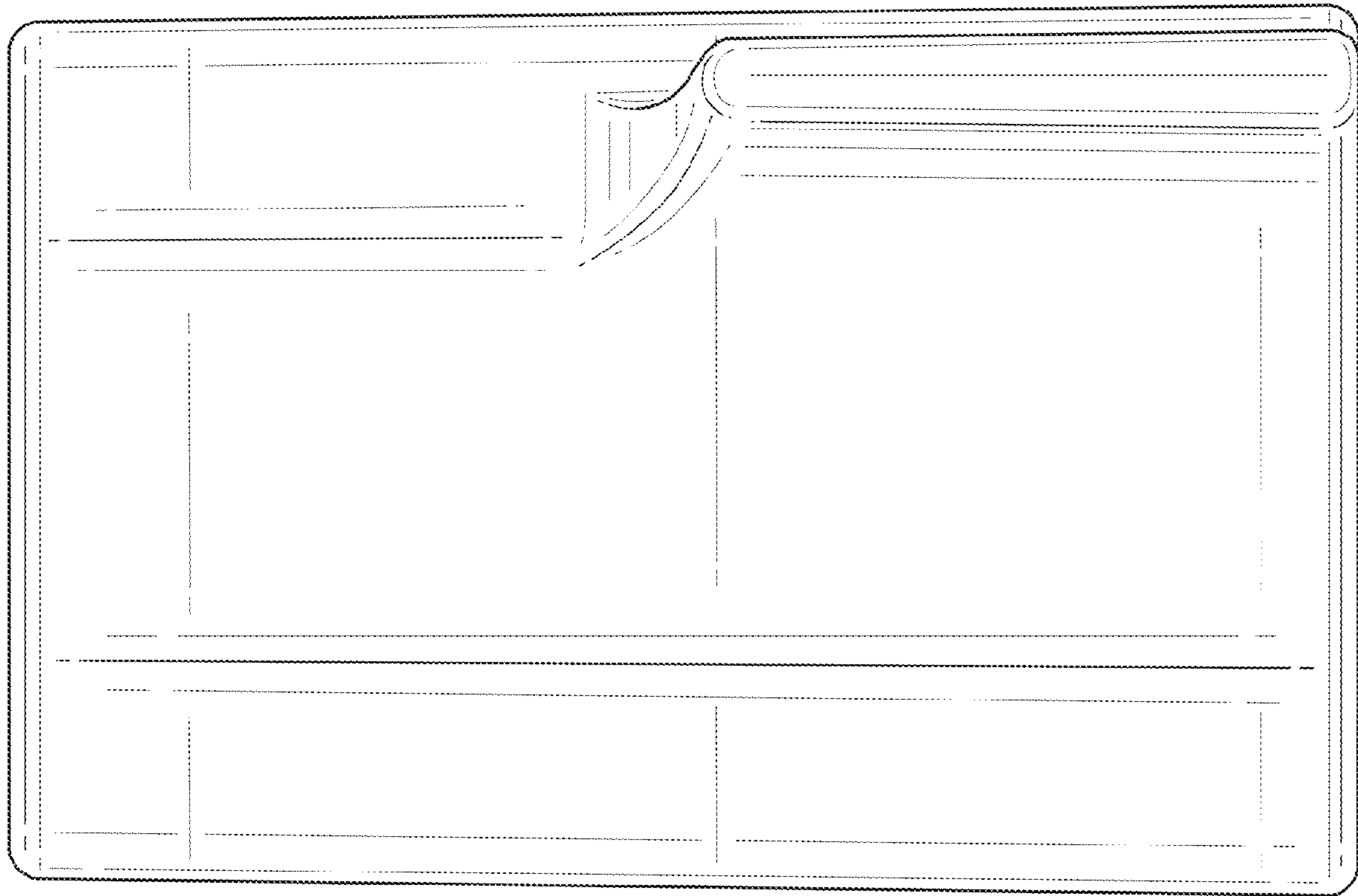


FIG. 6

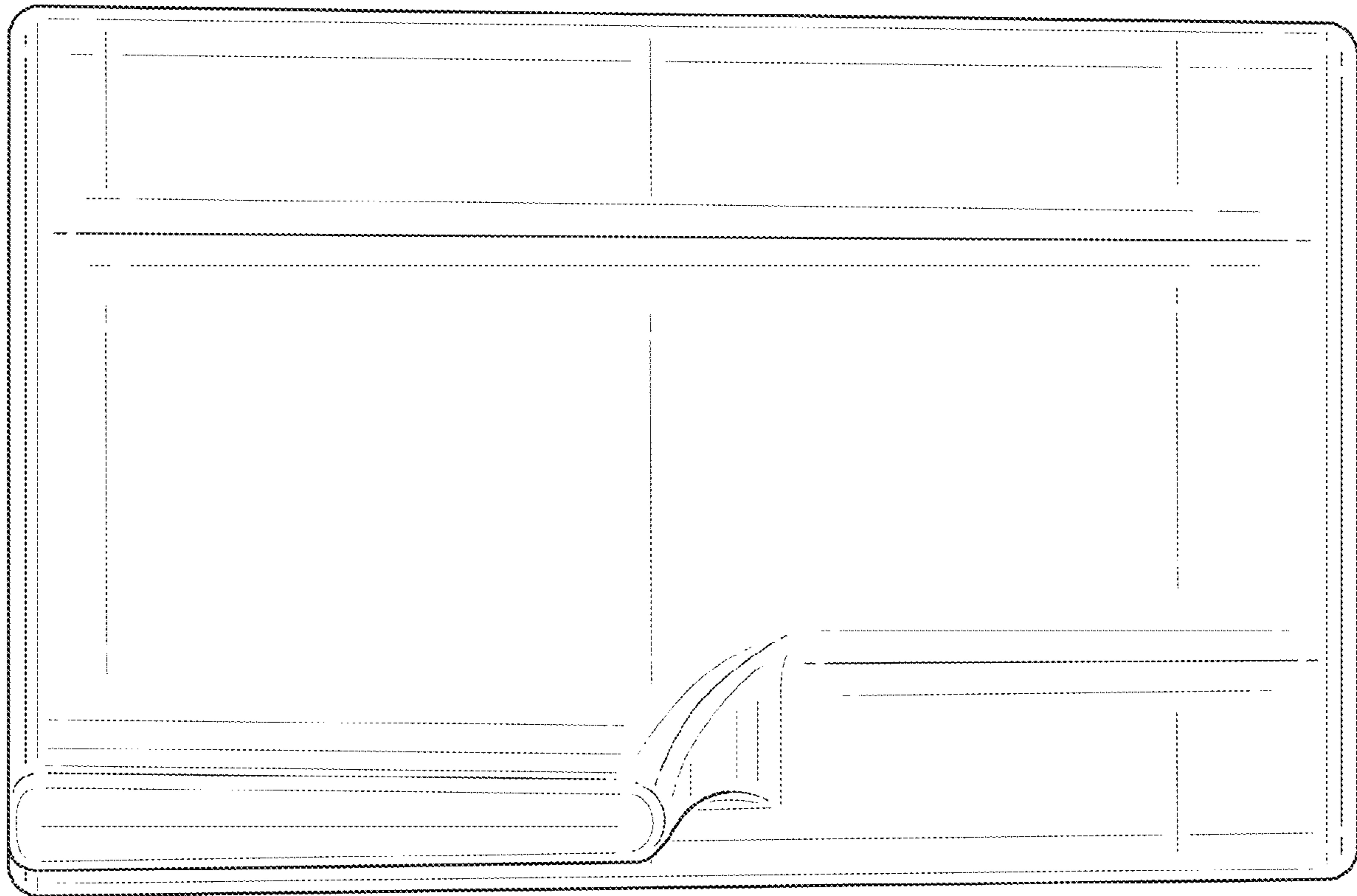


FIG. 7

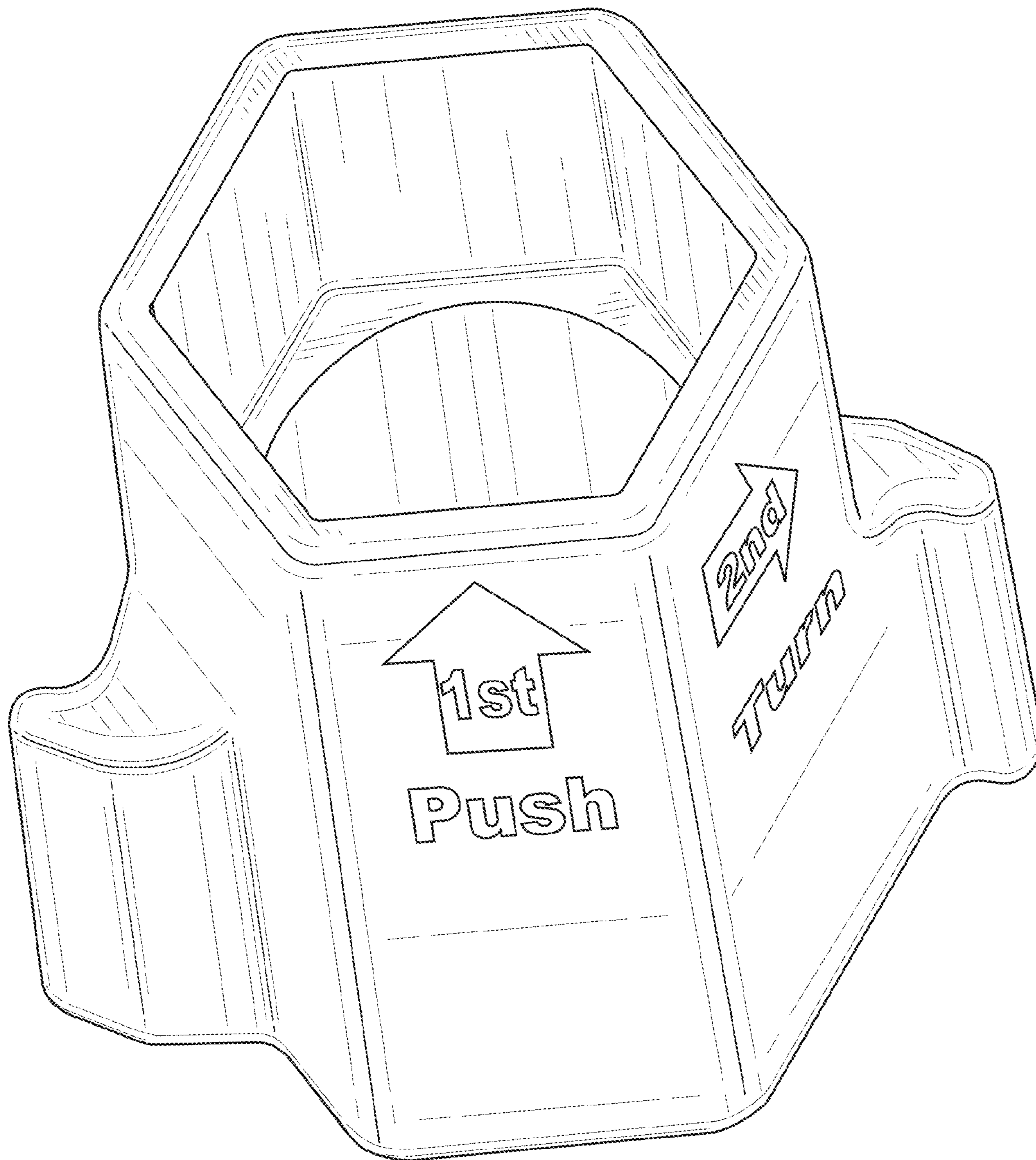


FIG. 8

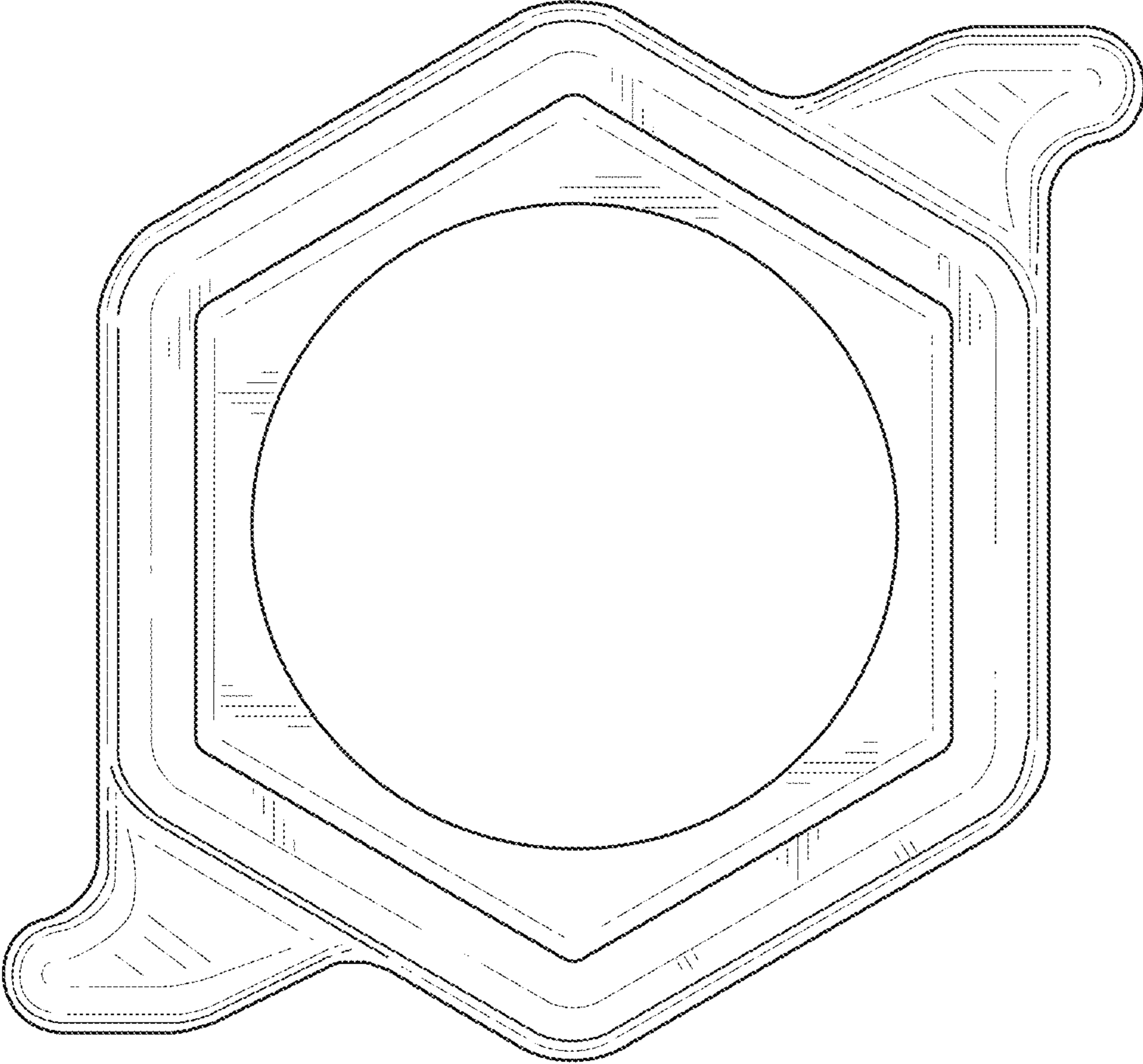


FIG. 9

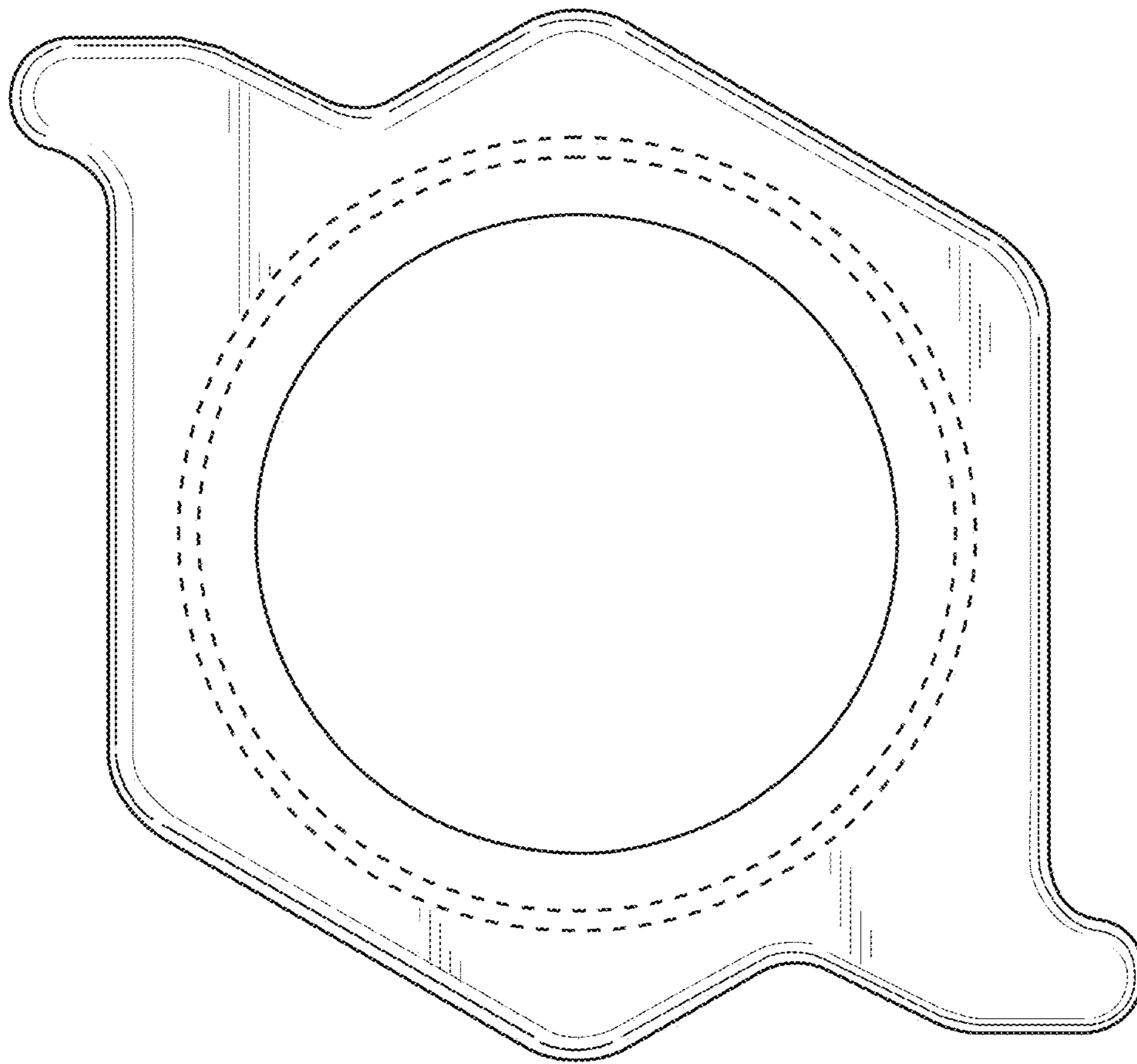


FIG. 10

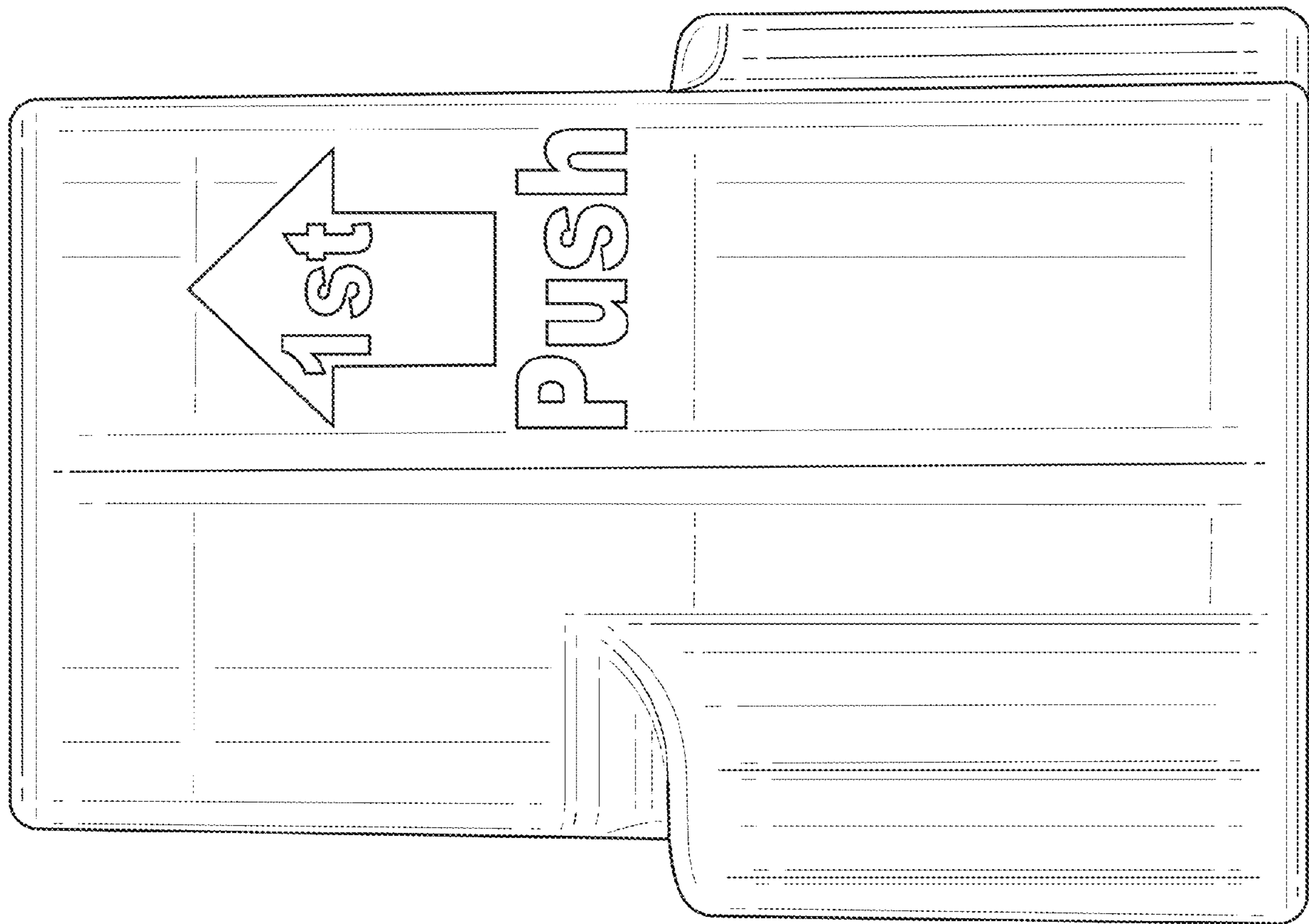


FIG. 11

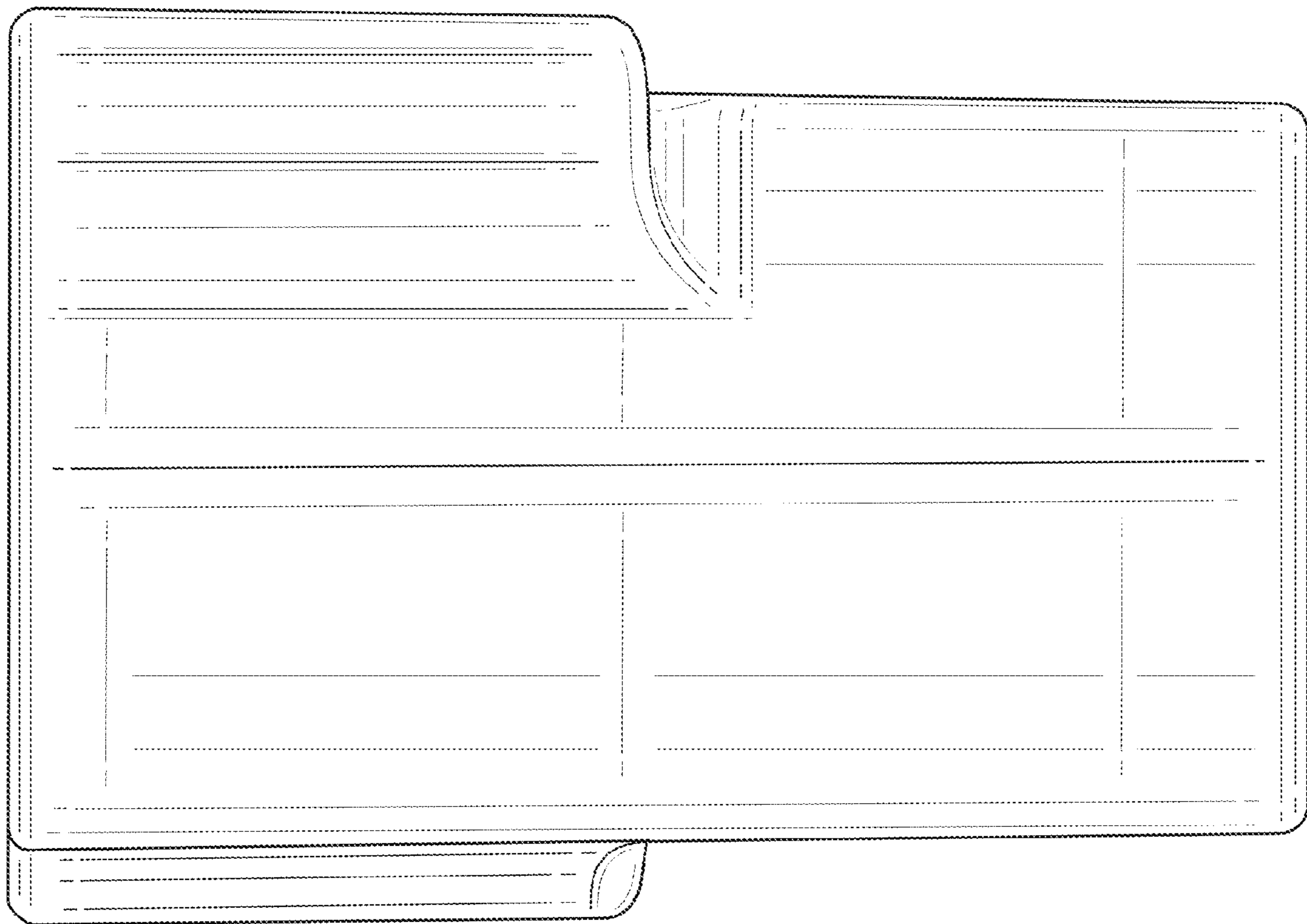


FIG. 12

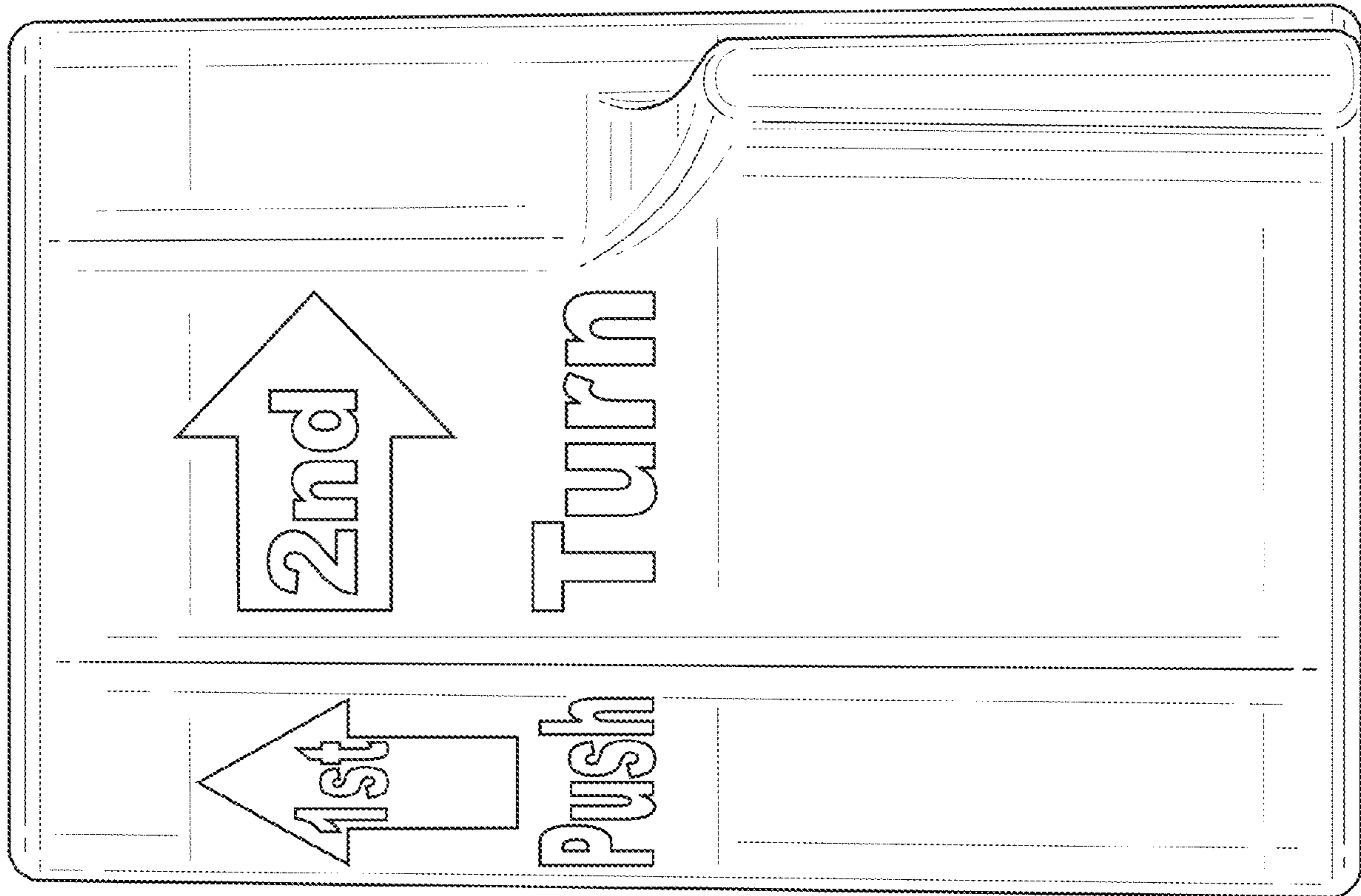


FIG. 13

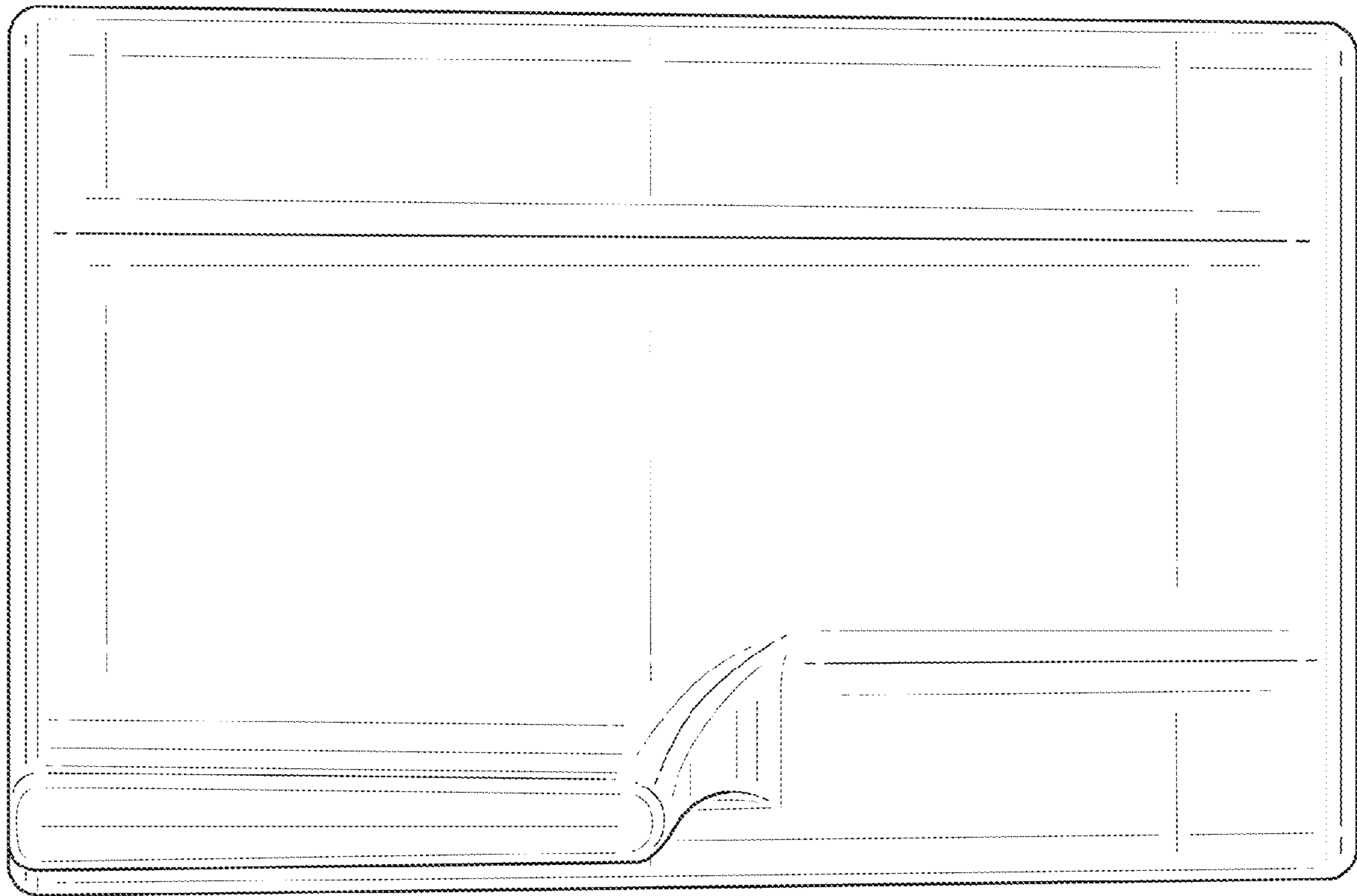


FIG. 14