



US00D873220S

(12) **United States Design Patent**
Ishiguro et al.

(10) **Patent No.:** **US D873,220 S**
(45) **Date of Patent:** **** Jan. 21, 2020**

(54) **OPTICAL CONNECTOR**

(71) Applicant: **JAPAN AVIATION ELECTRONICS INDUSTRY, LIMITED**, Tokyo (JP)

(72) Inventors: **Masaki Ishiguro**, Tokyo (JP); **Hideto Shimazu**, Tokyo (JP); **Yuichi Koreeda**, Tokyo (JP)

(73) Assignee: **Japan Aviation Electronics Industry, Limited**, Tokyo (JP)

(**) Term: **15 Years**

(21) Appl. No.: **29/624,474**

(22) Filed: **Nov. 1, 2017**

(30) **Foreign Application Priority Data**

May 17, 2017 (JP) 2017-010543

(51) **LOC (12) Cl.** **13-03**

(52) **U.S. Cl.**
USPC **D13/133**

(58) **Field of Classification Search**

USPC D13/133, 147, 154
CPC .. G02B 6/4261; G02B 6/4224; G02B 6/4292;
G02B 6/3817; G02B 6/3879; G02B
6/426; G02B 6/3885; G02B 6/3816;
G02B 6/3821; G02B 6/3825; G02B
6/3849; G02B 6/3893; G02B 6/3891;
G02B 6/38

See application file for complete search history.

(56) **References Cited**

U.S. PATENT DOCUMENTS

D306,011 S * 2/1990 Komatsu D13/147
D325,191 S * 4/1992 Shibano D13/147

D610,997 S * 3/2010 Sakamoto D13/147
D712,360 S * 9/2014 Su D13/147
D744,954 S * 12/2015 Ishiguro D13/147
D751,505 S * 3/2016 Katagiyama D13/133
D754,073 S * 4/2016 Katagiyama D13/133
D826,862 S * 8/2018 Salman D13/146
D848,954 S * 5/2019 Chadbourne D13/154
2011/0211792 A1 * 9/2011 Koreeda G02B 6/3879
385/60
2018/0156995 A1 * 6/2018 Katagiyama G02B 6/4277
2018/0323543 A1 * 11/2018 Koreeda H01R 13/639
2019/0049678 A1 * 2/2019 Koreeda G02B 6/4261

* cited by examiner

Primary Examiner — Bridget L Eland

(74) *Attorney, Agent, or Firm* — Cermak Nakajima & McGowan LLP; Tomoko Nakajima

(57) **CLAIM**

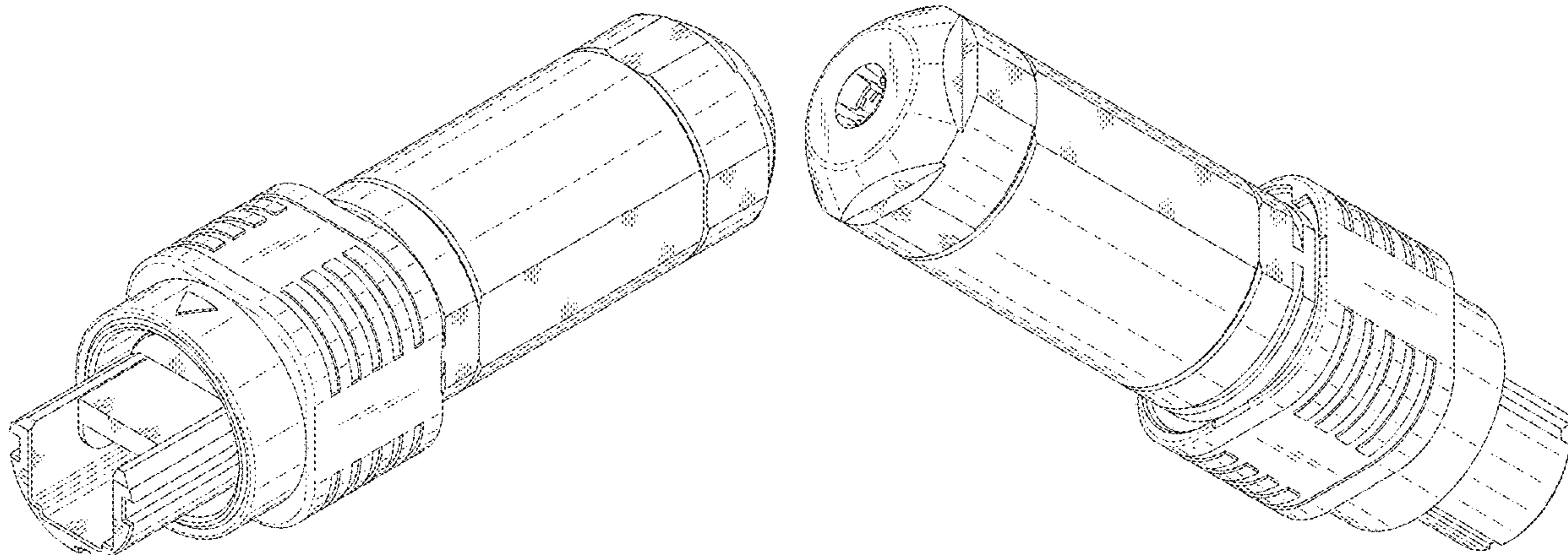
The ornamental design for an optical connector, as shown and described.

DESCRIPTION

FIG. 1 is a front elevational view of an optical connector showing our new design;
FIG. 2 is a top plan view thereof;
FIG. 3 is a right side elevational view thereof;
FIG. 4 is a left side elevational view thereof;
FIG. 5 is a rear elevational view thereof;
FIG. 6 is a bottom plan view thereof;
FIG. 7 is a front and top perspective view thereof;
FIG. 8 is a rear and bottom perspective view thereof; and,
FIG. 9 is a cross sectional view thereof taken along in the direction of line A-A in FIG. 4.

The broken lines are directed to environment and are for illustrative purposes only; and the broken lines form no part of the claimed design.

1 Claim, 9 Drawing Sheets



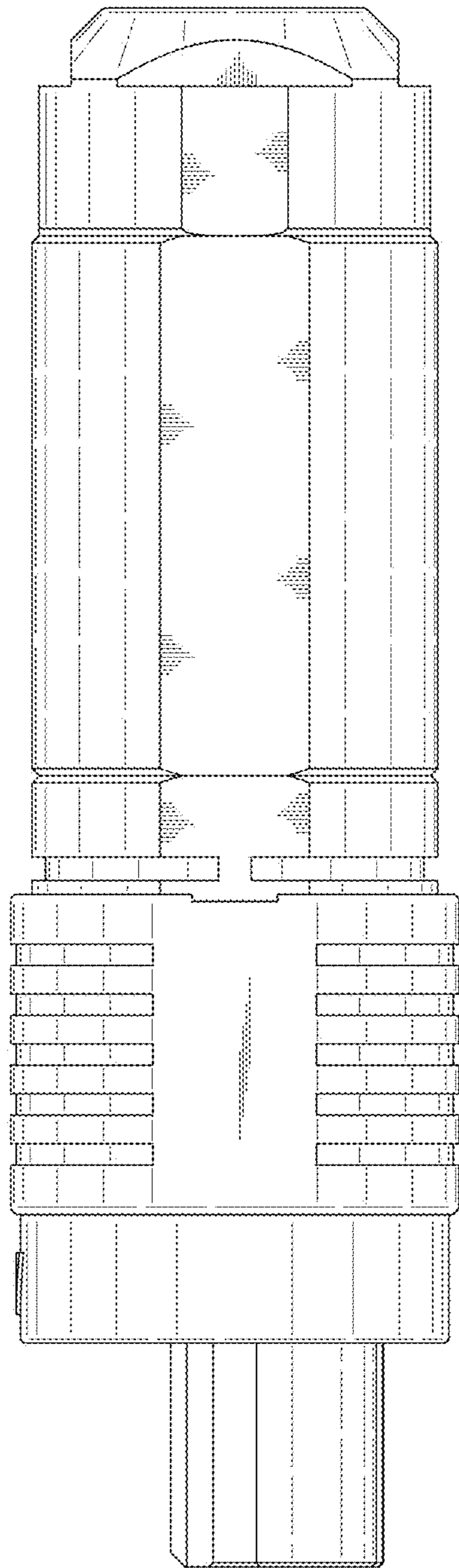


FIG.1

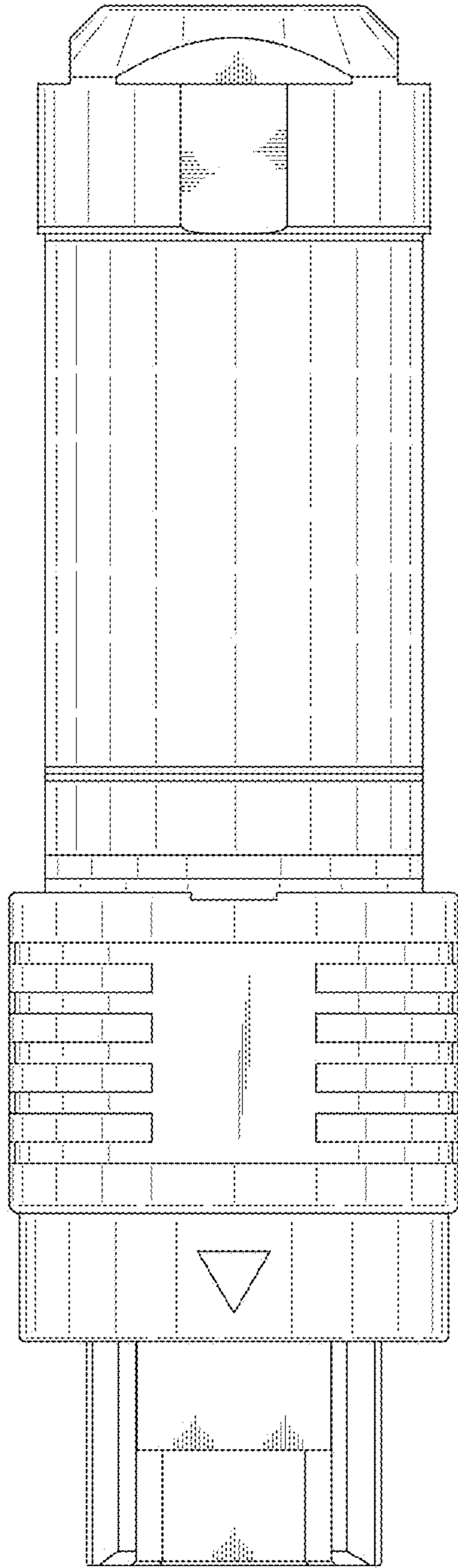


FIG.2

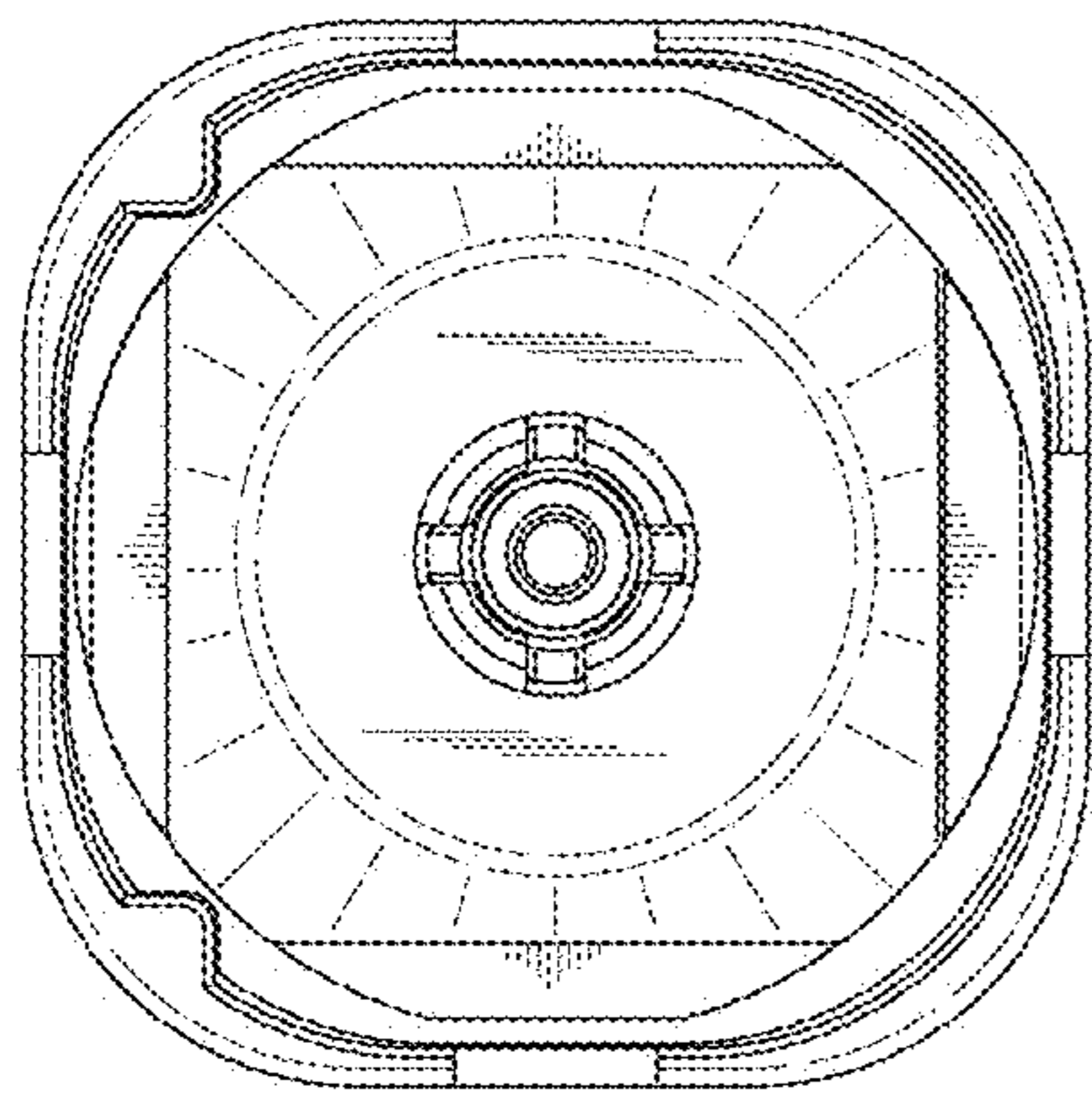


FIG.3

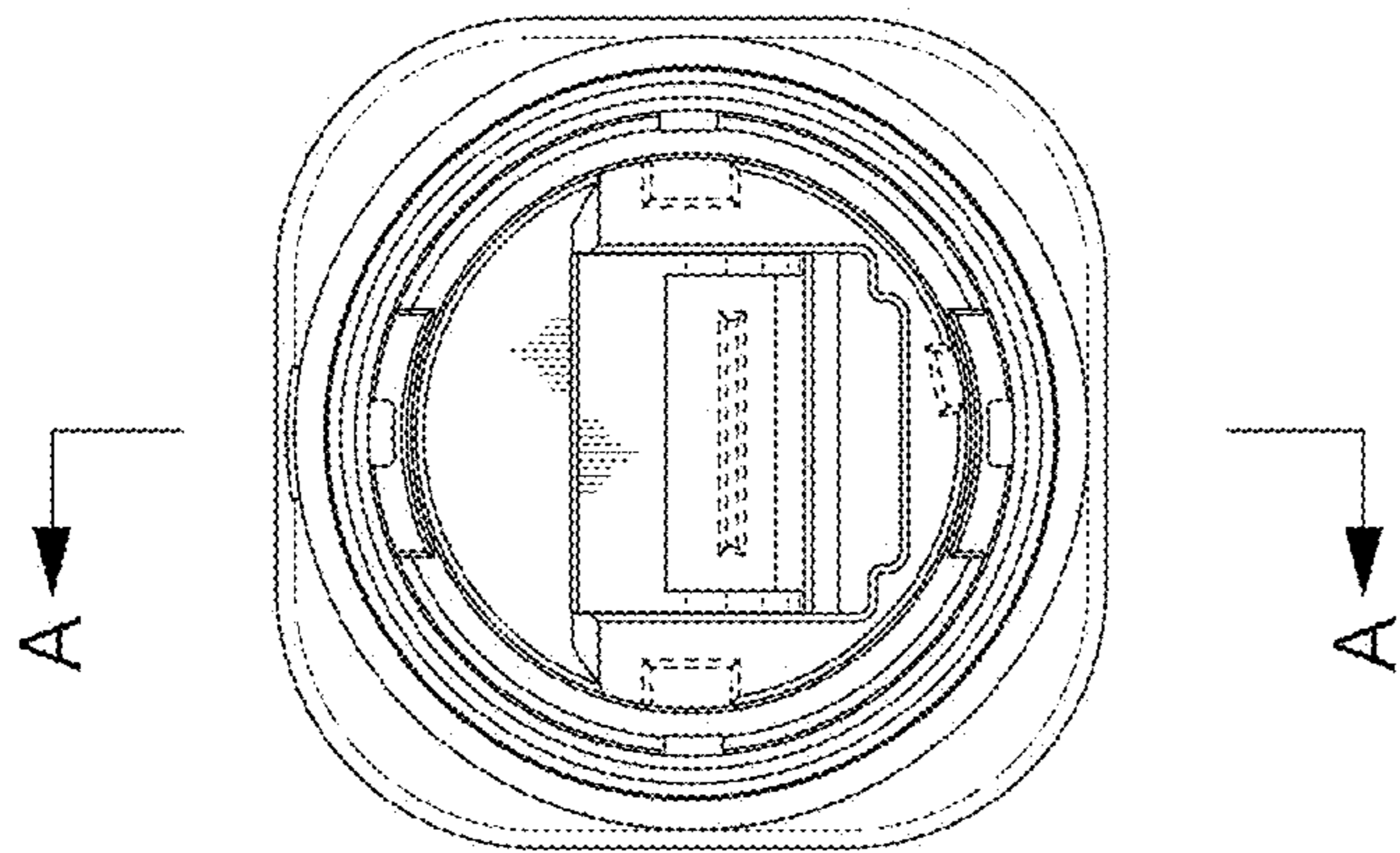


FIG.4

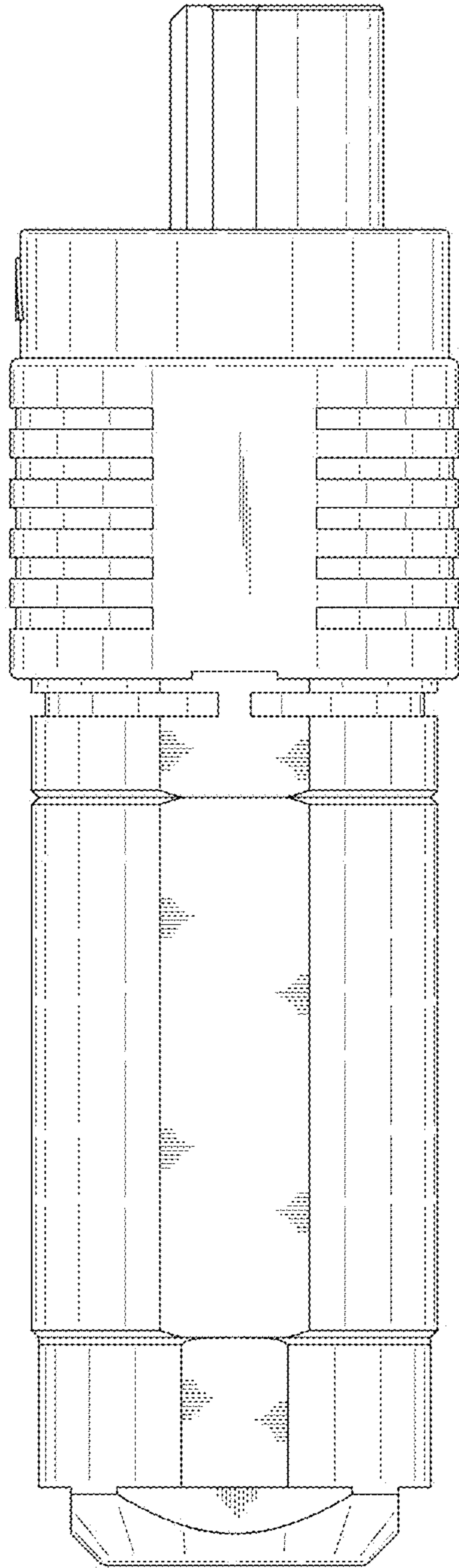


FIG.5

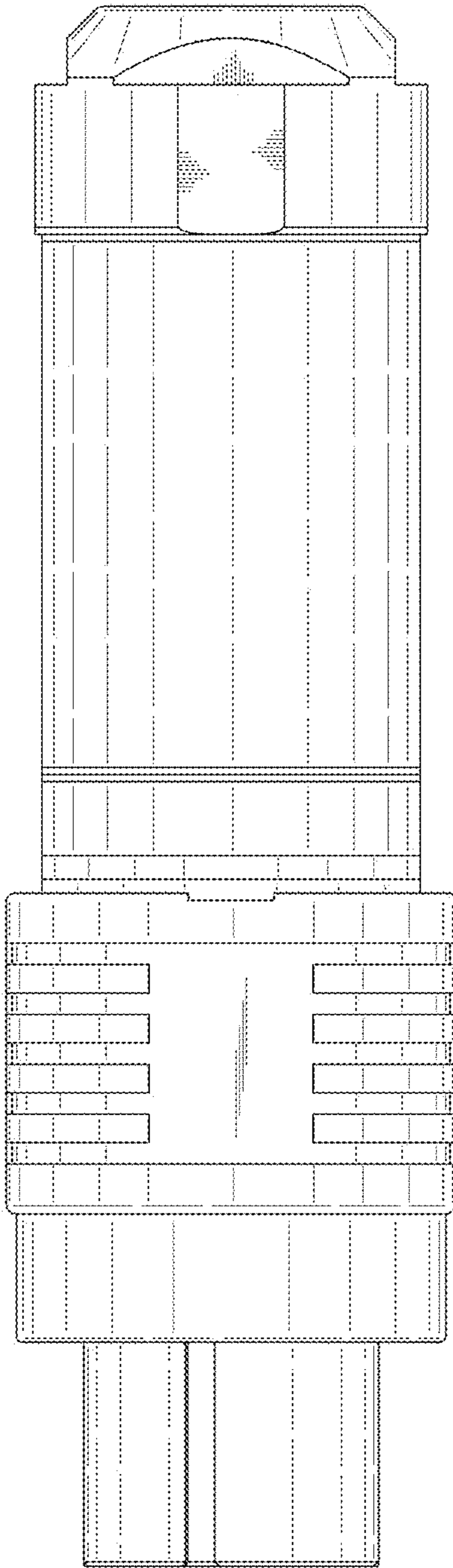


FIG.6

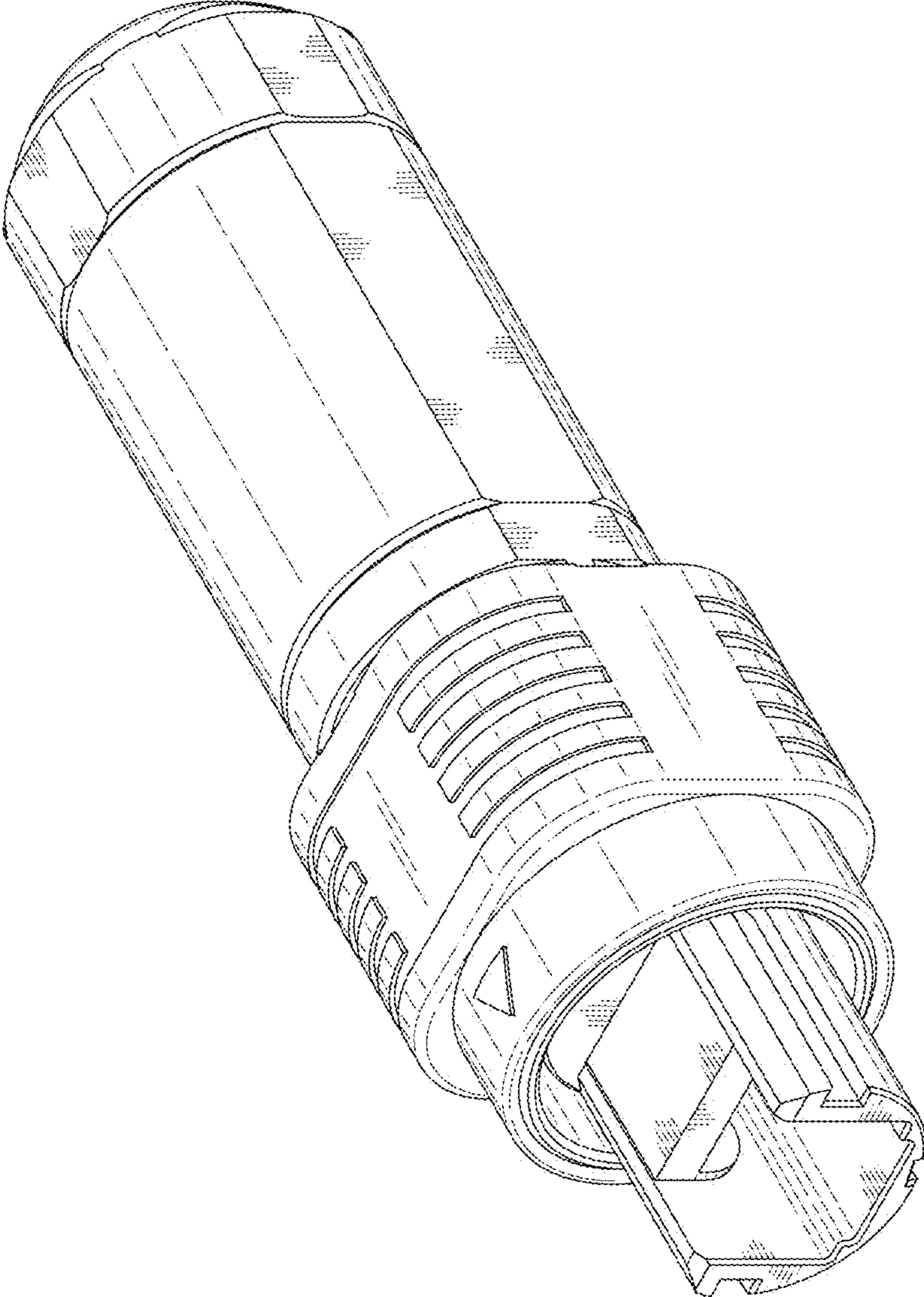


FIG.7

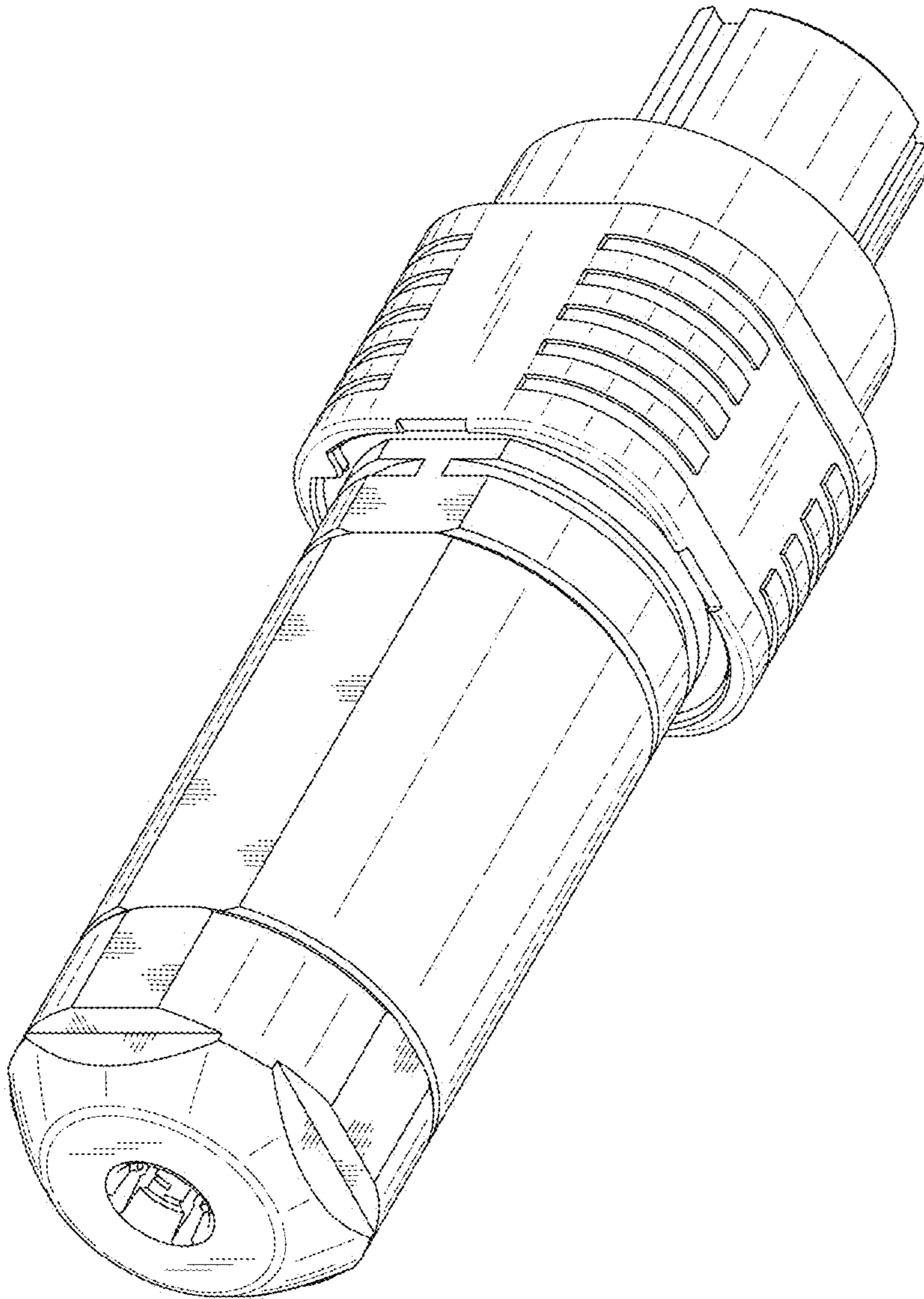


FIG.8

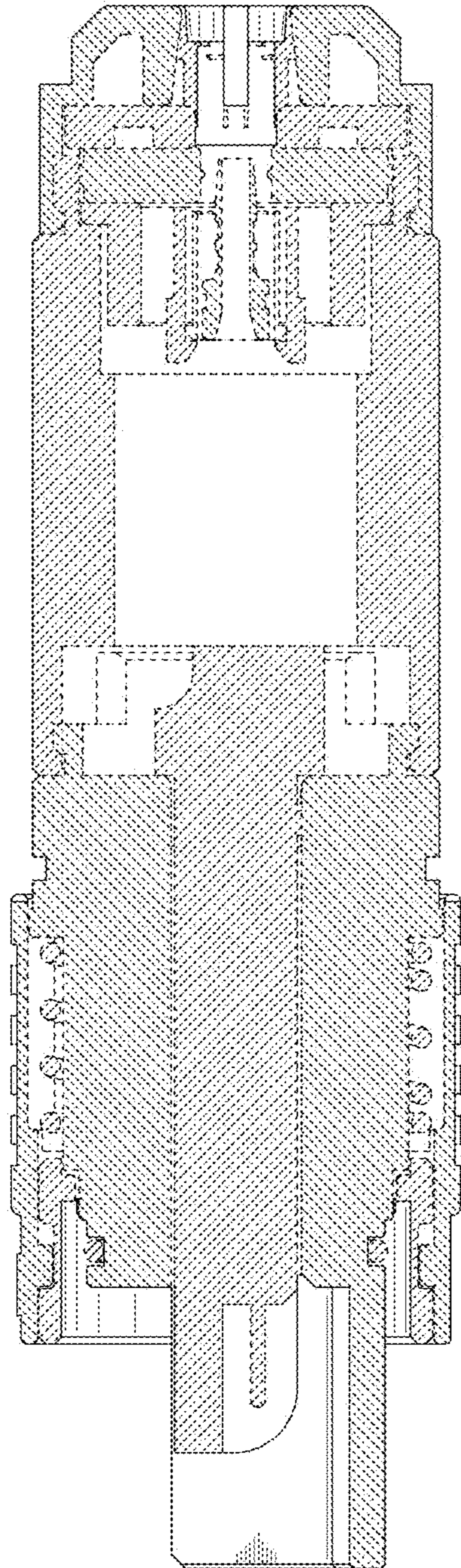


FIG. 9