



US00D873219S

(12) **United States Design Patent**
Sasaki

(10) **Patent No.:** **US D873,219 S**
(45) **Date of Patent:** **** Jan. 21, 2020**

(54) **ELECTRIC CONNECTOR**

(71) Applicant: **Hosiden Corporation**, Osaka (JP)

(72) Inventor: **Daisuke Sasaki**, Osaka (JP)

(73) Assignee: **Hosiden Corporation**, Osaka (JP)

(**) Term: **15 Years**

(21) Appl. No.: **29/618,108**

(22) Filed: **Sep. 19, 2017**

(30) **Foreign Application Priority Data**

Apr. 12, 2017 (JP) 2017-007810
Apr. 12, 2017 (JP) 2017-007811

(51) **LOC (12) Cl.** **13-03**

(52) **U.S. Cl.**
USPC **D13/133**

(58) **Field of Classification Search**
USPC D13/118, 123, 133, 137.1–139.8,
D13/145–147, 152, 154, 156, 173, 177,
D13/184, 199

CPC H01R 12/00; H01R 13/40; H01R 13/436;
H01R 13/52; H01R 13/62; H01R 13/627;
H01R 13/64; H01R 13/648; H01R 13/66;
H01R 13/74; H01R 24/00; H01R 24/28;
H01R 11/20; H01R 13/447; H01R 13/65;
H01R 13/629; H01R 13/6461; H01R
13/6581; H01R 24/04; H01R 43/00;
H01R 43/26

See application file for complete search history.

(56) **References Cited**

U.S. PATENT DOCUMENTS

D464,318 S * 10/2002 Togashi D13/133
D491,146 S * 6/2004 Hu D13/147
D491,147 S * 6/2004 Ji D13/147

D585,025 S * 1/2009 Kudo D13/133
D616,826 S * 6/2010 Ebihara D13/147
D762,583 S * 8/2016 Dick D13/147
D780,121 S * 2/2017 Crockett D13/139.1
D801,933 S * 11/2017 Sasaki D13/133
D801,934 S * 11/2017 Sasaki D13/133
D809,464 S * 2/2018 Lin D13/147
D810,689 S * 2/2018 Takano D13/147
D850,382 S * 6/2019 Hisada D13/133
2007/0275597 A1 * 11/2007 Wang H01R 13/506
439/587
2010/0216331 A1 * 8/2010 Amidon H01R 4/2404
439/404
2013/0164966 A1 * 6/2013 Pepe H01R 13/40
439/358

(Continued)

Primary Examiner — Angela J Lee

Assistant Examiner — Shawn T Gingrich

(74) *Attorney, Agent, or Firm* — Dilworth & Barrese,
LLP

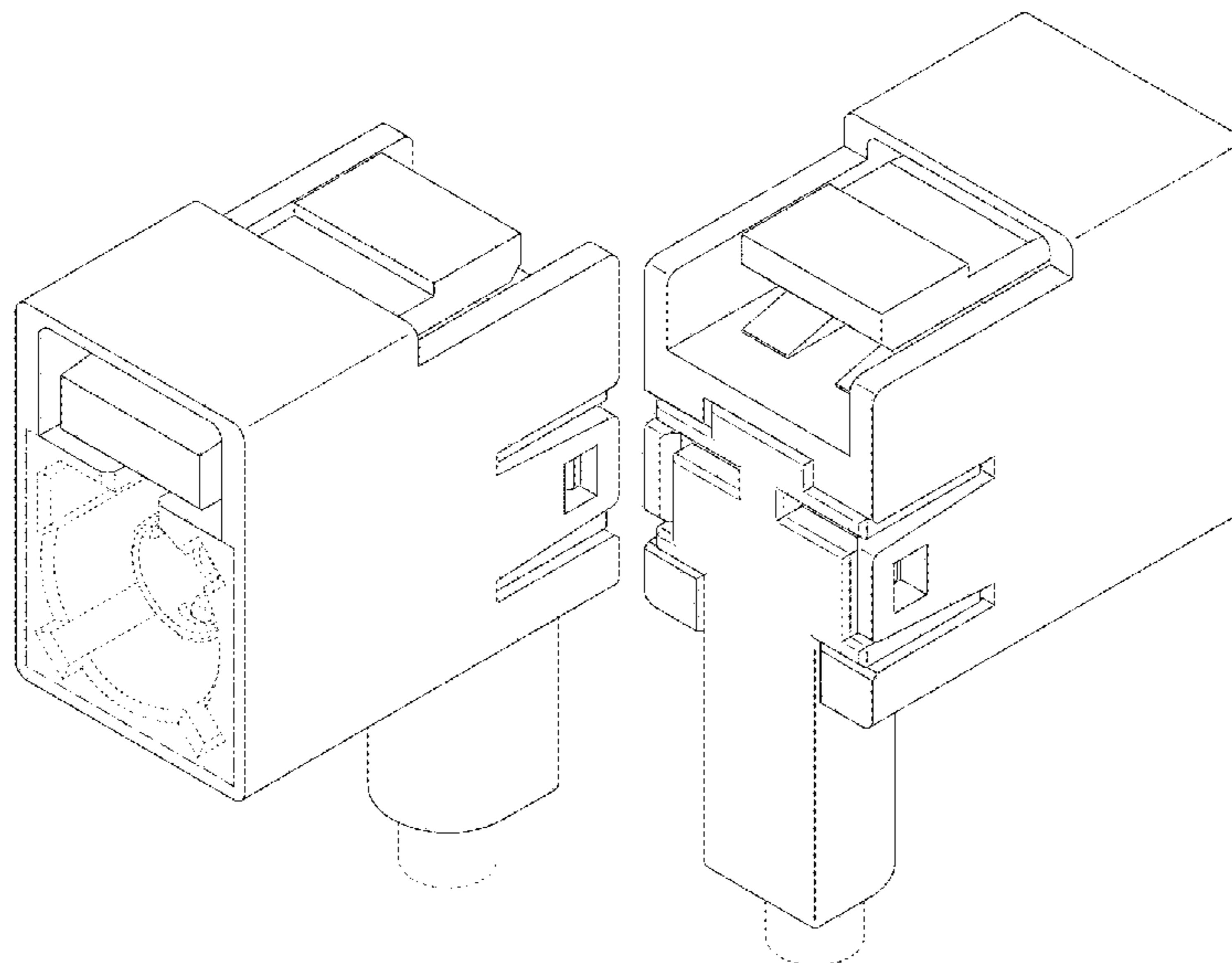
(57) **CLAIM**

The ornamental design for an electric connector, as shown and described.

DESCRIPTION

FIG. 1 is front elevational view of a first embodiment of an electric connector showing my new design;
FIG. 2 is a rear elevational view thereof;
FIG. 3 is a left side elevational view thereof;
FIG. 4 is a right side elevational view thereof;
FIG. 5 is a top plan view thereof;
FIG. 6 is a bottom plan view thereof;
FIG. 7 is a front, left side, top perspective view thereof; and,
FIG. 8 is a rear, right side, top perspective view thereof.
The broken lines showing of the electric connector is for the purpose of illustrating portions of the electric connector and forms no part of the claimed design.
The dot-dash broken lines define the boundaries of the claimed design and form no part of the claimed design.

1 Claim, 8 Drawing Sheets



(56)

References Cited

U.S. PATENT DOCUMENTS

2015/0263457 A1* 9/2015 Miyoshi H01R 13/6581
439/607.27
2015/0295350 A1* 10/2015 Bragg H01R 13/627
174/541
2018/0069349 A1* 3/2018 Kato H01R 13/6588
2018/0090897 A1* 3/2018 Pemwieser H01R 13/447

* cited by examiner

Fig.1

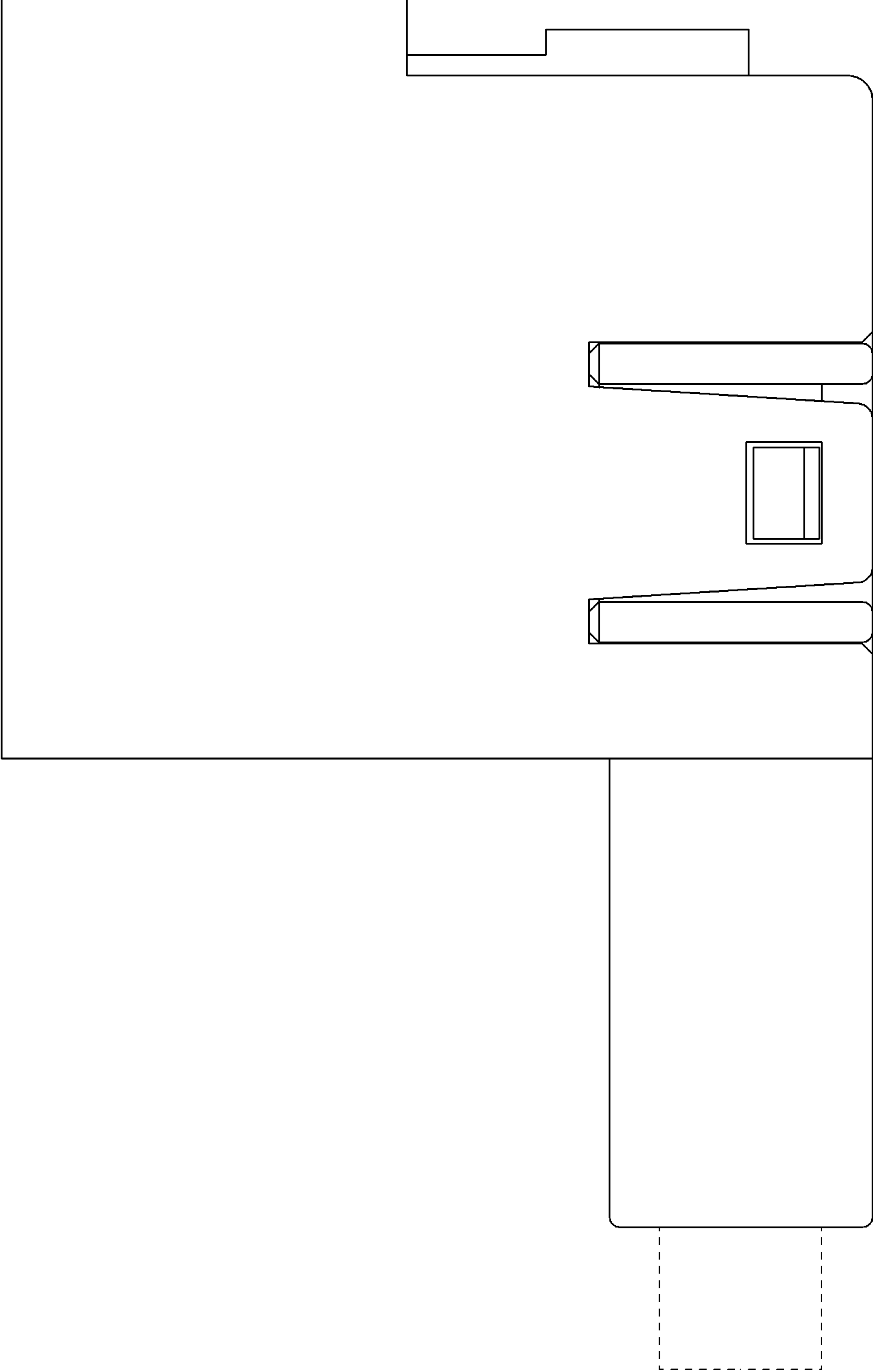


Fig.2

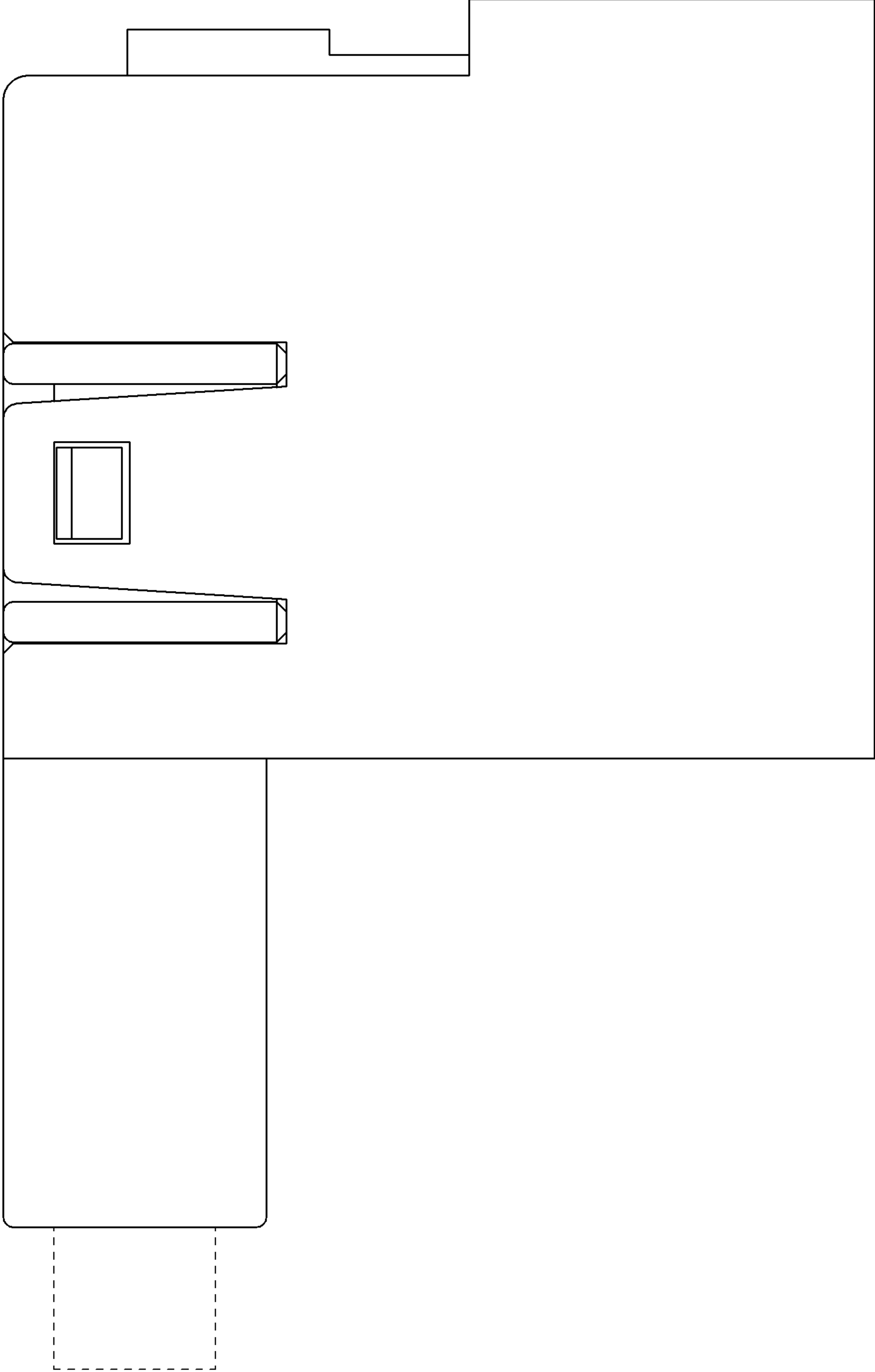


Fig. 3

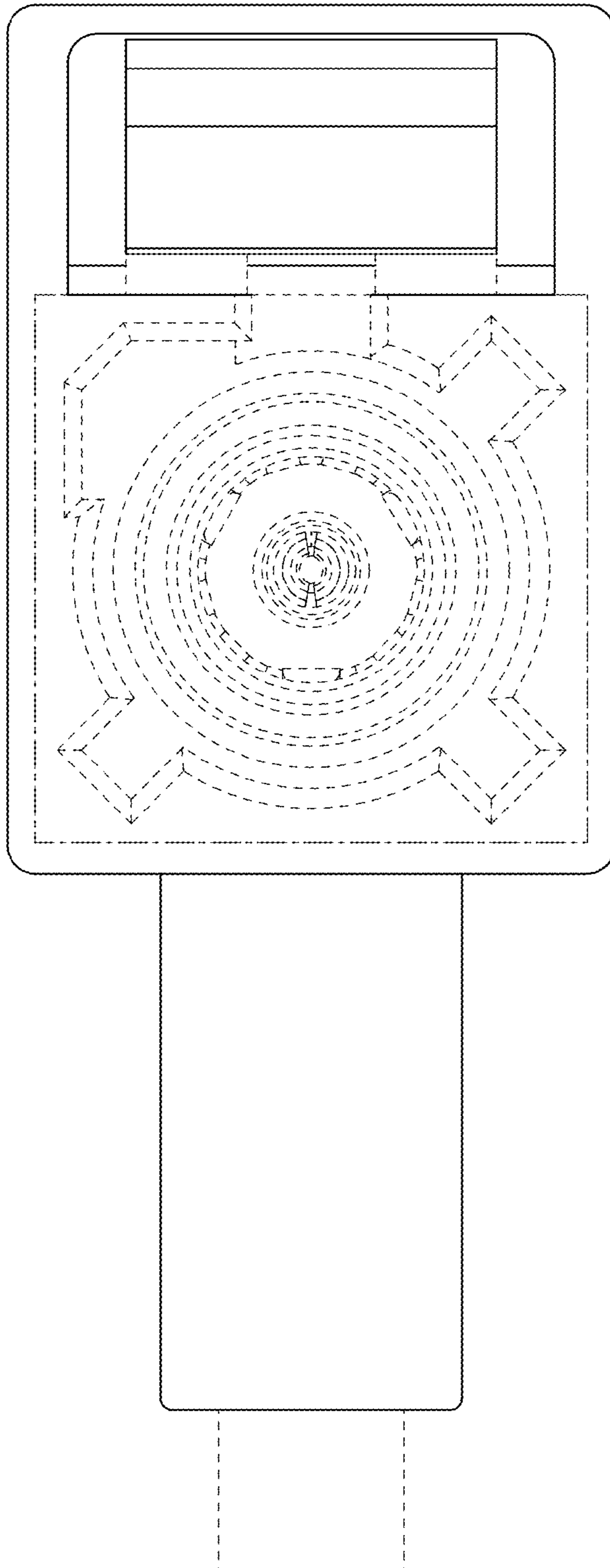


Fig. 4

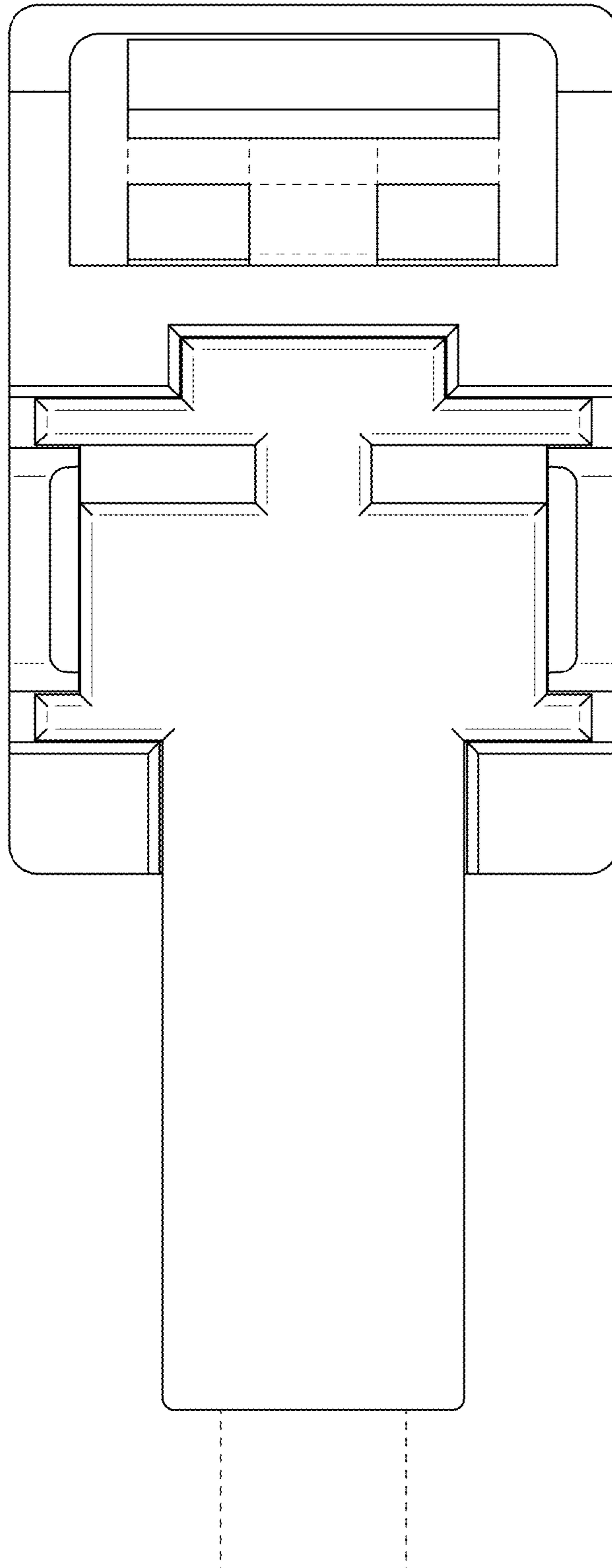


Fig.5

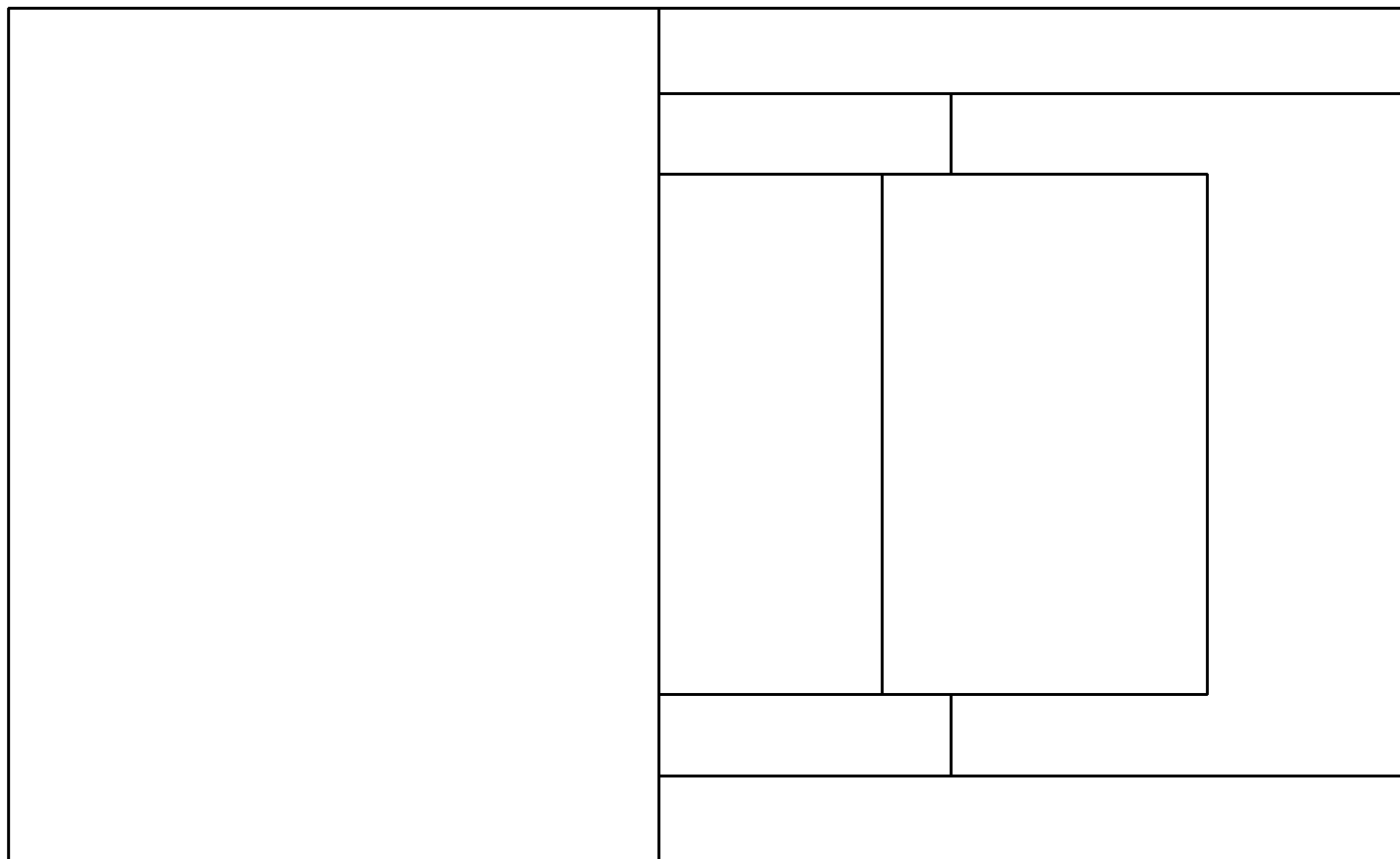


Fig.6

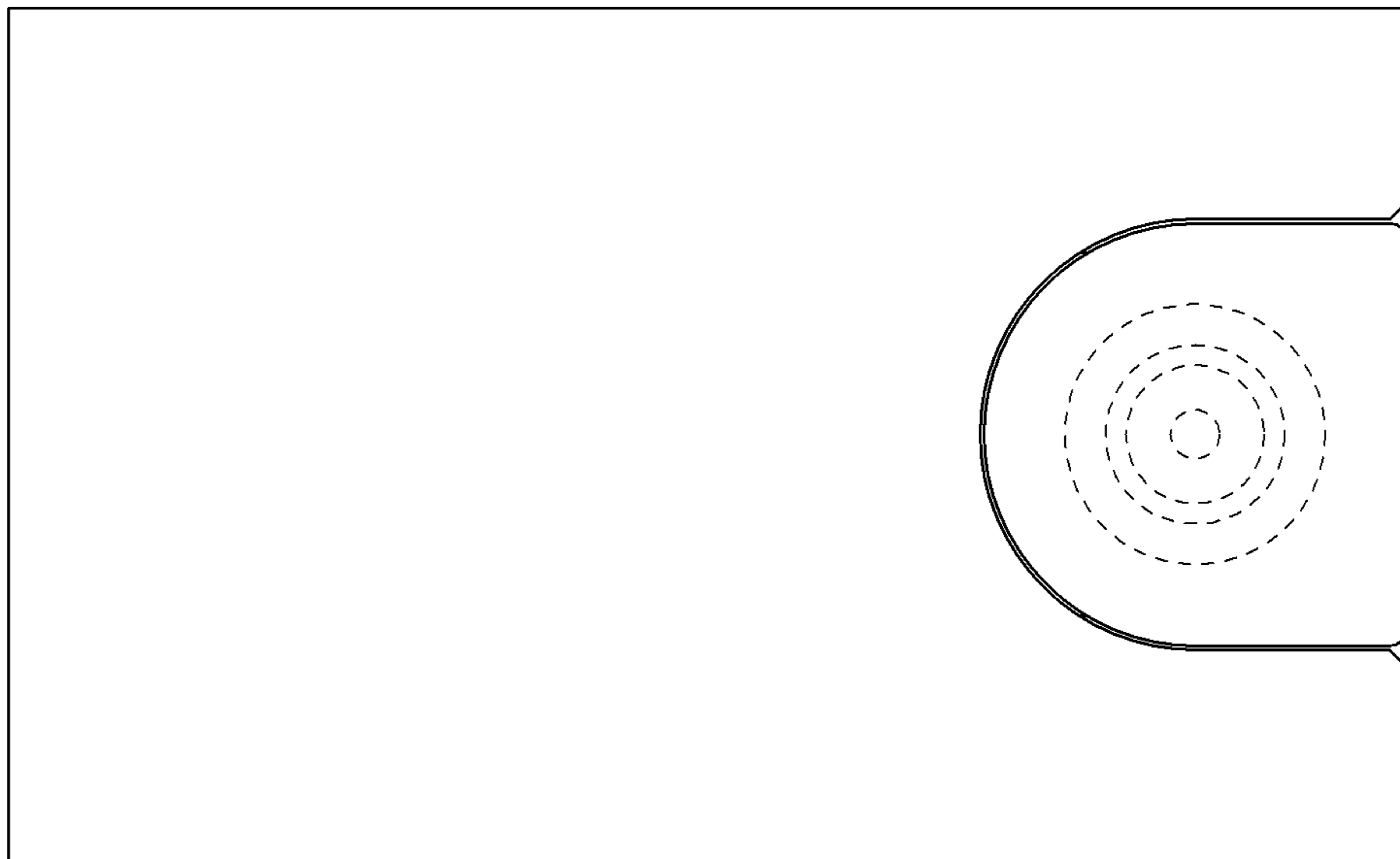


Fig.7

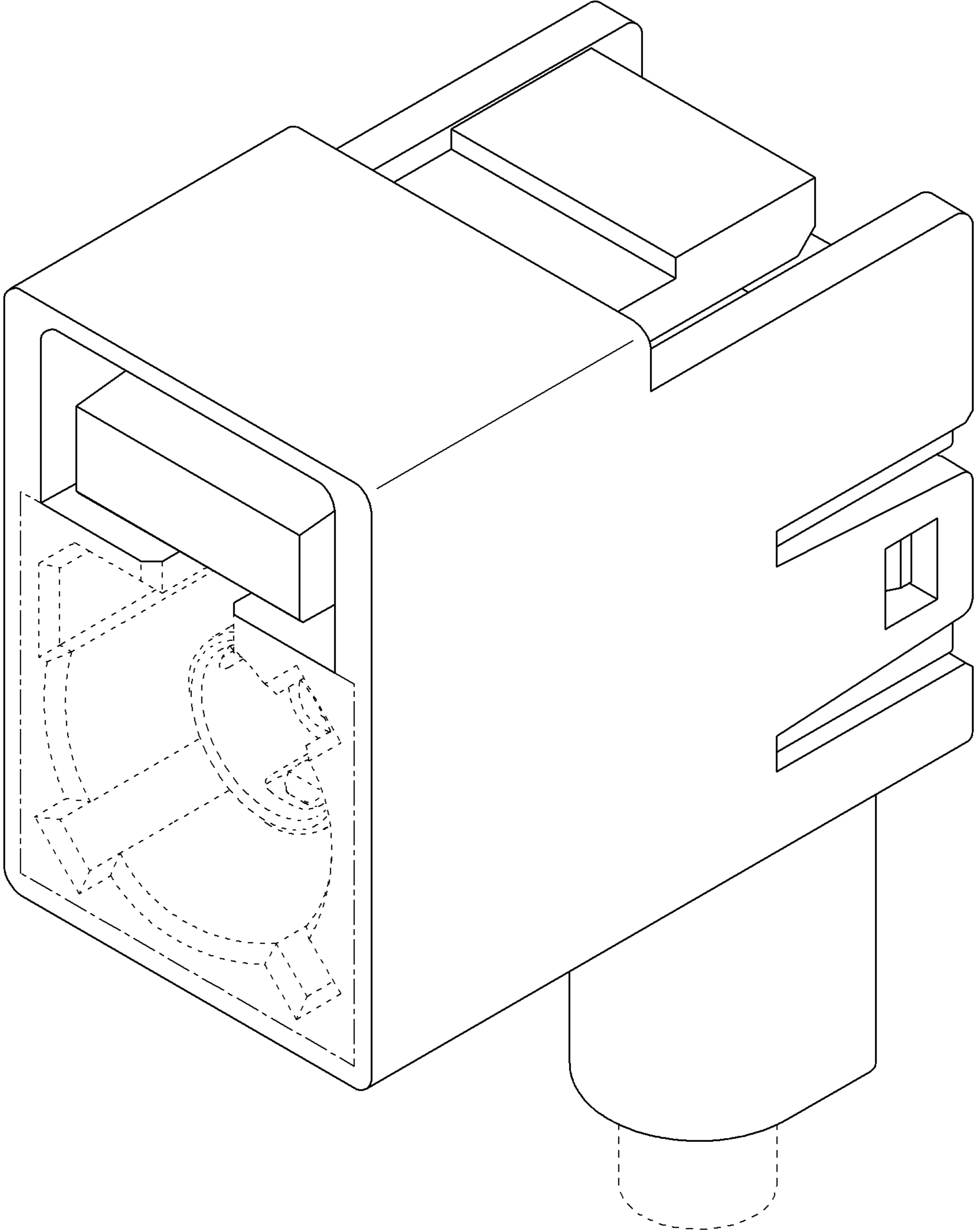


Fig.8

