



US00D873217S

(12) **United States Design Patent**  
**Zhang**

(10) **Patent No.:** **US D873,217 S**  
(45) **Date of Patent:** **\*\* Jan. 21, 2020**

(54) **CHARGING CASE**

(71) Applicant: **Anker Innovations Technology Co., Ltd.**, Changsha (CN)

(72) Inventor: **Chenyu Zhang**, Changsha (CN)

(73) Assignee: **Anker Innovations Technology Co., Ltd.**, Changsha (CN)

(\*\*) Term: **15 Years**

(21) Appl. No.: **29/674,880**

(22) Filed: **Dec. 27, 2018**

(51) **LOC (12) Cl.** ..... **13-02**

(52) **U.S. Cl.**  
USPC ..... **D13/108; D3/294**

(58) **Field of Classification Search**  
USPC ..... D3/201, 208, 212, 271.1, 273, 294, 218,  
D3/215, 269, 270, 302; D9/711, 455;  
D14/217, 221, 223, 496; D13/118, 108  
CPC ..... A45C 13/002; A45C 2011/001; H04R  
1/1025  
See application file for complete search history.

(56) **References Cited**

**U.S. PATENT DOCUMENTS**

D586,557 S *	2/2009	Jalet	.....	D3/294
D604,501 S *	11/2009	Lee	.....	D3/201
D691,372 S *	10/2013	Chun	.....	D3/294
D738,110 S *	9/2015	Jiang	.....	D3/294
D772,572 S *	11/2016	Palmborg	.....	D3/201
D806,648 S *	1/2018	Beedham	.....	D13/107
D816,322 S *	5/2018	Choe	.....	D3/201
D817,640 S *	5/2018	Dang	.....	D3/294
D822,374 S *	7/2018	Hung	.....	D3/201
D826,152 S *	8/2018	Christiansen	.....	D13/108
D838,480 S *	1/2019	Son	.....	D3/294
D839,583 S *	2/2019	Cao	.....	D3/201

D841,581 S *	2/2019	Bonahoom	.....	D13/108
D846,264 S *	4/2019	Wu	.....	D3/201
D851,913 S *	6/2019	Yu	.....	D3/201
2019/0069066 A1 *	2/2019	Song	.....	H01F 7/02

**OTHER PUBLICATIONS**

Amazon, "Zolo Liberty Total-Wireless Earphones...", First on sale Sep. 5, 2017. (<https://www.amazon.com/dp/B075JBP2P7/>) (Year: 2017).\*

Amazon, "Anker Wireless Earbuds, Soundcore Liberty Lite Bluetooth . . .", First reviewed Jan. 17, 2019. (<https://www.amazon.com/Anker-Soundcore-Sweatproof-Headphones-Graphene-Enhanced/dp/B07JMLGMNL/>) (Year: 2019).\*

Amazon, "True Wireless Earbuds Bluetooth 5.0 Headphones,MEBUYZ Sports . . .", First on sale May 2, 2019. (<https://www.amazon.com/dp/B07QWBZVPJ/>) (Year: 2019).\*

\* cited by examiner

*Primary Examiner* — April Rivas

(57) **CLAIM**

The ornamental design for a charging case, as shown and described.

**DESCRIPTION**

FIG. 1 is a perspective view of a charging case in accordance with the present invention;  
FIG. 2 is another perspective view of a charging case in an open position thereof;  
FIG. 3 is a front view thereof;  
FIG. 4 is a rear view thereof;  
FIG. 5 is a left view thereof;  
FIG. 6 is a right view thereof;  
FIG. 7 is a top view thereof; and,  
FIG. 8 is a bottom view thereof.

**1 Claim, 8 Drawing Sheets**

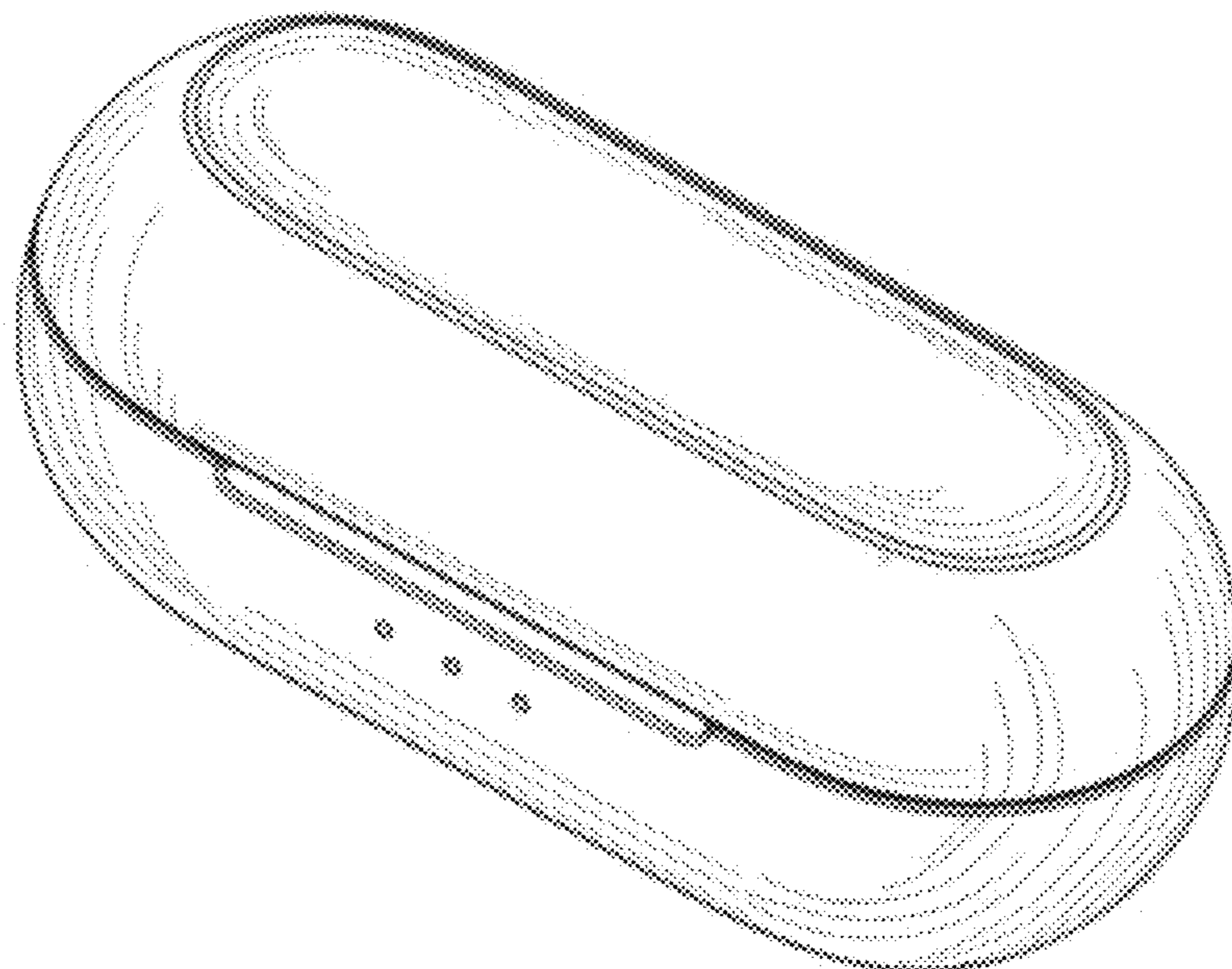


FIG. 1

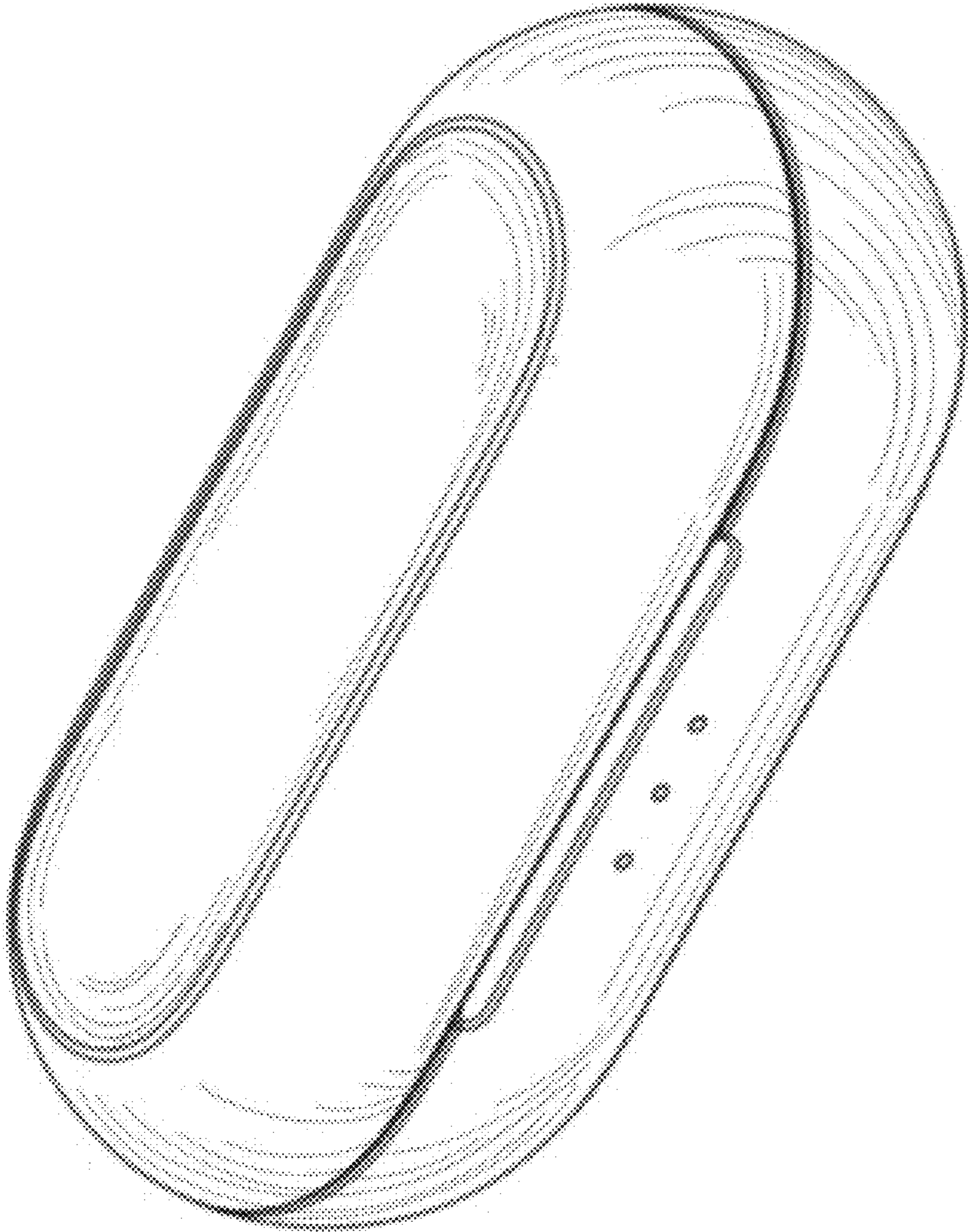


FIG. 2

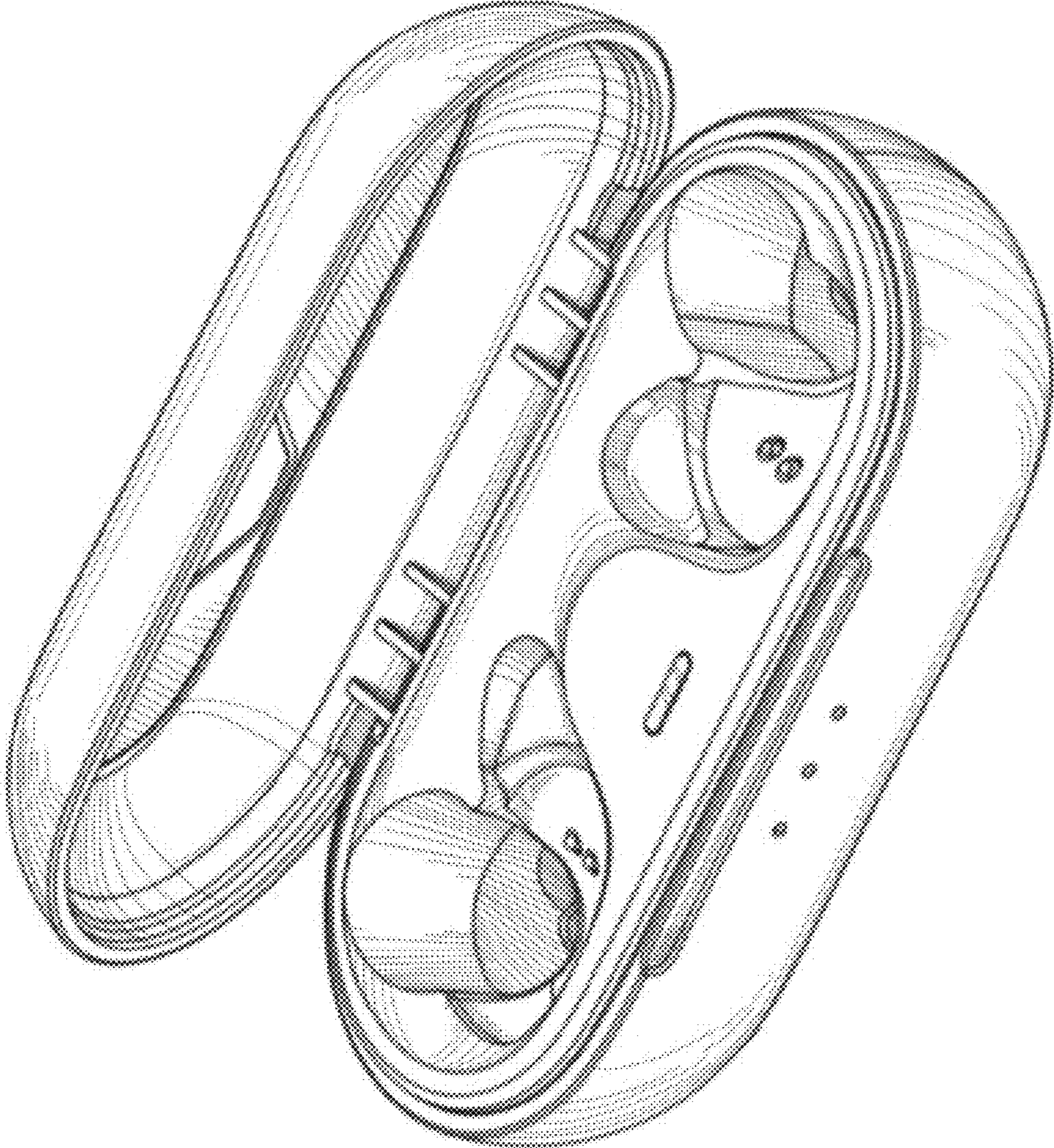


FIG. 3

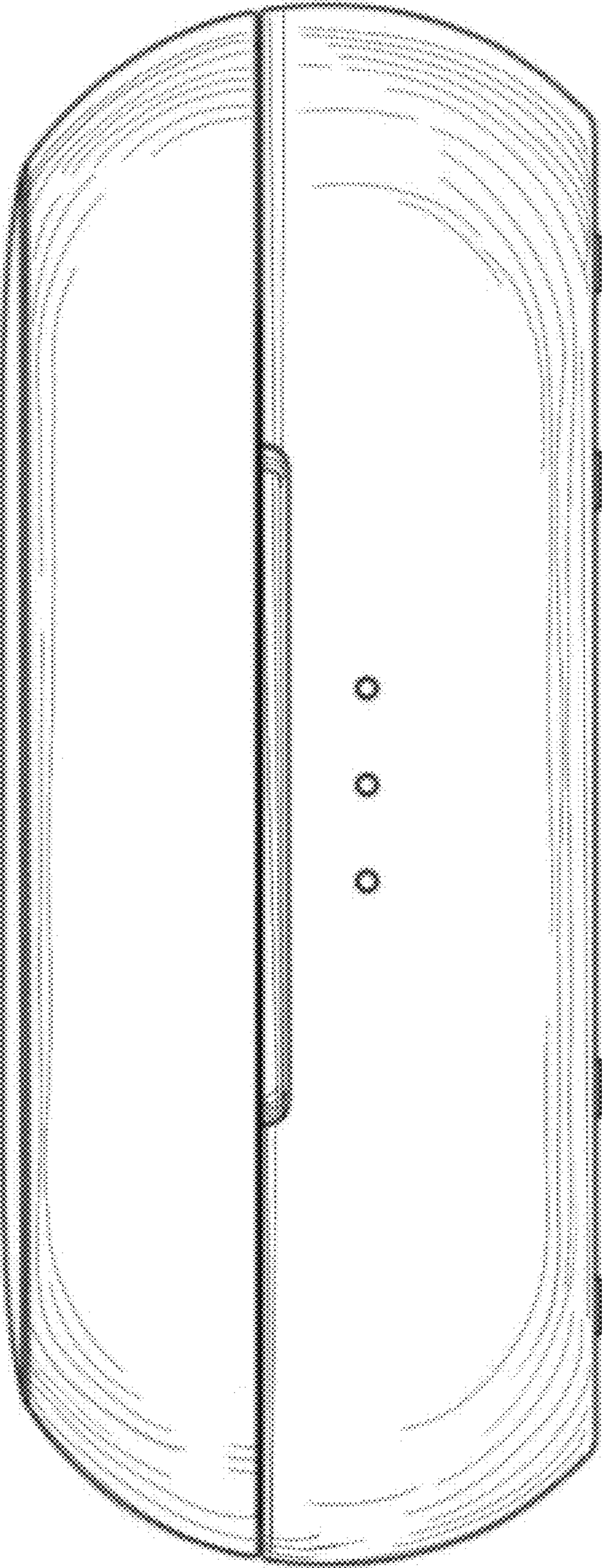


FIG. 4

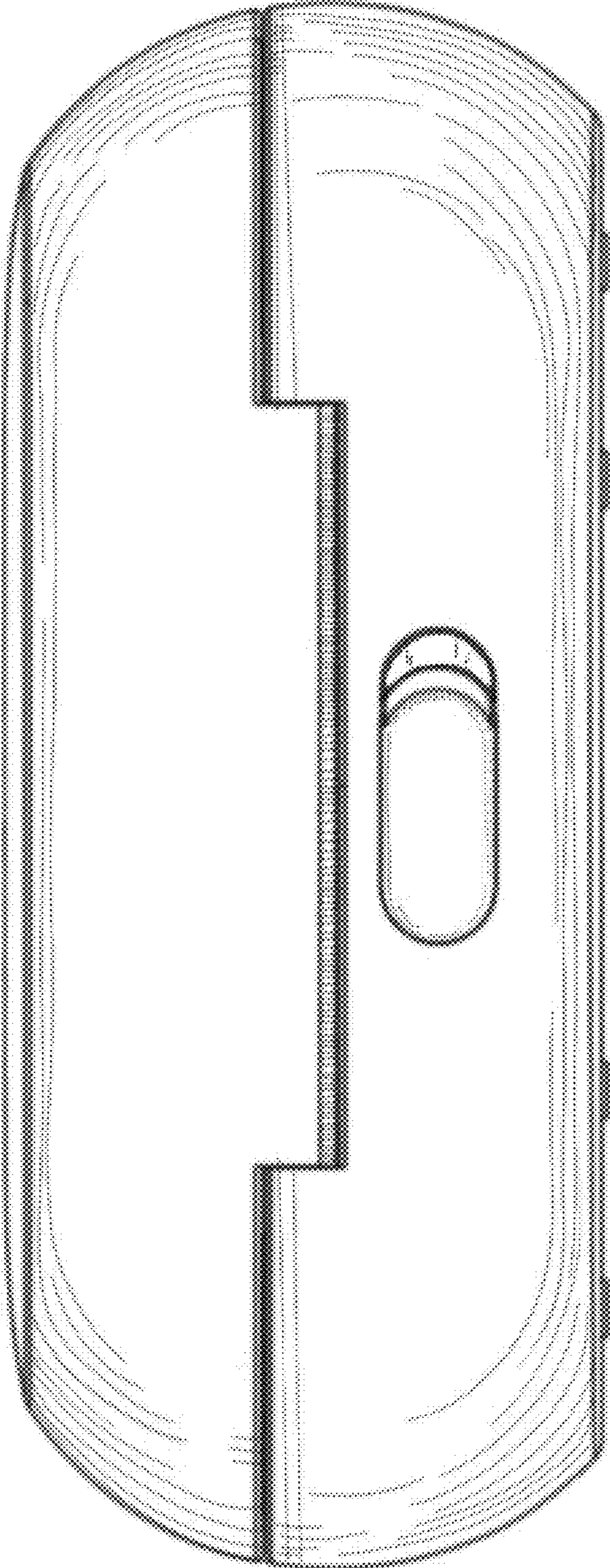


FIG. 5

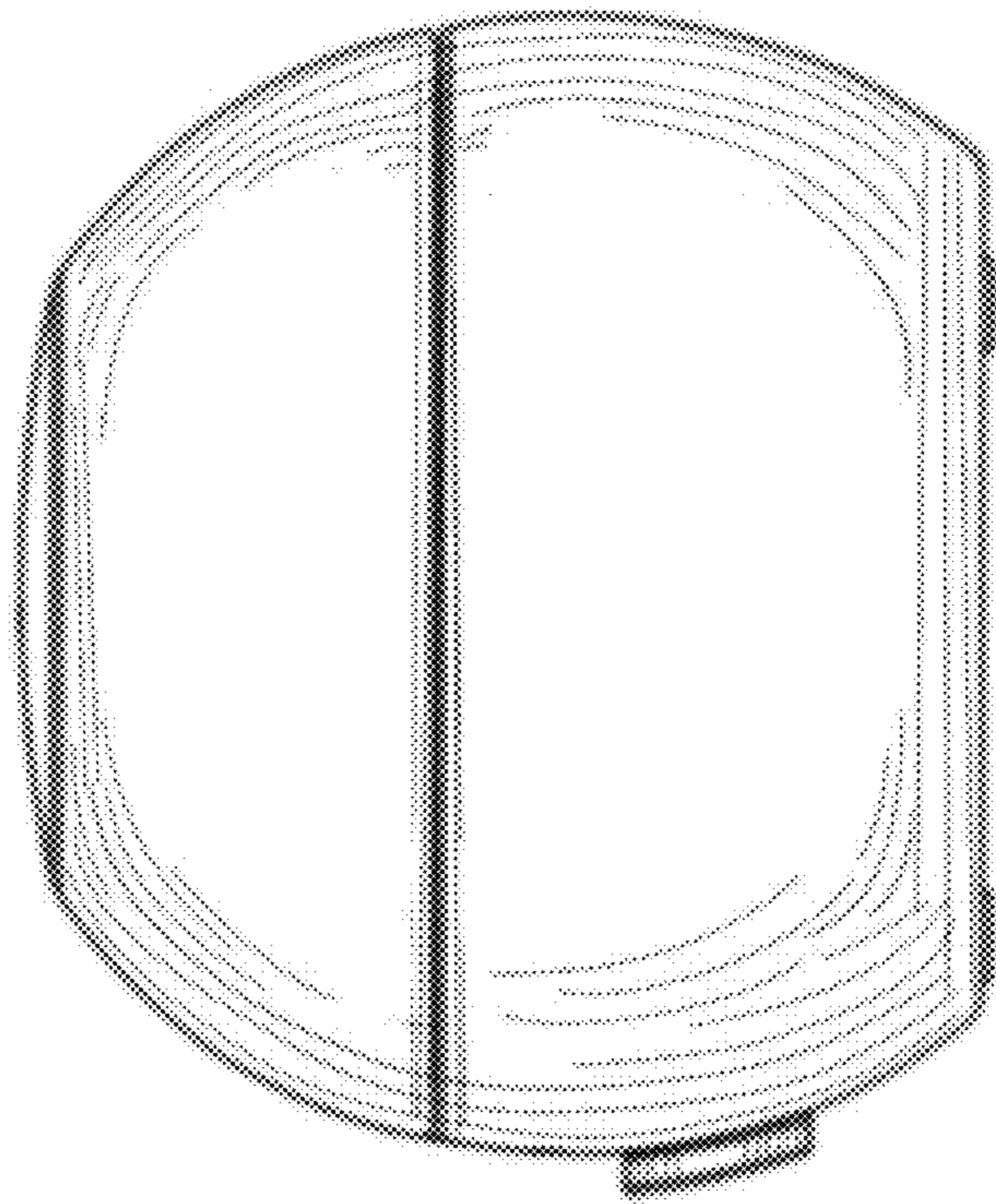


FIG. 6

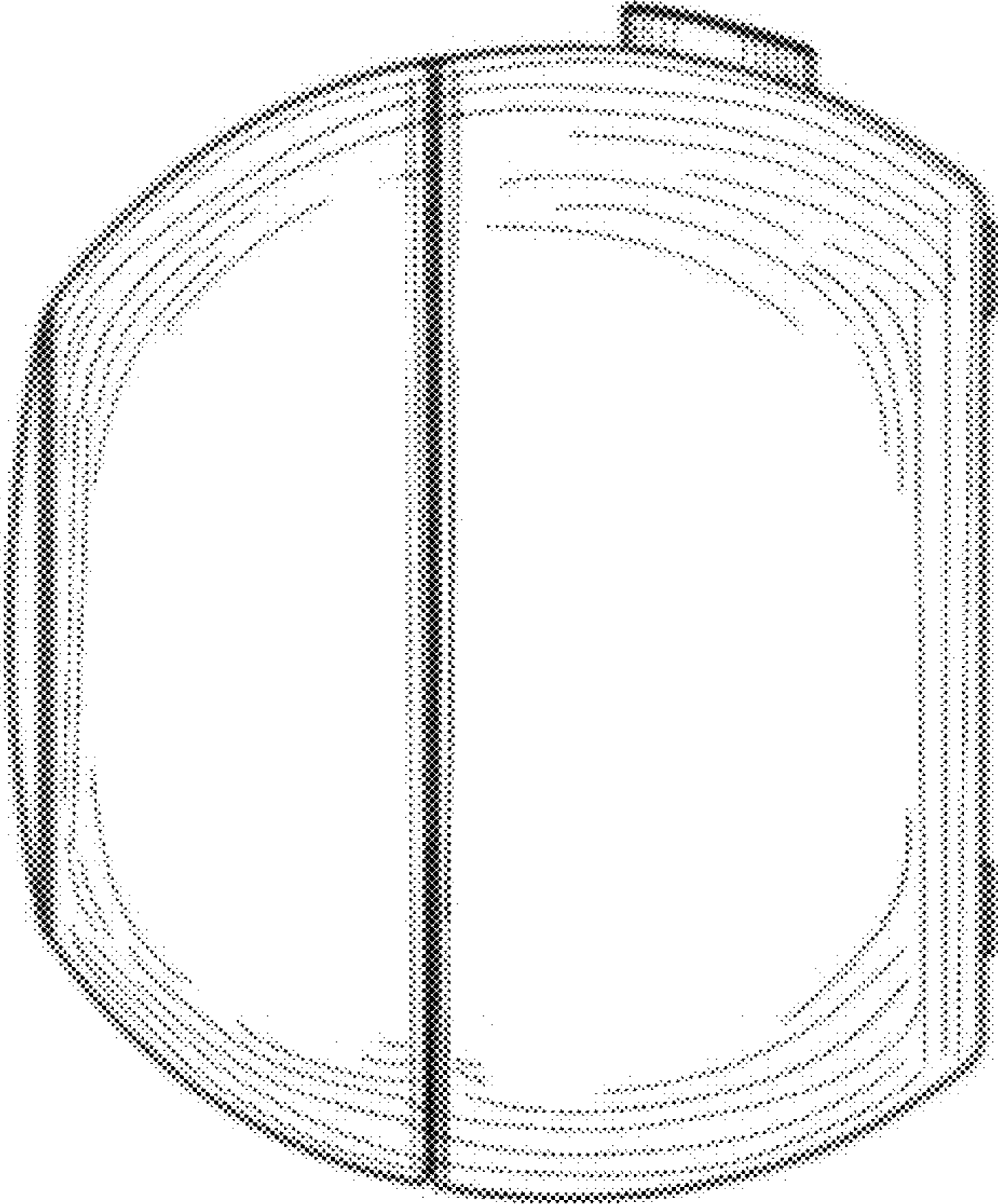


FIG. 7

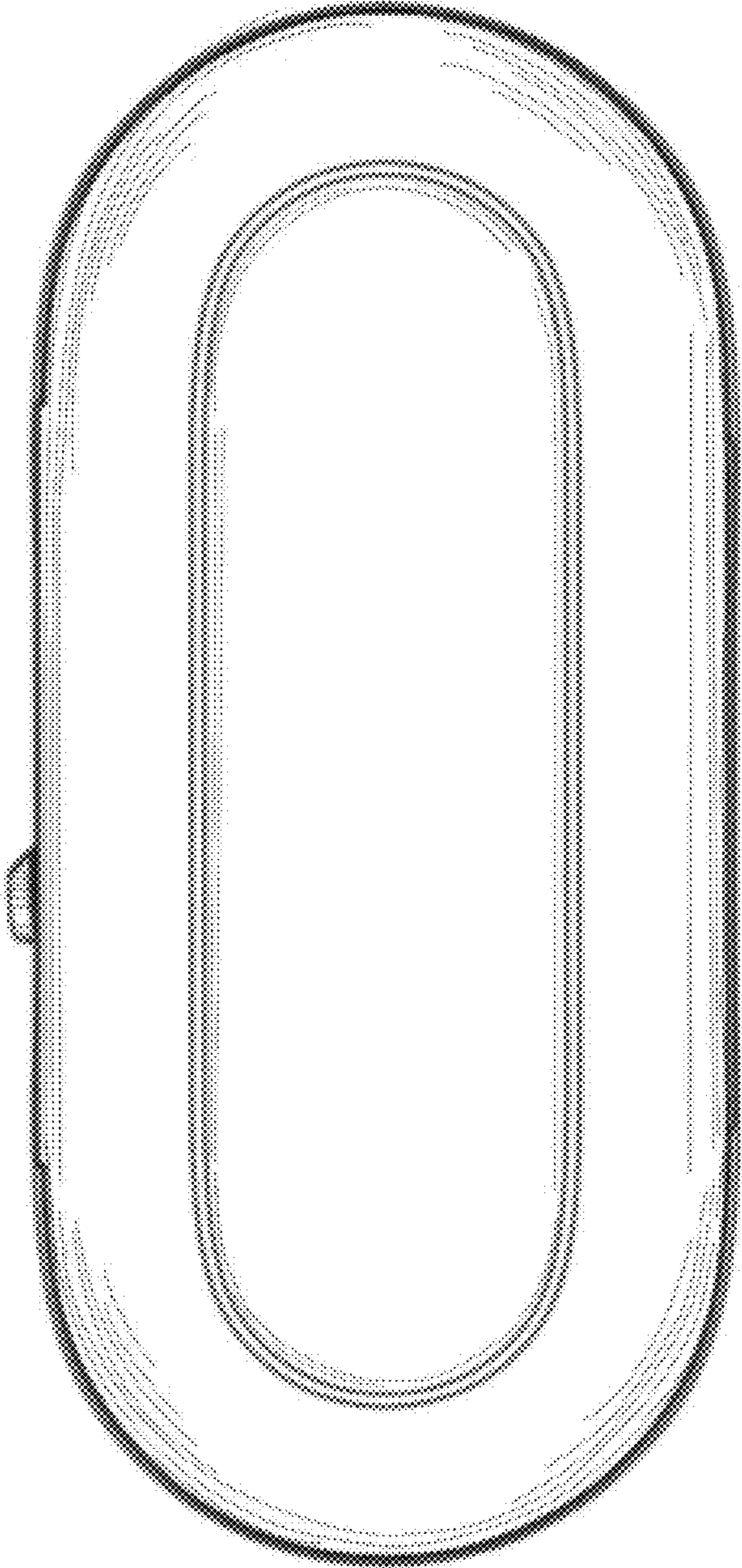




FIG. 8

