



US00D873216S

(12) **United States Design Patent**
Zhang

(10) **Patent No.:** **US D873,216 S**
(45) **Date of Patent:** **** Jan. 21, 2020**

(54) **CHARGING HOLDER FOR MOBILE PHONE**

(71) Applicant: **Shenzhen Famulei Electronic Co., Ltd.**, Shenzhen (CN)

(72) Inventor: **Yun Zhang**, Shenzhen (CN)

(73) Assignee: **Shenzhen Famulei Electronic Co., Ltd.**, Shenzhen (CN)

(**) Term: **15 Years**

(21) Appl. No.: **29/659,642**

(22) Filed: **Aug. 10, 2018**

(51) **LOC (12) Cl.** **13-02**

(52) **U.S. Cl.**
USPC **D13/108**

(58) **Field of Classification Search**
USPC D13/107–110, 118–119, 184; D14/251, D14/253, 432, 434
CPC Y02E 60/12; Y02T 90/14; Y02T 90/122; Y02T 90/128; Y02T 90/163; H02J 7/025; H02J 7/0042; H02J 7/0044; H02J 7/0045; H02J 7/0003; H01F 38/14; H01R 13/6675; H01M 2/1022; H01M 2/1055; H01M 10/44; H01M 10/46; H01M 10/425; B60L 11/182
See application file for complete search history.

(56) **References Cited**

U.S. PATENT DOCUMENTS

D762,650 S * 8/2016 Dang D14/434
D813,805 S * 3/2018 Zhong D13/108

D814,413 S * 4/2018 Zhong D13/108
D826,851 S * 8/2018 Wang D13/108
D839,190 S * 1/2019 Xie D13/108
D852,134 S * 6/2019 Mei D13/108
D852,135 S * 6/2019 Mei D13/108
D857,626 S * 8/2019 Zhang D13/108
D858,437 S * 9/2019 Lu D13/108

* cited by examiner

Primary Examiner — Rosemary K Tarcza
(74) *Attorney, Agent, or Firm* — ScienBiziP, P.C.

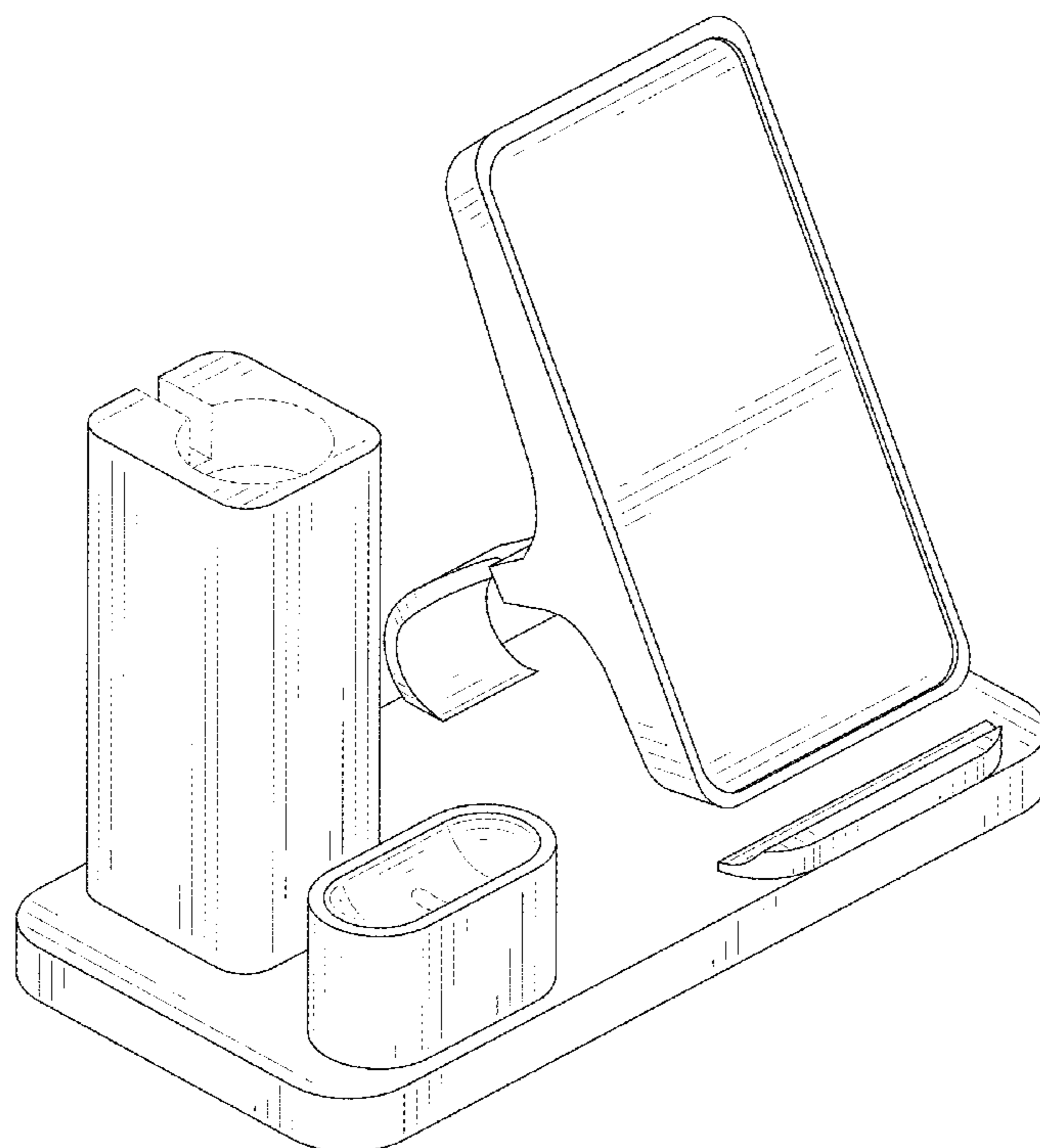
(57) **CLAIM**

The ornamental design for a charging holder for mobile phone, as shown and described.

DESCRIPTION

FIG. 1 is a first perspective view of a charging holder for mobile phone, showing the claimed new design; FIG. 2 is a second perspective view thereof; FIG. 3 is a front elevation view thereof; FIG. 4 is a rear elevation view thereof; FIG. 5 is a left side elevation view thereof; FIG. 6 is a right side elevation view thereof; FIG. 7 is a top plan view thereof; and, FIG. 8 is a bottom plan view thereof. The broken lines in the drawings are for the purpose of illustrating portions of the charging holder for mobile phone that form no part of the claimed design.

1 Claim, 8 Drawing Sheets



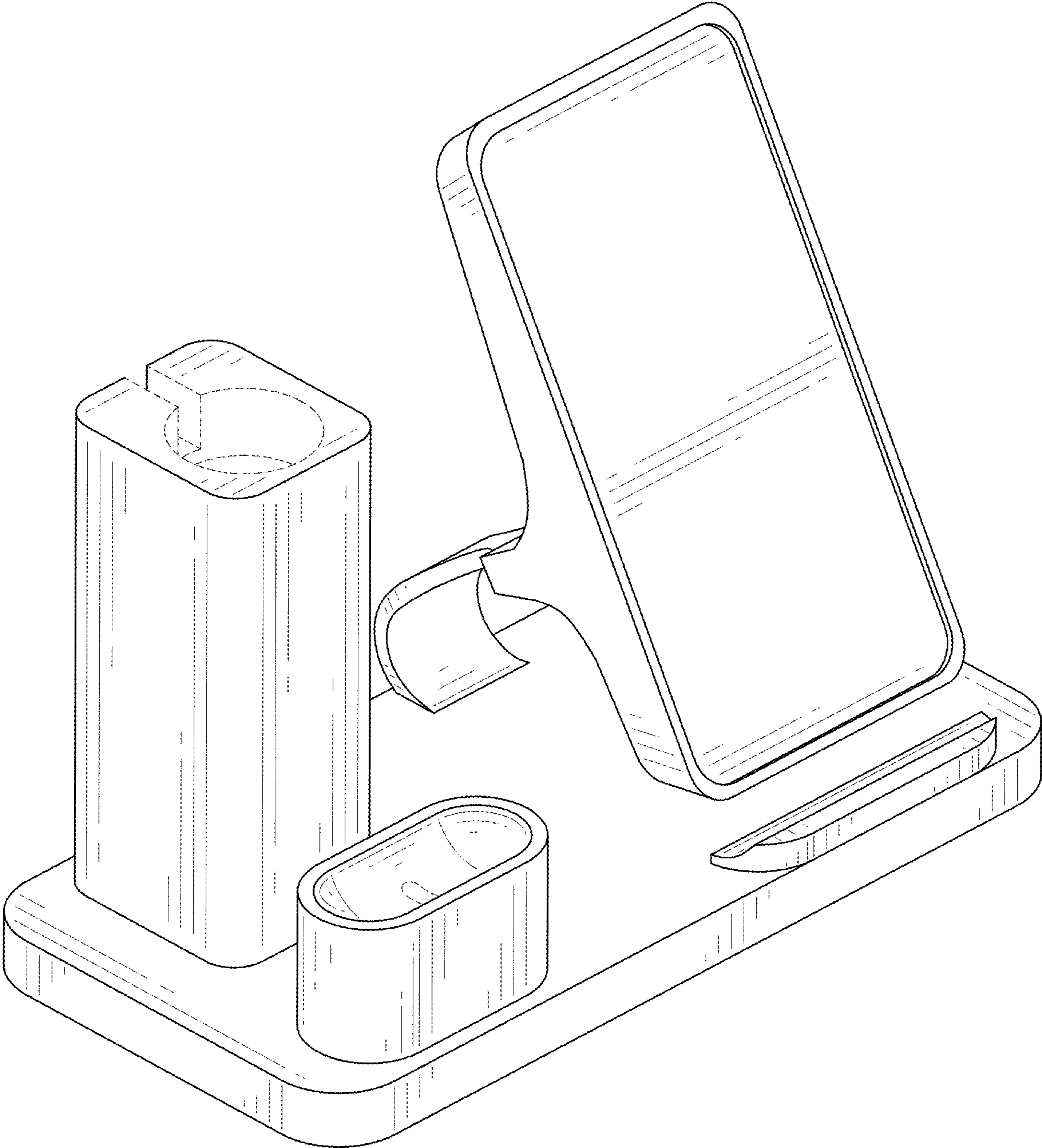


FIG. 1

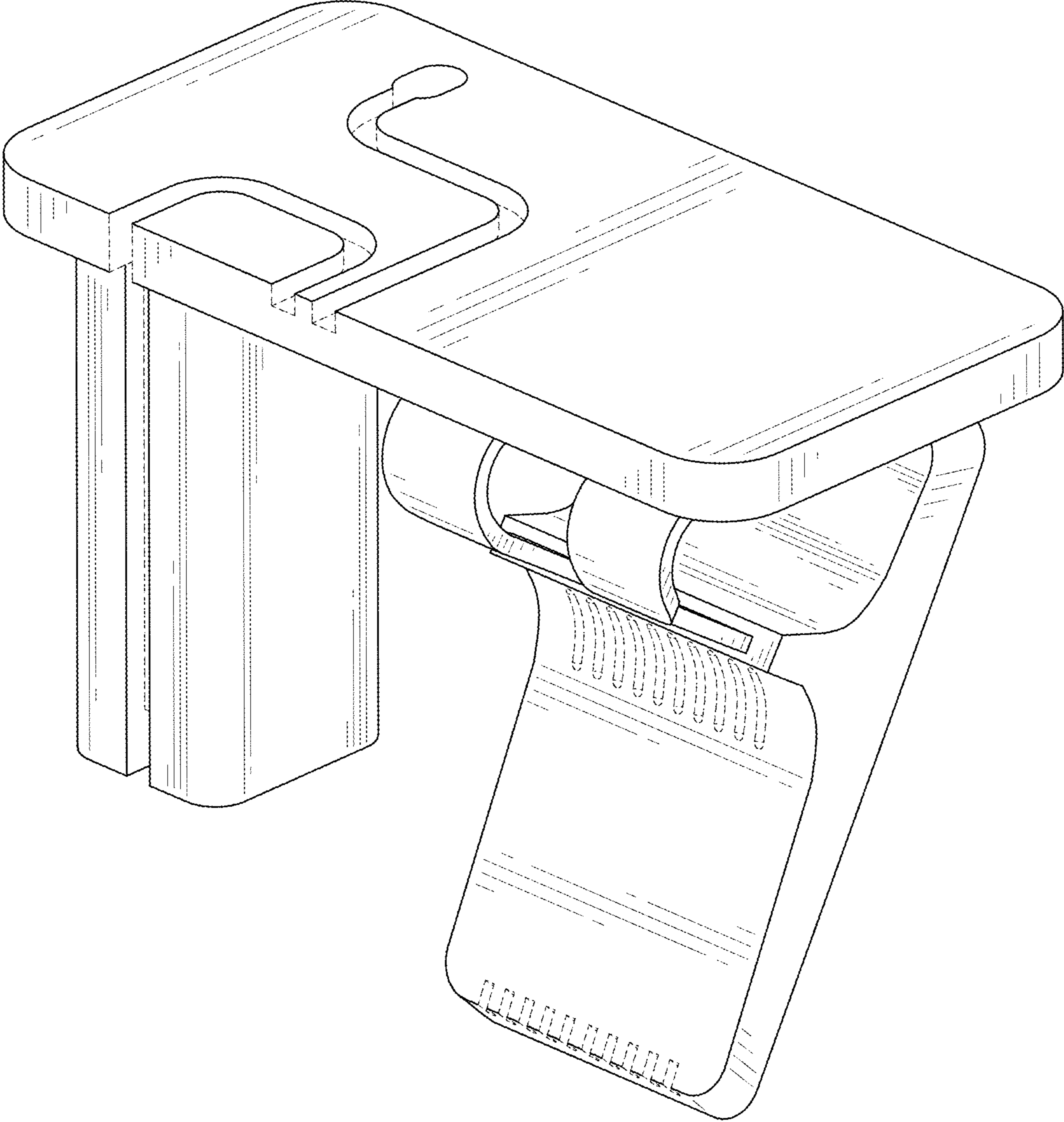


FIG. 2

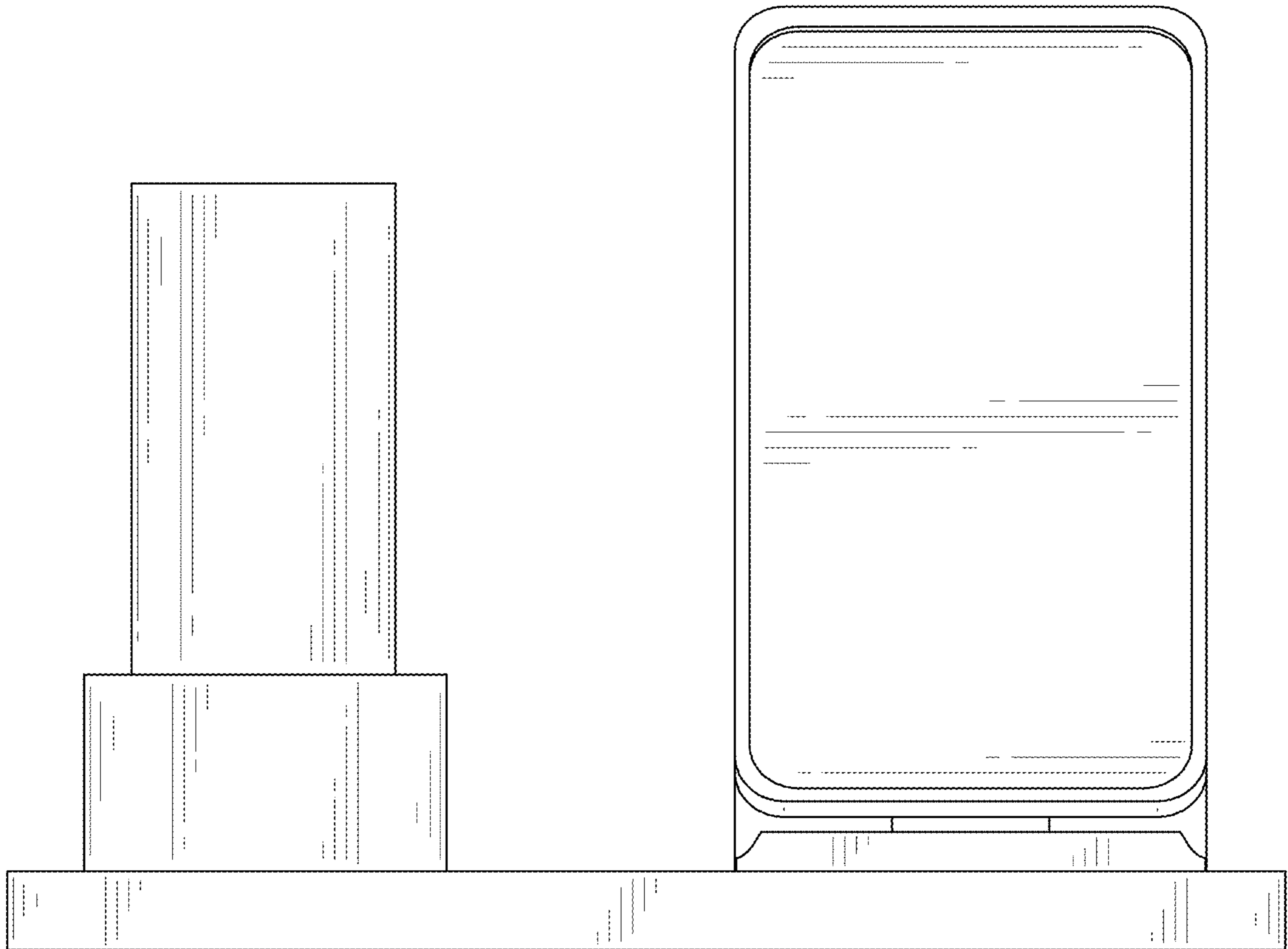


FIG. 3

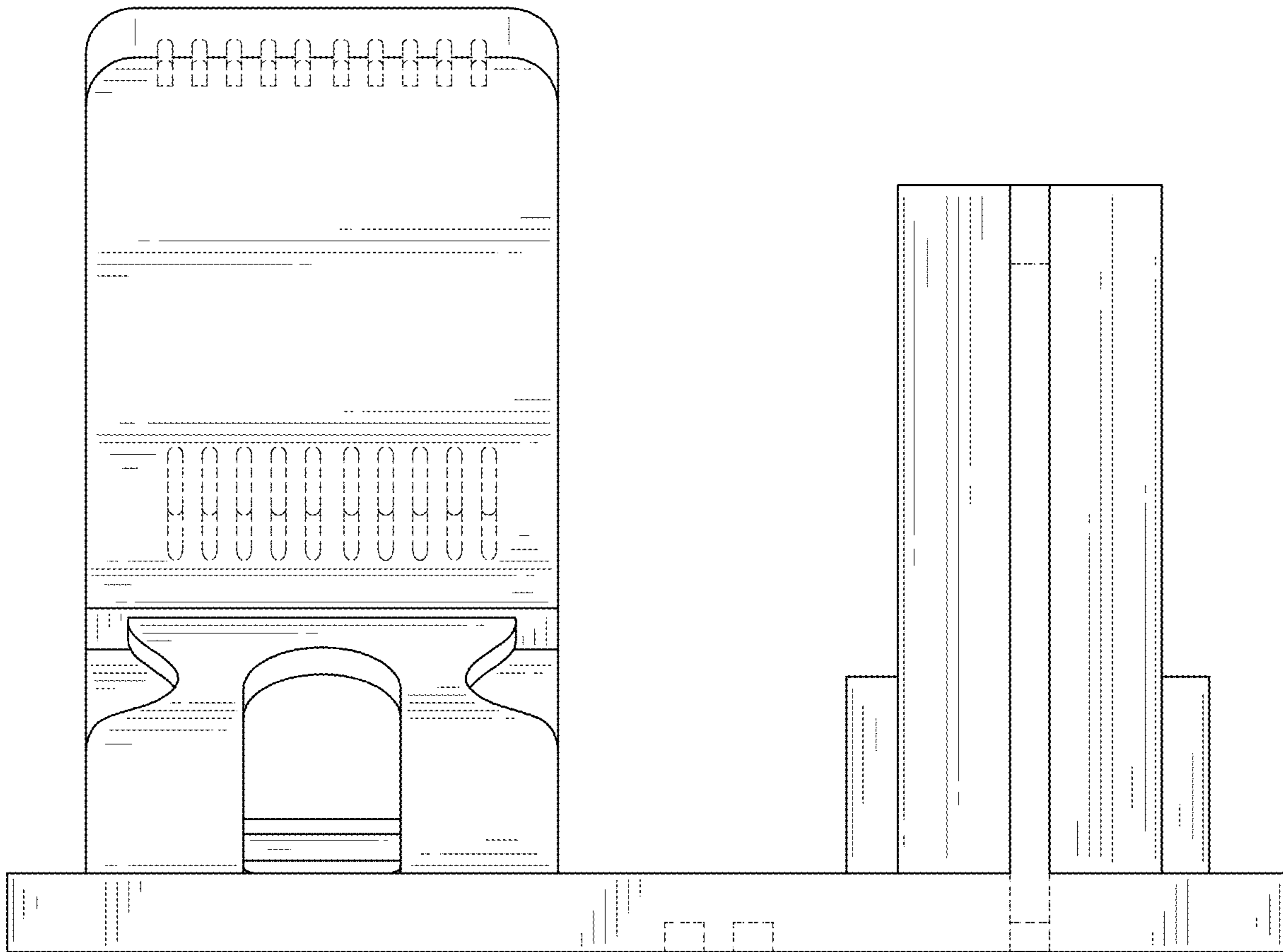


FIG. 4

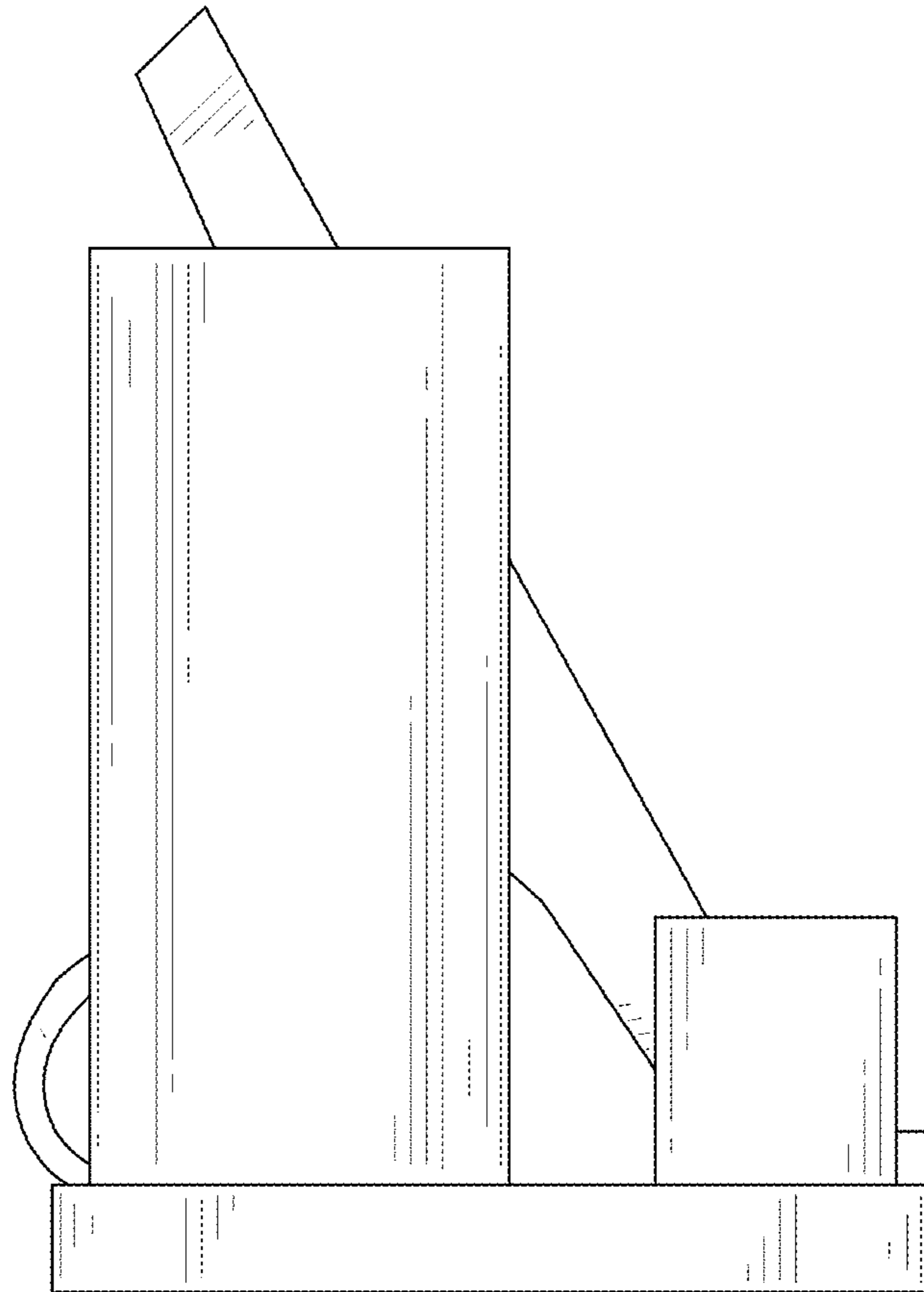


FIG. 5

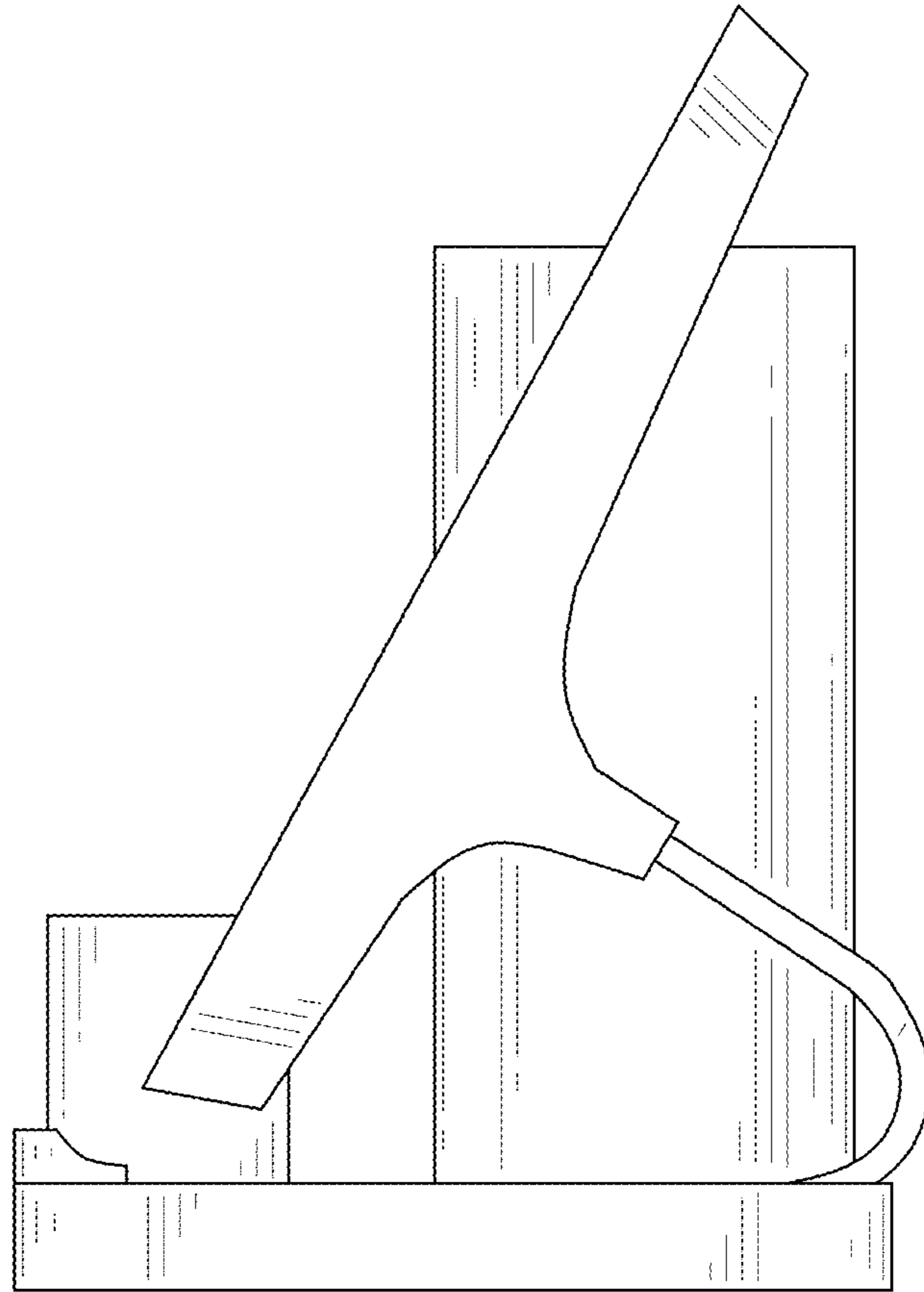


FIG. 6

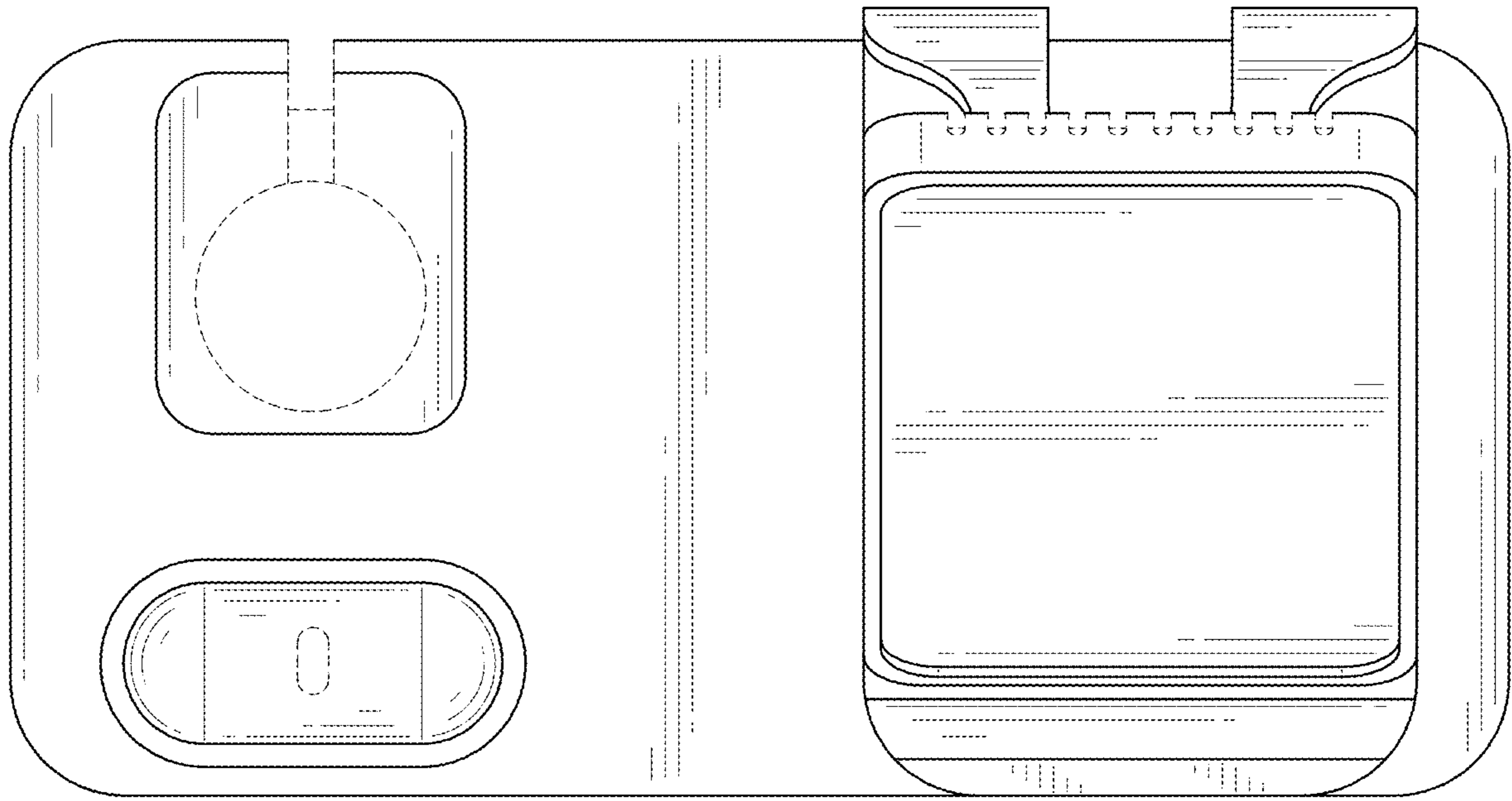


FIG. 7

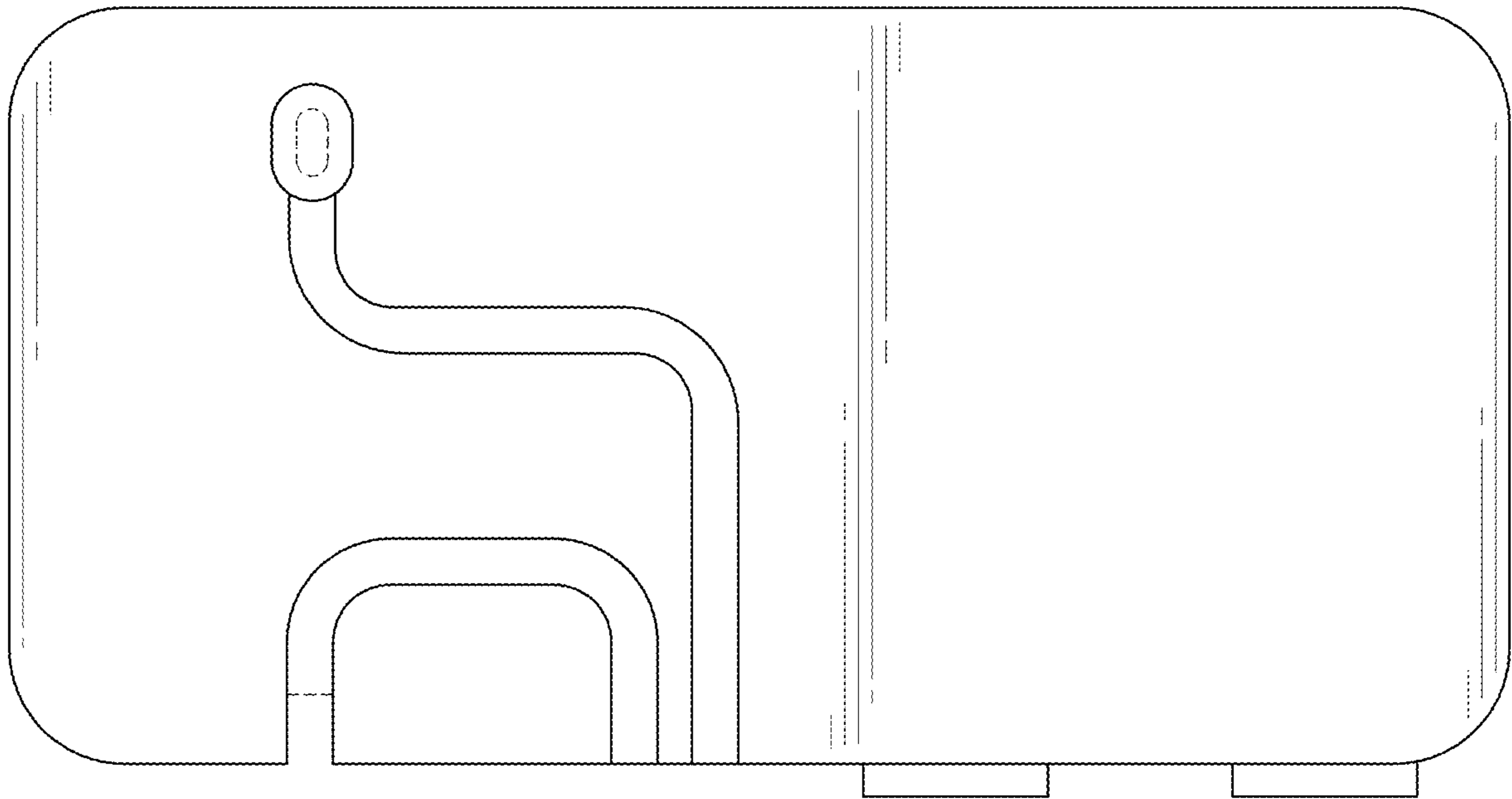


FIG. 8