



US00D873205S

(12) **United States Design Patent**
MacNeil et al.

(10) **Patent No.:** **US D873,205 S**
(45) **Date of Patent:** **** Jan. 21, 2020**

(54) **VEHICLE CUP HOLDER CELL PHONE MOUNT**

(71) Applicant: **MACNEIL IP LLC**, Bolingbrook, IL (US)

(72) Inventors: **David F. MacNeil**, Fort Lauderdale, FL (US); **David S. Iverson**, Oak Brook, IL (US)

(73) Assignee: **MACNEIL IP LLC**, Bolingbrook, IL (US)

(**) Term: **15 Years**

(21) Appl. No.: **29/668,090**

(22) Filed: **Oct. 26, 2018**

(51) **LOC (12) Cl.** **12-16**

(52) **U.S. Cl.**
USPC **D12/415**

(58) **Field of Classification Search**
USPC D12/415-420, 400, 191, 195, 106, 345, D12/96, 99, 223, 114; D14/253, 251,
(Continued)

(56) **References Cited**

U.S. PATENT DOCUMENTS

D247,548 S * 3/1978 Crary D7/540
D289,898 S * 5/1987 Miller 379/454
(Continued)

FOREIGN PATENT DOCUMENTS

CN 106427807 * 2/2017 B60R 11/02

OTHER PUBLICATIONS

Macally Cell Phone Cup Holder for Car Mount, Amazon.com, Date First Available: Jun. 29, 2017, [online], [site visited Oct. 24, 2019]. <URL: <https://www.amazon.com/Macally-Samsung-Motorola-Smartphones-MCUP/dp/B002JTWRN8>> (Year: 2017).*

(Continued)

Primary Examiner — T Chase Nelson
Assistant Examiner — Jonathan J. Han
(74) *Attorney, Agent, or Firm* — Perkins IP Law Group LLC; Jefferson Perkins

(57) **CLAIM**

We claim the ornamental design for a vehicle cup holder cell phone mount, as shown and described.

DESCRIPTION

FIG. 1 is a perspective view of a first configuration of our design in which two of four shells of our design have been assembled to a base of our design, a cell phone and power cord being shown in broken line as environmental structure; FIG. 2 is a top perspective view of second configuration of our design, in which jaws of a cell phone mounting bracket of our design are in a fully closed position, and in which no shells of our design have been assembled to a base of our design;

FIG. 3 is a front view of our design as configured in FIG. 2; FIG. 4 is a right side view of our design as configured in FIG. 2;

FIG. 5 is a left side view of our design as configured in FIG. 2;

FIG. 6 is a rear view of our design as configured in FIG. 2; FIG. 7 is a top view of our design as configured in FIG. 2; FIG. 8 is a bottom view of our design as configured in FIG. 2;

FIG. 9 is a front view of a third configuration of our design, in which no shells of our design have been assembled to the base of our design, and in which the jaws of the mounting bracket are in a fully open position;

FIG. 10 is a top perspective view of our design, in a fourth configuration in which four shells of our design have been assembled to the base of our design, and in which the jaws of the mounting bracket are in a fully closed position;

FIG. 11 is a front view of our design, as configured in FIG. 10;

FIG. 12 is a top view of our design, as configured in FIG. 10; FIG. 13 is a bottom view of our design, as configured in FIG. 10;

(Continued)

(Continued)

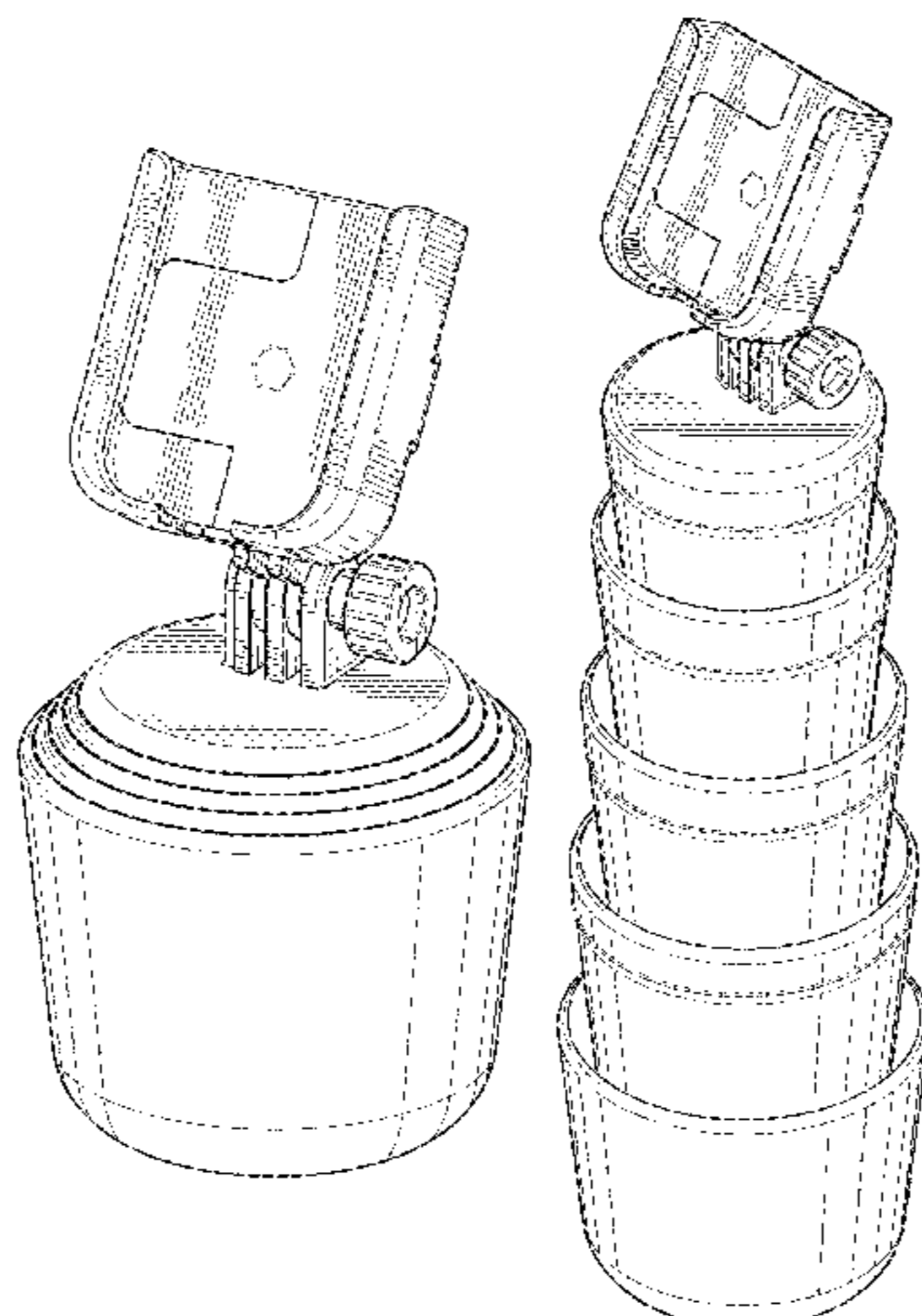


FIG. 14 is a top perspective exploded view of our design as configured in FIG. 10;
 FIG. 15 is a bottom perspective exploded view of our design as configured in FIG. 10;
 FIG. 16 is an axial sectional view of our design as configured in FIG. 10, taken in a plane from the front of the design to the rear of the design;
 FIG. 17 is a bottom perspective view of a first shell forming a portion of our design;
 FIG. 18 is a side view of the shell shown in FIG. 17;
 FIG. 19 is a bottom view of the shell shown in FIG. 17;
 FIG. 20 is a bottom perspective view of a second shell forming a portion of our design;
 FIG. 21 is a side view of the shell shown in FIG. 20;
 FIG. 22 is a bottom view of the shell shown in FIG. 20;
 FIG. 23 is a bottom perspective view of a third shell forming a portion of our design;
 FIG. 24 is a side view of the shell shown in FIG. 23; and,
 FIG. 25 is a bottom view of the shell shown in FIG. 23.
 The interiors of the shells are unadorned and form no part of the claimed design. The broken lines shown in the drawings illustrate environment and portions of the vehicle cup holder cell phone mount that form no part of the claimed design.

1 Claim, 16 Drawing Sheets

(58) **Field of Classification Search**

USPC D14/252, 447, 451, 452, 440, 434, 458, D14/432, 439, 457, 460, 238.1, 140, 142, D14/149, 217, 148, 140.8, 140.11, 209.1, D14/151, 140.9; D13/107, 108; D7/523, D7/529-536, 507-512, 300, 300.1, 591, D7/608, 629, 630, 500-502
 CPC B60R 7/06; B60R 11/02; B60R 2011/005; B60R 2011/0012; B60R 2011/0008; B60R 11/0241; B60R 11/0258; B60R 11/0252; B60R 2011/0294; A61L 9/12; A61L 9/04; F16M 11/00; F16M 11/04; F16M 11/041; F16M 11/02; F16M 11/06; H04M 1/02; A47F 7/022; B62J 11/00
 See application file for complete search history.

(56) **References Cited**

U.S. PATENT DOCUMENTS

D309,307 S * 7/1990 Sigurdson 381/86
 D402,666 S * 12/1998 Golder D14/253
 D407,408 S * 3/1999 Hoff D14/253
 6,062,518 A * 5/2000 Etue B60R 11/0241
 224/542
 6,246,766 B1 * 6/2001 Walsh B60R 11/0241
 379/426
 D451,504 S * 12/2001 Edwards D14/253
 D452,236 S * 12/2001 Kohli D14/243
 D475,044 S * 5/2003 Kohli D14/243
 7,099,467 B1 * 8/2006 Rohrbach G09B 15/00
 379/441
 7,140,586 B2 * 11/2006 Seil B60R 11/00
 248/311.2
 D558,769 S * 1/2008 Krieger D13/108

D625,715 S * 10/2010 Adams, II D14/253
 D654,119 S * 2/2012 Lin D14/434
 D655,282 S * 3/2012 Richter D14/253
 D705,211 S * 5/2014 Huang D14/253
 D709,066 S * 7/2014 Byun D14/253
 D718,298 S * 11/2014 Aspinall D14/253
 9,079,545 B2 * 7/2015 Dugan B60R 11/02
 D771,614 S * 11/2016 Chang D14/253
 D777,720 S * 1/2017 Russell D14/253
 D799,469 S * 10/2017 Esses D14/253
 D807,701 S * 1/2018 Bo D7/507
 D817,317 S * 5/2018 Lee D14/253
 9,987,993 B2 * 6/2018 Thorimbert B60R 7/14
 D823,062 S * 7/2018 Goodwin D7/511
 D832,248 S * 10/2018 Sukphist D14/253
 D833,369 S * 11/2018 Lan D12/415
 D835,113 S * 12/2018 Kim D14/447
 D848,412 S * 5/2019 Greve D14/253
 D848,443 S * 5/2019 Yao D14/447
 D859,395 S * 9/2019 Yao D14/253
 2014/0176062 A1 * 6/2014 Jung B60R 11/02
 320/108

OTHER PUBLICATIONS

Celllet PH600 Car Cup Holder Mount, Amazon.com, [online], [site visited Oct. 24, 2019]. <URL: https://www.amazon.com/dp/B006BIQBMQ/ref=psdc_2230642011_t4_B002JTWRN8> (Year: 2019).*

10 Cup Holder Phone Mount Reviews for 2019, HotRate.com, by Joey Randall, Last Updated Jan. 25, 2019, [online], [site visited Oct. 24, 2019]. <URL: <https://www.hotrate.com/electronics/cup-holder-phone-mount/>> (Year: 2019).*

amazon.com, website, image of Belkin Car Cup Holder for Smartphones, downloaded on Jan. 17, 2019.

amazon.com, website, image of Custom Accessories 23384 Heavy Cup Mount Magnetic Phone Holder, downloaded on Jan. 17, 2019.

amazon.com, website, image of Macally Adjustable Automobile Cup Holder Phone Mount, downloaded on Jan. 17, 2019.

amazon.com, website, image of Mediabridge Smartphone Cradle w/Extended Cup Holder Mount, downloaded on Jan. 17, 2019.

amazon.com, website, image of NNDA CO Universal Adjustable Gooseneck Cup Holder Cradle Car Mount for Phone, downloaded on Jan. 17, 2019.

amazon.com, website, image of Sunjoyco Car Cup Holder Mount for Phone Tablet, 2-in-1 Car Cradles Adjustable Gooseneck Holder, downloaded on Jan. 17, 2019.

amazon.com, website, image of Tackform Solutions Car Phone Holder Magnetic Mount, downloaded on Jan. 17, 2019.

amazon.com, website, image of TNP Cup Holder Phone Mount, Universal Car Cup Smartphone Cradle Clamp w/ Flexible Neck, downloaded on Jan. 17, 2019.

amazon.com, website, image of USA Gear Cup Holder Suction Mount Surface Adapter, downloaded on Jan. 17, 2019.

crutchfield.com, website, image of Bracketron BT 16572 PhabGrip cup holder mount, downloaded on Jan. 17, 2019.

HDAccessory.com, website, image of Universal Smartphone Cup Holder Mount, downloaded on Jan. 17, 2019.

stacksocial.com, website, image of U-Grip Cup Holder Car Mount for Phones and Tablets, downloaded on Jan. 17, 2019.

walmart.com, website, image of Universal Adjustable Gooseneck Cup Holder Cradle Car Mount for Cell Phone, downloaded on Jan. 17, 2019.

rakuten.com, website, image of Smartphone 8" Long Car Cup Holder, IKross Phone Mount, downloaded on Jan. 17, 2019.

* cited by examiner

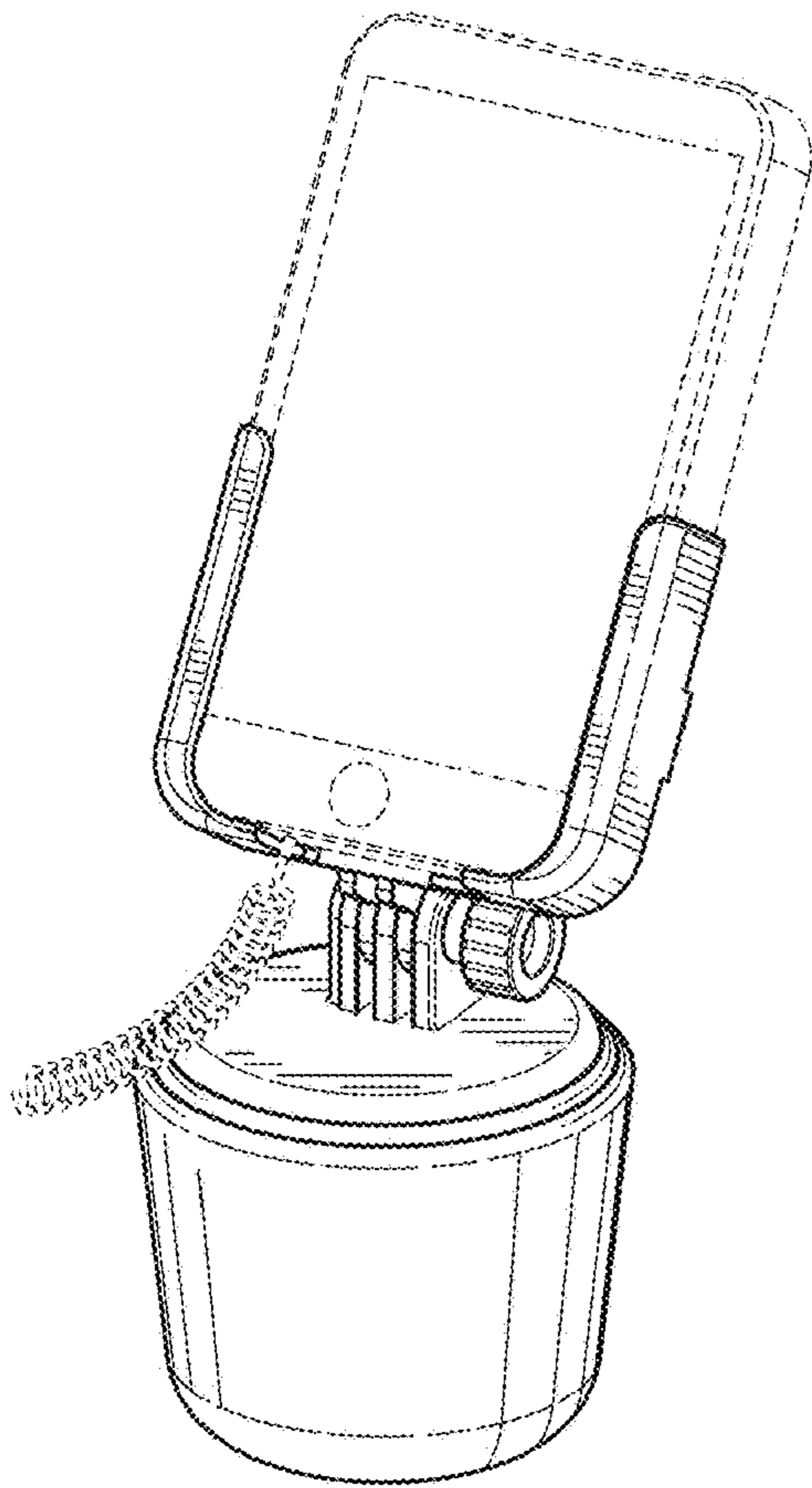


FIG. 1

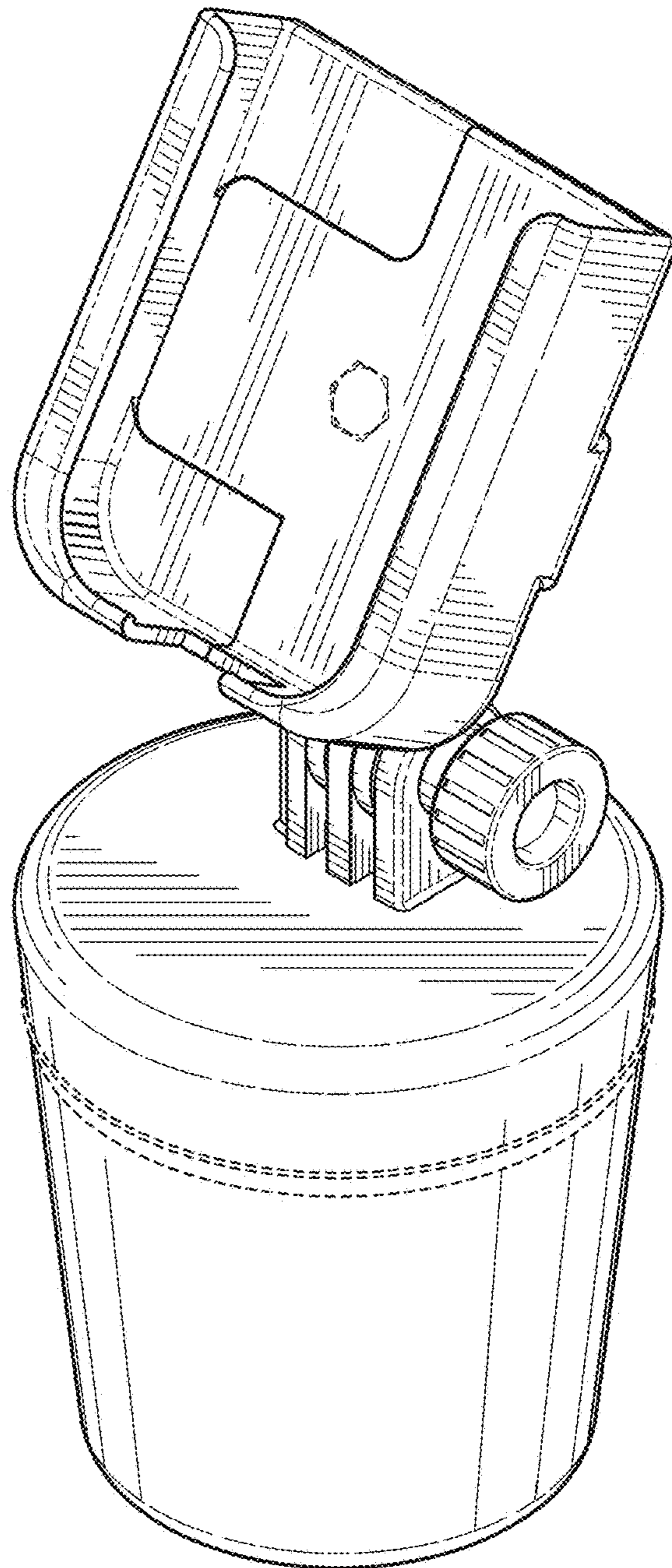


FIG. 2

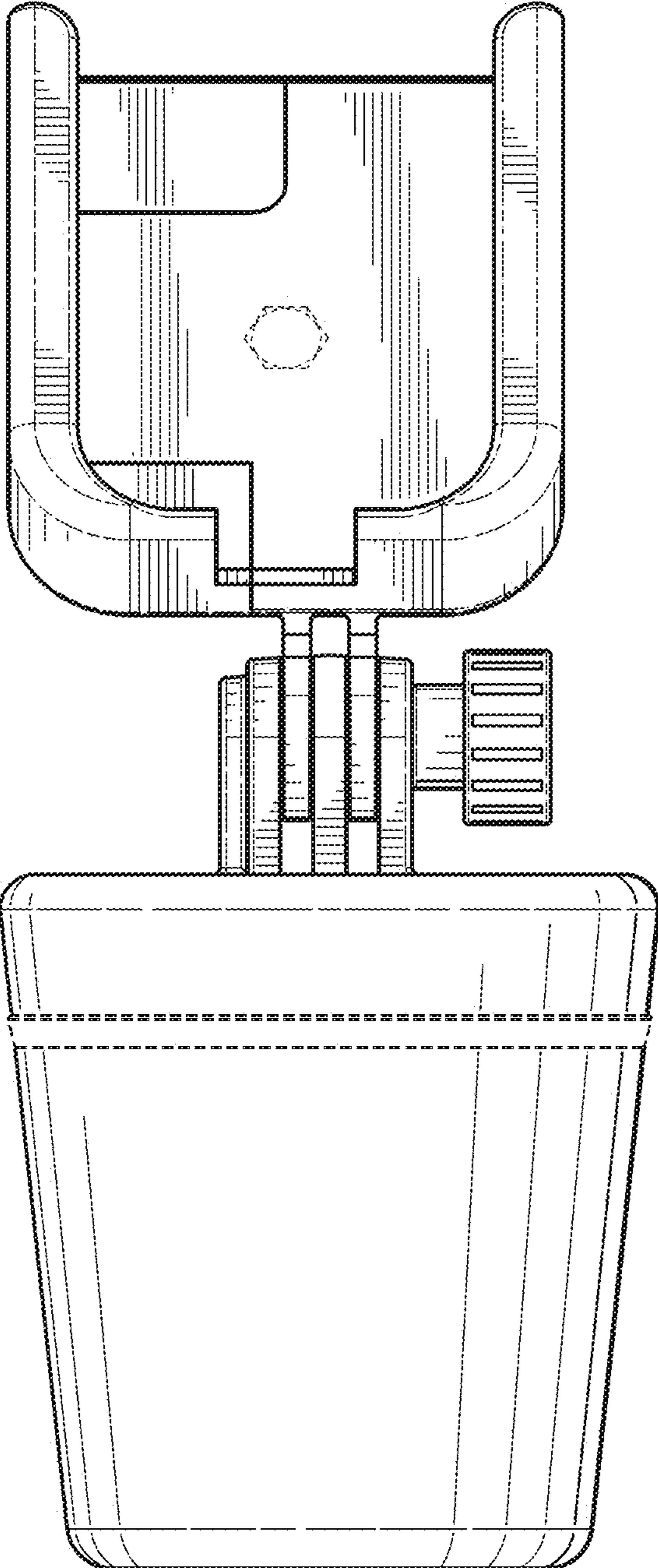


FIG. 3

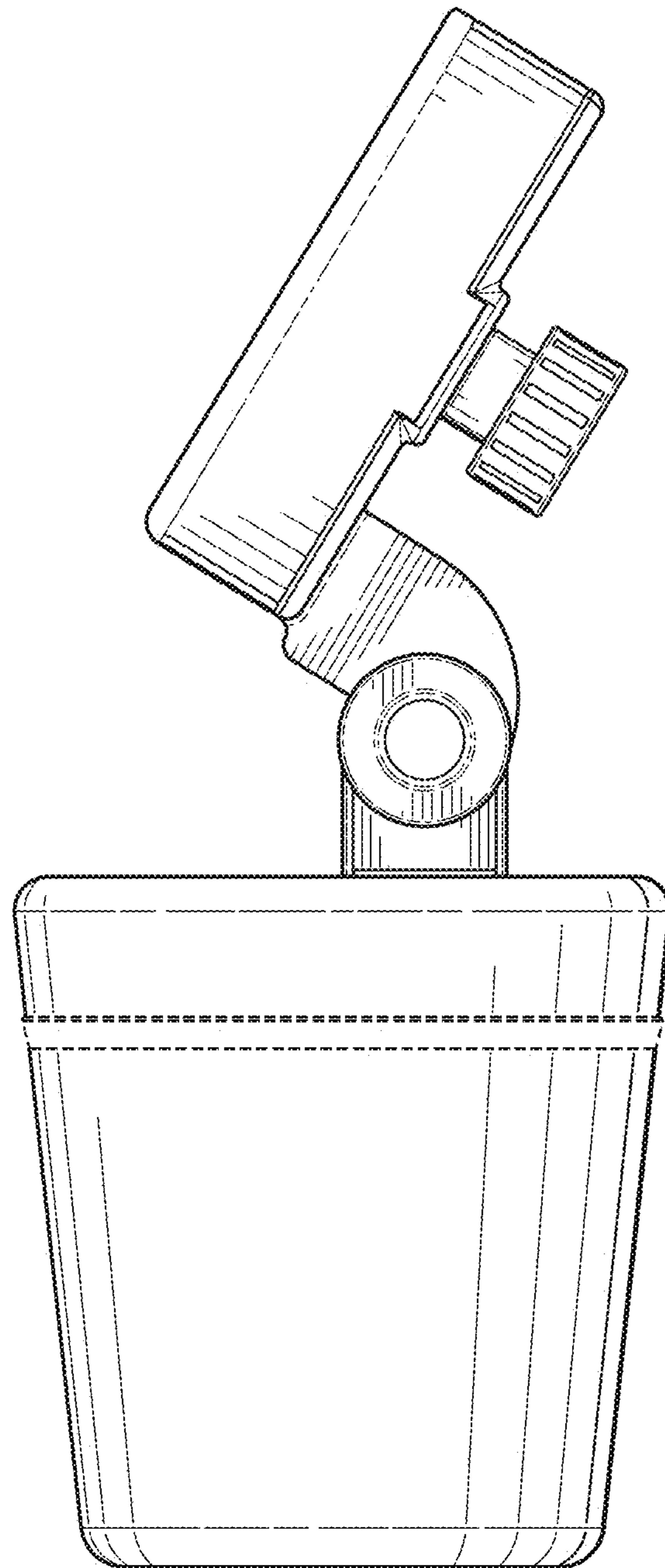


FIG. 4

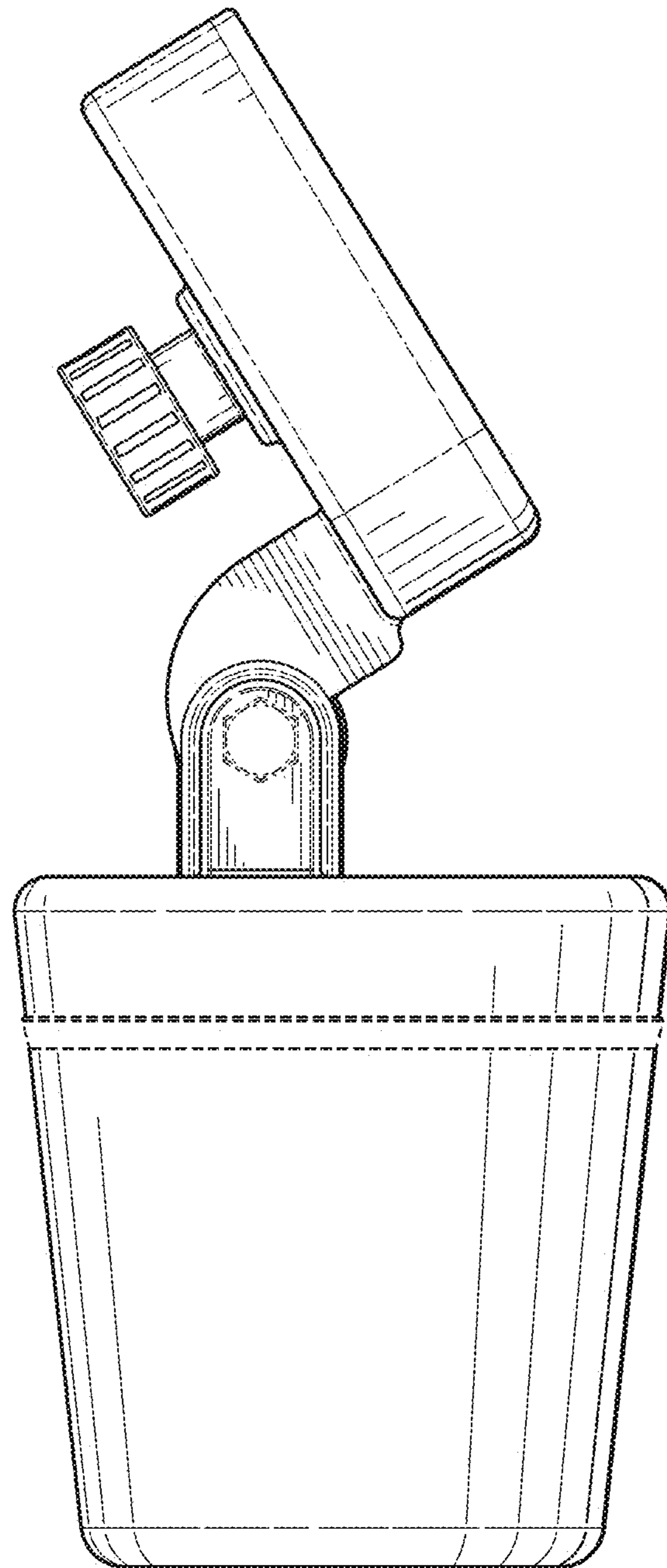


FIG. 5

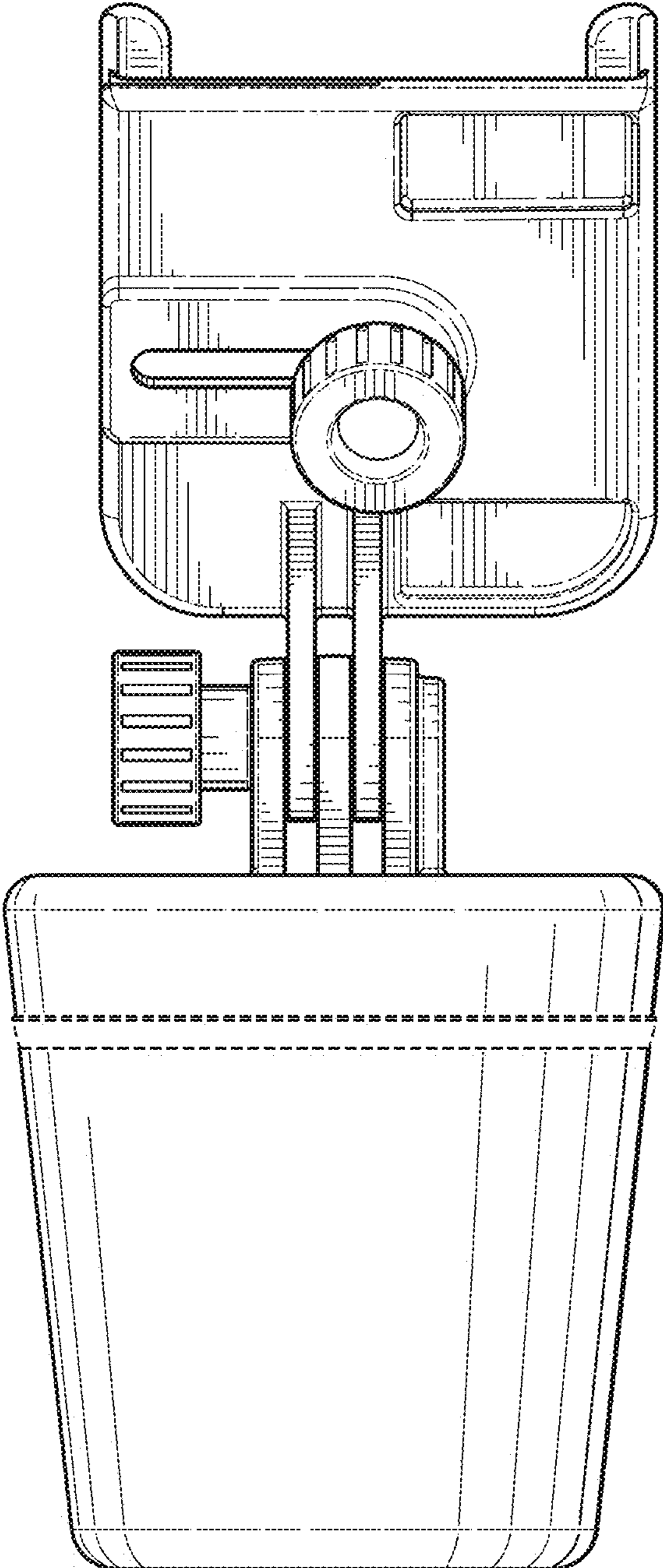


FIG. 6

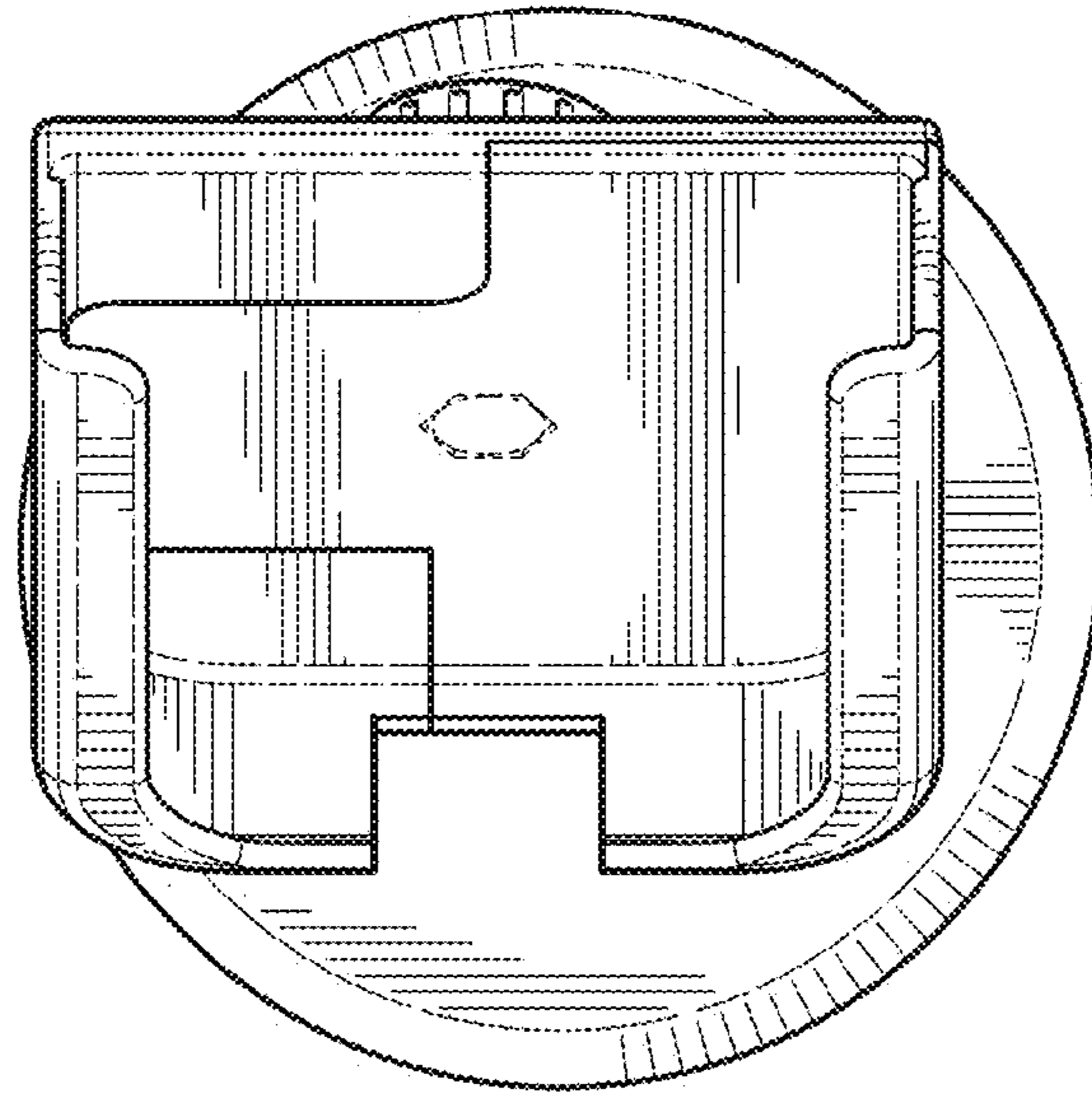


FIG. 7

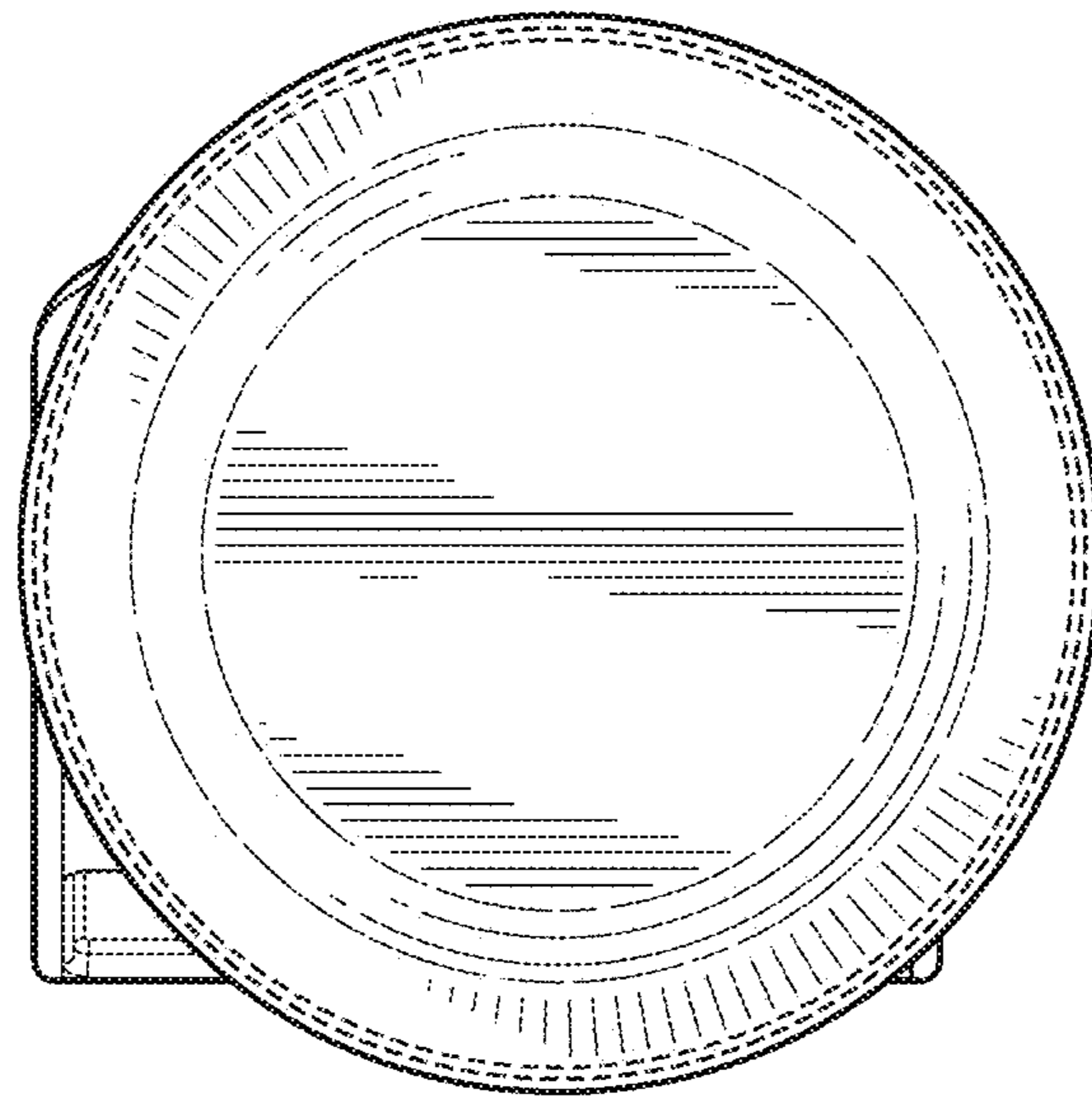


FIG. 8

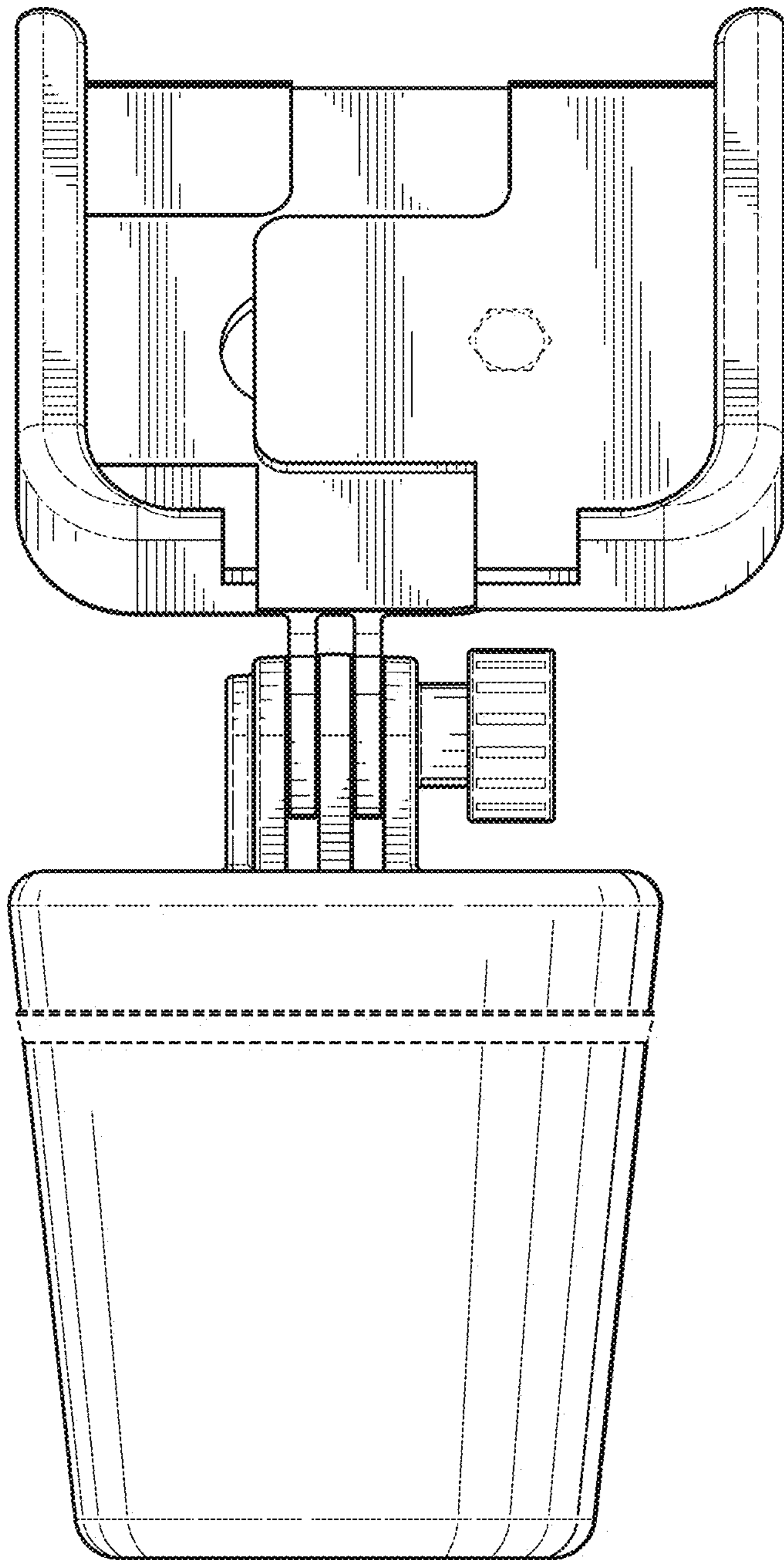


FIG. 9

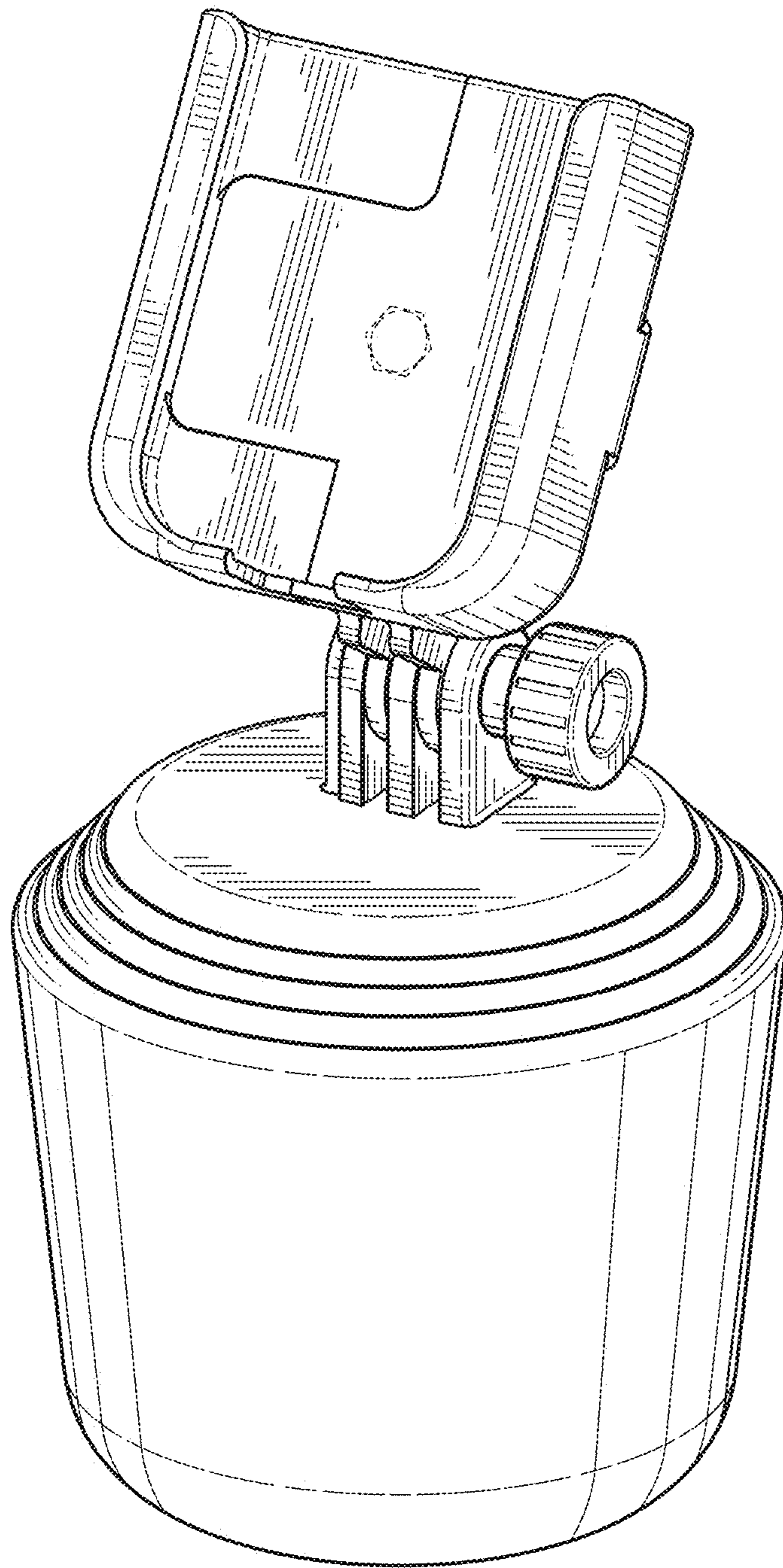


FIG. 10

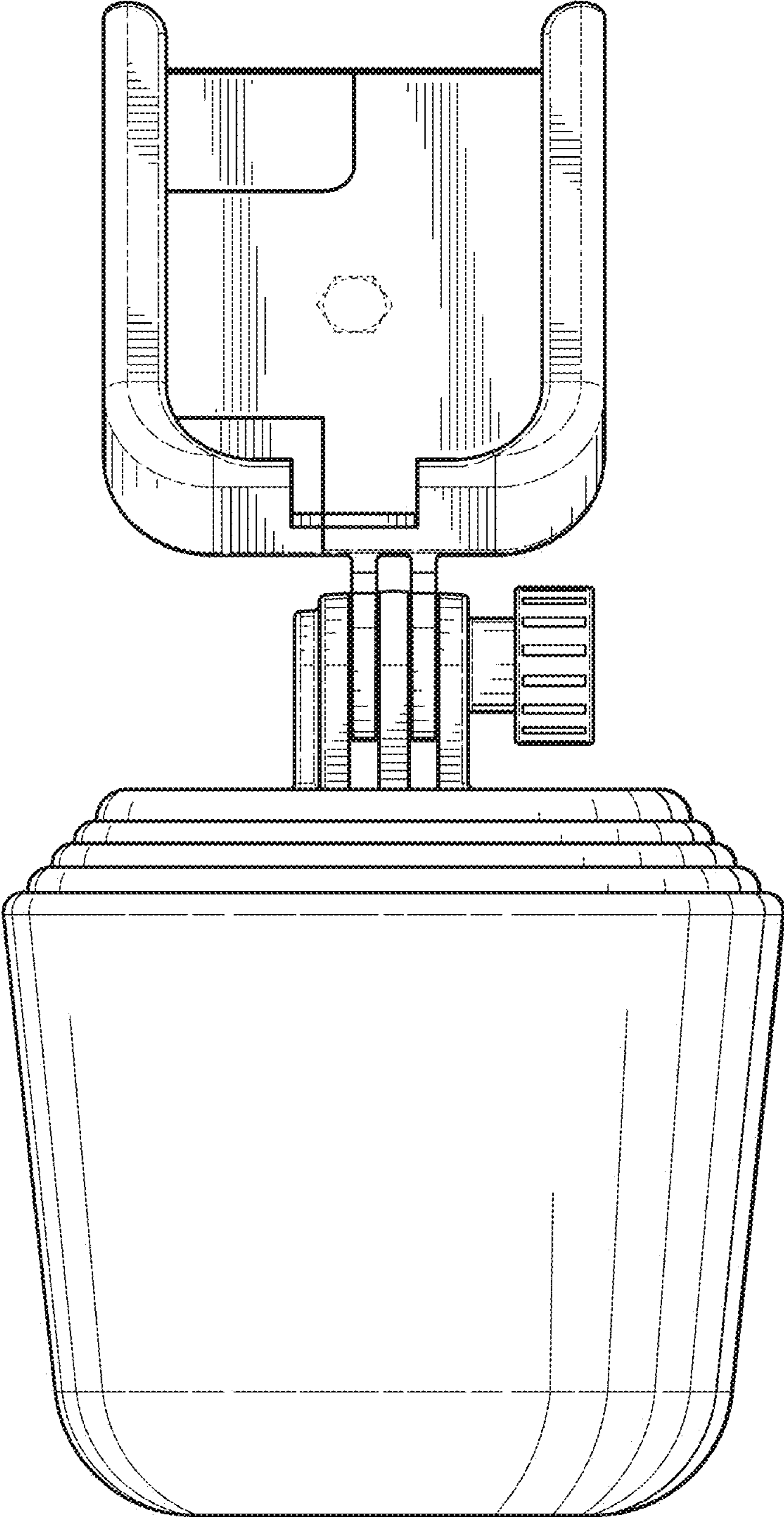


FIG. 11

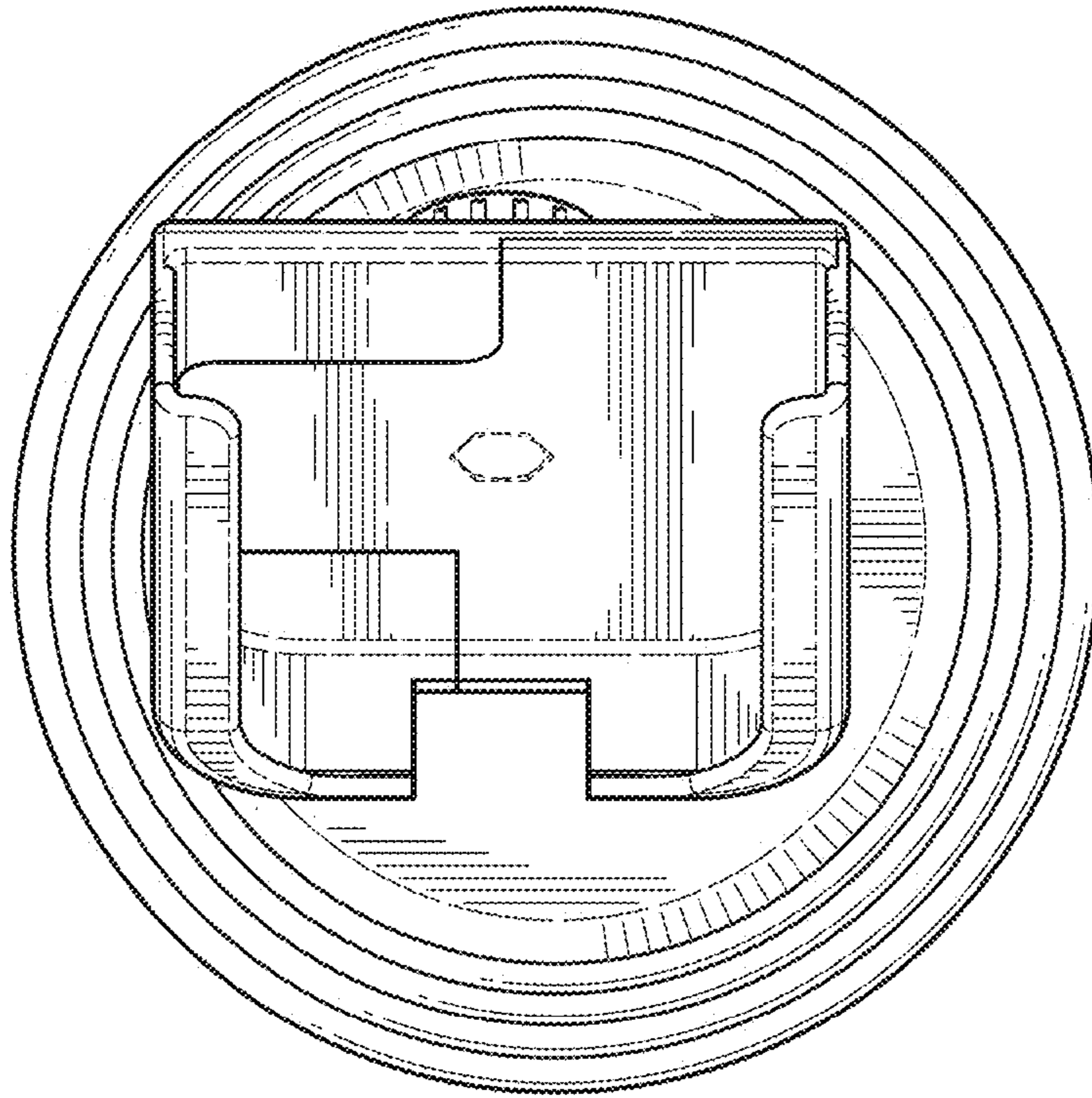


FIG. 12

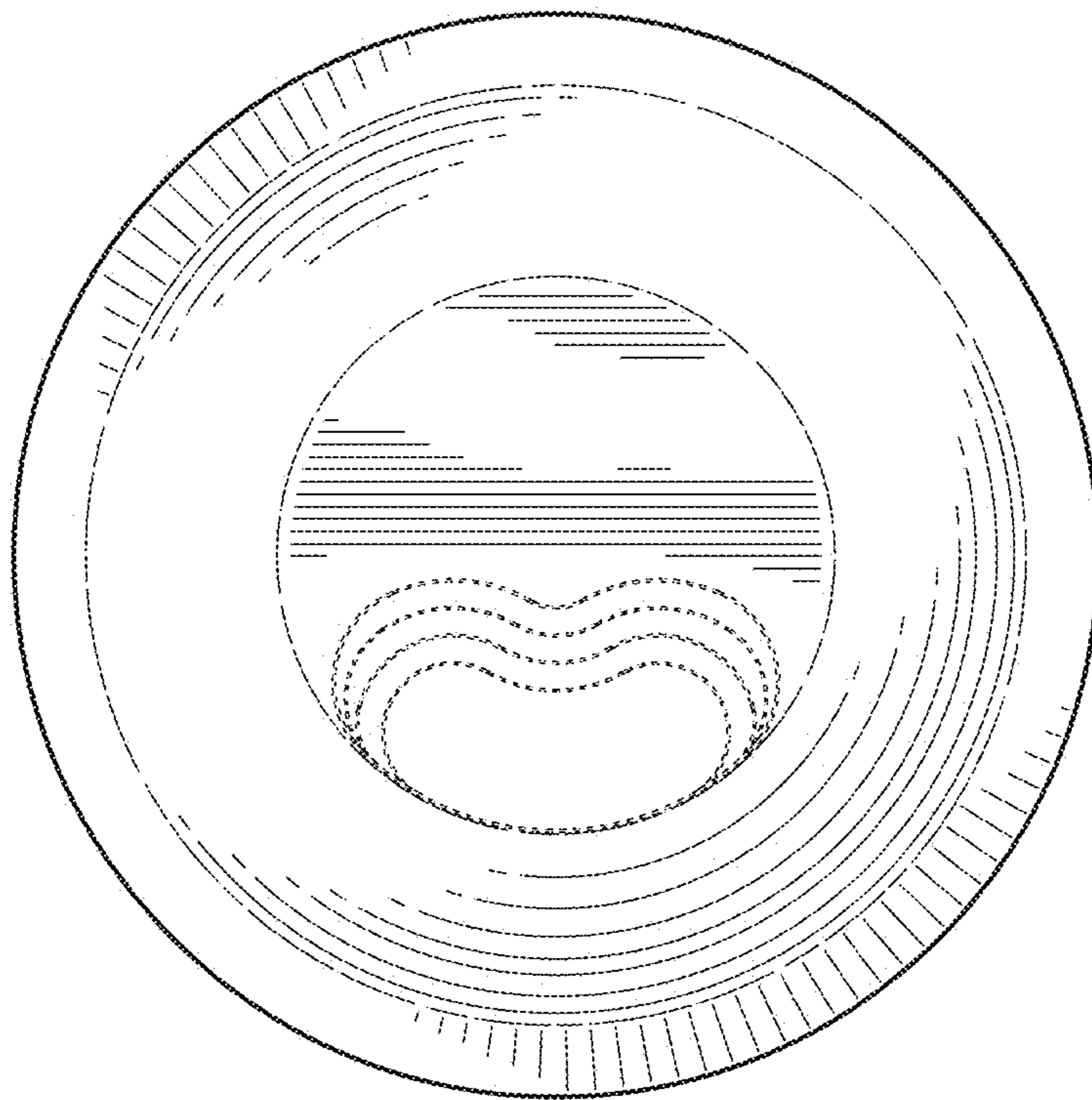


FIG. 13

FIG. 14

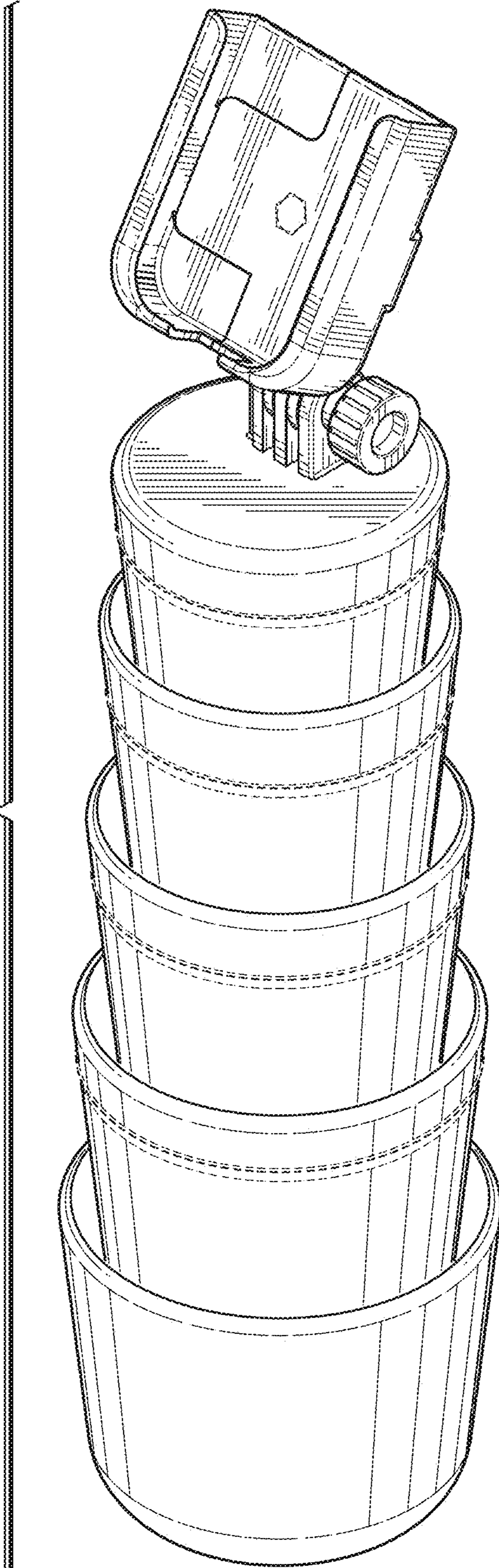


FIG. 15

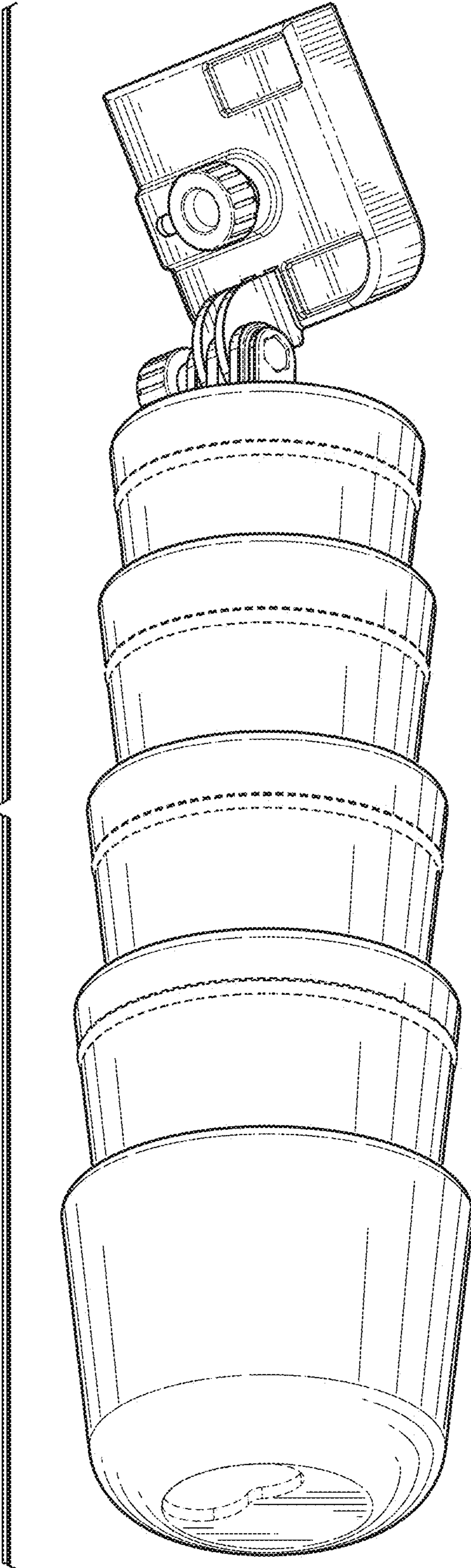
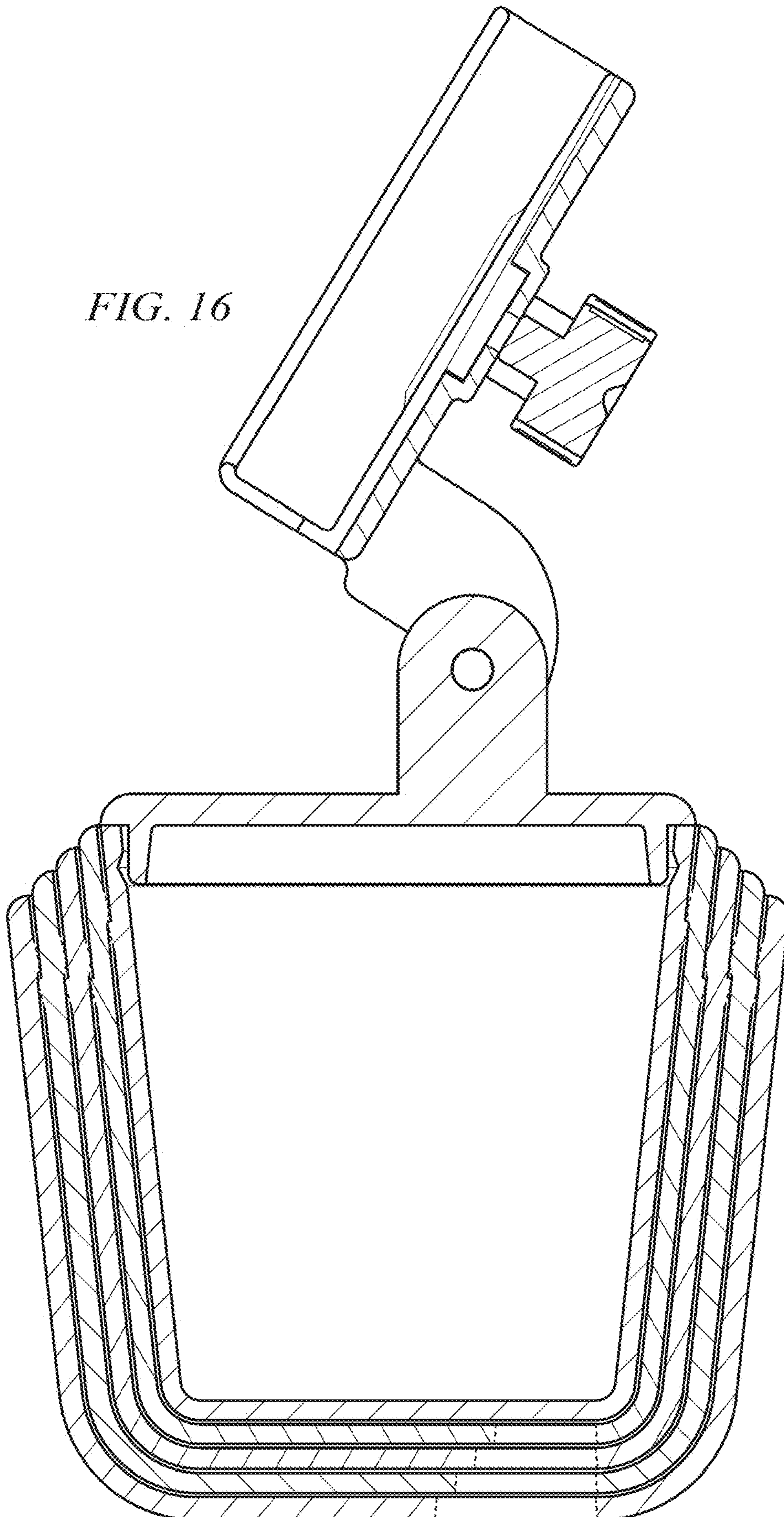


FIG. 16



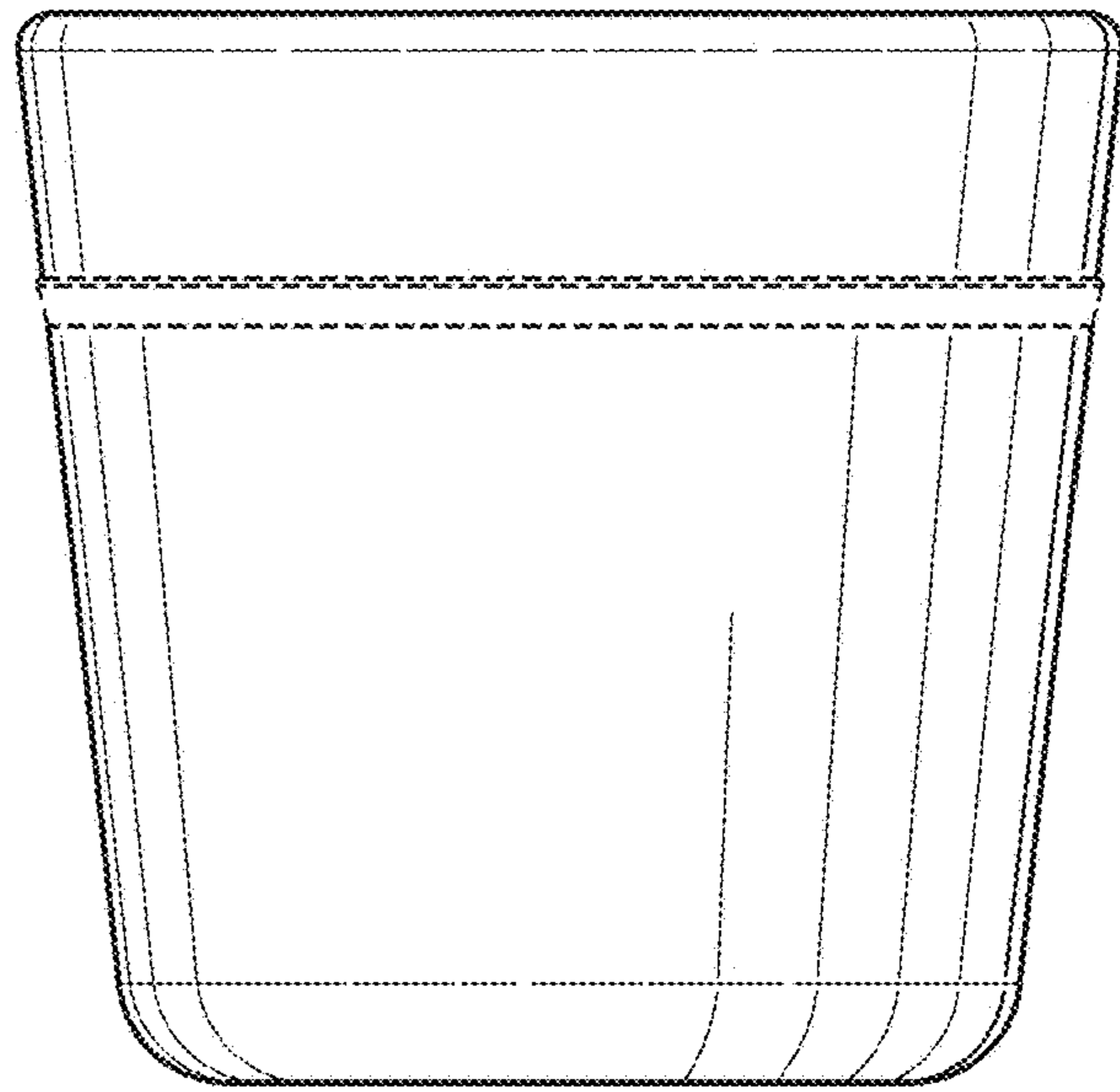


FIG. 18

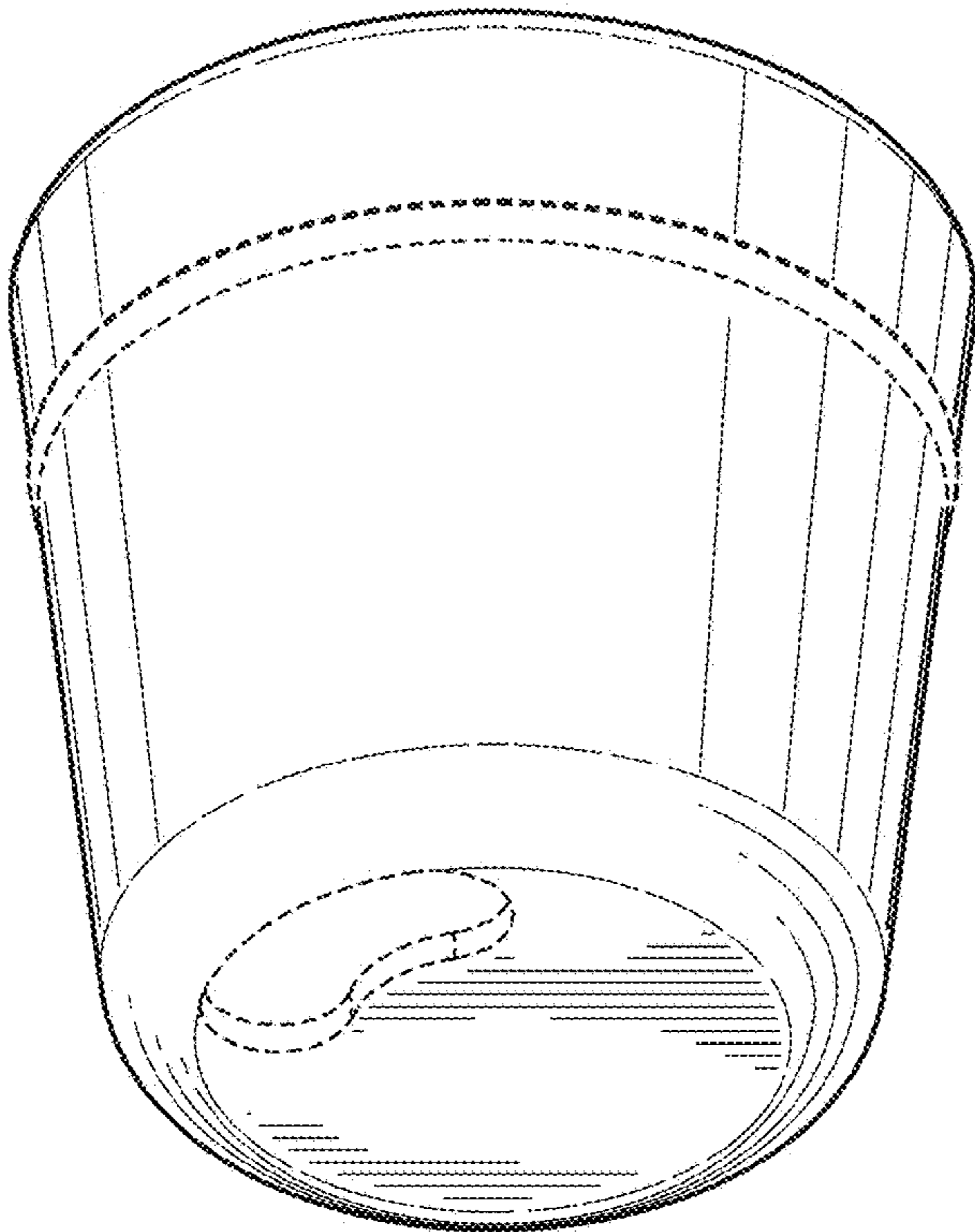


FIG. 17

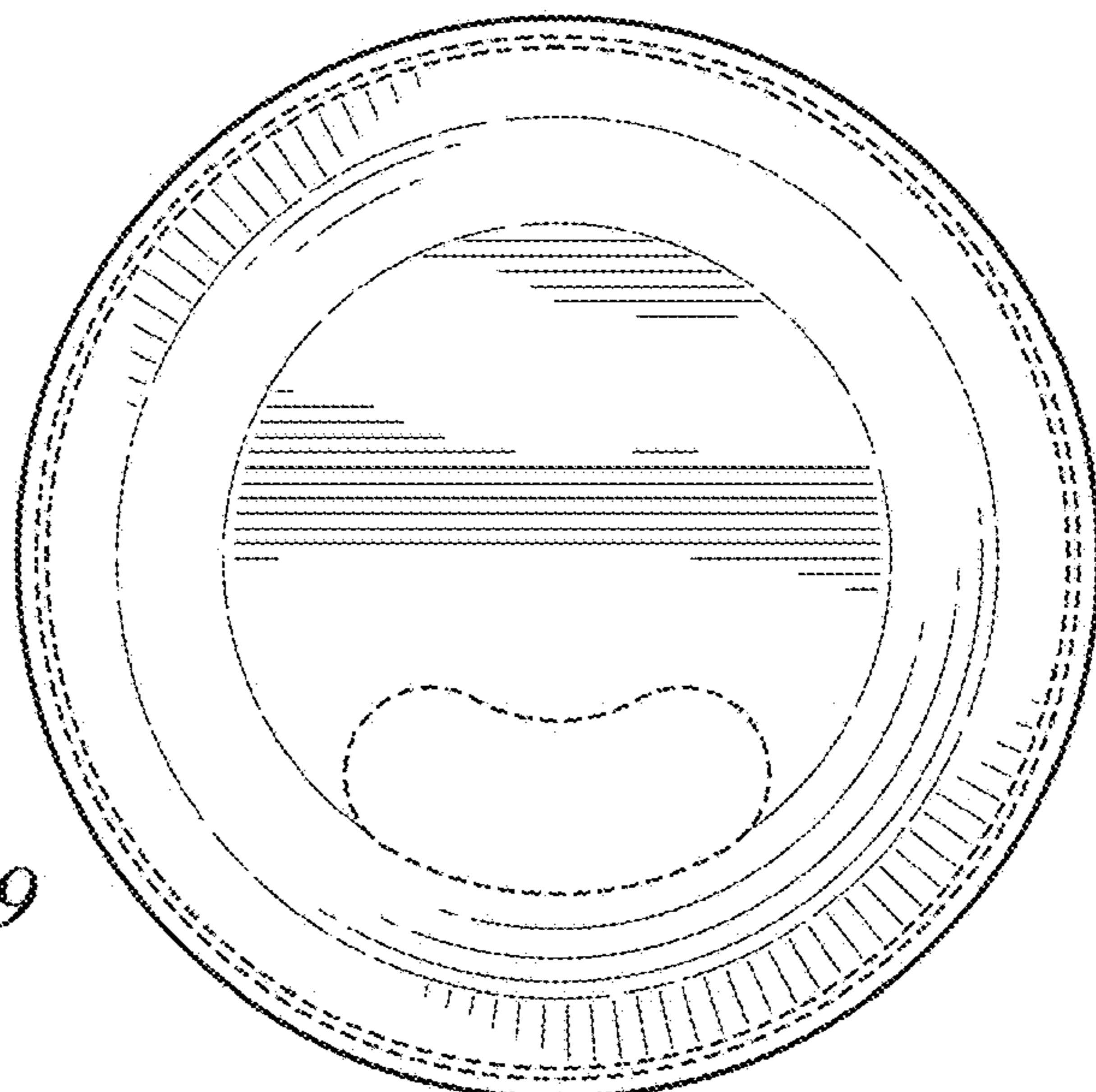


FIG. 19

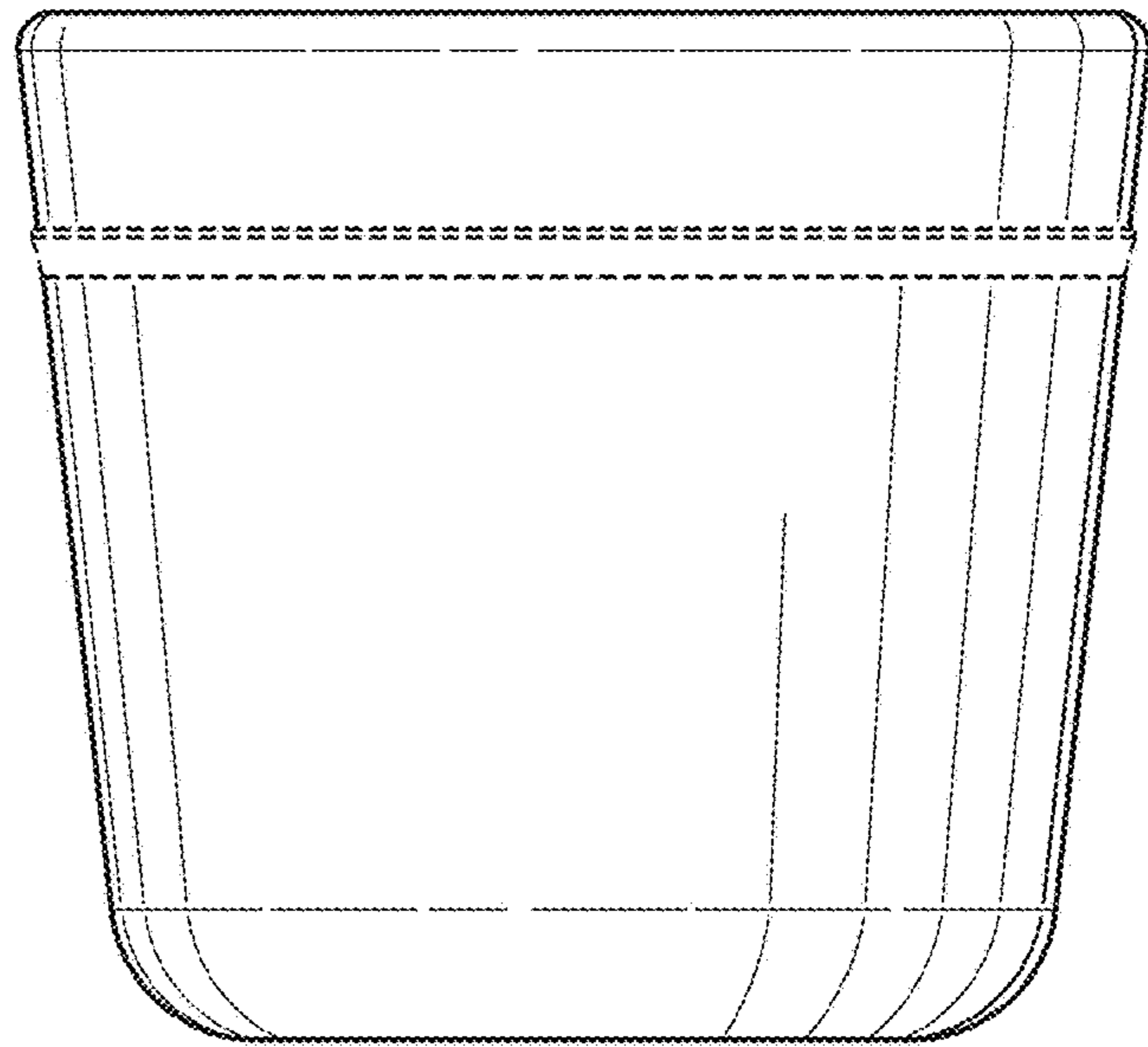


FIG. 21

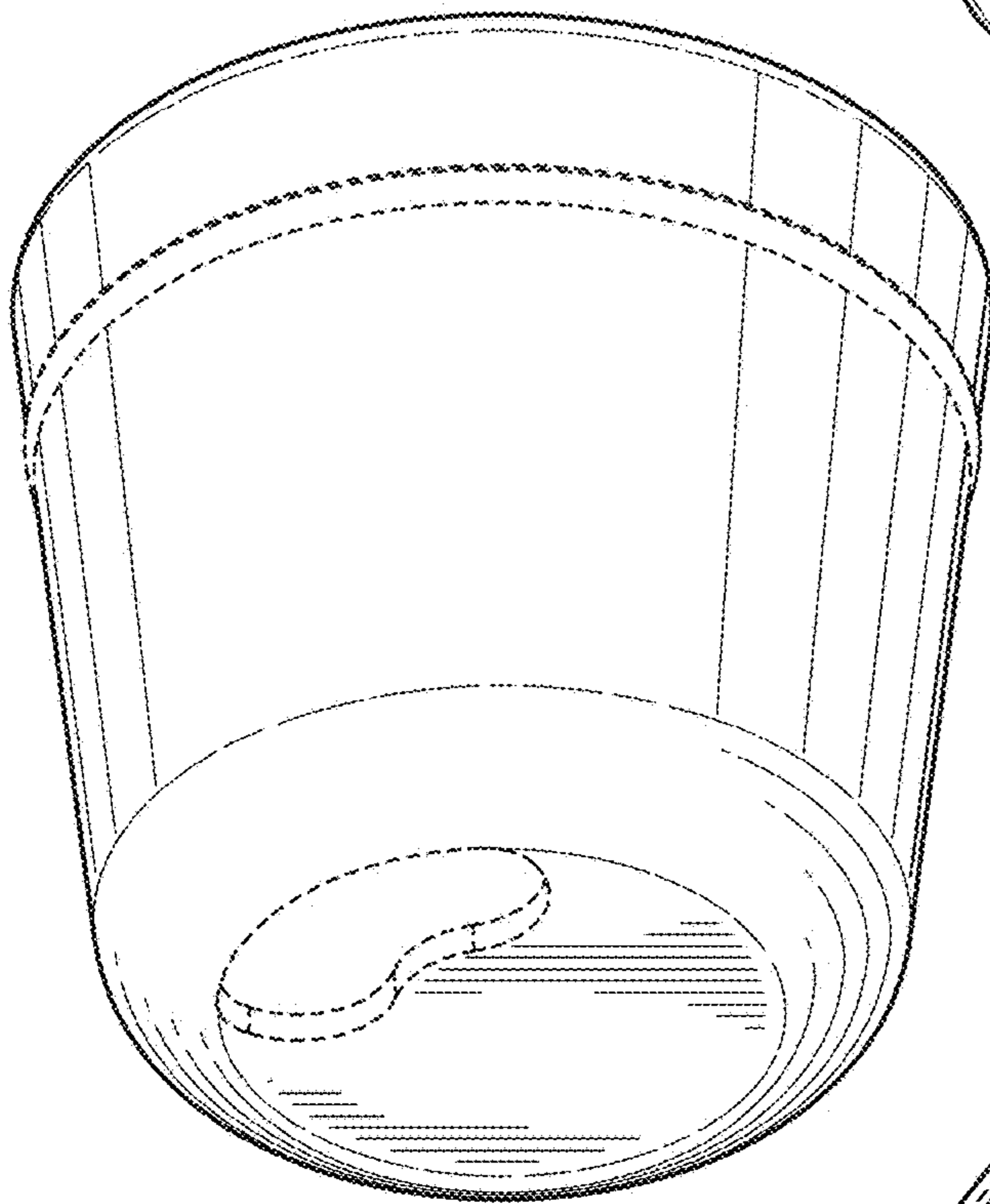


FIG. 20

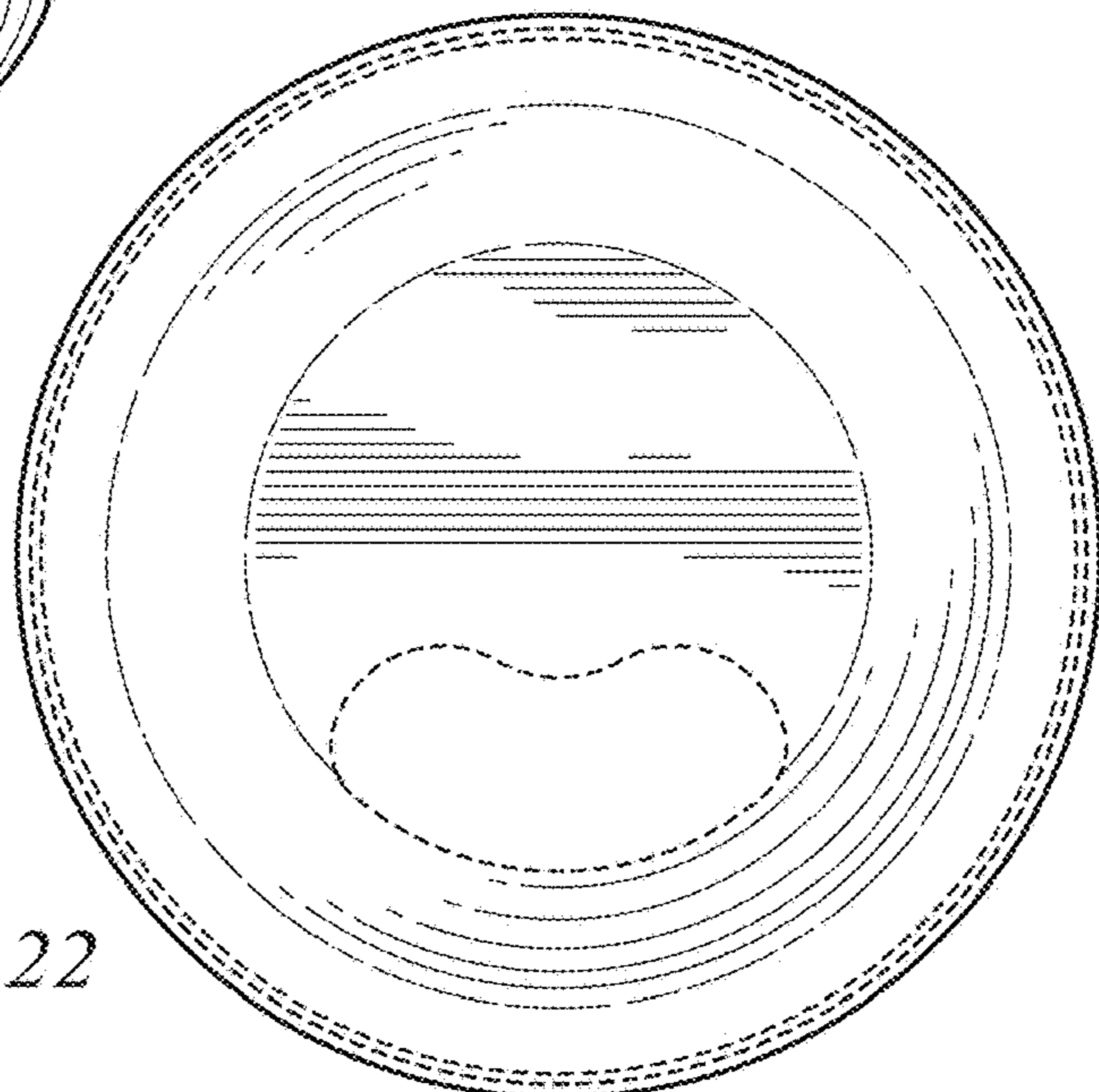


FIG. 22

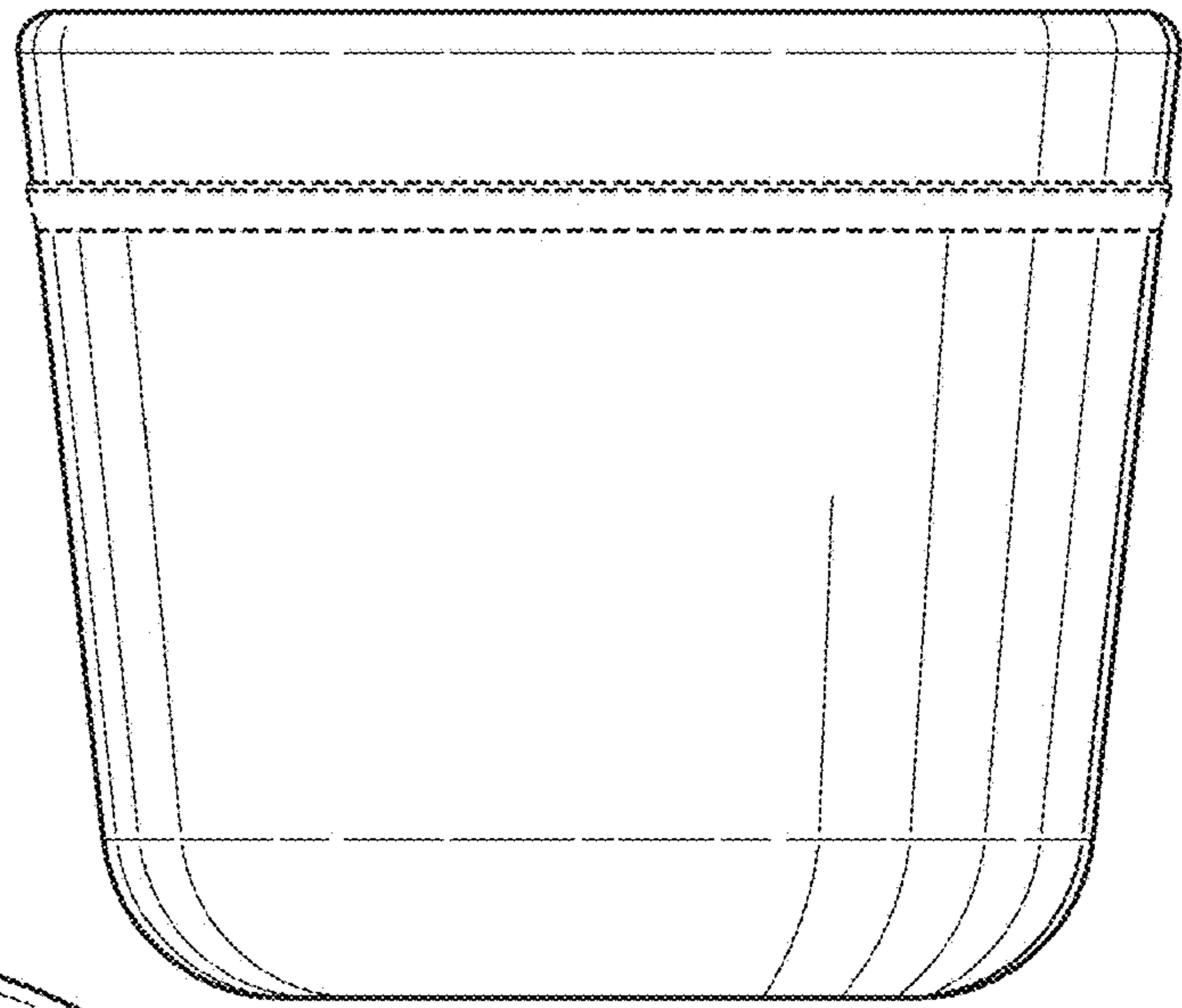


FIG. 24

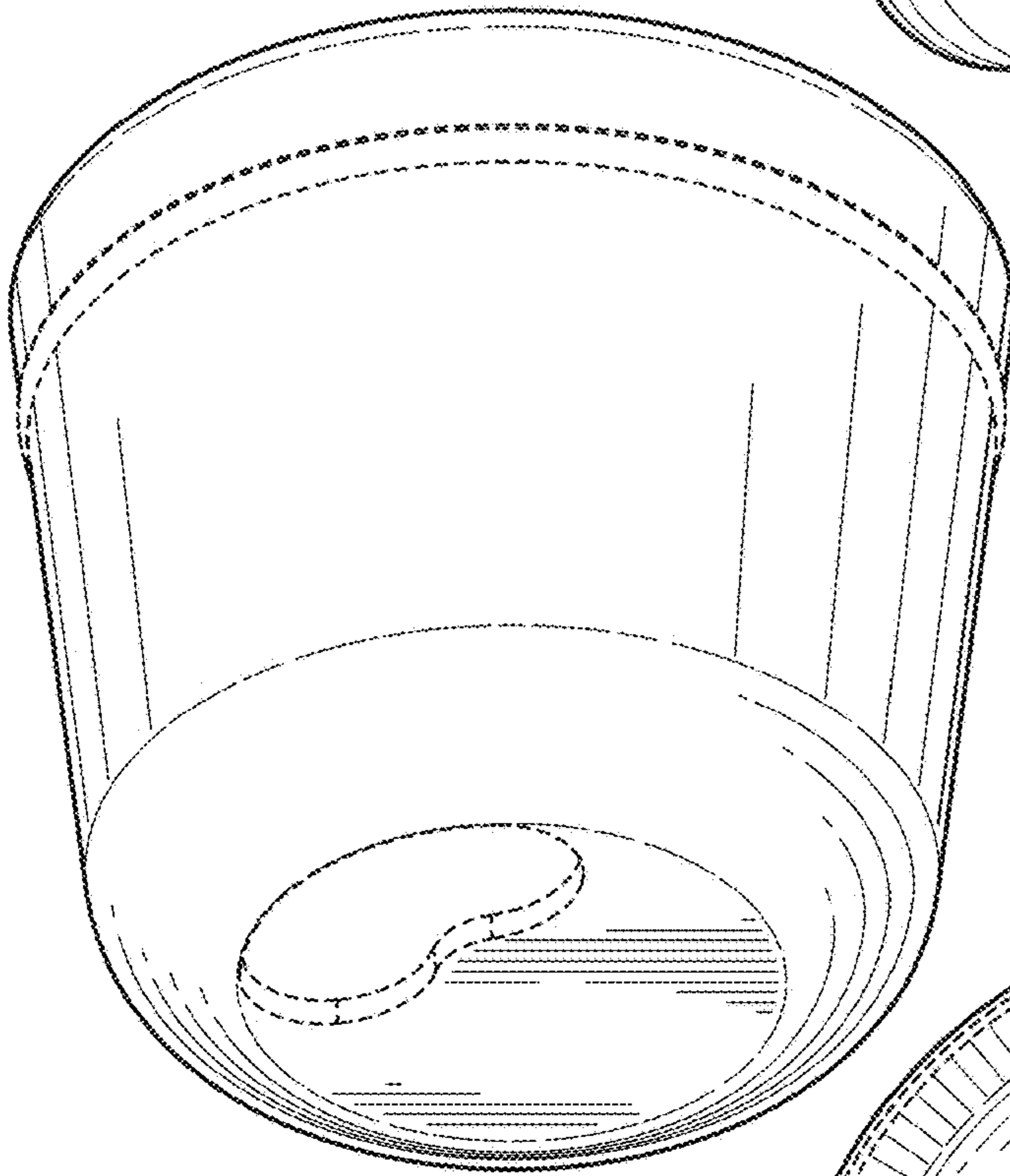


FIG. 23

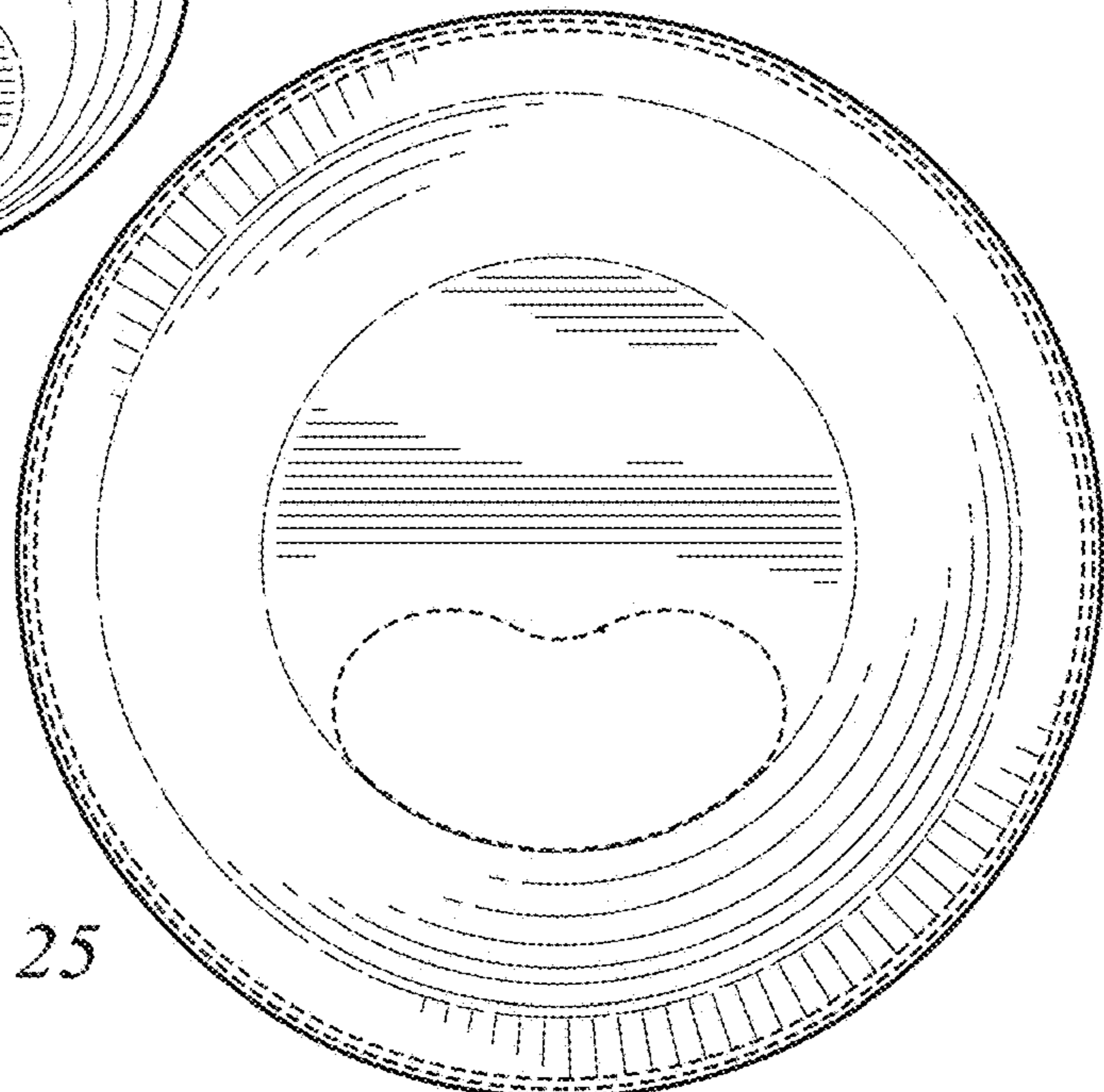


FIG. 25