



US00D873204S

(12) **United States Design Patent** (10) **Patent No.:** **US D873,204 S**
Von Holzhausen et al. (45) **Date of Patent:** **** Jan. 21, 2020**

(54) **STORAGE CONTAINER**

(71) Applicant: **Tesla, Inc.**, Palo Alto, CA (US)

(72) Inventors: **Franz Von Holzhausen**, Malibu, CA (US); **Ivan Lampkin**, Redondo Beach, CA (US); **Pascal Grappey**, Rancho Palos Verdes, CA (US)

(73) Assignee: **Tesla, Inc.**, Palo Alto, CA (US)

(**) Term: **15 Years**

(21) Appl. No.: **29/619,058**

(22) Filed: **Sep. 26, 2017**

(51) **LOC (12) Cl.** **12-16**

(52) **U.S. Cl.**
USPC **D12/415**; D12/418

(58) **Field of Classification Search**
USPC ... D12/400, 415, 418, 423, 345, 414.1, 426,
D12/203, 221, 223; D3/273, 295
CPC B64C 1/22; B64D 11/003; B60R 7/00;
B60R 7/04
See application file for complete search history.

(56) **References Cited**

U.S. PATENT DOCUMENTS

D249,670	S	*	9/1978	VanderWaal	D12/416
D256,229	S	*	8/1980	Nichols	D12/418
D303,780	S	*	10/1989	Sauber	D12/414.1
D373,988	S	*	9/1996	Johnson	D12/414.1
D381,007	S	*	7/1997	Hellhake	D12/415
D403,176	S	*	12/1998	Harper	D6/667
D533,129	S	*	12/2006	Guard	D12/345
D564,438	S	*	3/2008	Moore	D12/414.1
D630,015	S	*	1/2011	Weng	D12/414.1
D644,839	S	*	9/2011	Pitts	D3/295
D647,297	S	*	10/2011	Chen	D3/273
D680,944	S	*	4/2013	Aruga	D12/418
D714,210	S	*	9/2014	Burrows	D12/345
D743,869	S	*	11/2015	Sloan	D12/400
D746,759	S	*	1/2016	Kammerer	D12/345

D784,905	S	*	4/2017	Savian	D12/345
D791,679	S	*	7/2017	Kammerer	D12/345
2018/0050801	A1	*	2/2018	Savian	B64D 11/003
2019/0017308	A1	*	1/2019	Chadwell	B64D 11/003

OTHER PUBLICATIONS

Mashable, "Tesla unveils its monster Tesla Semi truck and lets us step inside", published Nov. 16, 2017. (<https://mashable.com/2017/11/16/tesla-semi-first-look/>) (Year: 2017).*

* cited by examiner

Primary Examiner — April Rivas

(74) *Attorney, Agent, or Firm* — Knobbe Martens Olson & Bear LLP

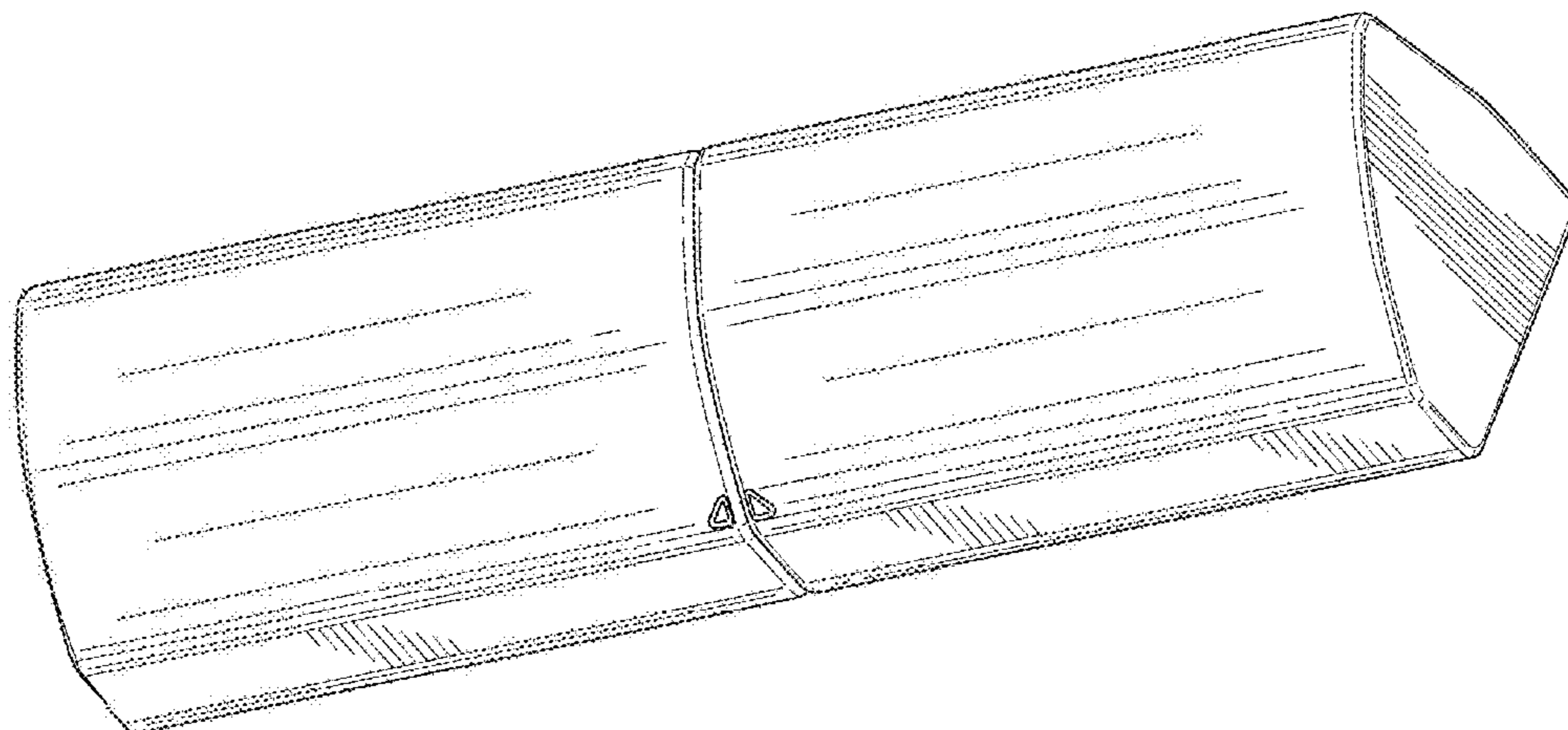
(57) **CLAIM**

The ornamental design for a storage container, as shown and described.

DESCRIPTION

FIG. 1 is a perspective view of a storage container.
FIG. 2 is a front elevational view of the storage container of FIG. 1.
FIG. 3 is a back elevational view of the storage container of FIG. 1.
FIG. 4 is a side elevational view of the storage container of FIG. 1.
FIG. 5 is a side elevational view of the storage container of FIG. 1 from the opposite side from FIG. 4.
FIG. 6 is a bottom plan view of the storage container of FIG. 1.
FIG. 7 is a top plan view of the storage container of FIG. 1; and,
FIG. 8 is a perspective view of the storage container of FIG. 1 sitting within the ceiling of a semi-truck cab.
The broken lines disclosed in FIG. 8 illustrate environment and form no part of the claimed design.

1 Claim, 5 Drawing Sheets



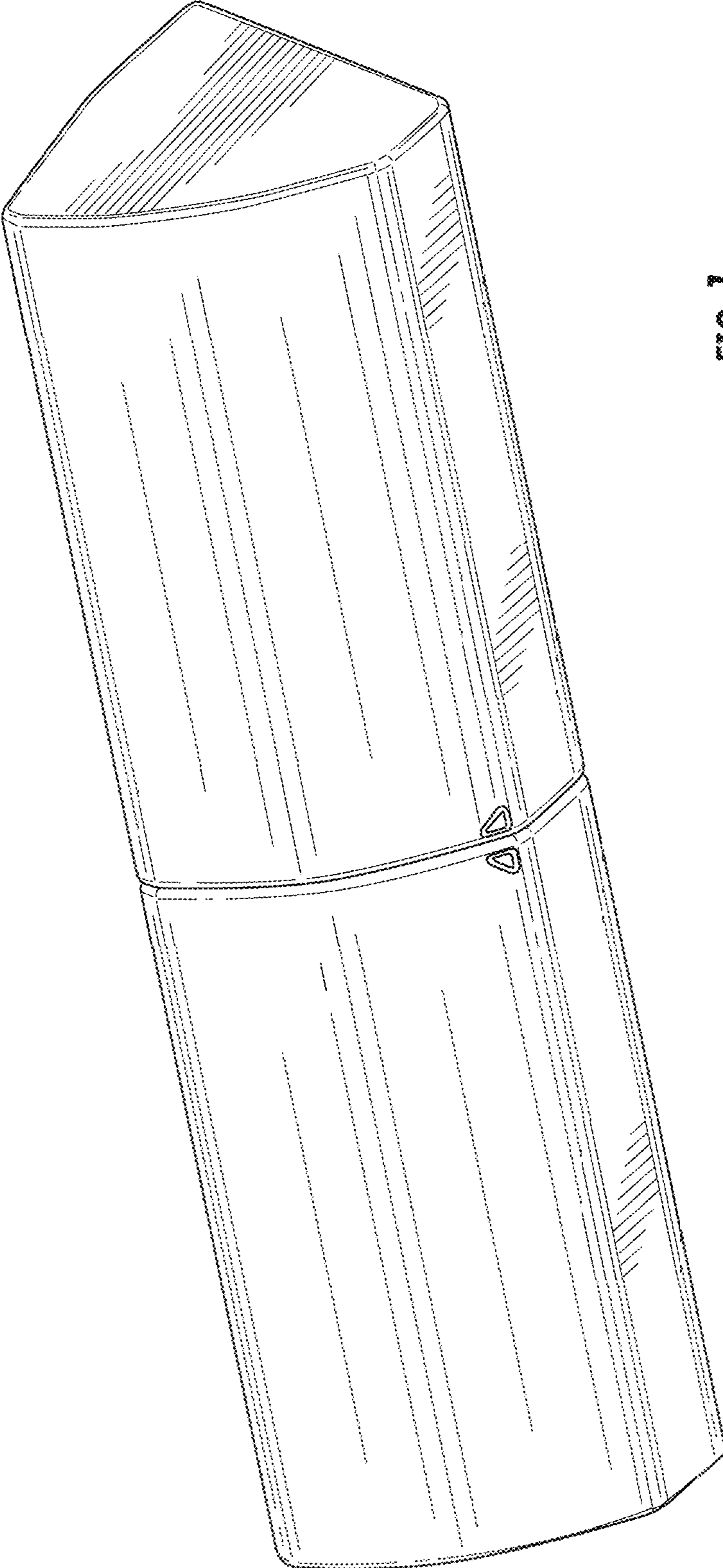


FIG. 1

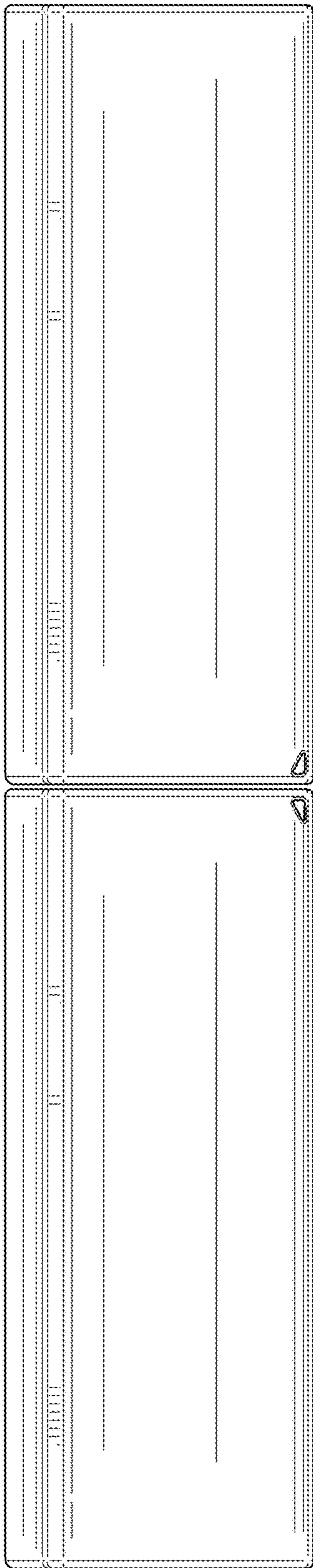


FIG. 2

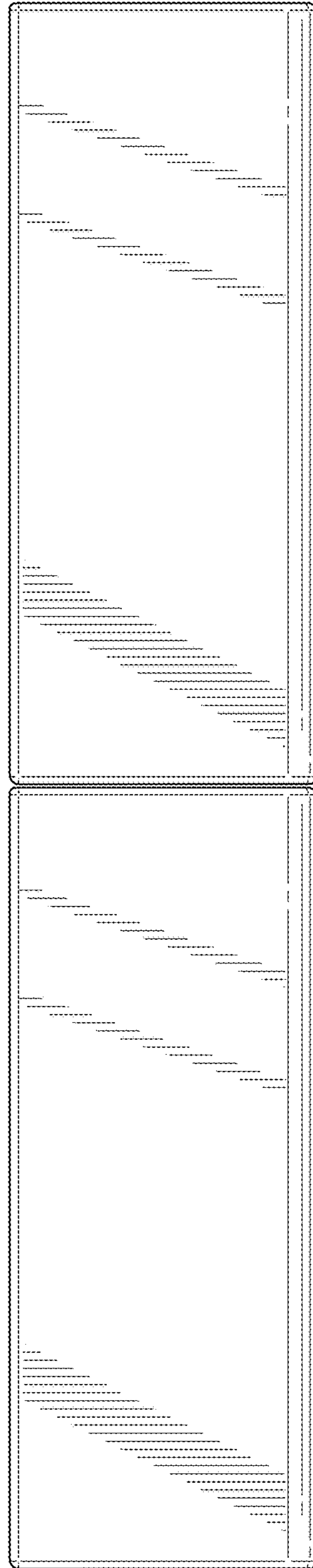


FIG. 3

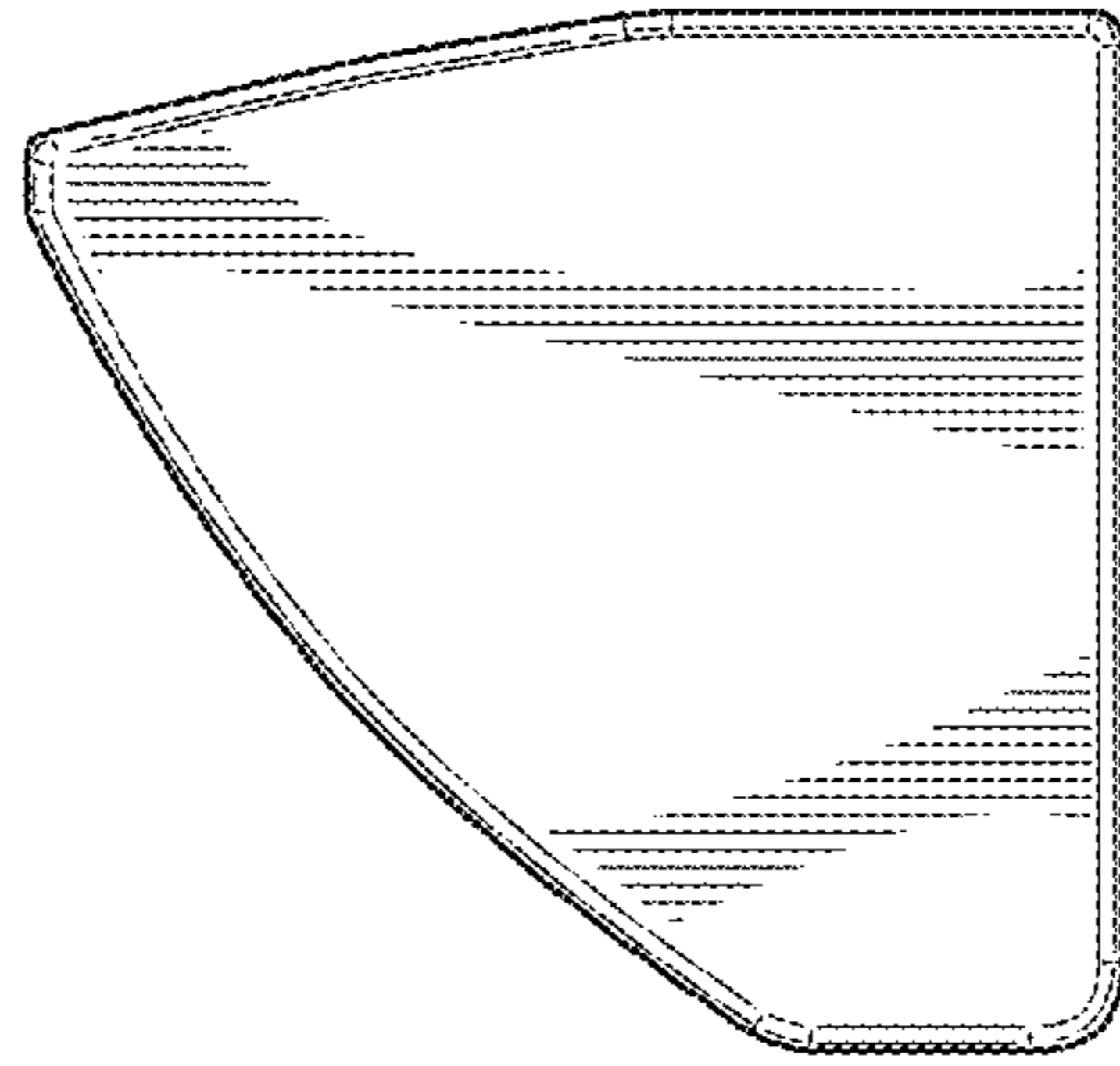


FIG. 4

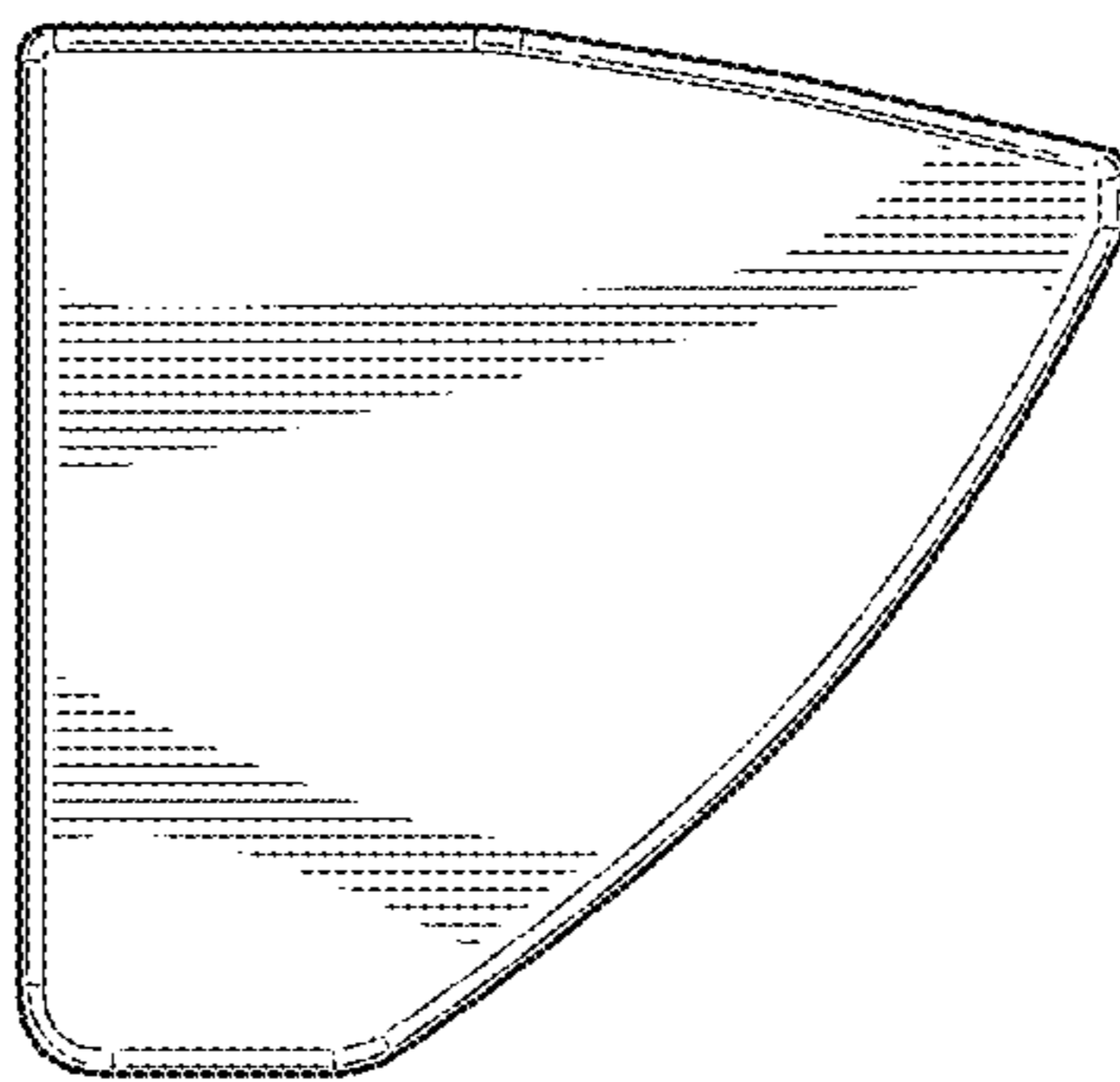


FIG. 5

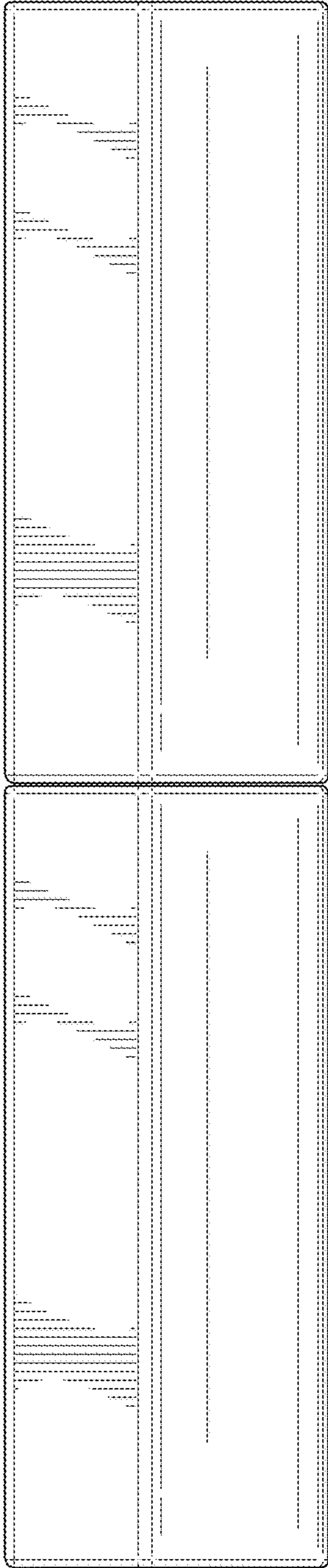


FIG. 6

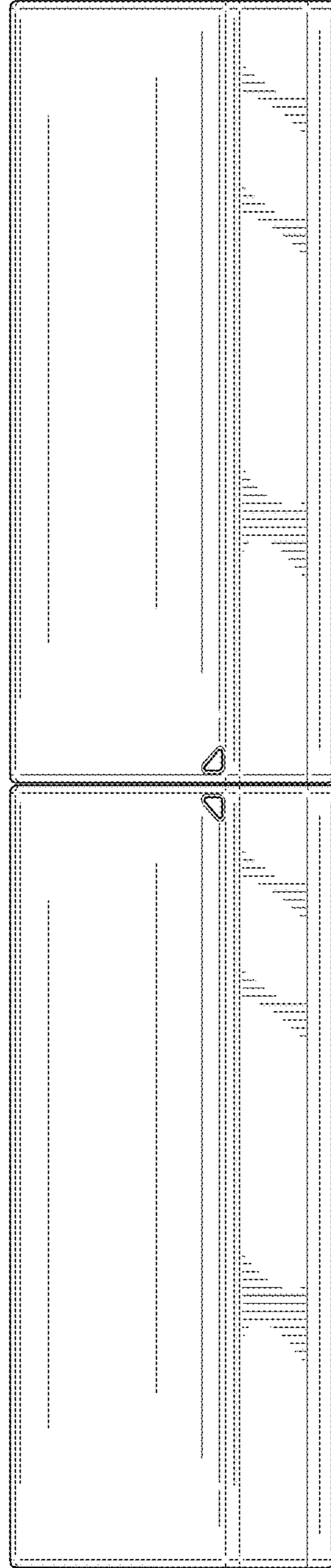


FIG. 7

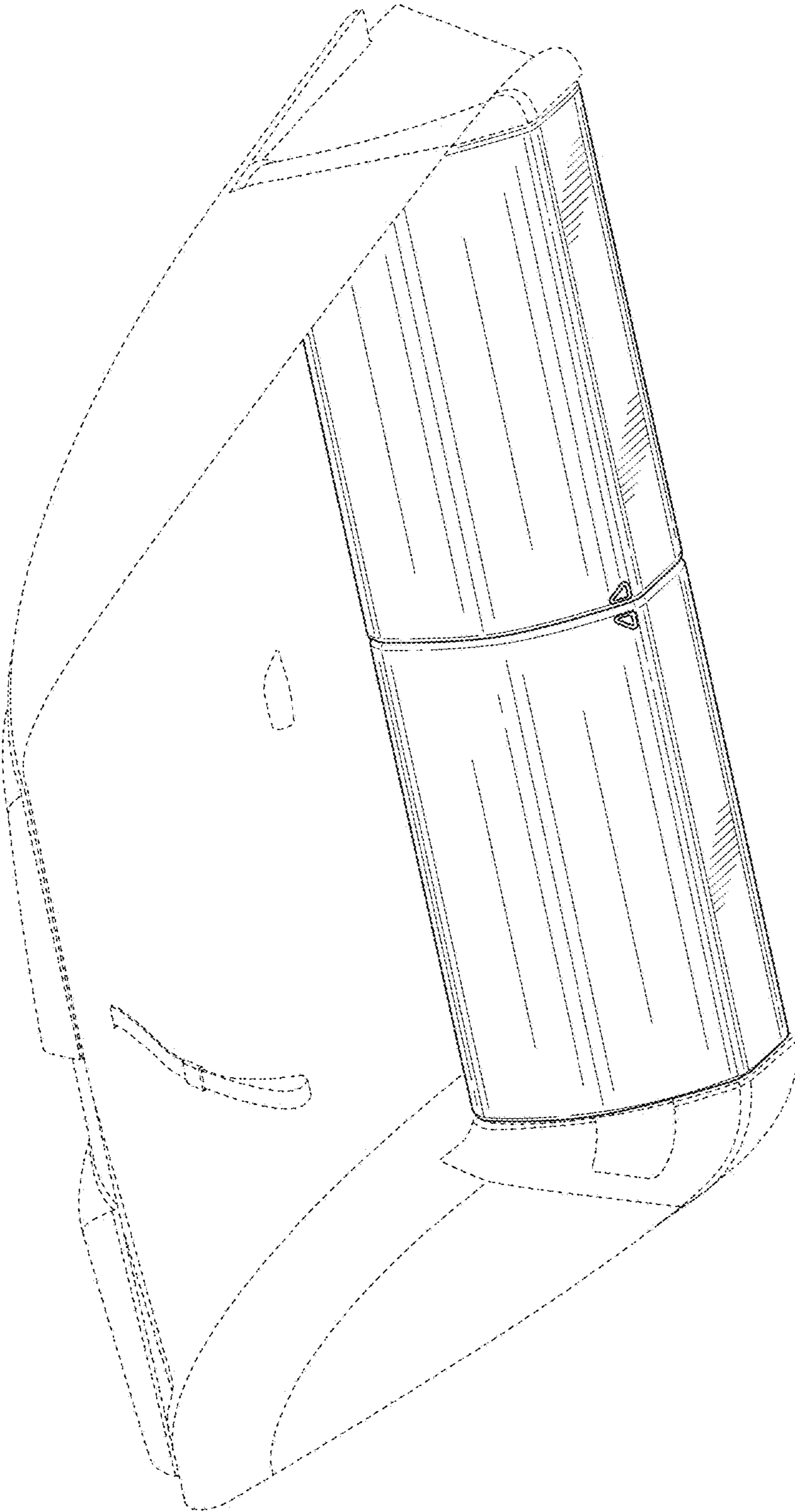


FIG. 8