



US00D873201S

(12) **United States Design Patent**
Langford, III et al.

(10) **Patent No.: US D873,201 S**
(45) **Date of Patent: ** *Jan. 21, 2020**

- (54) **AIRCRAFT**
- (71) Applicant: **Aurora Flight Sciences Corporation**,
Manassas, VA (US)
- (72) Inventors: **John S. Langford, III**, Falls Church,
VA (US); **Brian M. Yutko**, Somerville,
MA (US)
- (73) Assignee: **The Boeing Company**, Chicago, IL
(US)

- 8,622,334 B2 * 1/2014 Drela B64C 21/06
244/1 N
- 8,721,383 B2 * 5/2014 Woodworth B64C 15/00
244/12.4
- D712,310 S * 9/2014 Gundlach D12/16.1
- D725,576 S * 3/2015 Vickers D12/3
- 9,010,683 B2 * 4/2015 Gundlach B64C 25/68
244/110 C
- D732,458 S * 6/2015 Dutertre D12/319
- D736,140 S * 8/2015 Moller D12/326
- D739,807 S * 9/2015 Strand D12/324
- D763,733 S * 8/2016 Gattelli D12/16.1
- 9,475,579 B2 * 10/2016 Fredericks B64C 25/52

(*) Notice: This patent is subject to a terminal disclaimer.

(**) Term: **15 Years**

(21) Appl. No.: **29/656,633**

(22) Filed: **Jul. 13, 2018**

(51) **LOC (12) Cl.** **12-07**

(52) **U.S. Cl.**
USPC **D12/319**

(58) **Field of Classification Search**
USPC D12/1-4, 16.1, 319-345; D21/436-454
CPC B64C 39/024; B64C 13/16; B64C 19/00;
B64C 2201/021; B64C 2201/141; B60H
1/3442

See application file for complete search history.

(56) **References Cited**

U.S. PATENT DOCUMENTS

- D210,809 S * 4/1968 Stearman D12/335
- D277,976 S * 3/1985 Holloway D12/16.1
- 4,739,957 A * 4/1988 Vess B64C 9/34
244/199.1
- D616,804 S * 6/2010 Manley D12/319
- D628,528 S * 12/2010 Cabezas Carrasco D12/319
- D630,996 S * 1/2011 Gall D12/319
- D642,968 S * 8/2011 Zhao D12/344
- D651,156 S * 12/2011 Gundlach D12/319
- D691,547 S * 10/2013 Hall D12/319

(Continued)

OTHER PUBLICATIONS

Aurora Flight Services. by Boeing. dated 2019 . found online [Oct. 23, 2019] <https://www.aurora.aero/>.*

Primary Examiner — Marissa J Cash

(74) *Attorney, Agent, or Firm* — Dascenzo Intellectual Property Law, P.C.

(57) **CLAIM**

The ornamental design for an aircraft, as shown and described.

DESCRIPTION

FIG. 1 is an isometric view of an aircraft showing the new design;

FIG. 2 is another isometric view thereof;

FIG. 3 is a front view thereof;

FIG. 4 is a rear view thereof;

FIG. 5 is a left side view thereof;

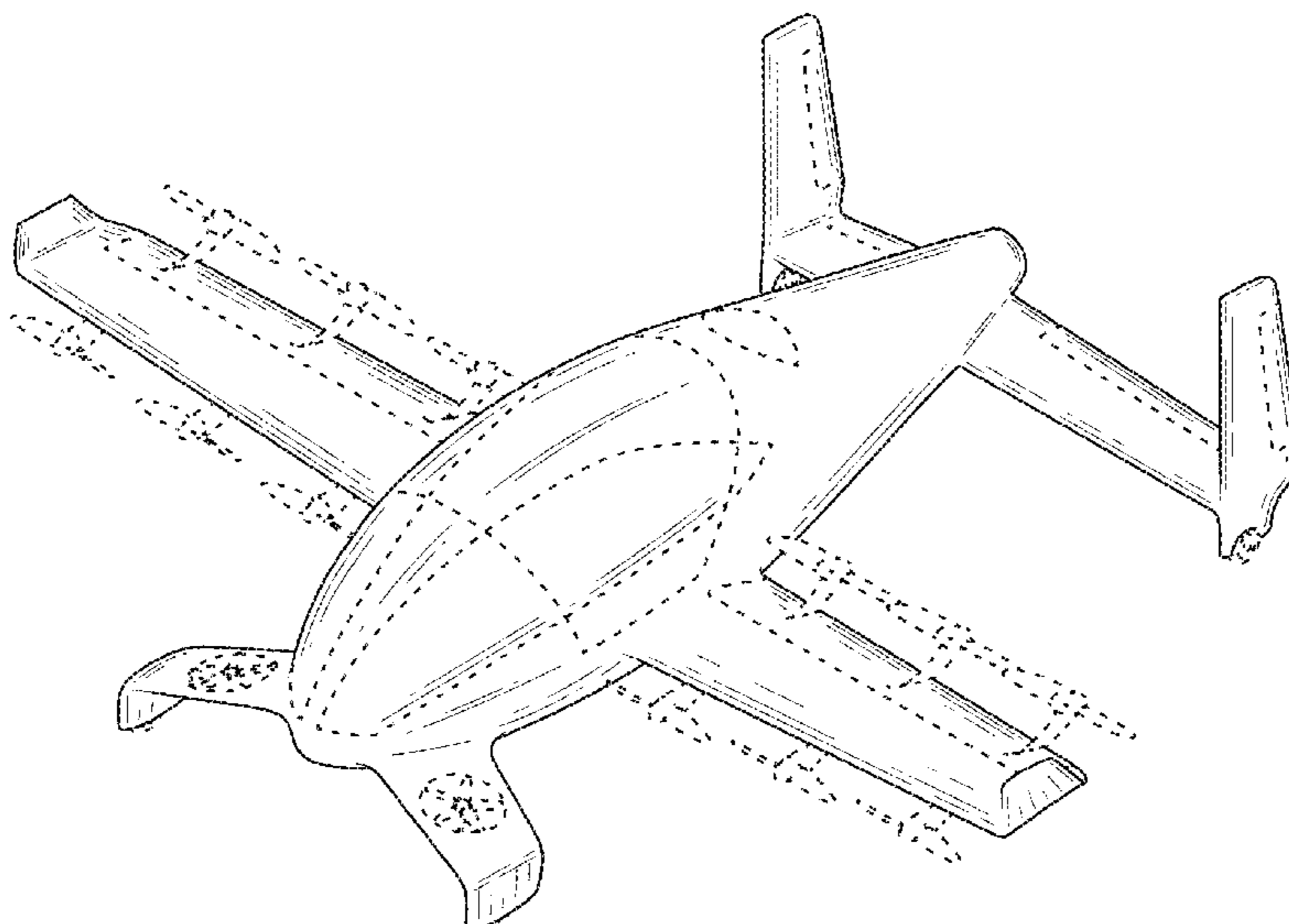
FIG. 6 is a right side view thereof;

FIG. 7 is a top view thereof; and,

FIG. 8 is a bottom view thereof.

In the drawings, the claimed design is defined by the shaded surfaces. The broken lines in the drawings represent portions of the aircraft that form no part of the claimed design.

1 Claim, 8 Drawing Sheets



(56)

References Cited

U.S. PATENT DOCUMENTS

9,505,484 B1 * 11/2016 Al-Sabah B64C 3/38
9,562,773 B2 * 2/2017 Paduano G01C 21/20
D795,160 S * 8/2017 Koppenwallner D12/343
D799,402 S * 10/2017 Cummings D12/327
D807,273 S * 1/2018 Koppenwallner D12/337
D808,328 S * 1/2018 Ivans D12/328
D809,448 S * 2/2018 Schmiderer D12/344
D810,621 S * 2/2018 Sadek D12/16.1
D813,143 S * 3/2018 Belik D12/326
D822,579 S * 7/2018 Lienhard D12/328
D824,321 S * 7/2018 Ivans D12/327
D829,633 S * 10/2018 Cummings D12/337
D832,141 S * 10/2018 Ferner D12/16.1
D833,364 S * 11/2018 Schmiderer D12/344
D844,537 S * 4/2019 MacAndrew D12/319
D845,169 S * 4/2019 Cui D12/16.1
10,252,815 B2 * 4/2019 Murugappan B64D 45/00
D850,357 S * 6/2019 Cummings D12/326
2017/0003690 A1 * 1/2017 Tanahashi G05D 1/0011
2018/0079503 A1 * 3/2018 Ivans B64D 35/08

* cited by examiner

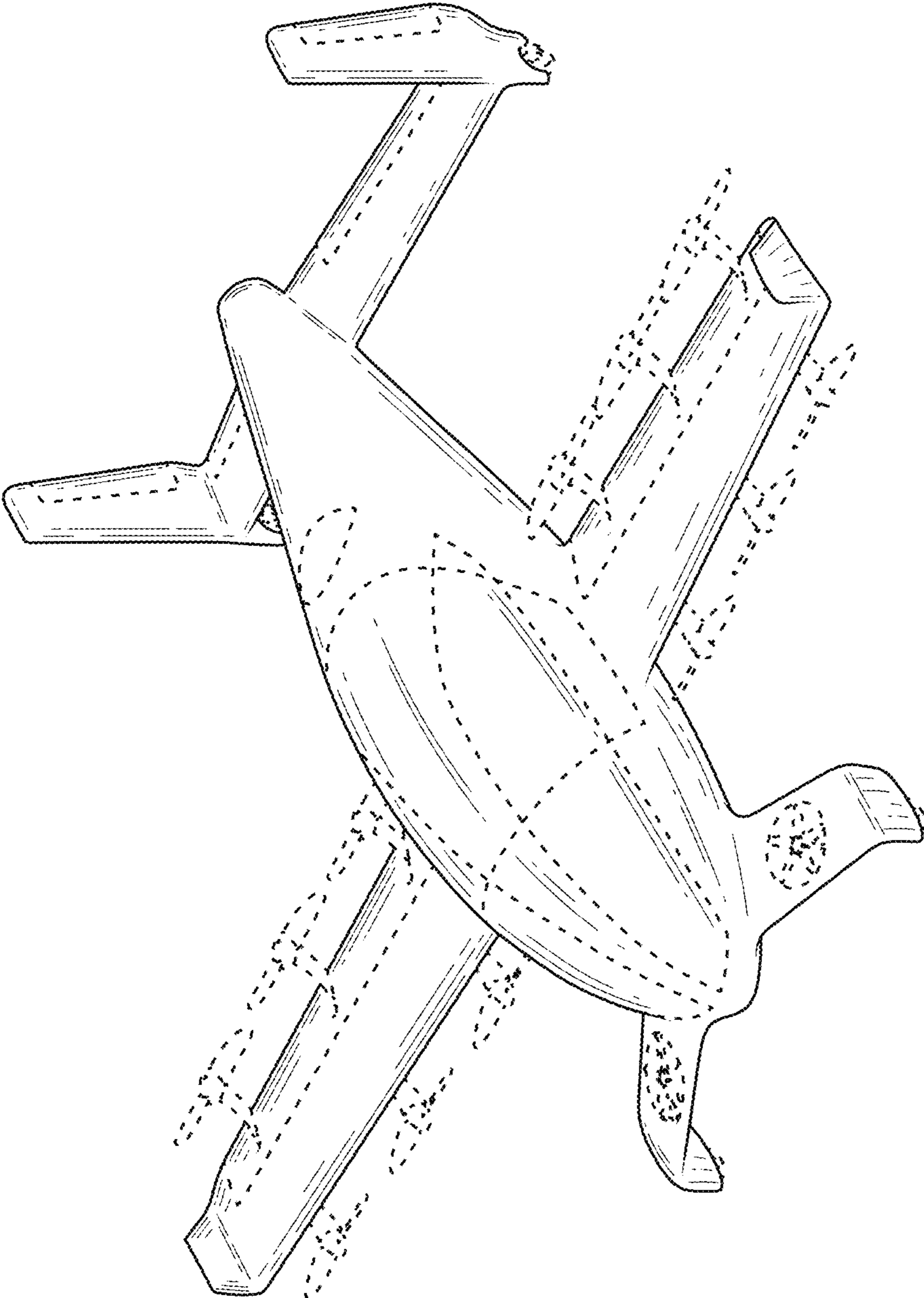


FIG. 1

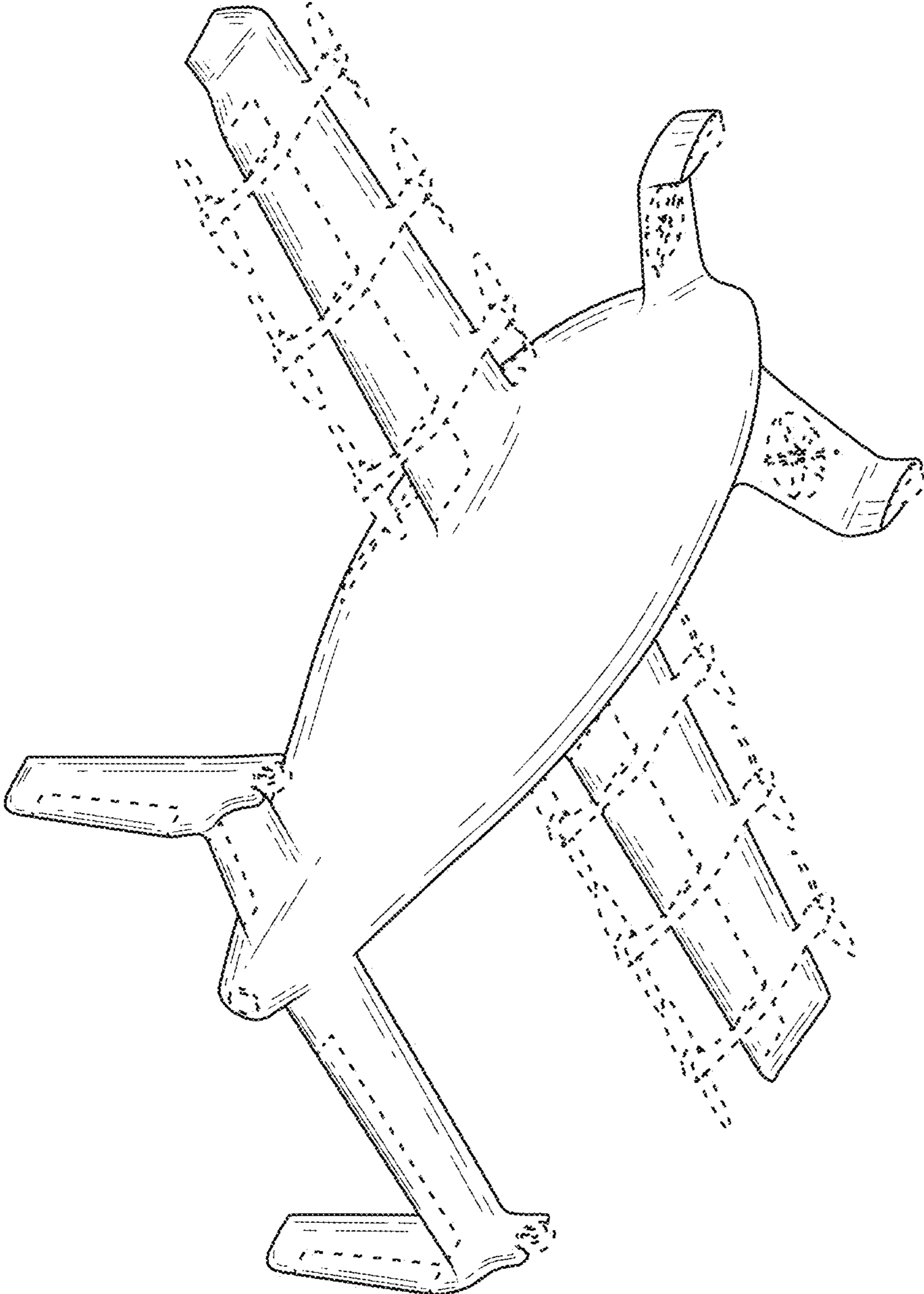


FIG. 2

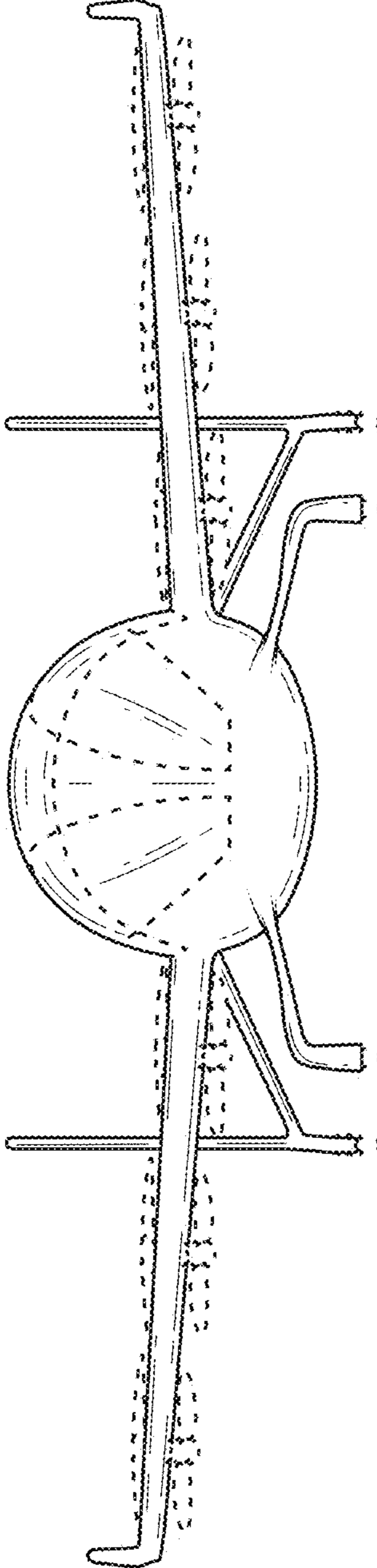


FIG. 3

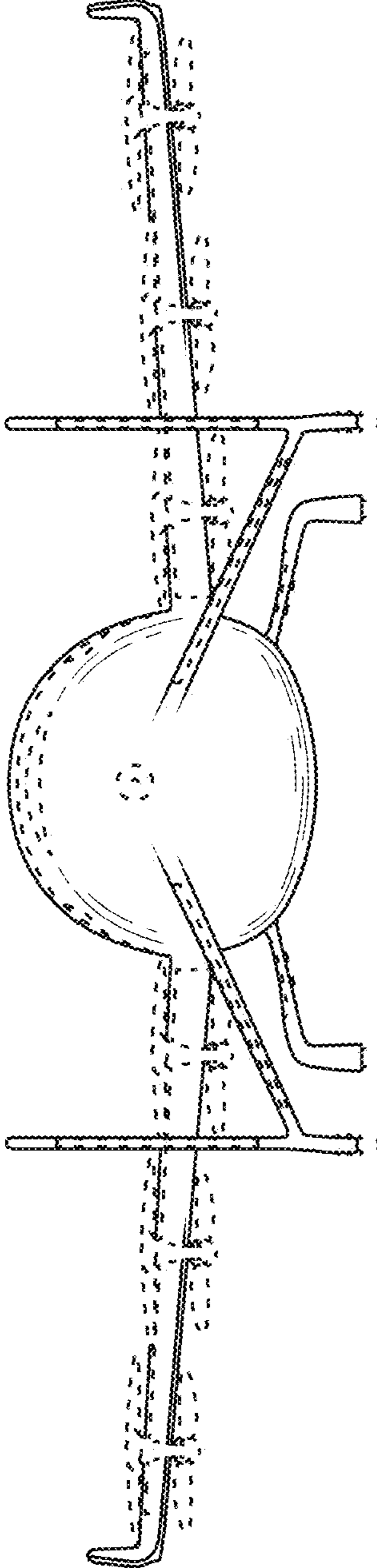


FIG. 4

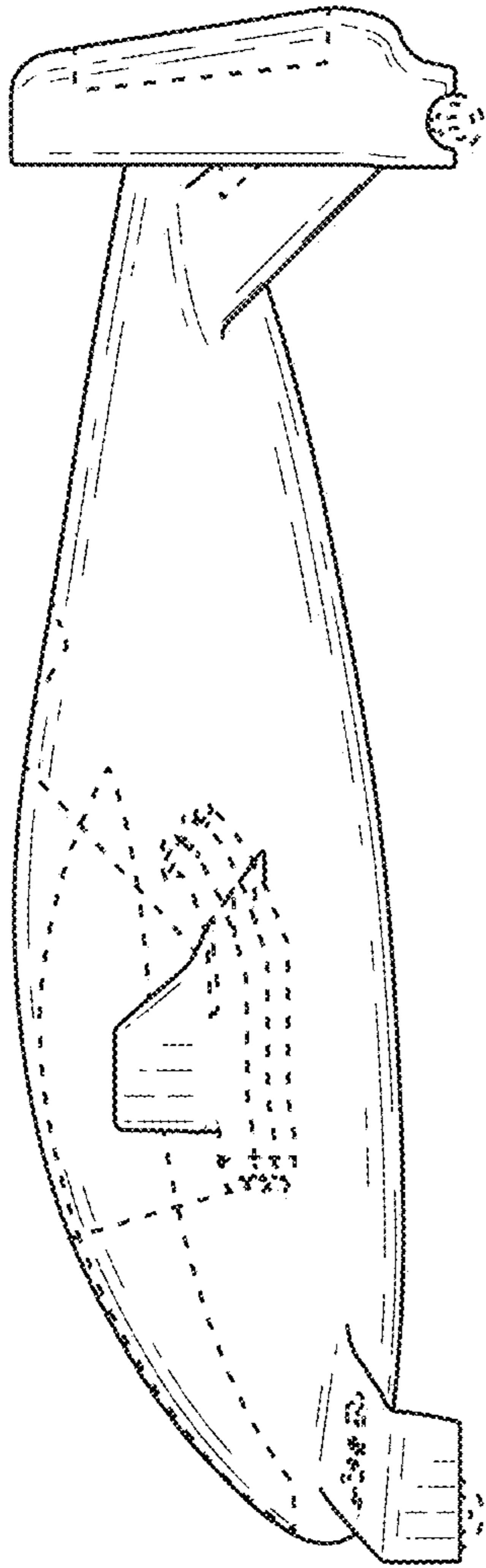


FIG. 5

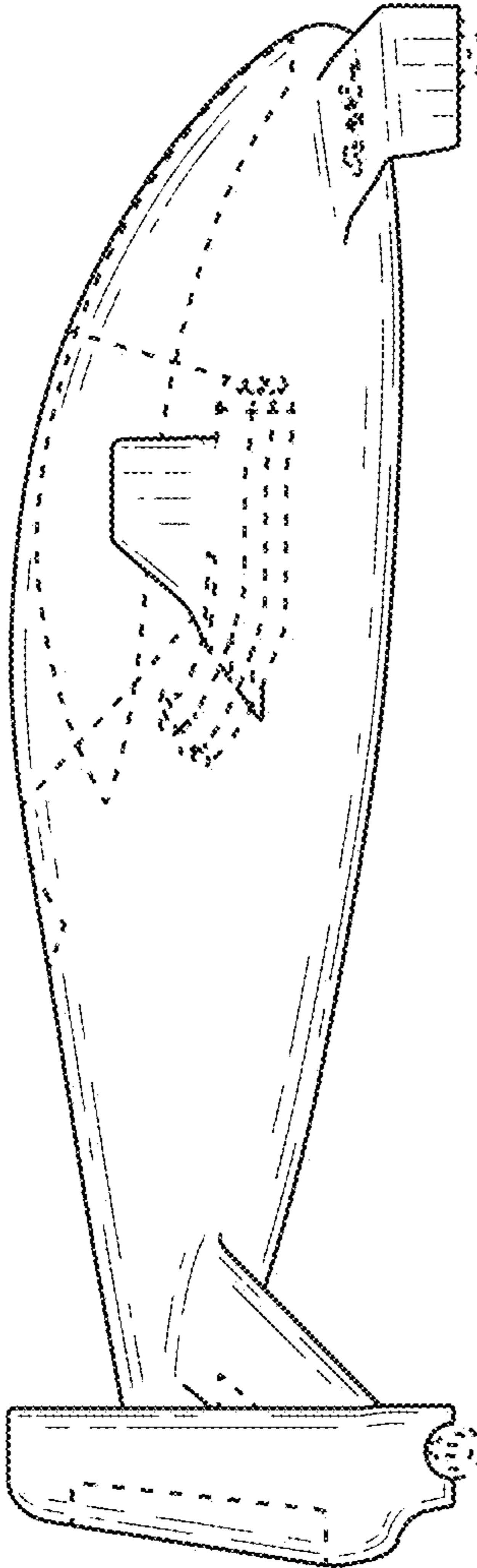


FIG. 6

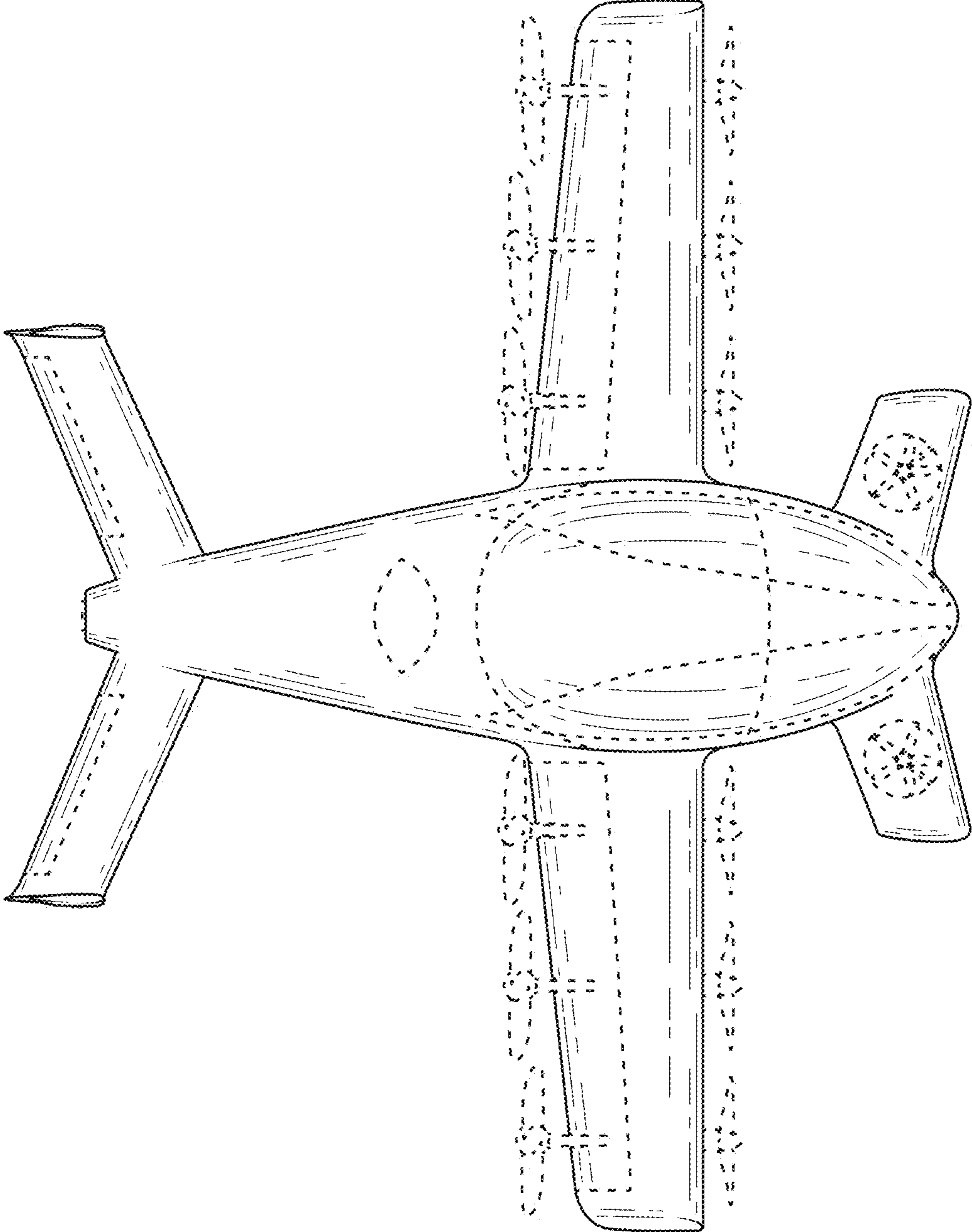


FIG. 7

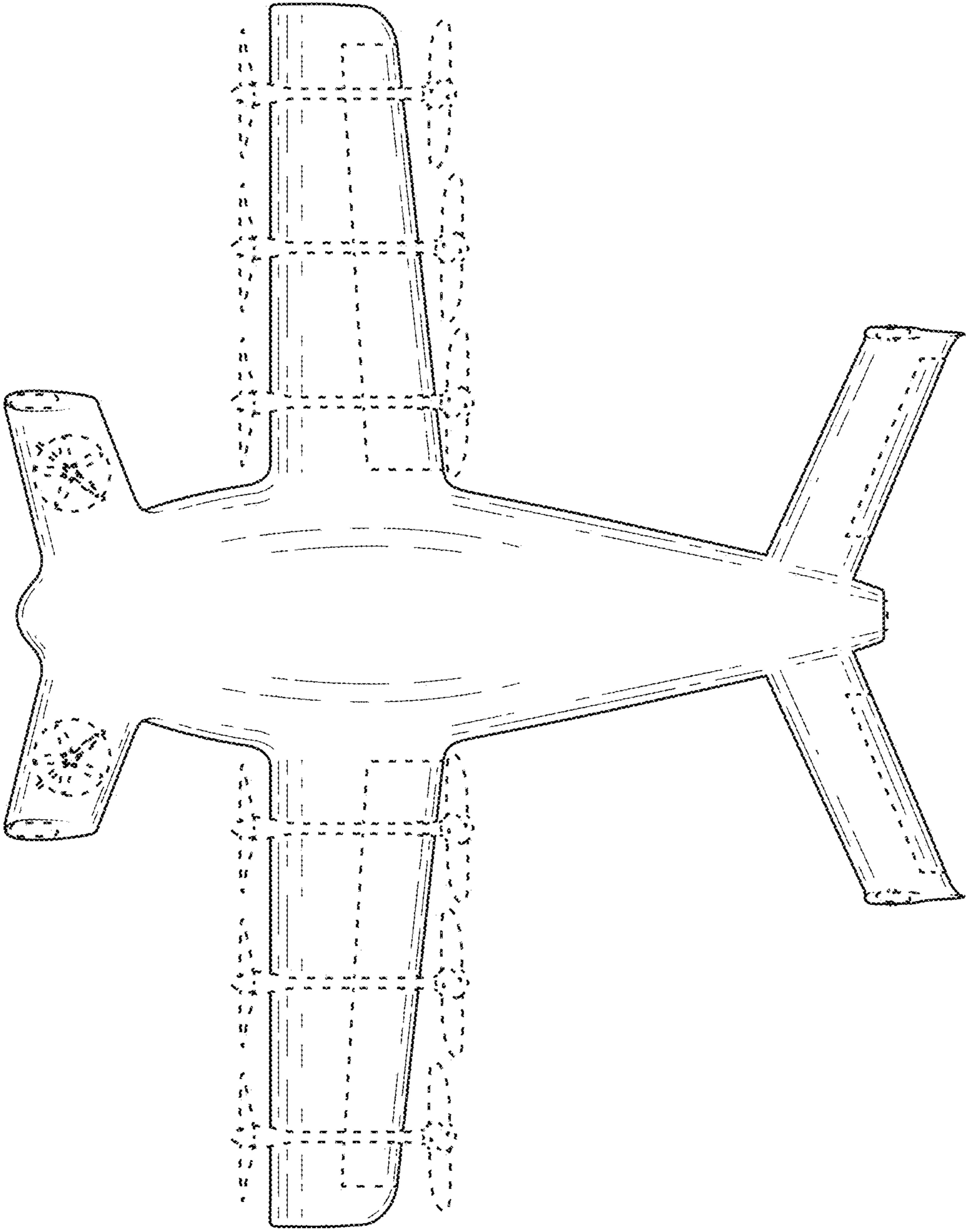


FIG. 8