



US00D873200S

(12) **United States Design Patent** (10) **Patent No.:** **US D873,200 S**  
**Langford, III et al.** (45) **Date of Patent:** **\*\* \*Jan. 21, 2020**

- (54) **AIRCRAFT**
- (71) Applicant: **Aurora Flight Sciences Corporation**,  
Manassas, VA (US)
- (72) Inventors: **John S. Langford, III**, Falls Church,  
VA (US); **Brian M. Yutko**, Somerville,  
MA (US)
- (73) Assignee: **The Boeing Company**, Chicago, IL  
(US)
- (\*) Notice: This patent is subject to a terminal dis-  
claimer.
- (\*\*) Term: **15 Years**
- (21) Appl. No.: **29/656,630**
- (22) Filed: **Jul. 13, 2018**
- (51) **LOC (12) Cl.** ..... **12-07**
- (52) **U.S. Cl.**  
USPC ..... **D12/319**
- (58) **Field of Classification Search**  
USPC ..... D12/1-4, 16.1, 319-345; D21/436-454  
CPC ..... B64C 39/024; B64C 13/16; B64C 19/00;  
B64C 2201/021; B64C 2201/141; B60H  
1/3442  
See application file for complete search history.

- 8,622,334 B2 \* 1/2014 Drela ..... B64C 21/06  
244/1 N
  - 8,721,383 B2 \* 5/2014 Woodworth ..... B64C 15/00  
244/12.4
  - D712,310 S \* 9/2014 Gundlach ..... D12/16.1
  - D725,576 S \* 3/2015 Vickers ..... D12/3
  - 9,010,683 B2 \* 4/2015 Gundlach ..... B64C 25/68  
244/110 C
  - D732,458 S \* 6/2015 Dutertre ..... D12/319
  - D736,140 S \* 8/2015 Moller ..... D12/326
  - D739,807 S \* 9/2015 Strand ..... D12/324
  - D763,733 S \* 8/2016 Gattelli ..... D12/16.1
  - 9,475,579 B2 \* 10/2016 Fredericks ..... B64C 25/52
- (Continued)

**OTHER PUBLICATIONS**

Aurora Flight Services. by Boeing. dated 2019 . found online [Oct. 23, 2019] <https://www.aurora.aero/>.\*

*Primary Examiner* — Marissa J Cash  
(74) *Attorney, Agent, or Firm* — Dascenzo Intellectual Property Law, P.C.

(57) **CLAIM**

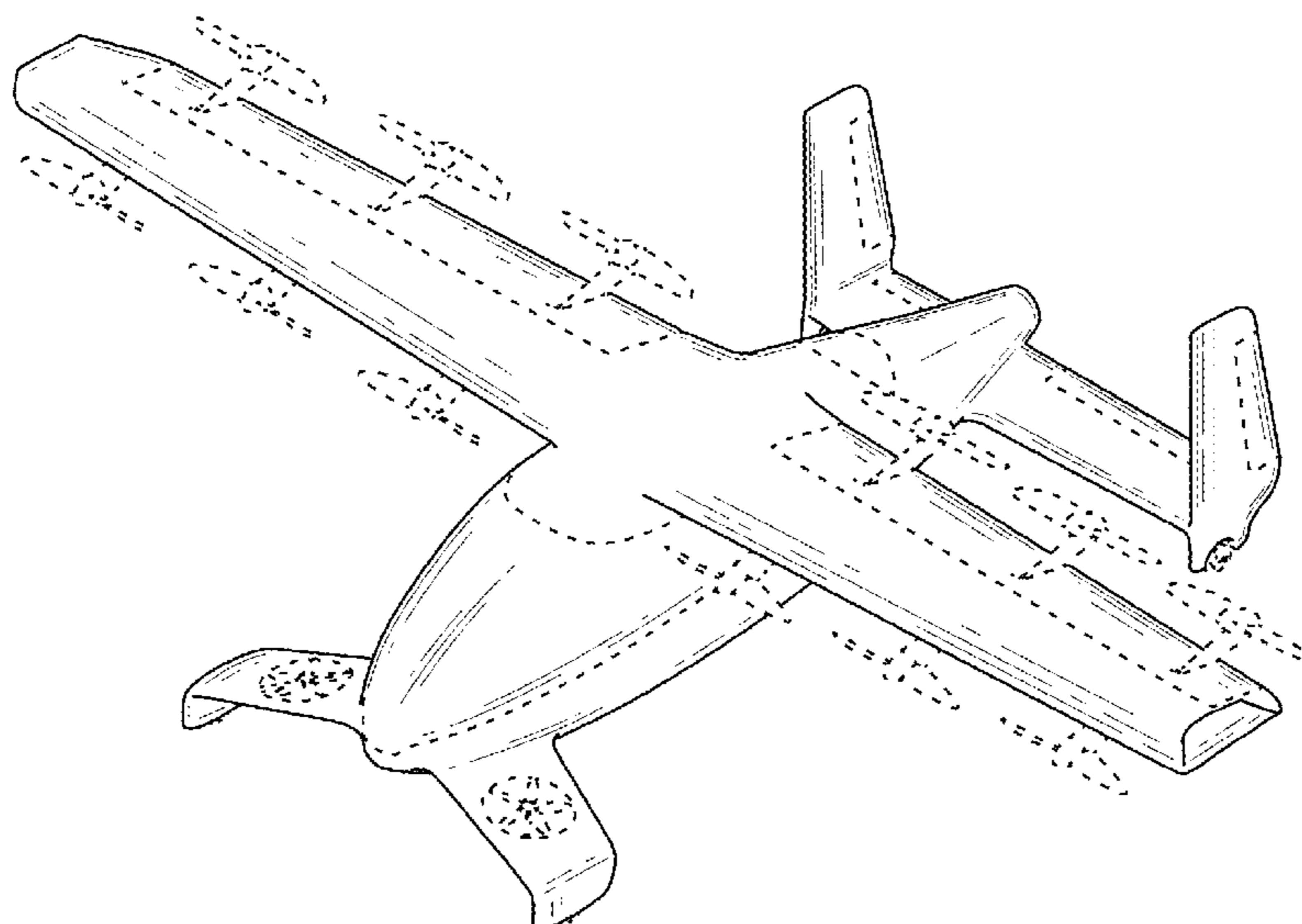
The ornamental design for an aircraft, as shown and described.

**DESCRIPTION**

FIG. 1 is an isometric view of an aircraft showing the new design;  
FIG. 2 is another isometric view thereof;  
FIG. 3 is a front view thereof;  
FIG. 4 is a rear view thereof;  
FIG. 5 is a left side view thereof;  
FIG. 6 is a right side view thereof;  
FIG. 7 is a top view thereof; and,  
FIG. 8 is a bottom view thereof.  
In the drawings, the claimed design is defined by the shaded surfaces. The broken lines in the drawings represent portions of the aircraft that form no part of the claimed design.

**1 Claim, 8 Drawing Sheets**

- (56) **References Cited**  
U.S. PATENT DOCUMENTS  
D210,809 S \* 4/1968 Stearman ..... D12/335  
D277,976 S \* 3/1985 Holloway ..... D12/16.1  
4,739,957 A \* 4/1988 Vess ..... B64C 9/34  
244/199.1  
D616,804 S \* 6/2010 Manley ..... D12/319  
D628,528 S \* 12/2010 Cabezas Carrasco ..... D12/319  
D630,996 S \* 1/2011 Gall ..... D12/319  
D642,968 S \* 8/2011 Zhao ..... D12/344  
D651,156 S \* 12/2011 Gundlach ..... D12/319  
D691,547 S \* 10/2013 Hall ..... D12/319



(56)

References Cited

U.S. PATENT DOCUMENTS

9,505,484 B1 \* 11/2016 Al-Sabah ..... B64C 3/38  
9,562,773 B2 \* 2/2017 Paduano ..... G01C 21/20  
D795,160 S \* 8/2017 Koppenwallner ..... D12/343  
D799,402 S \* 10/2017 Cummings ..... D12/327  
D807,273 S \* 1/2018 Koppenwallner ..... D12/337  
D808,328 S \* 1/2018 Ivans ..... D12/328  
D809,448 S \* 2/2018 Schmiderer ..... D12/344  
D810,621 S \* 2/2018 Sadek ..... D12/16.1  
D813,143 S \* 3/2018 Belik ..... D12/326  
D822,579 S \* 7/2018 Lienhard ..... D12/328  
D824,321 S \* 7/2018 Ivans ..... D12/327  
D829,633 S \* 10/2018 Cummings ..... D12/337  
D832,141 S \* 10/2018 Ferner ..... D12/16.1  
D833,364 S \* 11/2018 Schmiderer ..... D12/344  
D844,537 S \* 4/2019 MacAndrew ..... D12/319  
D845,169 S \* 4/2019 Cui ..... D12/16.1  
10,252,815 B2 \* 4/2019 Murugappan ..... B64D 45/00  
D850,357 S \* 6/2019 Cummings ..... D12/326  
2017/0003690 A1 \* 1/2017 Tanahashi ..... G05D 1/0011  
2018/0079503 A1 \* 3/2018 Ivans ..... B64D 35/08

\* cited by examiner

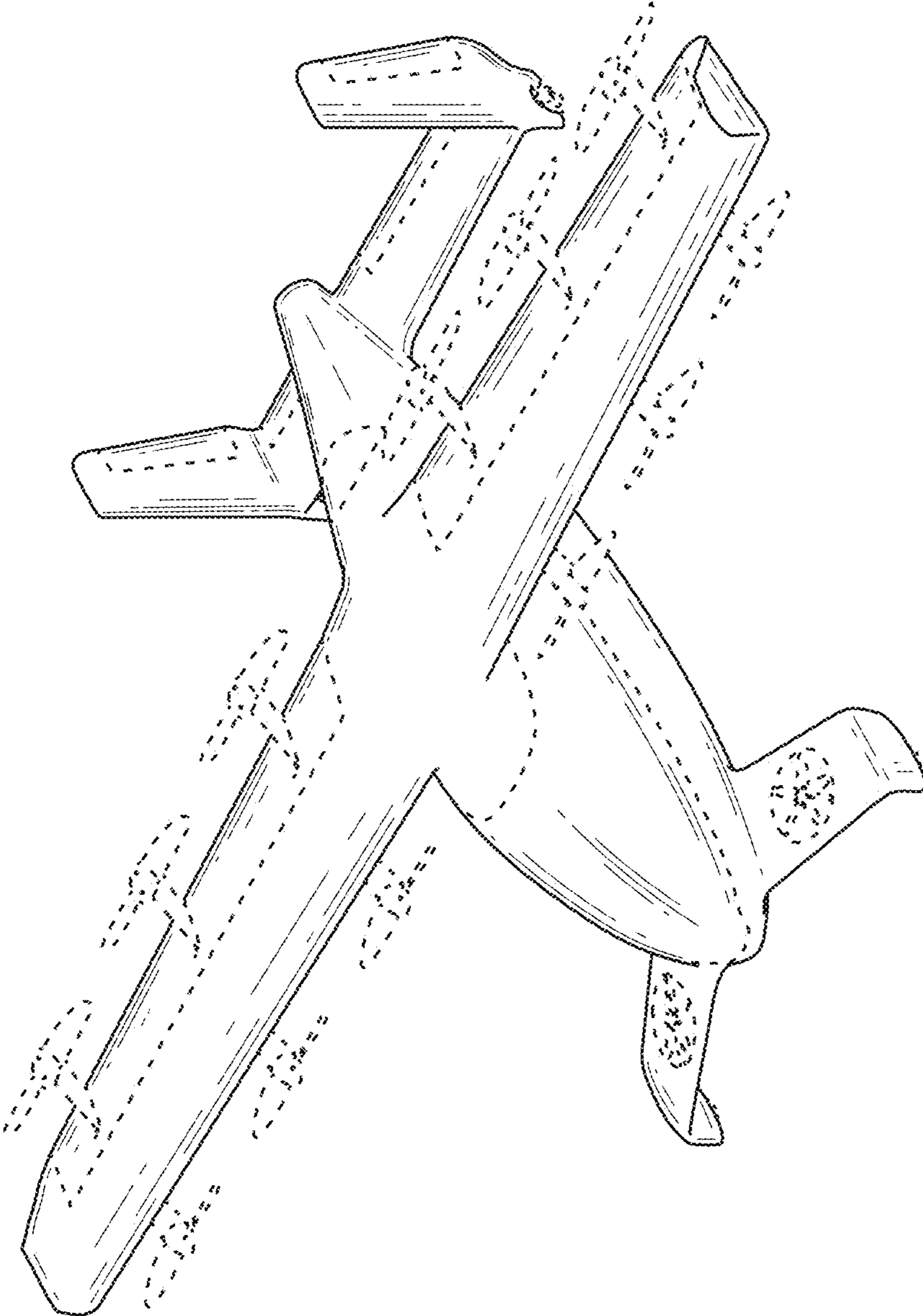


FIG. 1

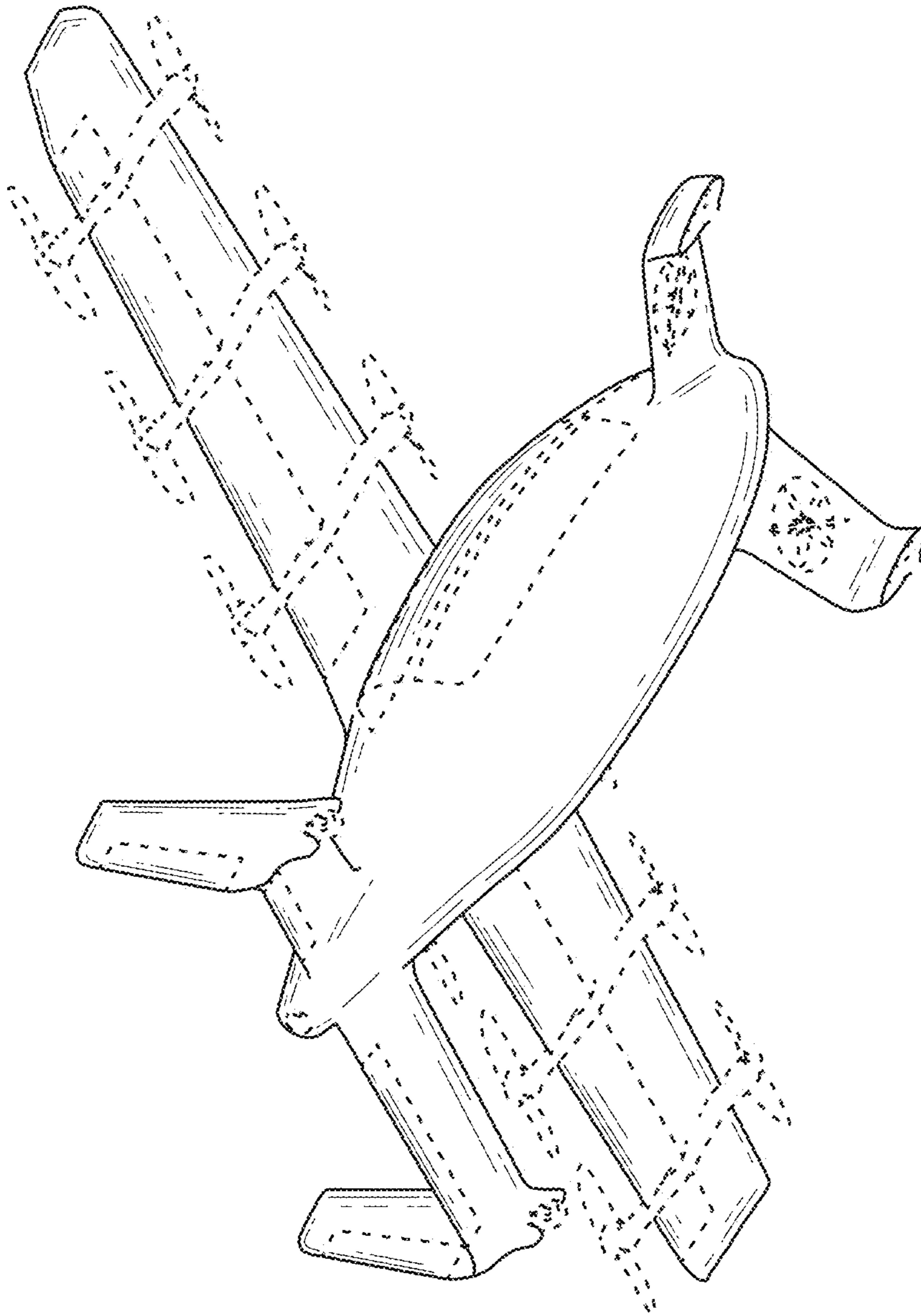


FIG. 2



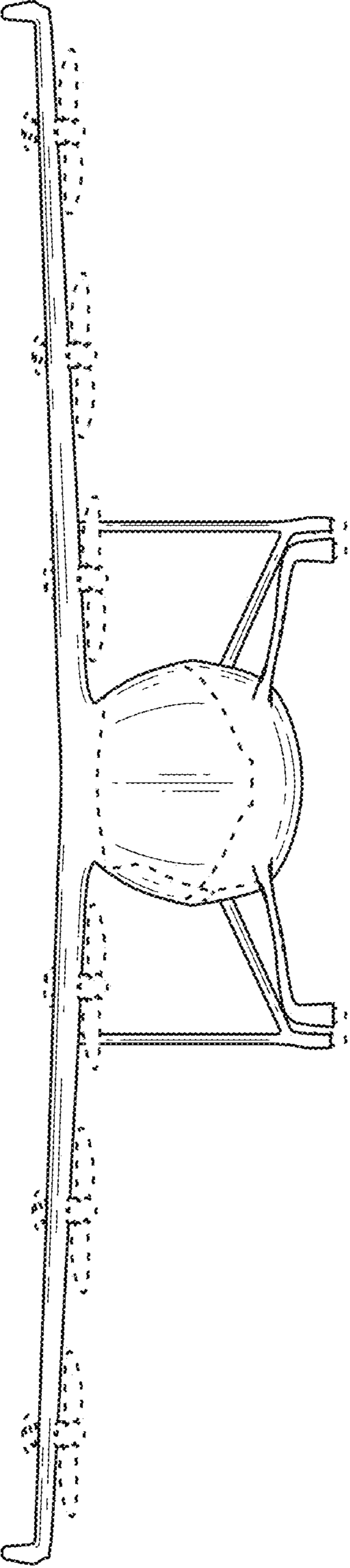


FIG. 3

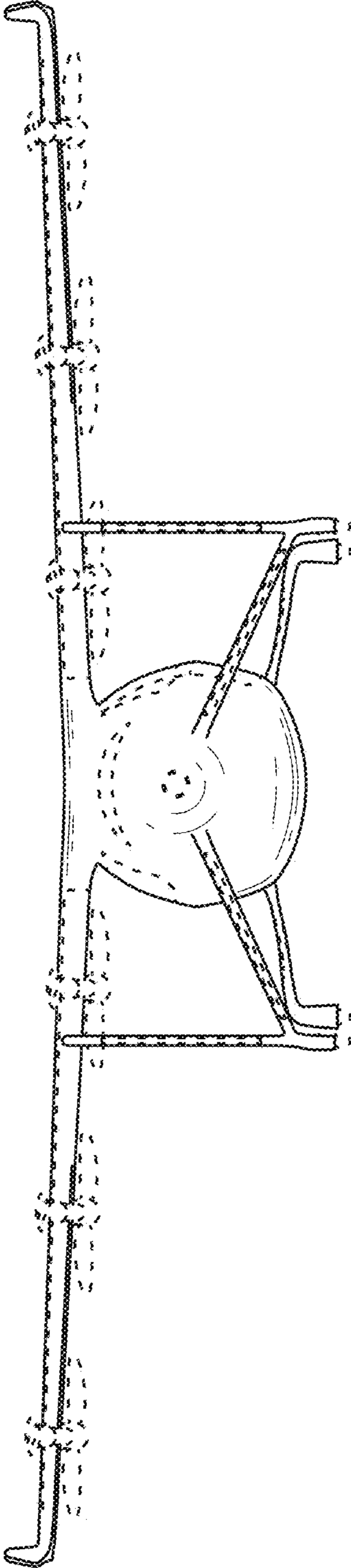


FIG. 4

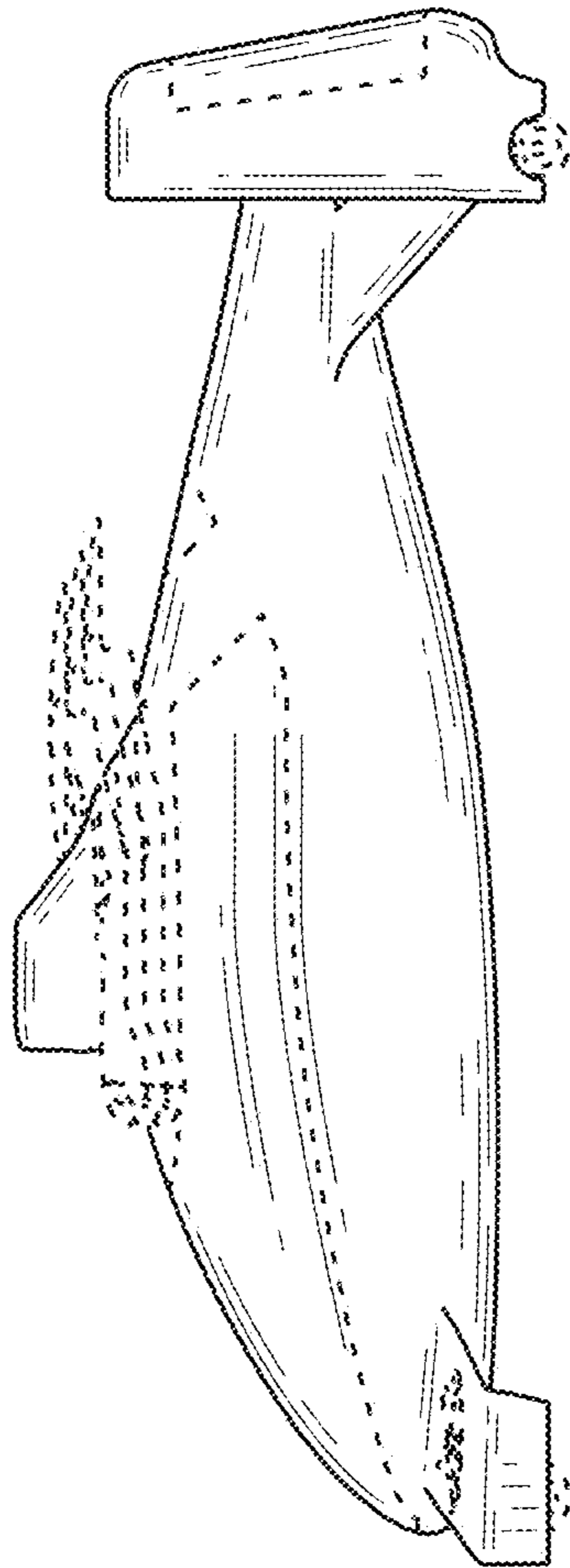


FIG. 5

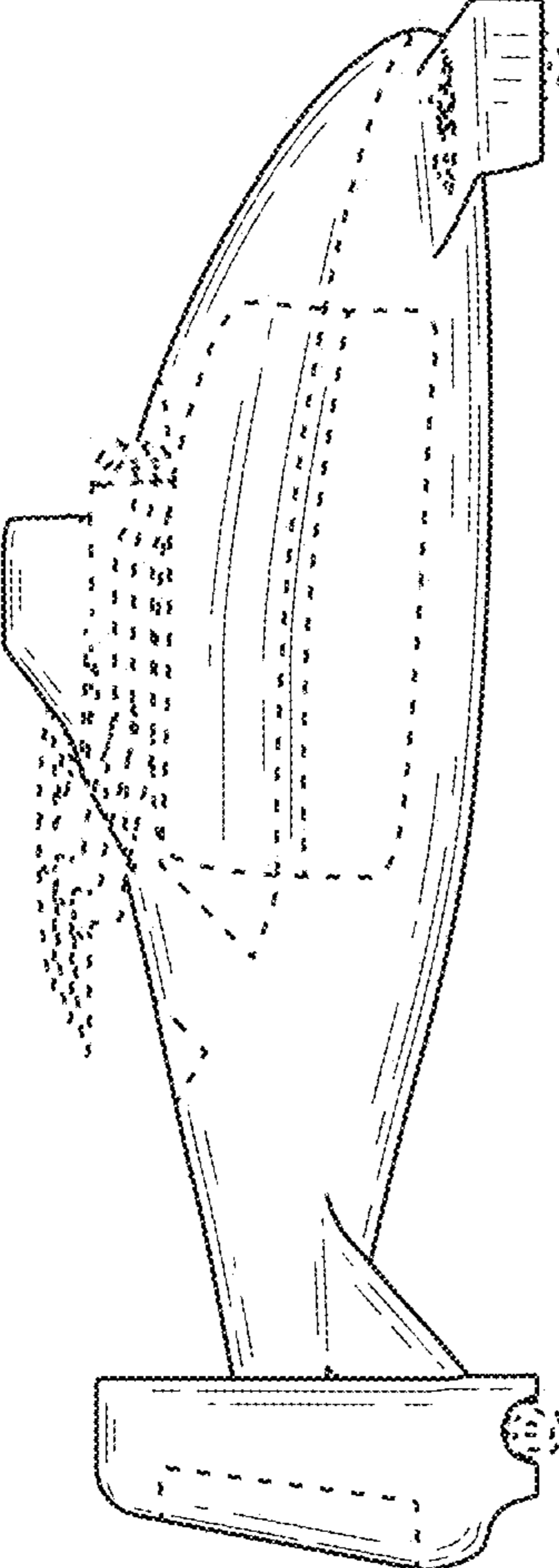


FIG. 6



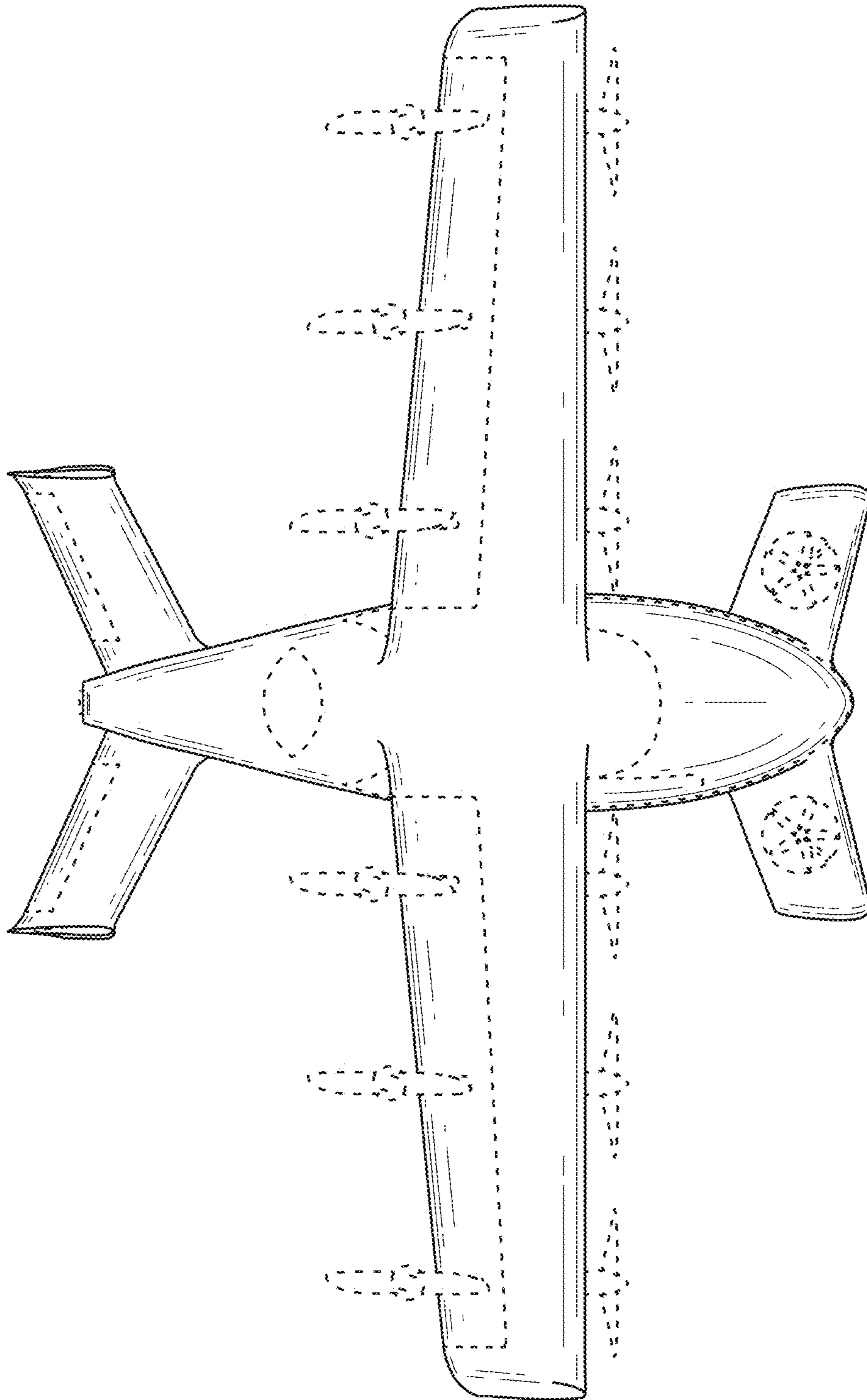


FIG. 7

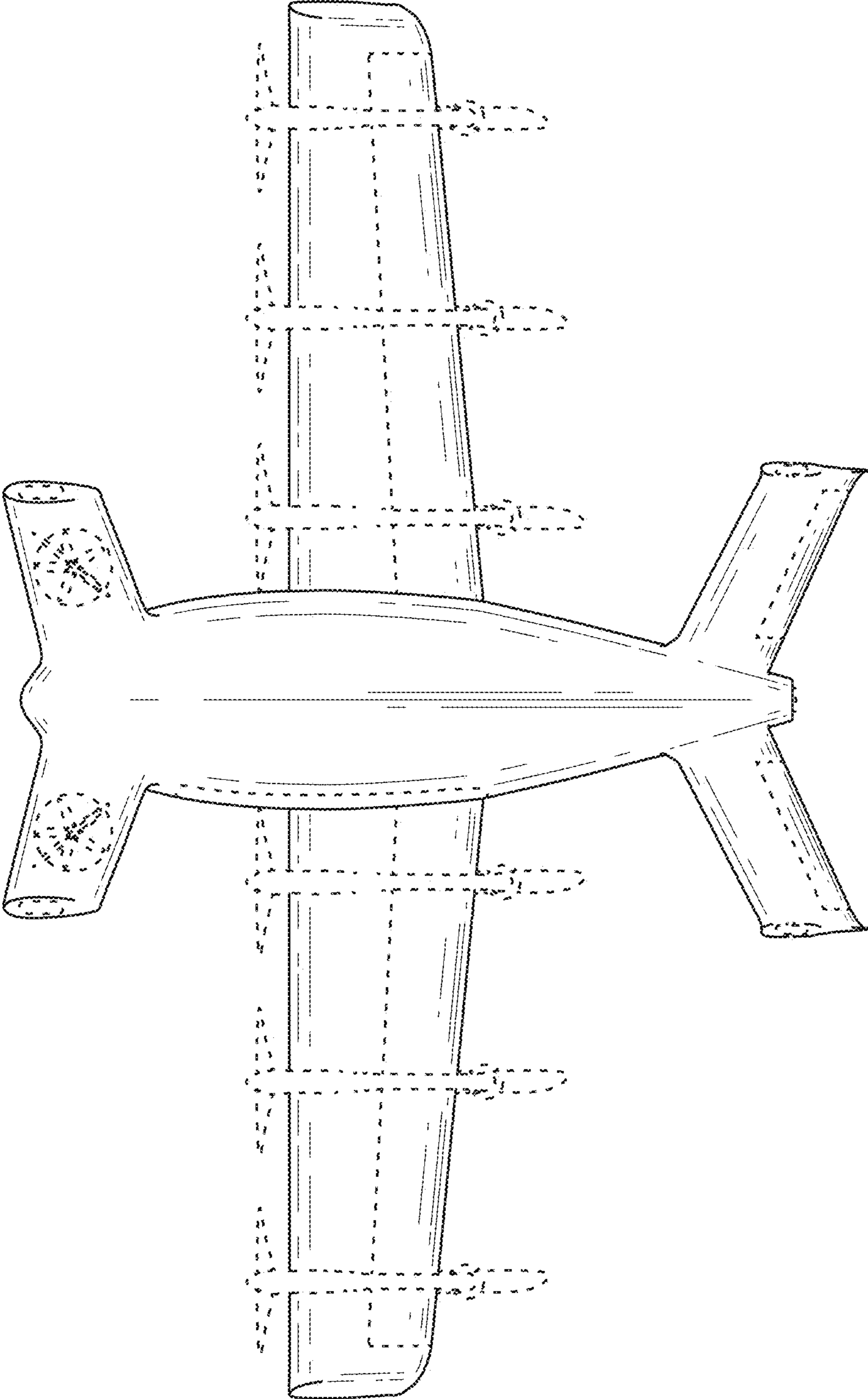


FIG. 8