



US00D873194S

(12) **United States Design Patent**  
**Tandog et al.**

(10) **Patent No.:** **US D873,194 S**  
(45) **Date of Patent:** **\*\* Jan. 21, 2020**

- (54) **HUB SYSTEM FOR BICYCLE WHEEL**
- (71) Applicant: **TwoPointZero USA, Inc.**, Los Angeles, CA (US)
- (72) Inventors: **Ray Tandog**, Glendale, CA (US); **Lynn Perrando**, Hillsborough, CA (US)
- (73) Assignee: **TWO POINT ZERO USA, INC.**, Los Angeles, CA (US)
- (\*\*) Term: **15 Years**
- (21) Appl. No.: **29/643,921**
- (22) Filed: **Apr. 12, 2018**
- (51) **LOC (12) Cl.** ..... **12-16**
- (52) **U.S. Cl.**  
USPC ..... **D12/207**
- (58) **Field of Classification Search**  
USPC ..... D12/400, 204–213; D21/495, 561, 563, D21/763, 771, 779; D23/411, 249, 250, D23/252, 253  
CPC .... B60B 7/00; B60B 7/02; B60B 7/04; B60B 7/01; B60B 7/06; B60B 3/02; B60B 3/04; B60B 3/06; B60B 1/00; B60B 1/08; B60B 1/10; B60B 1/12; B60B 27/00; B60B 27/0047; B60B 27/0057; B60B 27/02; B60B 27/06; B60B 27/065; B60B 17/0027; B60B 2340/34; B60B 7/0013  
See application file for complete search history.

- (56) **References Cited**  
U.S. PATENT DOCUMENTS  
D281,155 S \* 10/1985 Scura ..... D12/207  
D325,368 S \* 4/1992 Cha ..... D12/207  
D340,888 S \* 11/1993 Ringle ..... D12/207  
D350,088 S \* 8/1994 Inatani ..... D12/207  
D350,922 S \* 9/1994 Inatani ..... D12/207  
D365,310 S \* 12/1995 Chen ..... D12/207  
D402,948 S \* 12/1998 Nishimura ..... D12/180

- D430,093 S \* 8/2000 Muraoka ..... D12/207
- D440,533 S \* 4/2001 Muraoka ..... D12/207
- D476,925 S \* 7/2003 Bethlenfalvy ..... D12/126
- D539,718 S \* 4/2007 Asano ..... D12/207
- D579,844 S \* 11/2008 Hed ..... D12/207
- 8,176,631 B2 \* 5/2012 Hsieh ..... B60B 27/0078 29/894
- D721,315 S \* 1/2015 Delavy ..... D12/207
- D753,040 S \* 4/2016 Lisanti ..... D12/207
- D766,799 S \* 9/2016 Lin ..... D12/207
- D766,800 S \* 9/2016 Lin ..... D12/207
- D766,801 S \* 9/2016 Lin ..... D12/207
- D768,044 S \* 10/2016 Huang ..... D12/207
- D773,973 S \* 12/2016 Lin ..... D12/207
- D791,023 S \* 7/2017 Roy ..... D12/114
- D791,667 S \* 7/2017 Prasad ..... D12/207
- D823,212 S \* 7/2018 Prasad ..... D12/207
- D844,525 S \* 4/2019 Villamizar ..... D12/207

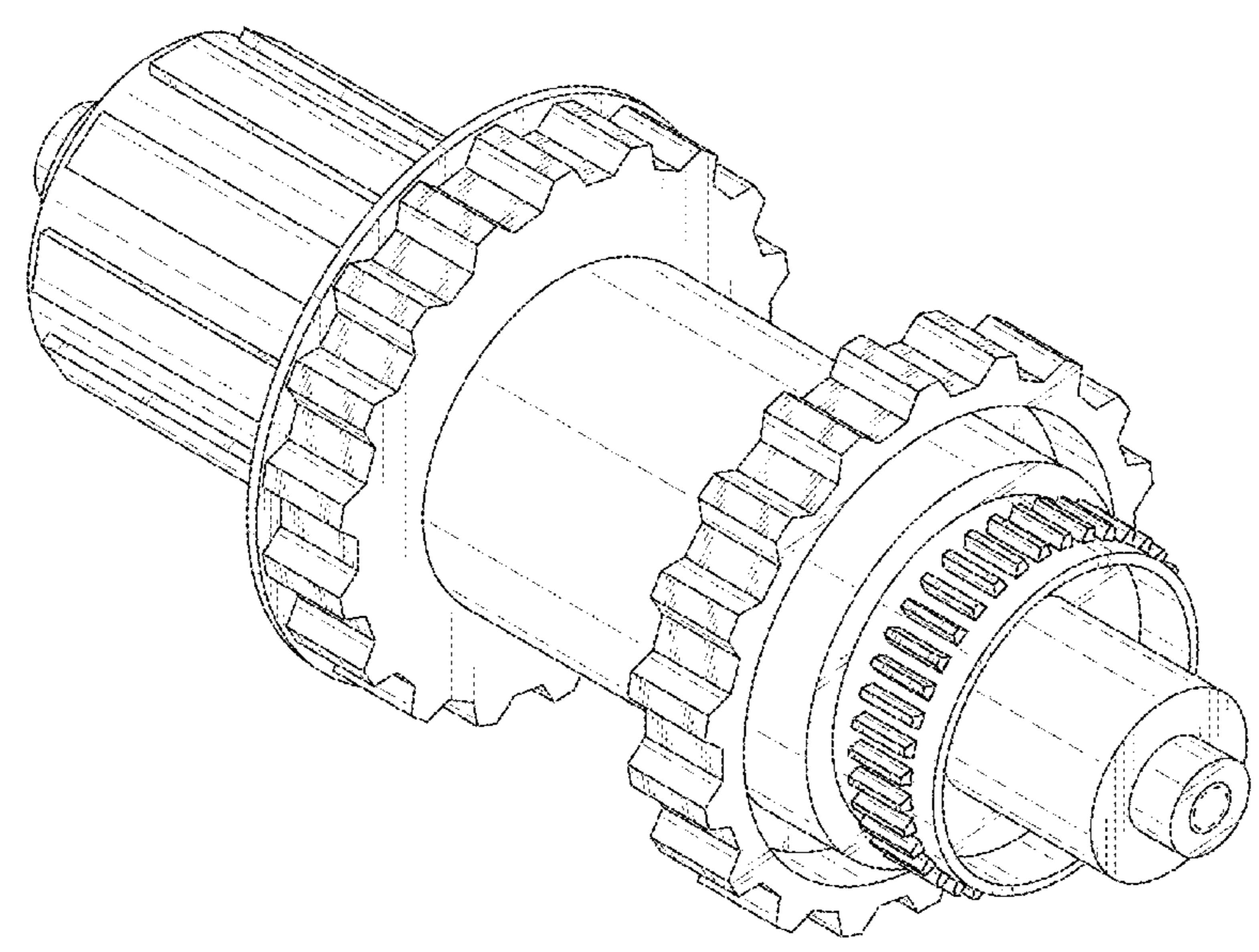
(Continued)

*Primary Examiner* — Darlington Ly  
(74) *Attorney, Agent, or Firm* — Procopio, Cory, Hargreaves & Savitch LLP

(57) **CLAIM**  
The ornamental design for a hub system for bicycle wheel, as shown and described.

**DESCRIPTION**  
FIG. 1 is a front perspective view of a hub system for bicycle wheel showing our new design;  
FIG. 2 is a front elevation view thereof;  
FIG. 3 is a rear elevation view thereof;  
FIG. 4 is a left side elevation view thereof;  
FIG. 5 is a right side elevation view thereof;  
FIG. 6 is a top plan view thereof;  
FIG. 7 is a bottom plan view thereof; and,  
FIG. 8 is an exploded perspective view thereof.  
The broken lines in the drawings illustrate portions of the hub system for bicycle wheel that form no part of the claimed design.

**1 Claim, 8 Drawing Sheets**



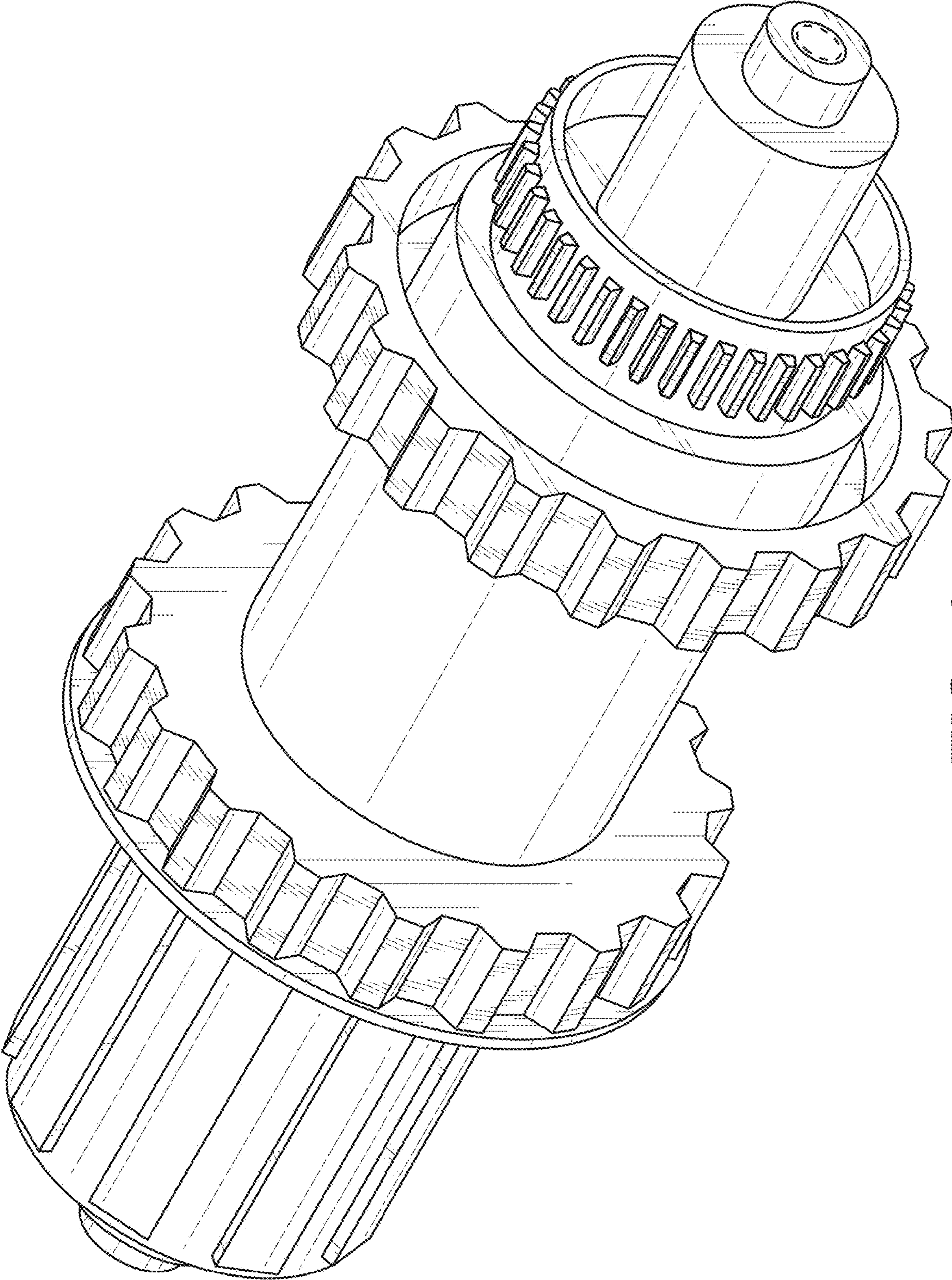
(56)

**References Cited**

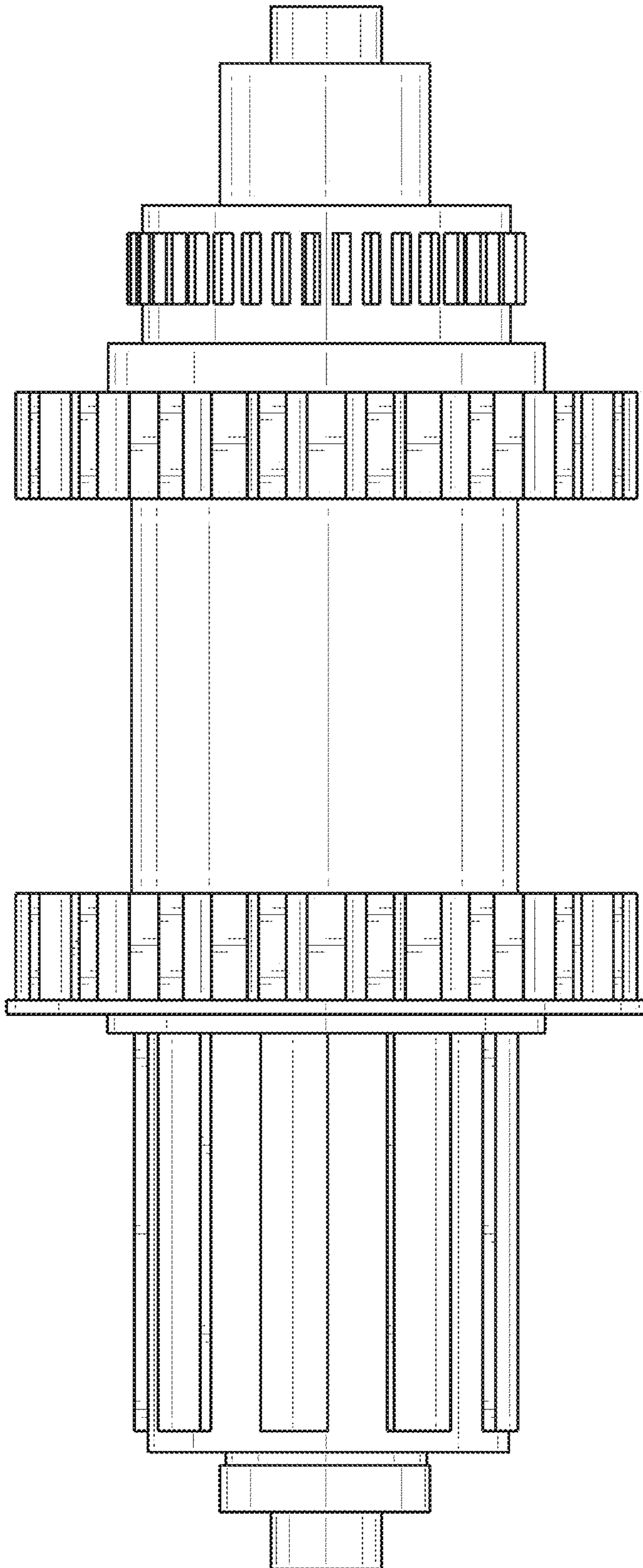
U.S. PATENT DOCUMENTS

D844,526 S \* 4/2019 Villamizar ..... D12/207  
10,308,065 B2 \* 6/2019 Biderman ..... A61B 5/222

\* cited by examiner



**FIG. 1**



**FIG. 2**

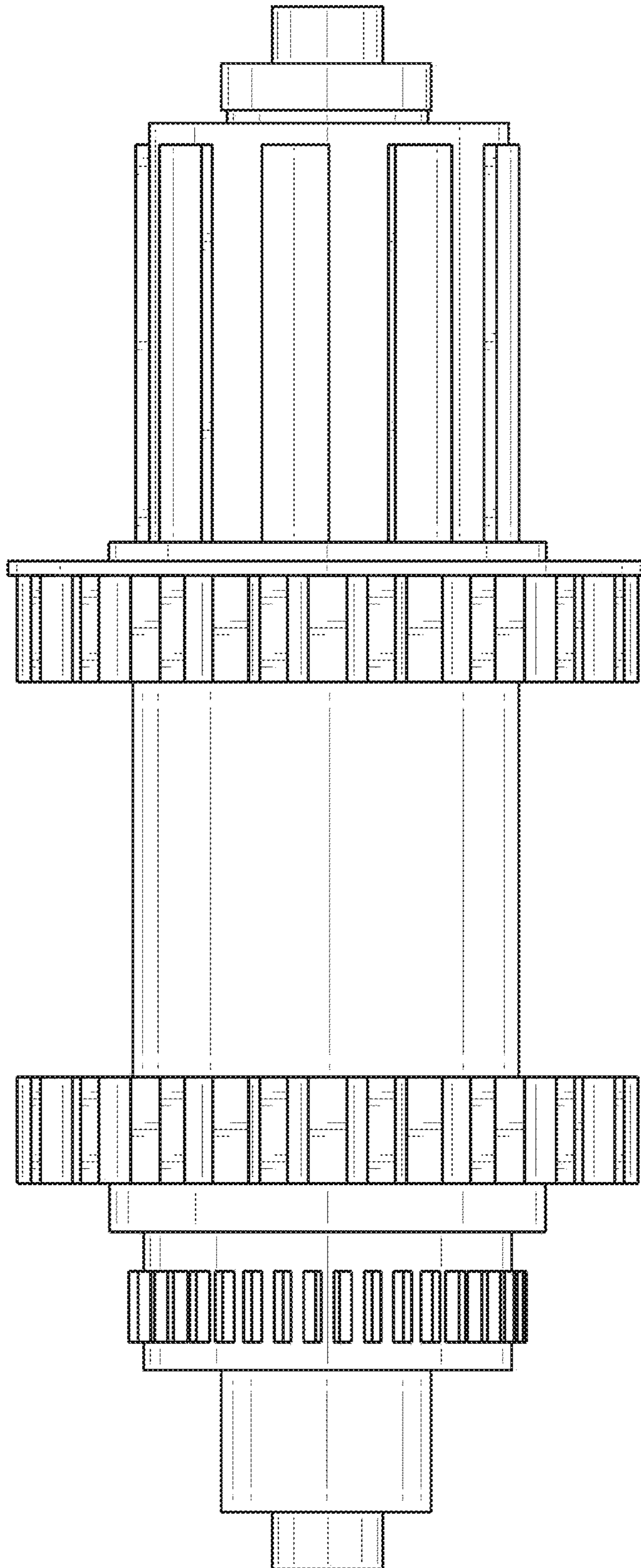
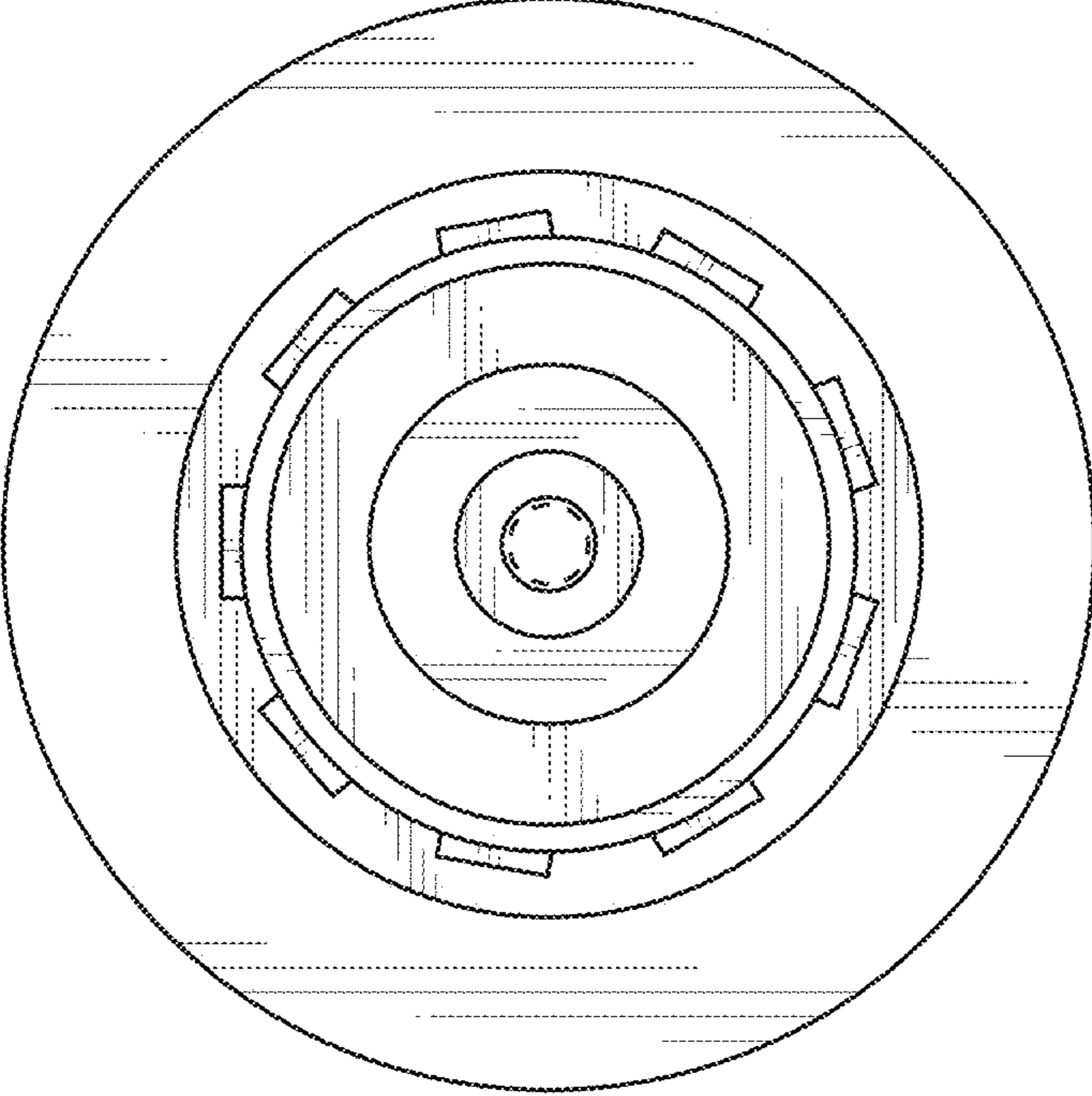
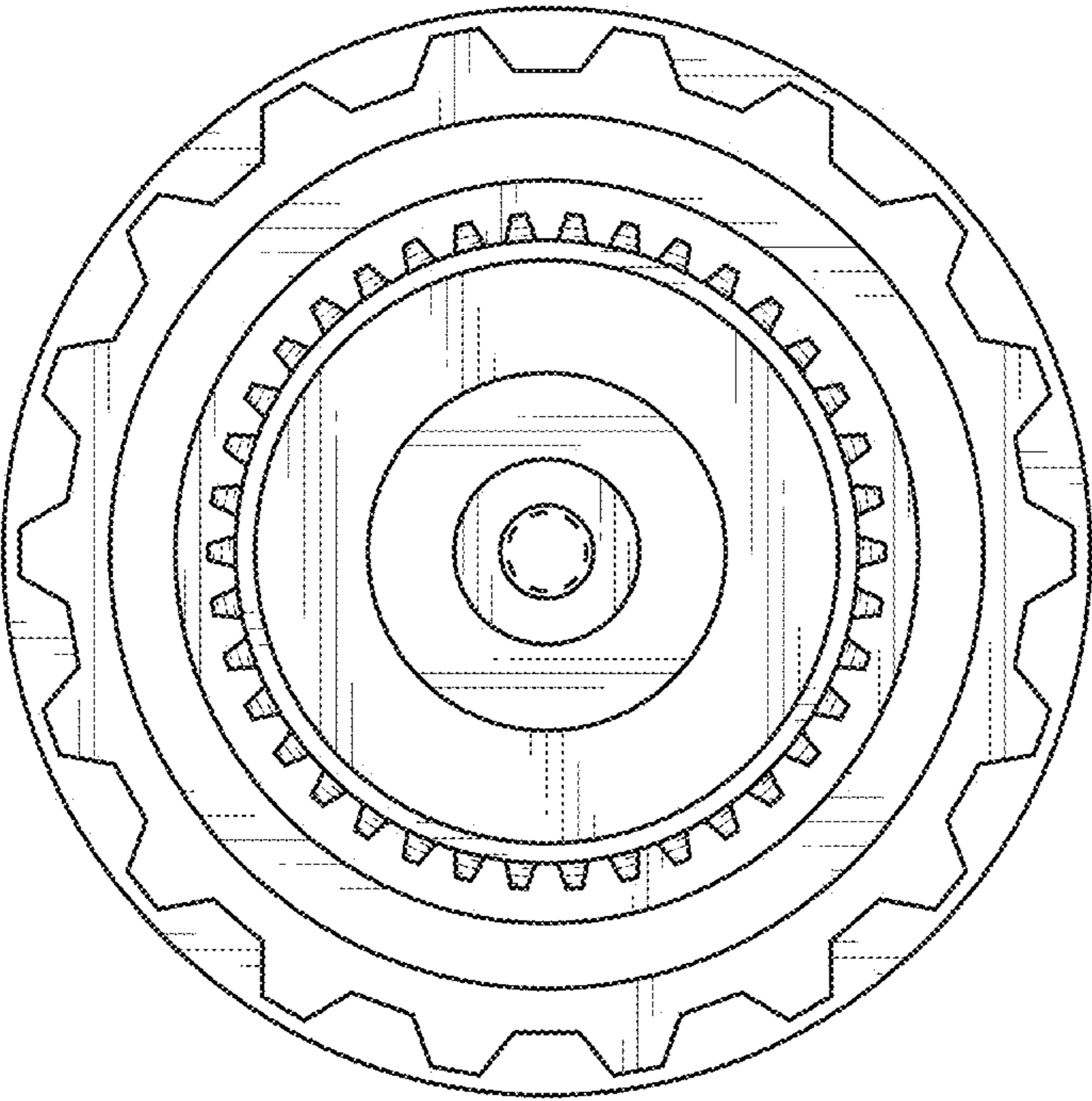


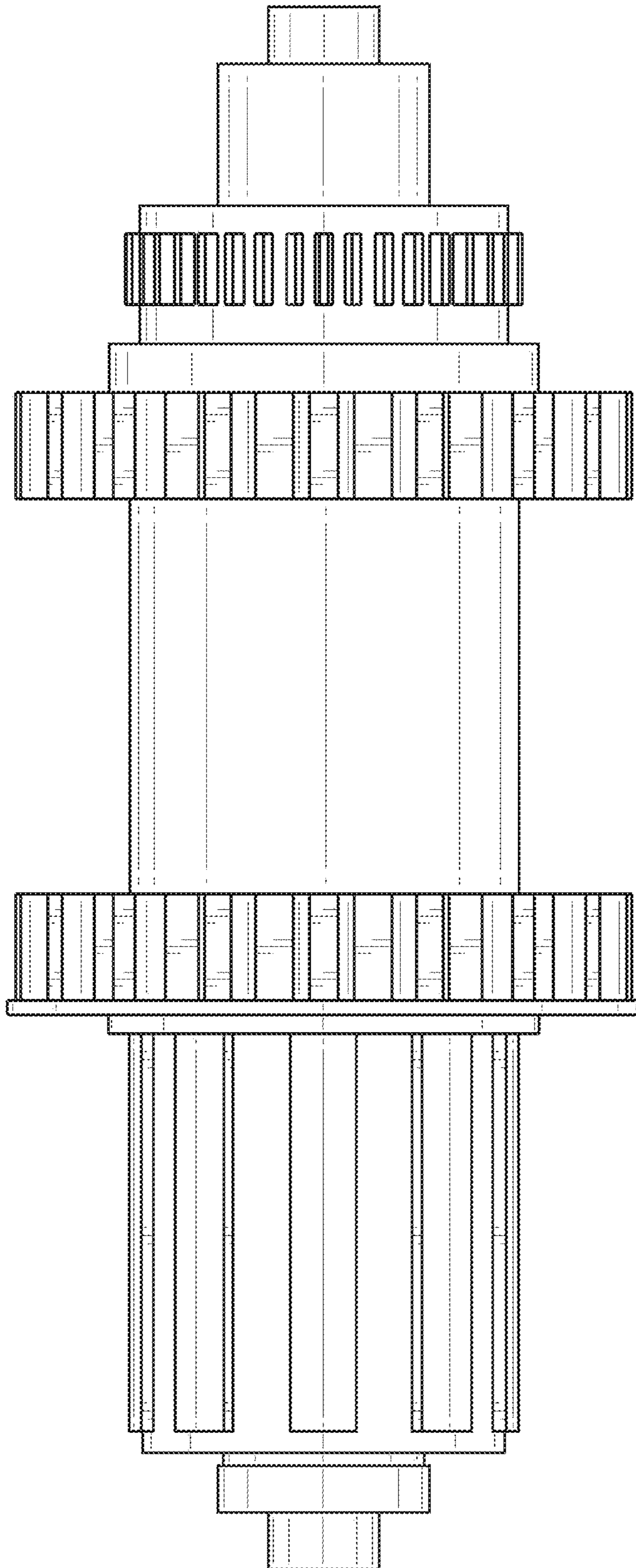
FIG. 3



**FIG. 4**

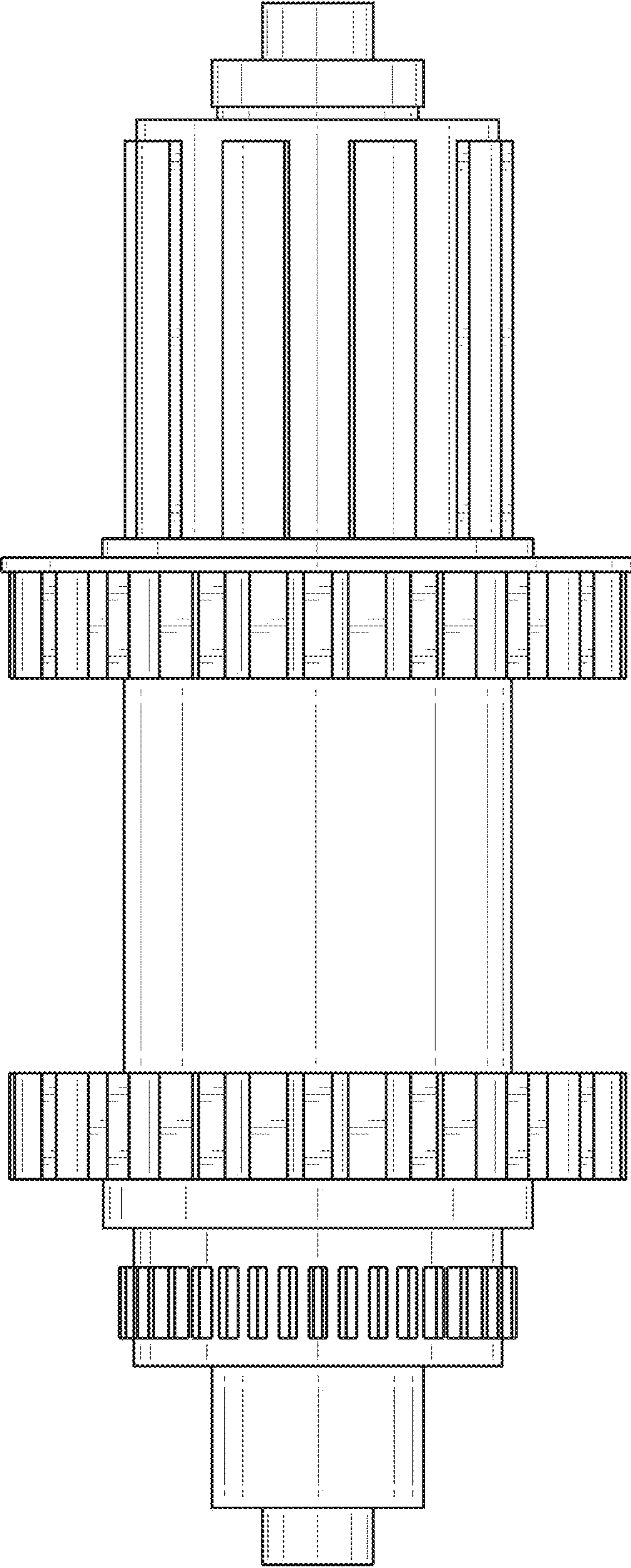


**FIG. 5**



**FIG. 6**





**FIG. 7**

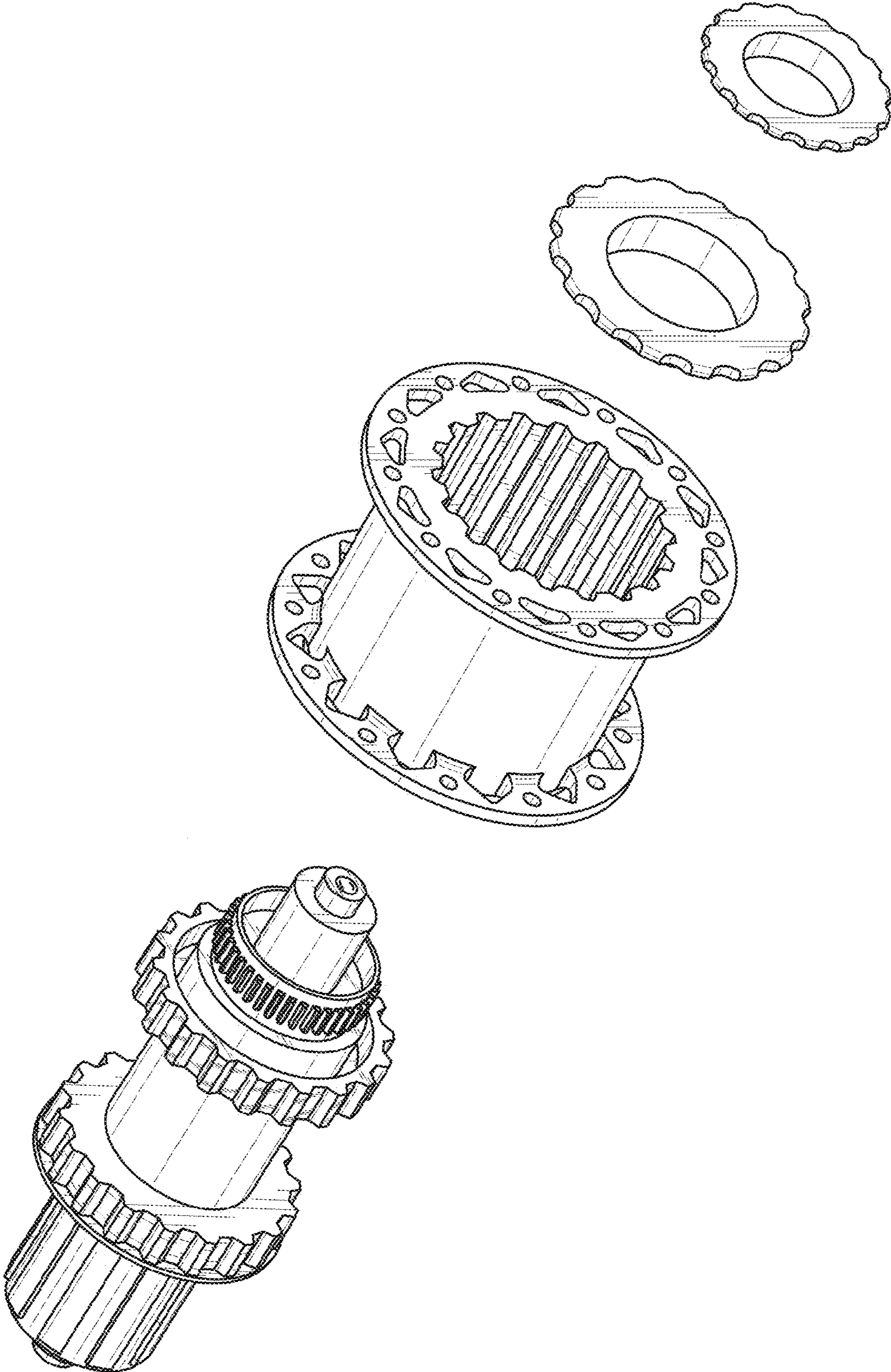


FIG. 8