



US00D873191S

(12) **United States Design Patent**  
**Schwalbe et al.**

(10) **Patent No.:** **US D873,191 S**  
(45) **Date of Patent:** **\*\* Jan. 21, 2020**

(54) **PAIR OF HEADLIGHT BEZELS FOR AGRICULTURAL PRODUCT SPRAYER**

(71) Applicant: **CNH Industrial America LLC**, New Holland, PA (US)

(72) Inventors: **Blaine A. Schwalbe**, Valders, WI (US); **Douglas Montgomery**, Downers Grove, IL (US); **Steven N. Winkel**, Kiel, WI (US); **Ross P. Christiansen**, Kiel, WI (US)

(73) Assignee: **CNH Industrial America LLC**, New Holland, PA (US)

(\*\*) Term: **15 Years**

(21) Appl. No.: **29/625,537**

(22) Filed: **Nov. 10, 2017**

(51) **LOC (12) Cl.** ..... **12-16**

(52) **U.S. Cl.**  
USPC ..... **D12/190**

(58) **Field of Classification Search**  
USPC ..... D12/190, 400, 192, 90, 91, 196, 197, D12/198, 199, 200, 171, 172, 163, 110, D12/114  
CPC ..... B60R 13/005; B60R 13/02; B60R 13/04  
See application file for complete search history.

(56) **References Cited**

U.S. PATENT DOCUMENTS

D727,220 S *	4/2015	Rupar .....	D12/163
D753,029 S *	4/2016	Talsma .....	D12/163
D783,467 S *	4/2017	Svensson .....	D12/163
D806,617 S *	1/2018	Wheel .....	D12/163
D808,316 S *	1/2018	Piscitelli .....	D12/190

D825,406 S *	8/2018	Gueler .....	D12/163
D827,509 S *	9/2018	Behmer .....	D12/163
D827,532 S *	9/2018	Maher .....	D12/190
D829,622 S *	10/2018	Jacob .....	D12/190
D829,624 S *	10/2018	Jamieson .....	D12/196
D849,616 S *	5/2019	Nurnberger .....	D12/190
D854,234 S *	7/2019	Lucas .....	D26/139
D854,992 S *	7/2019	Pollard .....	D12/190

\* cited by examiner

*Primary Examiner* — Katrina A Betton

(74) *Attorney, Agent, or Firm* — Rebecca L. Henkel; Richard K. DeMille

(57) **CLAIM**

The ornamental design for a pair of headlight bezels for agricultural product sprayer, as shown and described.

**DESCRIPTION**

FIG. 1 is an isometric view of a pair of headlight bezels for agricultural sprayer in accordance with the present invention;

FIG. 2 is a close-up isometric view of the headlight bezels of FIG. 1;

FIG. 3 is a side elevation view of a first headlight bezel of FIG. 1;

FIG. 4 is a side elevation view of a second headlight bezel of FIG. 1

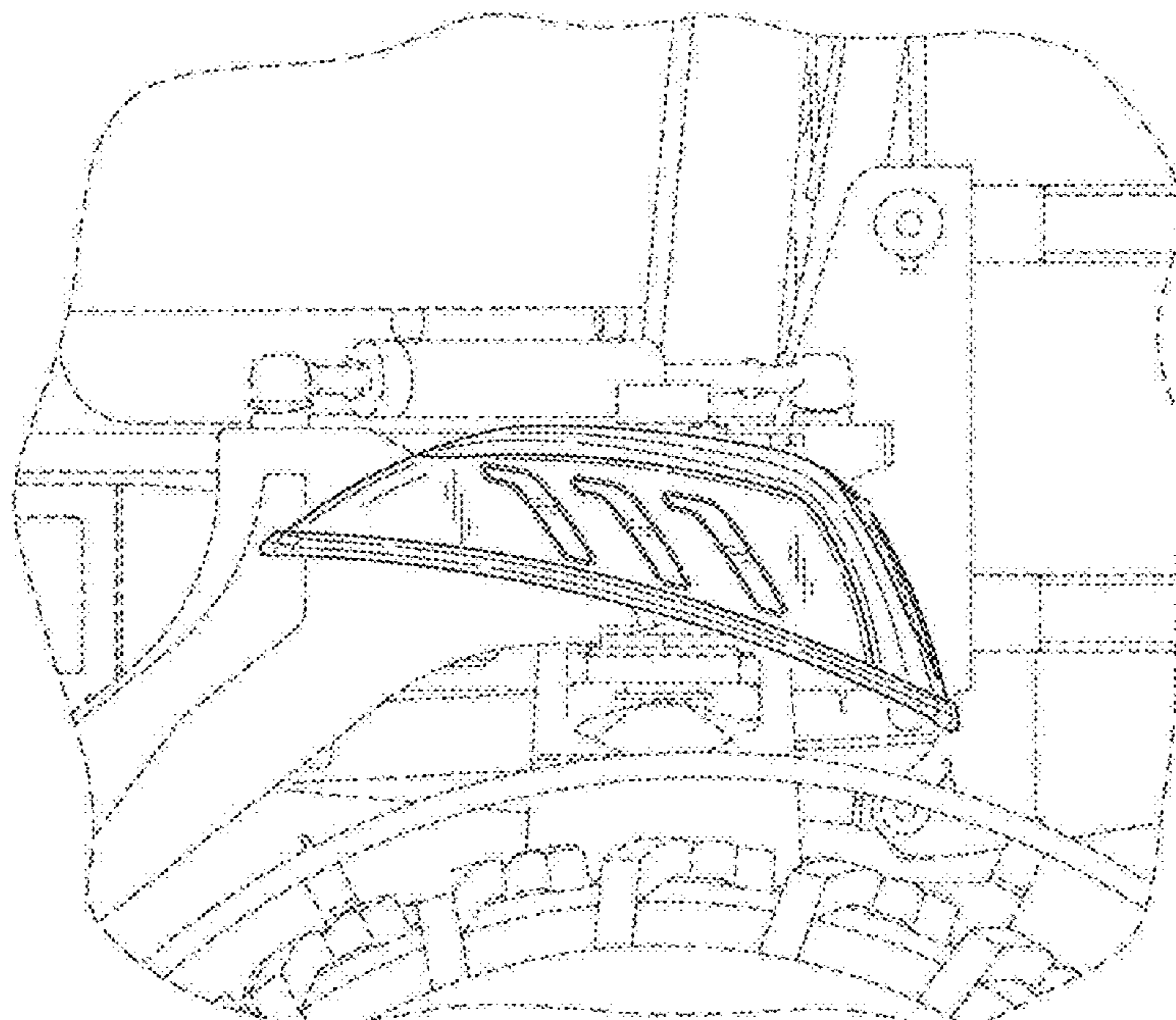
FIG. 5 is a front elevation view of the headlight bezels of FIG. 1;

FIG. 6 is a rear elevation view of the headlight bezels of FIG. 1; and,

FIG. 7 is a top plan view of the headlight bezels of FIG. 1.

In the drawings, the broken lines depict portions of an agricultural product sprayer that form no part of the claimed design.

**1 Claim, 7 Drawing Sheets**



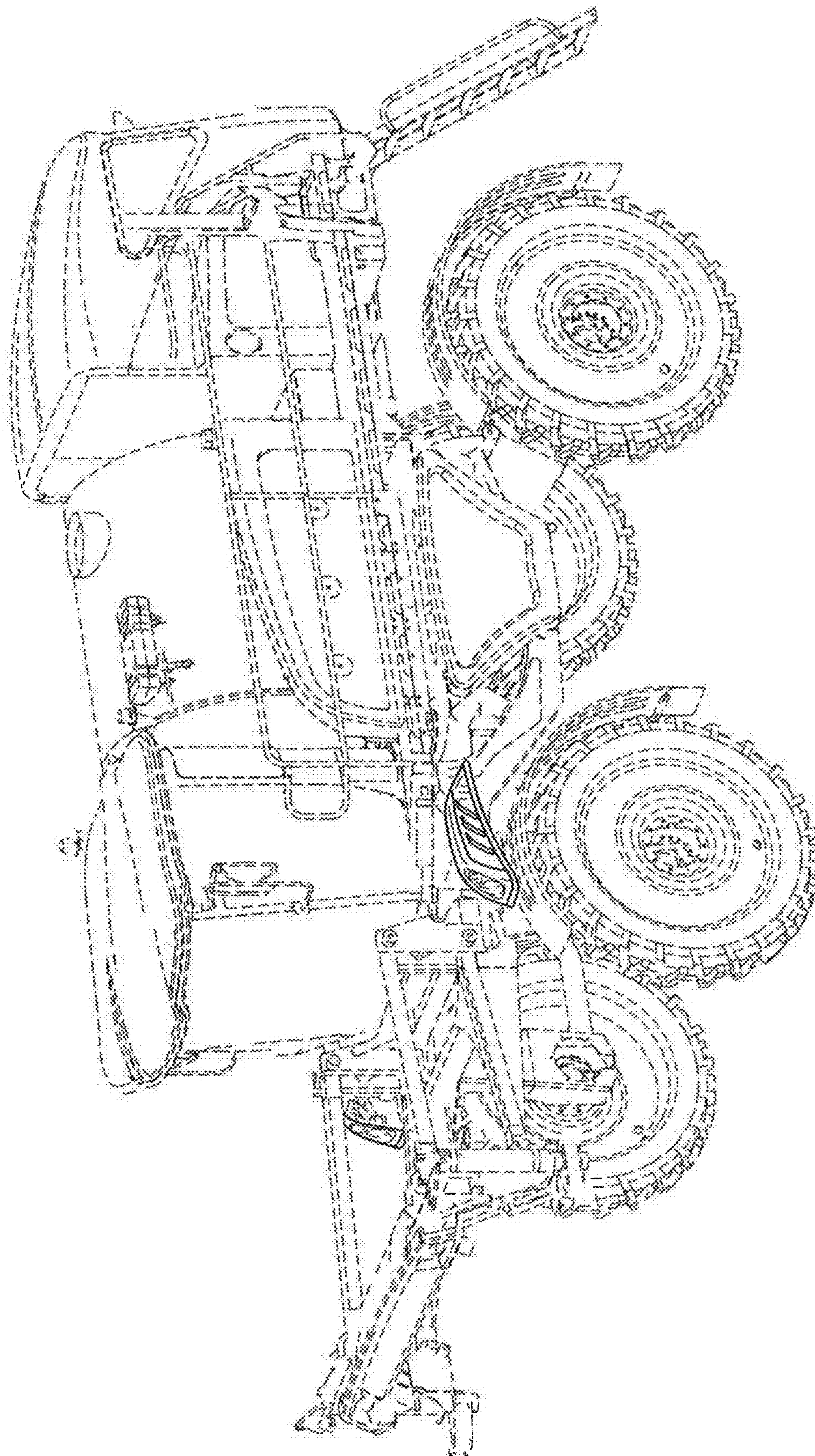


FIG. 1

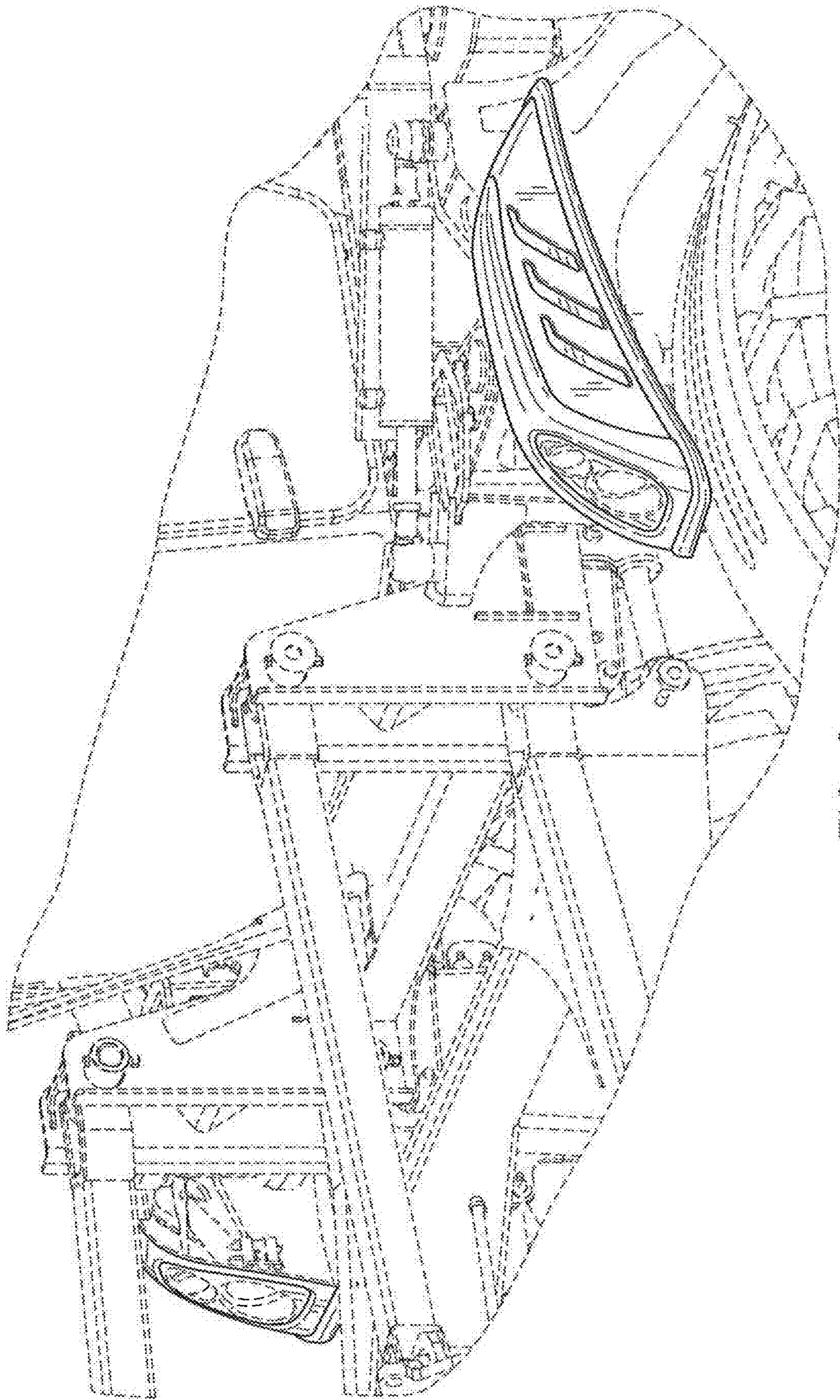


FIG. 2

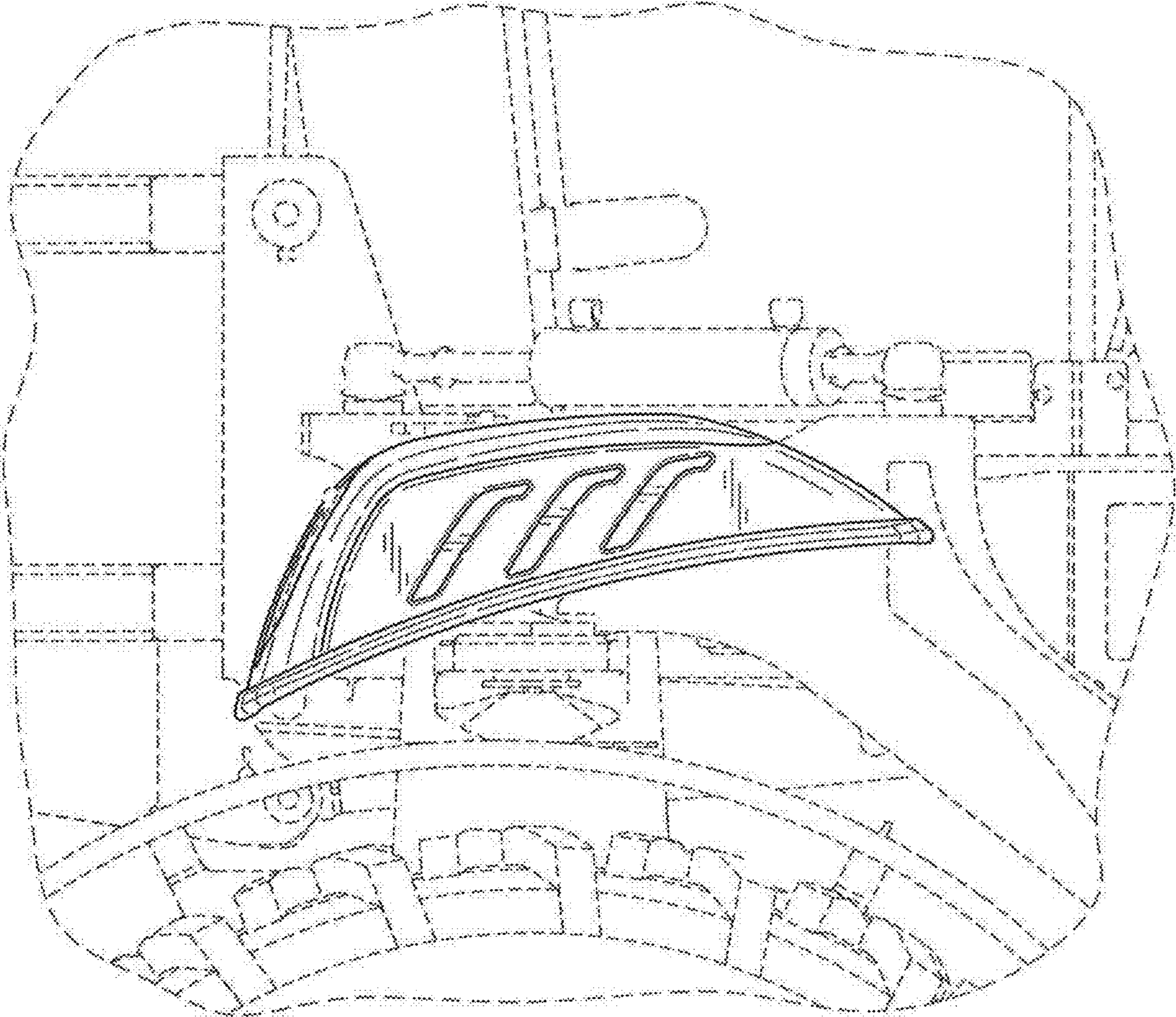


FIG. 3

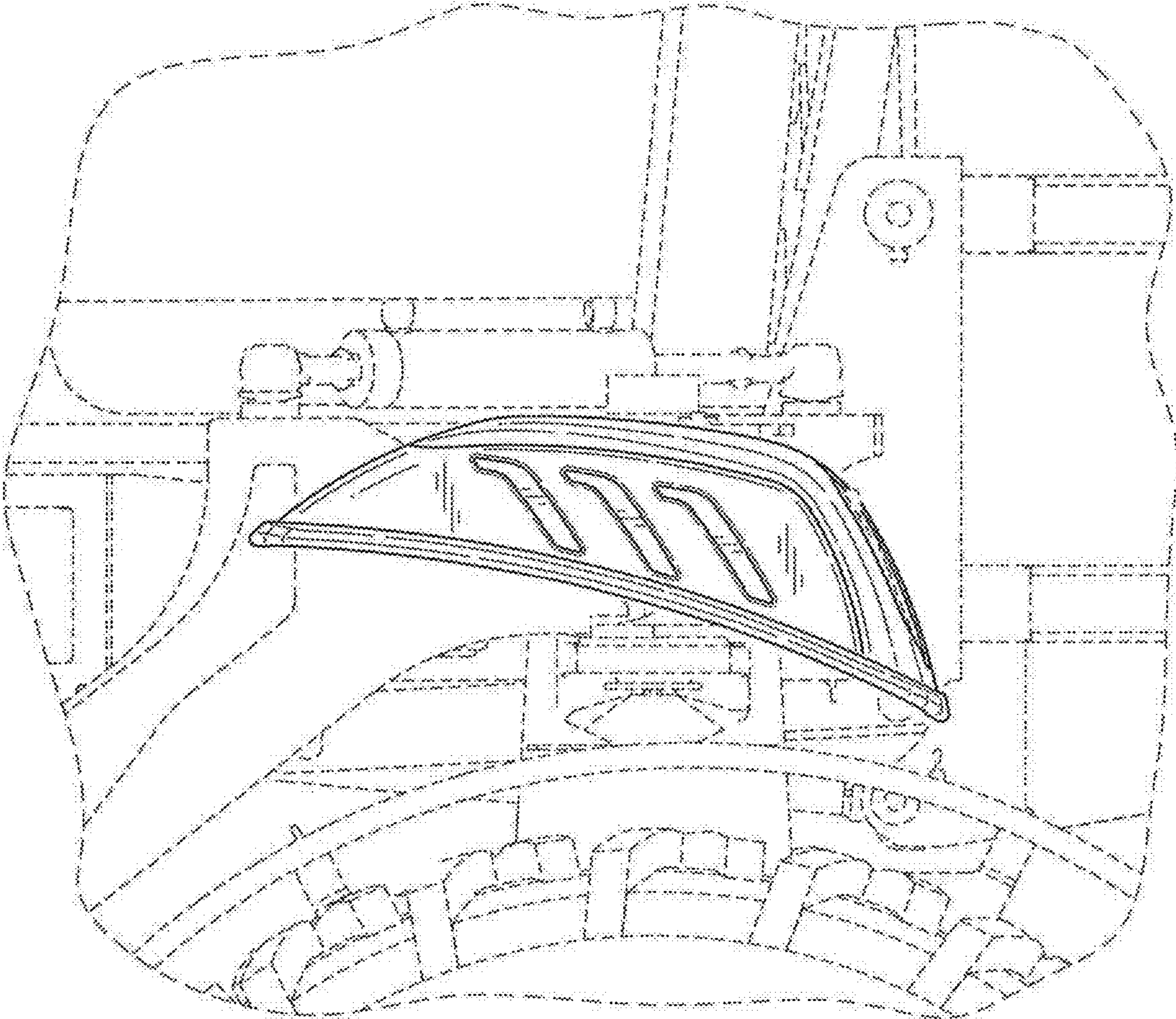


FIG. 4

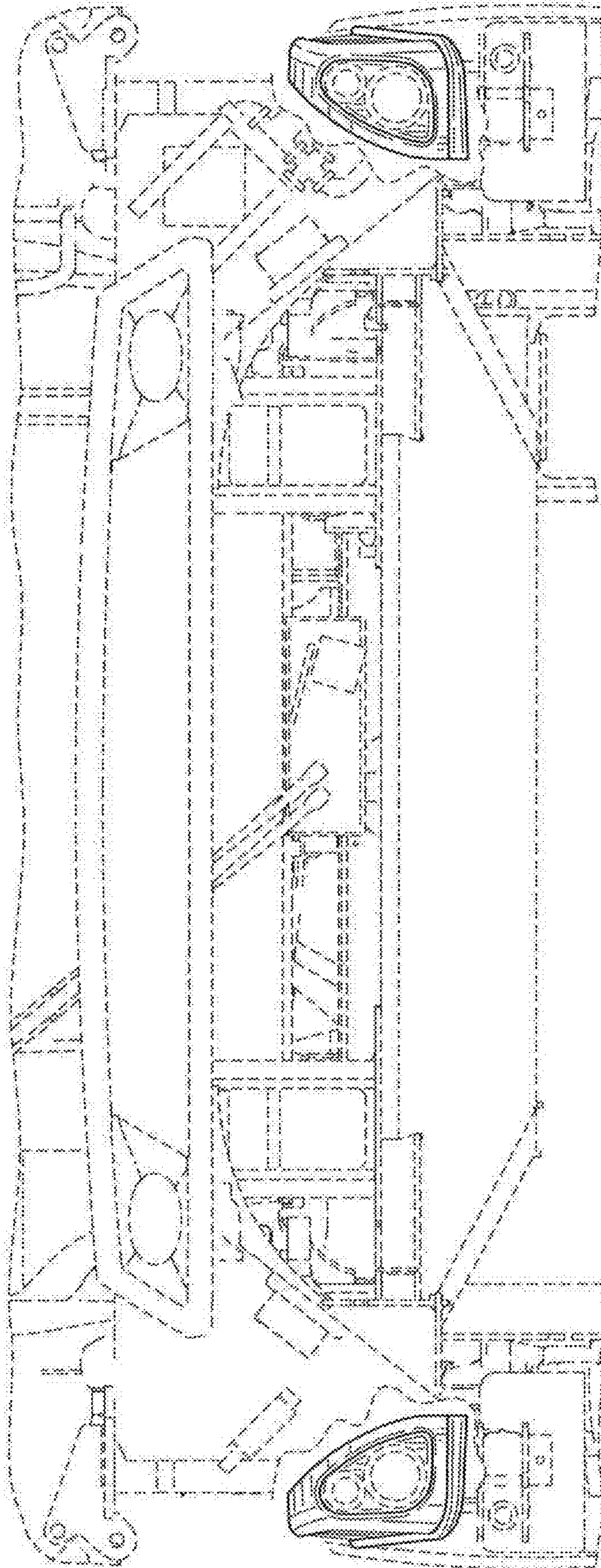


FIG. 5

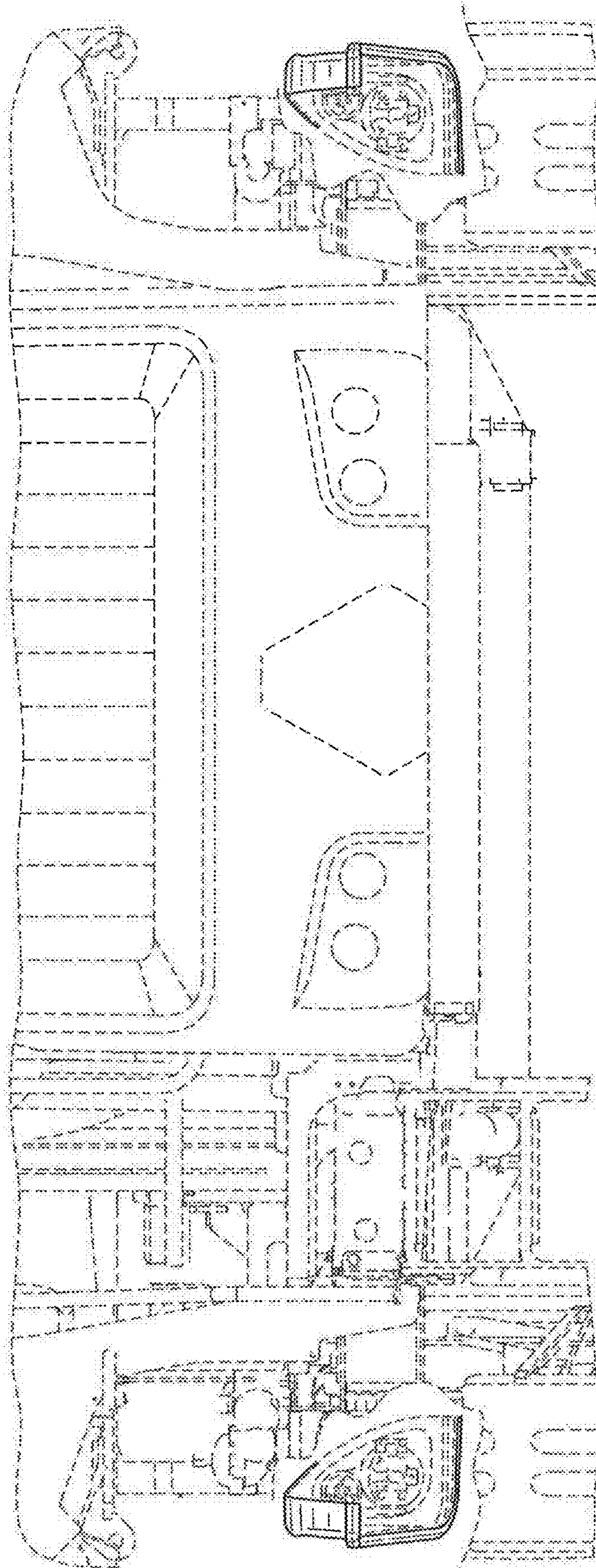


FIG. 6

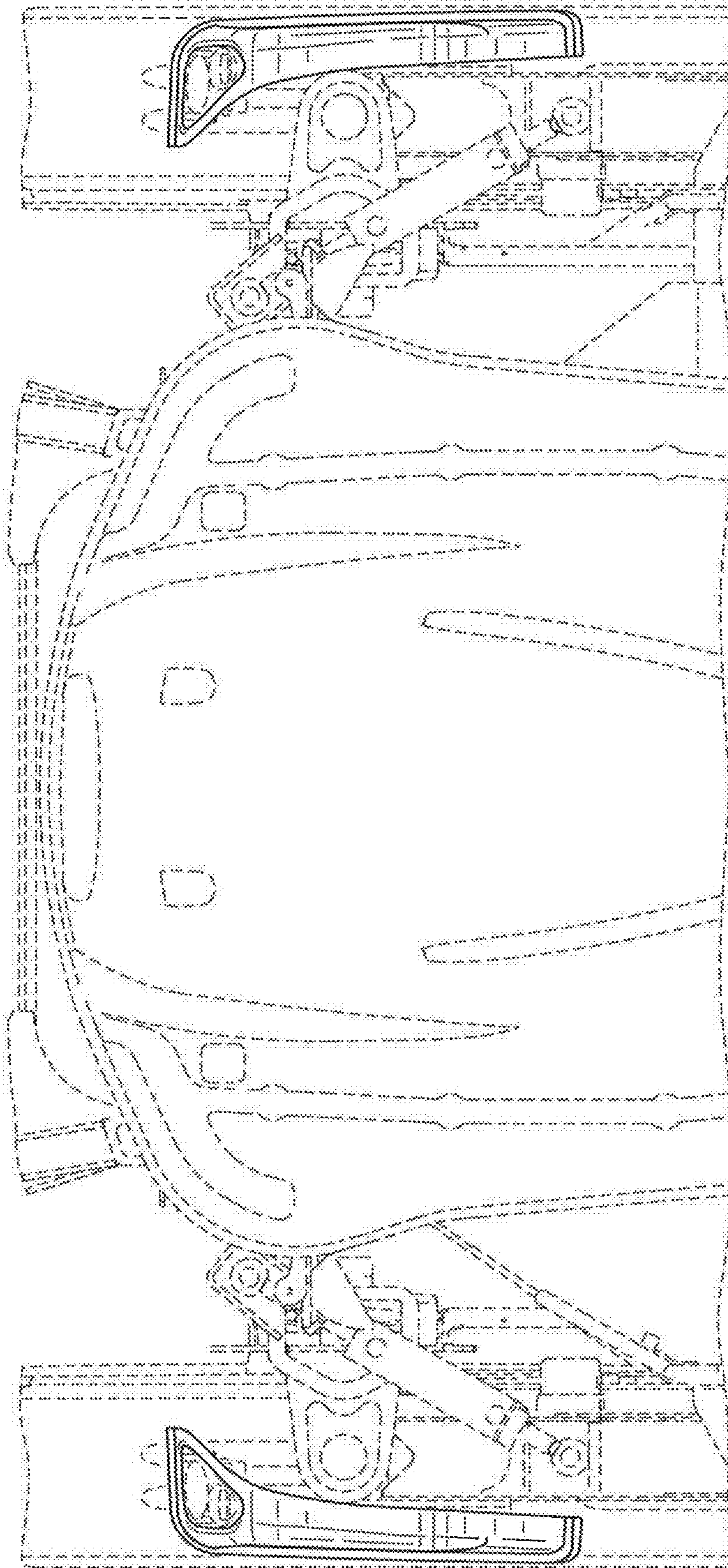


FIG. 7