



US00D873180S

(12) **United States Design Patent**
McCuskey

(10) **Patent No.:** **US D873,180 S**
(45) **Date of Patent:** **** Jan. 21, 2020**

- (54) **TRAILER HITCH LOCK**
- (71) Applicant: **Scott McCuskey**, Boardman, OH (US)
- (72) Inventor: **Scott McCuskey**, Boardman, OH (US)
- (**) Term: **15 Years**
- (21) Appl. No.: **29/646,352**
- (22) Filed: **May 3, 2018**
- (51) **LOC (12) Cl.** **12-10**
- (52) **U.S. Cl.**
USPC **D12/106**
- (58) **Field of Classification Search**
USPC D12/159–163, 167, 169, 172, 203, 223,
D12/400–416, 106; 224/923, 924, 42.11,
224/42.12, 401, 412, 413, 488, 494, 500,
224/501, 519, 537; 211/100, 124, 2, 4;
56/DIG. 14; 150/166; 135/88.05;
280/406.2, 407, 407.1, 408, 411.1, 416.1,
280/416.2, 416.3, 418, 418.1, 433, 434,
280/435, 441.1, 441.2, 455.1, 456.1, 480,
280/493, 504, 507, 508; 37/399
CPC . B60D 1/60; B60D 1/065; B60D 1/00; B60D
1/06
See application file for complete search history.

- 6,481,740 B1 * 11/2002 Haase B60D 1/065
280/511
 - D508,221 S * 8/2005 Rebick D12/162
 - D553,058 S * 10/2007 Chen D12/162
 - D555,549 S * 11/2007 Capuano D12/162
 - D706,688 S * 6/2014 Baldwin D12/162
 - D709,409 S * 7/2014 Story D12/162
 - 8,967,654 B1 * 3/2015 Riibe B60D 1/28
280/507
 - 9,333,822 B1 * 5/2016 LaFave B60R 9/10
 - D773,280 S * 12/2016 Rathman D8/330
- (Continued)

OTHER PUBLICATIONS

10 Best Trailer Hitch Locks 2019, YouTube.com, Ezvid Wiki, Published on Nov. 11, 2018, [online], [site visited Aug. 21, 2019]. <URL: <https://www.youtube.com/watch?v=Ow8PfrZg3Vw>> (Year: 2018).*

(Continued)

Primary Examiner — T Chase Nelson
Assistant Examiner — Jonathan J. Han
(74) *Attorney, Agent, or Firm* — Harpman & Harpman

(57) **CLAIM**

The ornamental design for an trailer hitch lock, as shown and described.

DESCRIPTION

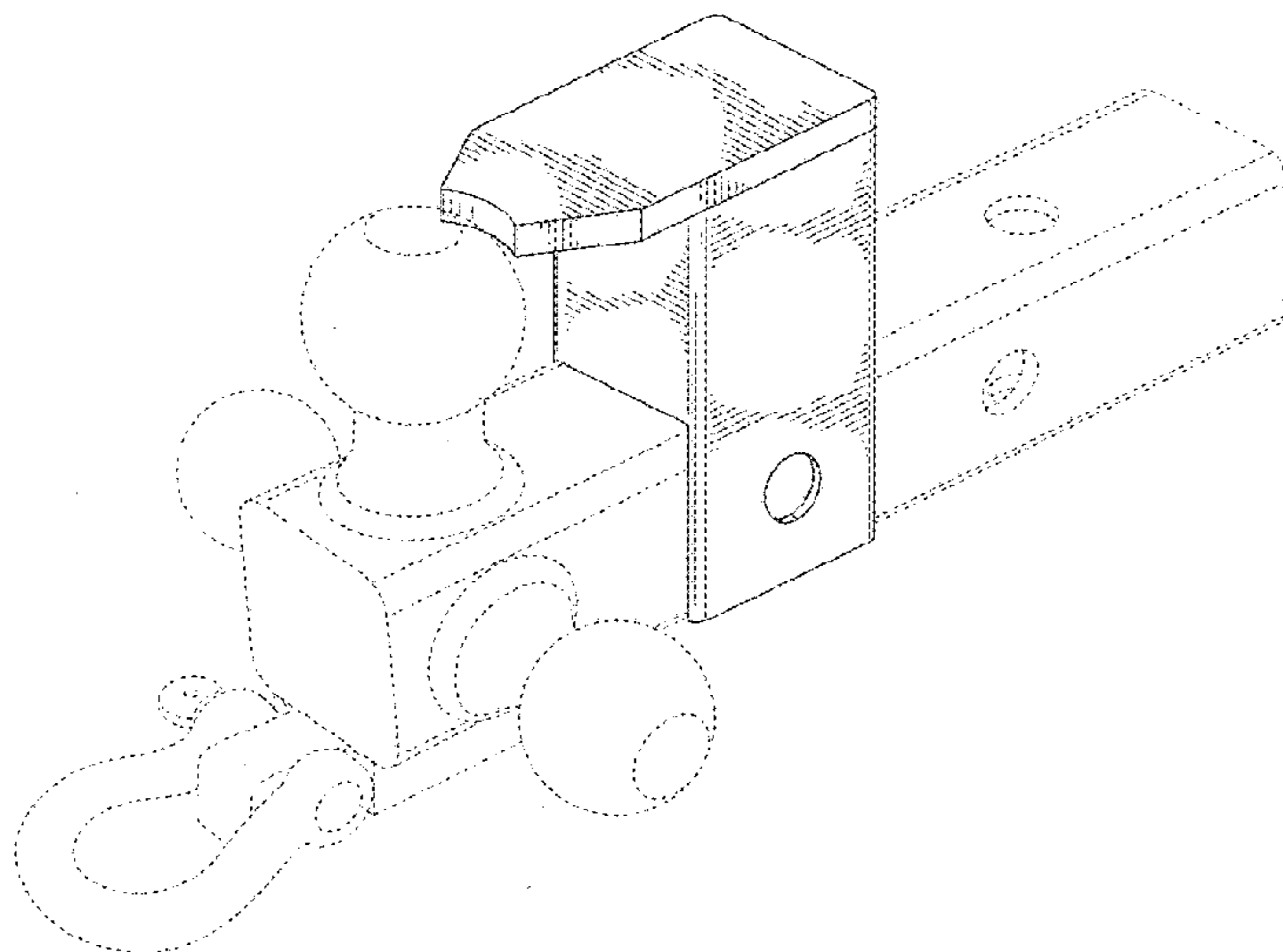
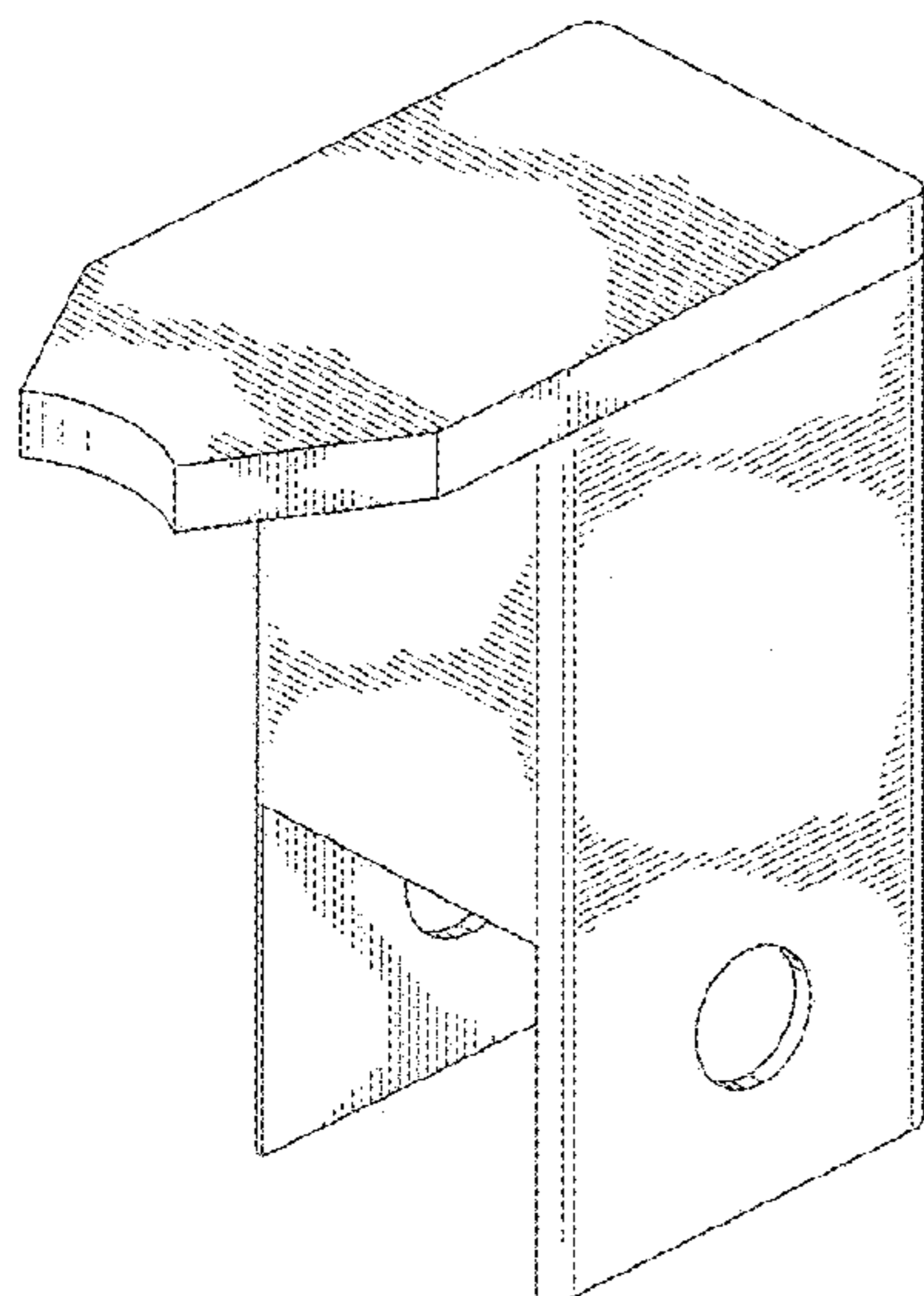
FIG. 1 is a perspective front, left side and top view thereof. FIG. 2 is a rear elevational view thereof. FIG. 3 is a right side elevational view thereof. FIG. 4 is a left side elevational view thereof. FIG. 5 is a top plan view thereof. FIG. 6 is a bottom plan view thereof; and, FIG. 7 is a perspective view thereof, shown in use on a trailer hitch. The broken lines in the figures illustrate portions and environment that form no part of the claimed design.

1 Claim, 5 Drawing Sheets

(56) **References Cited**

U.S. PATENT DOCUMENTS

- 3,876,242 A * 4/1975 Eaton B60D 1/065
280/511
- D402,602 S * 12/1998 Niswanger D12/162
- D419,122 S * 1/2000 Stech D12/162
- 6,338,586 B1 * 1/2002 Kuo A45C 13/262
16/113.1
- 6,338,587 B1 * 1/2002 Kuo A45C 13/262
16/113.1
- 6,341,795 B1 * 1/2002 Zerkel B60D 1/065
280/490.1
- D457,113 S * 5/2002 Zapushek D12/162



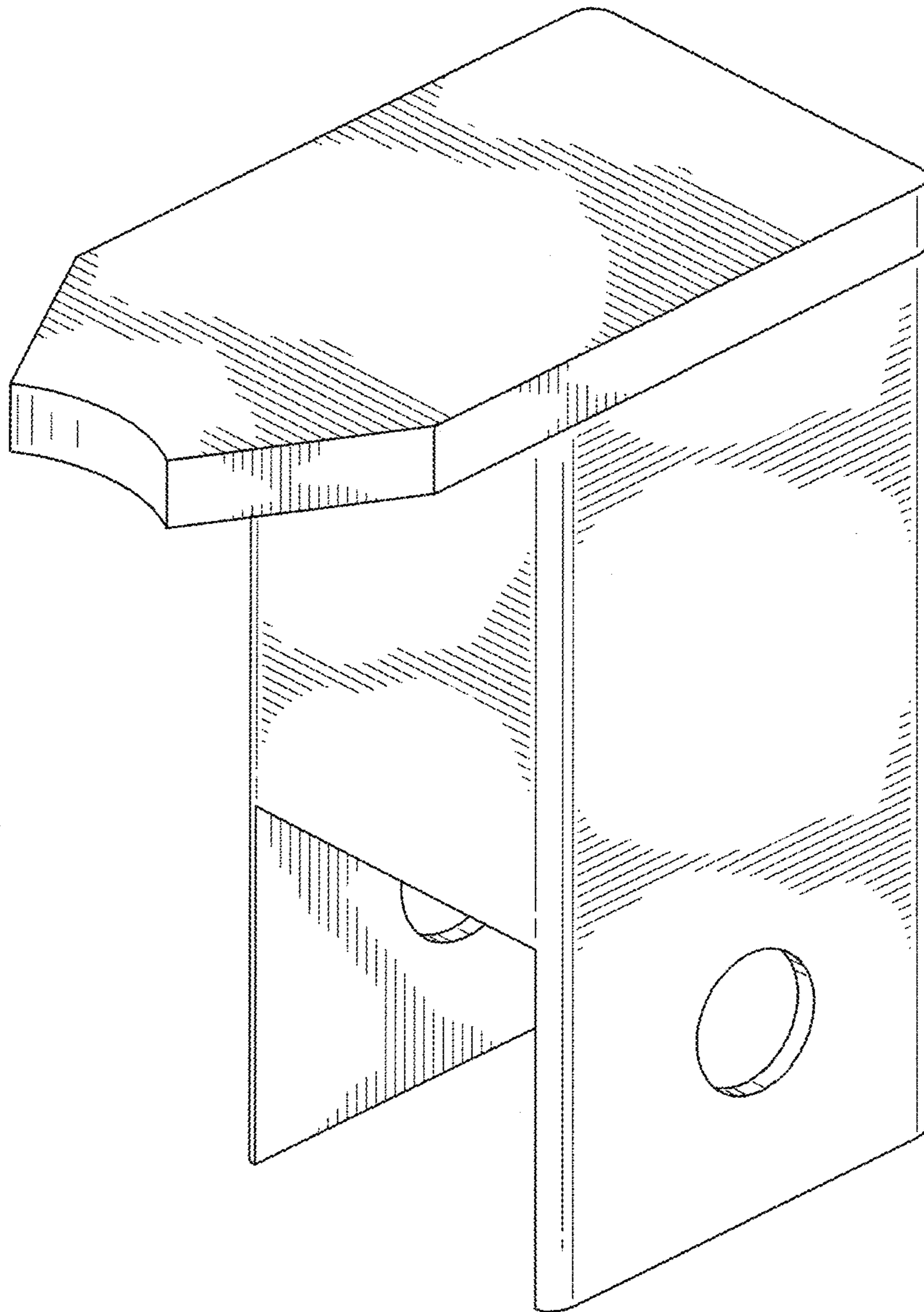


FIG. 1

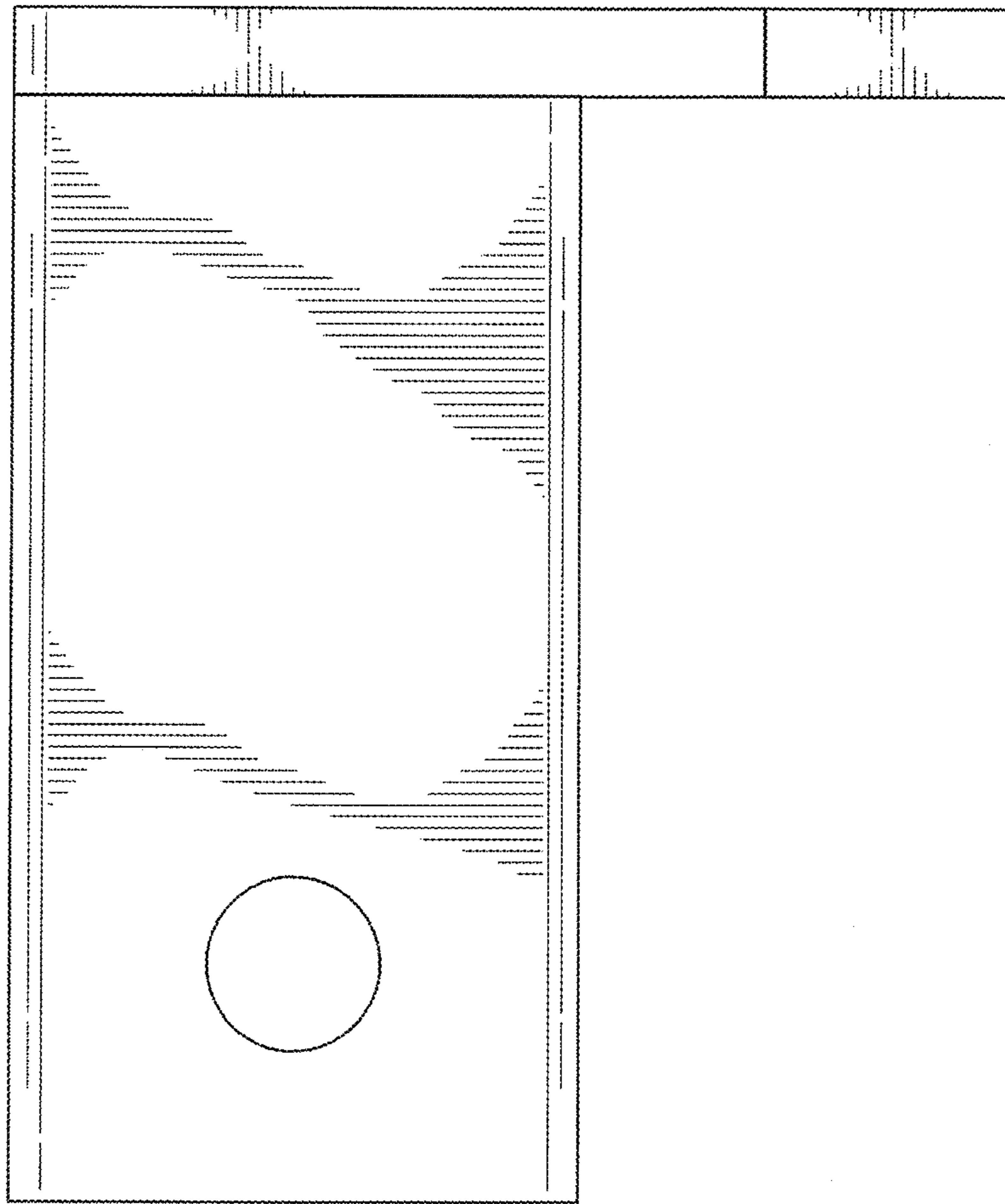


FIG. 2

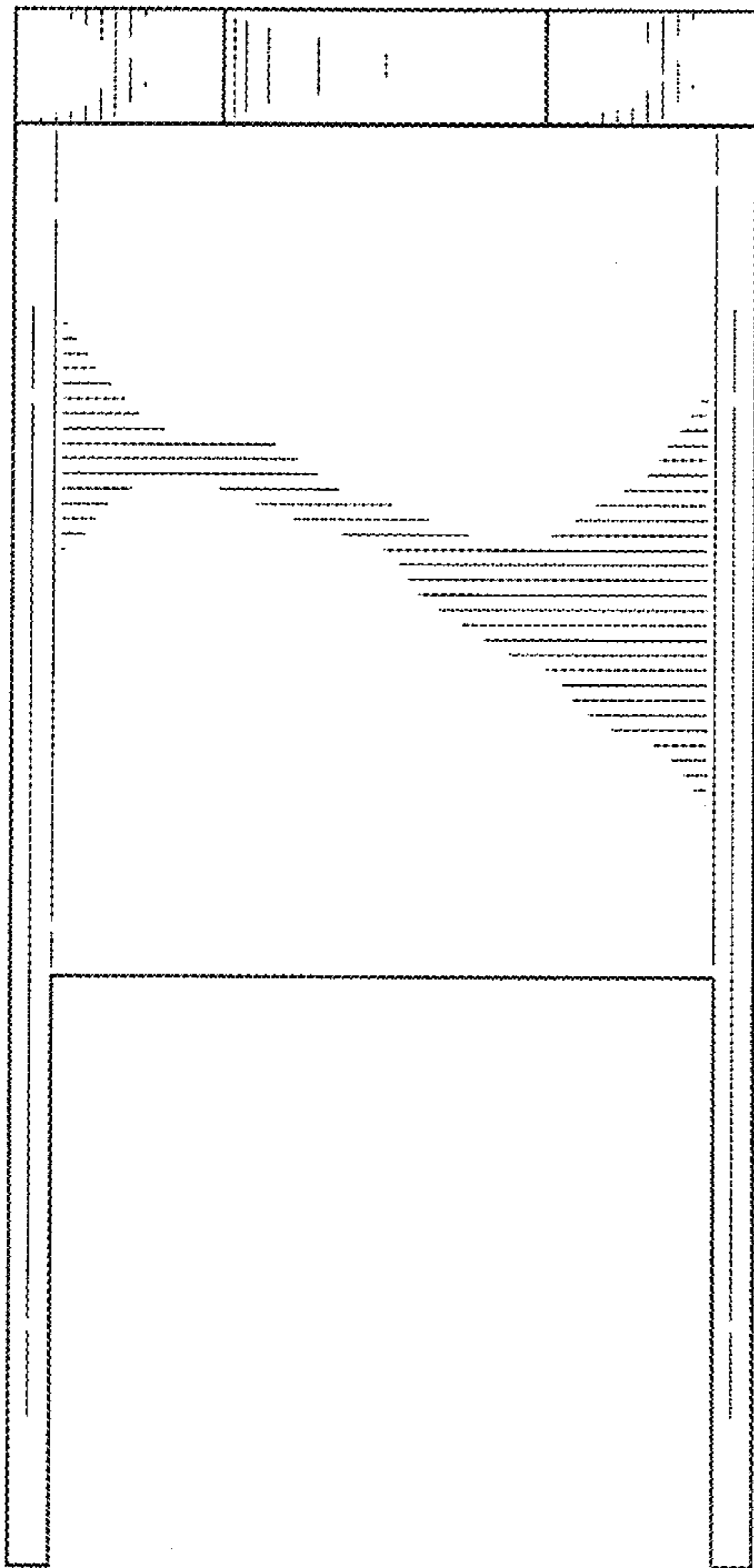


FIG. 3

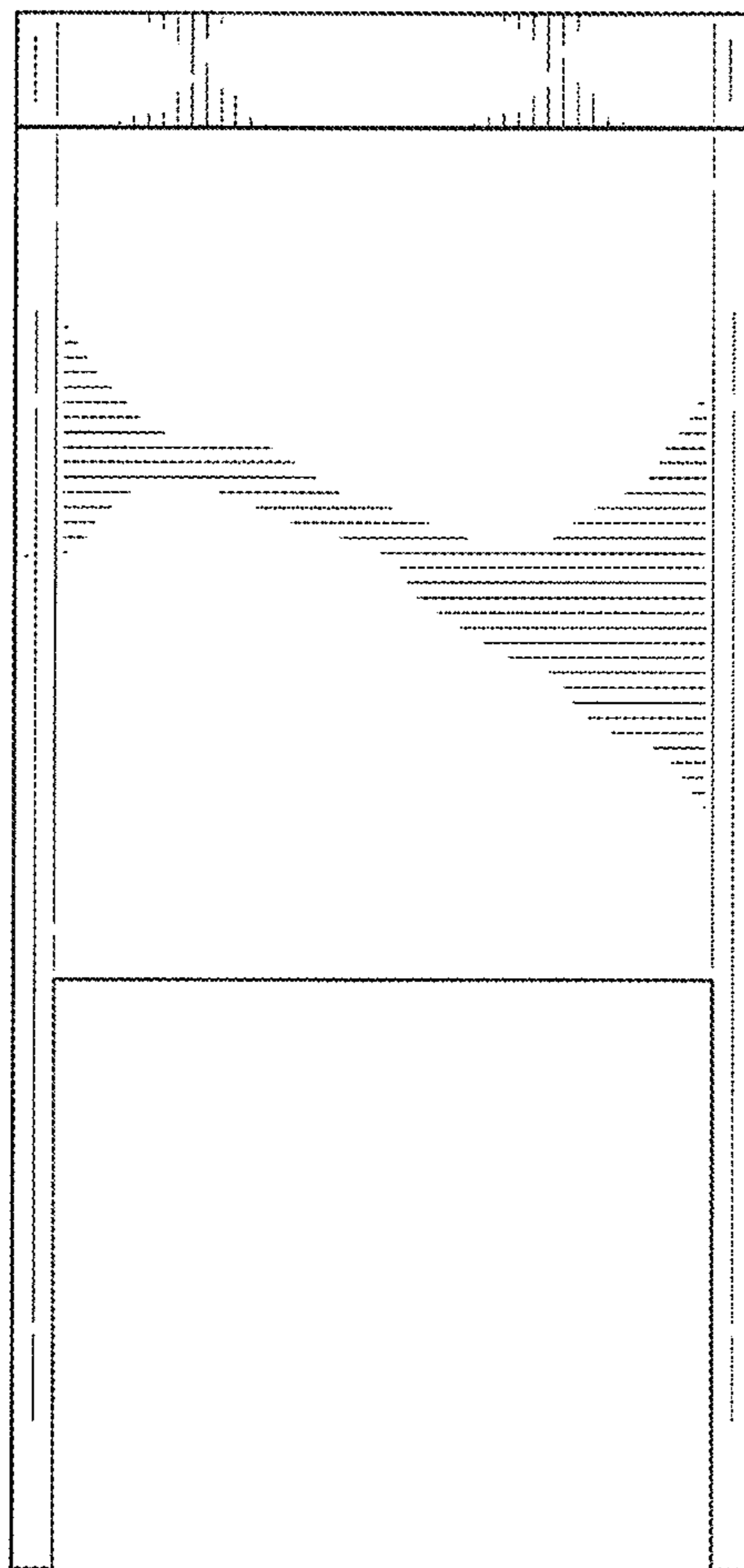


FIG. 4

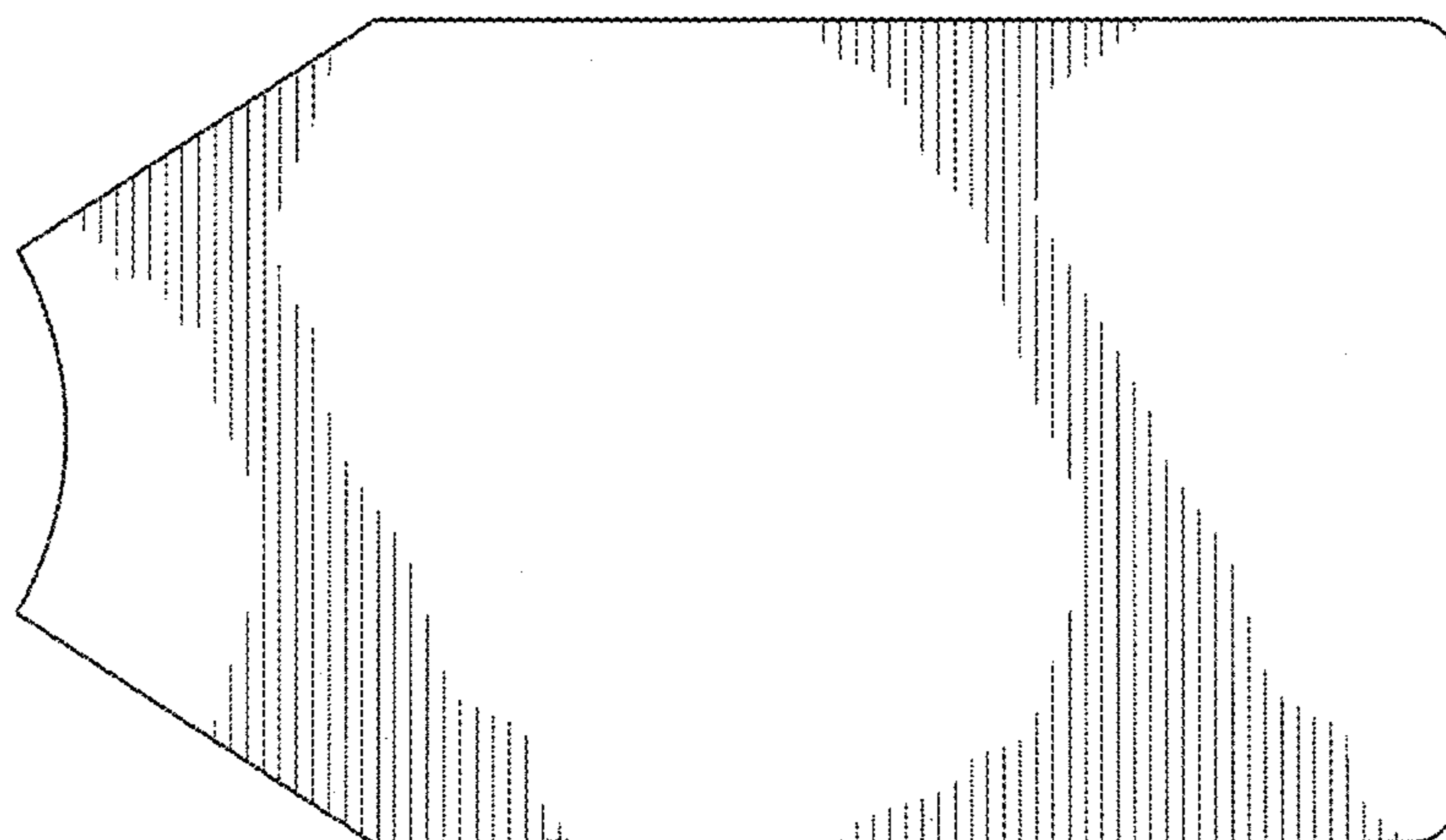


FIG. 5

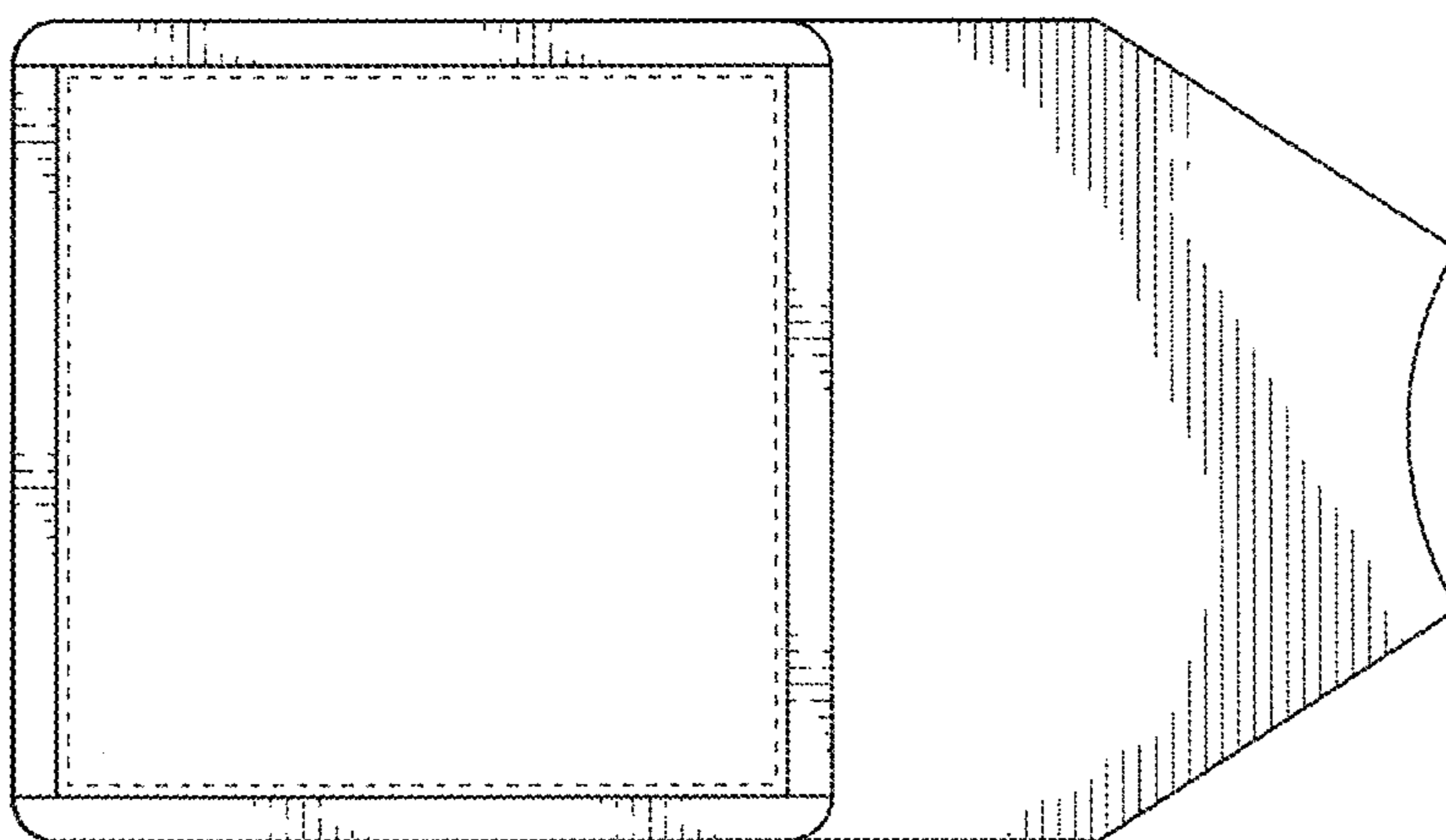


FIG. 6

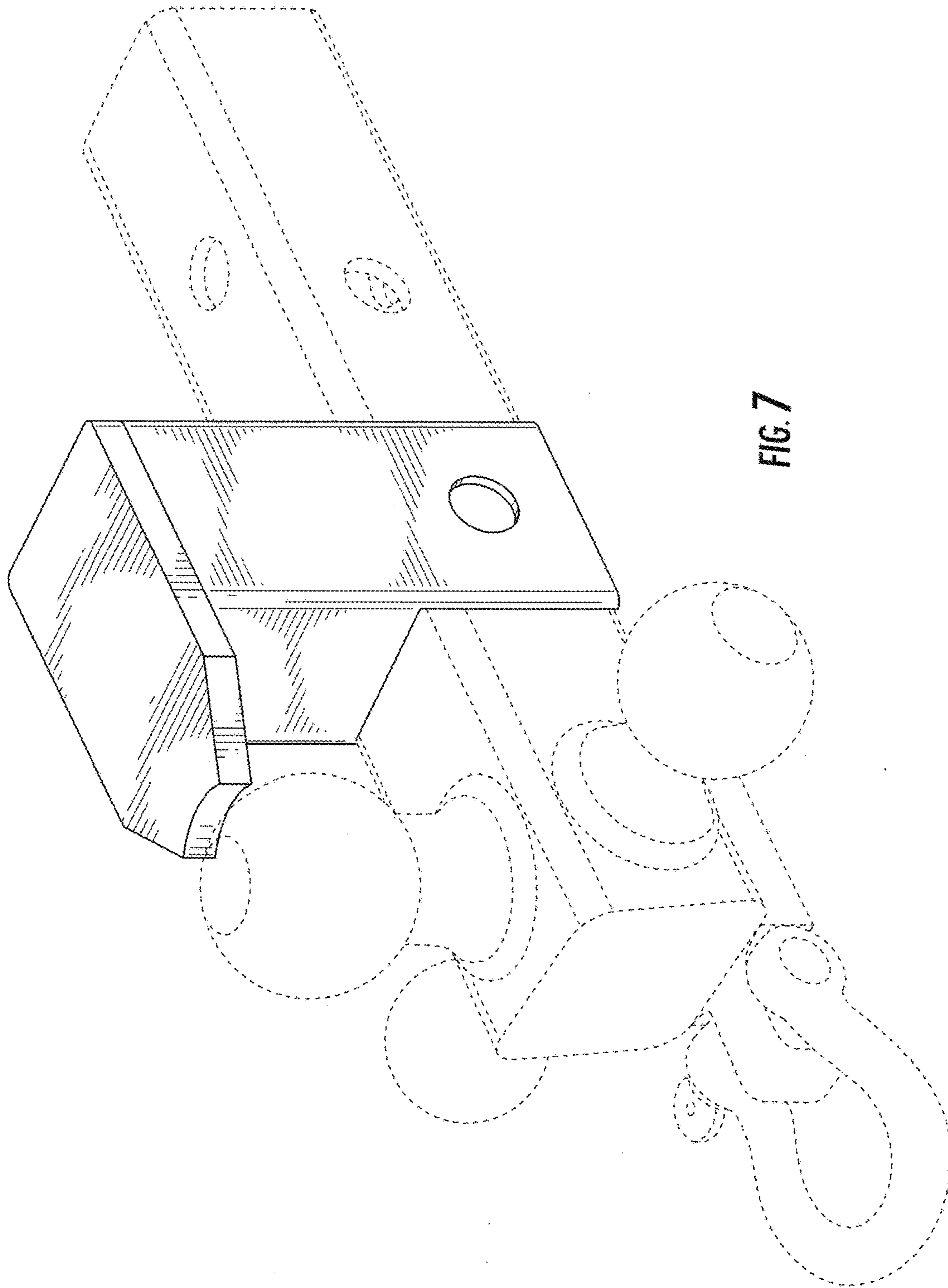


FIG. 7