



US00D873178S

(12) **United States Design Patent** (10) **Patent No.:** **US D873,178 S**  
**Howse et al.** (45) **Date of Patent:** **\*\* Jan. 21, 2020**

(54) **CAR**  
(71) Applicant: **McLaren Automotive Limited**,  
Woking, Surrey (GB)  
(72) Inventors: **Paul Howse**, Surrey (GB); **Robert**  
**Melville**, Ottershaw (GB)  
(73) Assignee: **McLaren Automotive Limited**,  
Woking, Surrey (GB)

D734,212 S 7/2015 Stephenson  
D734,213 S 7/2015 Stephenson  
D767,446 S 9/2016 Stephenson  
D774,947 S 12/2016 Anscheidt et al.  
D780,063 S 2/2017 Stephenson  
D781,747 S 3/2017 Stephenson  
D801,227 S \* 10/2017 Stephenson ..... D12/88  
D804,355 S 12/2017 Stephenson  
D823,724 S 7/2018 Melville et al.  
D838,210 S \* 1/2019 Howse ..... D12/92

(\*\*) Term: **15 Years**  
(21) Appl. No.: **29/650,433**  
(22) Filed: **Jun. 6, 2018**

**FOREIGN PATENT DOCUMENTS**

EM 002105403-0001 9/2012  
EM 002105403-0002 9/2012

\* cited by examiner

*Primary Examiner* — Melody N Brown  
(74) *Attorney, Agent, or Firm* — Wolf, Greenfield &  
Sacks, P.C.

(30) **Foreign Application Priority Data**  
Dec. 7, 2017 (GB) ..... 6023438  
(51) **LOC (12) Cl.** ..... **12-08**  
(52) **U.S. Cl.**  
USPC ..... **D12/92**  
(58) **Field of Classification Search**  
USPC ..... D12/86, 90-92, 88; D21/424, 433, 434,  
D21/533; 296/181.1-181.5, 183.1  
CPC ..... B62D 25/00; B62D 25/06; B62D 33/00;  
B62D 35/00  
See application file for complete search history.

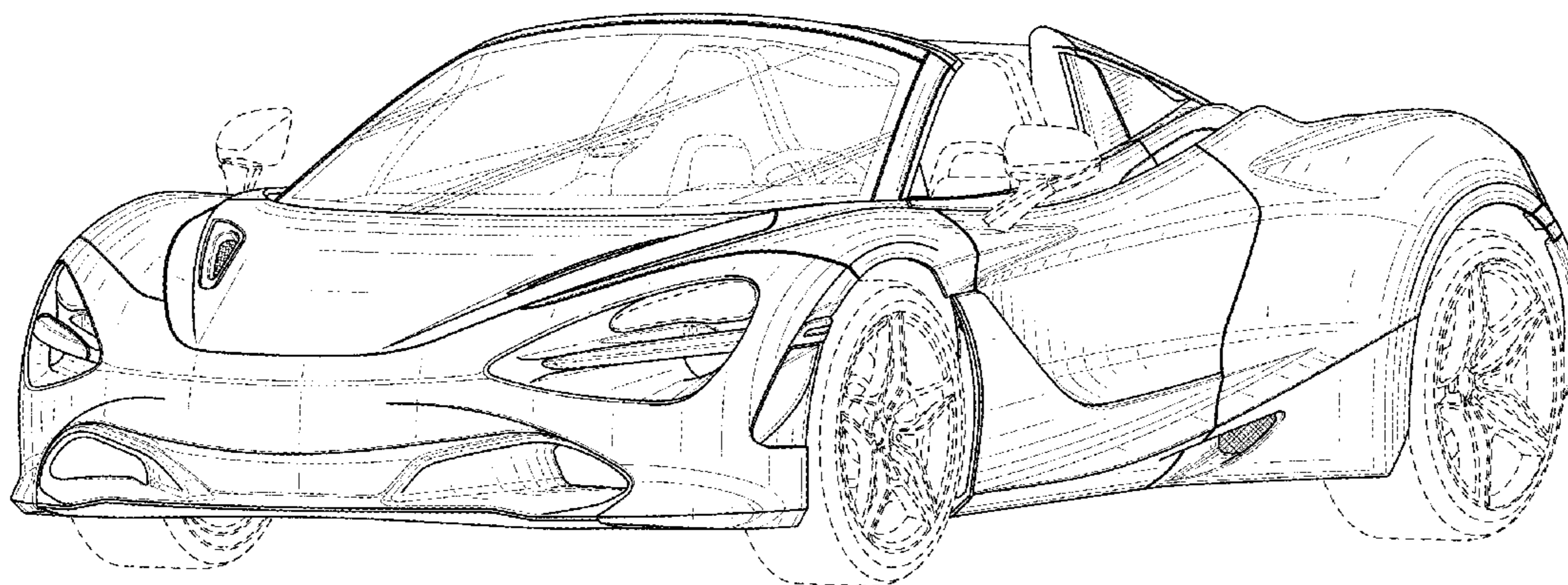
(57) **CLAIM**  
The ornamental design for a car, as shown and described.

**DESCRIPTION**

FIG. 1 is a front and right side perspective view of a car showing our new design;  
FIG. 2 is a rear and right side perspective view thereof;  
FIG. 3 is a right side elevation view thereof;  
FIG. 4 is a left side elevation view thereof;  
FIG. 5 is a front elevation view thereof;  
FIG. 6 is a rear elevation view thereof; and,  
FIG. 7 is a top plan view thereof.  
The broken lines illustrate portions of the car that form no part of the claimed design.

(56) **References Cited**  
**U.S. PATENT DOCUMENTS**  
D628,124 S 11/2010 Stephenson  
D717,211 S 11/2014 Stephenson

**1 Claim, 6 Drawing Sheets**



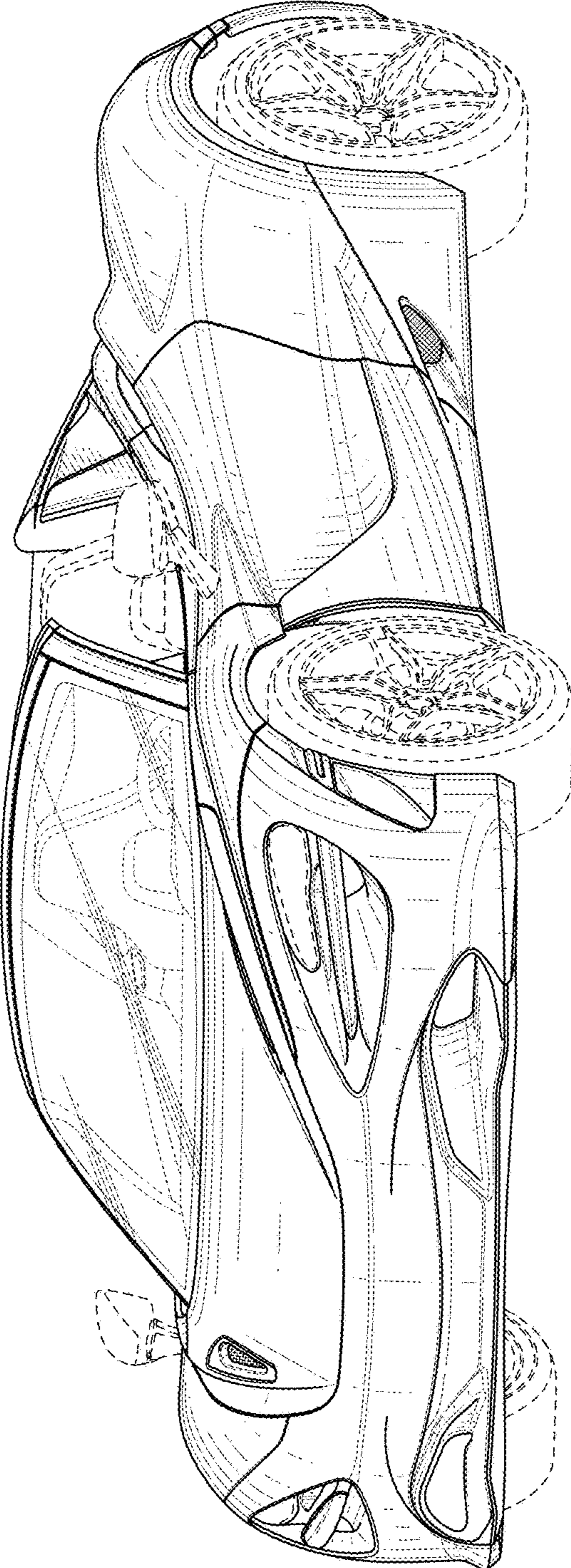


FIG. 1



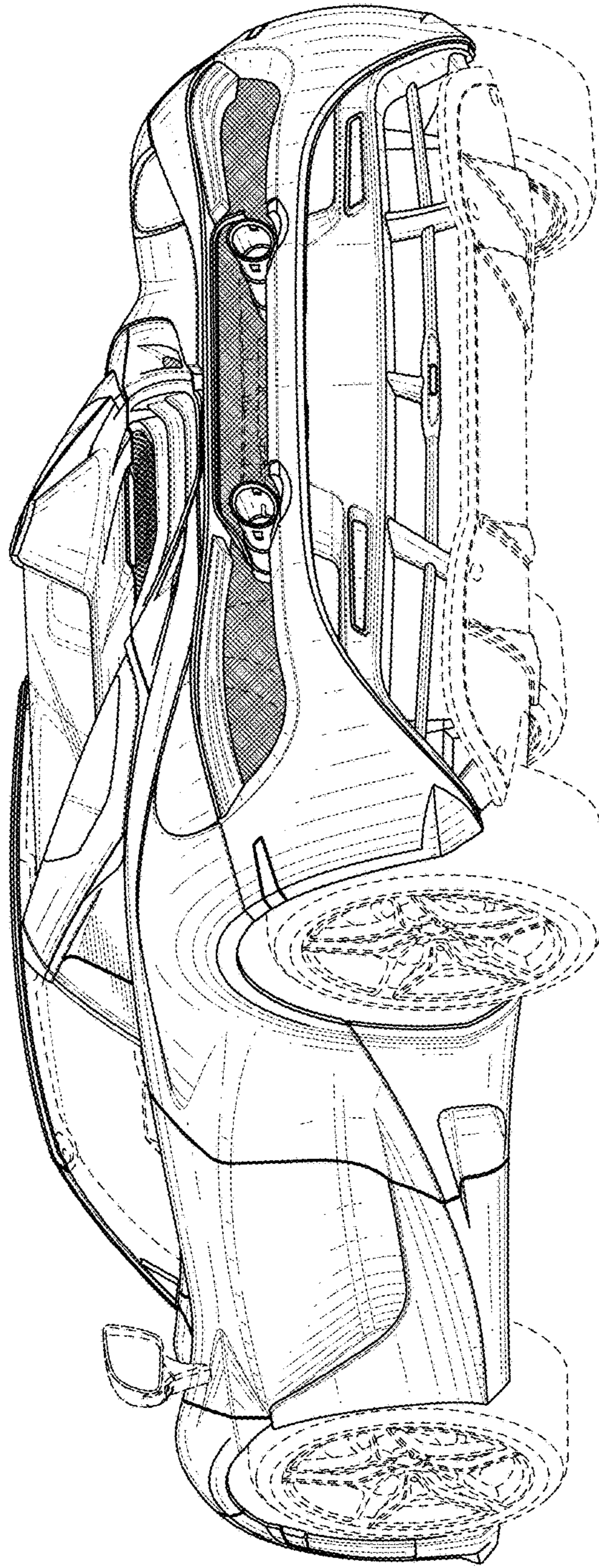


FIG. 2

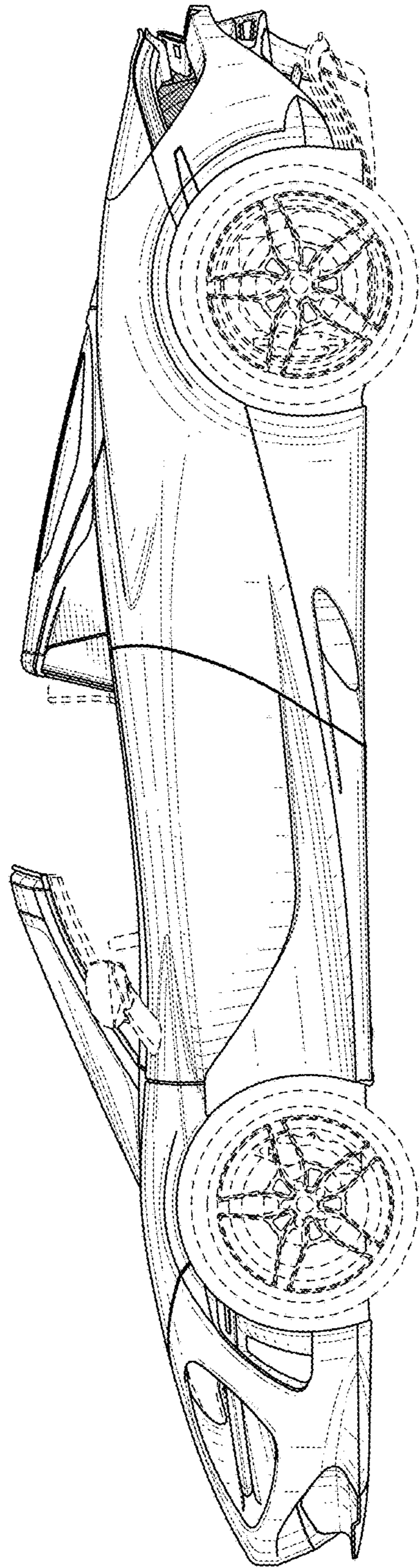


FIG. 3

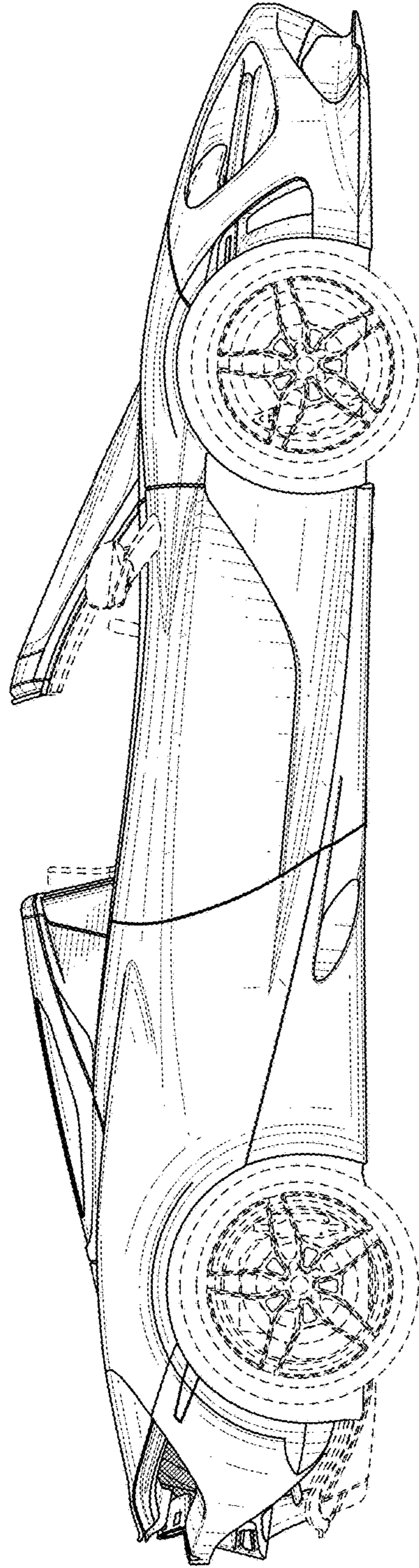


FIG. 4



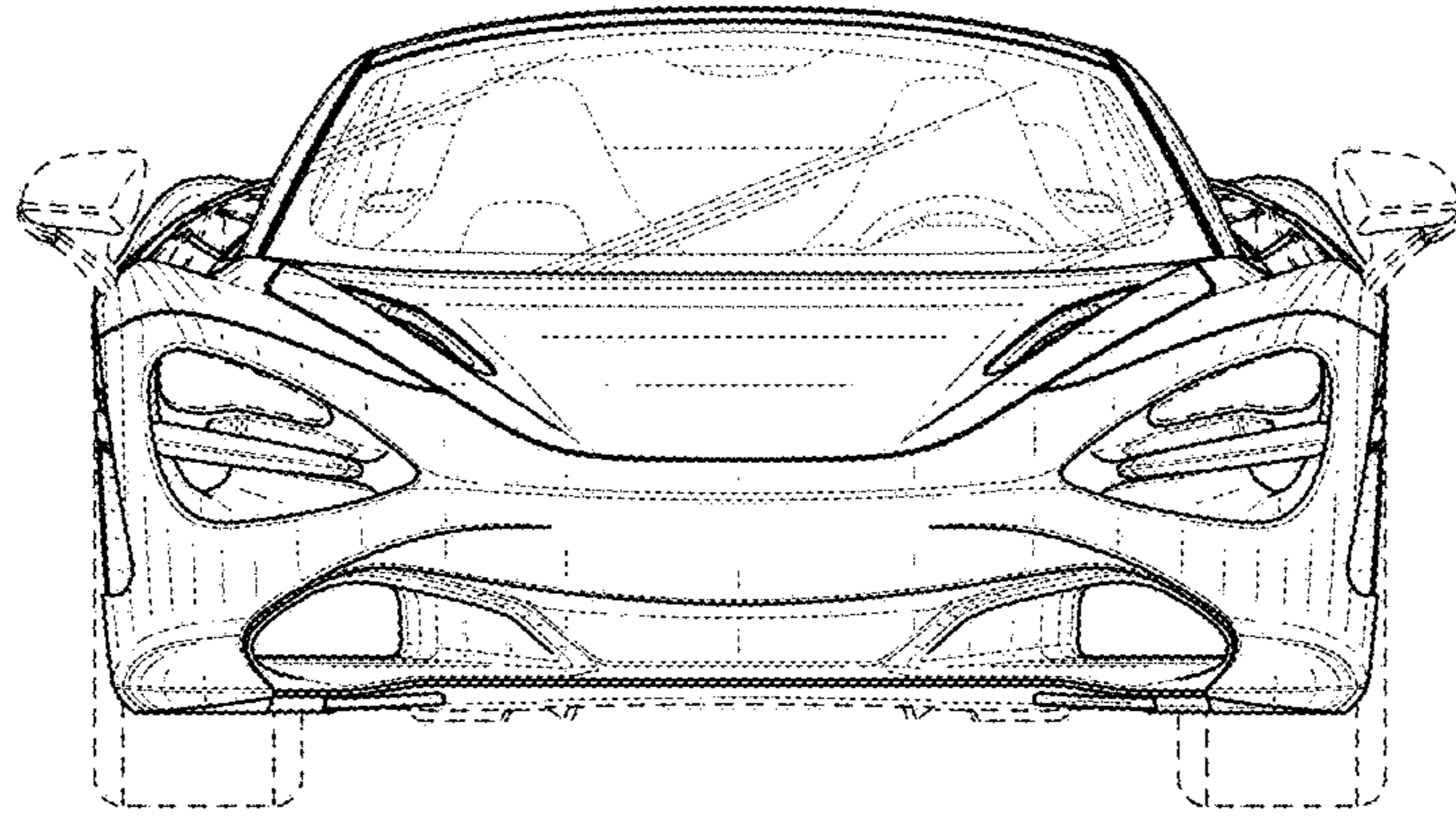


FIG. 5

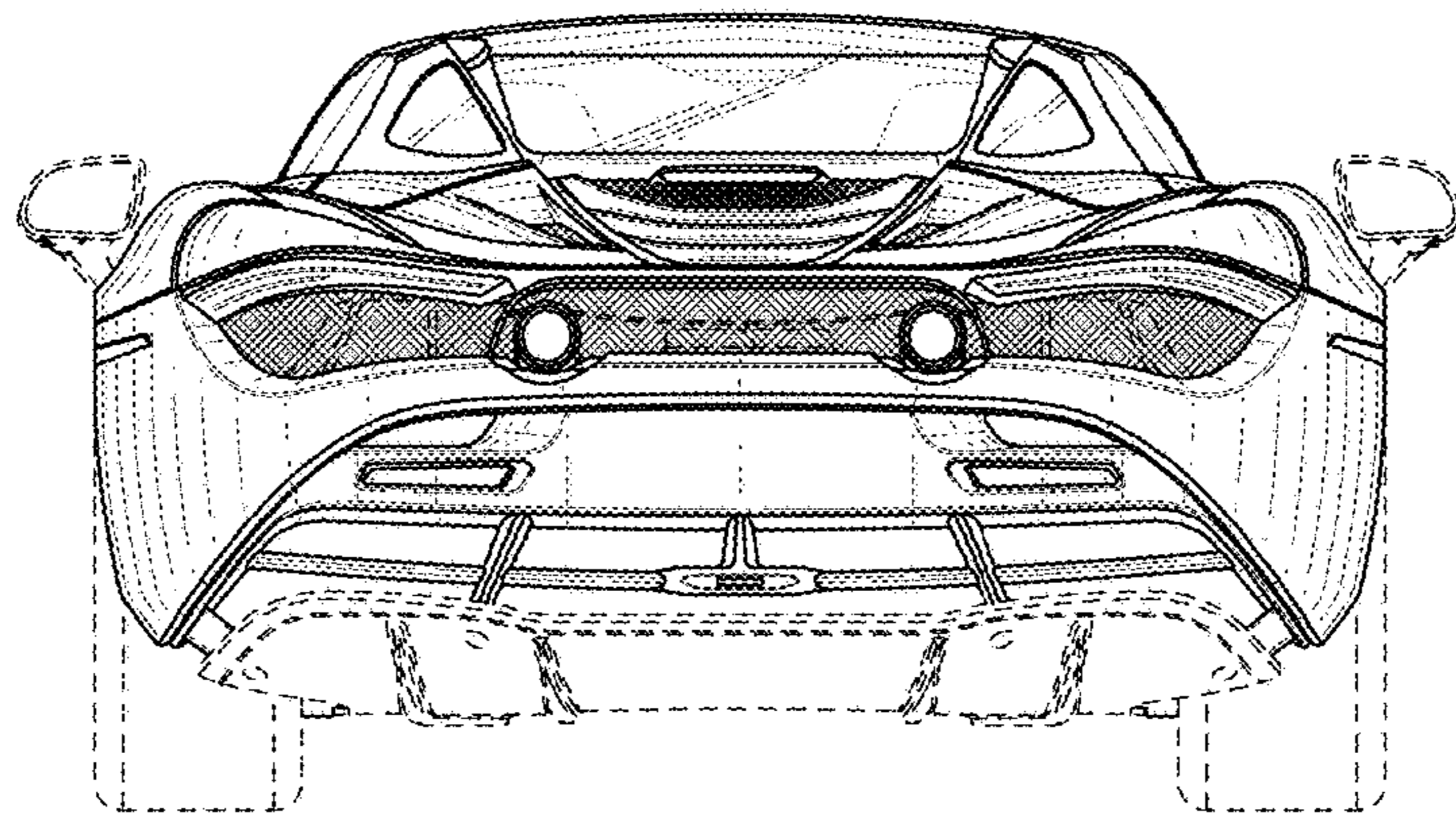


FIG. 6

FIG. 7

