



US00D873175S

(12) **United States Design Patent** (10) **Patent No.:** **US D873,175 S**  
**Li** (45) **Date of Patent:** **\*\* Jan. 21, 2020**

(54) **DRONE**  
(71) Applicant: **Shenzhen Hubsan Technology Co., Ltd.**, Shenzhen (CN)  
(72) Inventor: **Guangjun Li**, Shenzhen (CN)  
(73) Assignee: **Shenzhen Hubsan Technology Co., Ltd.**, Shenzhen (CN)  
(\*\*) Term: **15 Years**  
(21) Appl. No.: **29/648,683**  
(22) Filed: **May 23, 2018**  
(51) **LOC (12) Cl.** ..... **12-06**  
(52) **U.S. Cl.**  
USPC ..... **D12/16.1; D12/328**  
(58) **Field of Classification Search**  
USPC ..... D12/319-345, 1-4, 16.1, 214;  
D21/436-454; D30/160  
CPC ..... B64C 29/0025; B64C 2201/108; B64C 2201/048; B64C 2201/088; B64C 29/00; B64C 29/0058; B64C 39/001; B64C 39/024; B64C 39/062; B64C 2201/141; B64C 27/12  
See application file for complete search history.

D648,809 S \* 11/2011 Seydoux ..... D21/441  
D659,771 S \* 5/2012 Seydoux ..... D21/441  
D691,514 S \* 10/2013 Wang ..... D12/16.1  
D707,614 S \* 6/2014 Colten ..... D12/319  
D710,452 S \* 8/2014 Barajas ..... D12/16.1  
D710,453 S \* 8/2014 Barajas ..... D12/16.1  
D710,454 S \* 8/2014 Barajas ..... D12/16.1

(Continued)

*Primary Examiner* — Marissa J Cash  
(74) *Attorney, Agent, or Firm* — IPro, PLLC

(57) **CLAIM**

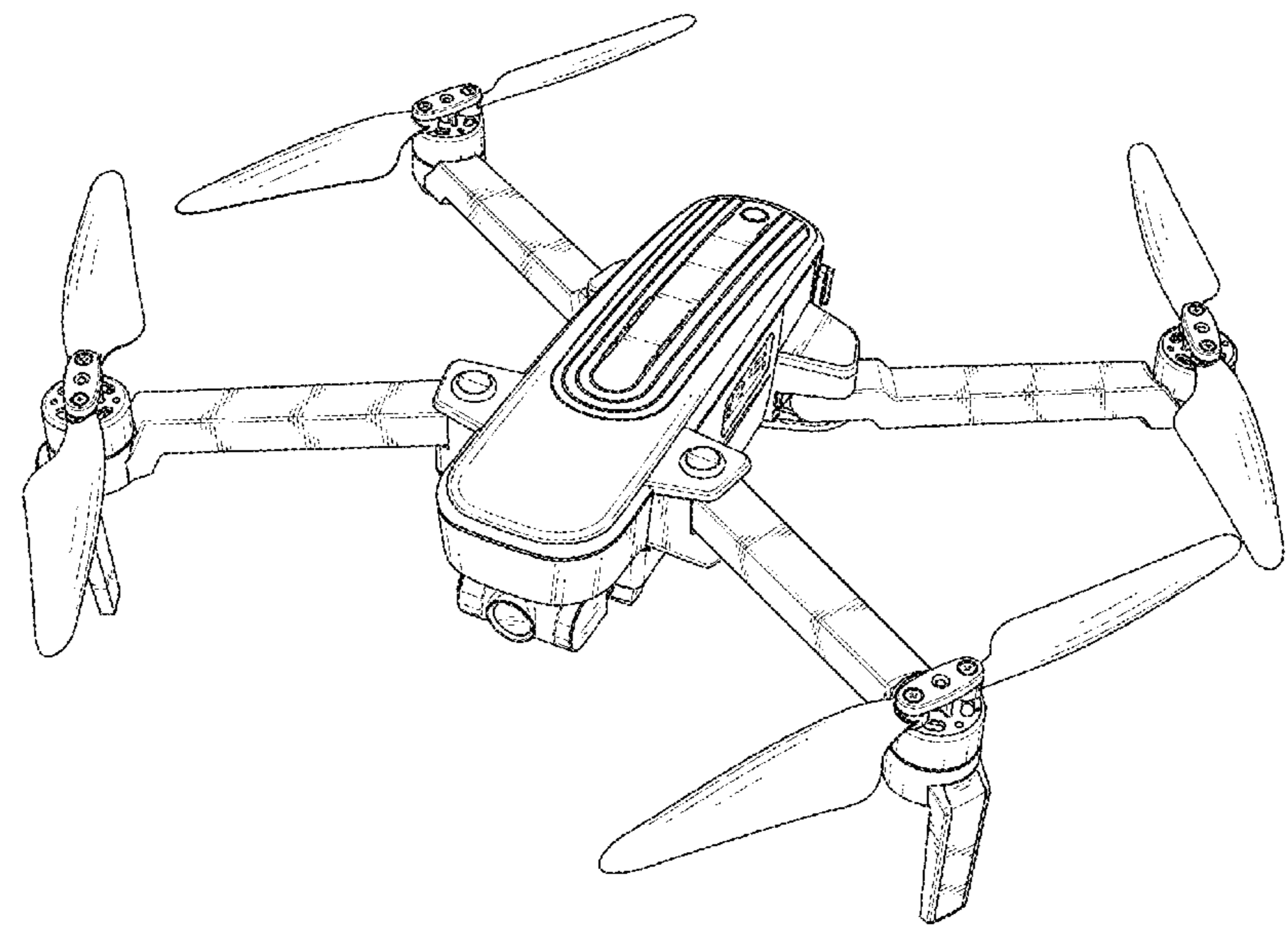
The ornamental design for a drone, as shown and described.

**DESCRIPTION**

FIG. 1 is a perspective view of a drone in an extended mode embodying the new design;  
FIG. 2 is a front view thereof;  
FIG. 3 is a back view thereof;  
FIG. 4 is a side view thereof;  
FIG. 5 is another side view thereof;  
FIG. 6 is a top view thereof;  
FIG. 7 is a bottom view thereof;  
FIG. 8 is another perspective view of the drone in a folded mode embodying the new design;  
FIG. 9 is a front view of the drone in folded mode thereof;  
FIG. 10 is a back view of the drone in folded mode thereof;  
FIG. 11 is a side view of the drone in folded mode thereof;  
FIG. 12 is another side of the drone in folded mode view thereof;  
FIG. 13 is a top view of the drone in folded mode thereof;  
and,  
FIG. 14 is a bottom view of the drone in folded mode thereof.  
In the drawings, the broken lines depict unclaimed subject matter only and form no part of the claimed design.

(56) **References Cited**  
U.S. PATENT DOCUMENTS  
D133,001 S \* 7/1942 Spooner ..... D12/344  
D189,462 S \* 12/1960 Vogt ..... D12/329  
D197,038 S \* 12/1963 Howard ..... D12/329  
D439,378 S \* 3/2001 Loomis ..... D30/160  
D458,892 S \* 6/2002 DeTore ..... D12/319  
D461,159 S \* 8/2002 Miralles ..... D12/319  
D465,196 S \* 11/2002 Dammar ..... D12/328  
D628,658 S \* 12/2010 Wurm ..... D21/442  
8,016,226 B1 \* 9/2011 Wood ..... B64C 29/0033  
244/12.4  
D648,808 S \* 11/2011 Seydoux ..... D21/441

**1 Claim, 14 Drawing Sheets**





(56)

## References Cited

## U.S. PATENT DOCUMENTS

8,983,682	B1 *	3/2015	Peeters	.....	B64C 39/024 244/190
D728,445	S *	5/2015	Colten	.....	D12/16.1
9,051,043	B1 *	6/2015	Peeters	.....	B64C 19/00
D741,751	S *	10/2015	Klaptocz	.....	D12/16.1
D741,779	S *	10/2015	Hsiao	.....	D12/16.1
D743,867	S *	11/2015	Kapitan	.....	D12/319
9,199,733	B2 *	12/2015	Keennon	.....	B64C 27/12
D749,490	S *	2/2016	Klick	.....	D12/319
9,260,184	B2 *	2/2016	Olm	.....	B64C 27/08
D756,842	S *	5/2016	Ashjaee	.....	D12/16.1
D759,764	S *	6/2016	Lai	.....	D12/16.1
9,359,070	B2 *	6/2016	Caubel	.....	B64C 27/08
D760,848	S *	7/2016	McKenna	.....	D12/16.1
D761,690	S *	7/2016	Friesmuth	.....	D12/16.1
9,387,927	B2 *	7/2016	Rischmuller	.....	B64C 39/024
D763,134	S *	8/2016	Wang	.....	D12/16.1
D767,043	S *	9/2016	Morrison	.....	D12/16.1
D768,539	S *	10/2016	Lee	.....	D12/16.1
D768,540	S *	10/2016	Ji	.....	D12/16.1
D768,789	S *	10/2016	Fargeau	.....	D12/16.1
D770,572	S *	11/2016	Caubel	.....	D21/441
D772,756	S *	11/2016	Gambus	.....	D12/16.1
D772,991	S *	11/2016	Caubel	.....	D12/16.1
9,493,235	B2 *	11/2016	Zhou	.....	B60F 5/02
D777,263	S *	1/2017	Lavagen	.....	D12/16.1
9,540,121	B2 *	1/2017	Byers	.....	B64C 39/024
D779,595	S *	2/2017	Xiao	.....	D12/16.1
9,567,076	B2 *	2/2017	Zhang	.....	B64C 1/00
D782,365	S *	3/2017	Hung	.....	D12/16.1
D782,366	S *	3/2017	Xiao	.....	D12/16.1
9,592,910	B1 *	3/2017	Beckman	.....	B64C 27/463
9,594,381	B1 *	3/2017	Clark	.....	G05D 1/101
9,599,992	B2 *	3/2017	Kohstall	.....	G05D 1/101
D783,727	S *	4/2017	Xiao	.....	D21/441
D784,201	S *	4/2017	Goldy	.....	D12/16.1
D784,202	S *	4/2017	Park	.....	D12/16.1
D784,854	S *	4/2017	Huang	.....	D12/16.1
D785,541	S *	5/2017	Du	.....	D12/328
D785,717	S *	5/2017	Xiao	.....	D21/441
D789,248	S *	6/2017	Ketcher	.....	D12/16.1
9,676,481	B1 *	6/2017	Buchmueller	.....	B64D 1/12
9,682,772	B2 *	6/2017	Yoon	.....	B60F 5/02
D793,482	S *	8/2017	Wang	.....	D12/16.1
D793,486	S *	8/2017	Lee	.....	D21/453
D795,741	S *	8/2017	Li	.....	D12/16.1
D795,742	S *	8/2017	Li	.....	D12/16.1
D795,743	S *	8/2017	Li	.....	D12/16.1
D795,784	S *	8/2017	Guo	.....	D12/328
D795,967	S *	8/2017	Haley	.....	D12/16.1
D796,586	S *	9/2017	Chen	.....	D12/16.1
D797,602	S *	9/2017	Li	.....	D12/16.1
D797,859	S *	9/2017	Caubel	.....	D21/441
D798,961	S *	10/2017	Li	.....	D21/441
D798,962	S *	10/2017	Xiao	.....	D21/441
D798,963	S *	10/2017	Xiao	.....	D21/441
D799,402	S *	10/2017	Cummings	.....	D12/327
D800,016	S *	10/2017	Huang	.....	D12/16.1
D801,224	S *	10/2017	Li	.....	D12/16.1
D801,856	S *	11/2017	Zhou	.....	D12/16.1
D803,098	S *	11/2017	Lee	.....	D12/16.1
D803,328	S *	11/2017	Lee	.....	D21/441
D805,425	S *	12/2017	Hanscom	.....	D11/202
D805,431	S *	12/2017	Li	.....	D12/16.1
D806,606	S *	1/2018	Morrison	.....	D12/16.1
D807,273	S *	1/2018	Koppenwallner	.....	D12/337
D807,785	S *	1/2018	Taylor	.....	D12/16.1
D808,301	S *	1/2018	Goldy	.....	D12/16.1
D808,328	S *	1/2018	Ivans	.....	D12/328
9,868,524	B2 *	1/2018	Welsh	.....	B64C 39/024
D809,970	S *	2/2018	Zhou	.....	D12/16.1
D809,992	S *	2/2018	Hu	.....	D12/328
D810,653	S *	2/2018	Hu	.....	D12/327
D813,143	S *	3/2018	Belik	.....	D12/326
D813,723	S *	3/2018	Ahn	.....	D12/16.1
D813,724	S *	3/2018	Hu	.....	D12/16.1
9,927,682	B2 *	3/2018	Fisher	.....	G03B 15/006
D814,385	S *	4/2018	Zhao	.....	D12/328
D814,970	S *	4/2018	Chen	.....	D12/16.1
D814,971	S *	4/2018	Huang	.....	D12/16.1
D814,972	S *	4/2018	Ahn	.....	D12/16.1
D816,546	S *	5/2018	Wang	.....	D12/16.1
D816,581	S *	5/2018	Zhao	.....	D12/328
D817,850	S *	5/2018	Xiao	.....	D12/328
D818,872	S *	5/2018	Ho	.....	D12/16.1
D818,874	S *	5/2018	Tian	.....	D12/16.1
9,979,000	B2 *	5/2018	Qiu	.....	B64C 39/024
9,986,233	B1 *	5/2018	Curlander	.....	H04N 17/002
D819,749	S *	6/2018	Caubel	.....	D21/449
D822,579	S *	7/2018	Lienhard	.....	D12/328
10,011,346	B2 *	7/2018	Beckman	.....	B64C 11/18
D825,379	S *	8/2018	Gury	.....	D12/16.1
10,053,213	B1 *	8/2018	Tu	.....	B64C 29/0025
D827,723	S *	9/2018	Barajas	.....	D21/442
D827,724	S *	9/2018	Barajas	.....	D21/453
D830,229	S *	10/2018	Lutterodt	.....	D12/16.1
D830,896	S *	10/2018	Lutterodt	.....	D12/16.1
D830,946	S *	10/2018	Matus	.....	D12/328
D831,538	S *	10/2018	Gan	.....	D12/16.1
10,086,309	B2 *	10/2018	Yamada	.....	A63H 27/12
10,095,087	B2 *	10/2018	Kim	.....	B64C 25/10
10,131,426	B2 *	11/2018	Judas	.....	B64C 29/0025
10,131,428	B1 *	11/2018	Sopper	.....	B64C 27/08
10,150,563	B2 *	12/2018	Harada	.....	G05B 19/048
10,155,585	B2 *	12/2018	Johannesson	.....	B64C 27/50
10,185,318	B2 *	1/2019	Enke	.....	G05D 1/0088
10,189,580	B2 *	1/2019	Lorell	.....	B64D 47/08
10,192,538	B2 *	1/2019	Yamagishi	.....	B64C 39/024
10,203,692	B2 *	2/2019	Smith	.....	G05D 1/0094
10,217,367	B2 *	2/2019	Chun	.....	B64C 39/024
10,222,808	B2 *	3/2019	Bardinet	.....	B64C 39/024
10,224,526	B2 *	3/2019	Qiu	.....	B64C 39/024
2011/0001020	A1 *	1/2011	Forgac	.....	B64C 29/0033 244/7 A
2015/0051755	A1 *	2/2015	Erhart	.....	A63H 27/12 701/2
2015/0321759	A1 *	11/2015	Caubel	.....	B64C 39/024 244/17.23
2016/0179096	A1 *	6/2016	Bradlow	.....	B64C 19/00 701/8
2017/0274983	A1 *	9/2017	Beckman	.....	B64C 11/48

\* cited by examiner

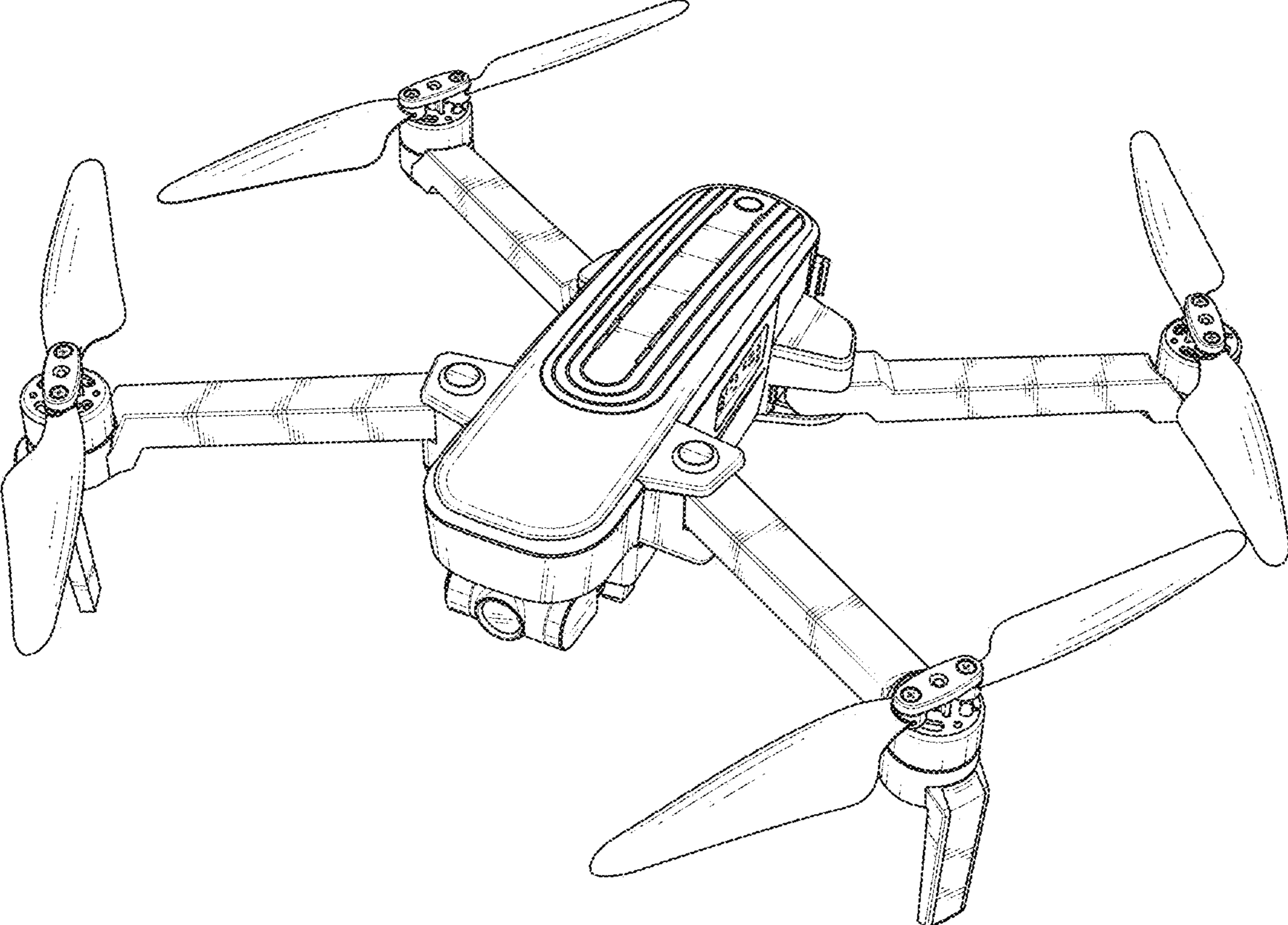


FIG. 1

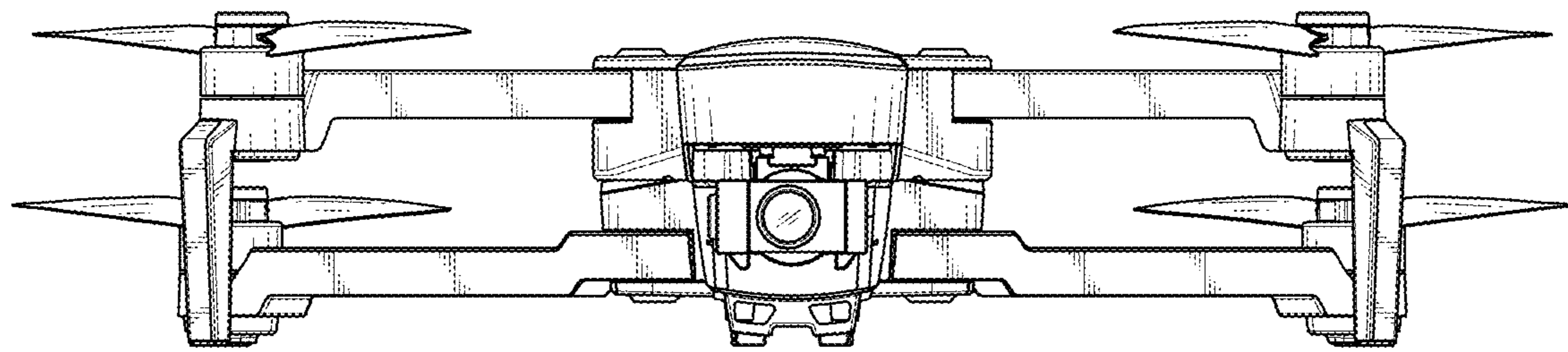


FIG. 2

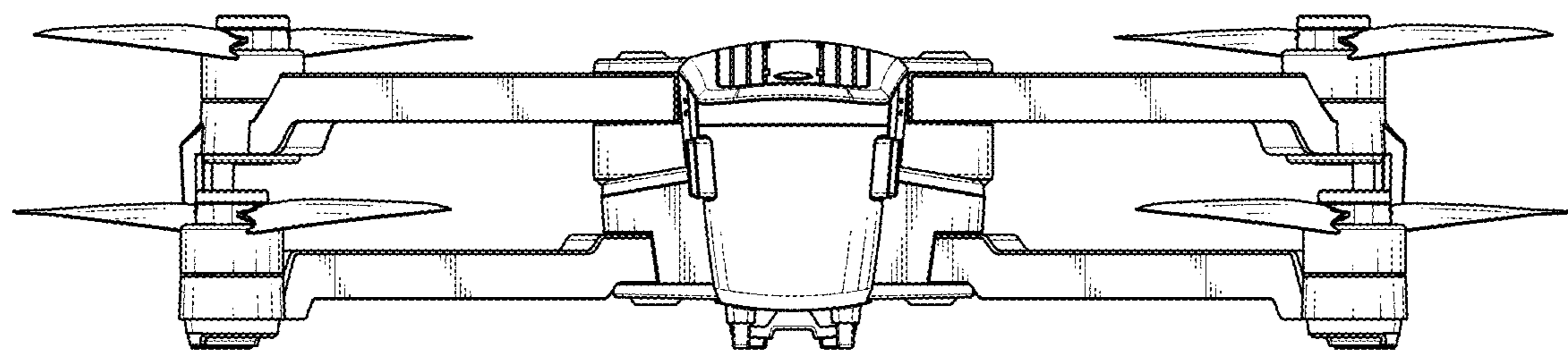


FIG. 3



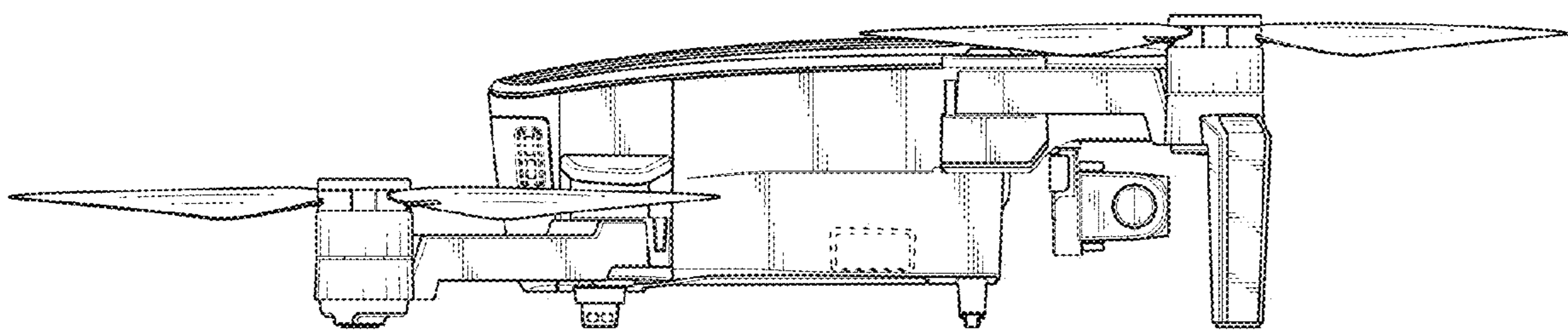


FIG. 4

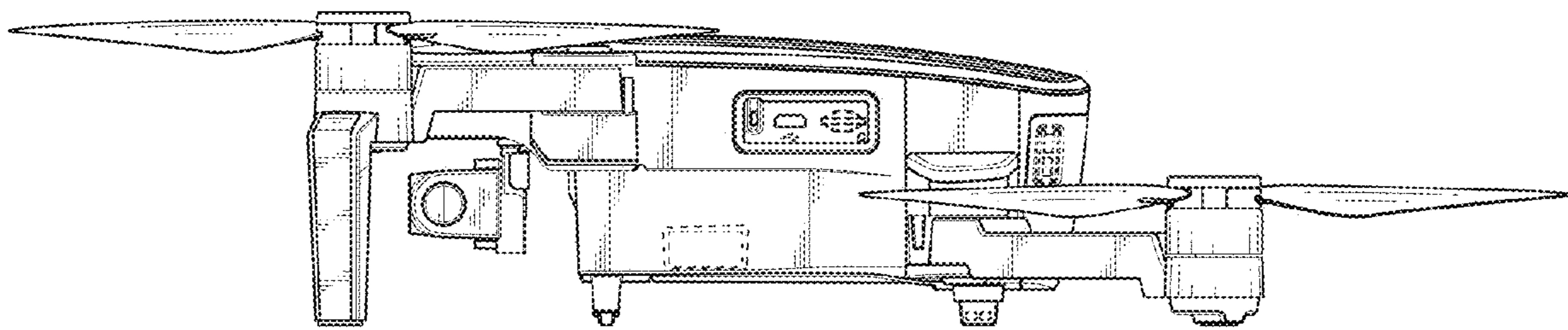


FIG. 5

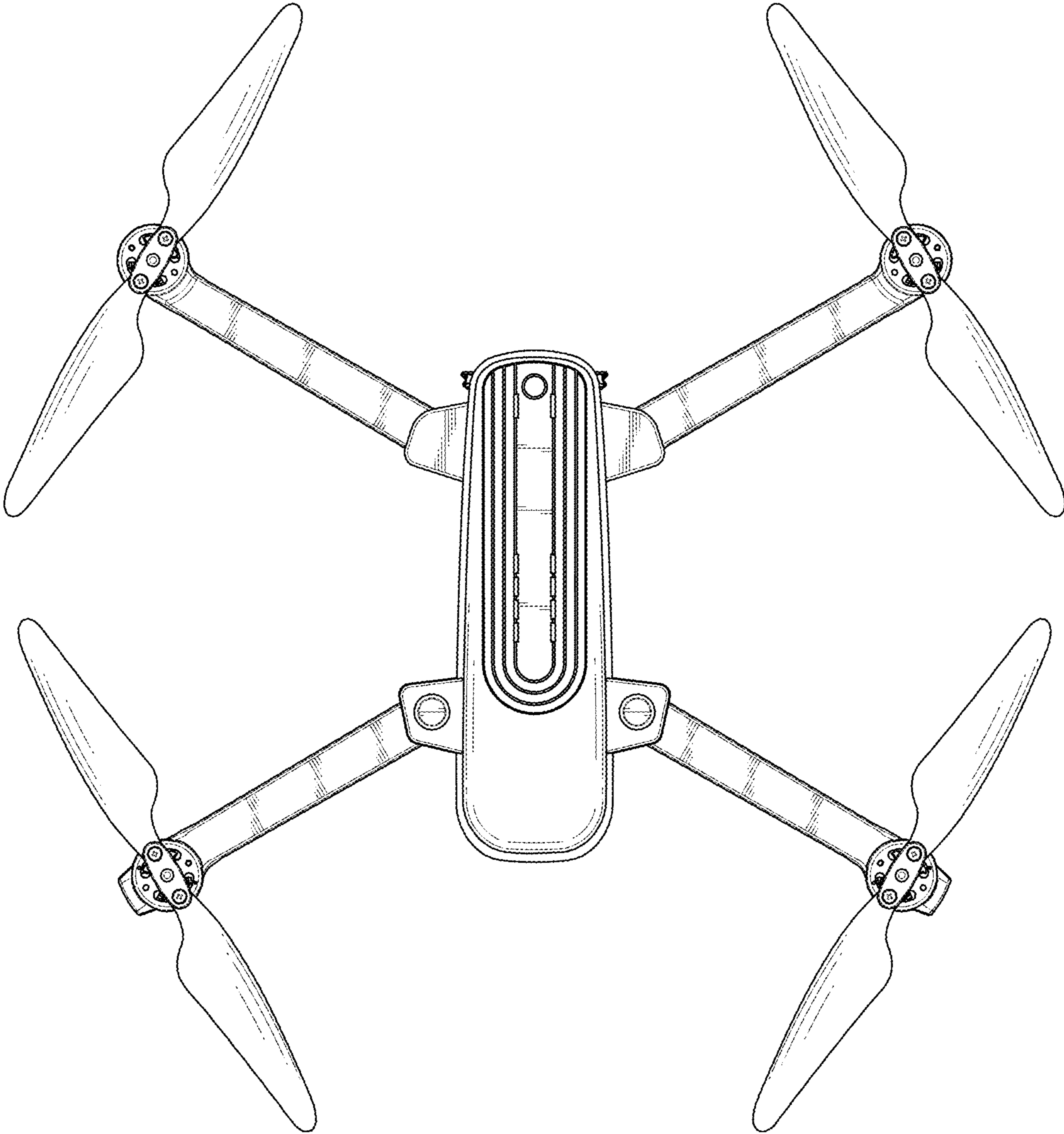


FIG. 6



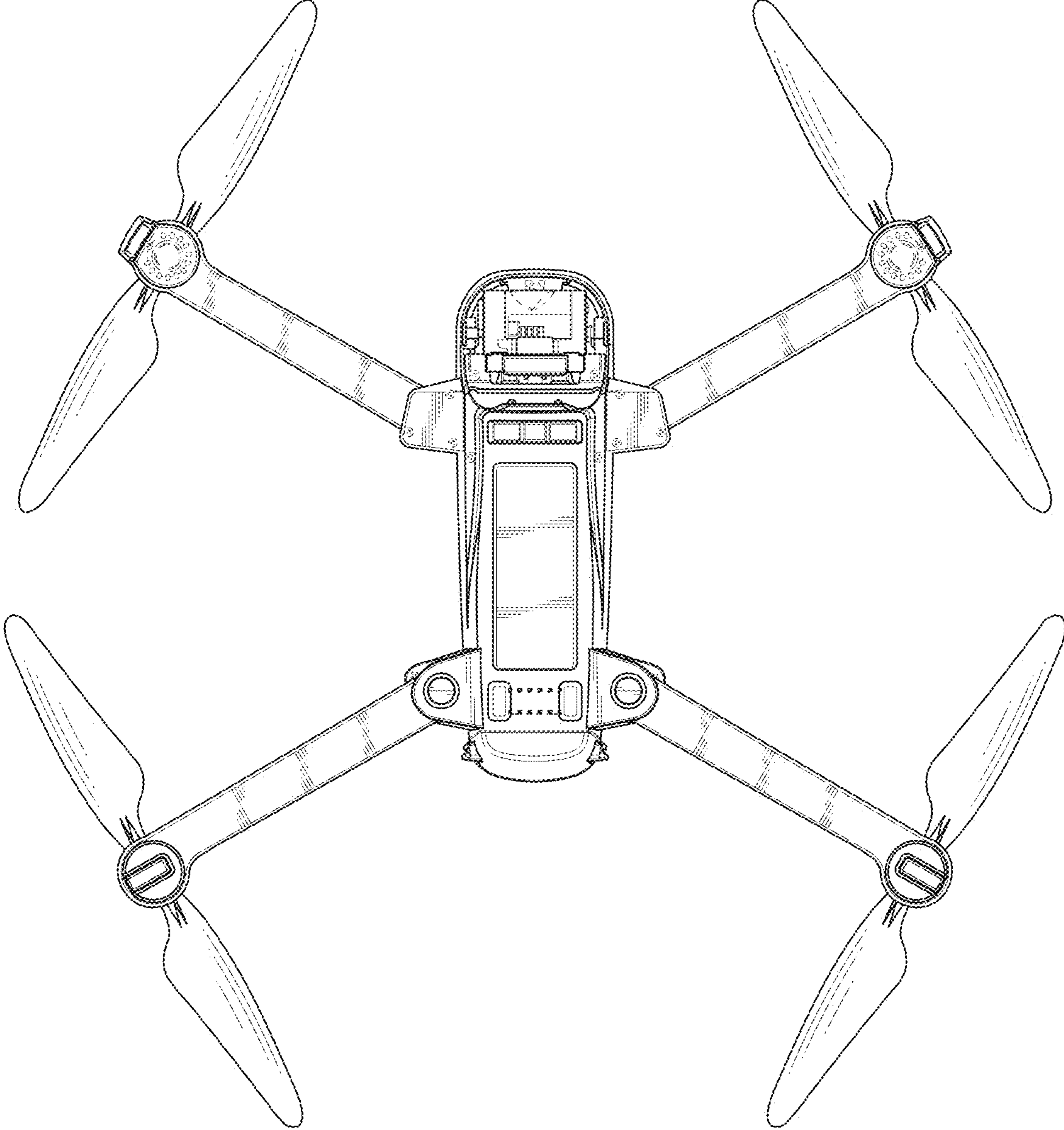


FIG. 7

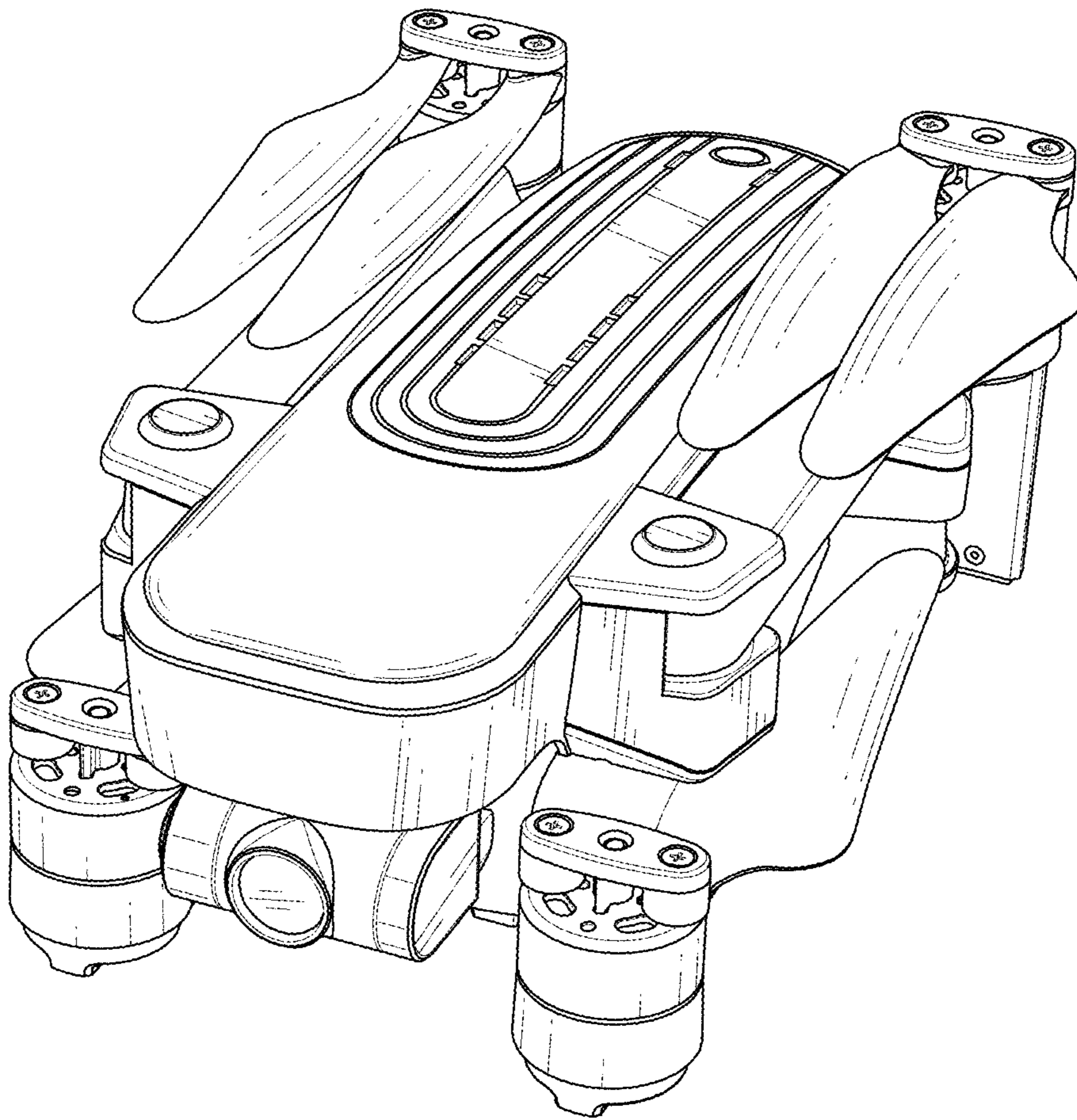


FIG. 8

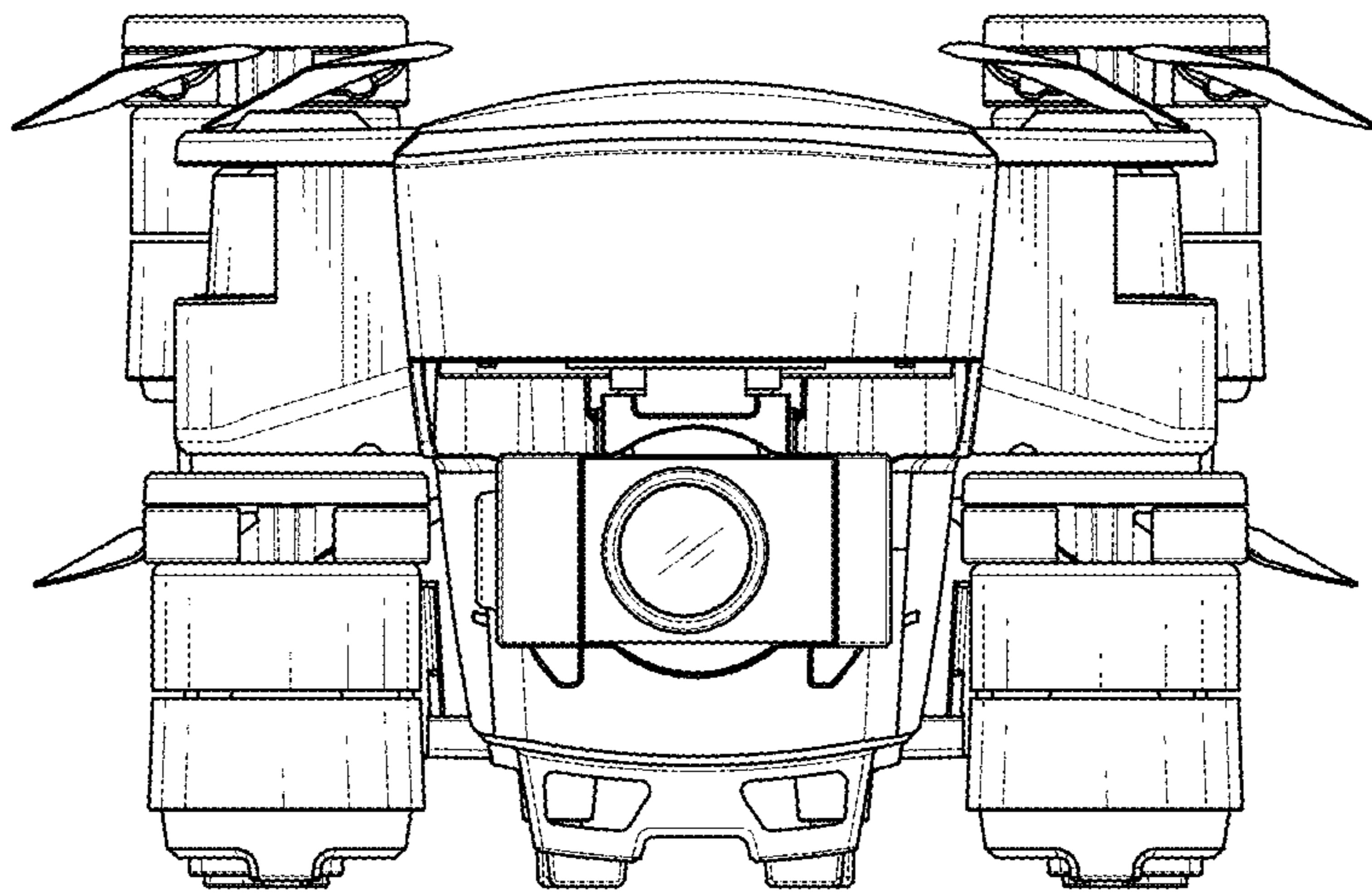


FIG. 9

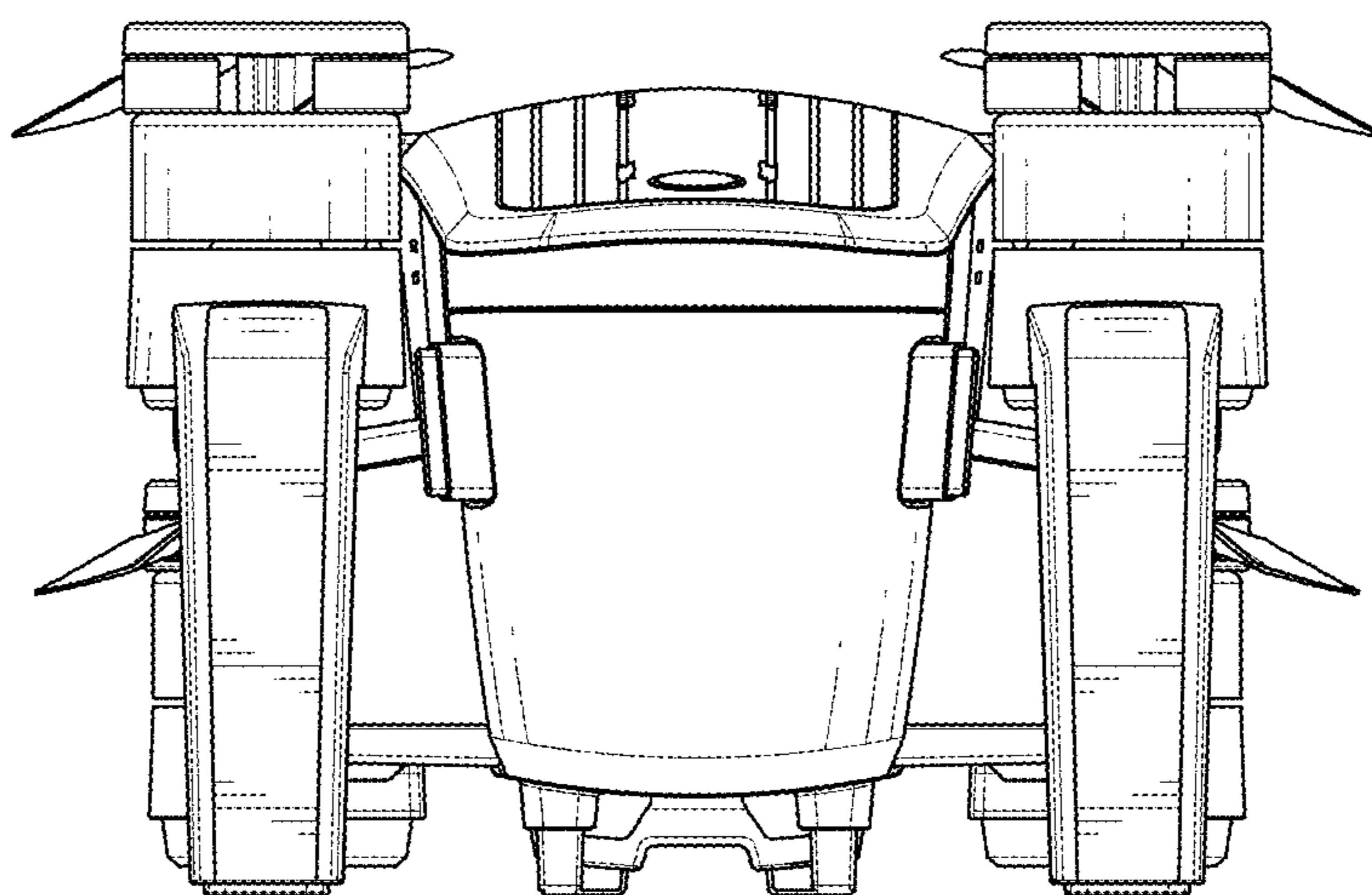


FIG. 10



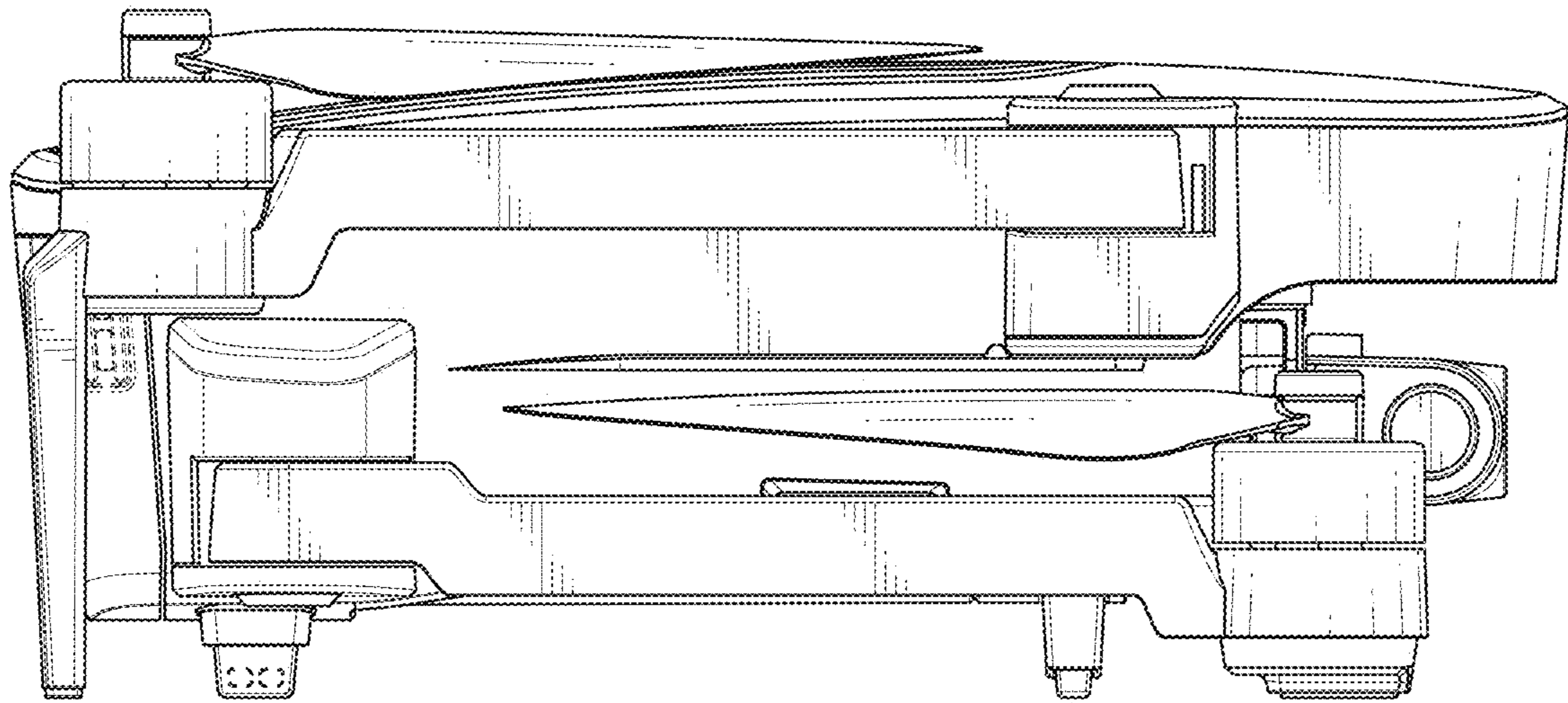


FIG. 11

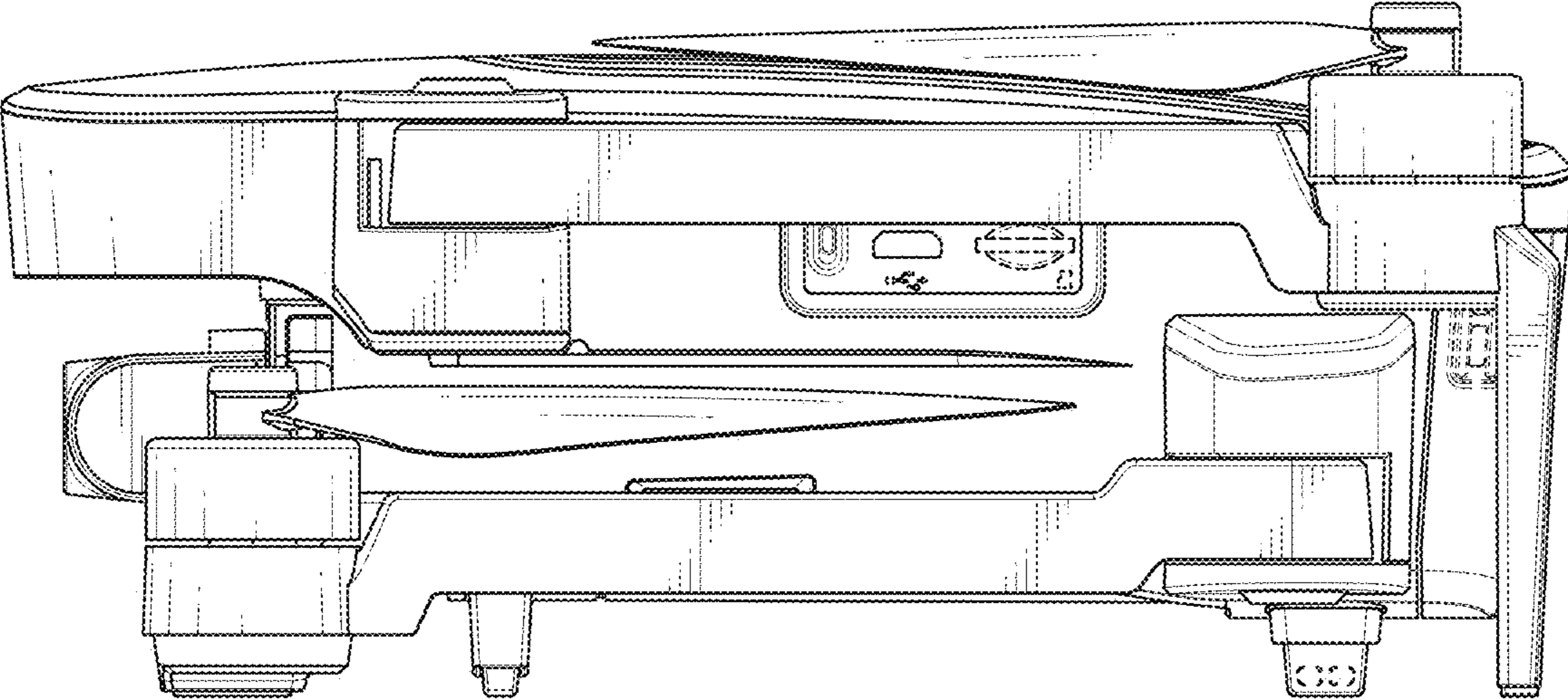


FIG. 12

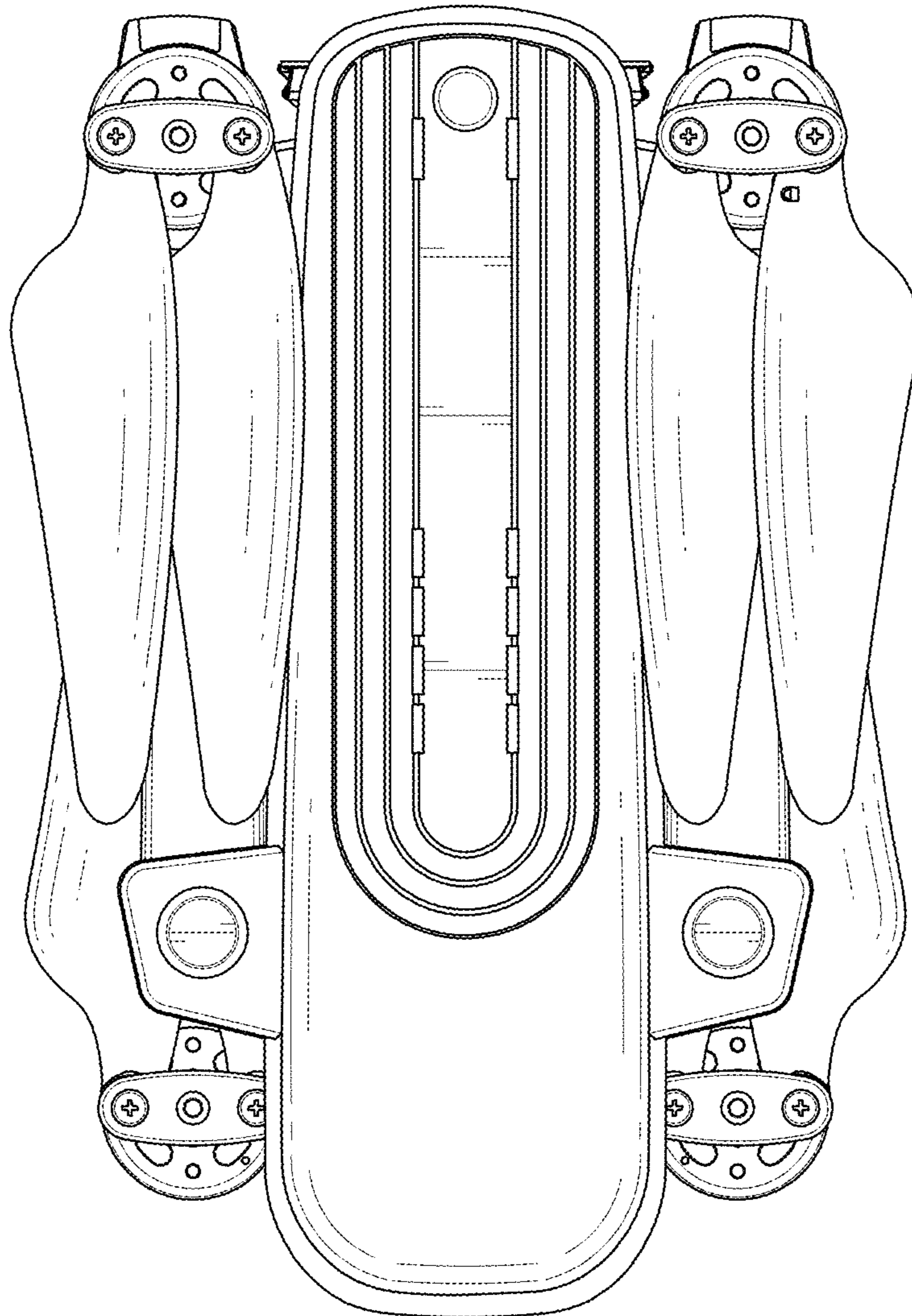


FIG. 13

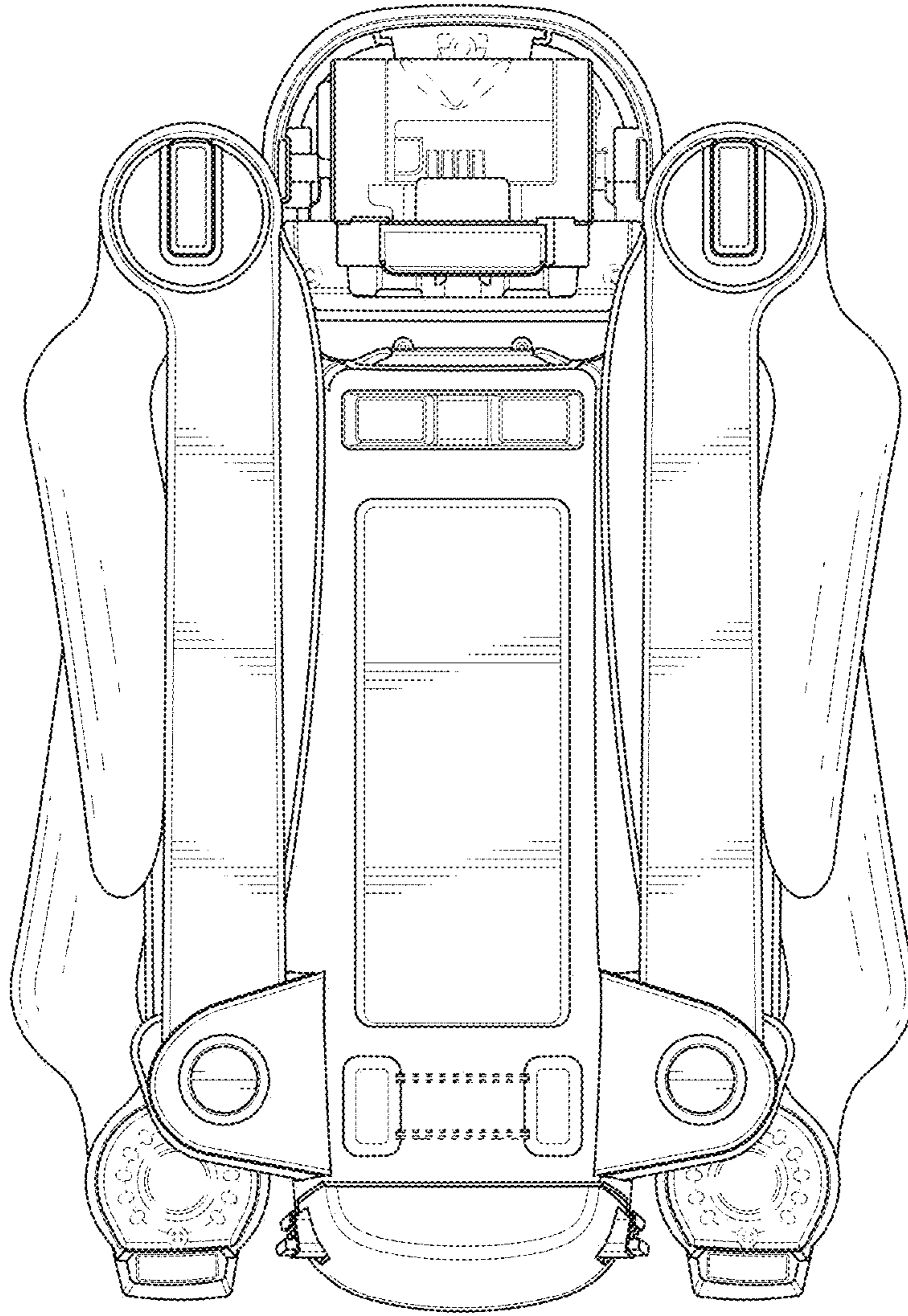


FIG. 14