



US00D873174S

(12) **United States Design Patent**
Sokuza

(10) **Patent No.:** **US D873,174 S**
(45) **Date of Patent:** **** Jan. 21, 2020**

(54) **AUTOMATIC GUIDED VEHICLE**

(71) Applicant: **NIDEC-SHIMPO CORPORATION**,
Kyoto (JP)

(72) Inventor: **Masashi Sokuza**, Kyoto (JP)

(73) Assignee: **NIDEC-SHIMPO CORPORATION**,
Kyoto (JP)

(**) Term: **15 Years**

(21) Appl. No.: **29/662,317**

(22) Filed: **Sep. 5, 2018**

(30) **Foreign Application Priority Data**

Mar. 6, 2018 (JP) 2018-004639

(51) **LOC (12) Cl.** **12-14**

(52) **U.S. Cl.**
USPC **D12/1; D15/199**

(58) **Field of Classification Search**
USPC D12/1, 2, 3, 4, 5, 14, 16.1; D32/19-33;
D15/10, 22, 26, 199; D34/27, 28, 34, 35,
D34/26; D21/578; D24/18, 28, 34
(Continued)

(56) **References Cited**

U.S. PATENT DOCUMENTS

4,137,984 A * 2/1979 Jennings B62D 1/28
180/168

D413,551 S * 9/1999 Wilcox D12/1
(Continued)

Primary Examiner — T Chase Nelson

Assistant Examiner — Ania Aman

(74) *Attorney, Agent, or Firm* — JCIPRNET

(57) **CLAIM**

The ornamental design for an automatic guided vehicle, as shown and described.

DESCRIPTION

FIG. 1 is a perspective view of an automatic guided vehicle showing my new design;

FIG. 2 is a front view thereof, additionally the rear view is omitted since the rear view is a mirror image of the front side view;

FIG. 3 is a left side view thereof, additionally the right side view is omitted since the right side view is a mirror image of the left side view;

FIG. 4 is a top view thereof;

FIG. 5 is another perspective view thereof, wherein a raising plate and guiding pins of the present design are raised;

FIG. 6 is another front view thereof, wherein the raising plate and the guiding pins of the present design are raised;

FIG. 7 is another left side view thereof, wherein the raising plate and the guiding pins of the present design are raised;

FIG. 8 is another perspective view thereof, wherein the guiding pins of the present design are raised;

FIG. 9 is another front view thereof, wherein the guiding pins of the present design are raised;

FIG. 10 is another left side view thereof, wherein the guiding pins of the present design are raised; and

FIG. 11 is another perspective view thereof, wherein the raising plate is raised halfway of the present design and the guiding pins of the present design are raised;

FIG. 12 is another front view thereof, wherein the raising plate is raised halfway of the present design and the guiding pins of the present design are raised;

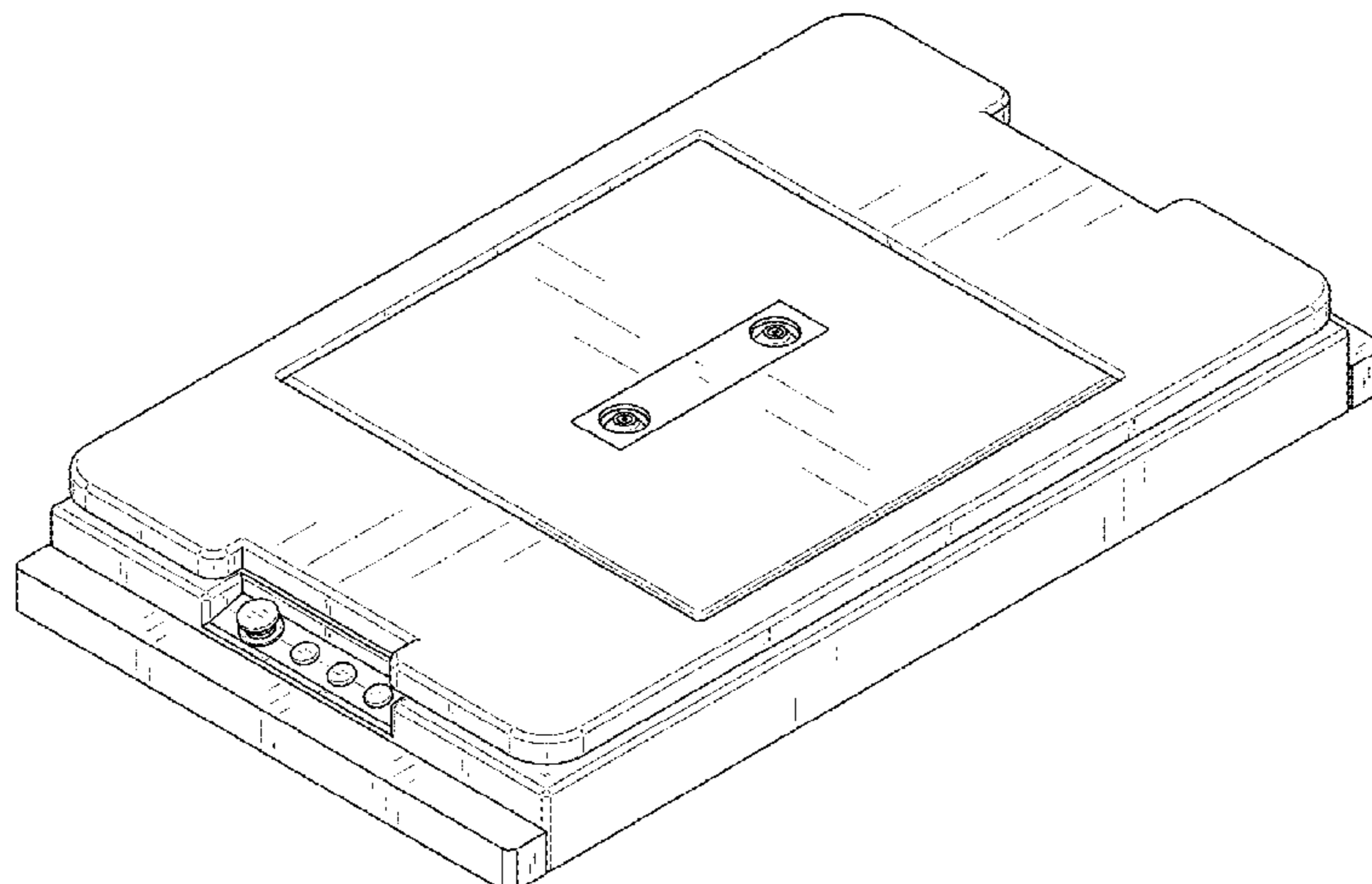
FIG. 13 is another left side view thereof, wherein the raising plate is raised halfway of the present design and the guiding pins of the present design are raised;

FIG. 14 is another left side view thereof, shown in environmental use, wherein the raising plate and the guiding pins of the present design are raised, an object to be conveyed is disposed on the present design on a walking surface; and,

FIG. 15 is another front view thereof, shown in environmental use, wherein the guiding pins of the present design are raised, another object to be conveyed is disposed on the present design on the walking surface.

A bottom view of the present design is omitted since it does not contain ornamental features. The dash lines of the objects to be conveyed and the walking surface in FIGS. 14 and 15 represent the environment only and form no part of the claimed design.

1 Claim, 10 Drawing Sheets



(58) **Field of Classification Search**

CPC ... B25J 5/005; B25J 5/007; B66F 9/22; B66F
9/063; B60P 9/00

See application file for complete search history.

(56) **References Cited**

U.S. PATENT DOCUMENTS

D810,799	S *	2/2018	Sokuza	D15/199
10,207,403	B1 *	2/2019	Wiley	B25J 9/162
2010/0263948	A1 *	10/2010	Couture	B25J 5/005
					180/8.2
2010/0312390	A1 *	12/2010	Dupourque	B25J 5/007
					700/253
2012/0183382	A1 *	7/2012	Couture	B25J 5/005
					414/547
2016/0195390	A1 *	7/2016	Nissen	B25J 9/1676
					702/155
2017/0120443	A1 *	5/2017	Kang	B25J 5/007
2018/0072212	A1 *	3/2018	Alfaro	B60G 3/08
2018/0169685	A1 *	6/2018	Taylor	B05B 12/122
2019/0100109	A1 *	4/2019	Wendeborn	B60L 53/36
2019/0163183	A1 *	5/2019	Wiley	G05D 1/0088
2019/0202048	A1 *	7/2019	Tarbaieva	B25J 5/007
2019/0263250	A1 *	8/2019	Lord	B60K 7/00

* cited by examiner

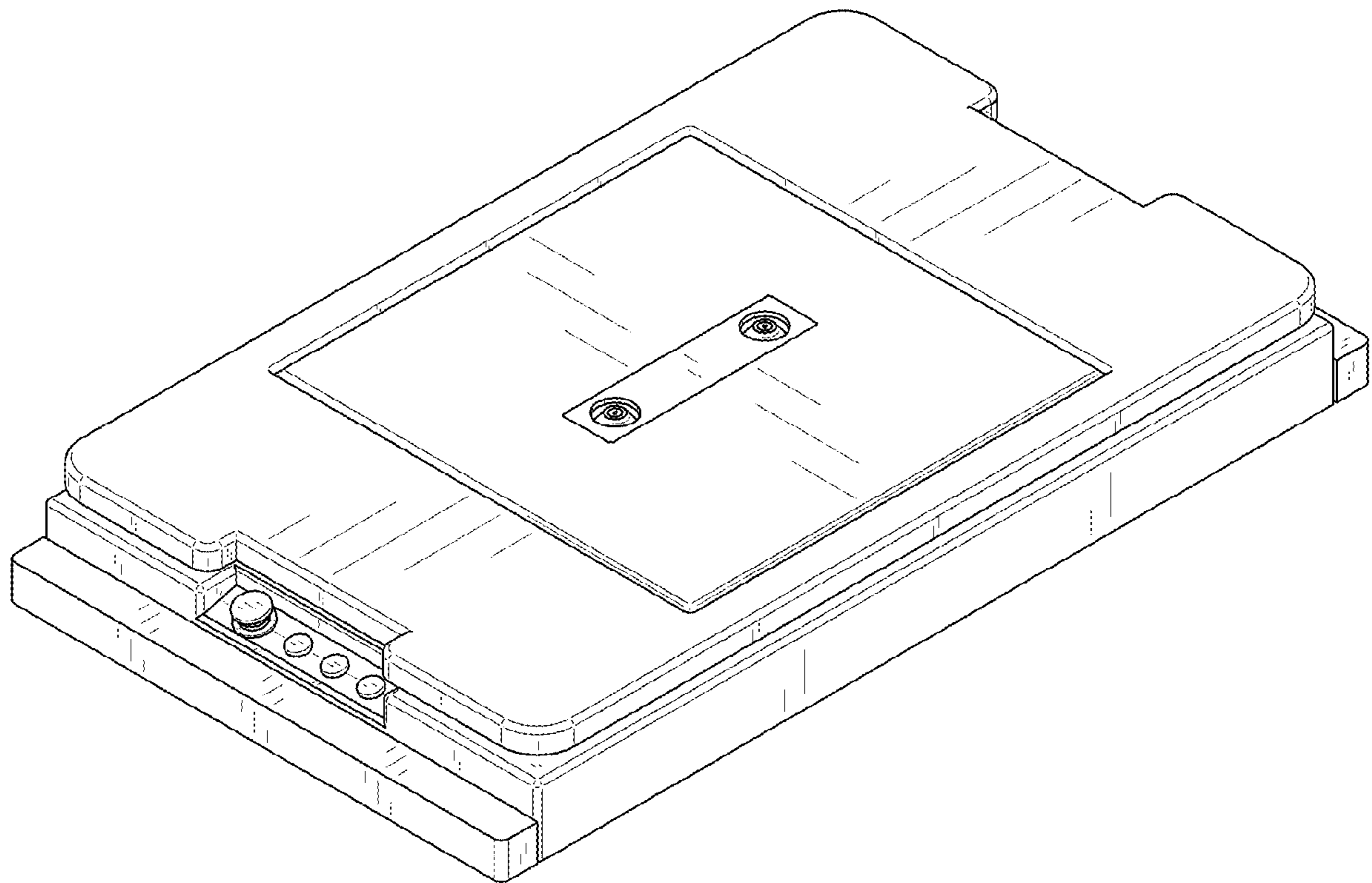


FIG. 1

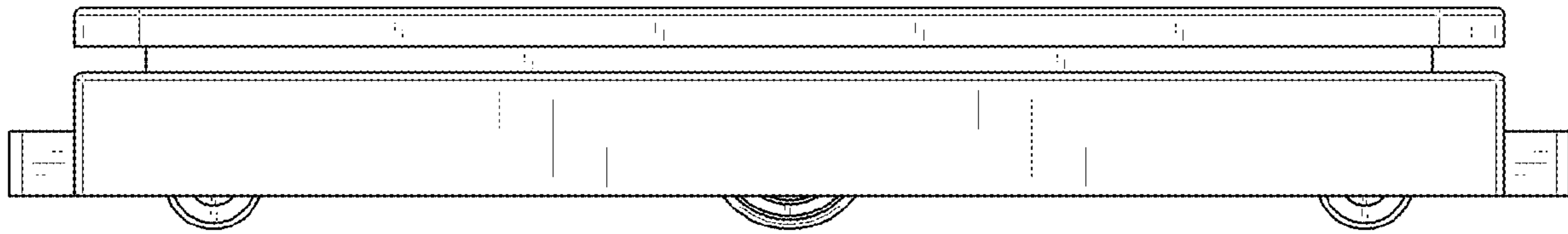


FIG. 2

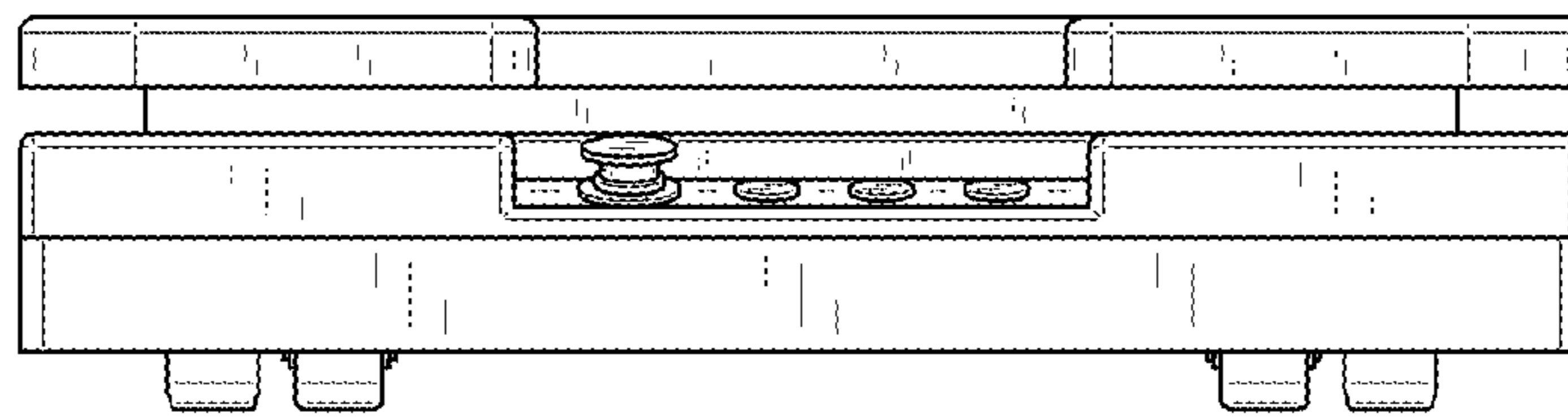


FIG. 3

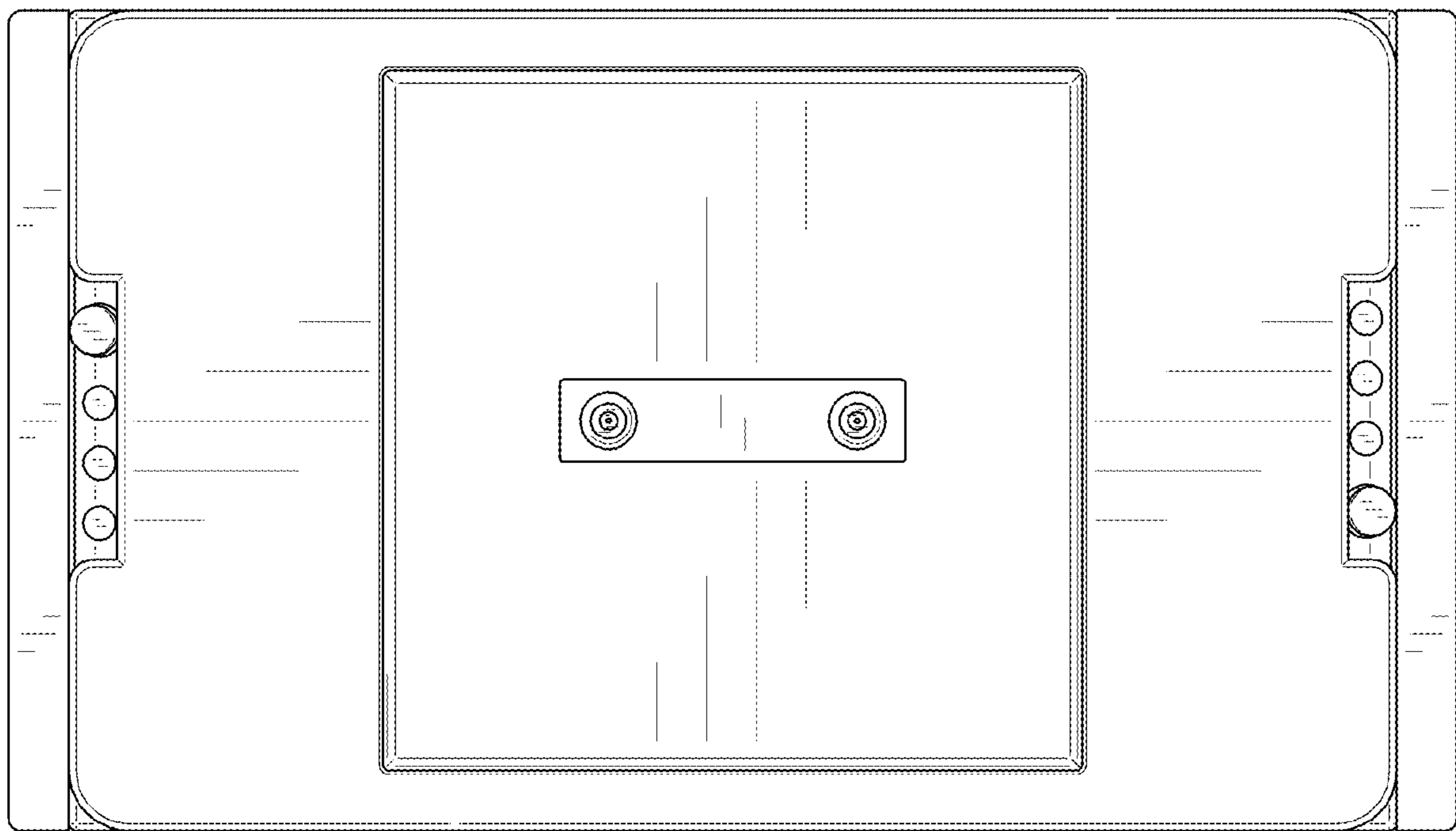


FIG. 4

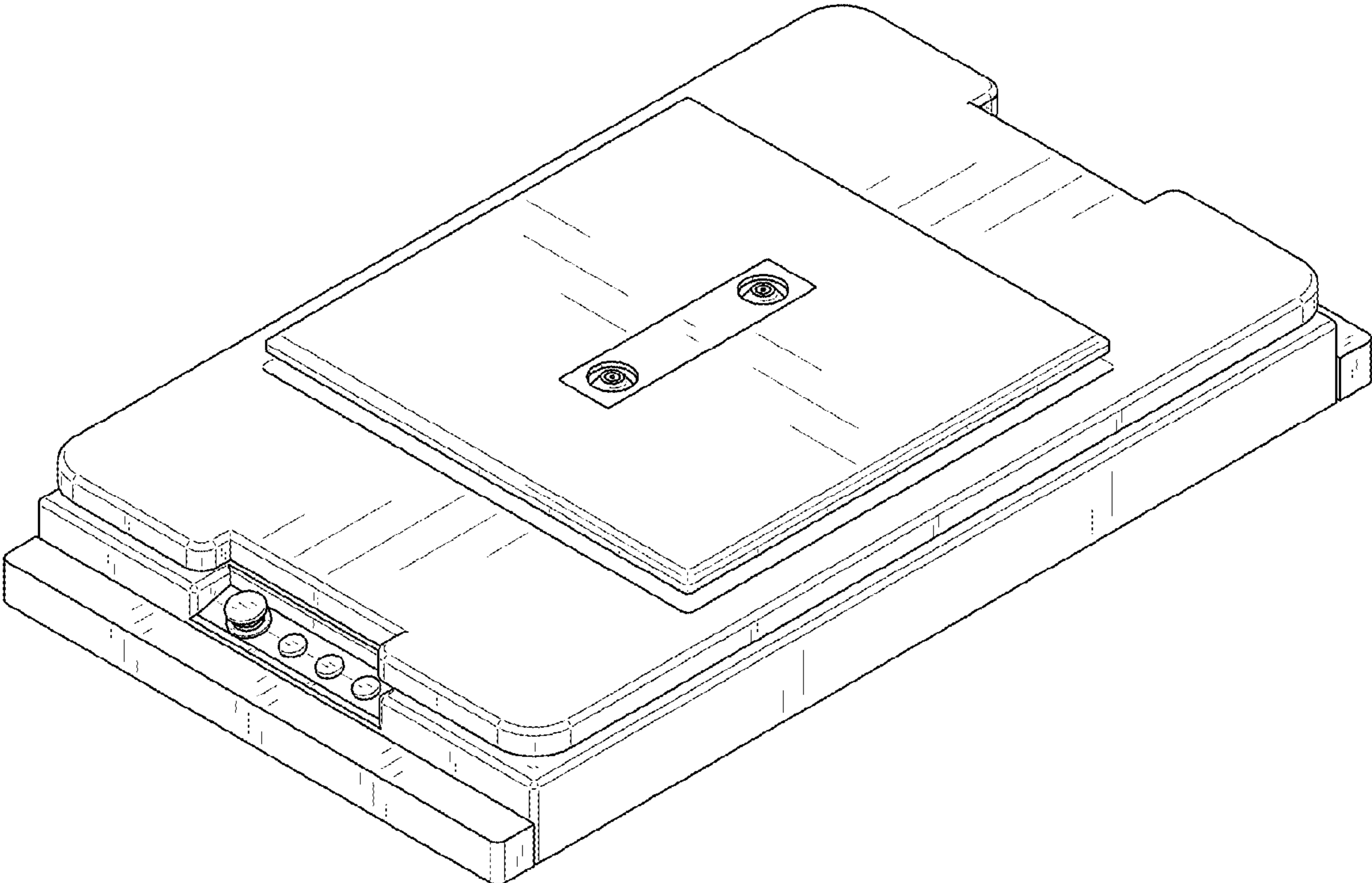


FIG. 5

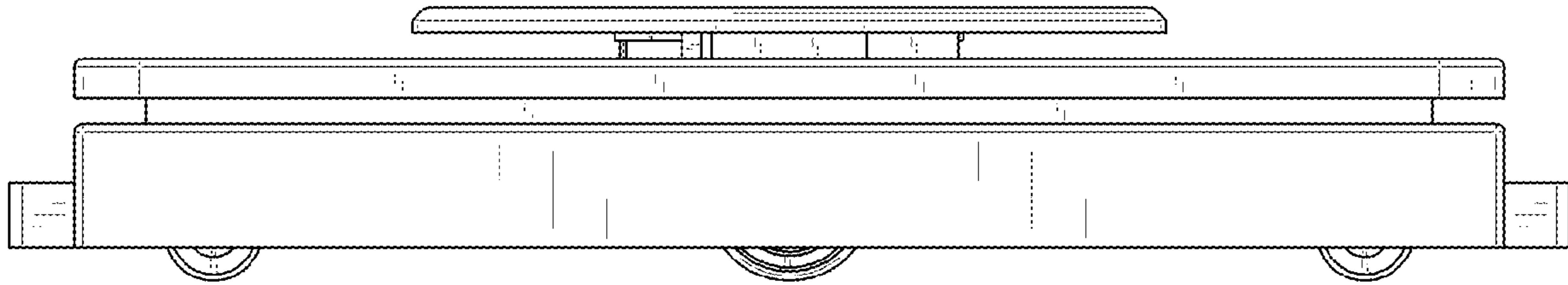


FIG. 6

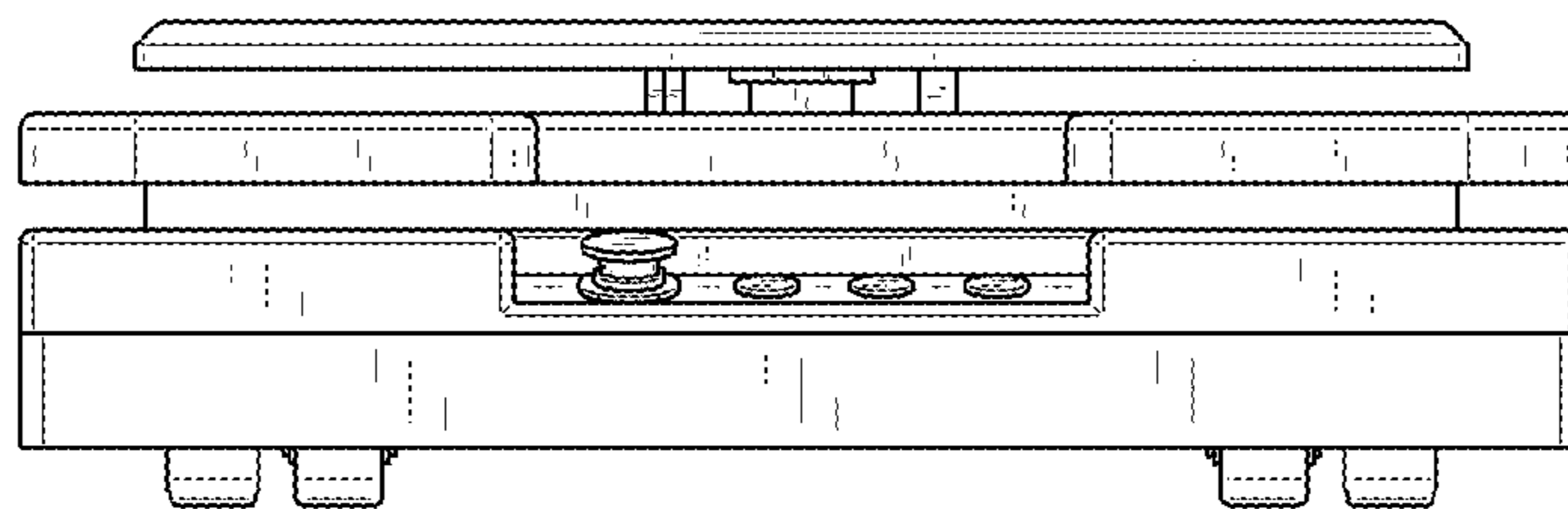


FIG. 7

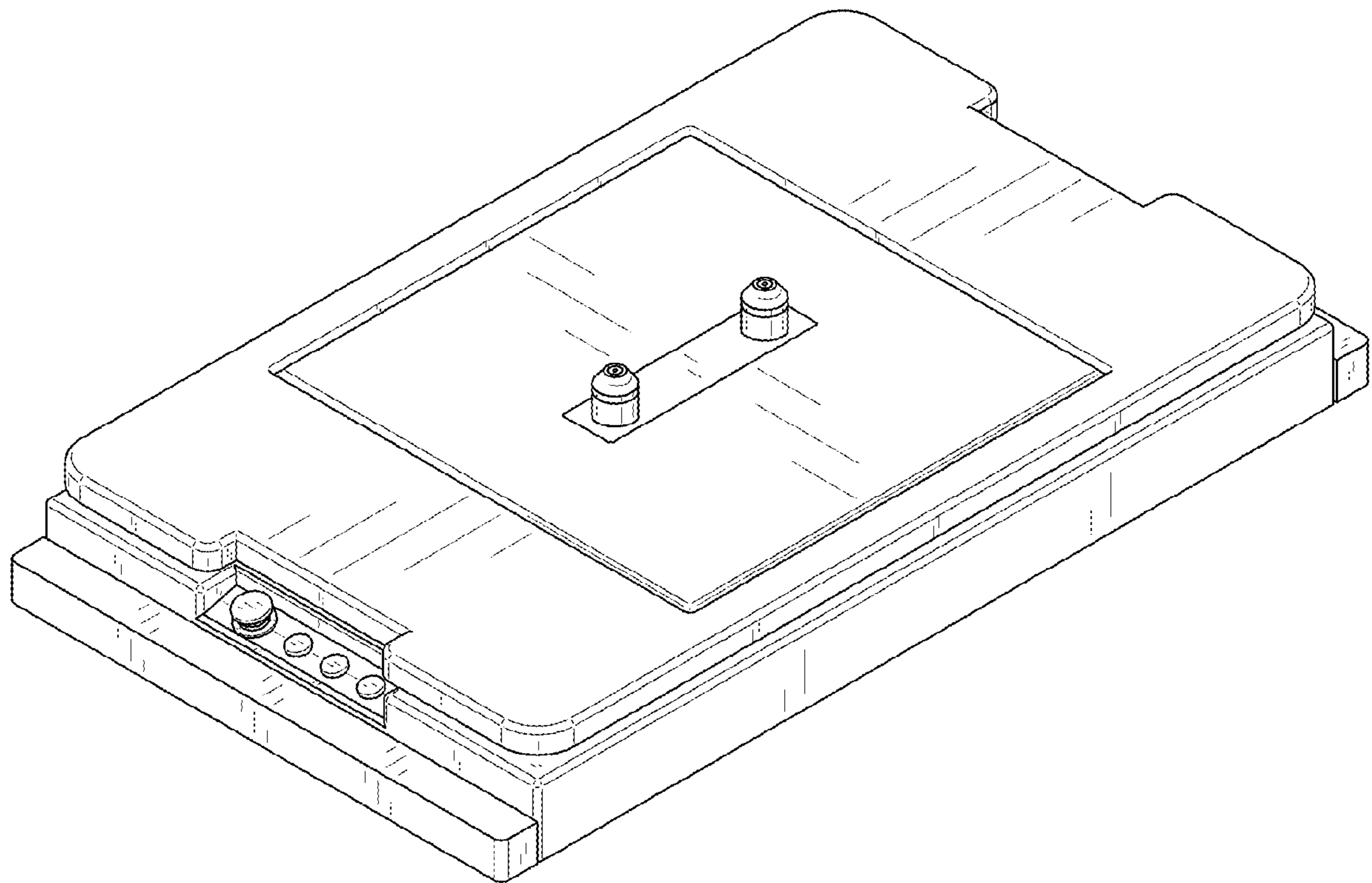


FIG. 8

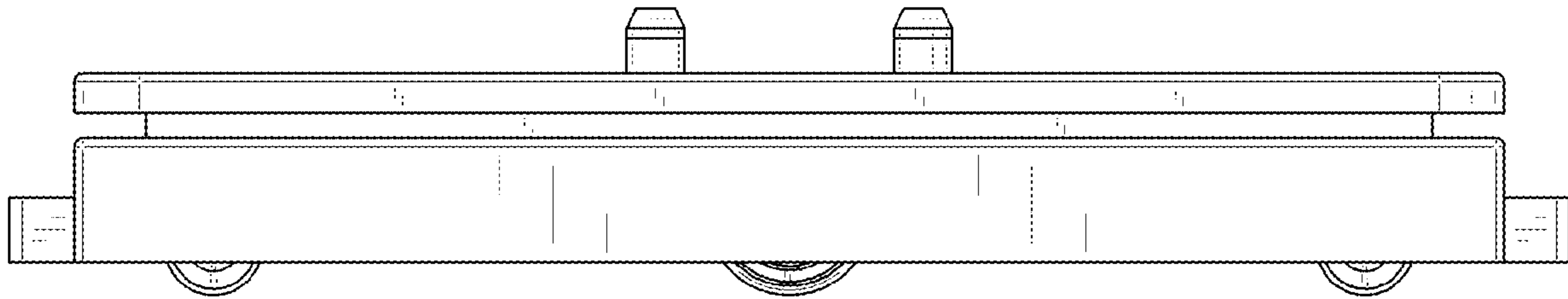


FIG. 9

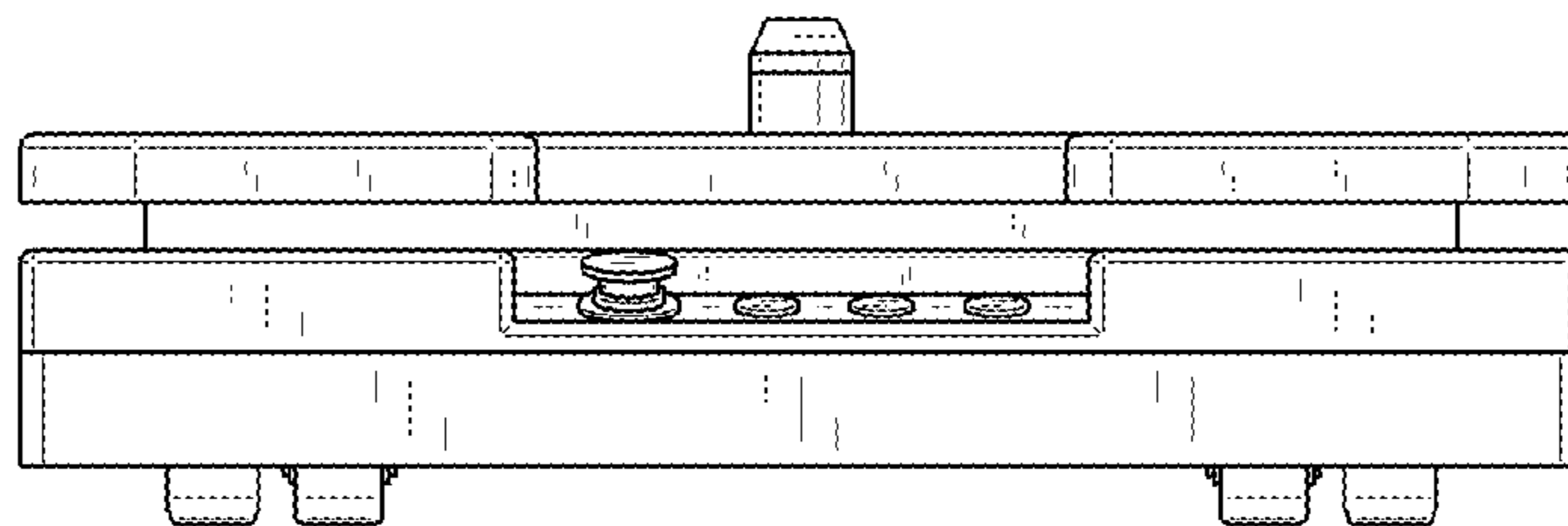


FIG. 10

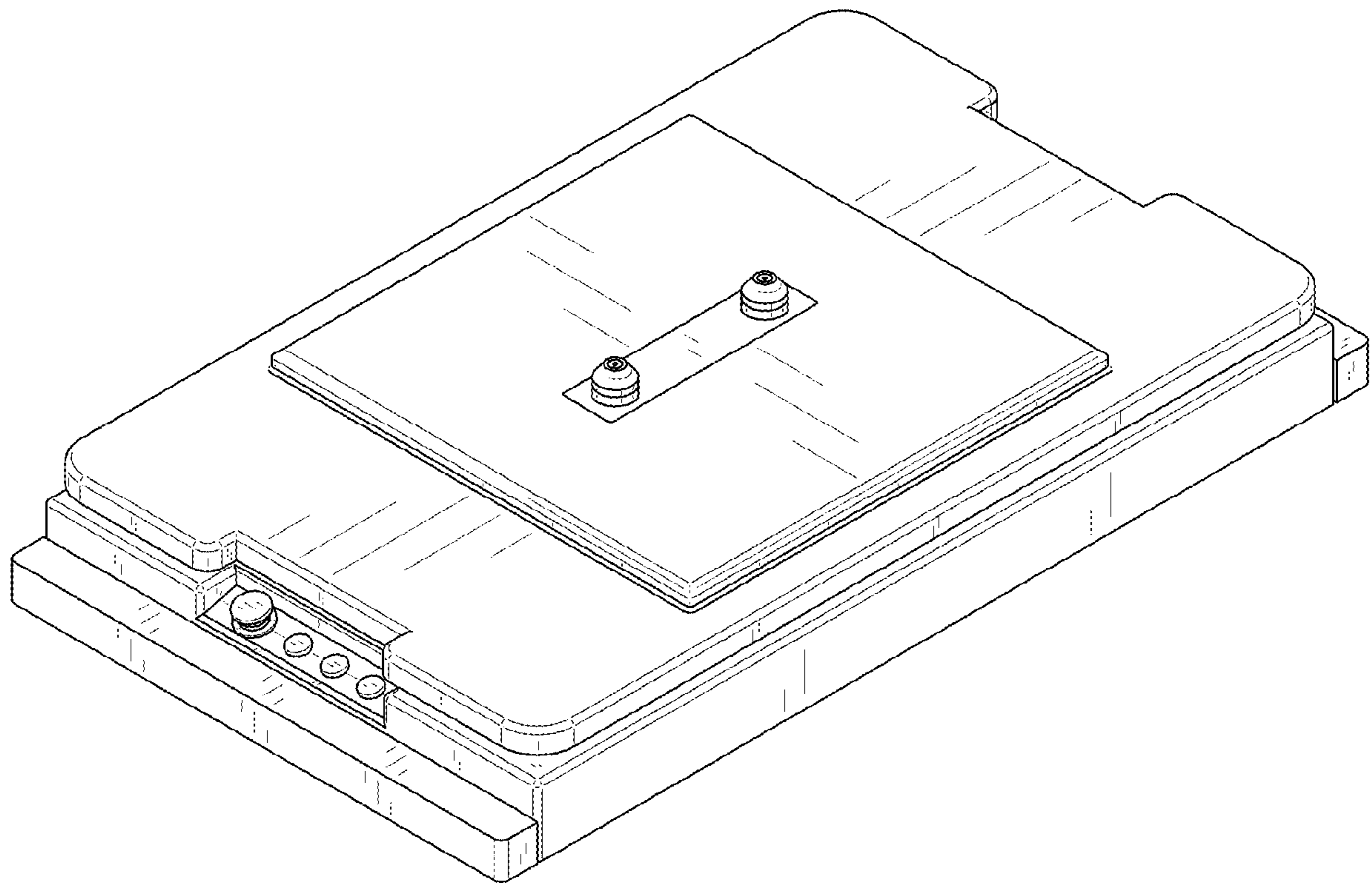


FIG. 11

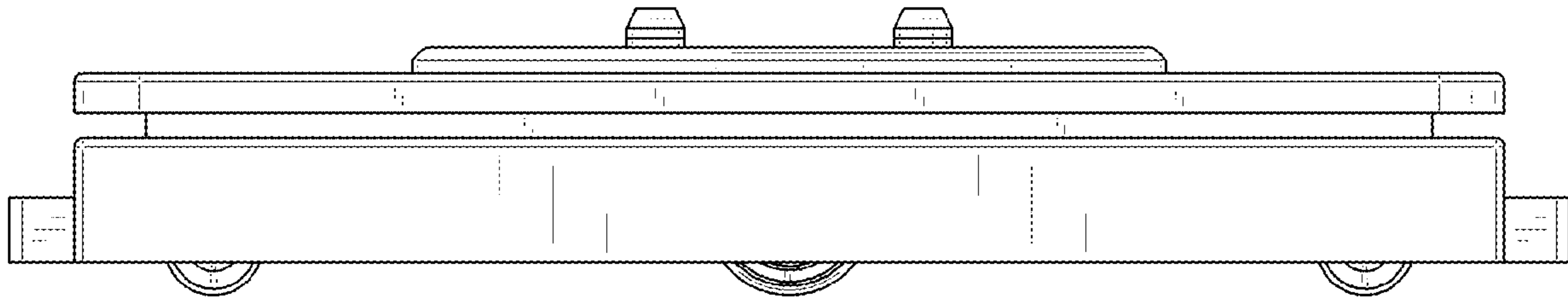


FIG. 12

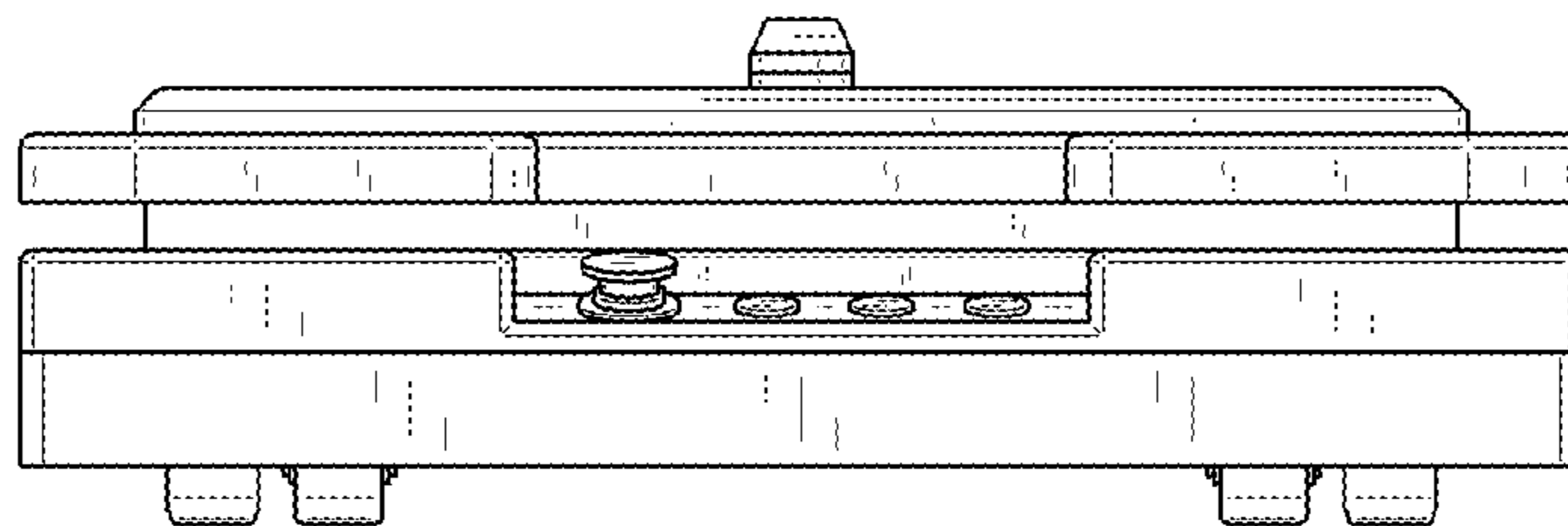


FIG. 13

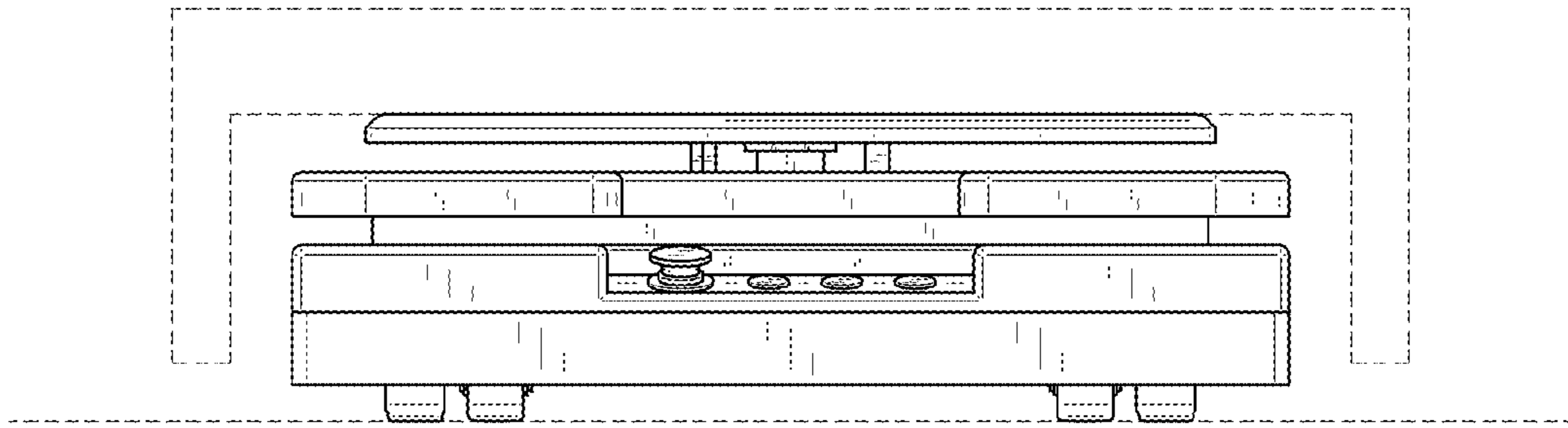


FIG. 14

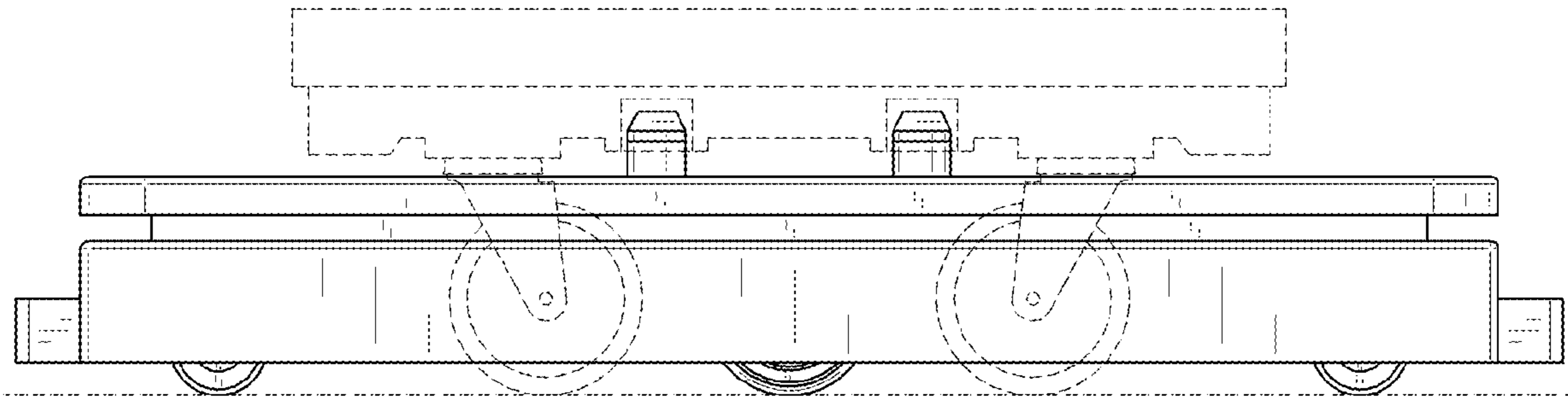


FIG. 15