



US00D873173S

(12) **United States Design Patent** (10) **Patent No.:** **US D873,173 S**  
**Brucker et al.** (45) **Date of Patent:** **\*\* Jan. 21, 2020**

(54) **AUTOMATED GUIDED VEHICLE**

(71) Applicant: **ASI Technologies, Inc.**,  
Montgomeryville, PA (US)

(72) Inventors: **Christopher Brucker**, Telford, PA  
(US); **Jeffrey Grabner**, Gilbertsville,  
PA (US); **John William Cross**,  
Collegeville, PA (US); **Robert M.**  
**Banion**, Harleysville, PA (US)

(73) Assignee: **ASI Technologies, Inc.**,  
Montgomeryville, PA (US)

(\*\*) Term: **15 Years**

(21) Appl. No.: **29/661,498**

(22) Filed: **Aug. 28, 2018**

(51) **LOC (12) Cl.** ..... **12-14**

(52) **U.S. Cl.**  
USPC ..... **D12/1; D15/199**

(58) **Field of Classification Search**  
USPC ..... D12/1, 2, 3, 4, 5, 14, 16.1; D32/19-33;  
D15/10, 22, 26, 199; D34/27, 28, 34, 35,  
D34/26; D21/578; D24/18, 28, 34  
CPC . B25J 5/005; B25J 5/007; B61B 13/00; B66F  
9/22; B66F 9/063; B60P 9/00; G05D  
1/0263; G05D 1/0238  
See application file for complete search history.

(56) **References Cited**

U.S. PATENT DOCUMENTS

5,183,368 A \* 2/1993 Douard ..... B61B 5/02  
198/465.1

D413,551 S \* 9/1999 Wilcox ..... D12/1

5,995,884 A \* 11/1999 Allen ..... G05D 1/0225  
701/24

D474,715 S \* 5/2003 Young ..... D12/1

10,239,544 B1 \* 3/2019 DeMartine ..... B61L 27/0005

D857,072 S \* 8/2019 Cyrulik ..... D15/199

2008/0196946 A1\* 8/2008 Filippov ..... B25J 5/005  
180/9.1

2010/0263948 A1\* 10/2010 Couture ..... B25J 5/005  
180/8.2

2010/0312390 A1\* 12/2010 Dupourque ..... B25J 5/007  
700/253

2015/0166060 A1 6/2015 Smith

2016/0195390 A1\* 7/2016 Nissen ..... B25J 9/1676  
702/155

2016/0349754 A1\* 12/2016 Mohr ..... G05D 1/0088

2017/0120443 A1\* 5/2017 Kang ..... B25J 5/007

2018/0072212 A1 3/2018 Alfaro et al.

2018/0169685 A1\* 6/2018 Taylor ..... B05B 12/122

(Continued)

*Primary Examiner* — T Chase Nelson  
*Assistant Examiner* — Ania Aman  
 (74) *Attorney, Agent, or Firm* — Caesar Rivise, PC

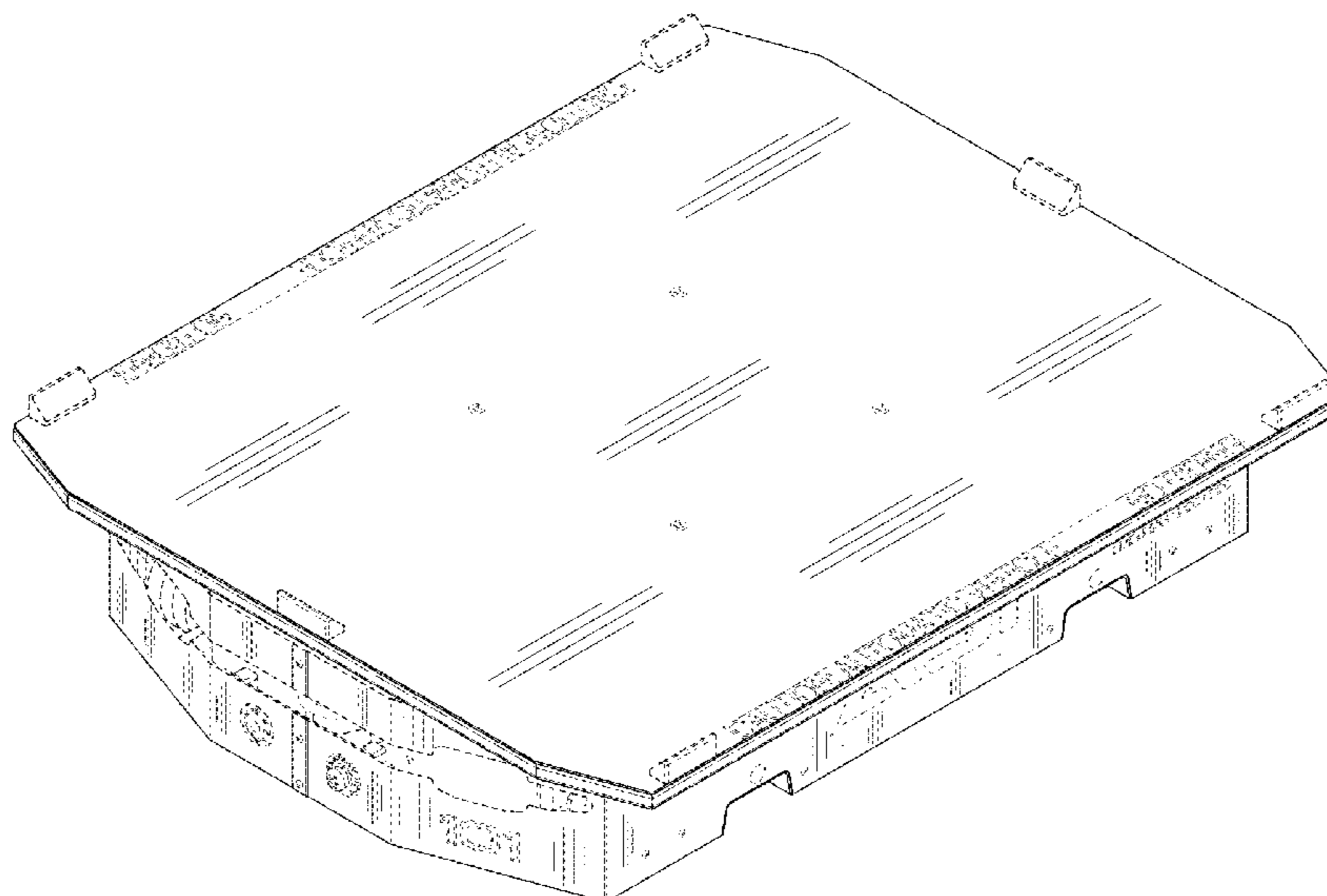
(57) **CLAIM**

The ornamental design for an automated guided vehicle, as shown and described.

**DESCRIPTION**

FIG. 1 is an isometric view of the automated guided vehicle in accordance with this design;  
 FIG. 2 is a slightly enlarged a top plan view of the automated guided vehicle shown in FIG. 1;  
 FIG. 3 is a slightly enlarged bottom plan view of the automated guided vehicle shown in FIG. 1;  
 FIG. 4 is a slightly enlarged front elevation view of the automated guided vehicle shown in FIG. 1;  
 FIG. 5 is a slightly enlarged rear elevation view of the automated guided vehicle shown in FIG. 1;  
 FIG. 6 is a slightly enlarged left side elevation view of the automated guided vehicle shown in FIG. 1; and,  
 FIG. 7 is a slightly enlarged right side elevation view of the automated guided vehicle shown in FIG. 1.  
 The broken lines in the various figures are directed to unclaimed portions of the automated guided vehicle and form no part of the claimed design.

**1 Claim, 7 Drawing Sheets**



(56)

**References Cited**

U.S. PATENT DOCUMENTS

2018/0170579	A1 *	6/2018	Scotton .....	B05D 7/22
2019/0100109	A1 *	4/2019	Wendeborn .....	B60L 53/36
2019/0161329	A1 *	5/2019	Ghirardi .....	B66F 9/065
2019/0202048	A1 *	7/2019	Tarbaieva .....	B25J 5/007
2019/0263250	A1 *	8/2019	Lord .....	B60K 7/00

\* cited by examiner

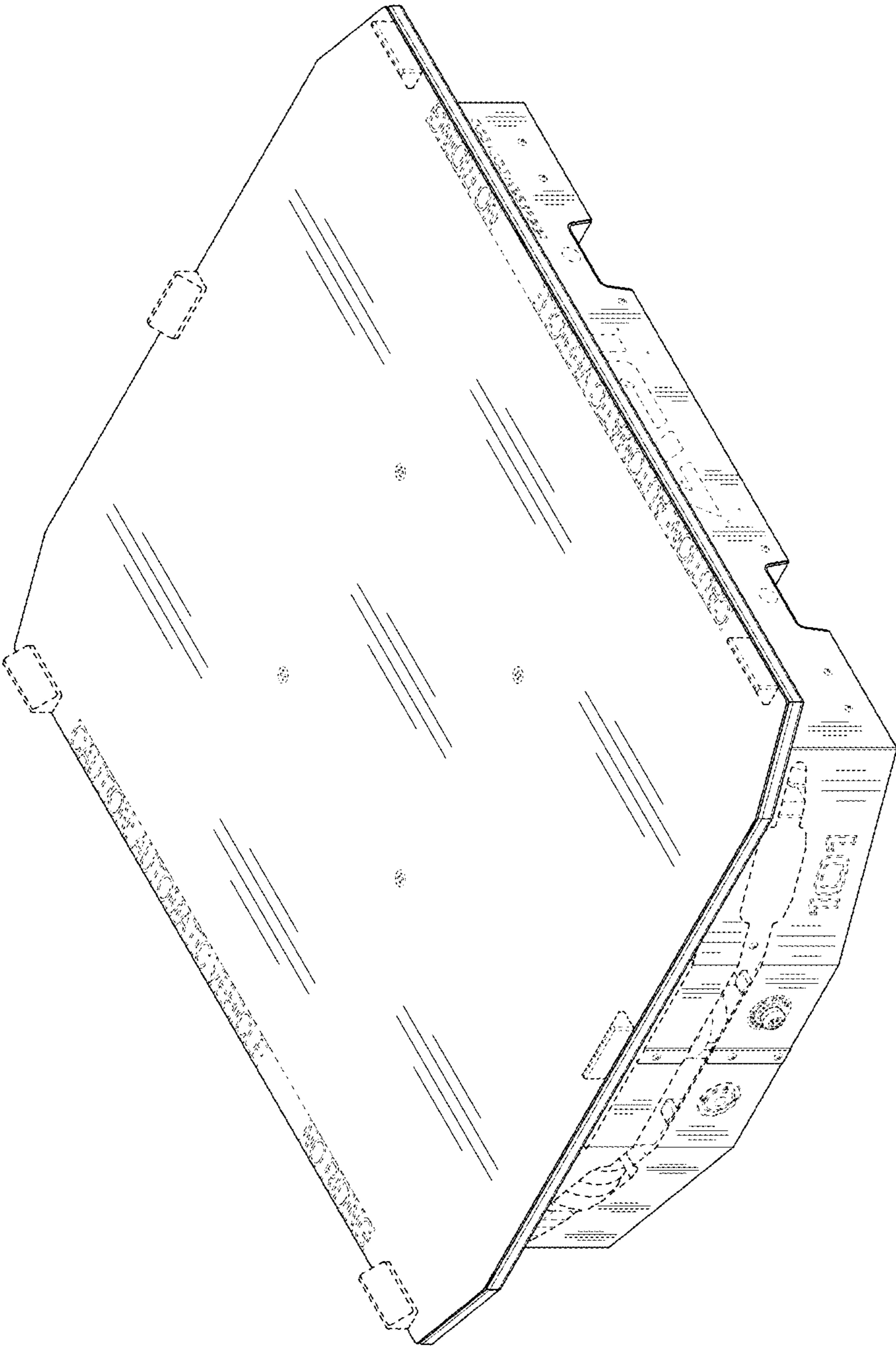


FIG. 1

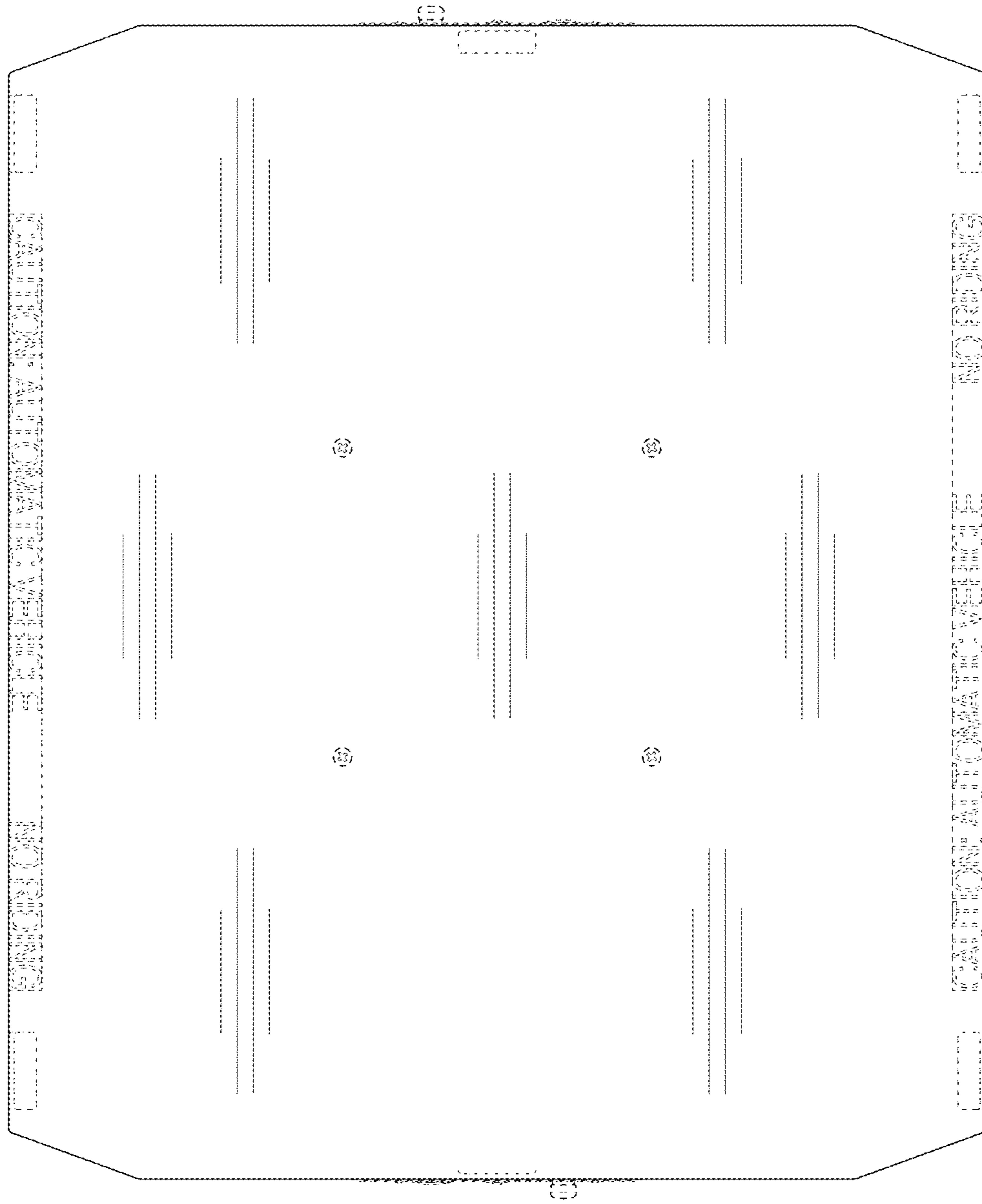


FIG. 2

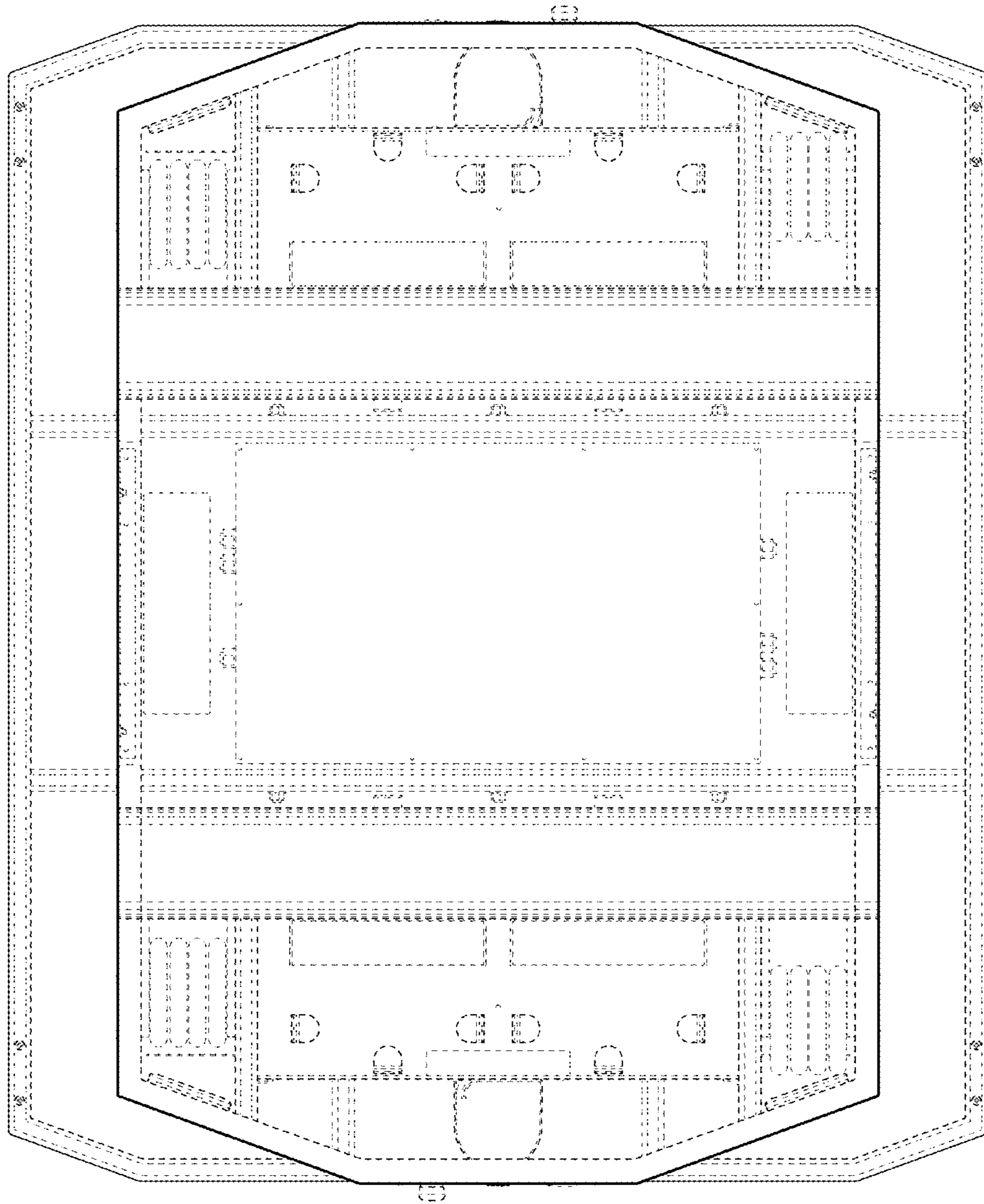


FIG. 3

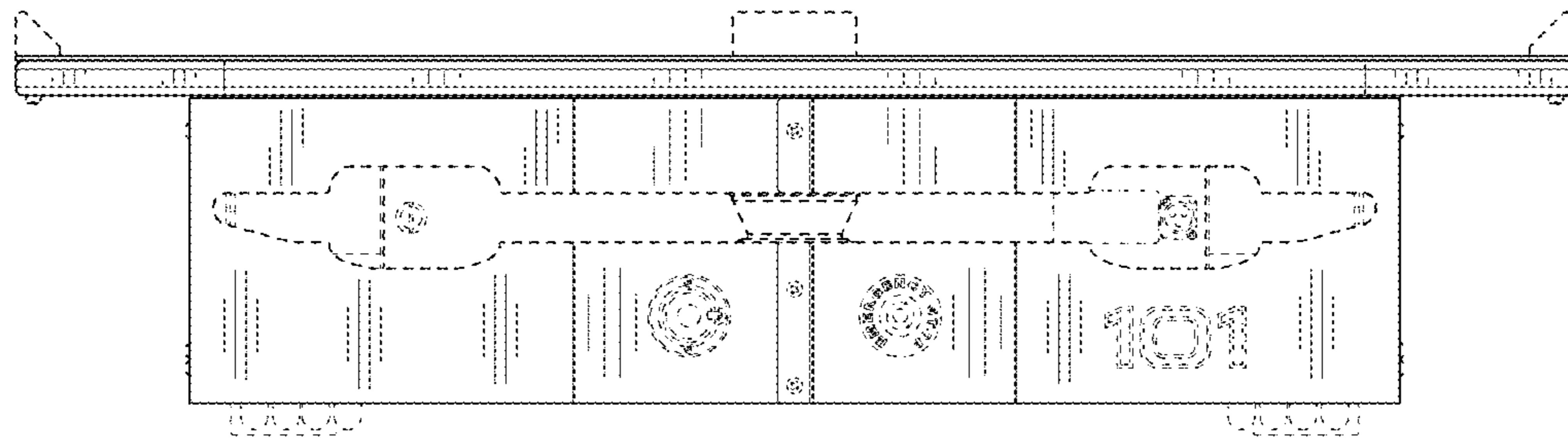


FIG. 4

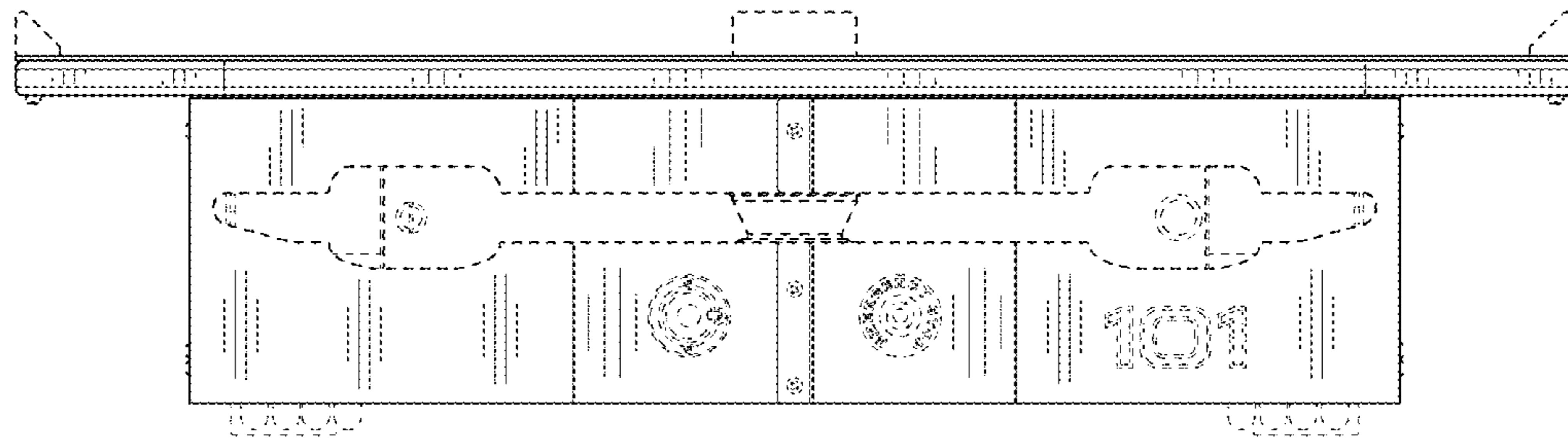


FIG. 5

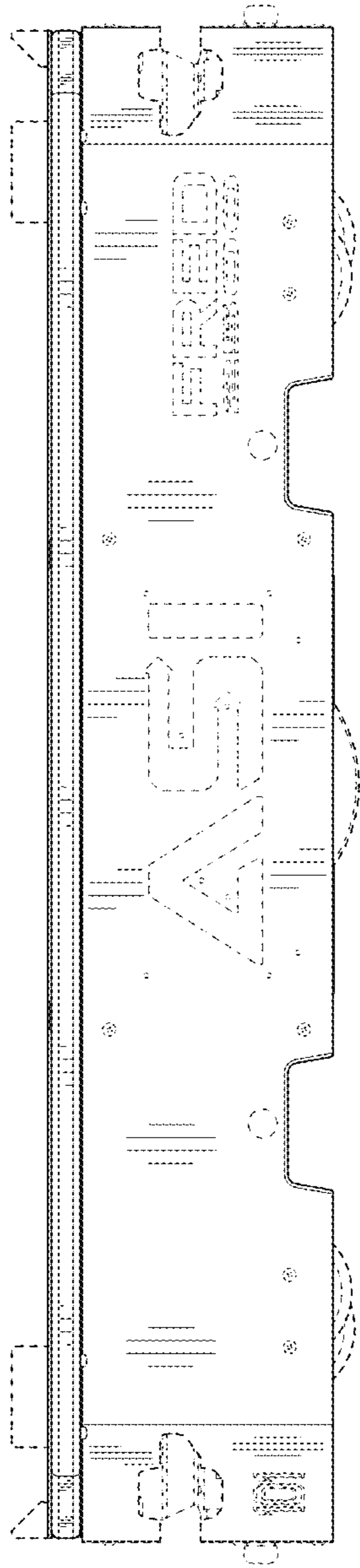


FIG. 6



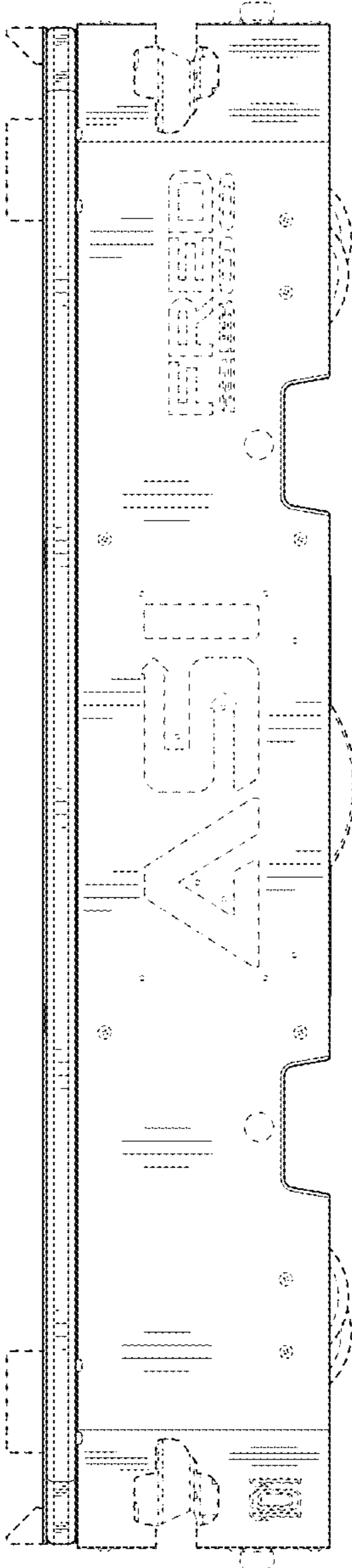


FIG. 7