



US00D873172S

(12) **United States Design Patent**
Hansson et al.

(10) **Patent No.:** **US D873,172 S**
(45) **Date of Patent:** **** Jan. 21, 2020**

(54) **PASSENGER SAFETY BELT BUCKLE**

(57) **CLAIM**

(71) Applicant: **Rockwell Collins, Inc.**, Cedar Rapids, IA (US)

The ornamental design for a passenger safety belt buckle, as shown and described.

(72) Inventors: **Charles Martin Hansson**, Winston-Salem, NC (US); **Fernando J. Rentas**, Winston-Salem, NC (US)

DESCRIPTION

(73) Assignee: **Rockwell Collins, Inc.**, Cedar Rapids, IA (US)

FIG. 1 is a perspective view of a first embodiment of a passenger safety belt buckle;

(**) Term: **15 Years**

FIG. 2 is a top plan view of the passenger safety belt buckle of FIG. 1;

(21) Appl. No.: **29/643,349**

FIG. 3 is a front elevation view of the passenger safety belt buckle of FIG. 1;

(22) Filed: **Apr. 6, 2018**

FIG. 4 is a left side elevation view of the passenger safety belt buckle of FIG. 1;

(51) **LOC (12) Cl.** **11-07**

FIG. 5 is a rear elevation view of the passenger safety belt buckle of FIG. 1;

(52) **U.S. Cl.**

USPC **D11/216**

FIG. 6 is a right side elevation view of the passenger safety belt buckle of FIG. 1;

(58) **Field of Classification Search**

USPC D2/624, 626, 627, 633, 639, 640, 853, D2/923; D3/24, 213, 215, 216, 230;
(Continued)

FIG. 7 is a bottom plan view of the passenger safety belt buckle of FIG. 1;

FIG. 8 is a perspective view of a second embodiment of a passenger safety belt buckle;

FIG. 9 is a top plan view of the passenger safety belt buckle of FIG. 8;

(56) **References Cited**

U.S. PATENT DOCUMENTS

3,078,538 A * 2/1963 Brown A44B 11/2526
24/313
3,120,040 A * 2/1964 Paller, Jr. A44B 11/2526
24/644

FIG. 10 is a front elevation view of the passenger safety belt buckle of FIG. 8;

FIG. 11 is a left side elevation view of the passenger safety belt buckle of FIG. 8;

FIG. 12 is a rear elevation view of the passenger safety belt buckle of FIG. 8;

FIG. 13 is a right side elevation view of the passenger safety belt buckle of FIG. 8; and,

FIG. 14 is a bottom plan view of the passenger safety belt buckle of FIG. 8.

(Continued)

OTHER PUBLICATIONS

Aircraft Belts (available online Mar. 31, 2009) Retrieved from the internet Jun. 19, 2019 from URL: charlenesutton.co/2009/03/.*

The dash-dash broken lines shown in the drawings illustrate portions of the article of manufacture that form no part of the claimed design.

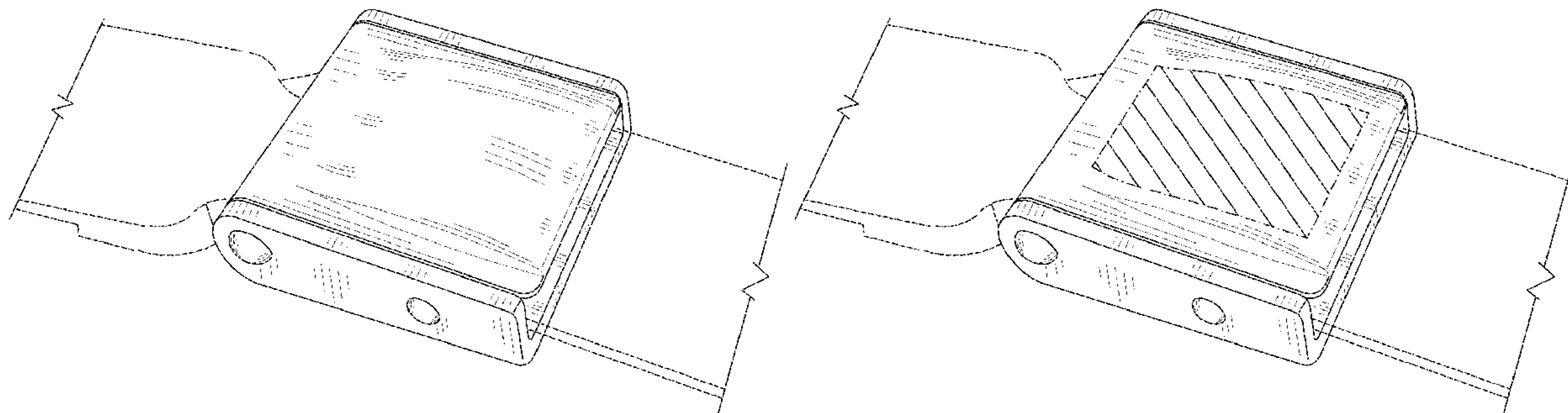
The dash-dot-dash broken lines shown in the drawings illustrate boundary lines that form no part of the claimed design.

Primary Examiner — Kevin K Rudzinski

Assistant Examiner — Richard Kearney

(74) *Attorney, Agent, or Firm* — Suiter Swantz pc llo

(Continued)



The solid line hatch pattern in the drawings illustrates a change in surface appearance and forms no part of the claimed design.

9/007; A41F 11/06; B60R 22/30; B60R 22/32; B60R 22/022; B60R 2022/1806; B60R 2022/1812; B60R 2022/281; B65D 63/16; A62B 35/00

1 Claim, 8 Drawing Sheets

See application file for complete search history.

(58) Field of Classification Search

USPC .. D8/14, 331, 343, 349, 356, 358, 359, 360, D8/363, 366, 371, 382, 394, 395; D10/32, 38; D11/1, 2, 3, 12, 16, 86, 87, D11/93, 200, 201, 206-210, 212-218, D11/229-237; D12/195, 416; D29/100-101.5, 122, 129, 130; D30/139, D30/152, 153
CPC A44B 11/00; A44B 11/02; A44B 11/04; A44B 11/05; A44B 11/06; A44B 11/10; A44B 11/14; A44B 11/22; A44B 11/25; A44B 11/26; A44B 11/125; A44B 11/223; A44B 11/001; A44B 11/005; A44B 11/006; A44B 11/2503; A44B 11/2507; A44B 11/2526; A44B 11/2553; A44B 11/2592; A41F 1/008; A41F 9/002; A41F

(56)

References Cited

U.S. PATENT DOCUMENTS

3,147,530 A * 9/1964 Goldman A44B 11/2526 24/646
D199,674 S * 12/1964 Carlson D11/216
3,165,805 A * 1/1965 Lower A44B 11/2526 24/646
D200,772 S * 4/1965 Dahms D11/216
D202,105 S * 8/1965 Fisher D11/216
3,378,895 A * 4/1968 Eberhart A44B 11/2511 24/650
D215,195 S * 9/1969 Kregel D11/216
D254,760 S * 4/1980 Petlewski D11/216
D533,045 S * 12/2006 Schroth D8/300
D600,160 S * 9/2009 Kosh D11/218
D603,753 S * 11/2009 Palmer D11/216
D853,277 S * 7/2019 Lin D11/216

* cited by examiner

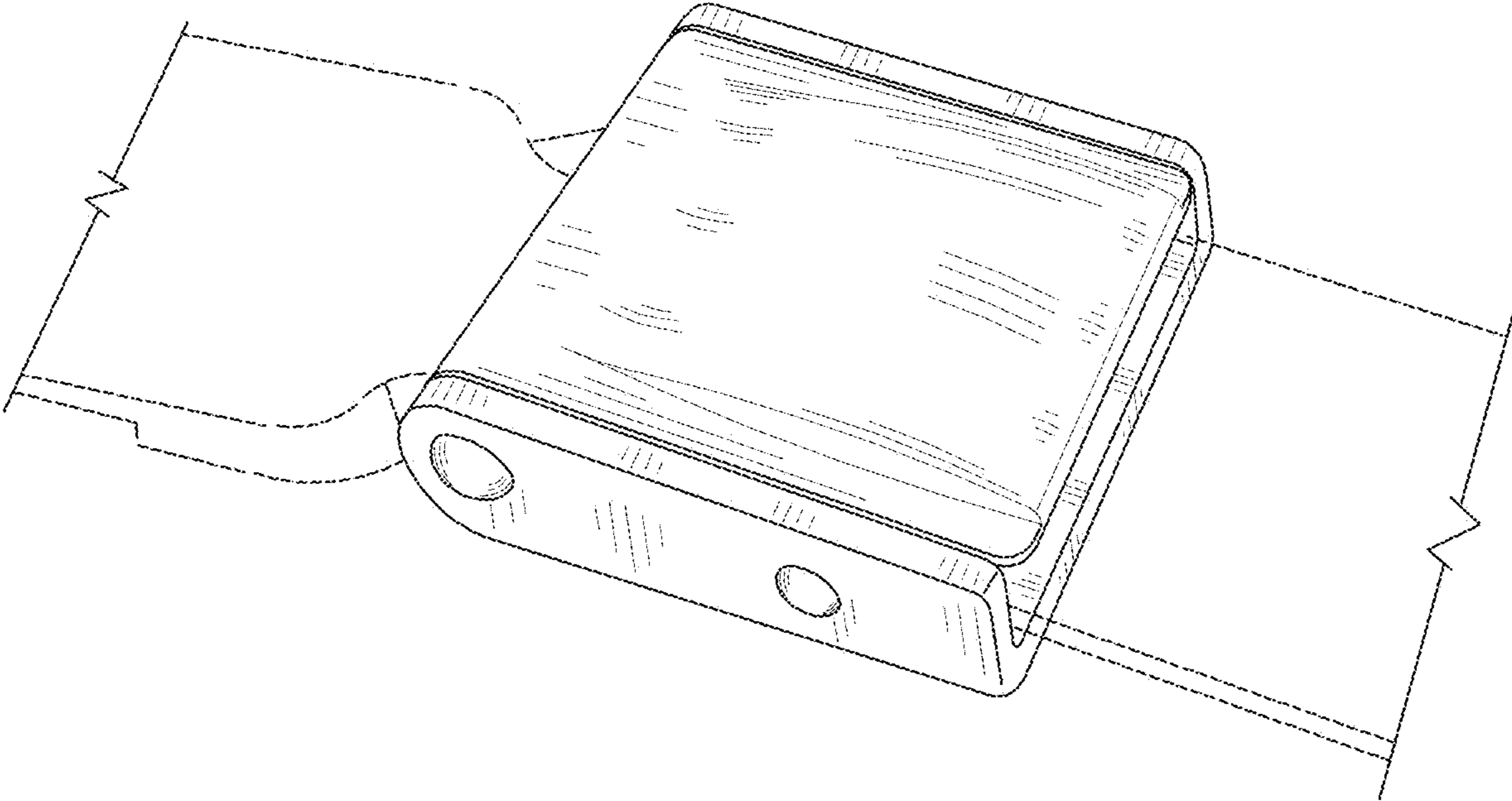


FIG. 1

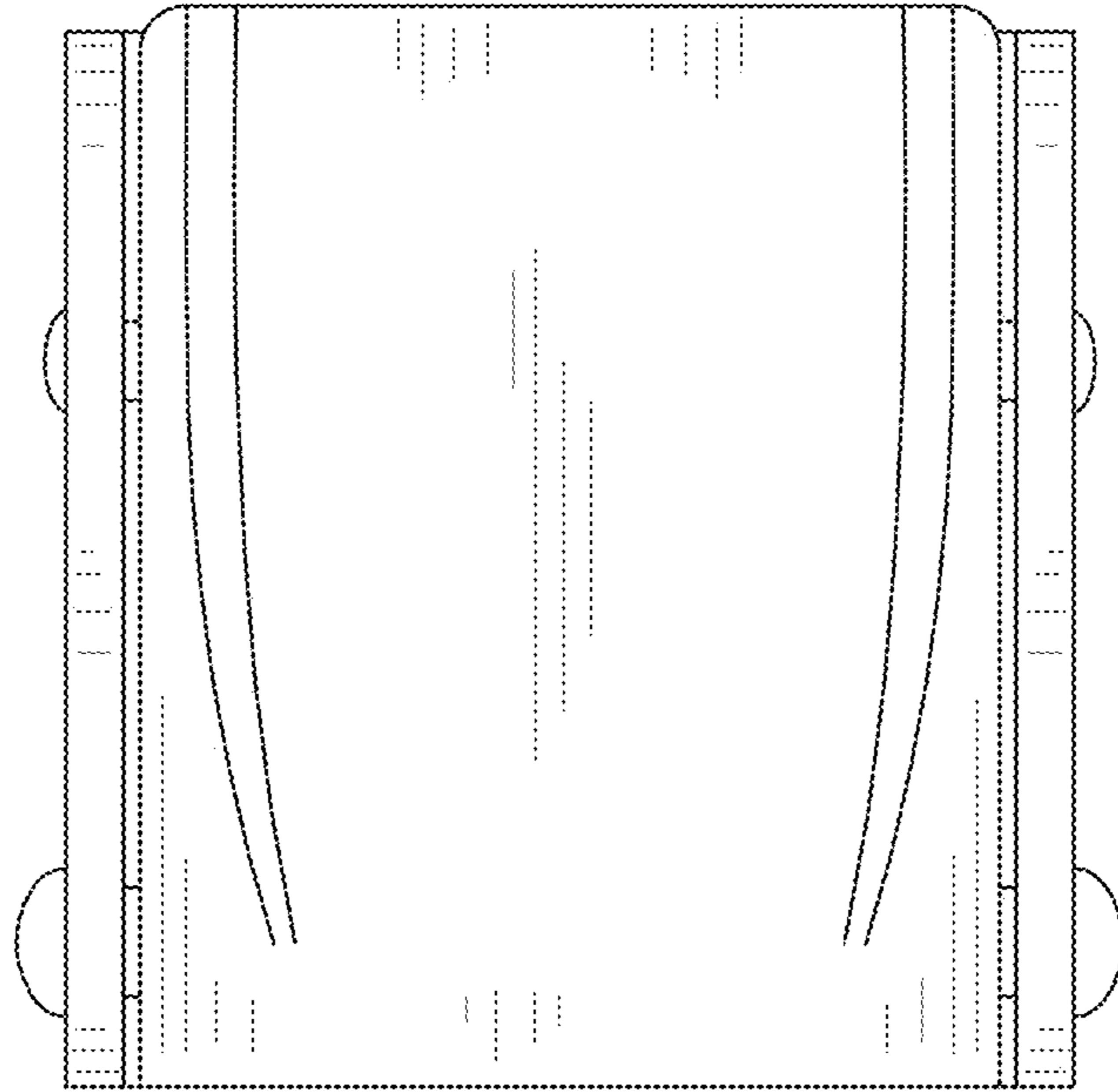


FIG. 2

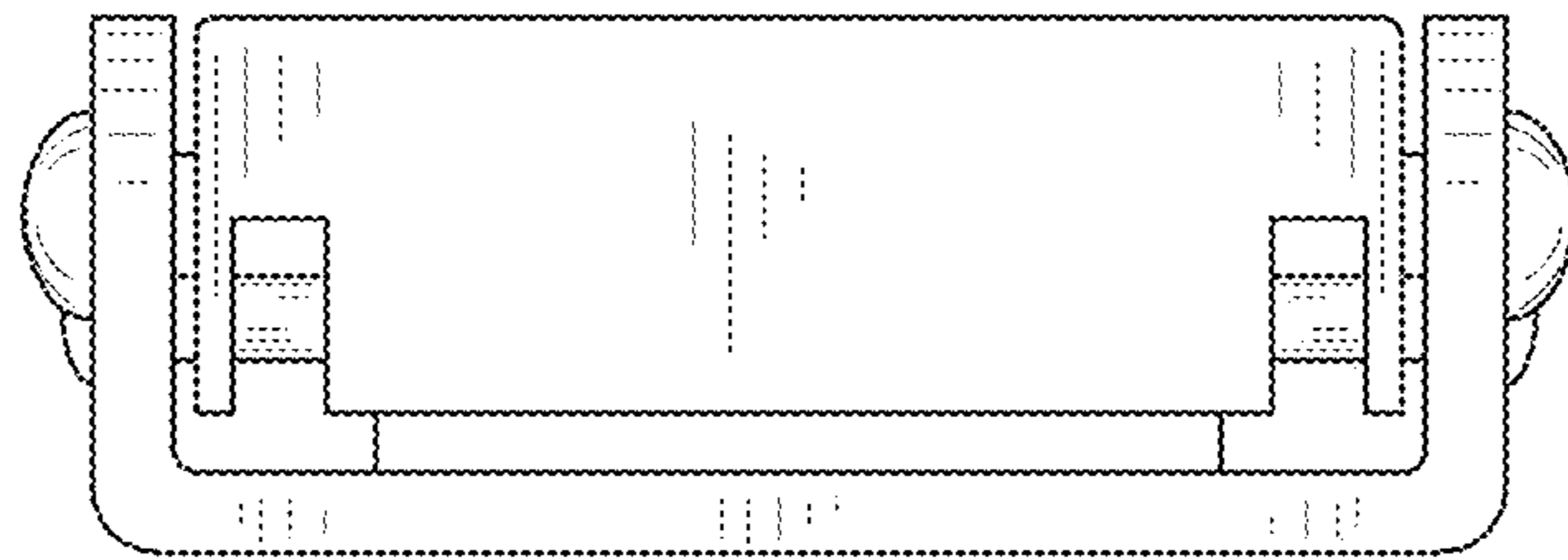


FIG. 3

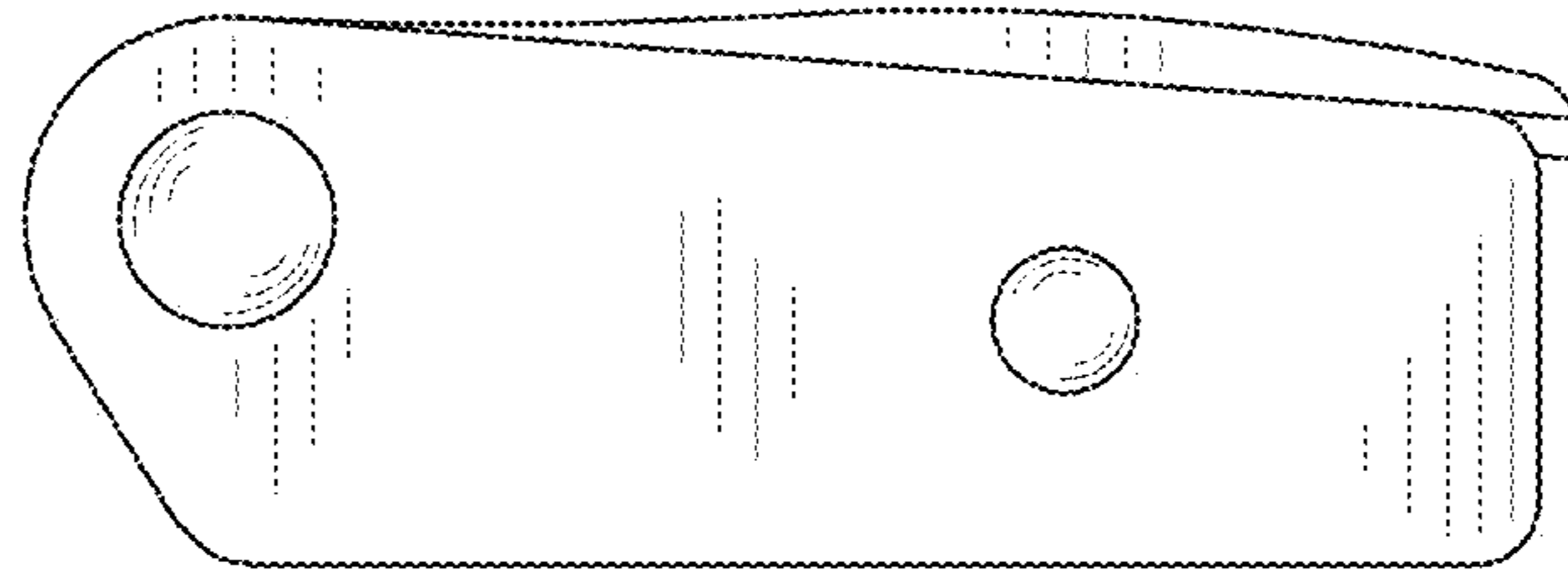


FIG. 4



FIG. 5

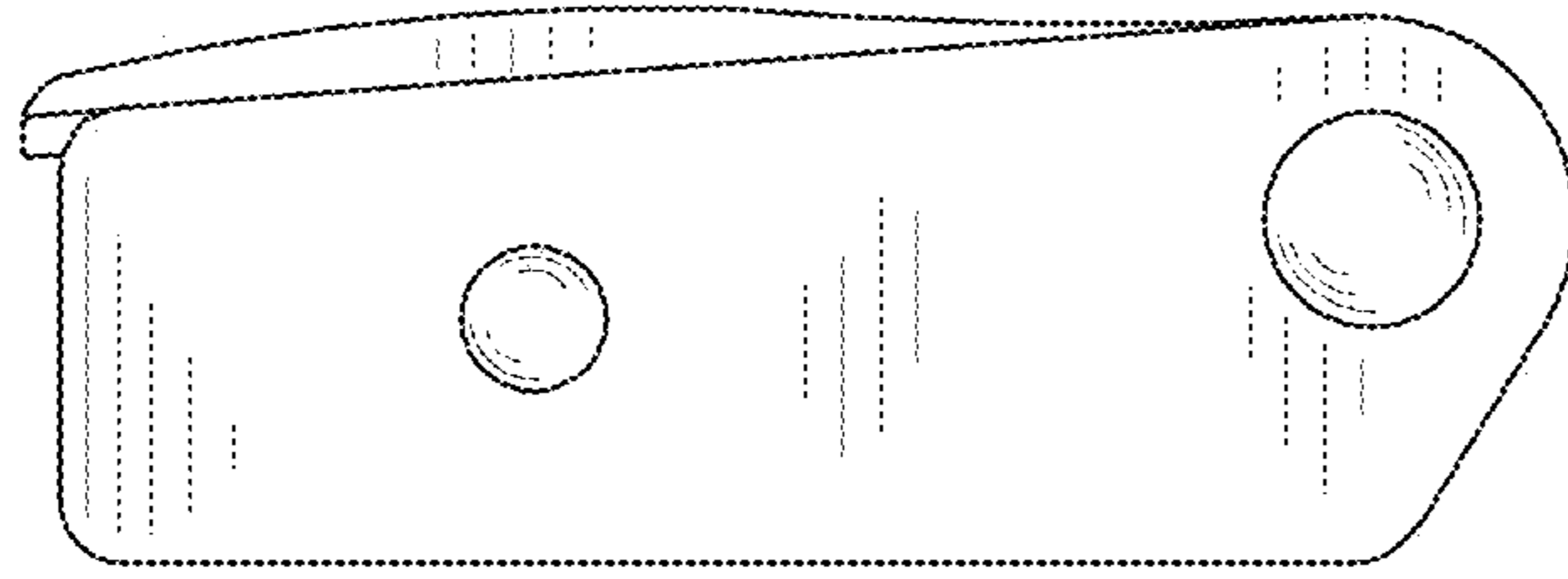


FIG. 6

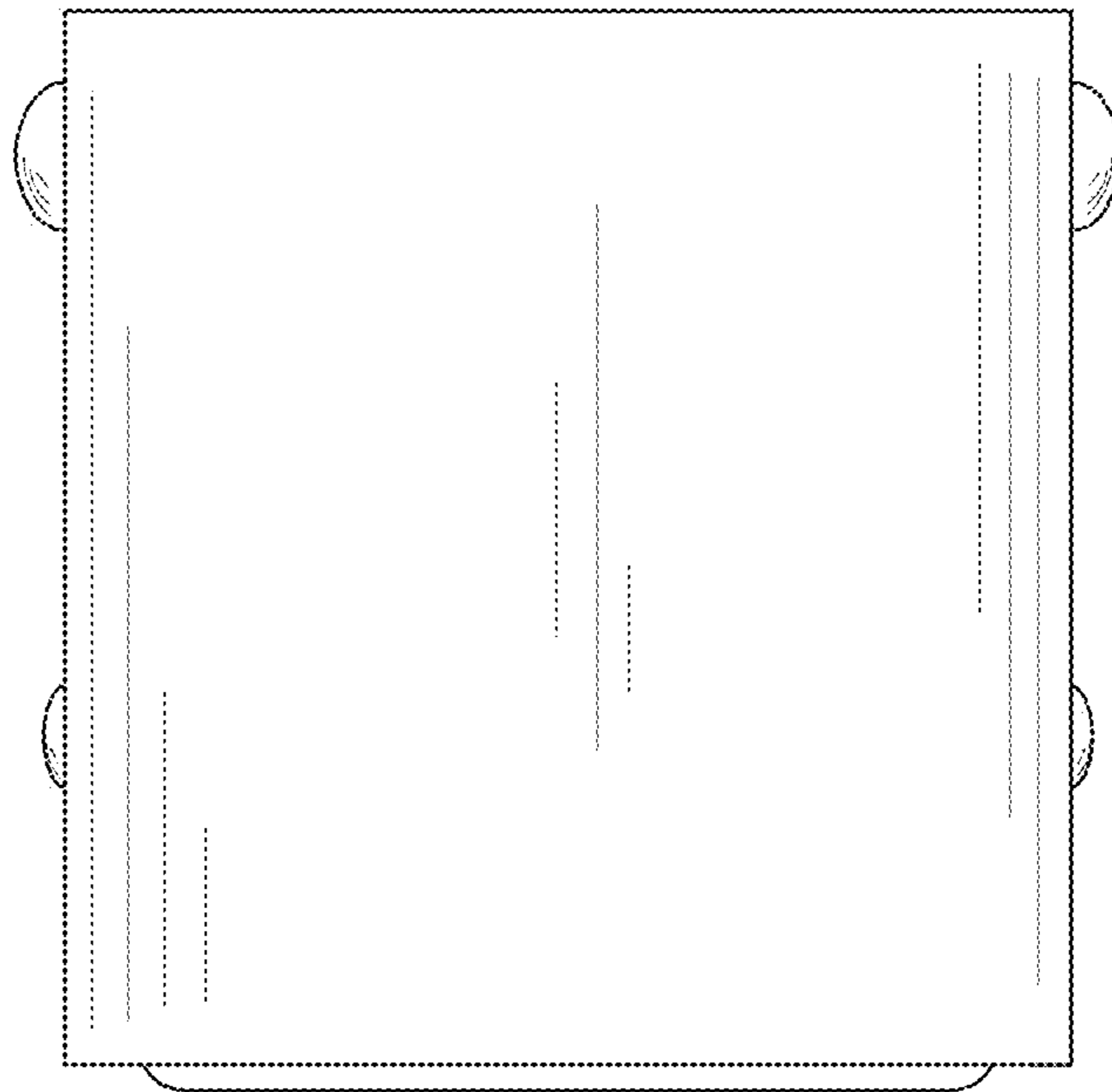


FIG. 7

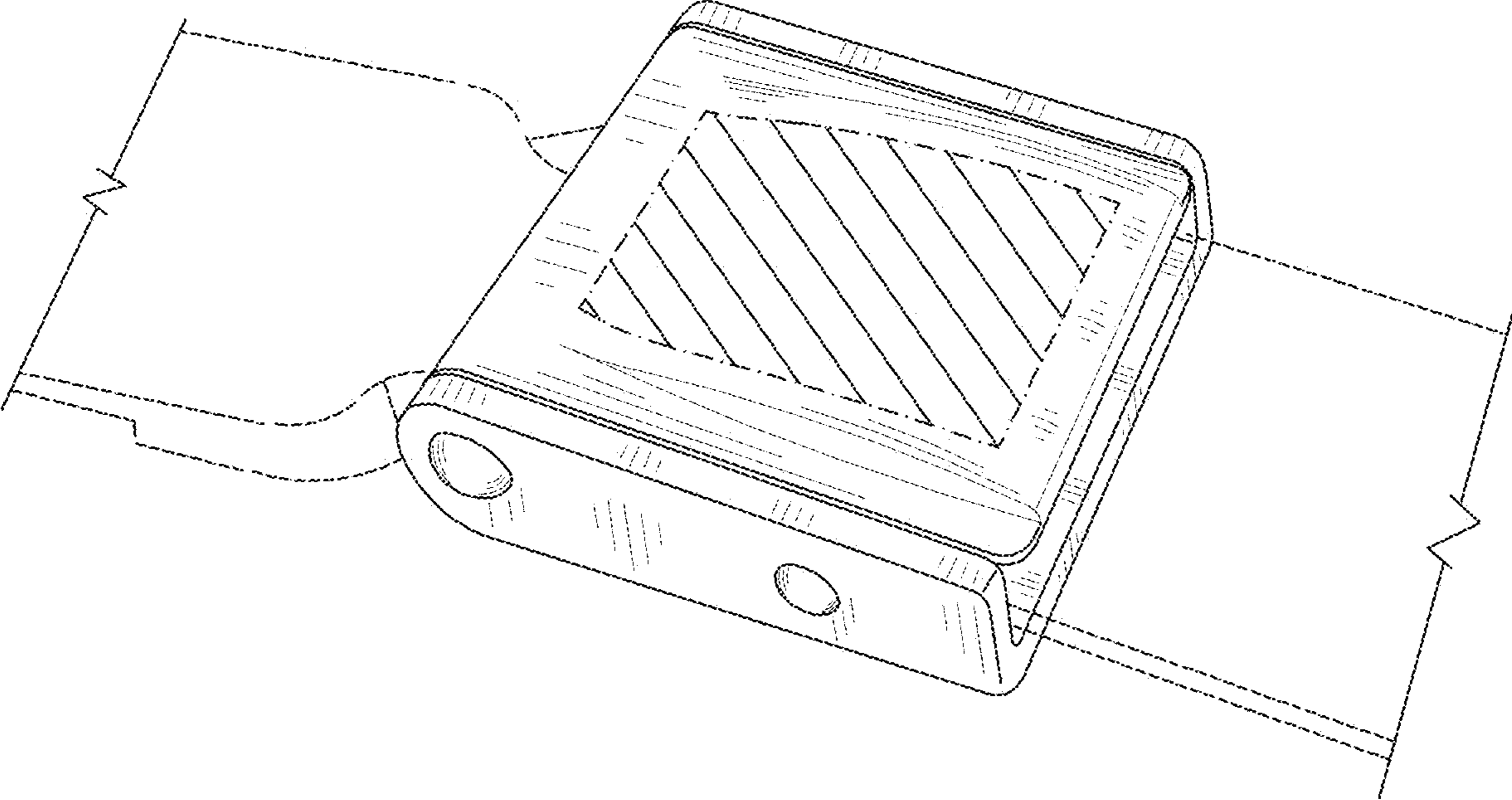


FIG. 8

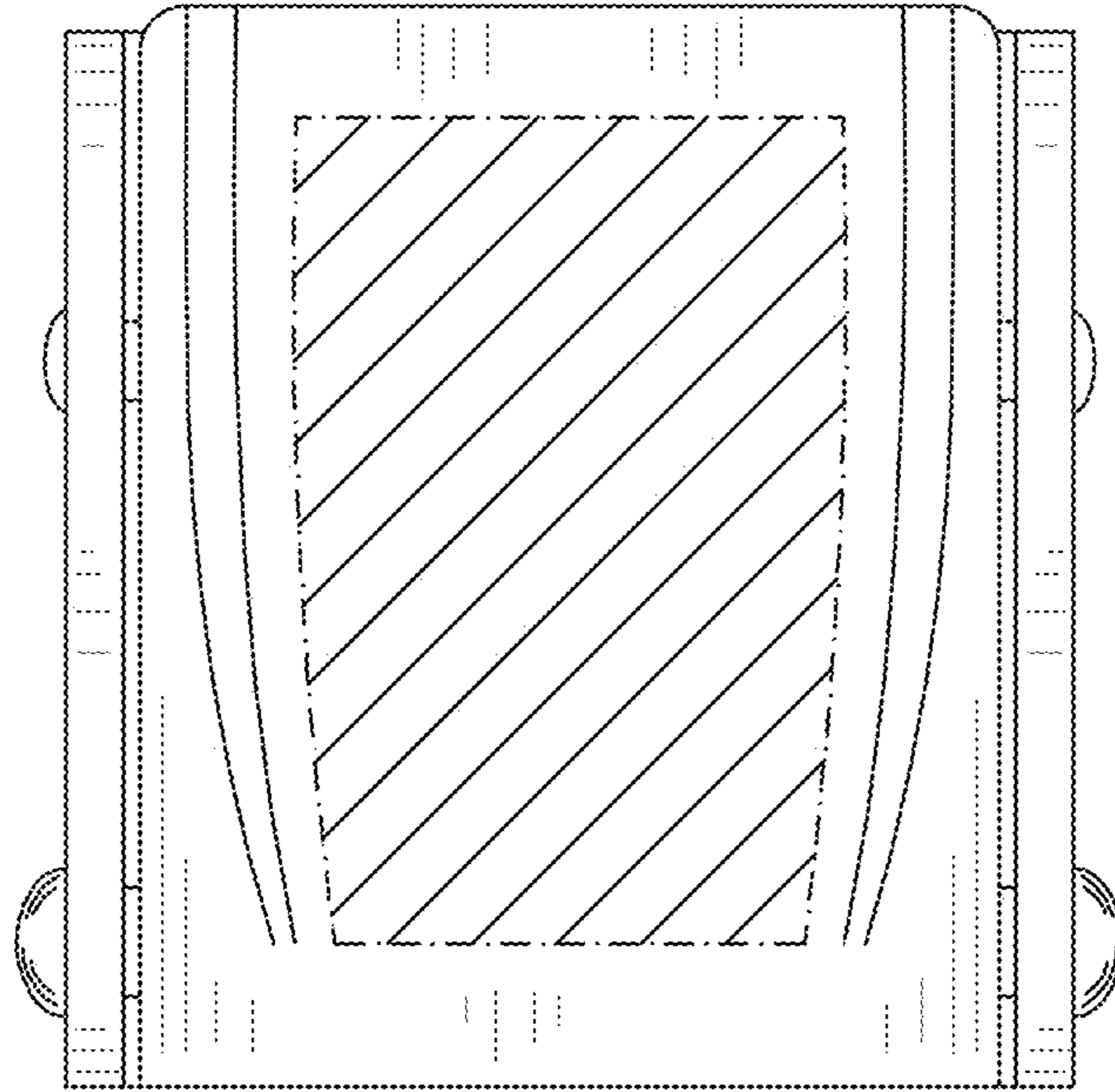


FIG. 9

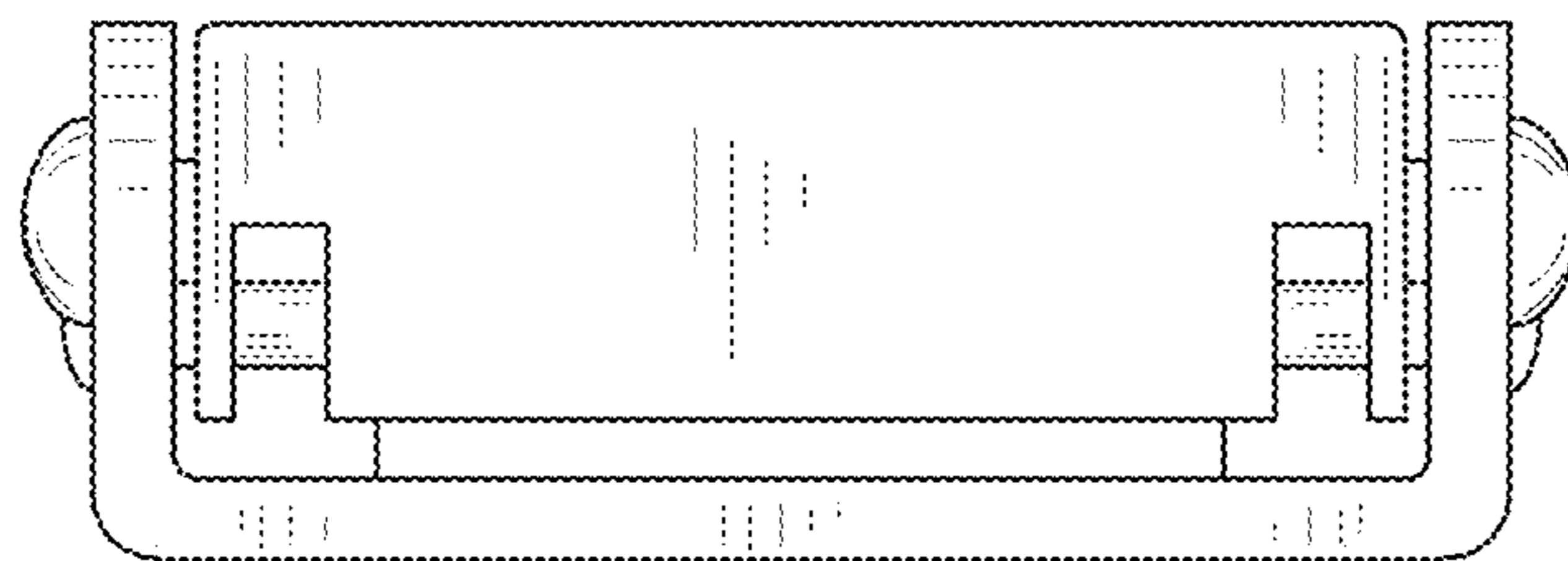


FIG. 10

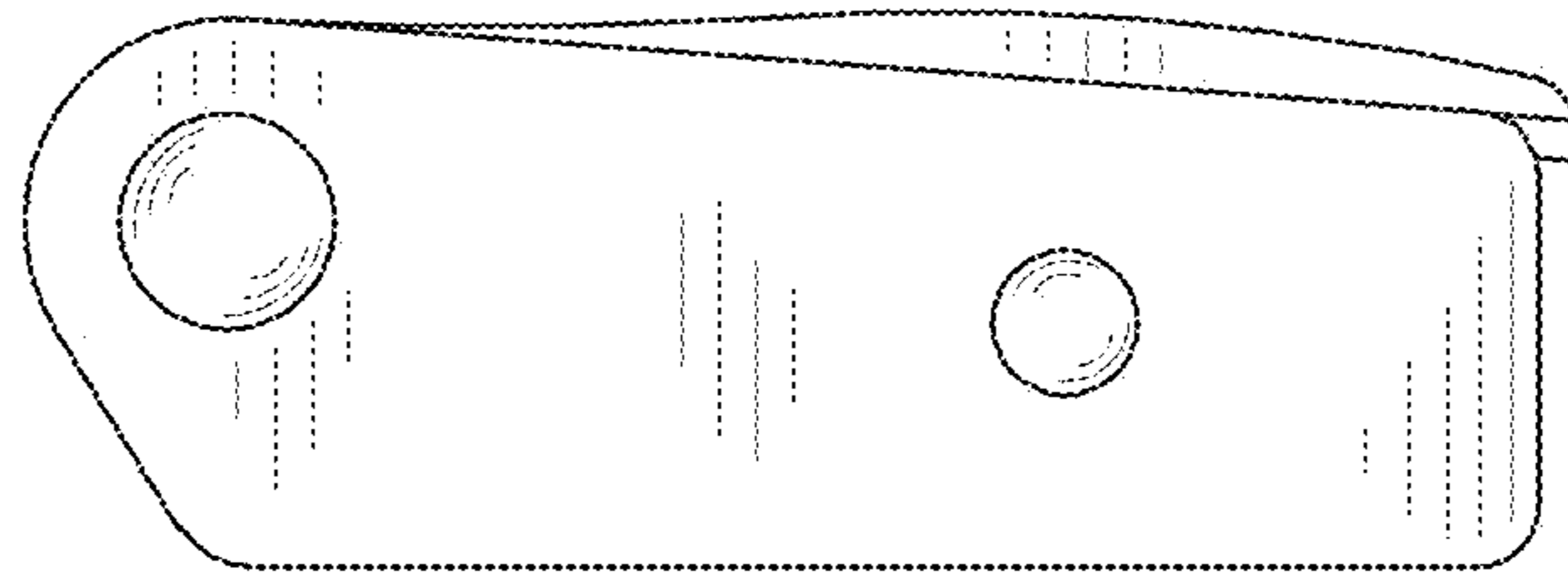


FIG. 11



FIG. 12

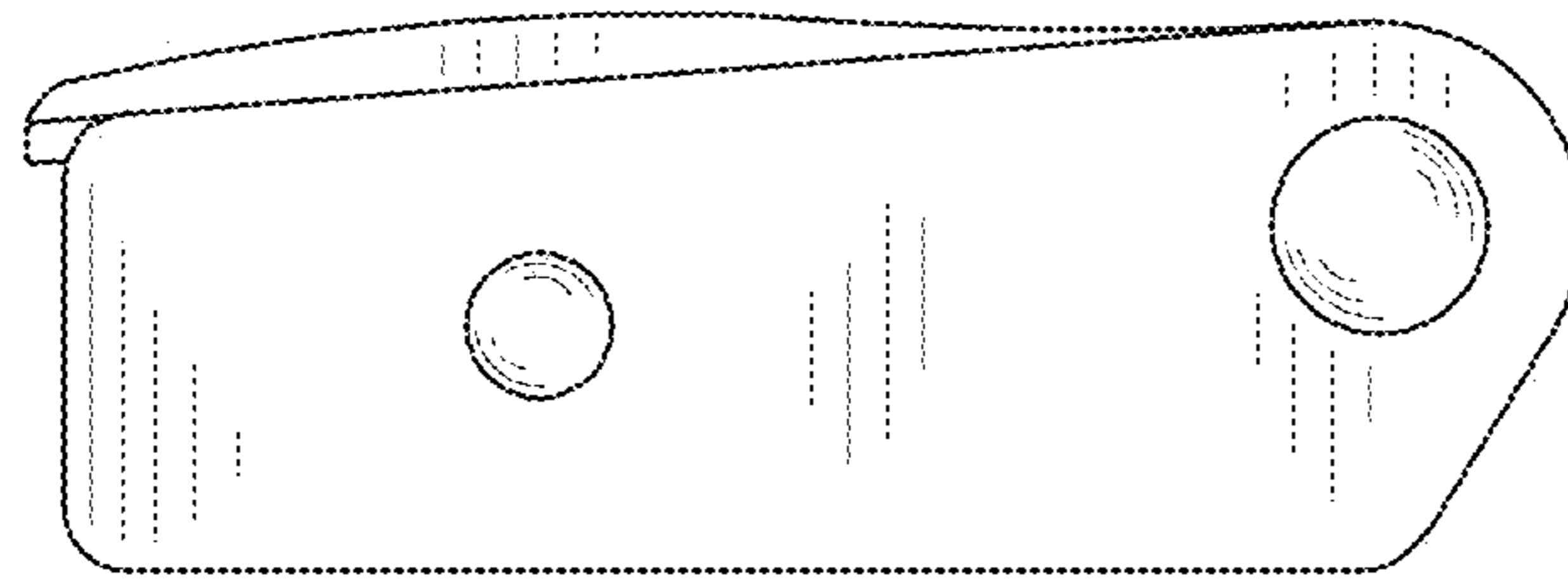


FIG. 13

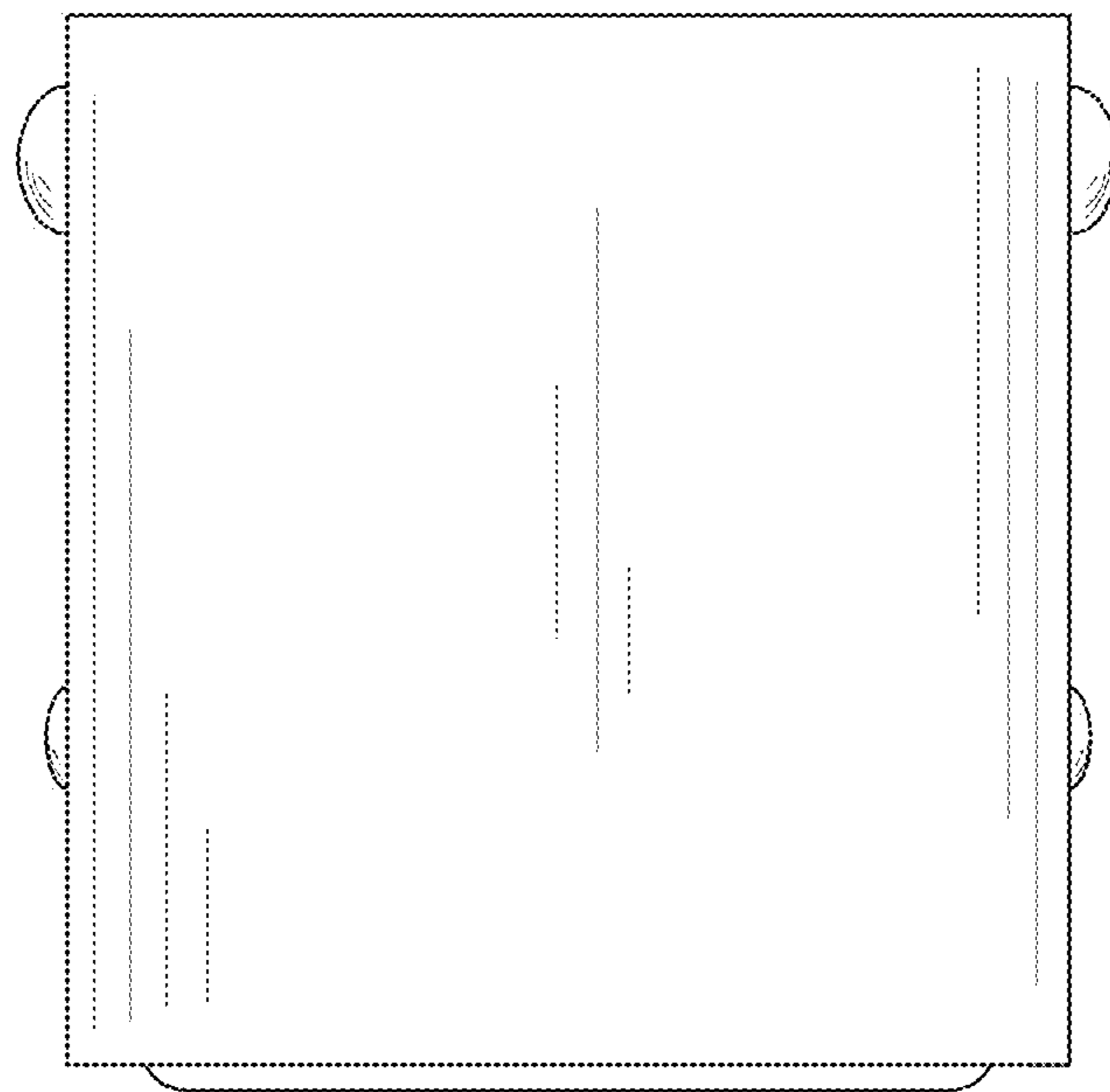


FIG. 14