



US00D873171S

(12) **United States Design Patent**
Van Rooijen

(10) **Patent No.:** **US D873,171 S**
(45) **Date of Patent:** **** Jan. 21, 2020**

- (54) **TRAY INSERT**
- (71) Applicant: **Goldfields Collections Pty Ltd,**
Clayton South (AU)
- (72) Inventor: **Nicolaas Van Rooijen,** Clayton South
(AU)
- (73) Assignee: **Goldfield Collections Pty Ltd,** Clayton
South (AU)
- (**) Term: **15 Years**
- (21) Appl. No.: **29/610,426**
- (22) Filed: **Jul. 12, 2017**
- (30) **Foreign Application Priority Data**

Jan. 12, 2017 (AU) 201710142

- (51) **LOC (12) Cl.** **11-02**
- (52) **U.S. Cl.**
USPC **D11/155**
- (58) **Field of Classification Search**
USPC D6/403, 404, 405, 556, 557, 558;
D7/509, 523; D11/143, 144, 155, 156
CPC . A01G 9/042; A01G 9/02; A01G 9/04; A01G
9/10; A01G 9/102; A01G 9/1026; A01G
9/104; A47G 7/06; A47G 7/08
See application file for complete search history.

(56) **References Cited**
U.S. PATENT DOCUMENTS

- D275,467 S * 9/1984 Massonnet D11/155
- D277,837 S * 3/1985 Turunen D11/155
- D322,048 S * 12/1991 Saarinen D11/155
- D324,834 S * 3/1992 Saarinen D11/155
- D325,714 S * 4/1992 Karhiniemi D11/155
- D381,933 S * 8/1997 Van Wingerden D11/143
- 5,664,370 A * 9/1997 Boudreau A01G 9/0295
47/87
- D401,530 S * 11/1998 Keskilohko D11/155

- 5,934,018 A * 8/1999 Thomas A01G 9/0295
47/87
- 6,199,334 B1 * 3/2001 Malloy E04F 13/04
428/116
- D473,463 S * 4/2003 Armstrong D9/431
- D494,408 S * 8/2004 Hinton D11/155
- D495,621 S * 9/2004 Sikina D11/155
- D540,711 S * 4/2007 Howard D11/155

(Continued)

Primary Examiner — Karen S Acker
Assistant Examiner — Steven B Reinholdt, Jr.
(74) *Attorney, Agent, or Firm* — Quarles & Brady LLP

(57) **CLAIM**

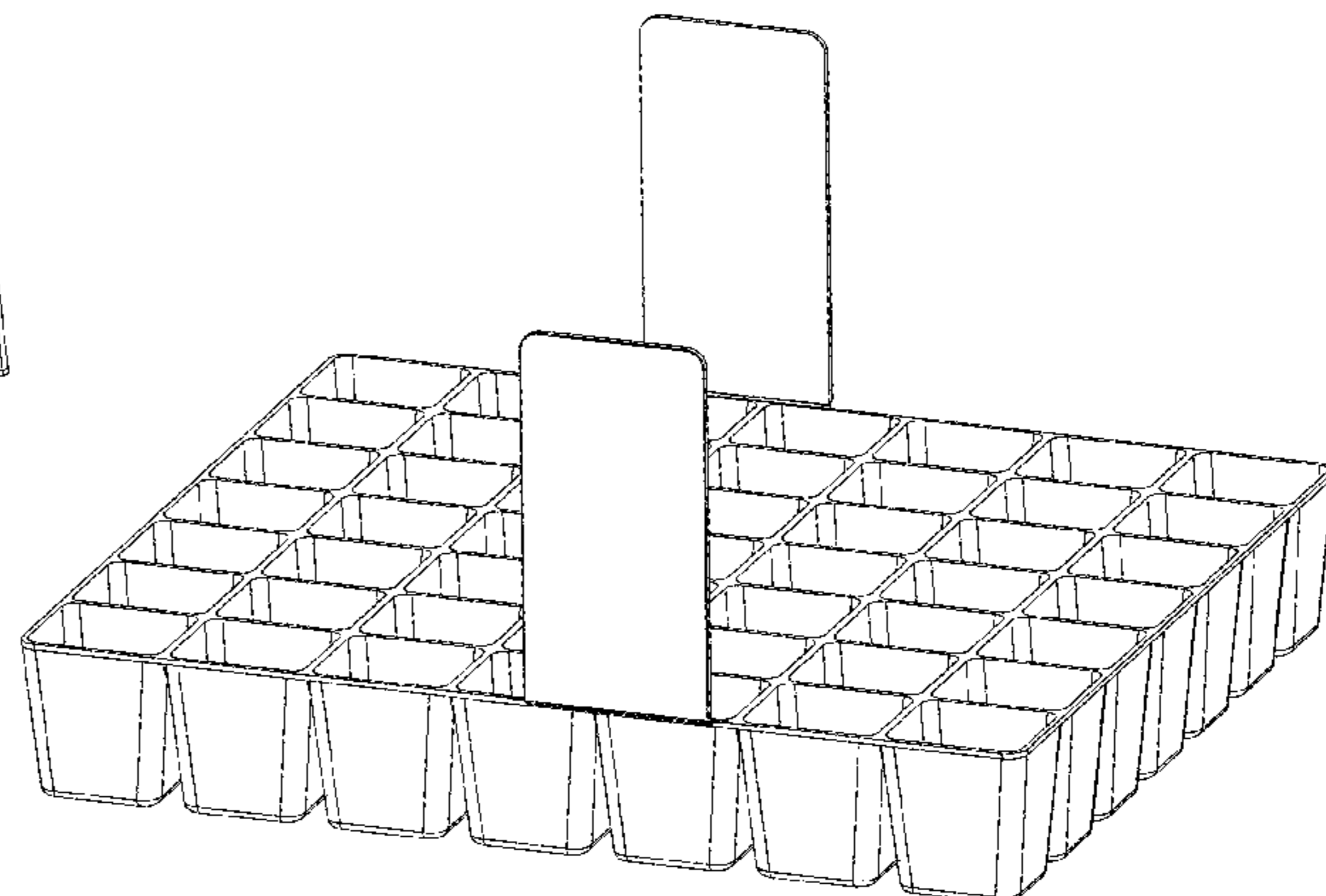
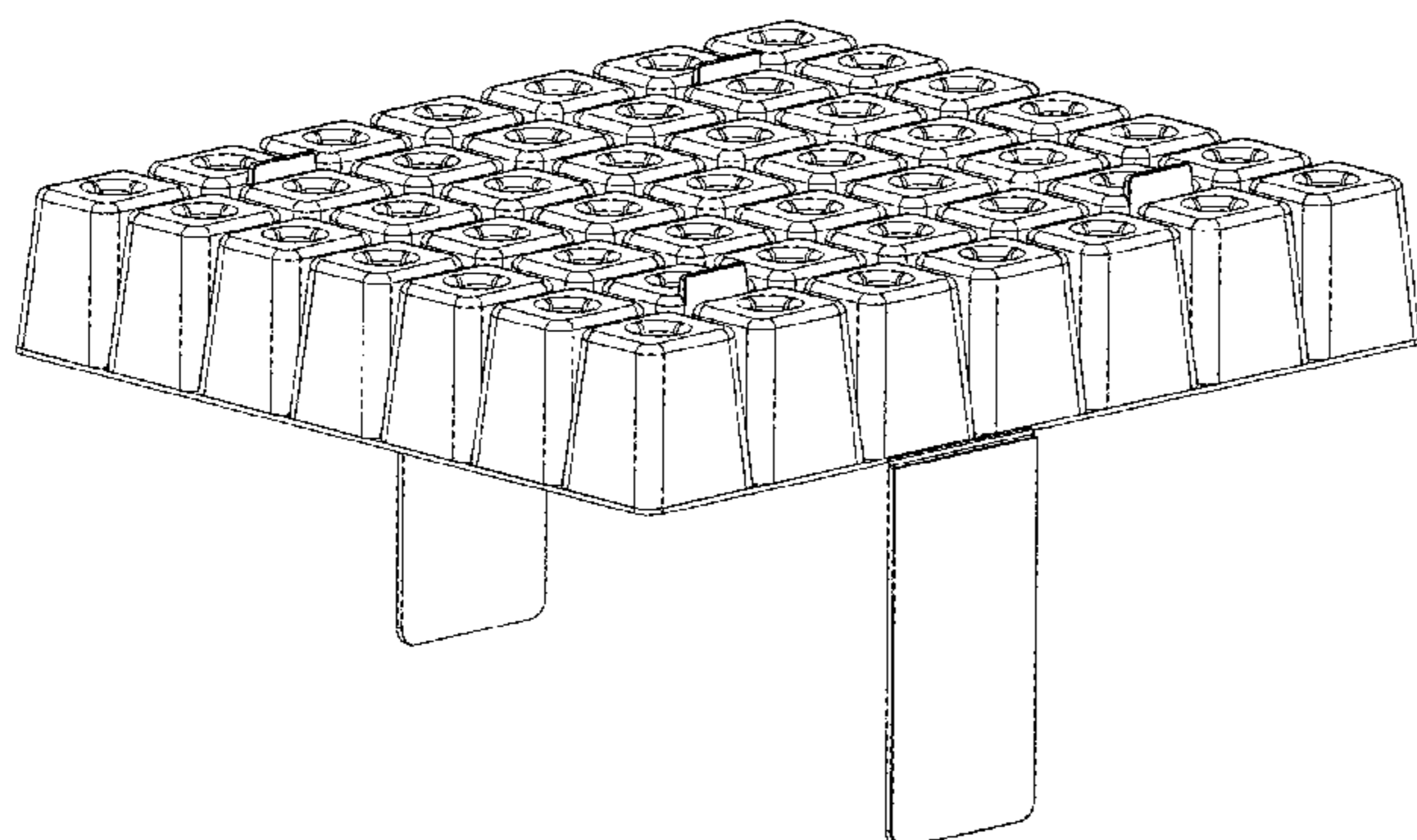
The ornamental design for a tray insert, as shown and described.

DESCRIPTION

FIG. 1 is a perspective view of a bottom, front, and right side of an ornamental design for a tray insert;
 FIG. 2 is a perspective view of a top, front, and right side of the tray insert of FIG. 1;
 FIG. 3 is a front elevational view of the tray insert of FIG. 1;
 FIG. 4 is a bottom plan view of the tray insert of FIG. 1;
 FIG. 5 is a top plan view of the tray insert;
 FIG. 6 is a section view of the tray insert taken along line 6-6 of FIG. 5;
 FIG. 7 is an enlarged detail view of area 7 circumscribed within FIG. 6;
 FIG. 8 is a section view of the tray insert of taken along line 8-8 of FIG. 5; and,
 FIG. 9 is an enlarged detail view of 9 circumscribed within FIG. 8.

The evenly spaced broken lines in FIG. 5 depict cross-sectional reference lines that form no part of the claimed design. The short-short-long dashed broken lines in FIGS. 6-9 depict the enlargement boundaries and form no part of the claimed design.

1 Claim, 7 Drawing Sheets



(56)

References Cited

U.S. PATENT DOCUMENTS

D592,996	S *	5/2009	Howard	D11/155
D616,267	S *	5/2010	Kulzer	D7/701
D726,071	S *	4/2015	Aoyama	D11/155
D820,722	S *	6/2018	Shaffer	D11/155
2016/0270303	A1 *	9/2016	Cooley	A01G 9/0295
2018/0049376	A1 *	2/2018	Magee	A01G 9/027

* cited by examiner

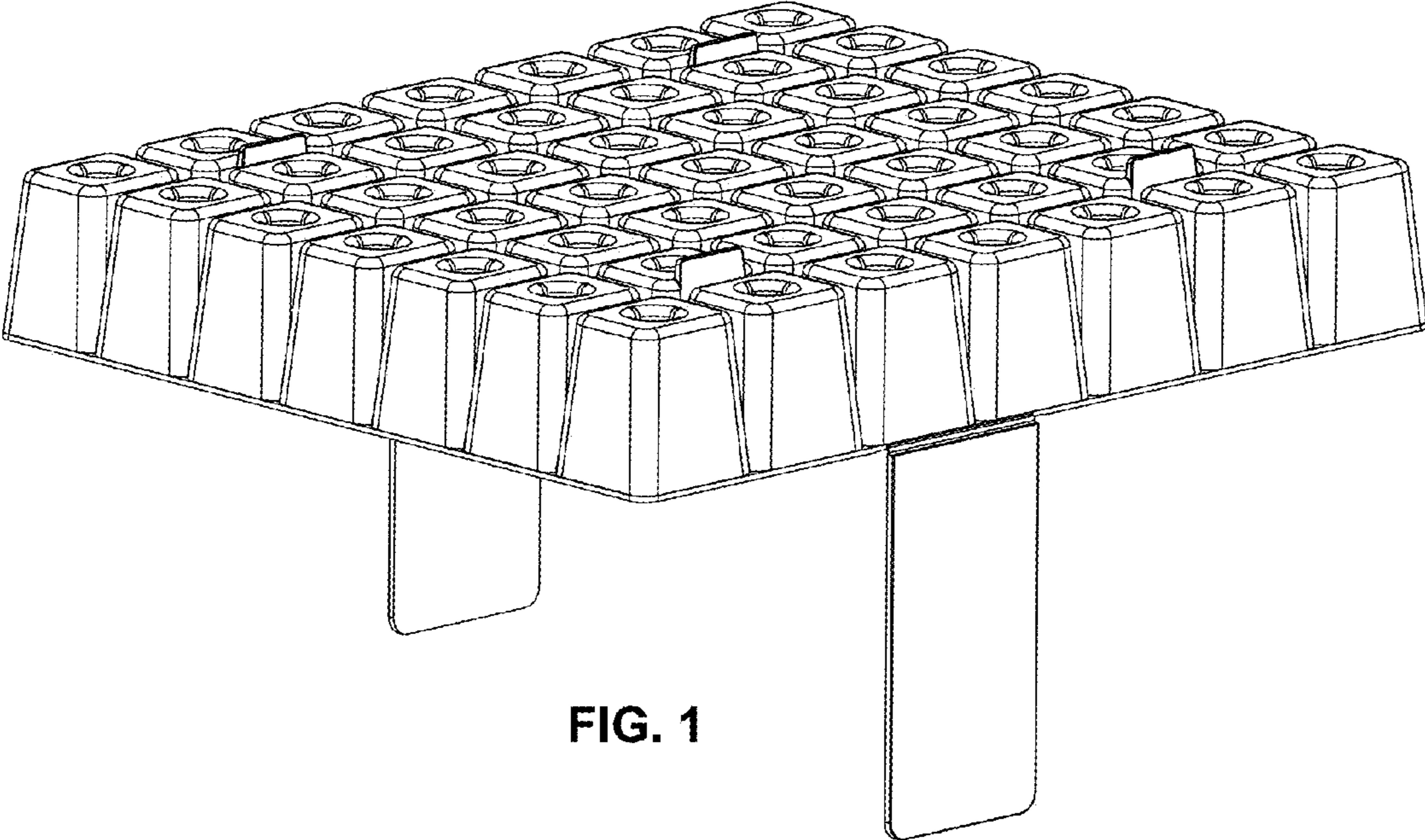


FIG. 1

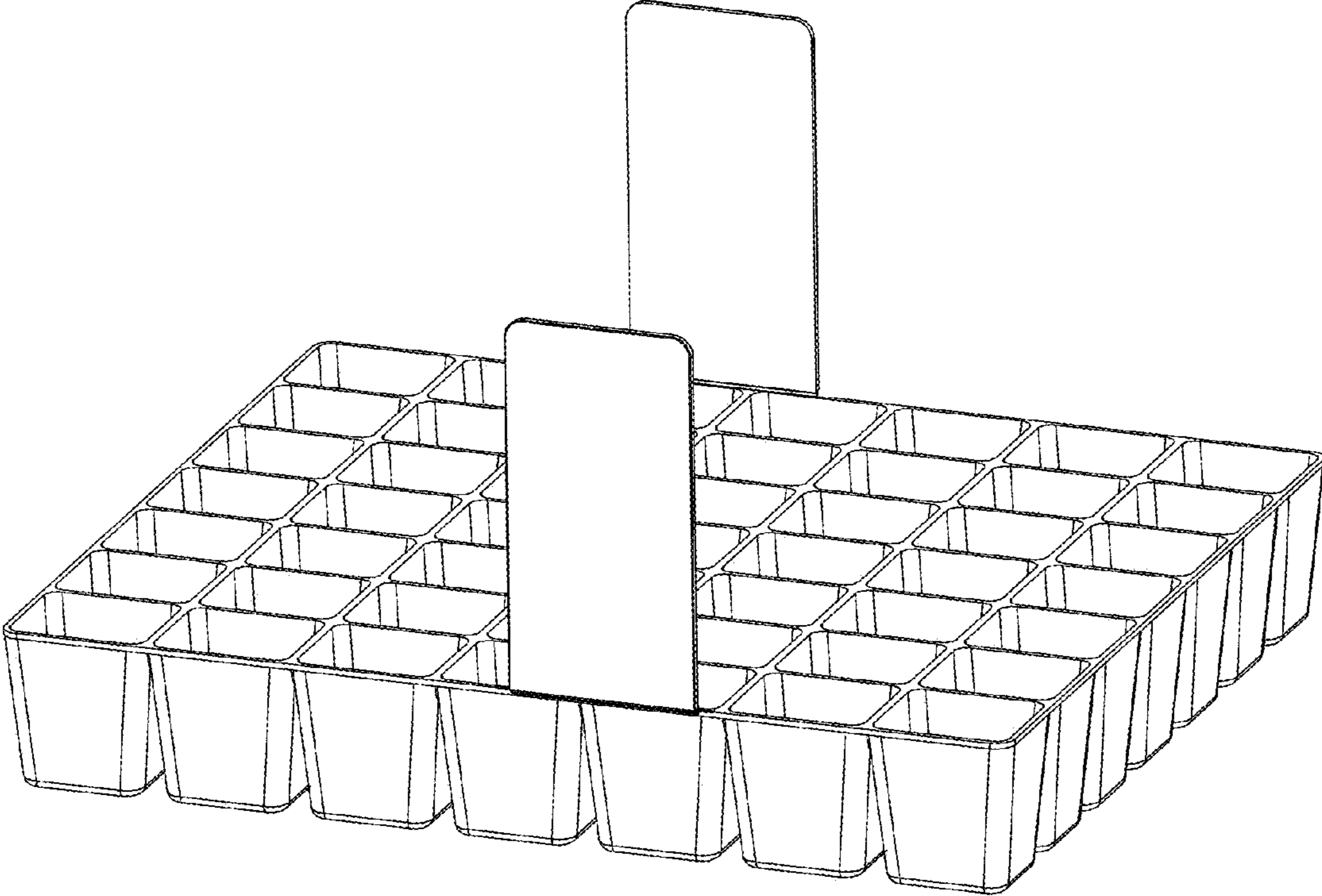


FIG. 2

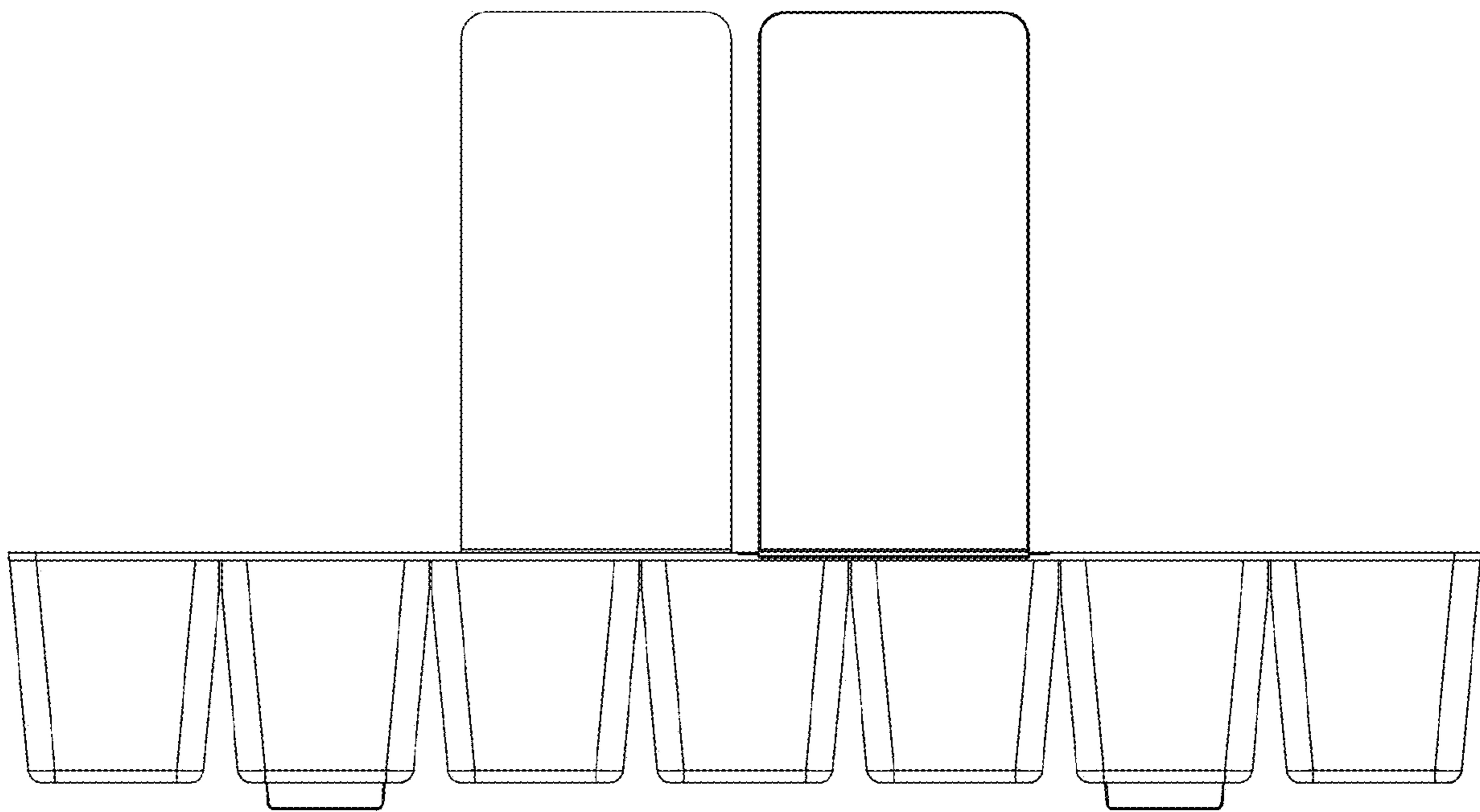


FIG. 3

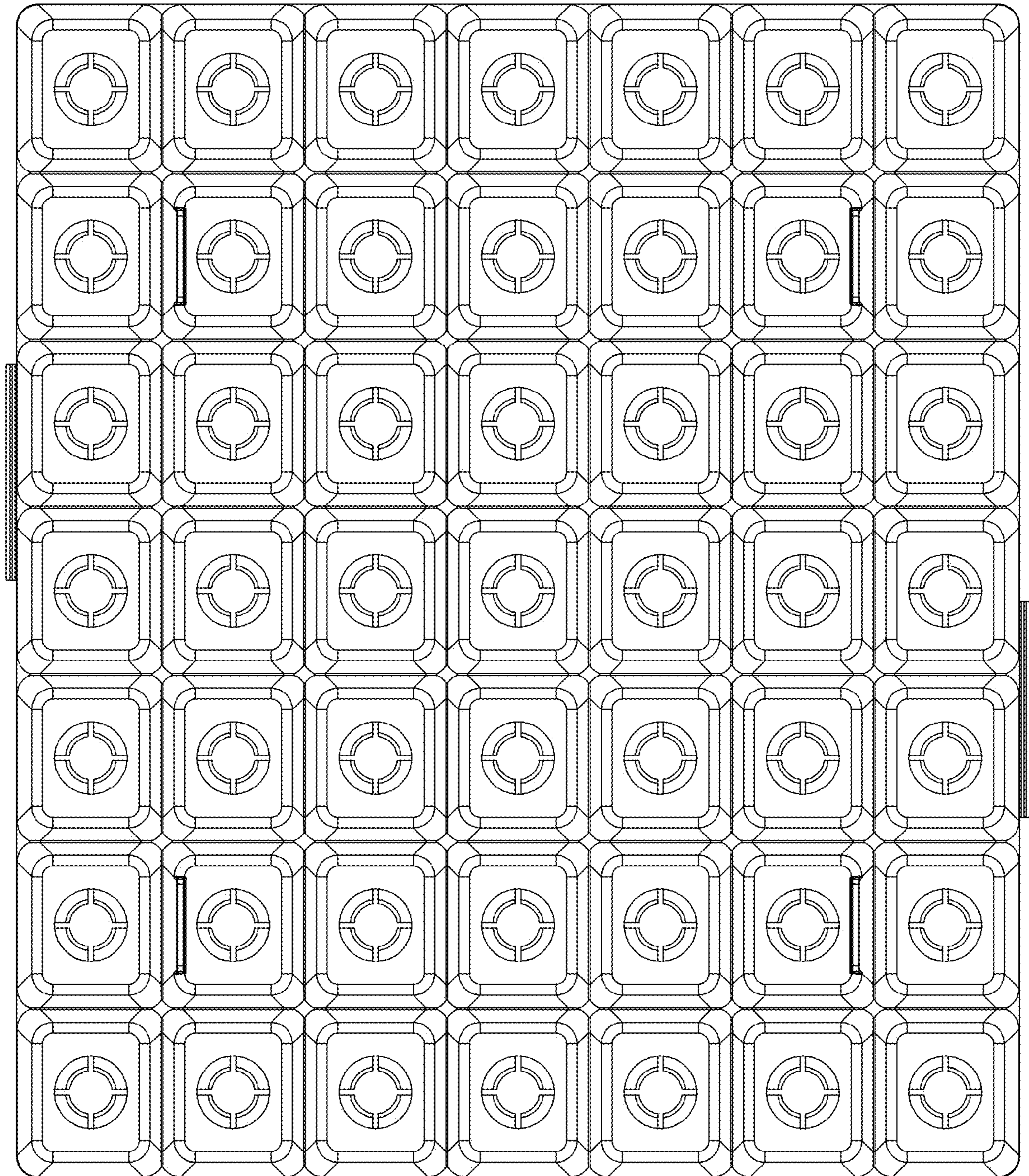


FIG. 4

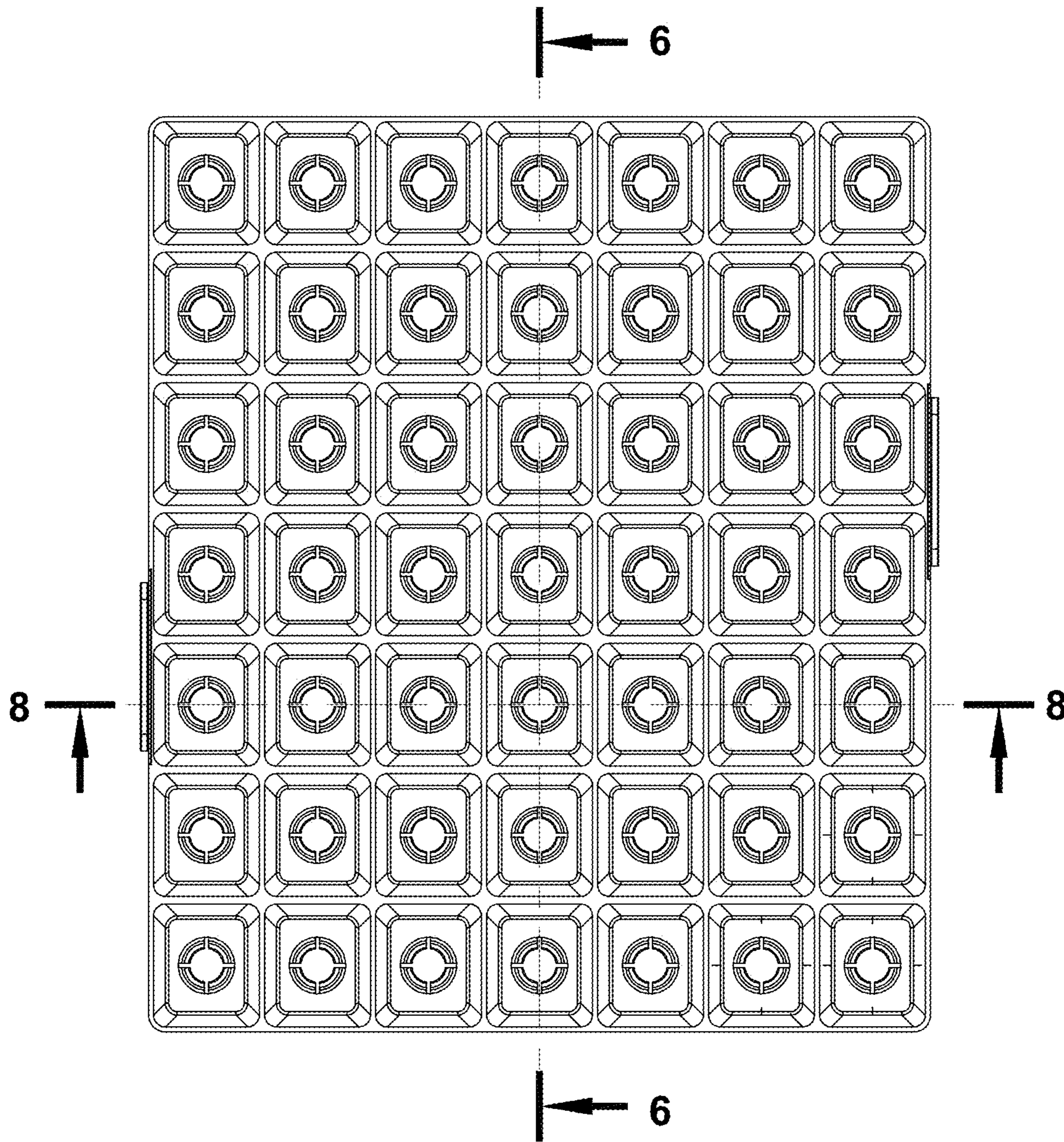


FIG. 5

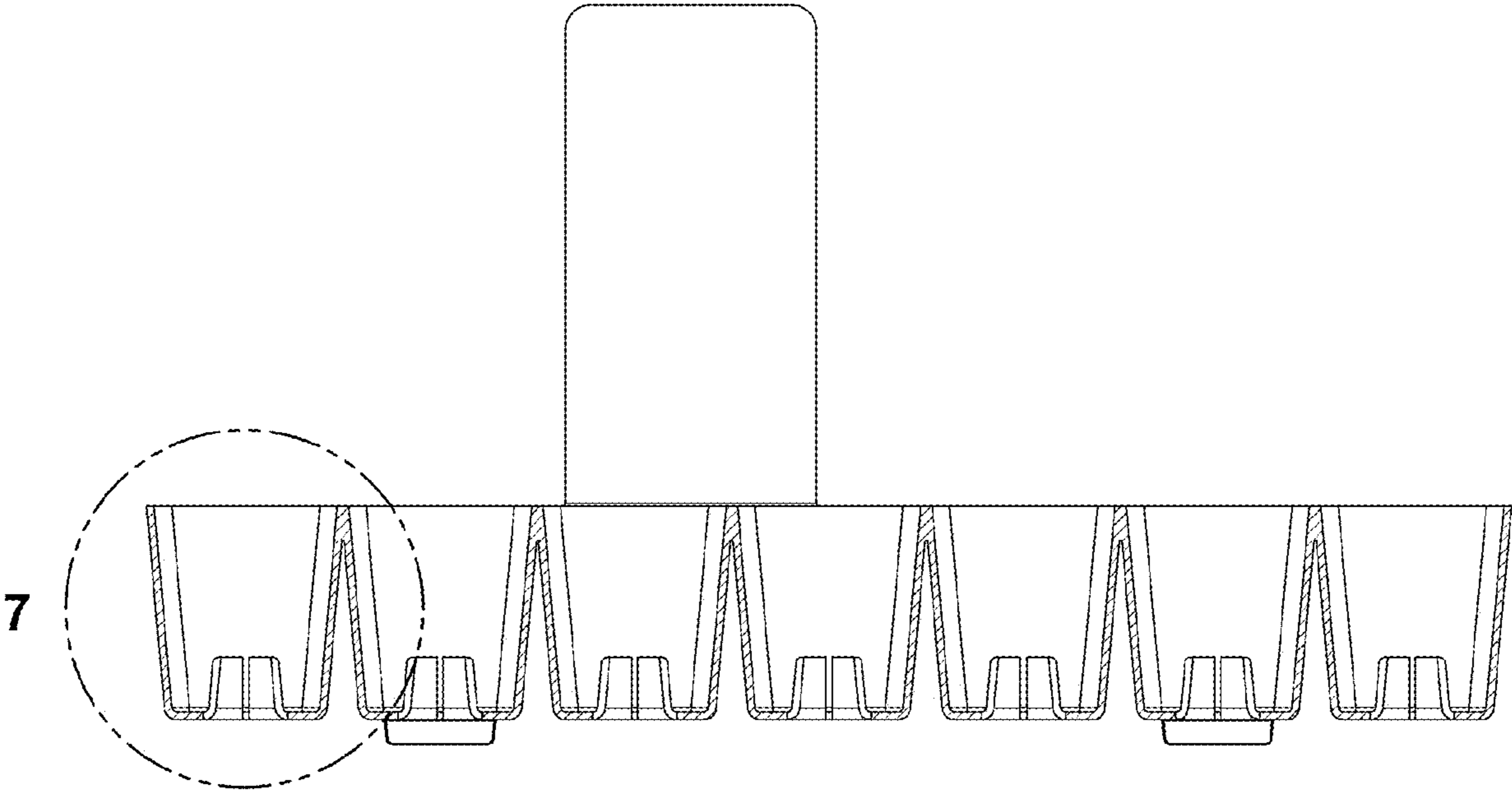


FIG. 6

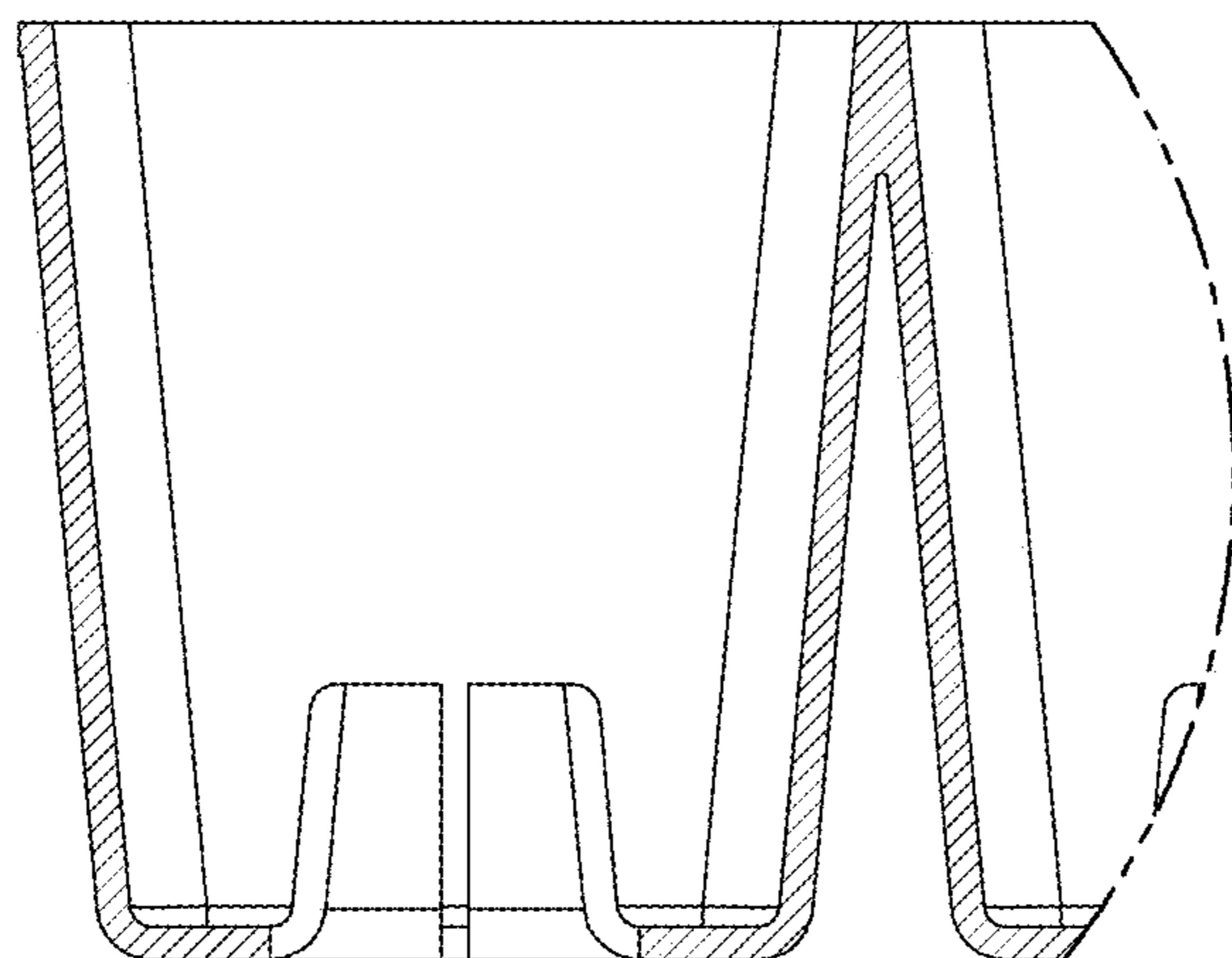


FIG. 7

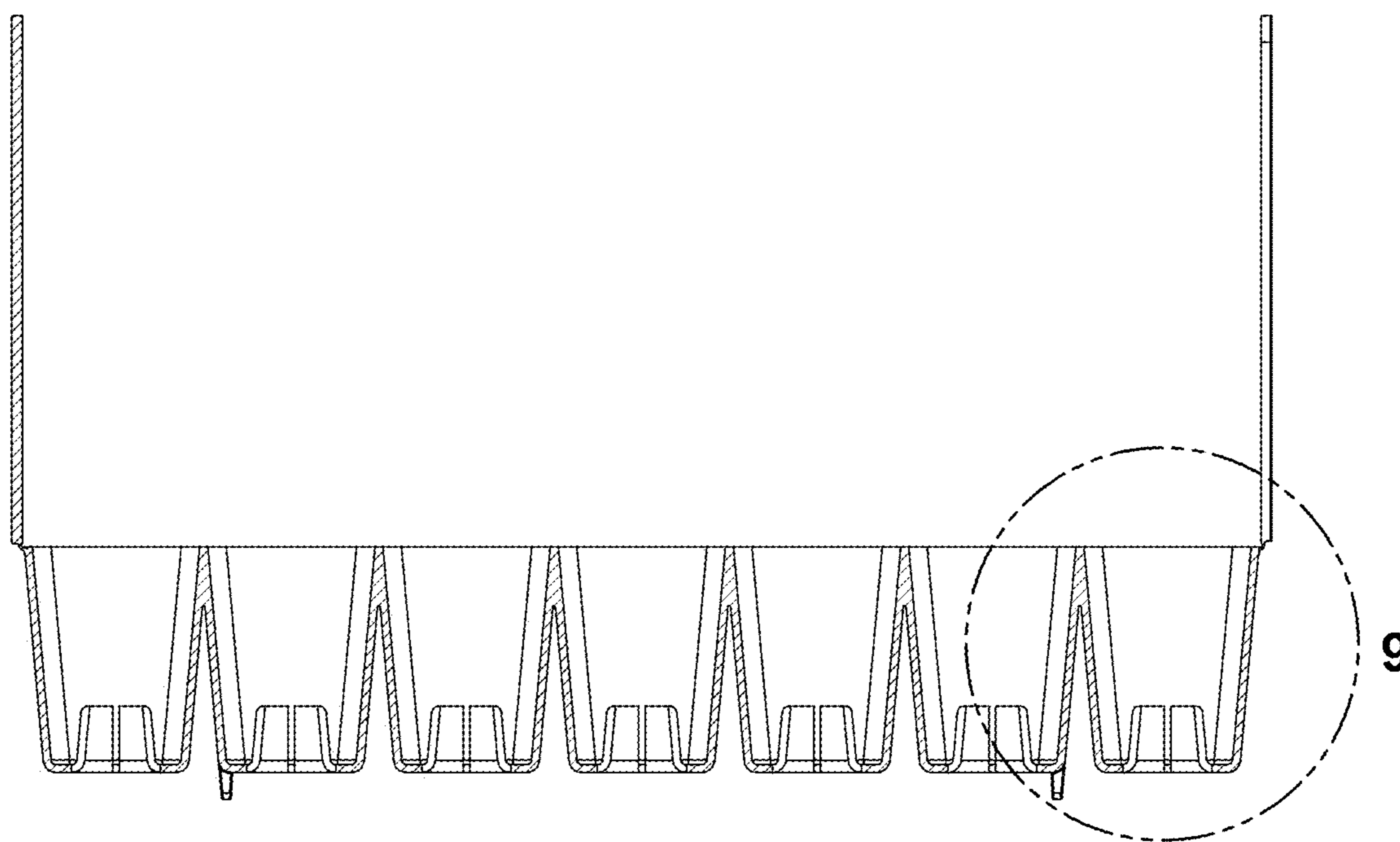


FIG. 8

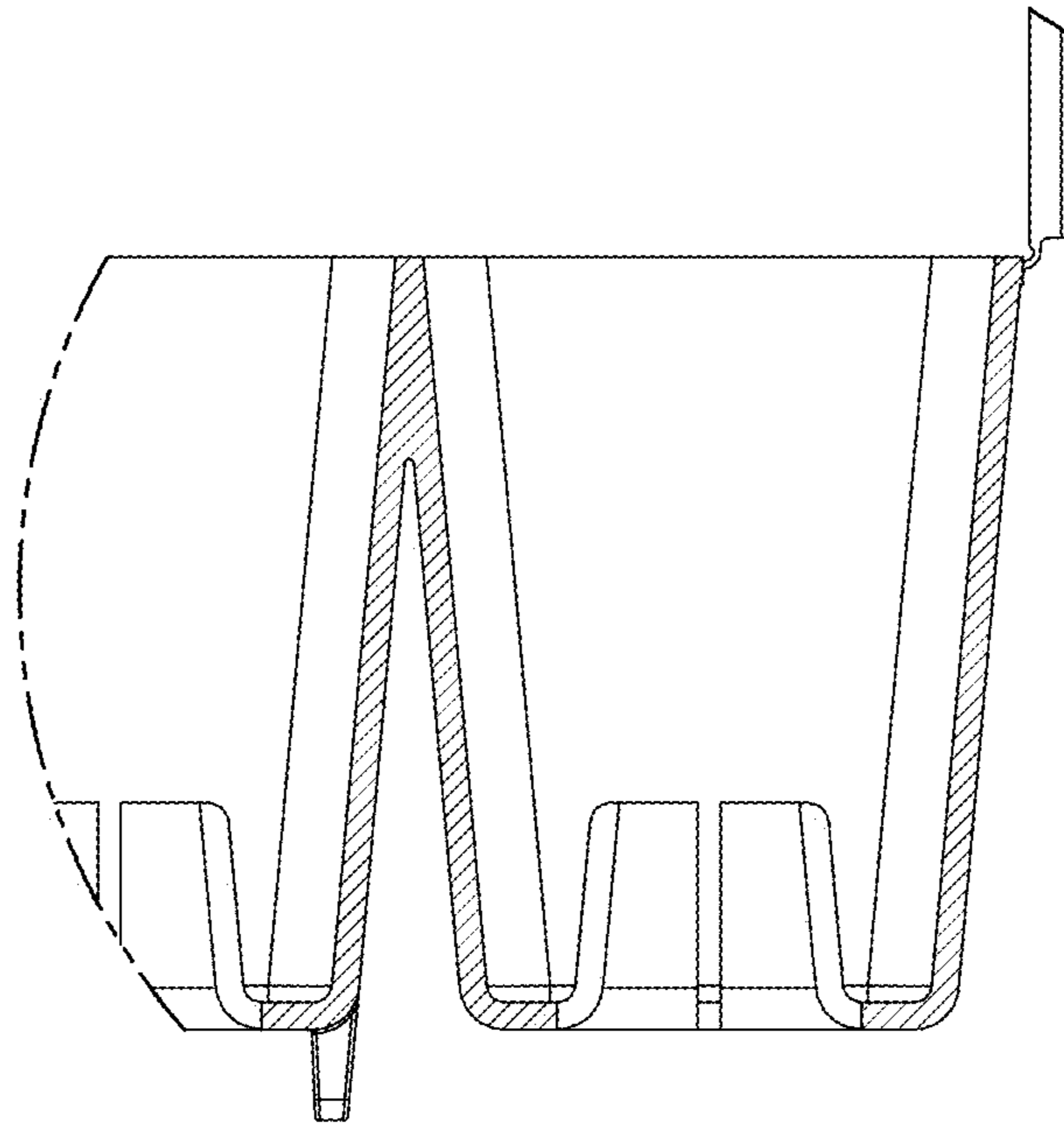


FIG. 9