



US00D873164S

(12) **United States Design Patent**
Goltche

(10) **Patent No.:** **US D873,164 S**

(45) **Date of Patent:** **** Jan. 21, 2020**

(54) **SURFACE MOUNT LED**

(71) Applicant: **Yehuda Goltche**, Great Neck, NY (US)

(72) Inventor: **Yehuda Goltche**, Great Neck, NY (US)

(**) Term: **15 Years**

(21) Appl. No.: **29/650,663**

(22) Filed: **Jun. 8, 2018**

Related U.S. Application Data

(63) Continuation-in-part of application No. 29/605,476, filed on May 26, 2017, now Pat. No. Des. 832,125.

(51) **LOC (12) Cl.** **10-05**

(52) **U.S. Cl.**
USPC **D10/114.1**

(58) **Field of Classification Search**
USPC D10/104.1, 109.1, 109.2, 110, 111,
D10/114.1–114.8; D12/401, 406, 412,
D12/414, 190; D26/28, 35, 36, 102, 104,
D26/118, 120, 122
CPC F21S 41/151; B60Q 1/2611
See application file for complete search history.

(56) **References Cited**

U.S. PATENT DOCUMENTS

- D457,457 S * 5/2002 Povey G08B 5/38
D10/114.1
- D512,790 S * 12/2005 Handsaker D26/28
- D589,835 S * 4/2009 Pokorny D10/110
- D589,836 S * 4/2009 Pokorny D10/110
- D591,187 S * 4/2009 Pokorny D10/110
- D591,188 S * 4/2009 Pokorny D10/110
- D595,172 S * 6/2009 Pokorny D10/114.1
- D618,124 S * 6/2010 Luscombe D10/114.1
- D682,133 S * 5/2013 Chen D10/114.1

- D736,433 S * 8/2015 Kuei-Lai D10/114.1
- D744,133 S * 11/2015 Deyaf F21V 5/04
D26/28
- D745,718 S * 12/2015 Deyaf D26/28
- D796,710 S * 9/2017 Deyaf D26/28
- D853,875 S * 7/2019 Stein D10/114.1
- 2015/0184809 A1 * 7/2015 Kuo F21V 5/04
362/311.14

* cited by examiner

Primary Examiner — George D. Kirschbaum

Assistant Examiner — Joseph J Kukella

(74) *Attorney, Agent, or Firm* — Dunlap Bennett & Ludwig PLLC

(57) **CLAIM**

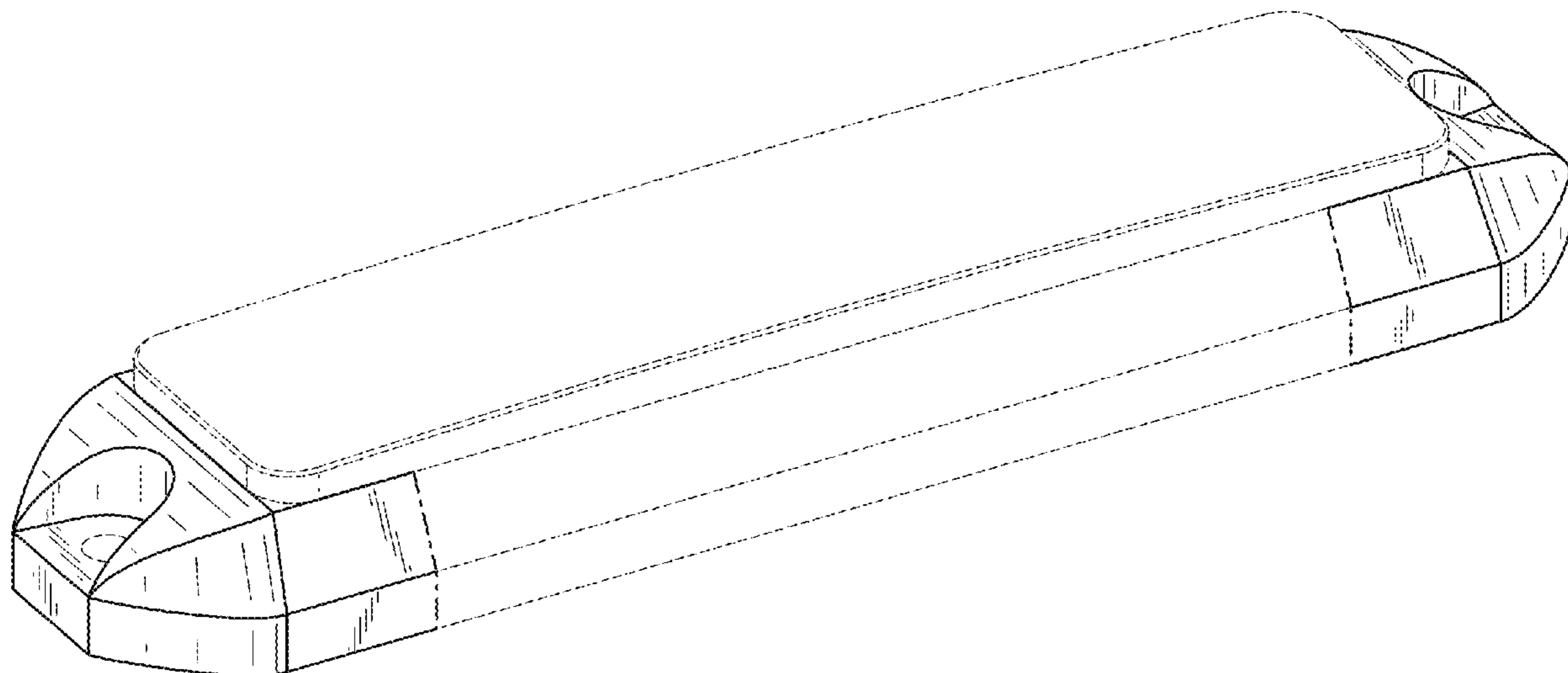
The ornamental design for a surface mount LED, as shown and described.

DESCRIPTION

FIG. 1 is a top perspective view of a surface mount LED, showing my new design;
FIG. 2 is a bottom perspective view thereof;
FIG. 3 is a front elevation view thereof, the rear elevation view being an identical image thereof;
FIG. 4 is a left elevation view thereof, the right elevation view being an identical image thereof;
FIG. 5 is a top plan view thereof; and,
FIG. 6 is a bottom plan view thereof.

The broken lines consisting of evenly sized broken lines in the drawings depict portions of the surface mount LED that form no part of the claimed design, while the broken lines consisting of unevenly sized dash-dot-dash lines in the drawings depict the boundary of the claimed invention and it is understood that the claim extends to the boundary that forms no part of the claimed design.

1 Claim, 4 Drawing Sheets



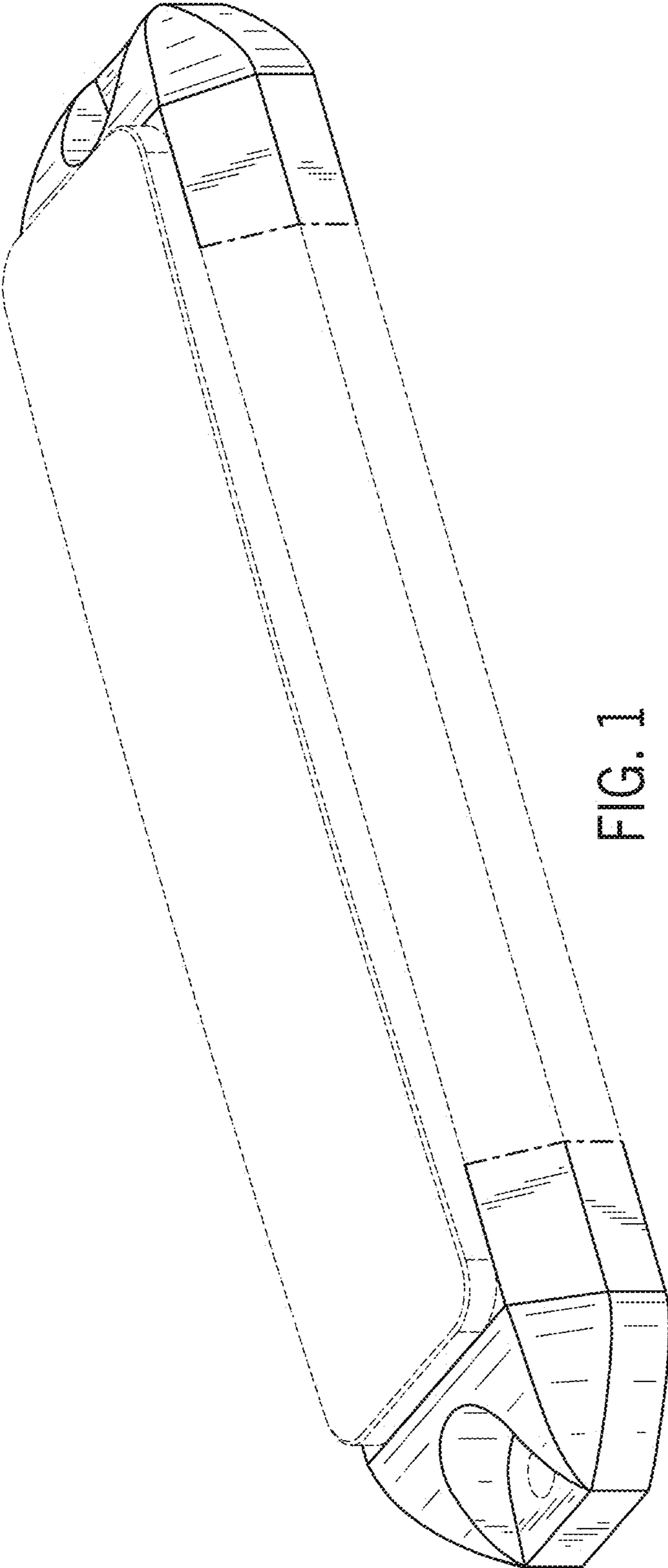


FIG. 1

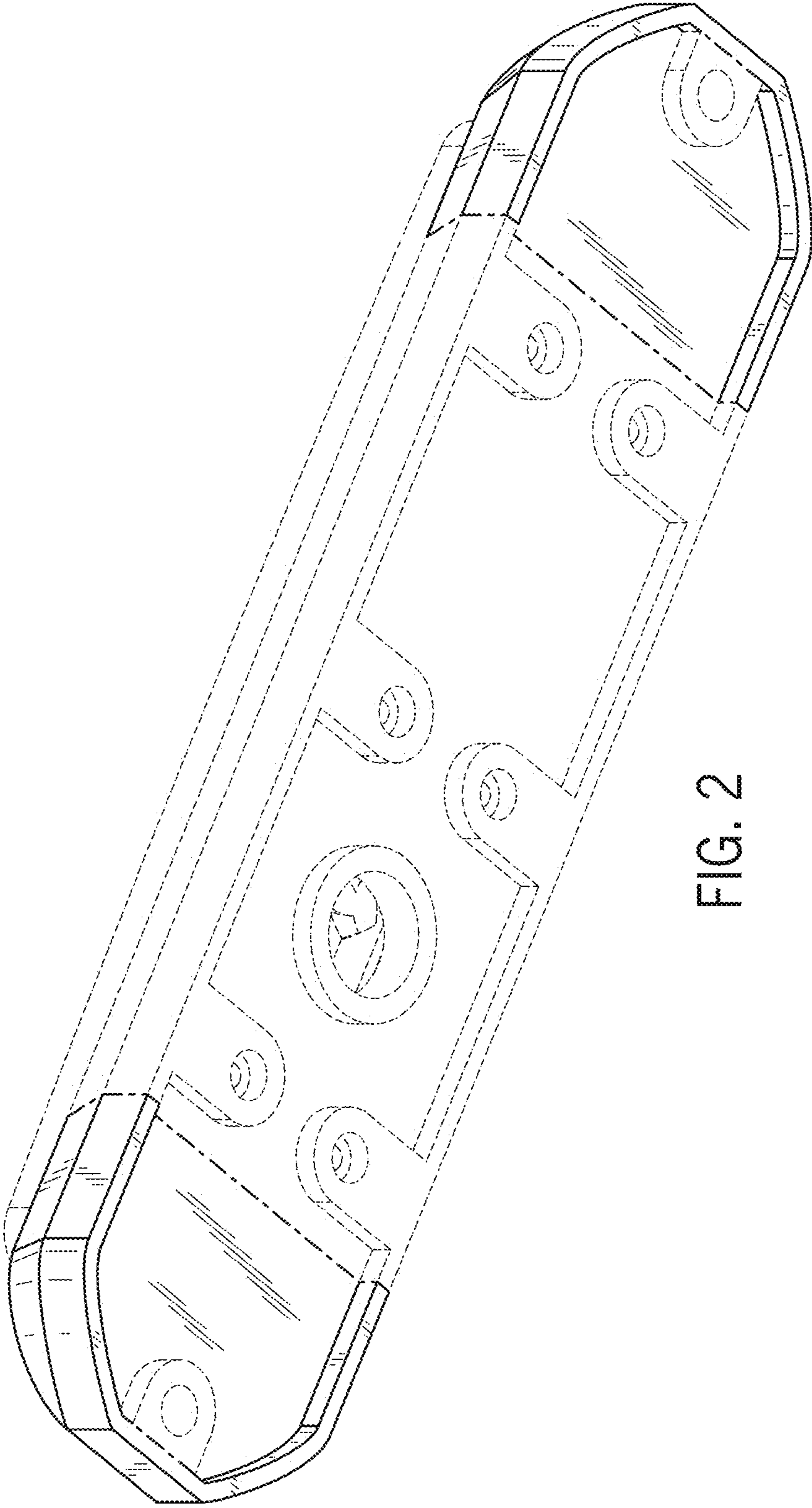


FIG. 2

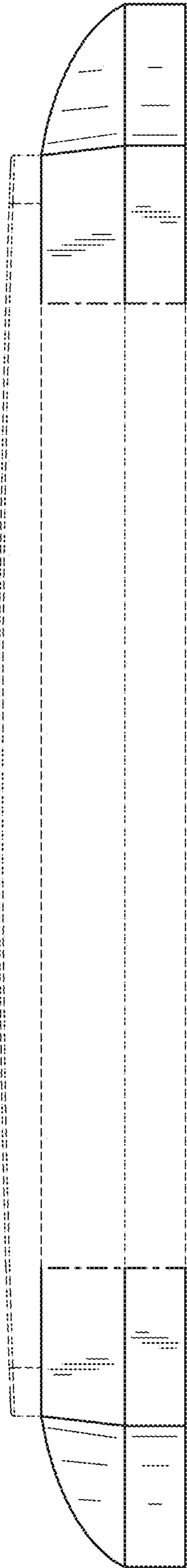


FIG. 3

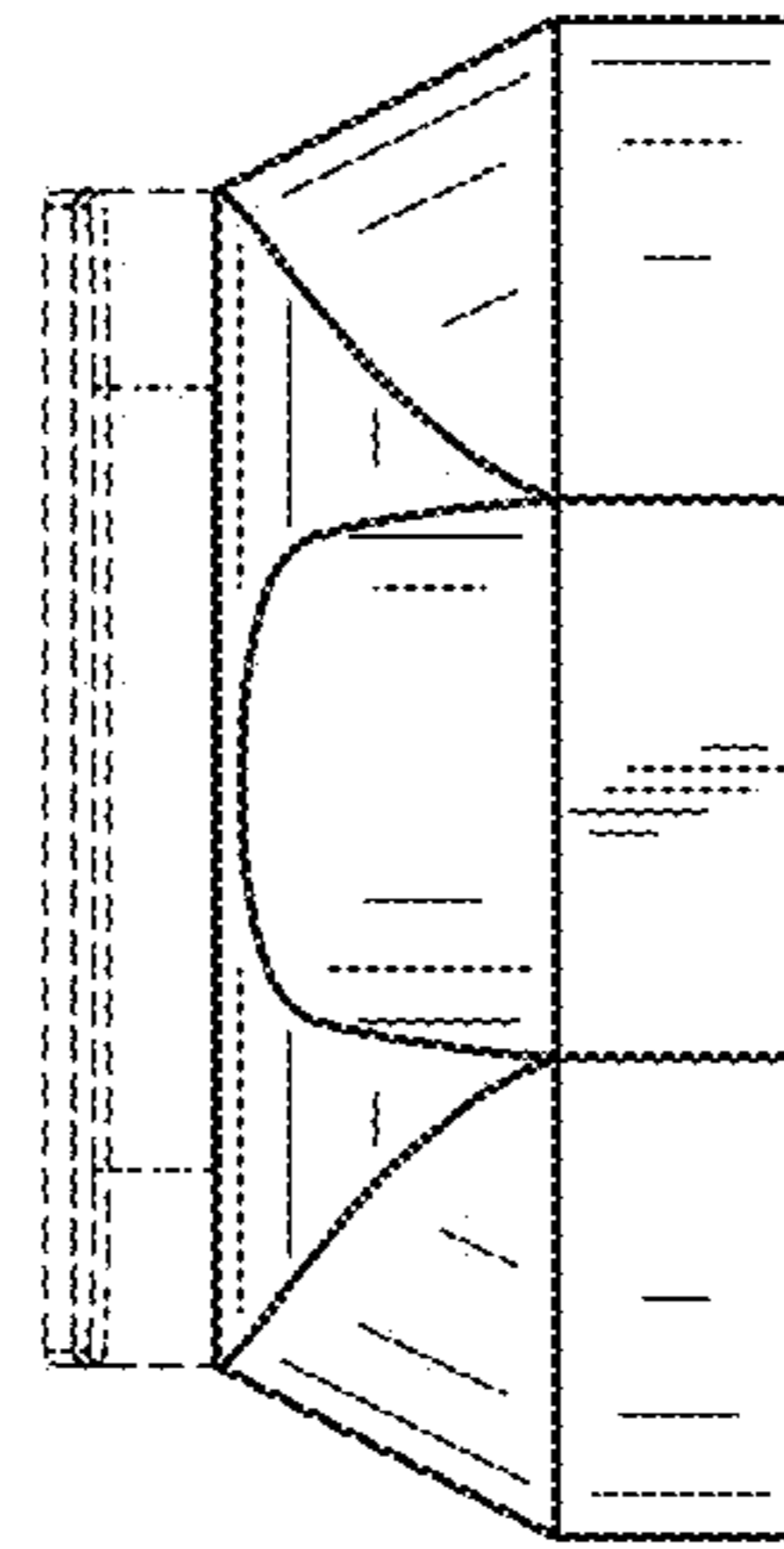


FIG. 4

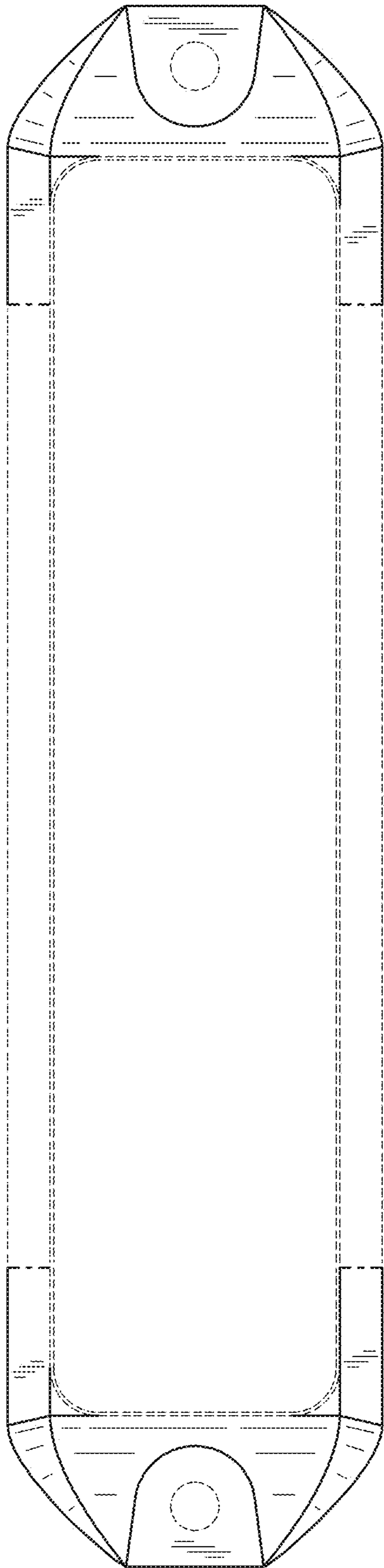


FIG. 5

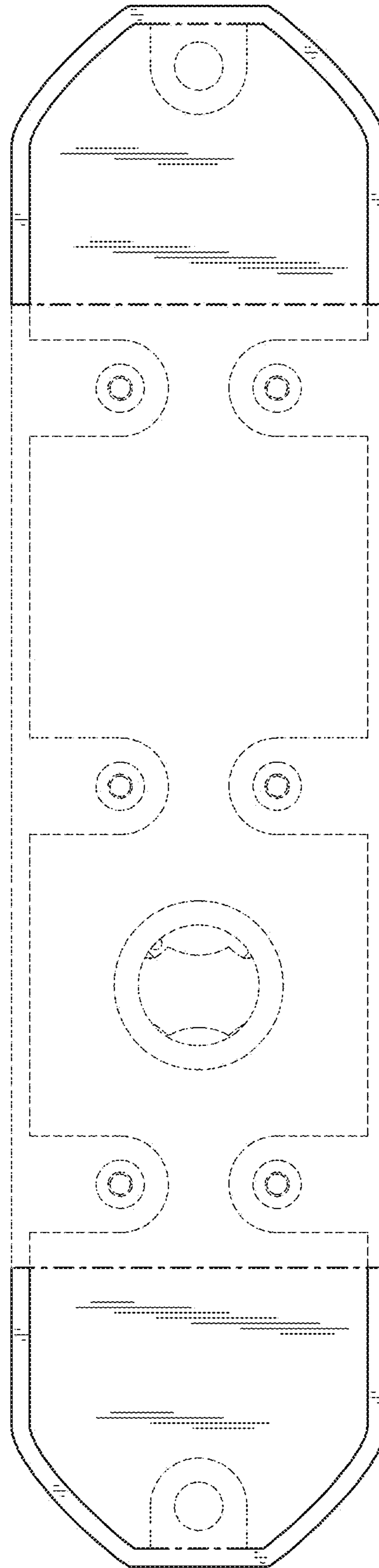


FIG. 6