



US00D873158S

(12) **United States Design Patent** (10) **Patent No.:** **US D873,158 S**
Wieser (45) **Date of Patent:** **** Jan. 21, 2020**

(54) **SURVEYING INSTRUMENT**
(71) Applicant: **Leica Geosystems AG**, Heerbrugg (CH)
(72) Inventor: **Matthias Wieser**, Wendlingen (DE)
(73) Assignee: **Leica Geosystems AG**, Heerbrugg (CH)

D705,678 S * 5/2014 Steffey D10/66
D723,398 S * 3/2015 Ishii D10/66
D766,753 S * 9/2016 Ishii D10/66
D766,754 S * 9/2016 Aoki D10/66
D768,516 S * 10/2016 Aoki D10/66
D777,588 S * 1/2017 Aoki D10/66
D778,745 S * 2/2017 Ishii D10/66
D781,730 S * 3/2017 Ishii D10/66
D781,731 S * 3/2017 Ishii D10/66
D787,345 S * 5/2017 Ishii D10/66

(Continued)

(**) Term: **15 Years**

(21) Appl. No.: **29/654,154**

(22) Filed: **Jun. 21, 2018**

Related U.S. Application Data

(62) Division of application No. 29/596,907, filed on Mar. 13, 2017, now Pat. No. Des. 845,794.

(30) **Foreign Application Priority Data**

Nov. 9, 2016 (CH) DM/093679
Nov. 9, 2016 (EM) DM/093679
Nov. 9, 2016 (LI) DM/093679

(51) **LOC (12) Cl.** **10-04**

(52) **U.S. Cl.**
USPC **D10/66**

(58) **Field of Classification Search**
USPC D10/65, 66, 69, 70, 75
CPC G01C 1/00-14; G01C 15/002; G01C 3/08;
G02B 7/32; G01D 5/24438; G01S 17/89
See application file for complete search history.

(56) **References Cited**

U.S. PATENT DOCUMENTS

D581,819 S * 12/2008 Banba D10/66
D638,318 S * 5/2011 Riegl D10/66
D642,485 S * 8/2011 Riegl D10/66
RE44,112 E * 4/2013 Riegl D10/66
RE44,751 E * 2/2014 Riegl D10/66

OTHER PUBLICATIONS

Leica Geosystems Announces Complete Imaging Solution: Leica BLK360 Imaging Laser Scanner and Autodesk ReCap 360 Pro App <http://scanable.com/3d-laser-scanning/leica-geosystems-autodesk-blk360-3d-laser-scanner/> Nov. 16, 2016 (Year: 2016).*

(Continued)

Primary Examiner — Leanne Was-Englehart

(74) *Attorney, Agent, or Firm* — Nutter McClennen & Fish LLP

(57) **CLAIM**

The ornamental design for a surveying instrument, as shown.

DESCRIPTION

FIG. 1 is a left-front perspective view of a surveying instrument.

FIG. 2 is a right-rear perspective view thereof.

FIG. 3 is a front elevation view thereof.

FIG. 4 is a left elevation view thereof.

FIG. 5 is a rear elevation view thereof.

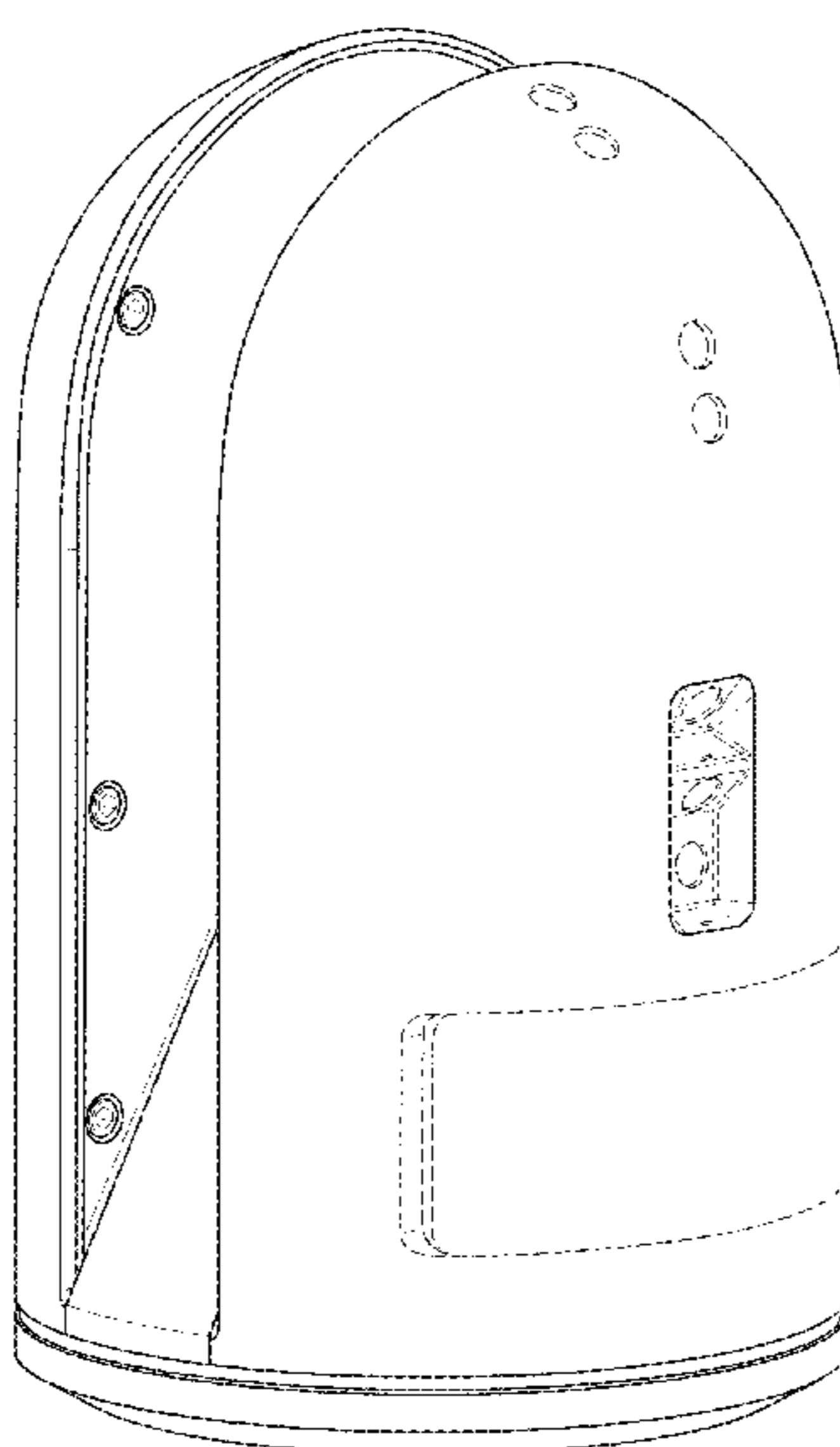
FIG. 6 is a right elevation view thereof.

FIG. 7 is a top view thereof; and,

FIG. 8 is a bottom view thereof.

The broken lines depict portions of the surveying instrument that form no part of the claimed design.

1 Claim, 8 Drawing Sheets



(56)

References Cited

U.S. PATENT DOCUMENTS

D843,860 S * 3/2019 Wieser D10/66
D844,468 S * 4/2019 Wieser D10/66
D845,794 S * 4/2019 Wieser D10/66
2007/0155069 A1* 7/2007 Sudou G01C 15/004
438/149
2014/0078519 A1* 3/2014 Steffey G01S 7/4817
356/625

OTHER PUBLICATIONS

Leica BLK 360 Laser Scanner YouTube <https://www.youtube.com/watch?v=E198xfNinqU> Oct. 16, 2017 (Year: 2017).*

* cited by examiner

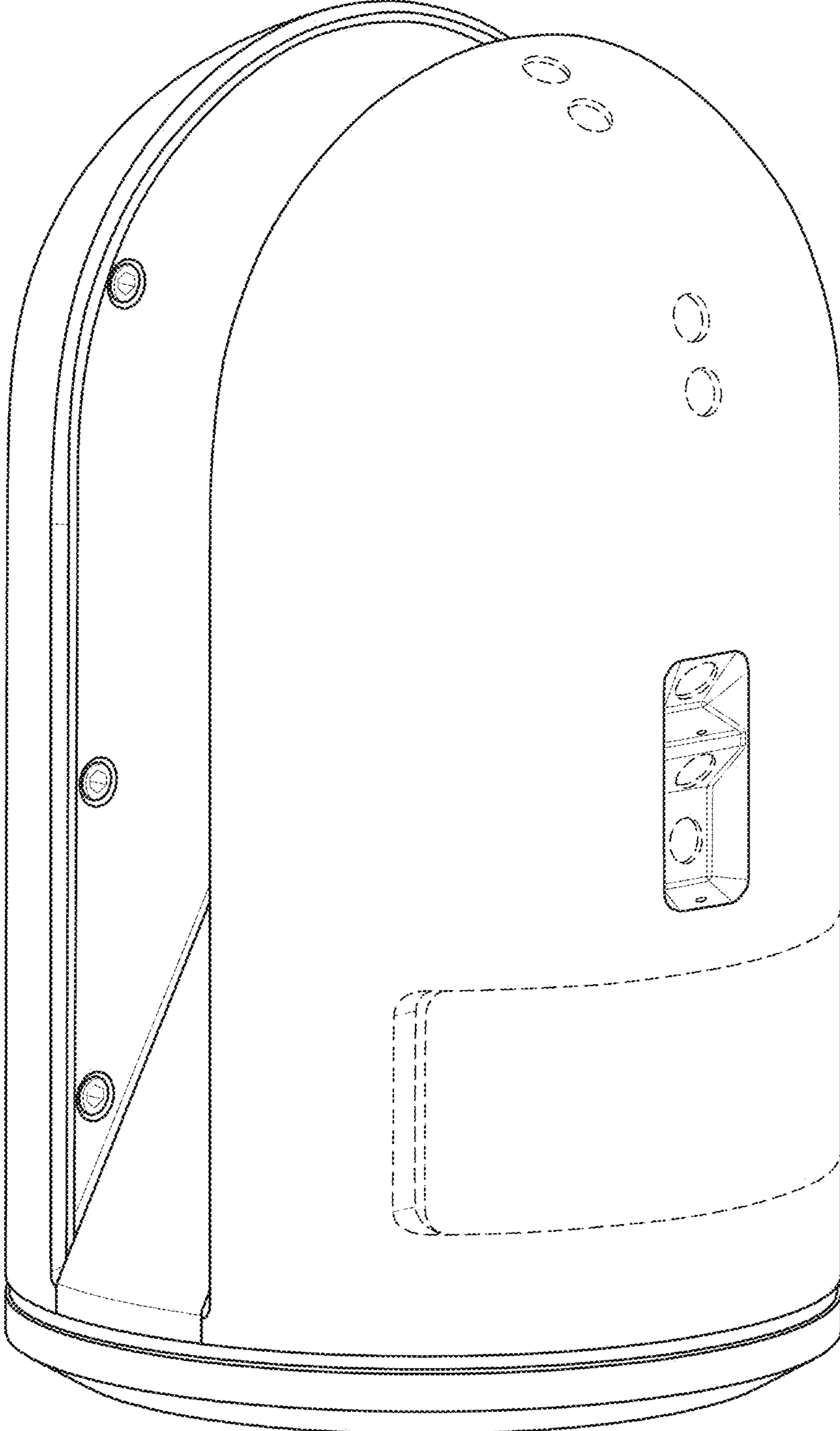


FIG. 1

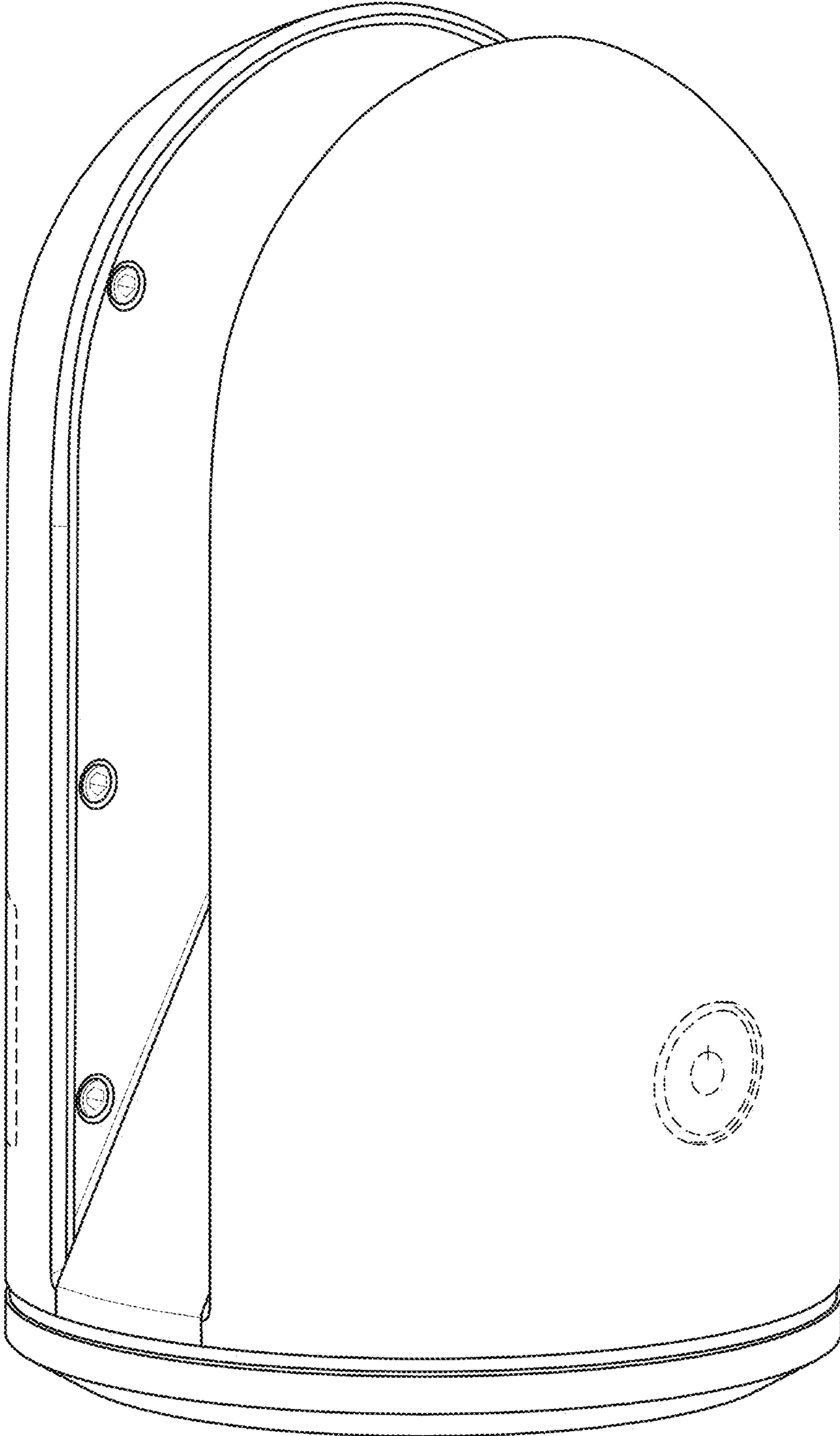


FIG. 2

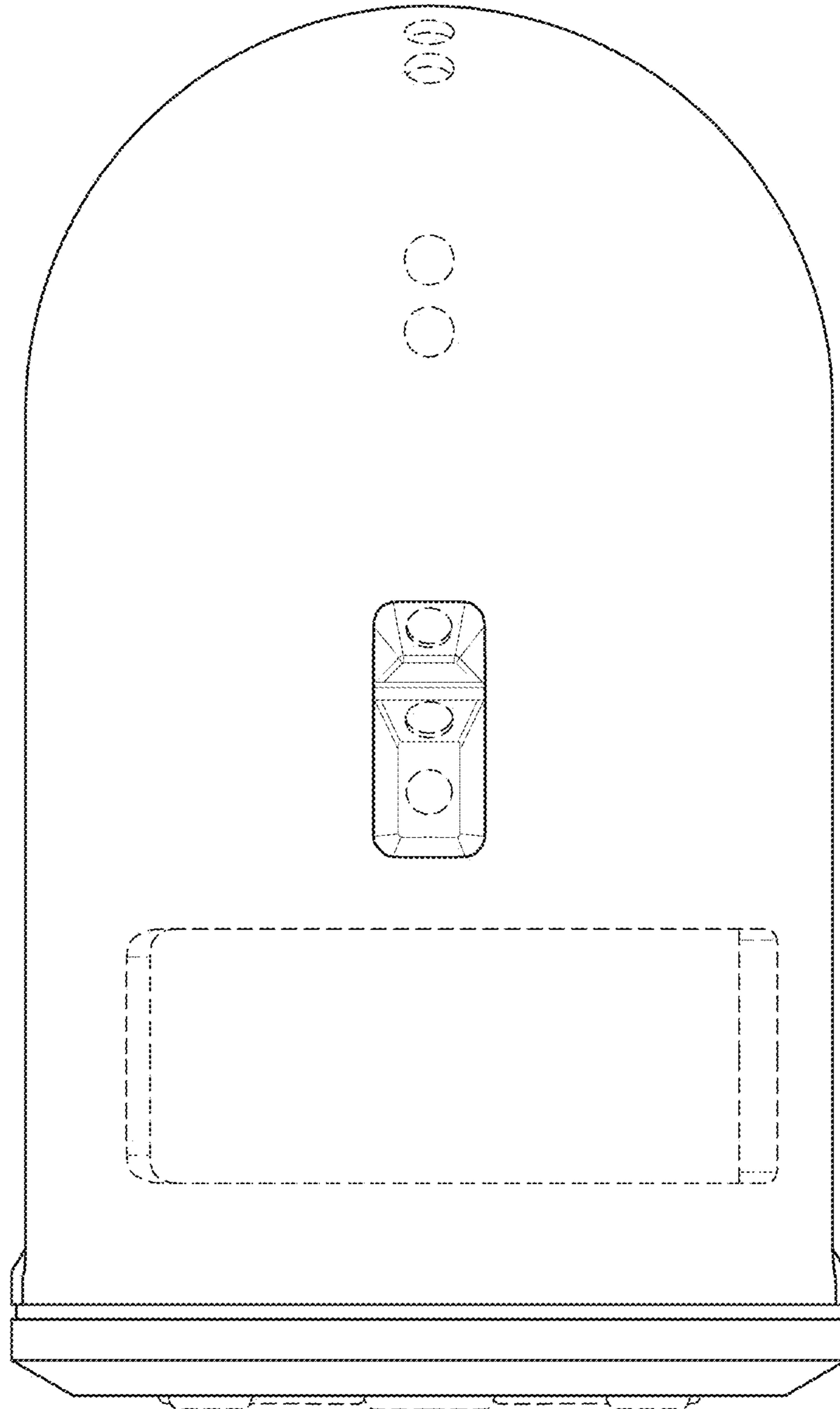


FIG. 3

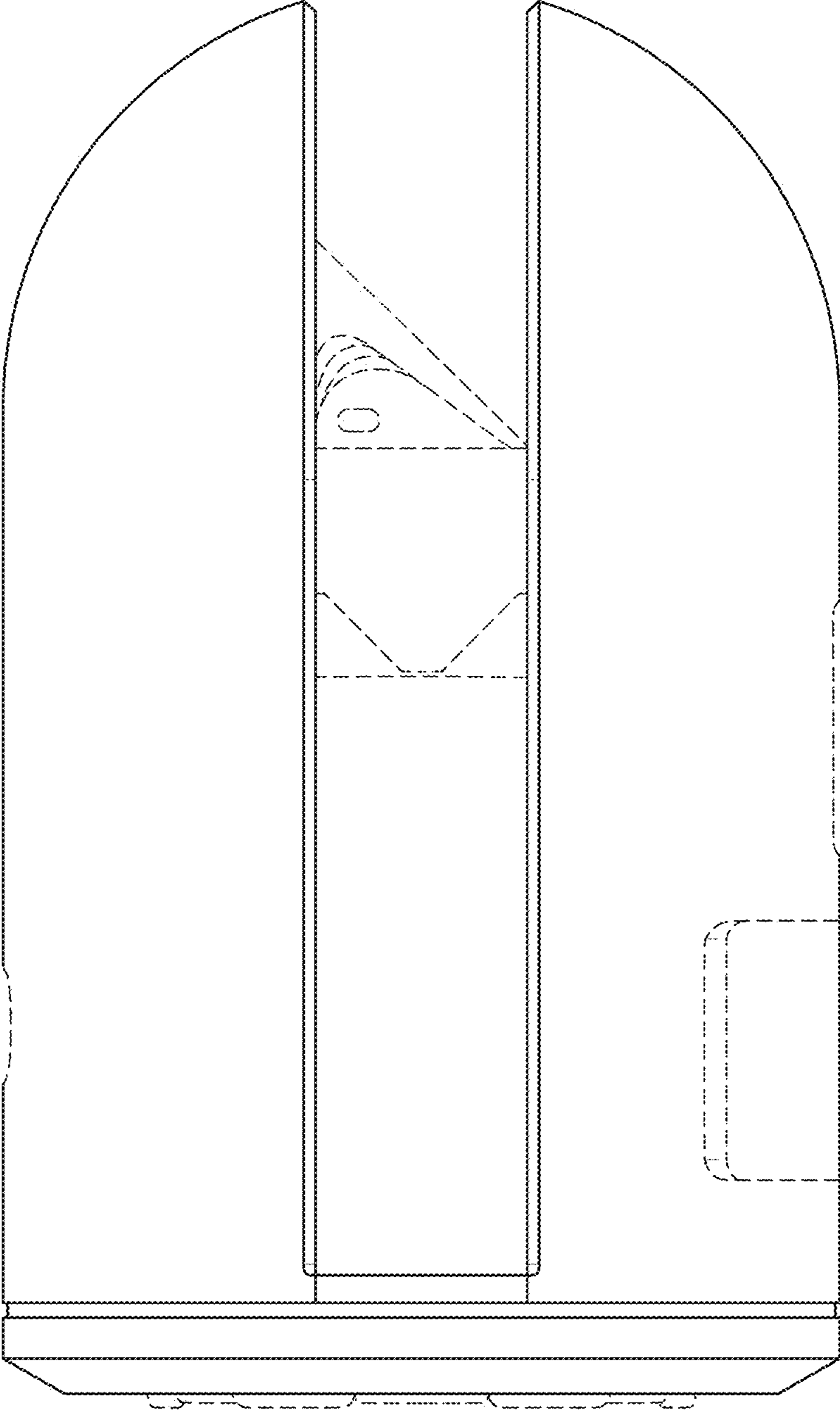


FIG. 4

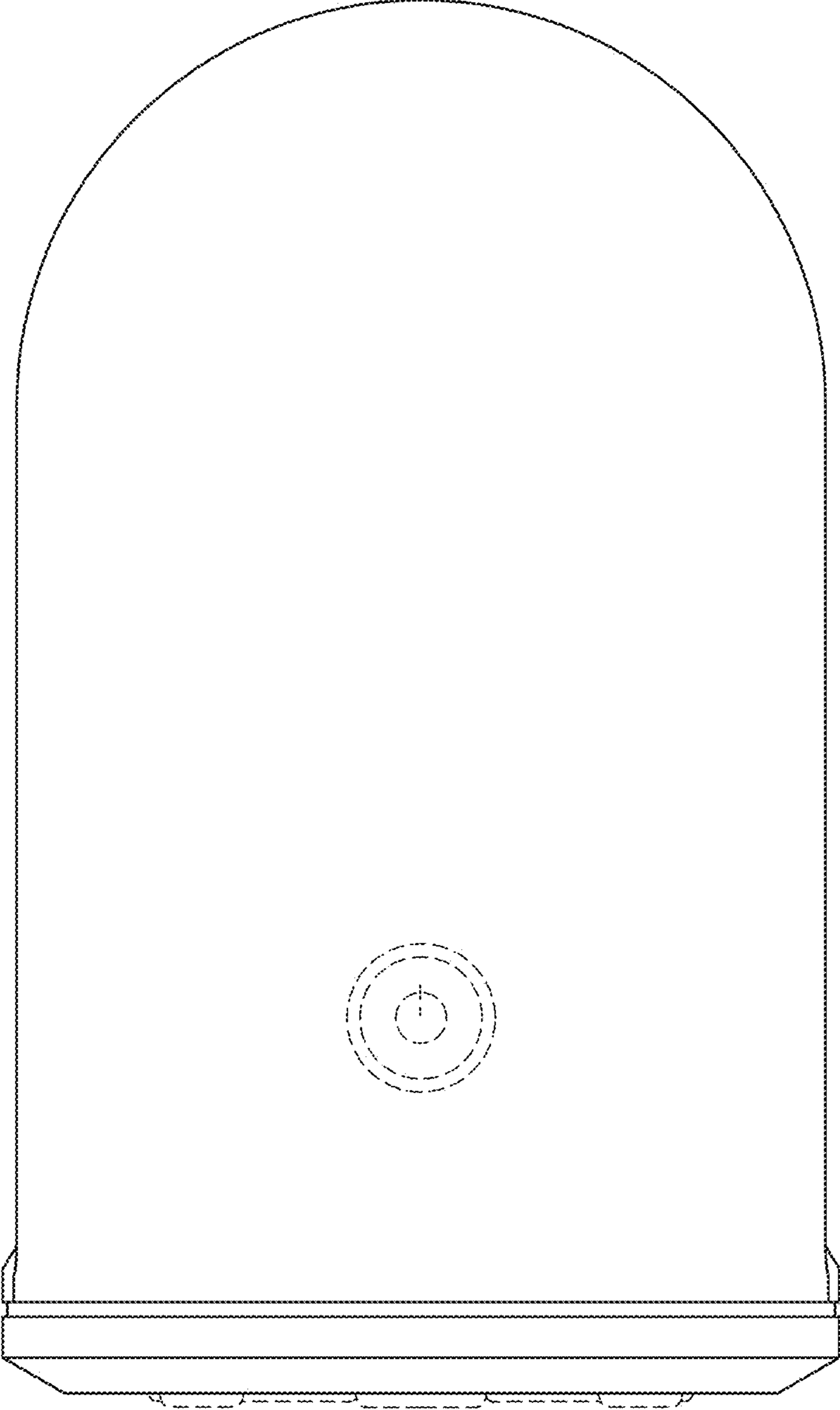


FIG. 5

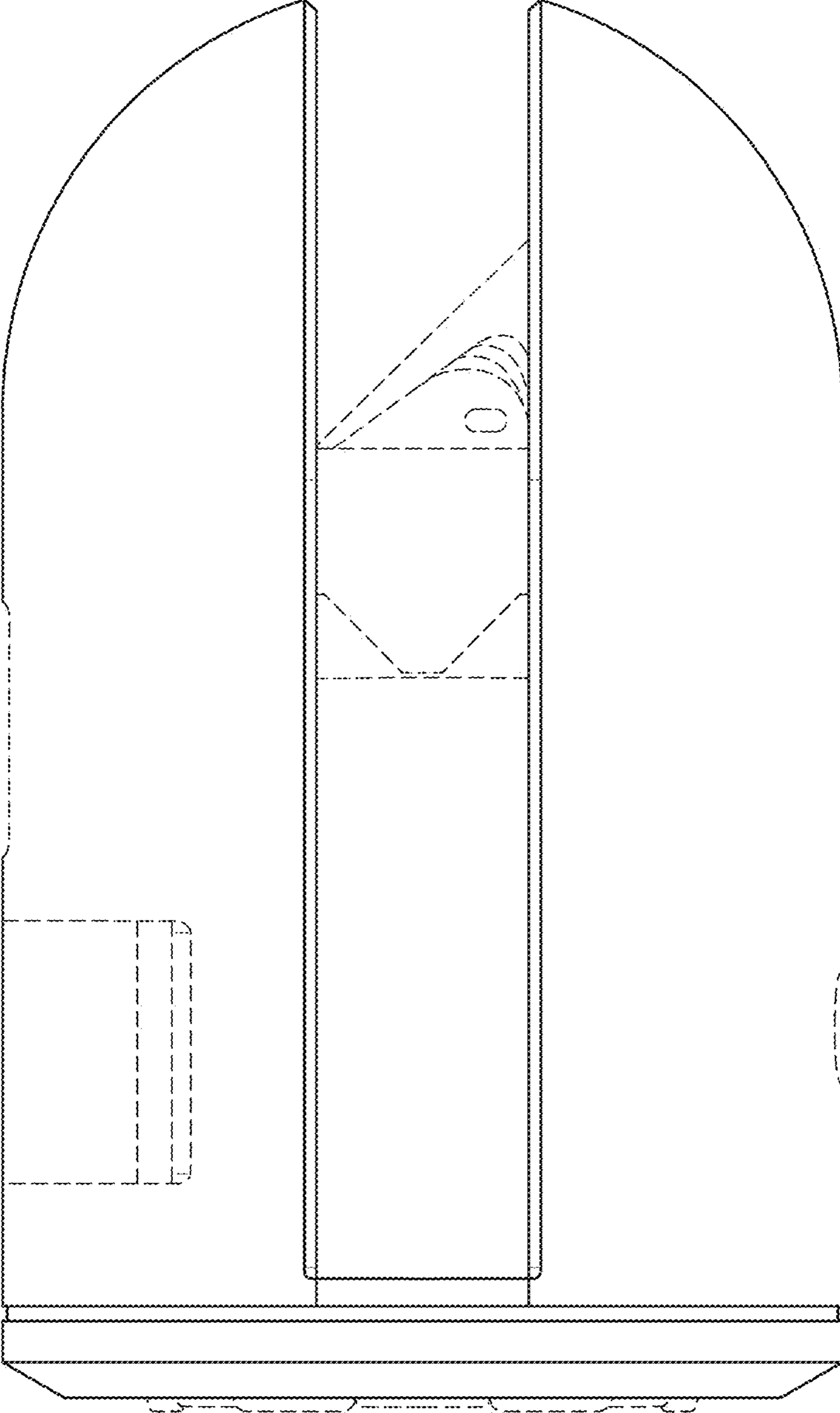


FIG. 6

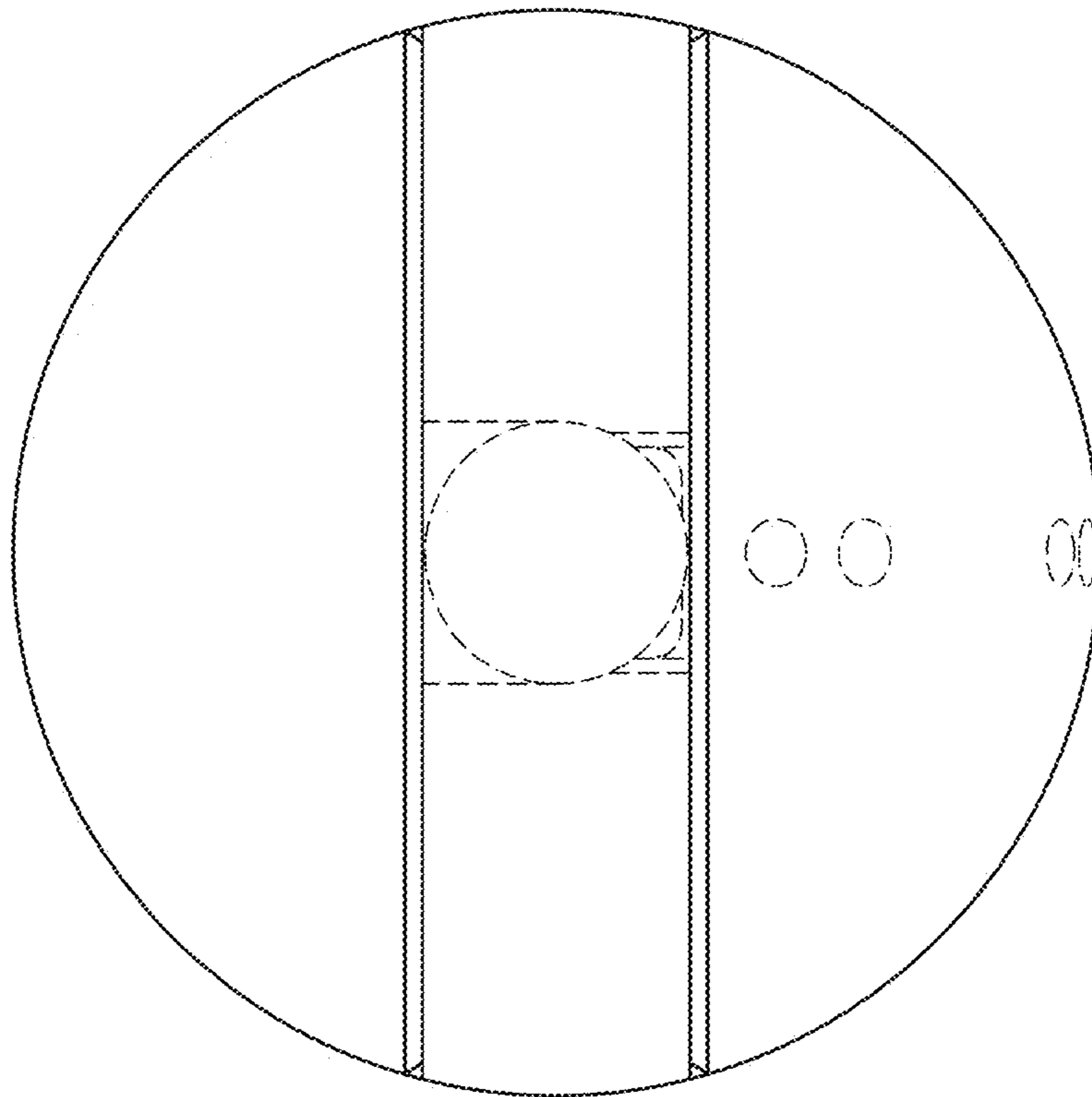


FIG. 7

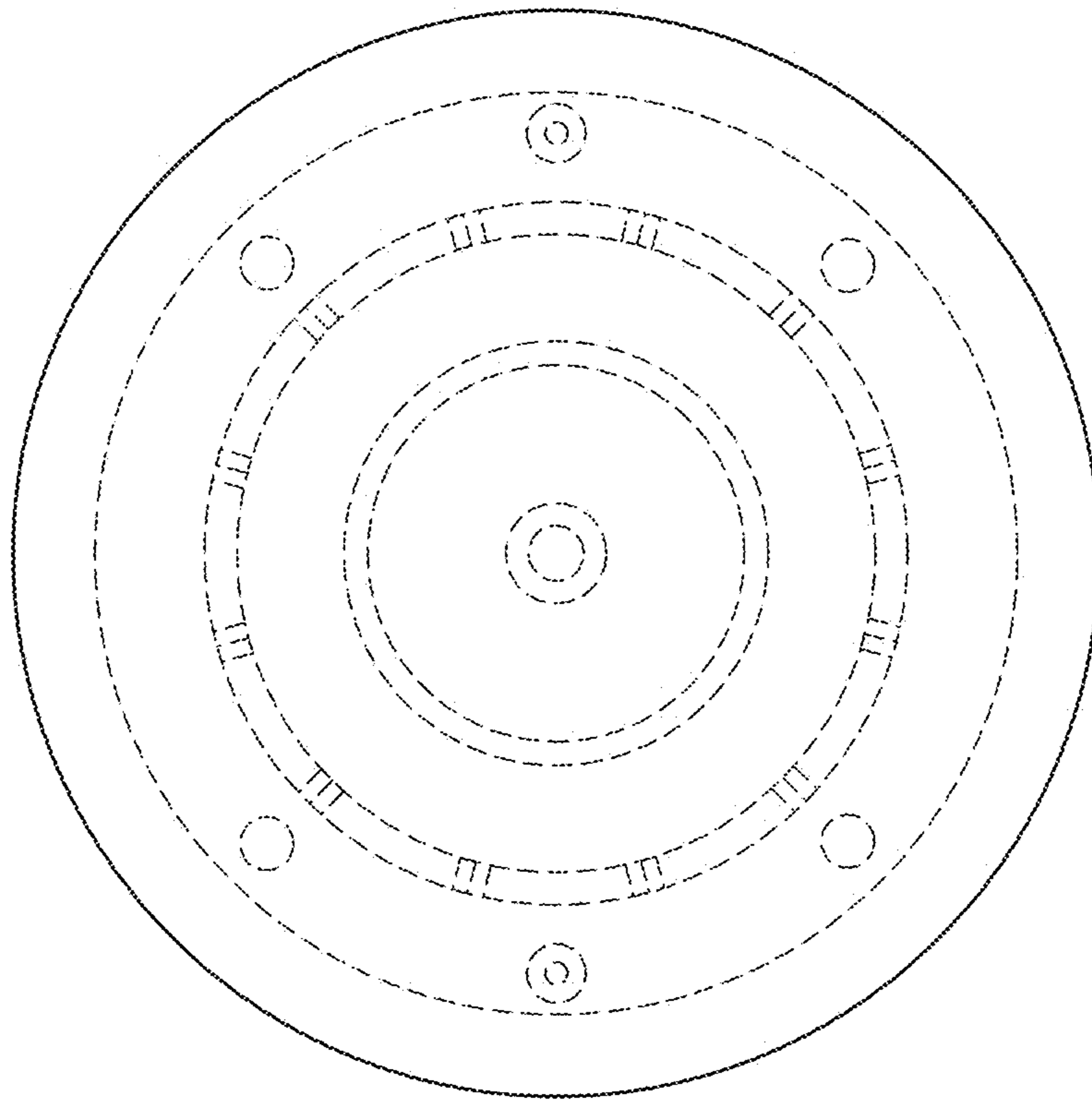


FIG. 8