



US00D873157S

(12) **United States Design Patent**  
**Gao et al.**

(10) **Patent No.:** **US D873,157 S**  
(45) **Date of Patent:** **\*\* Jan. 21, 2020**

(54) **INFRARED ELECTRONIC THERMOMETER**

(71) Applicant: **Shenzhen Jumper Medical Equipment Co., Ltd.**, Shenzhen, Guangdong (CN)

(72) Inventors: **Yongjie Gao**, Guangdong (CN); **Jie Ma**, Guangdong (CN); **Hui Yi**, Guangdong (CN)

(73) Assignee: **Shenzhen Jumper Medical Equipment Co., Ltd.**, Shenzhen (CN)

(\*\*) Term: **15 Years**

(21) Appl. No.: **29/665,057**

(22) Filed: **Sep. 29, 2018**

(30) **Foreign Application Priority Data**

May 30, 2018 (CN) ..... 2018 3 0262679

(51) **LOC (12) Cl.** ..... **10-04**

(52) **U.S. Cl.**  
USPC ..... **D10/57**

(58) **Field of Classification Search**  
USPC ..... D10/57

CPC ..... G01K 1/02; G01K 1/022; G01K 1/024; G01K 1/08; G01K 1/083; G01K 1/086; G01K 3/00-3/14; G01K 2003/145; G01K 13/002; G01K 13/004; G01K 2219/00; G01K 5/04-5/225; G01K 5/22; G01K 221/00; G01J 5/04; G01J 5/041; G01J 5/042; G01J 5/043; G01J 5/044; G01J 5/045; G01J 5/046; G01J 5/047; G01J 5/048; G01J 5/049; G01J 5/0265

See application file for complete search history.

(56) **References Cited**

U.S. PATENT DOCUMENTS

D664,053	S	*	7/2012	Lacotta	.....	D10/57
D666,111	S	*	8/2012	Lacotta	.....	D10/57
D676,770	S	*	2/2013	Lacotta	.....	D10/57
D693,247	S	*	11/2013	Juhng	.....	D10/57
D843,243	S	*	3/2019	Wang	.....	D10/57

\* cited by examiner

*Primary Examiner* — Antoine Duval Davis

(57) **CLAIM**

The ornamental design for an infrared electronic thermometer, as shown and described.

**DESCRIPTION**

FIG. 1 is a top, front and right side perspective view of an infrared electronic thermometer showing our new design; FIG. 2 is a bottom, rear and right side perspective view thereof;

FIG. 3 is a front elevational view thereof;

FIG. 4 is a rear elevational view thereof;

FIG. 5 is a left side view thereof;

FIG. 6 is a right side view thereof;

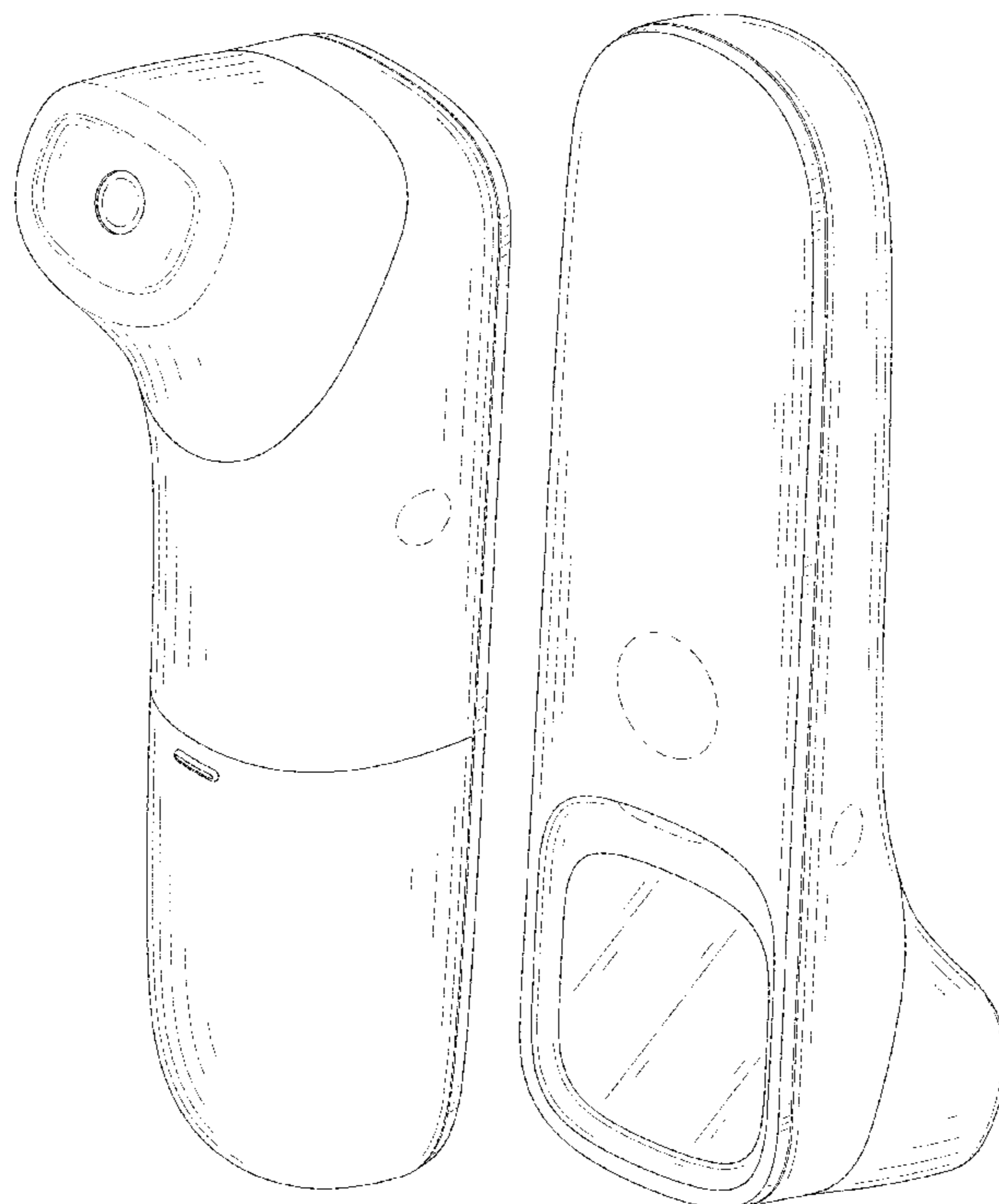
FIG. 7 is a top plan view thereof; and,

FIG. 8 is a bottom plan view thereof.

The broken lines in the drawings illustrate portions of the infrared electronic thermometer which form no part of the claimed design.

The oblique shade lines in FIG. 2 and FIG. 4 represent reflective surfaces.

**1 Claim, 8 Drawing Sheets**



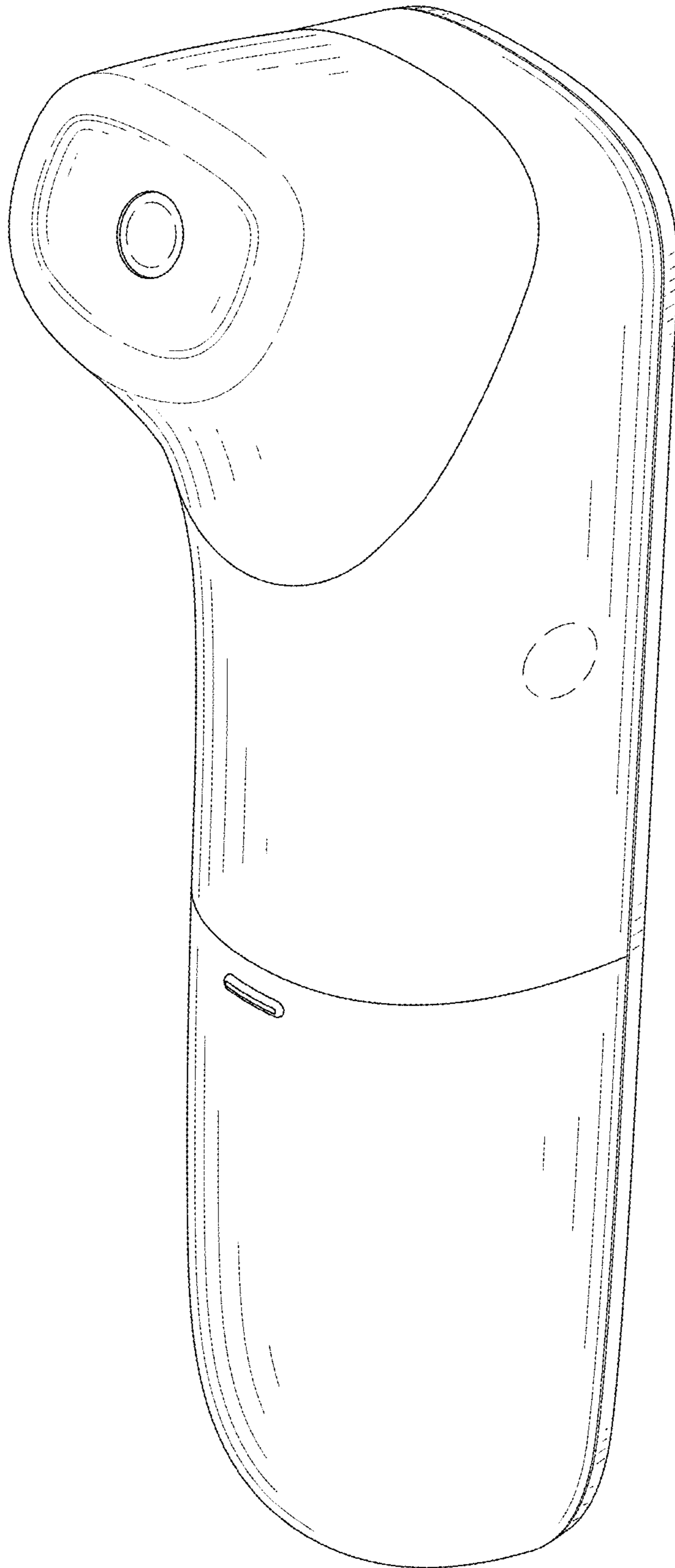


FIG. 1

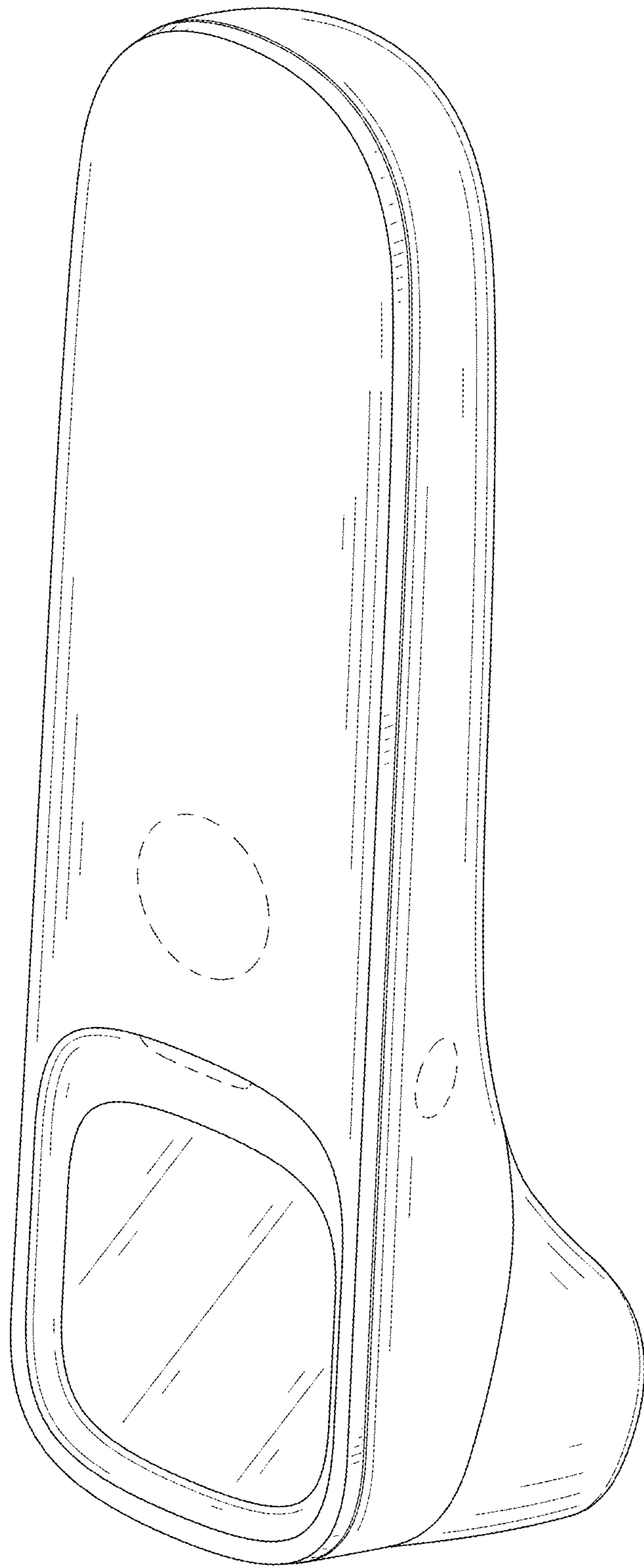


FIG. 2

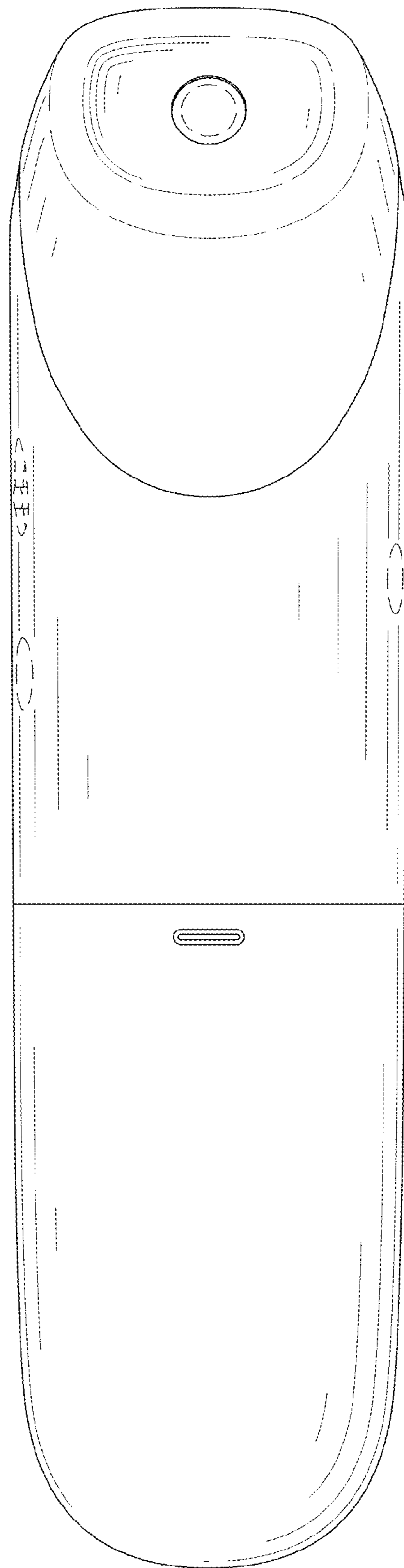


FIG. 3

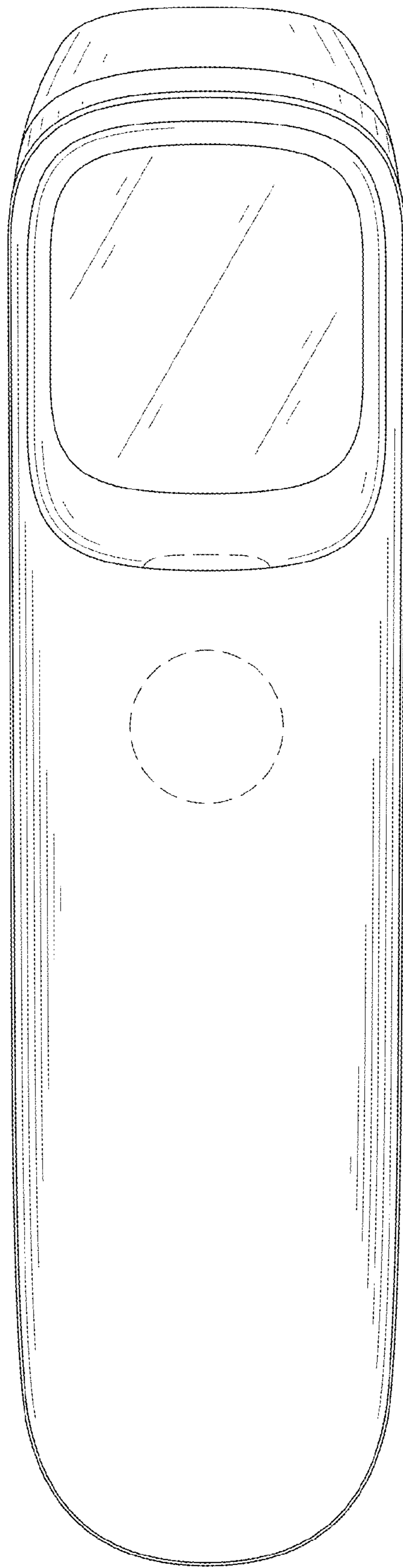


FIG. 4

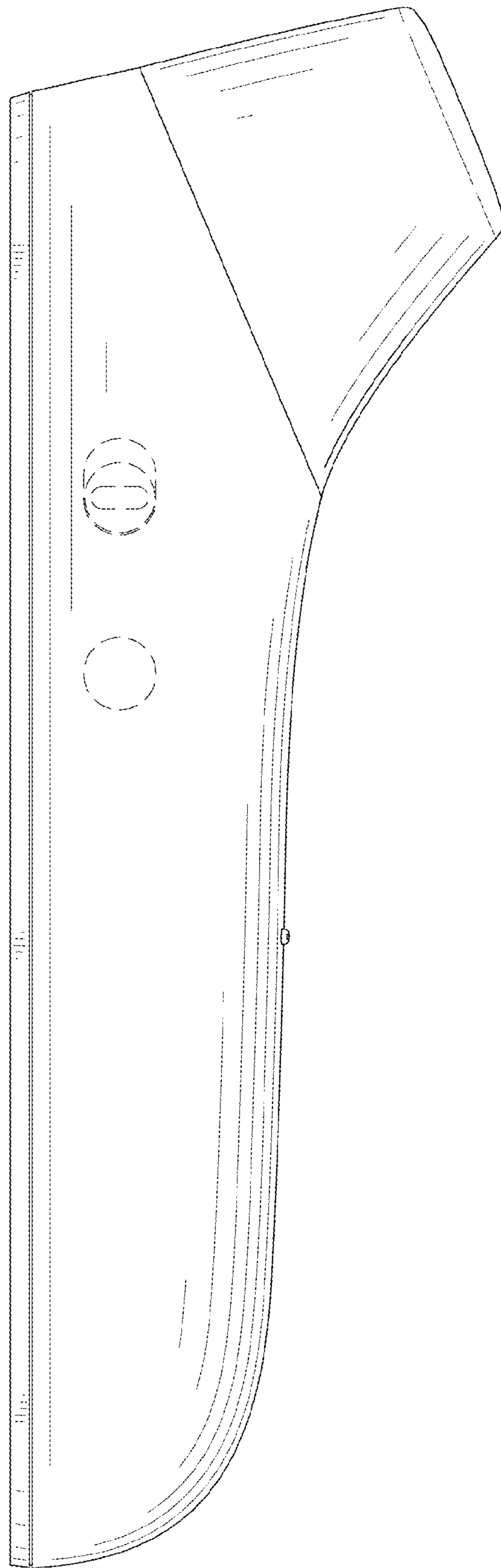


FIG. 5

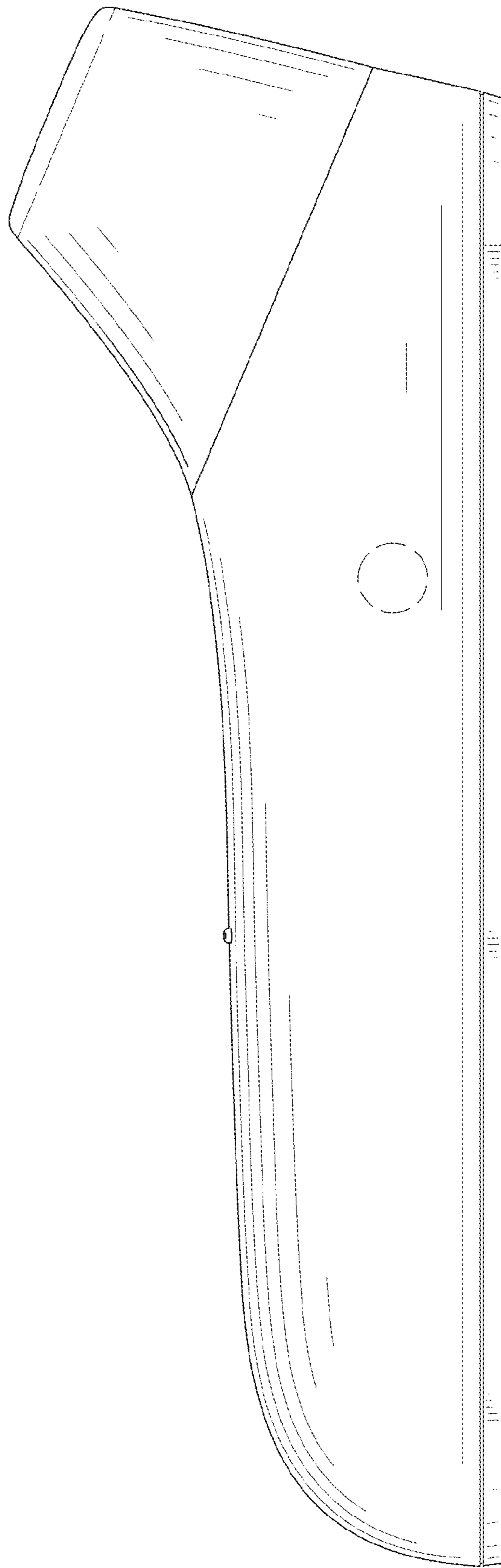


FIG. 6

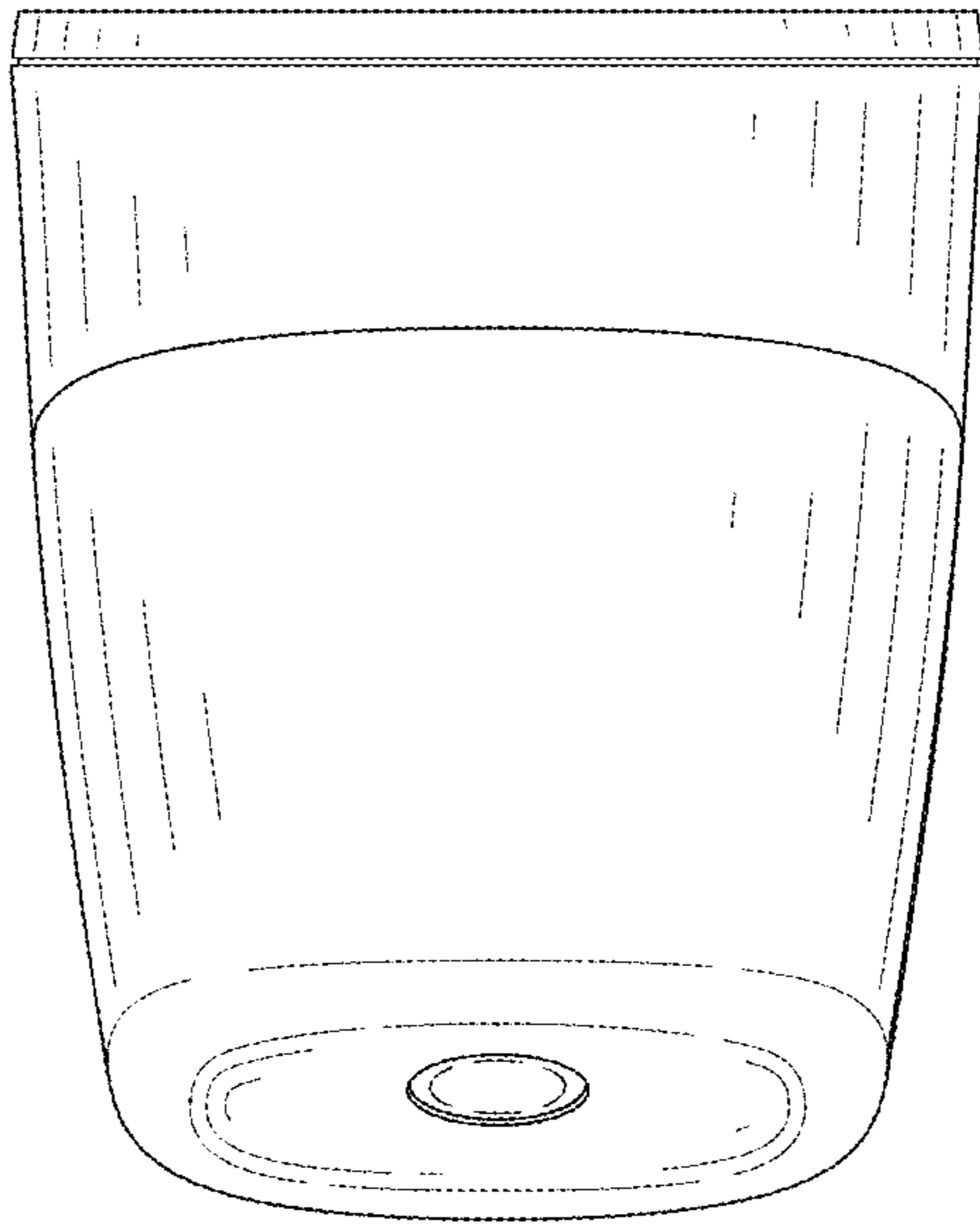


FIG. 7



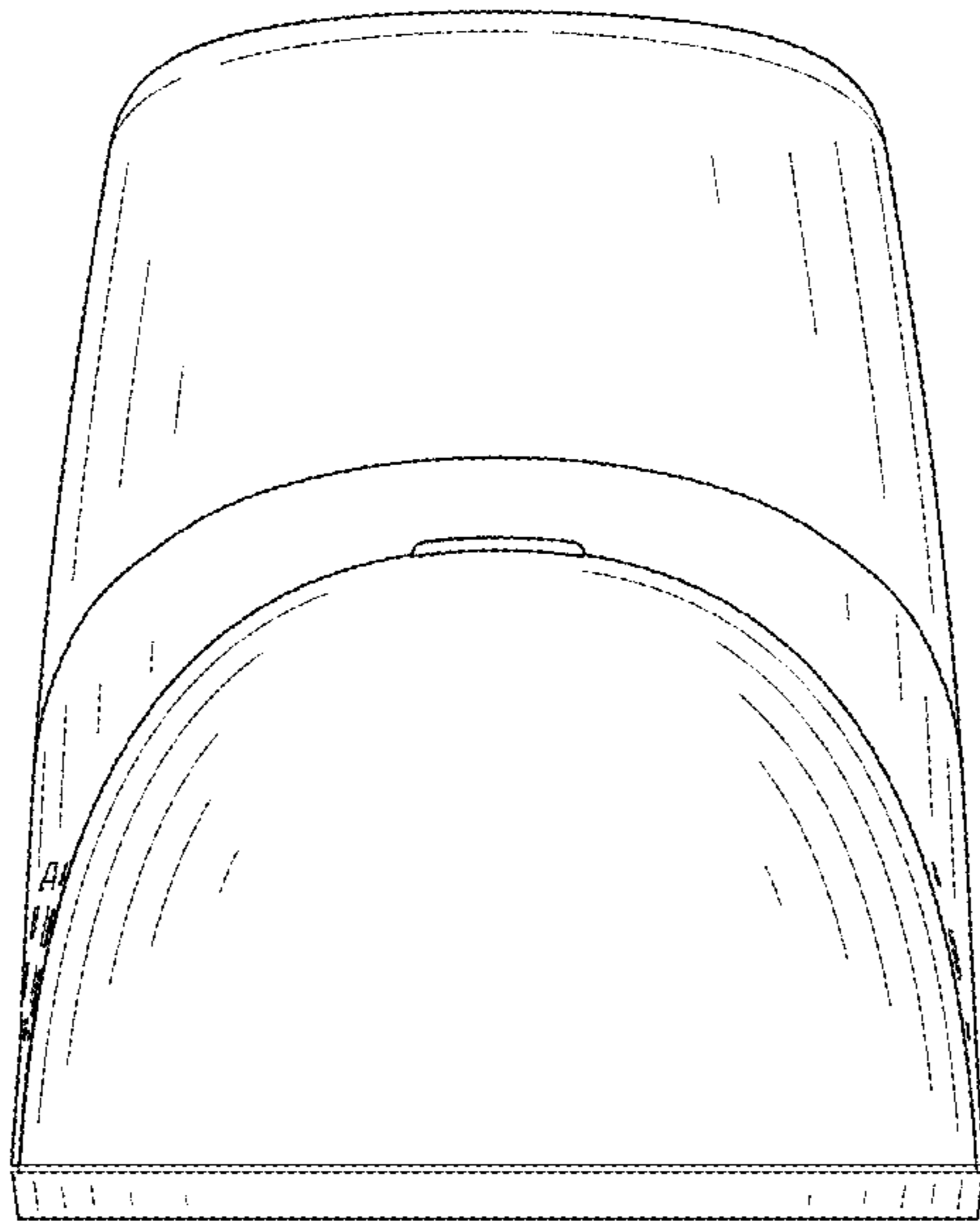


FIG. 8