



US00D873156S

(12) **United States Design Patent**  
**Hansson et al.**

(10) **Patent No.:** **US D873,156 S**  
(45) **Date of Patent:** **\*\* Jan. 21, 2020**

- (54) **COMPACT SENSOR CII**
- (71) Applicant: **Eltex of Sweden AB**, Osby (SE)
- (72) Inventors: **Jonas Hansson**, Osby (SE); **Daniel Sauret**, Barcelona (ES)
- (73) Assignee: **ELTEX OF SWEDEN AB**, Osby (SE)
- (\*\*) Term: **15 Years**
- (21) Appl. No.: **29/668,627**
- (22) Filed: **Oct. 31, 2018**
- (30) **Foreign Application Priority Data**

Jul. 4, 2018 (EM) ..... 005397502-0001  
 Jul. 4, 2018 (EM) ..... 005397502-0002

- (51) **LOC (12) Cl.** ..... **10-04**
- (52) **U.S. Cl.**  
USPC ..... **D10/46**
- (58) **Field of Classification Search**  
USPC ..... D10/46  
CPC ..... D05C 15/00; D05C 15/18  
See application file for complete search history.

(56) **References Cited**

**U.S. PATENT DOCUMENTS**

3,843,883 A \* 10/1974 De Vita ..... B65H 63/00  
250/233  
4,186,672 A \* 2/1980 Burton ..... D05B 51/00  
112/273

4,970,974 A \* 11/1990 Price ..... D05C 15/18  
112/273  
5,662,054 A \* 9/1997 Bardsley ..... D05C 15/18  
112/278  
8,413,597 B1 \* 4/2013 Samilo ..... D05C 15/20  
112/80.16  
D733,586 S \* 7/2015 Karlsson ..... D10/46

\* cited by examiner

*Primary Examiner* — Antoine Duval Davis

(74) *Attorney, Agent, or Firm* — McGinn IP Law Group, PLLC

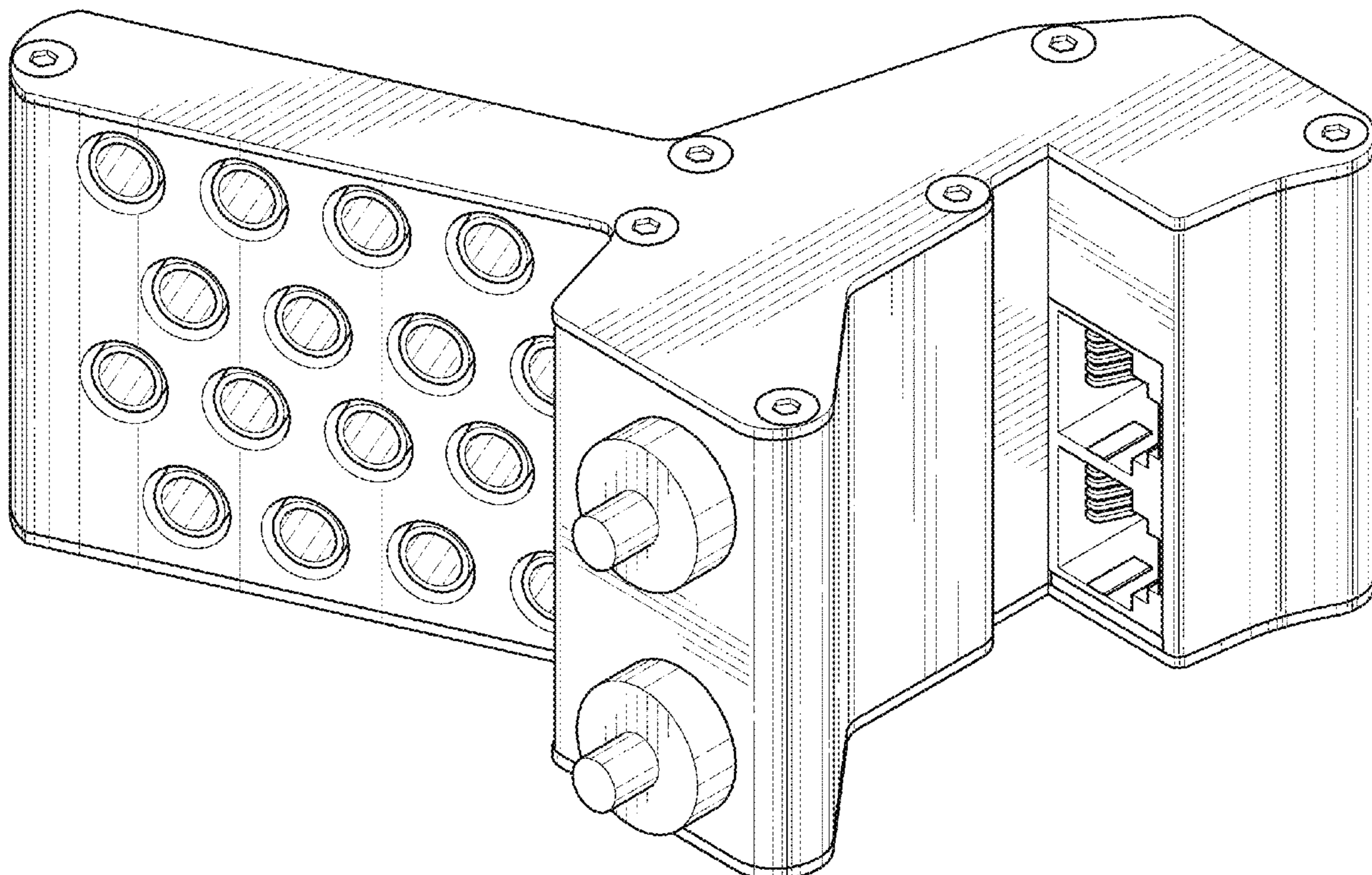
(57) **CLAIM**

The ornamental design for compact sensor CII, as shown and described.

**DESCRIPTION**

FIG. 1 is a perspective view of the compact sensor CII according to the present invention;  
 FIG. 2 is a right-side view of the compact sensor CII according to the present invention;  
 FIG. 3 is a left-side view of the compact sensor CII according to the present invention;  
 FIG. 4 is another side view of the compact sensor CII according to the present invention;  
 FIG. 5 is yet another side view of the compact sensor CII according to the present invention;  
 FIG. 6 is a top view of the compact sensor CII according to the present invention; and,  
 FIG. 7 is a bottom view of the compact sensor CII according to the present invention.

**1 Claim, 7 Drawing Sheets**



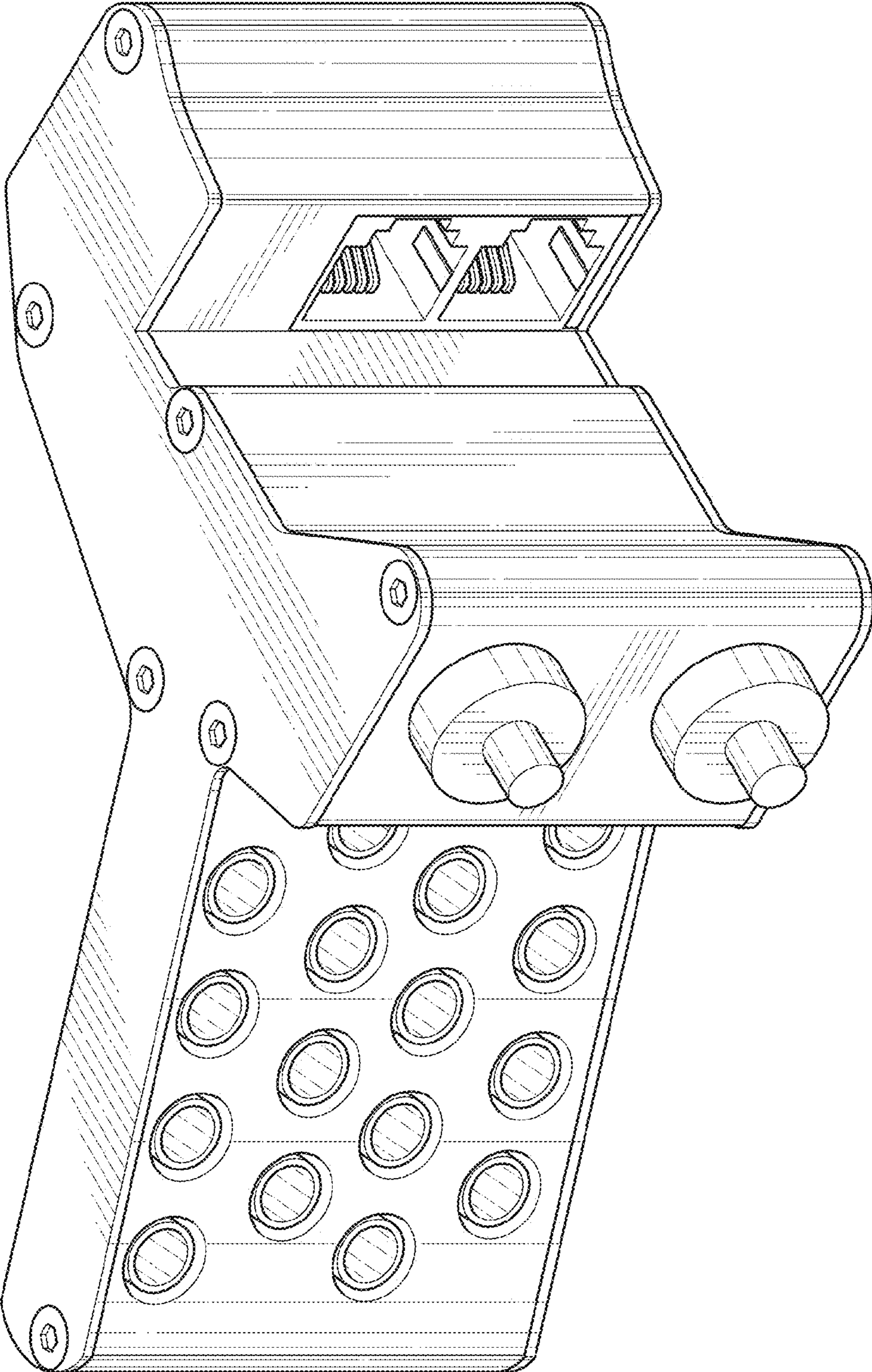


FIG. 1

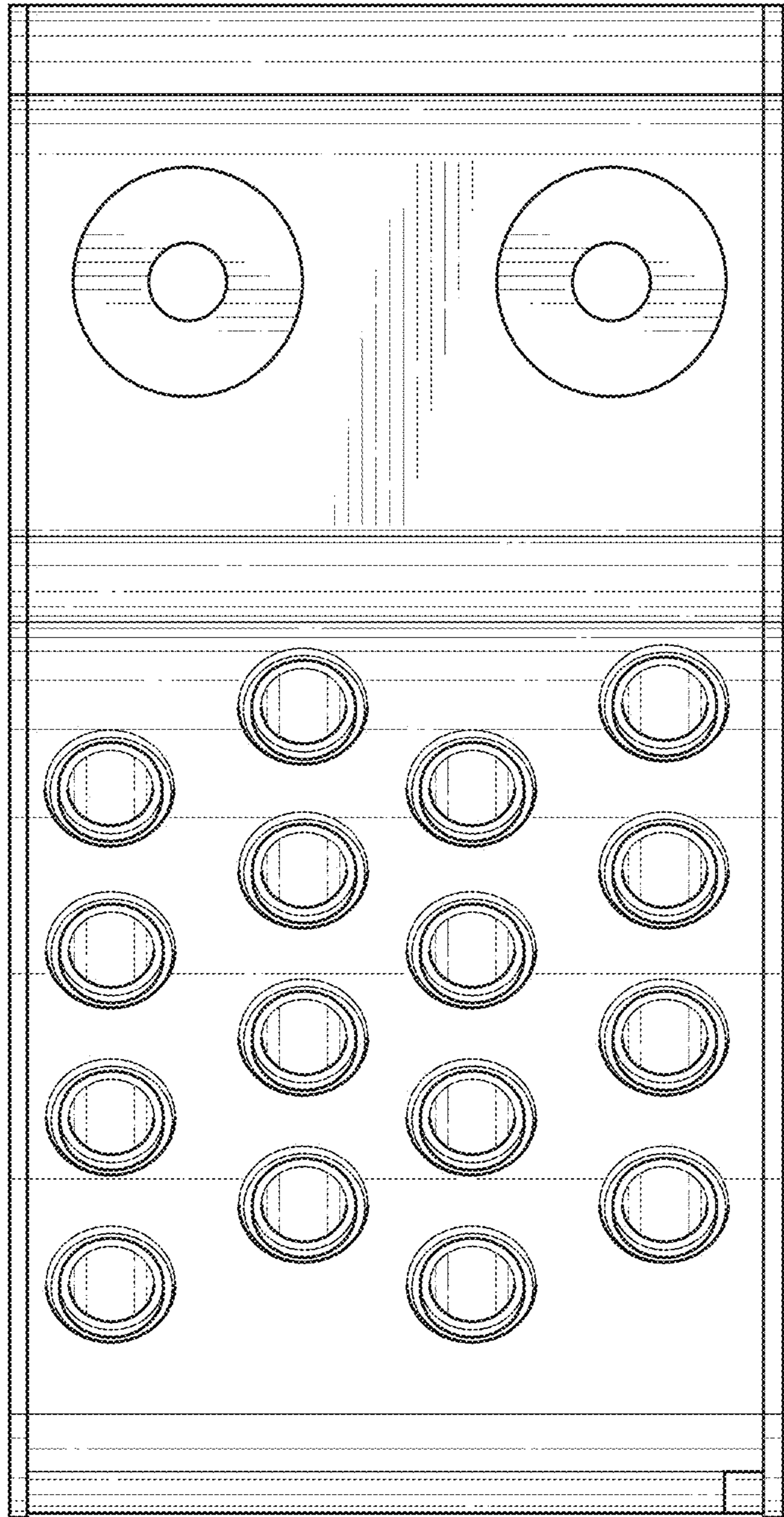


FIG. 2

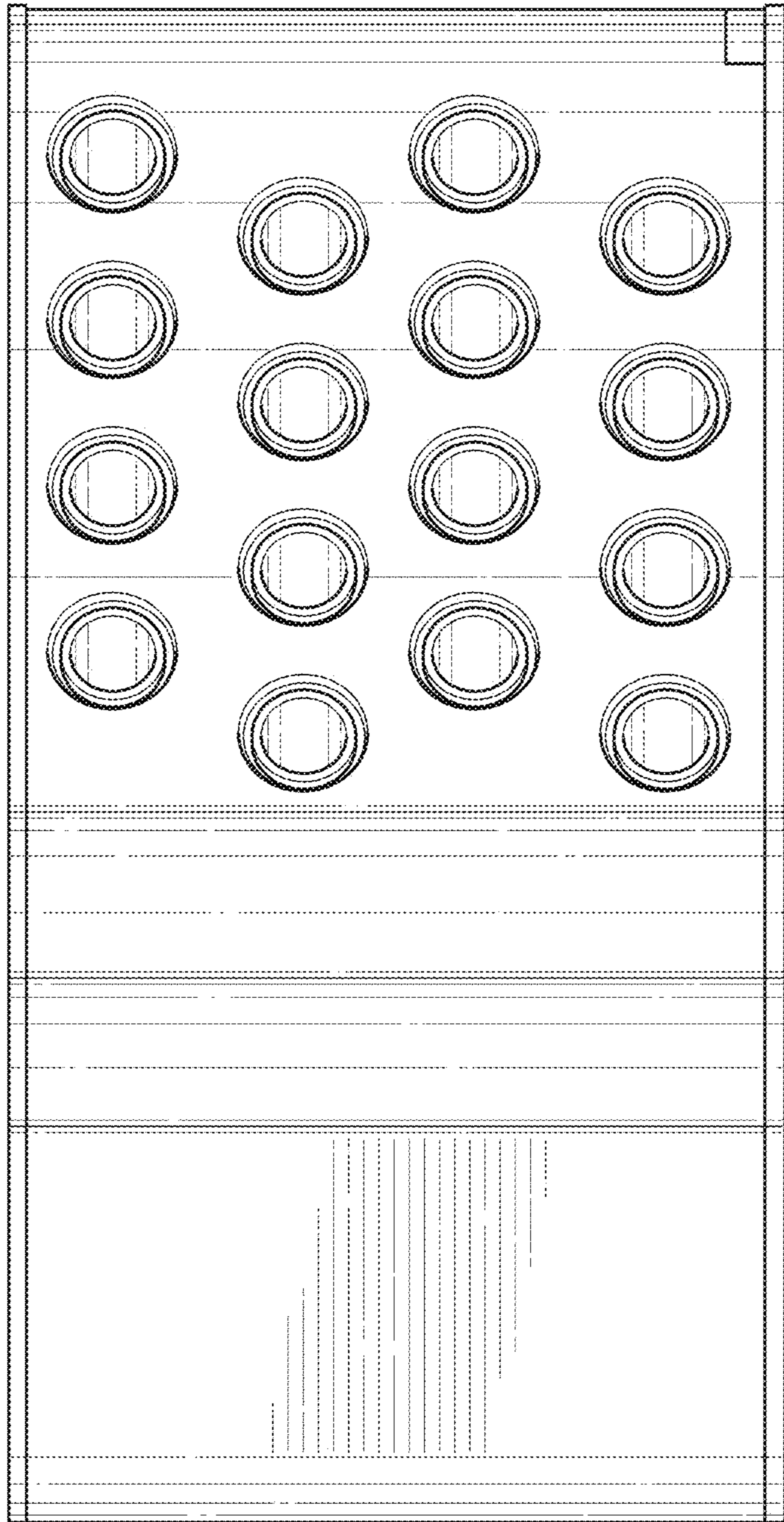


FIG. 3

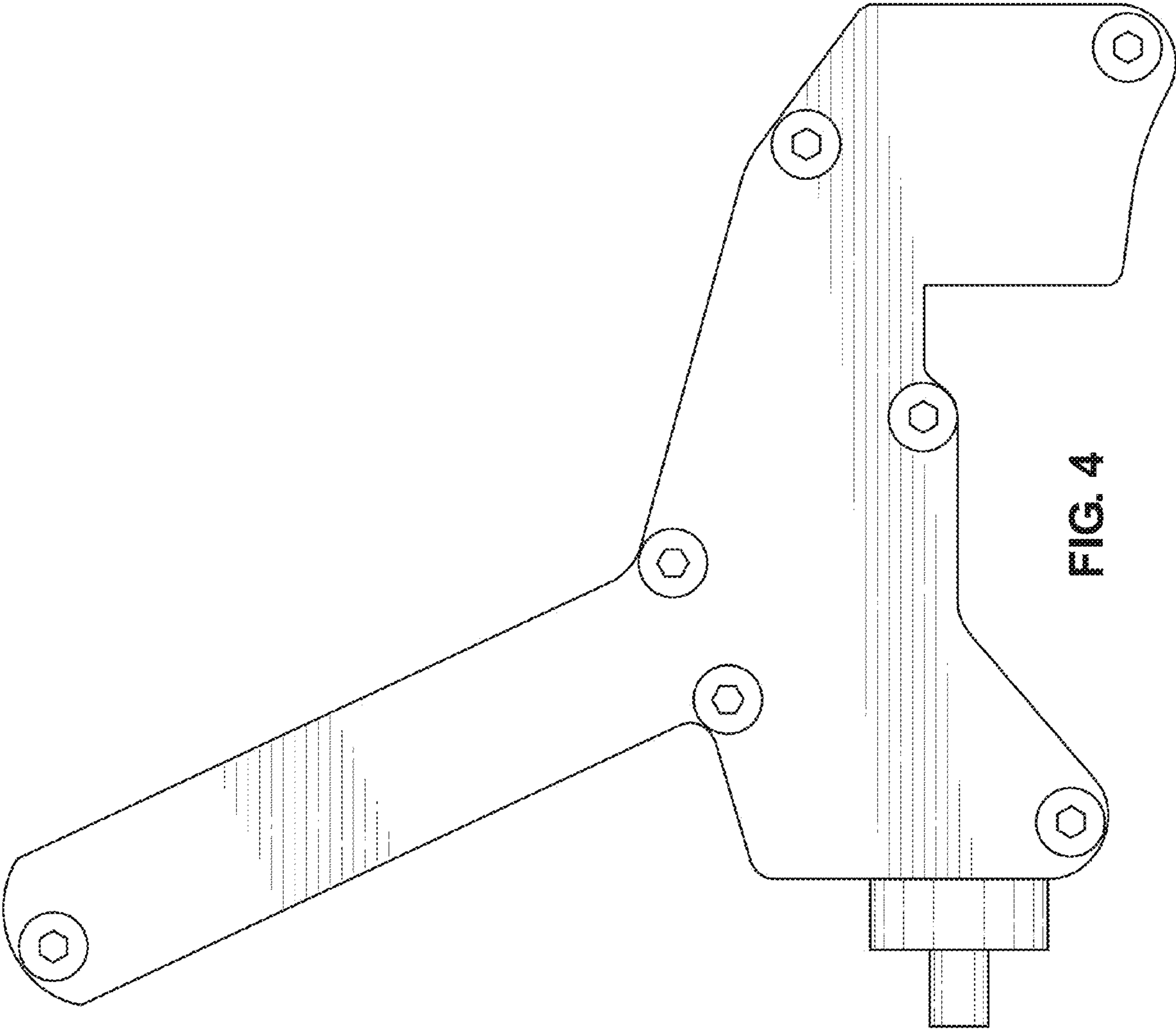


FIG. 4

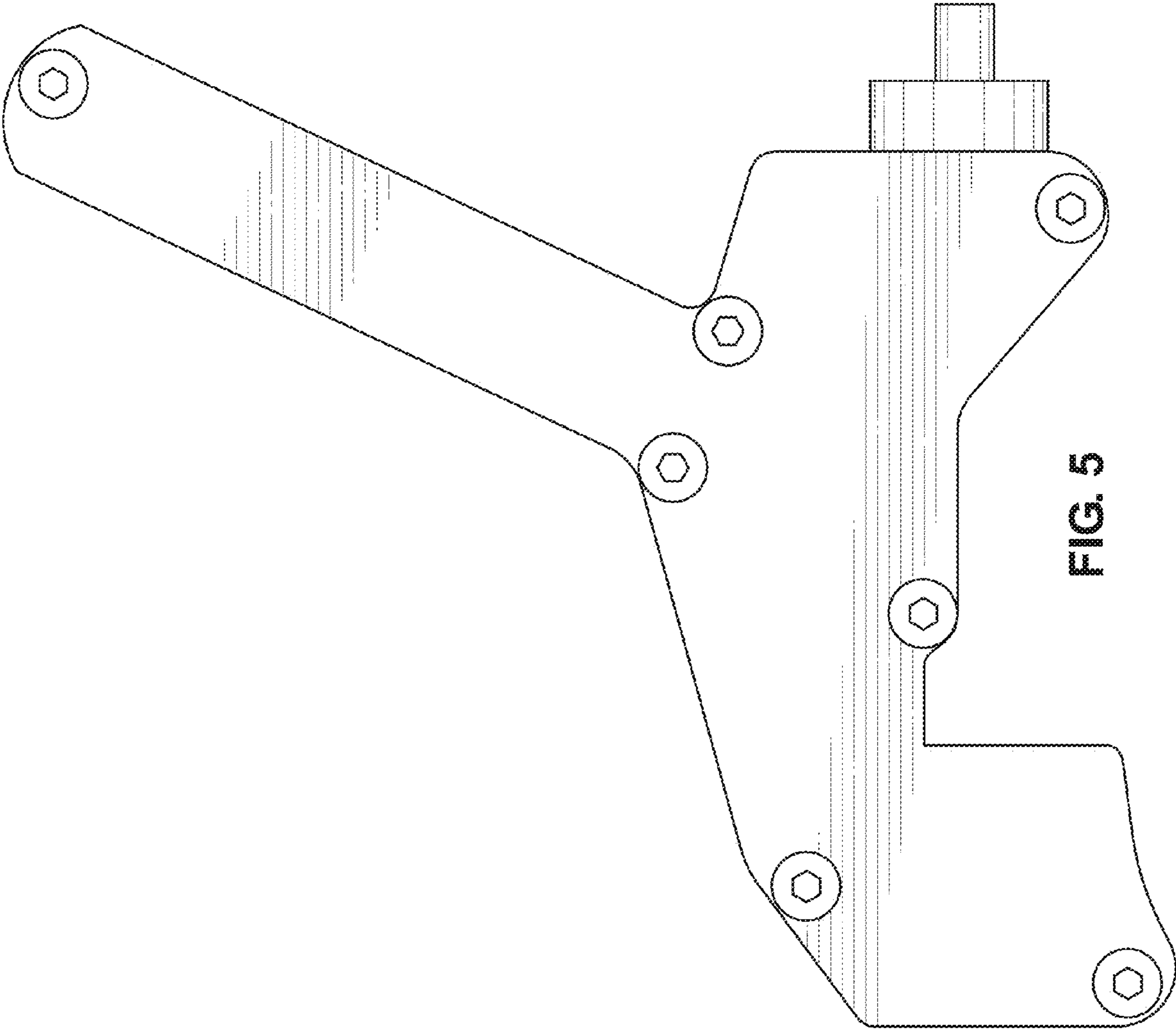


FIG. 5

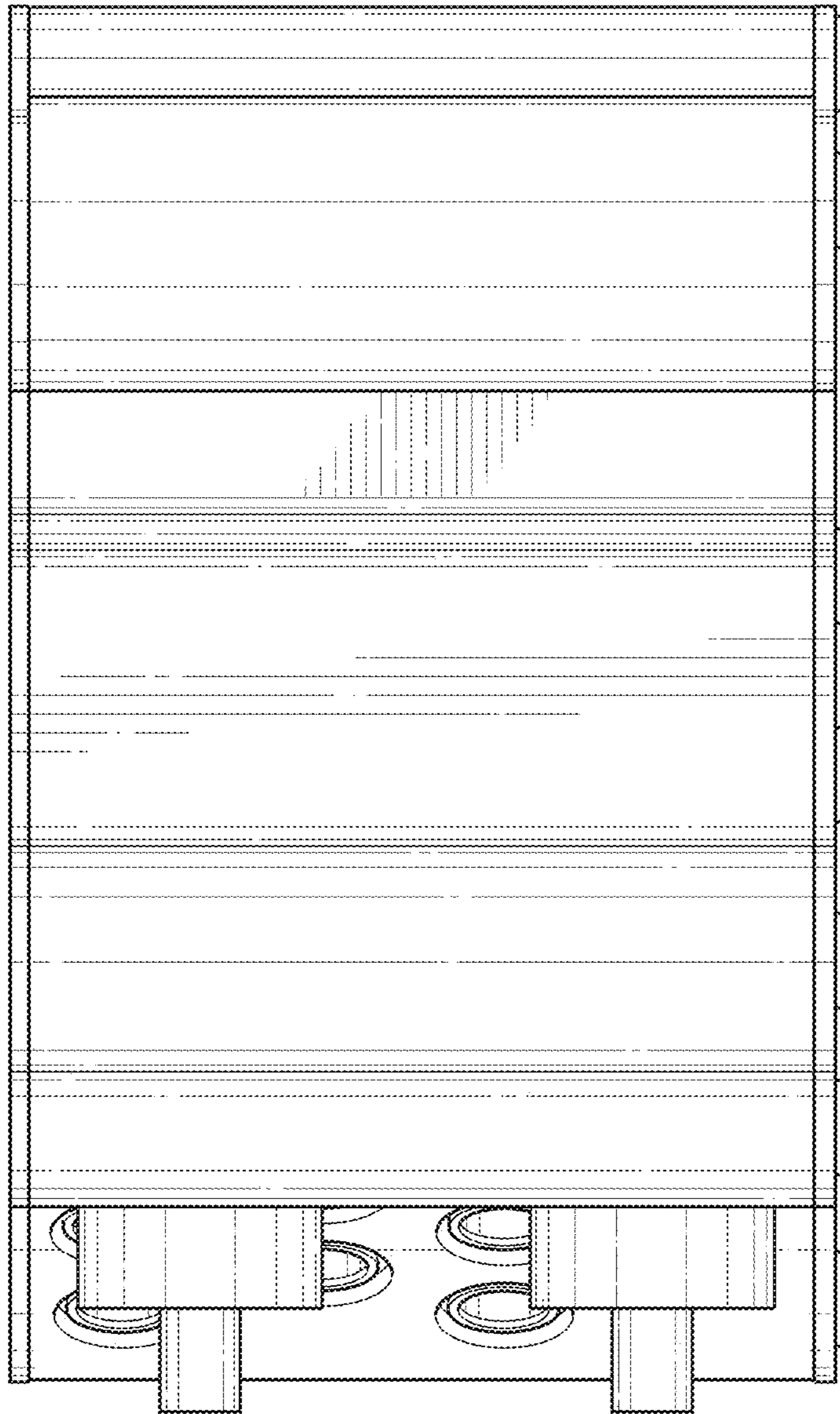


FIG. 6

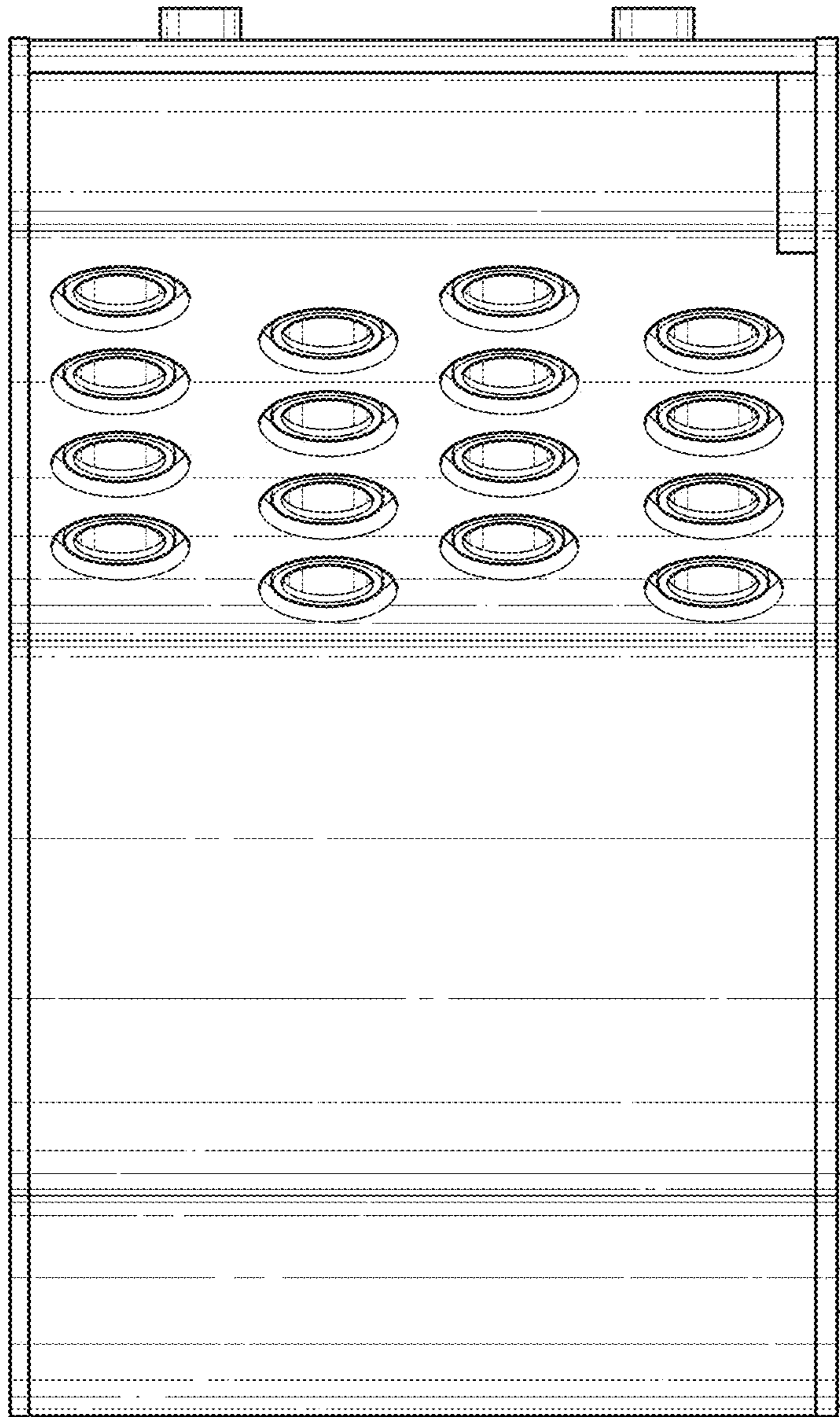


FIG. 7