



US00D873155S

(12) **United States Design Patent** (10) **Patent No.:** **US D873,155 S**
Gimenez (45) **Date of Patent:** **** Jan. 21, 2020**

(54) **WATCH**

(71) Applicant: **Cartier International AG**, Steinhausen (CH)

(72) Inventor: **Nicole Gimenez**, Mont-sur-Rolle (CH)

(73) Assignee: **Cartier International AG**, Steinhausen (CH)

(**) Term: **15 Years**

(21) Appl. No.: **29/648,691**

(22) Filed: **May 23, 2018**

(30) **Foreign Application Priority Data**

Nov. 24, 2017 (WO) DM/098697

(51) **LOC (12) Cl.** **10-02**

(52) **U.S. Cl.**
USPC **D10/39**

(58) **Field of Classification Search**

USPC D10/1-2, 6, 14-15, 30-39, 40-41, 98,
D10/102, 121-126, 128-129; D11/3-5,
D11/12, 18-19, 23, 93

CPC .. A44C 5/02; G04B 17/28-285; G04B 19/00;
G04B 19/048; G04B 19/06; G04B
19/065; G04B 19/08; G04B 19/085;
G04B 19/087; G04B 19/10; G04B
19/103; G04B 19/106; G04B 19/12;
G04B 19/16; G04B 19/22; G04B 19/223;
G04B 19/24; G04B 19/243; G04B 29/00;
G04B 37/00; G04B 37/008; G04B
37/0058; G04B 37/12; G04B 37/14;
G04B 37/1486; G04B 45/0069; G04B
45/0076; G04B 47/00; G04B 47/048

See application file for complete search history.

(56) **References Cited**

U.S. PATENT DOCUMENTS

D267,549 S * 1/1983 Kanoui D10/39
D288,066 S * 2/1987 Kanoui D10/32

D370,854 S * 6/1996 Chodat D10/30
D422,514 S * 4/2000 Diltoer D10/128
D439,172 S * 3/2001 Brzezinski D10/30
D474,700 S * 5/2003 Court D10/39
D491,472 S * 6/2004 Peraldi D10/30
D493,727 S * 8/2004 Lalo D10/30
D505,628 S * 5/2005 Scheufele D10/39

(Continued)

OTHER PUBLICATIONS

SIHH 2018 Cartier—The New Santos I posted at timeandwatches.com Jan. 2018 [online]. © 2019 Time and Watches [retrieved Mar. 12, 2019] from Internet: <<https://www.timeandwatches.com/2018/01/sihh-2018-cartier-new-santos.html>> (Year: 2018).*

(Continued)

Primary Examiner — Sandra S Snapp

Assistant Examiner — Katherine Glennon

(74) *Attorney, Agent, or Firm* — Taft Stettinius & Hollister LLP

(57)

CLAIM

The ornamental design for a watch, as shown and described.

DESCRIPTION

FIG. 1 is a front elevational view of a watch showing my new design;

FIG. 2 is a back elevational view thereof;

FIG. 3 is a top plan view thereof;

FIG. 4 is a bottom plan view thereof;

FIG. 5 is a right side elevational view thereof;

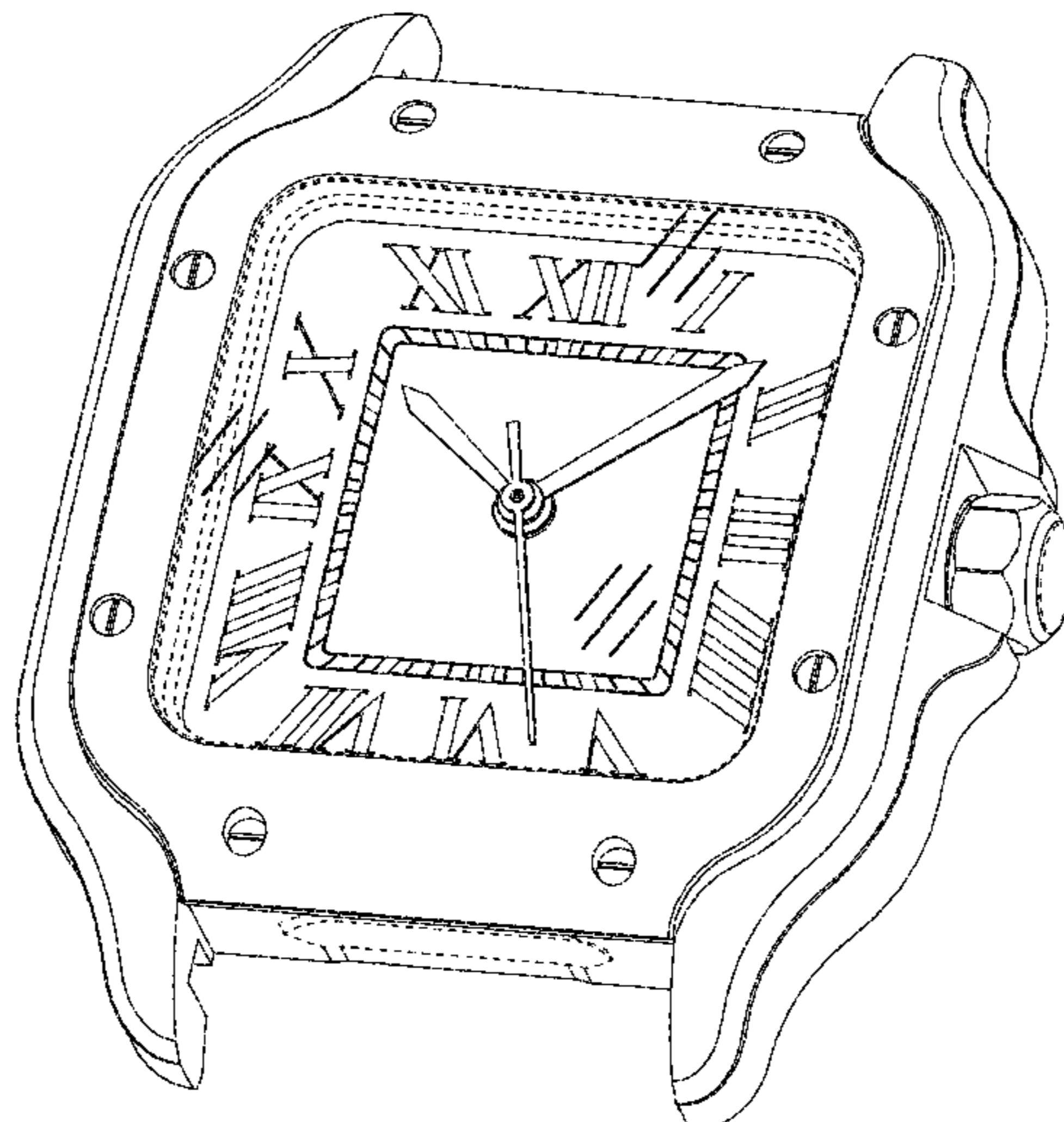
FIG. 6 is a left side elevational view thereof;

FIG. 7 is a front, right side perspective view thereof; and,

FIG. 8 is a back, left side perspective view thereof.

The broken lines in the drawing figures depict unclaimed subject matter that forms no part of the claimed design.

1 Claim, 8 Drawing Sheets



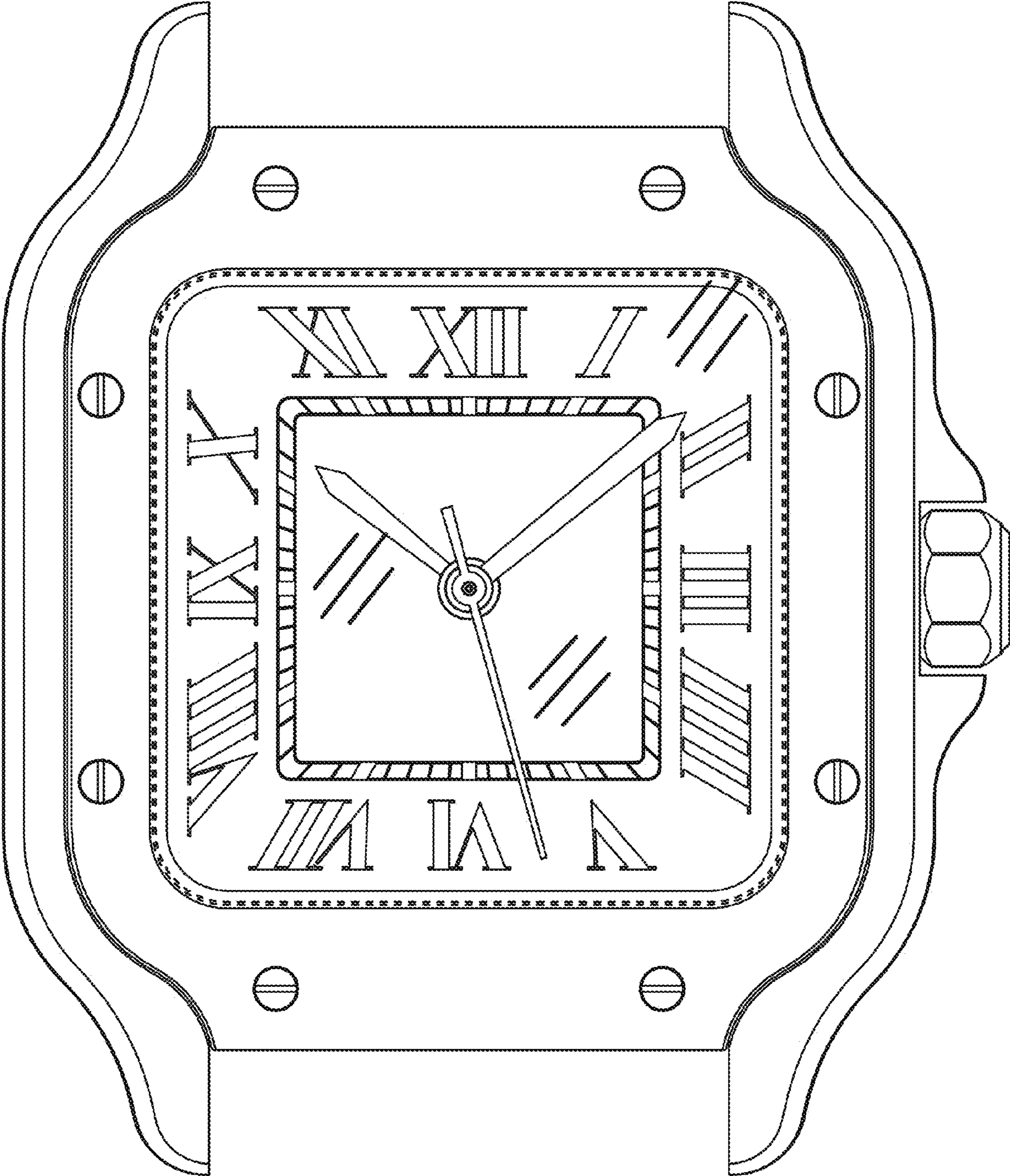


Fig. 1

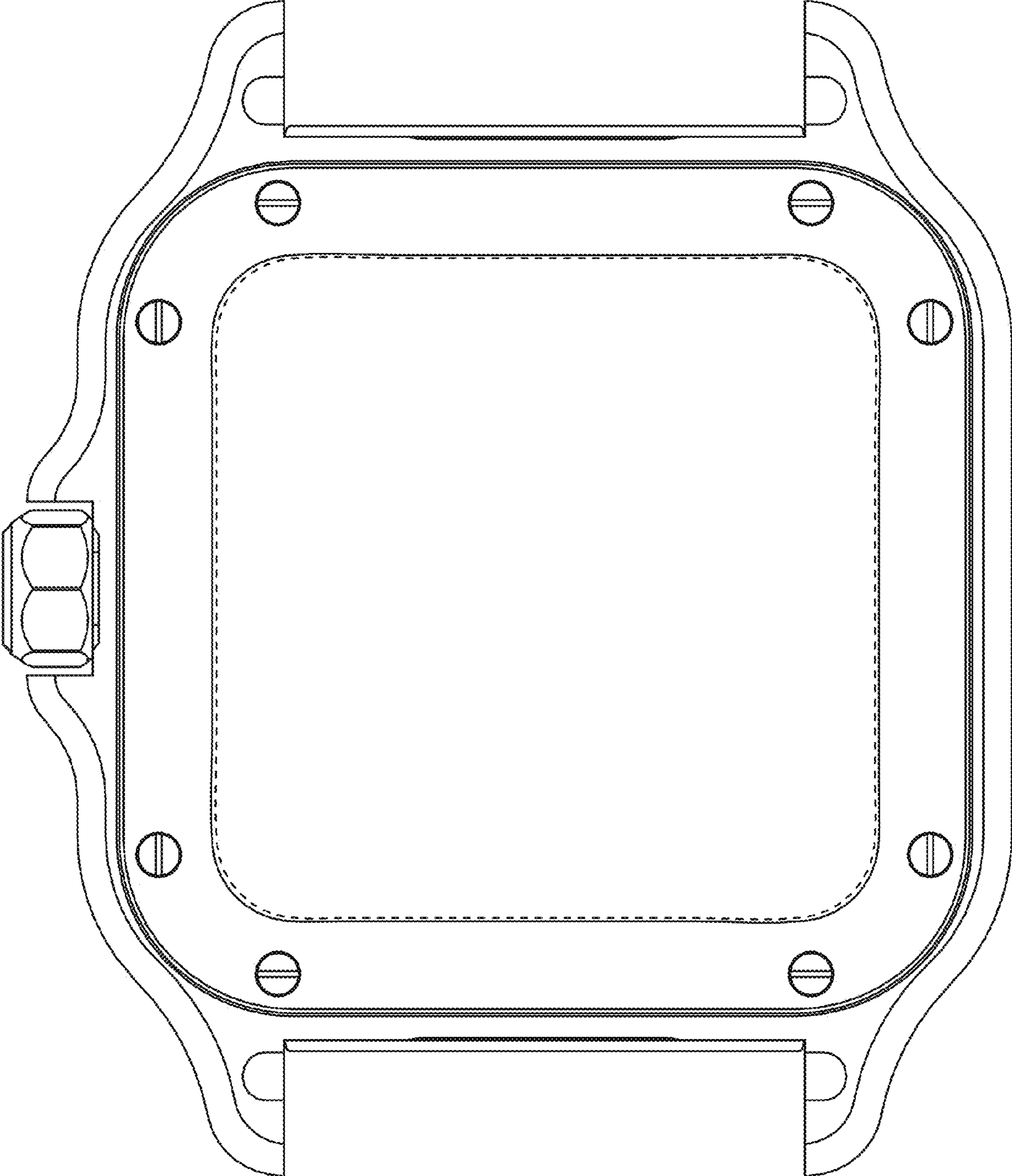


Fig. 2

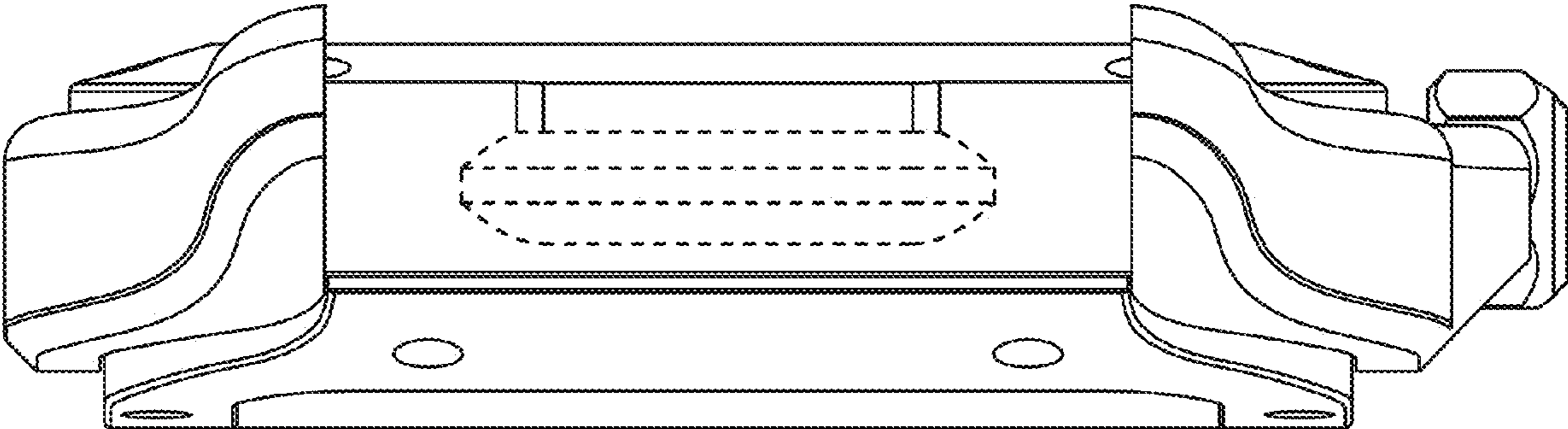


Fig. 3

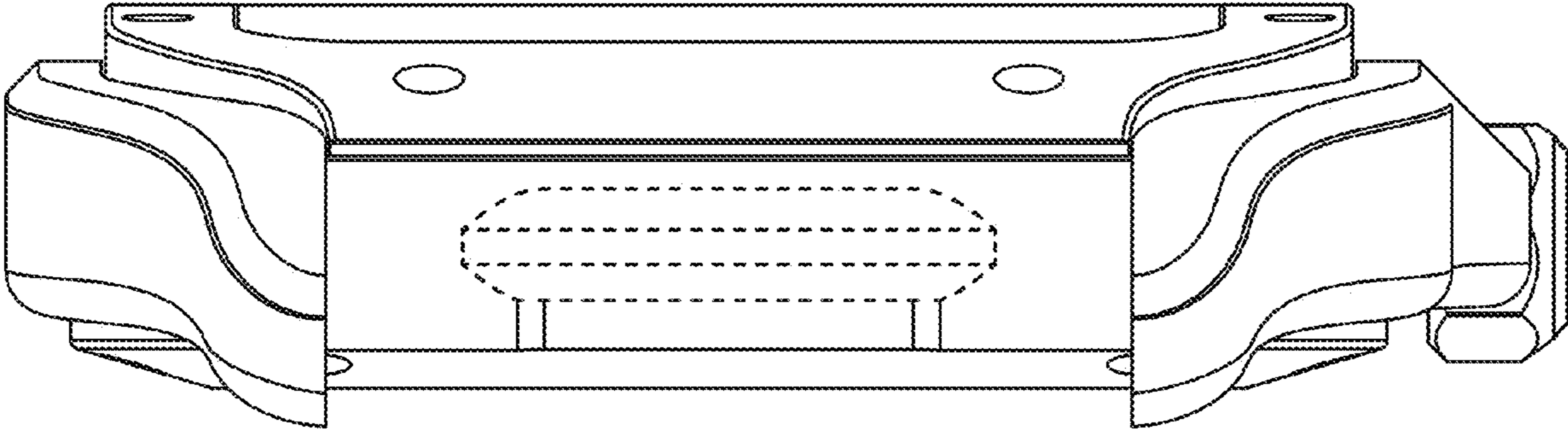


Fig. 4

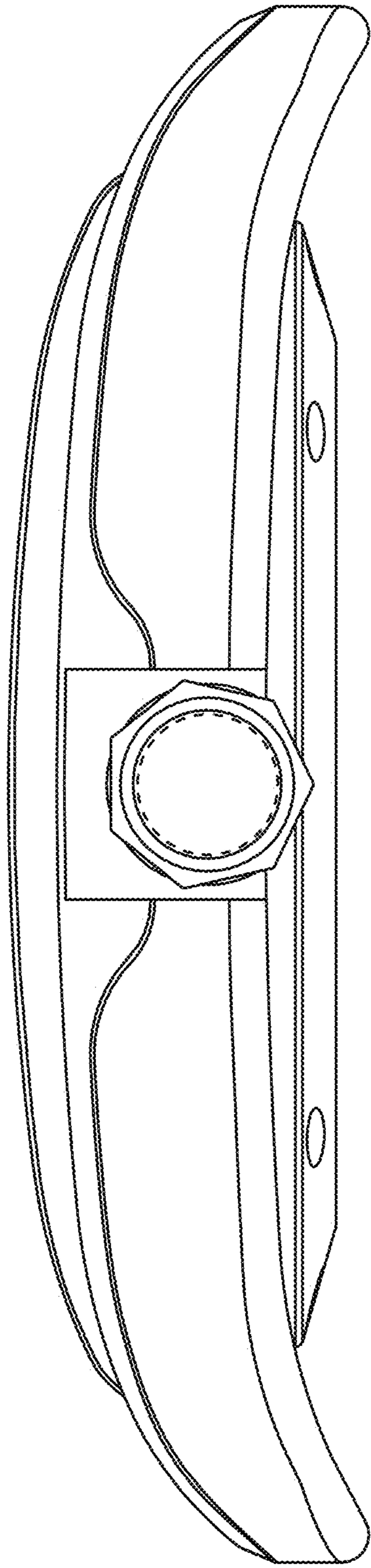


Fig. 5

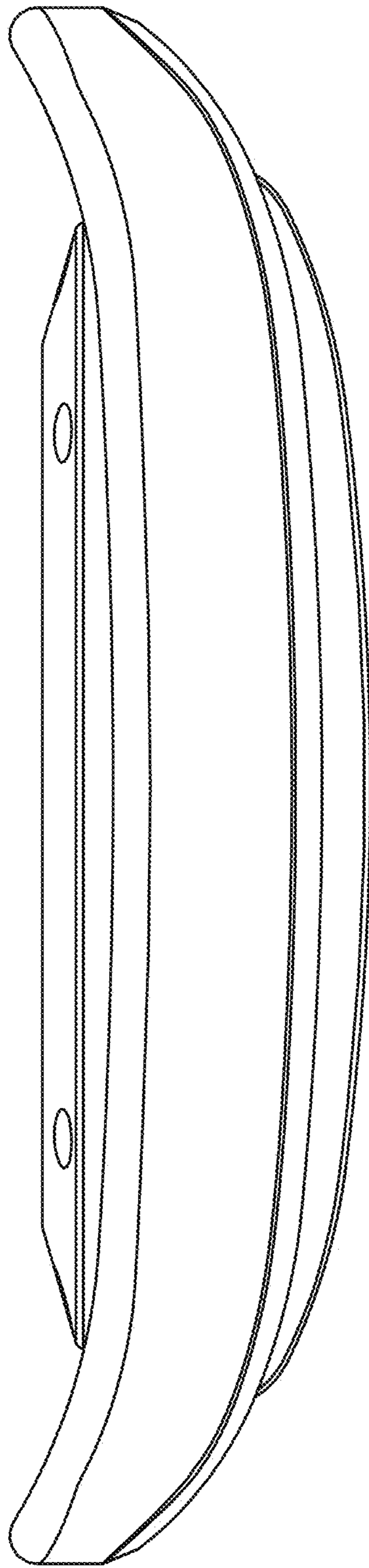


Fig. 6

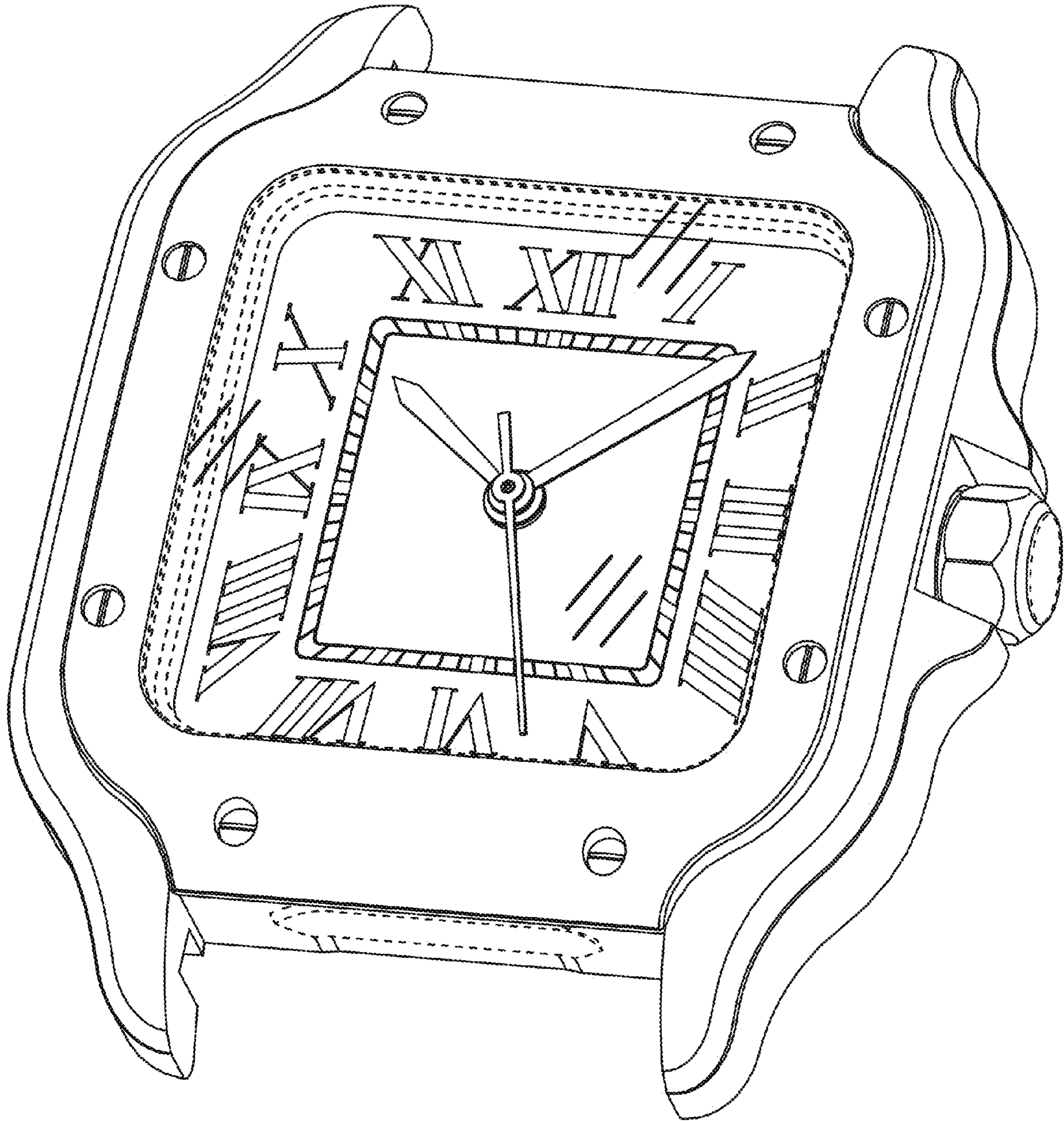


Fig. 7

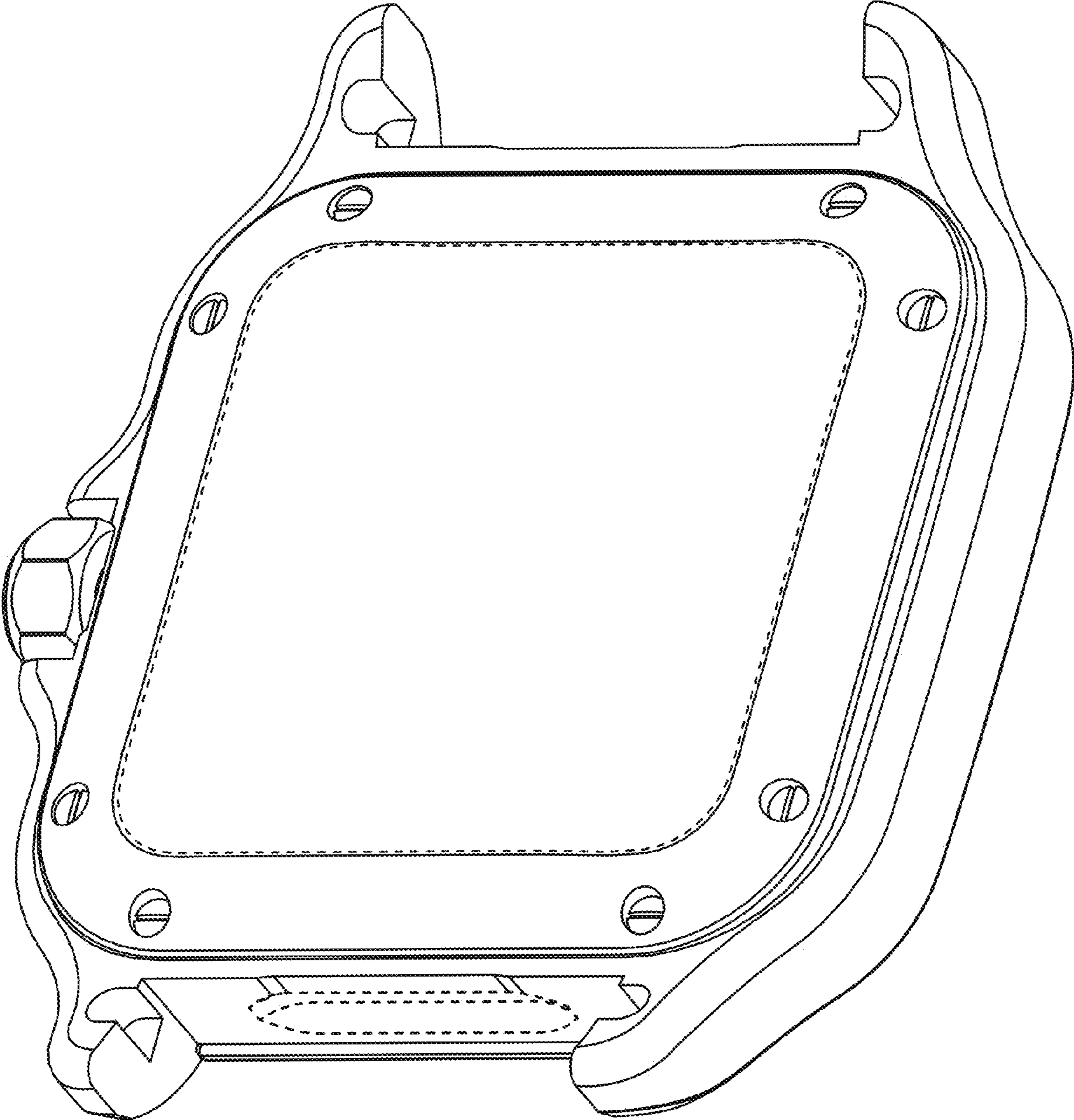


Fig. 8