



US00D873153S

(12) **United States Design Patent**  
**Hu**

(10) **Patent No.:** **US D873,153 S**  
(45) **Date of Patent:** **\*\* Jan. 21, 2020**

- (54) **ALARM CLOCK**
- (71) Applicants: **SHENZHEN QIANHAI PATUOXUN NETWORK AND TECHNOLOGY CO., LTD**, Shenzhen (CN); **Shenzhen Yuanguanghao Electronics Co., Ltd**, ShenZhen (CN)
- (72) Inventor: **Zaihui Hu**, Shenzhen (CN)
- (73) Assignees: **SHENZHEN QIANHAI PATUOXUN NETWORK AND TECHNOLOGY CO., LTD**, Shenzhen (CN); **Shenzhen Yuanguanghao Electronics Co., Ltd**, ShenZhen (CN)

D552,075 S	*	10/2007	Zeitman	.....	D10/2
D605,625 S	*	12/2009	Skurdal	.....	D14/171
D619,116 S	*	7/2010	Skurdal	.....	D10/2
D622,259 S	*	8/2010	Joseph	.....	D10/2
D658,151 S	*	4/2012	Joseph	.....	D14/171
D676,412 S	*	2/2013	Holzer	.....	D14/171
D690,286 S	*	9/2013	Petersen	.....	D14/209.1
D704,076 S	*	5/2014	Poandl	.....	D10/2
D709,855 S	*	7/2014	Jonas	.....	D13/107
D773,429 S	*	12/2016	Holzer	.....	D14/171
D813,188 S	*	3/2018	Holzer	.....	D14/171
D815,057 S	*	4/2018	Holzer	.....	D14/171
D833,416 S	*	11/2018	Hu	.....	D14/204

(\*\*) Term: **15 Years**

(21) Appl. No.: **29/693,723**

(22) Filed: **Jun. 4, 2019**

(51) **LOC (12) Cl.** ..... **10-02**

(52) **U.S. Cl.**  
USPC ..... **D10/15; D14/171**

(58) **Field of Classification Search**  
USPC ..... D10/1-2, 4-5, 14-15, 24, 122-123, 126, D10/128; D14/170-171  
CPC ..... G04B 19/12; G04B 13/02; G04B 13/028; G04B 47/00  
See application file for complete search history.

(56) **References Cited**

**U.S. PATENT DOCUMENTS**

D236,445 S	*	8/1975	Danz	.....	D10/121
D249,148 S	*	8/1978	Miyamoto	.....	D10/15
D250,175 S	*	11/1978	Sklaroff	.....	D10/15
D432,517 S	*	10/2000	Zeitman	.....	D14/171
D464,036 S	*	10/2002	Matsuoka	.....	D14/171
D525,536 S	*	7/2006	Chan	.....	D10/2
D531,057 S	*	10/2006	Bhavnani	.....	D10/1

**FOREIGN PATENT DOCUMENTS**

EM	002016584-0002	4/2012
EM	002352906-0001	12/2013

\* cited by examiner

*Primary Examiner* — Sandra S Snapp

*Assistant Examiner* — Katherine Glennon

(74) *Attorney, Agent, or Firm* — JCIP Global Inc.

(57) **CLAIM**

The ornamental design for an alarm clock, as shown and described.

**DESCRIPTION**

FIG. 1 is a perspective view of an alarm clock showing my new design;

FIG. 2 is a front view thereof;

FIG. 3 is a rear view thereof;

FIG. 4 is a left side view thereof;

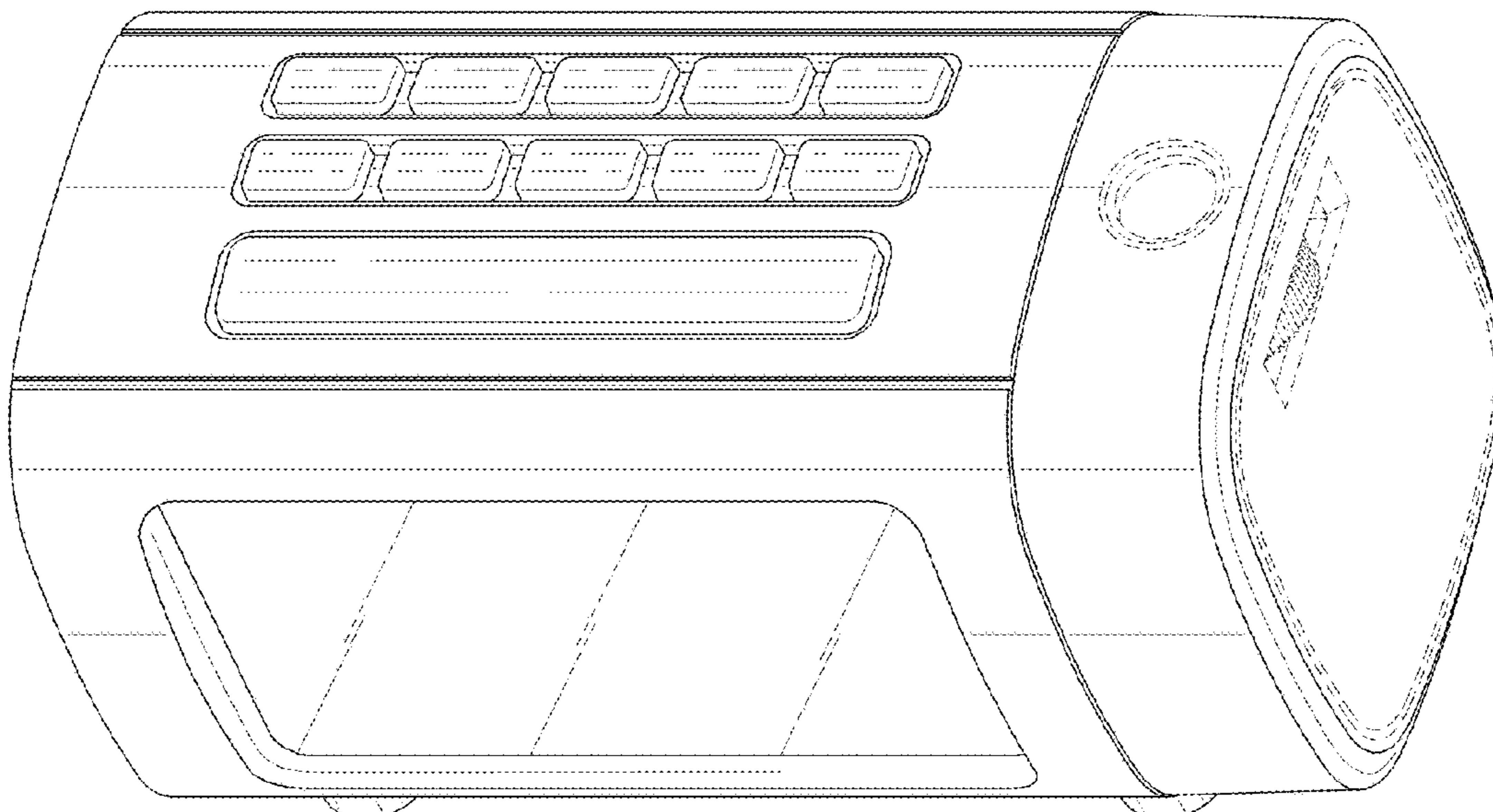
FIG. 5 is a right side view thereof;

FIG. 6 is a top view thereof; and,

FIG. 7 is a bottom view thereof.

The broken lines shown in the views are for the purpose of illustrating unclaimed subject matter only and form no part of the claimed design.

**1 Claim, 7 Drawing Sheets**



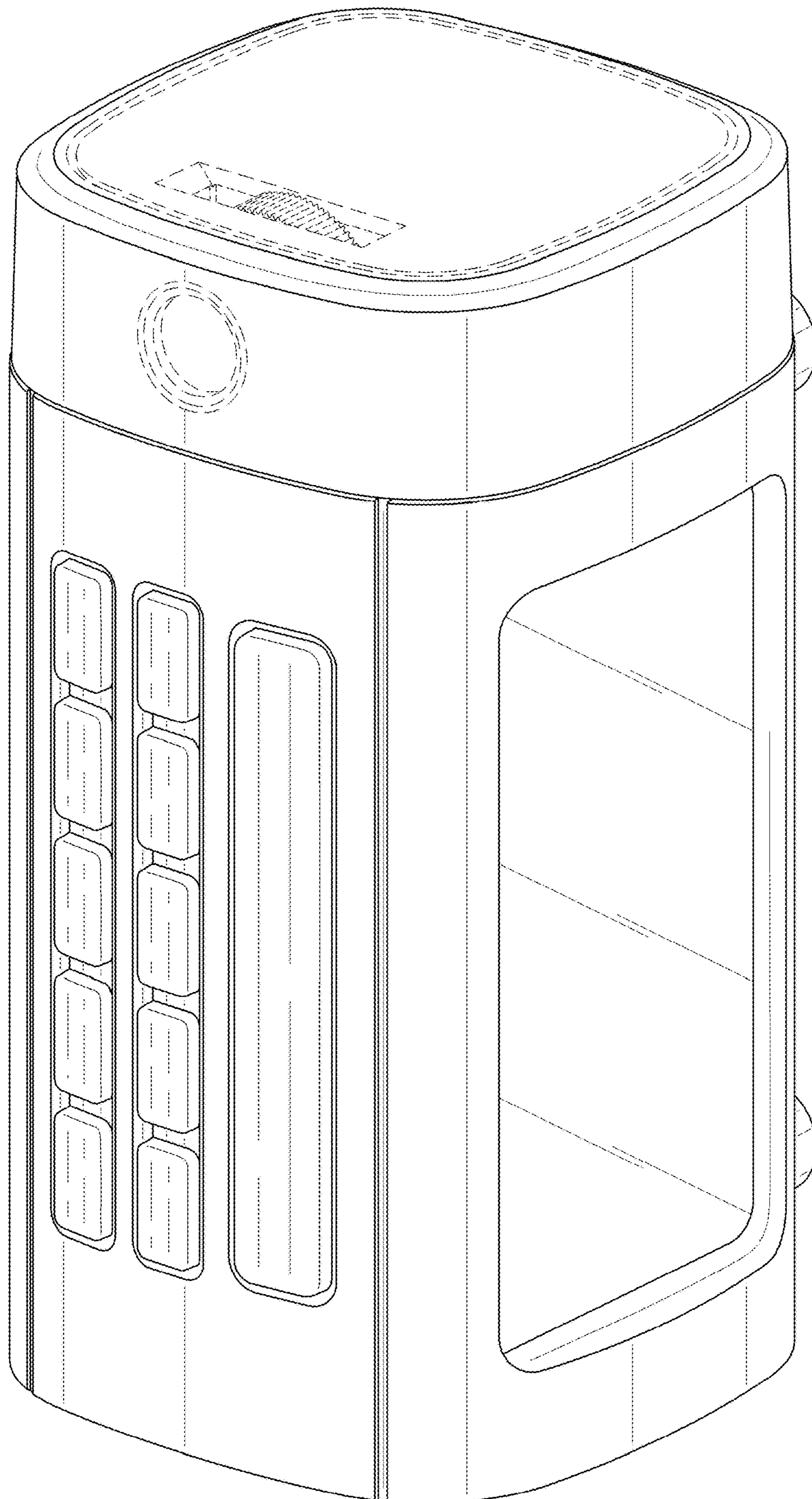


FIG. 1

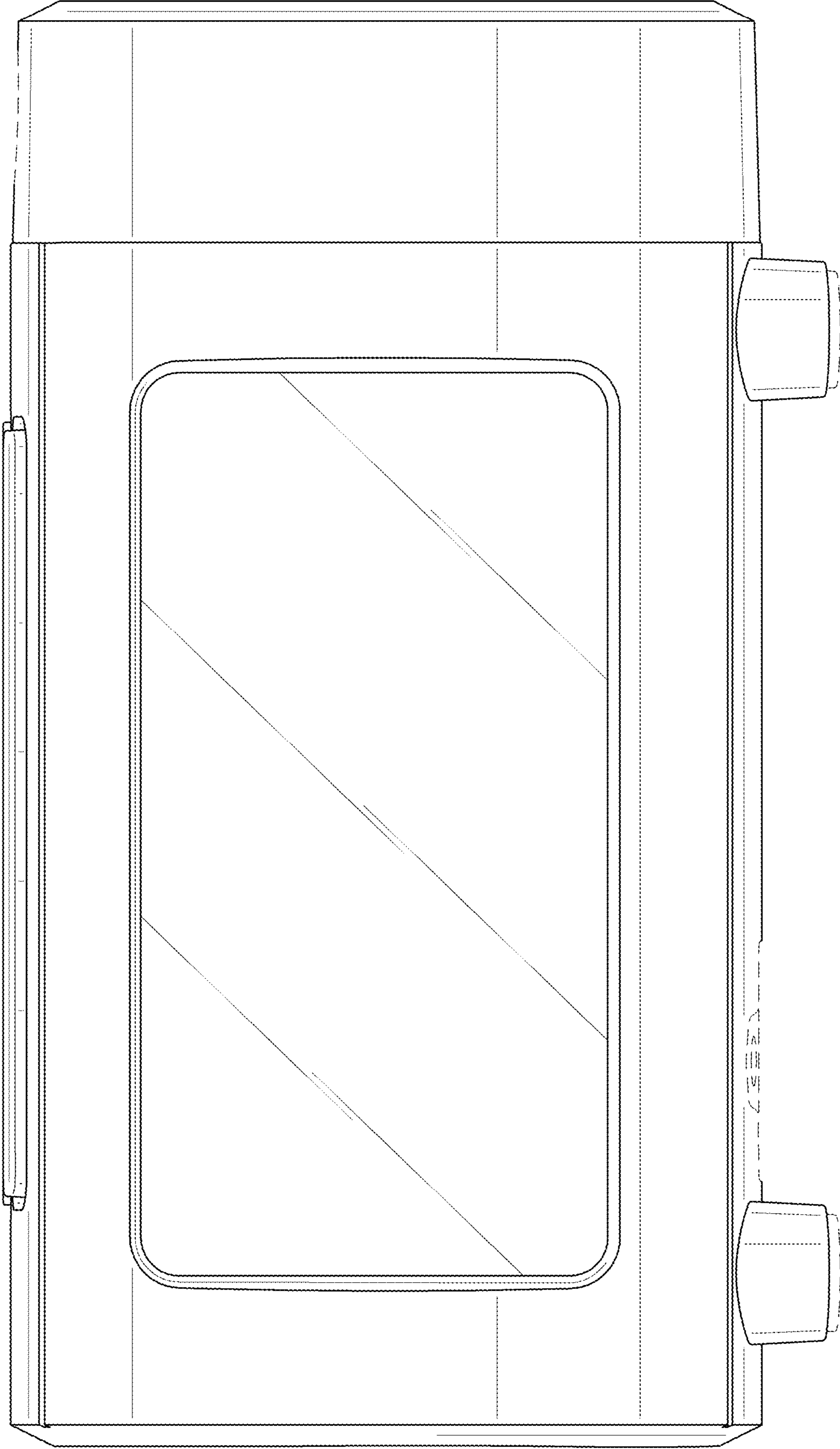


FIG. 2



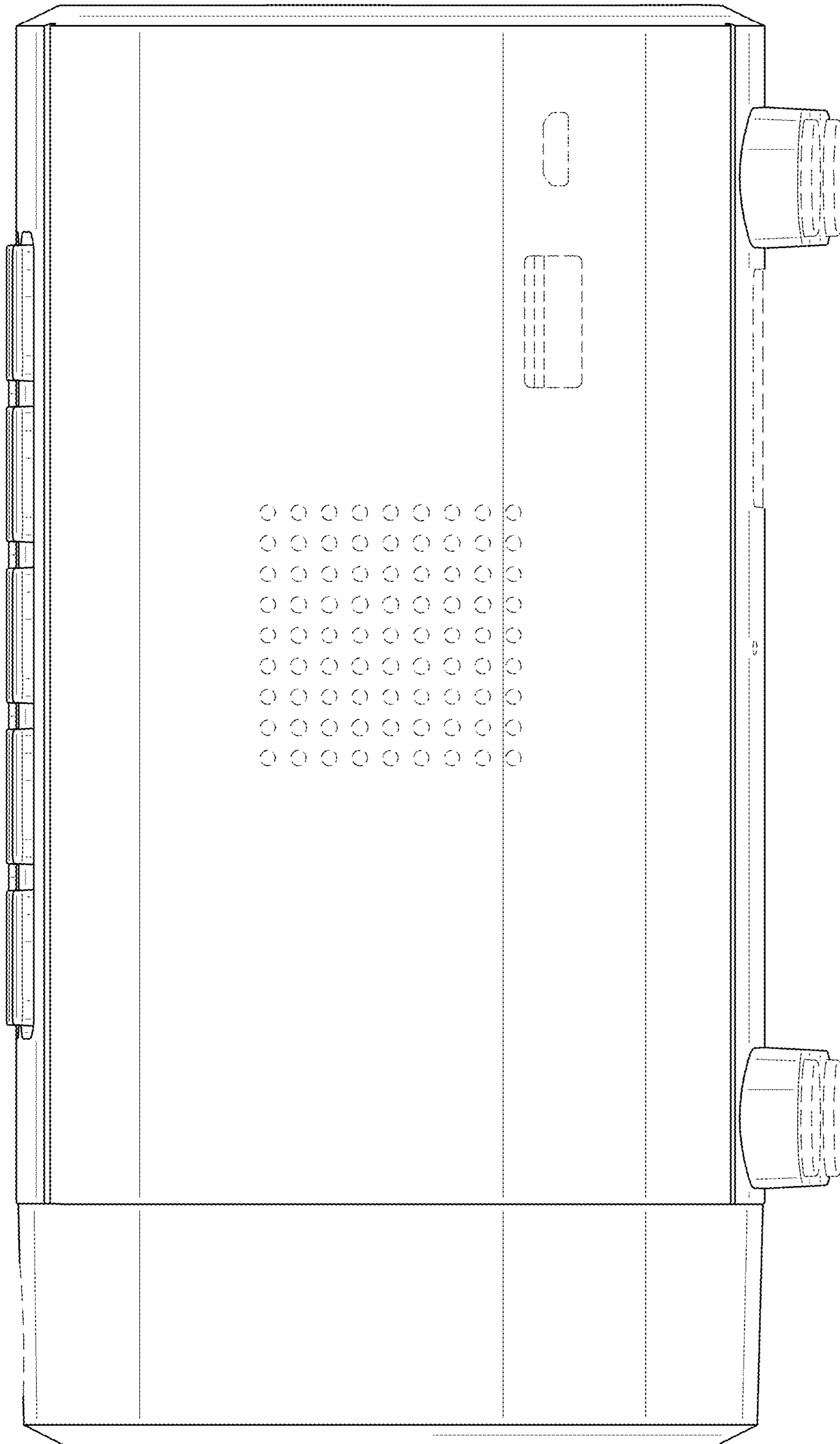


FIG. 3

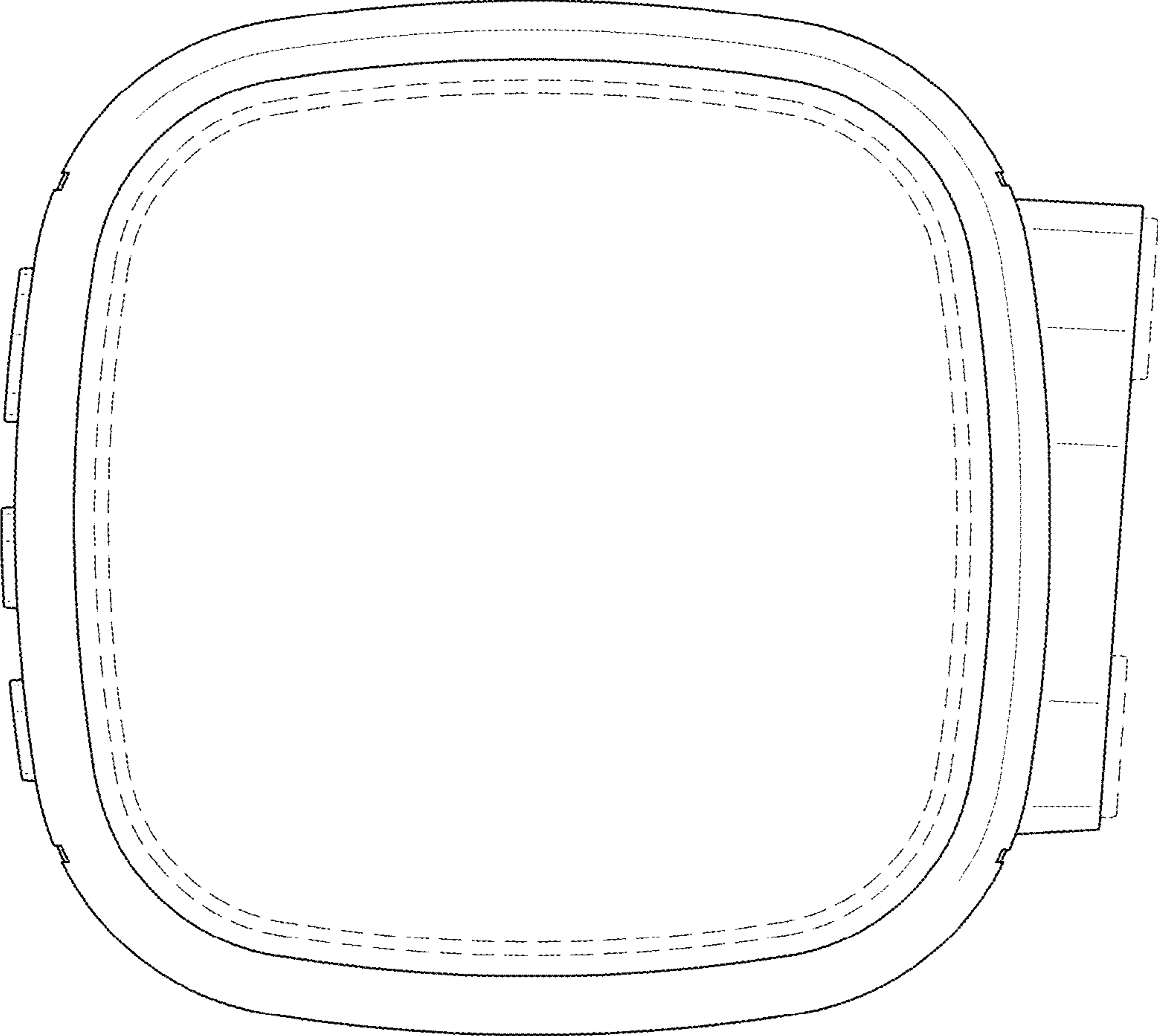


FIG. 4

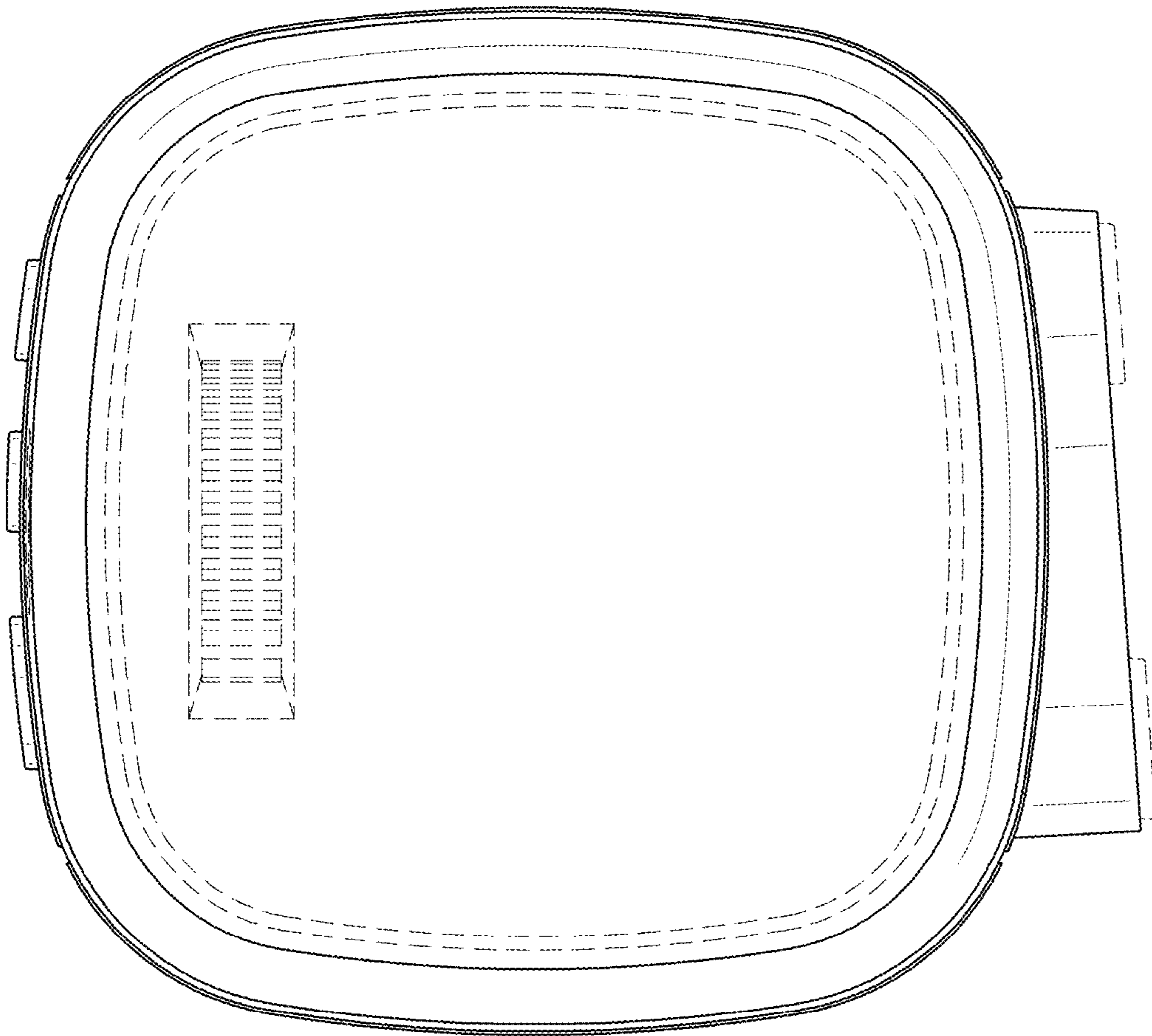


FIG. 5

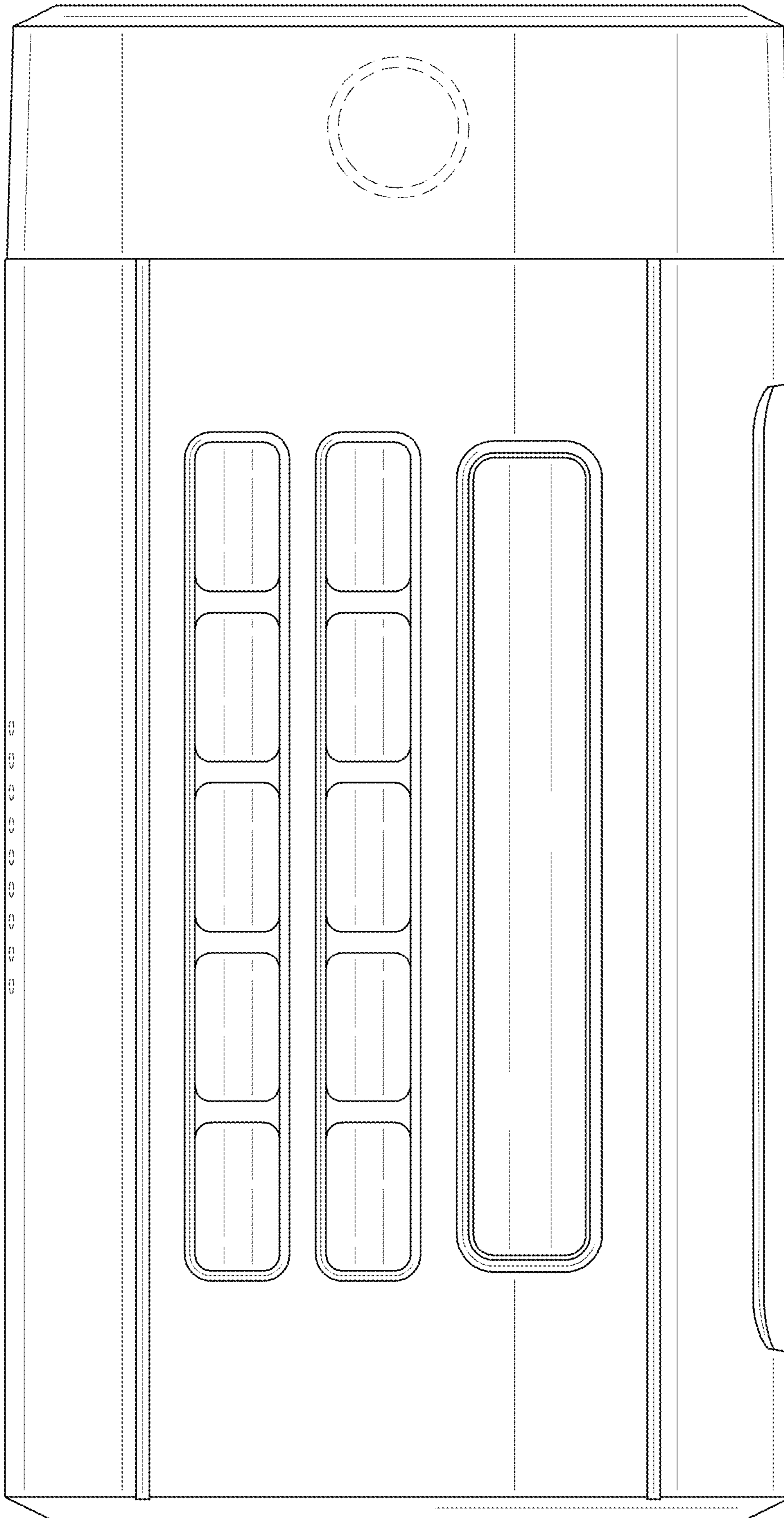


FIG. 6

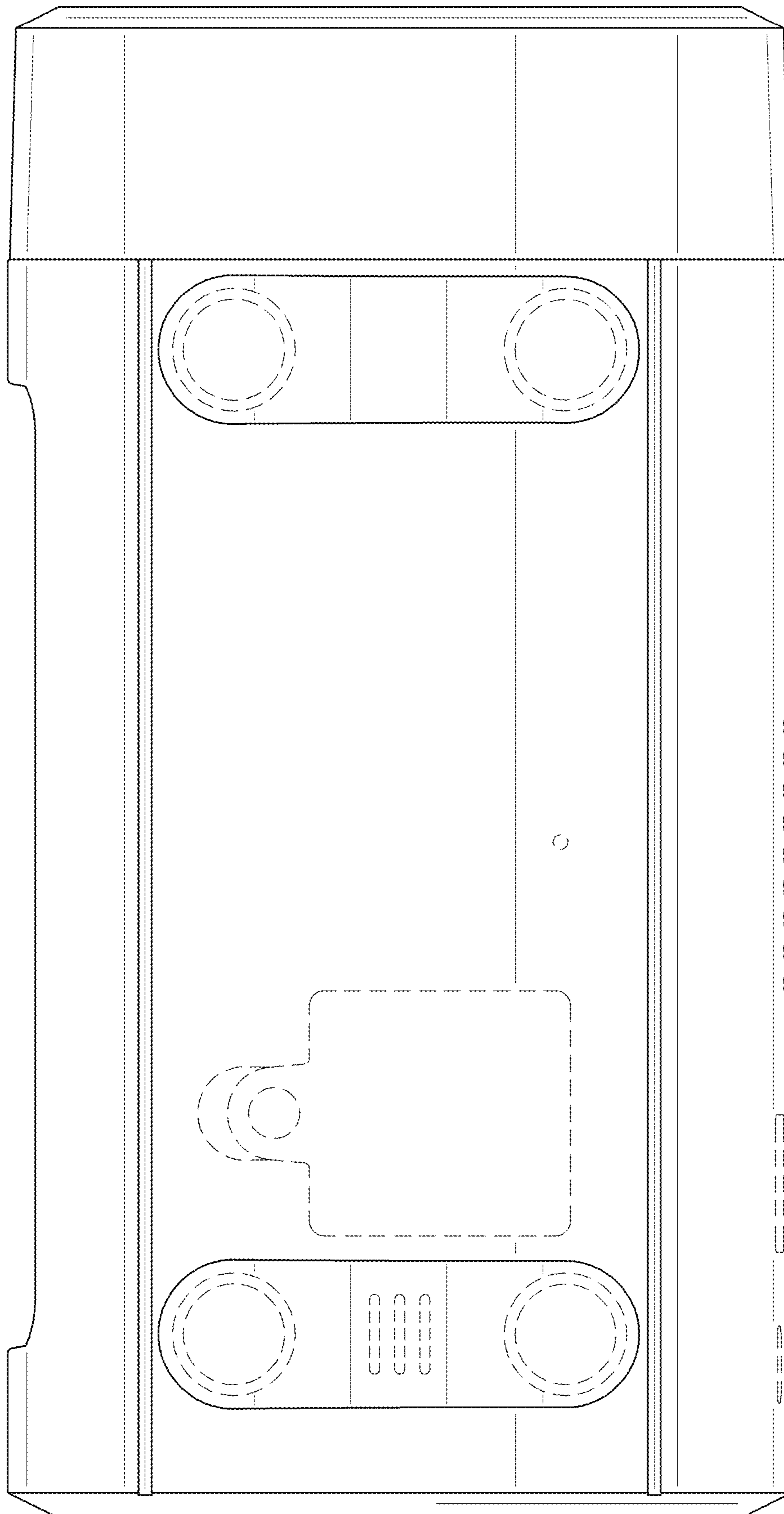


FIG. 7