



US00D873151S

(12) **United States Design Patent** (10) **Patent No.:** **US D873,151 S**
Laliberté et al. (45) **Date of Patent:** **** Jan. 21, 2020**

(54) **PACKAGING**

(71) Applicant: **DENTSPLY IH AB**, Mölndal (SE)
 (72) Inventors: **Anna Laliberté**, Västra Frölunda (SE);
Anna Kylberg Malmberg, Vallda (SE);
Gustaf Ljunglöf, Mölndal (SE); **Urban Ahlgren**, Stockholm (SE)
 (73) Assignee: **DENTSPLY IH AB**, Mölndal (SE)
 (**) Term: **15 Years**
 (21) Appl. No.: **29/600,853**
 (22) Filed: **Apr. 17, 2017**

(30) **Foreign Application Priority Data**

Oct. 18, 2016 (EM) 003423433

(51) **LOC (12) Cl.** **09-05**

(52) **U.S. Cl.**
USPC **D9/707**

(58) **Field of Classification Search**

USPC D9/702-714, 720-722, 416-417,
 D9/695-696; D24/118-119, 207;
 383/200, 207, 38, 208-209, 63, 61.1, 113;
 229/87.06, 87.03, 87.08; 426/106, 115,
 426/119-120, 122, 410; 222/94, 107,
 222/541.1, 92, 541.2; 206/811, 229, 484;
 219/727
 CPC B65D 65/18; B65D 65/00; B65D 65/02;
 B65D 65/10; B65D 83/12; B65D 83/00;
 B65D 83/0055; B65D 83/0409; B65D
 35/38; B65D 35/02; B65D 35/08; B65D
 35/44; B65D 35/00; B65D 35/28

See application file for complete search history.

(56) **References Cited**

U.S. PATENT DOCUMENTS

D619,478 S * 7/2010 Drewnowski D9/707
 D623,535 S * 9/2010 Nilsson D9/707
 D756,800 S * 5/2016 Fenech, III D9/707
 D773,313 S * 12/2016 Singer D9/710
 D814,711 S * 4/2018 Watson D30/105

* cited by examiner

Primary Examiner — Abraham Bahta

(74) *Attorney, Agent, or Firm* — Perkins Coie LLP

(57) **CLAIM**

The ornamental design for a packaging, as shown and described.

DESCRIPTION

The patent or application file contains at least one drawing executed in color. Copies of this patent or patent application publication with color drawing(s) will be provided by the Office upon request and payment of the necessary fee.

FIG. 1 is a front perspective view of the packaging showing our new design;

FIG. 2 is a rear perspective view thereof;

FIG. 3 is a front view thereof;

FIG. 4 is a rear view thereof;

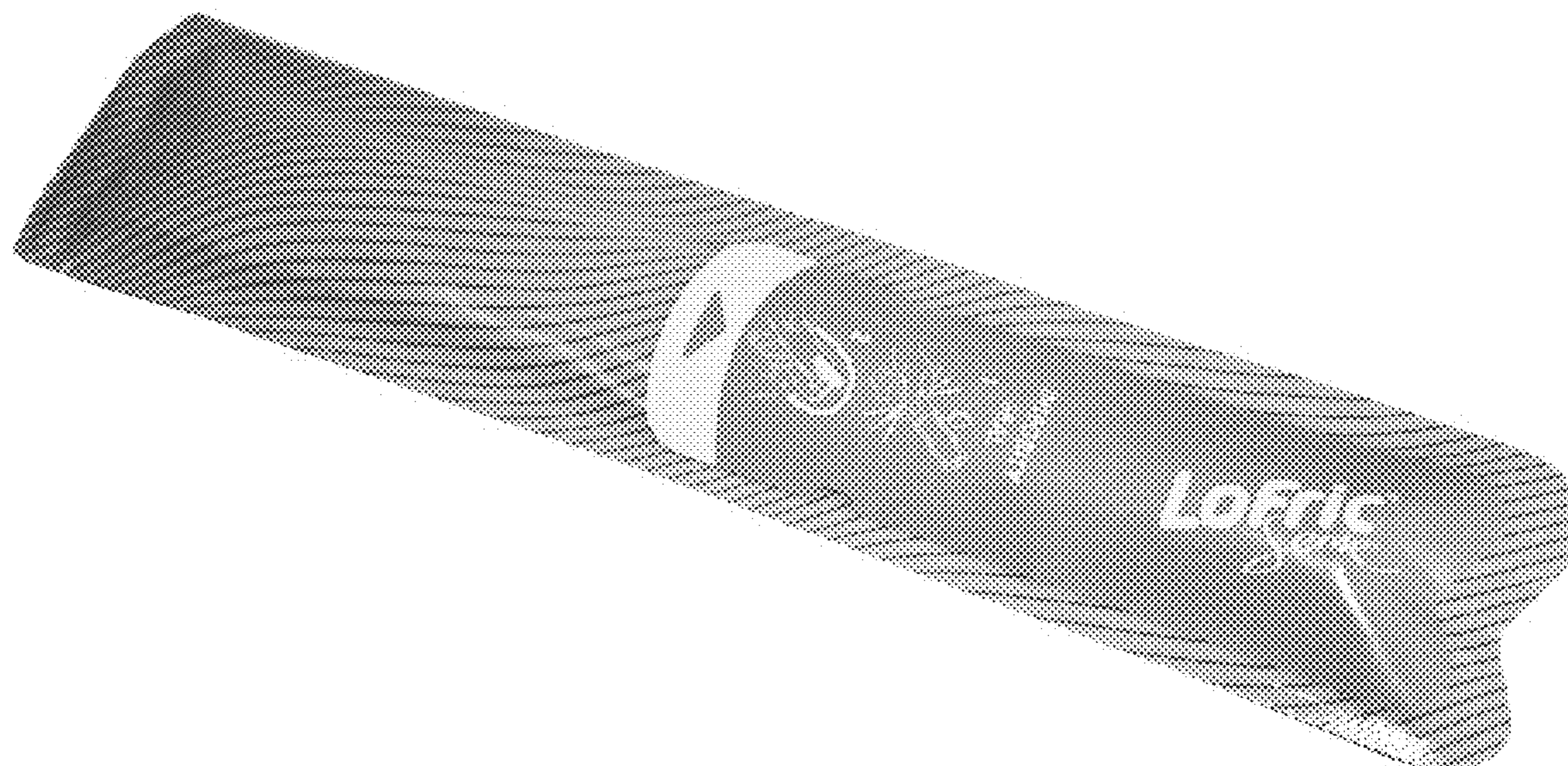
FIG. 5 is the second embodiment of the packaging;

FIG. 6 is a rear perspective view thereof;

FIG. 7 is a front view thereof; and,

FIG. 8 is a rear view thereof.

1 Claim, 4 Drawing Sheets
(2 of 4 Drawing Sheet(s) Filed in Color)



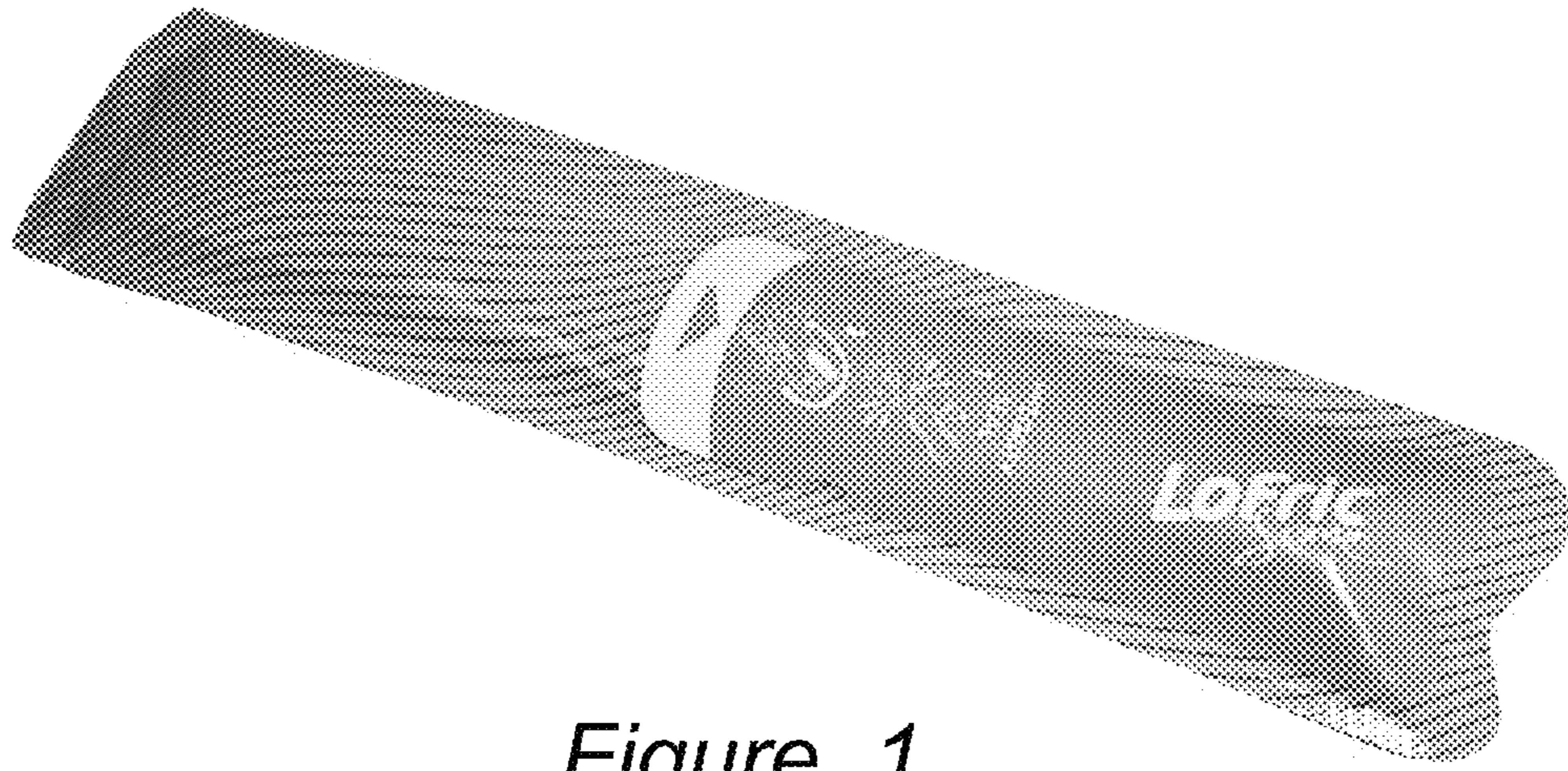


Figure. 1

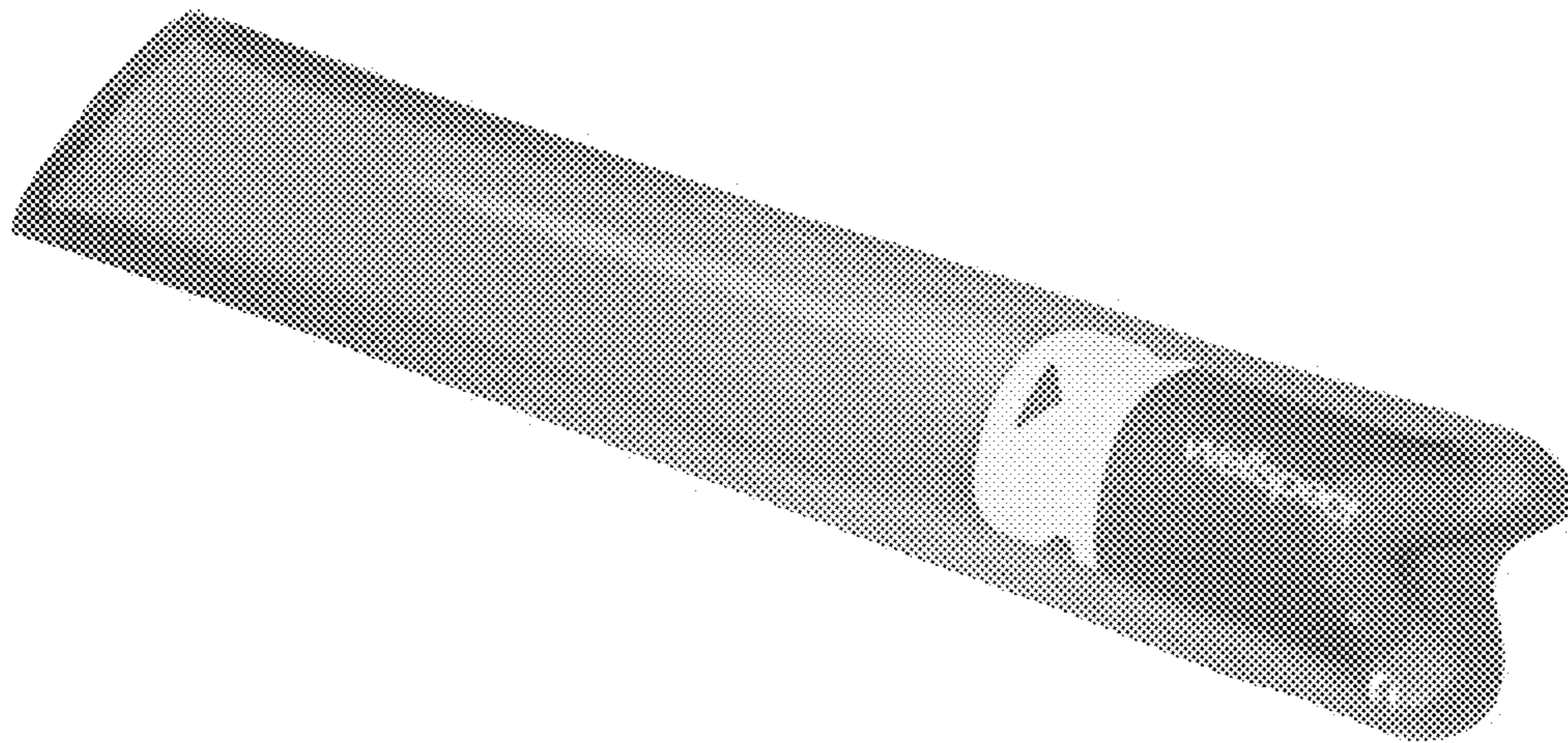


Figure. 2

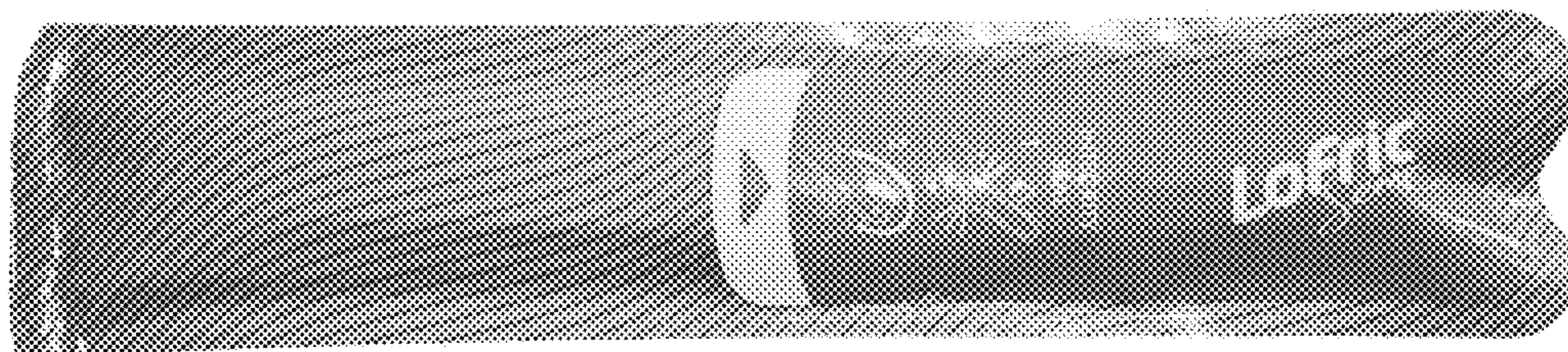


Figure. 3

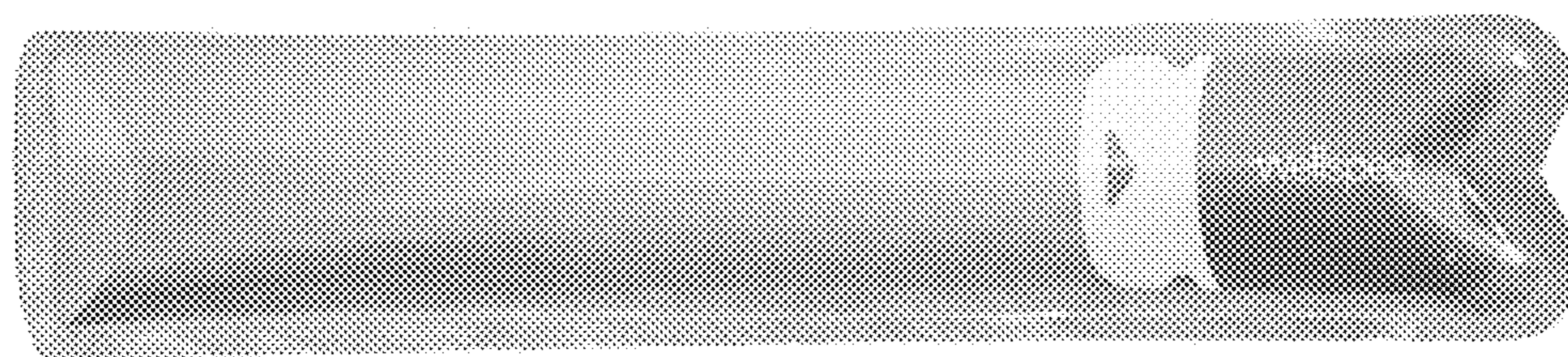


Figure. 4

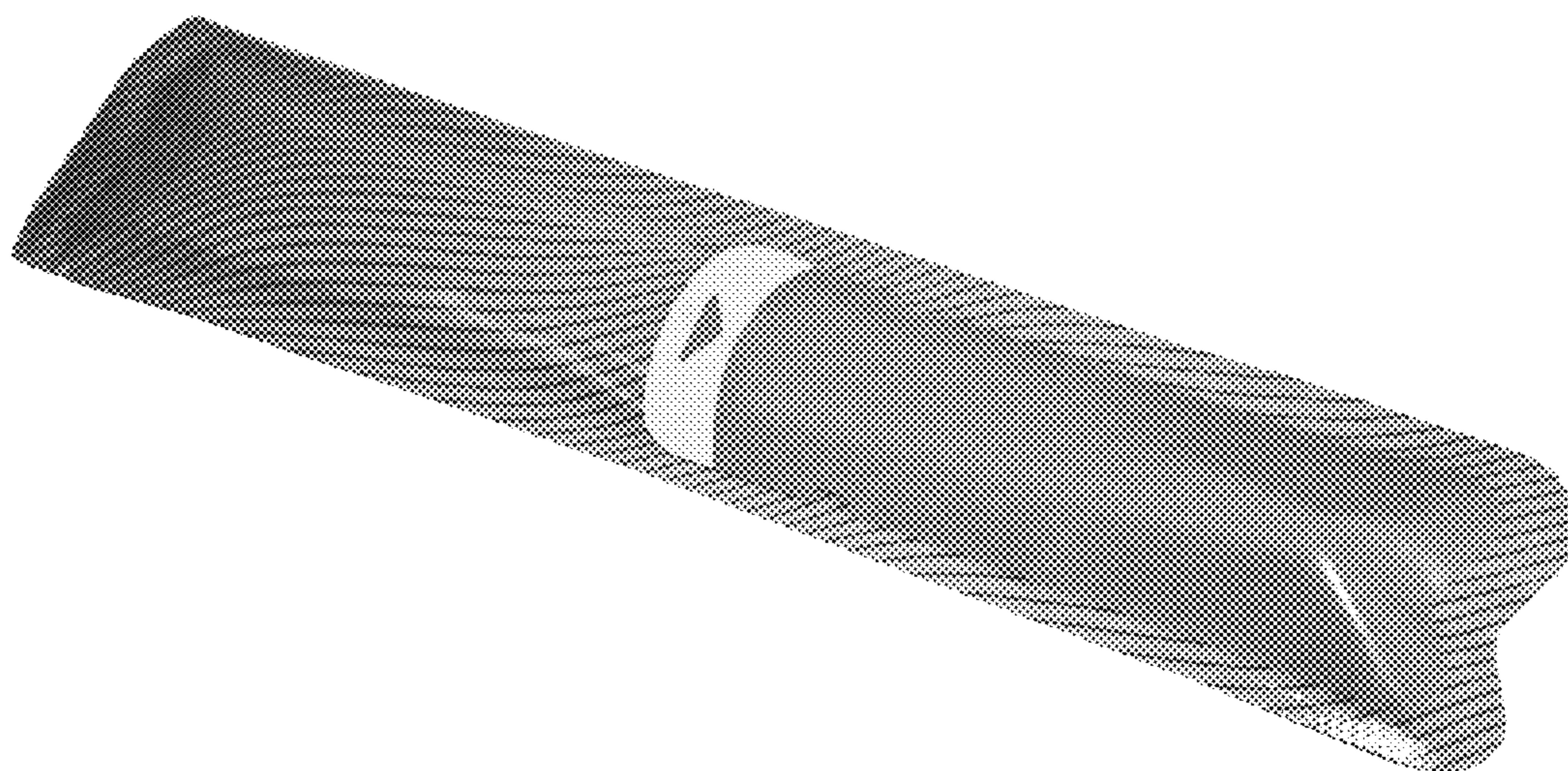


Figure. 5

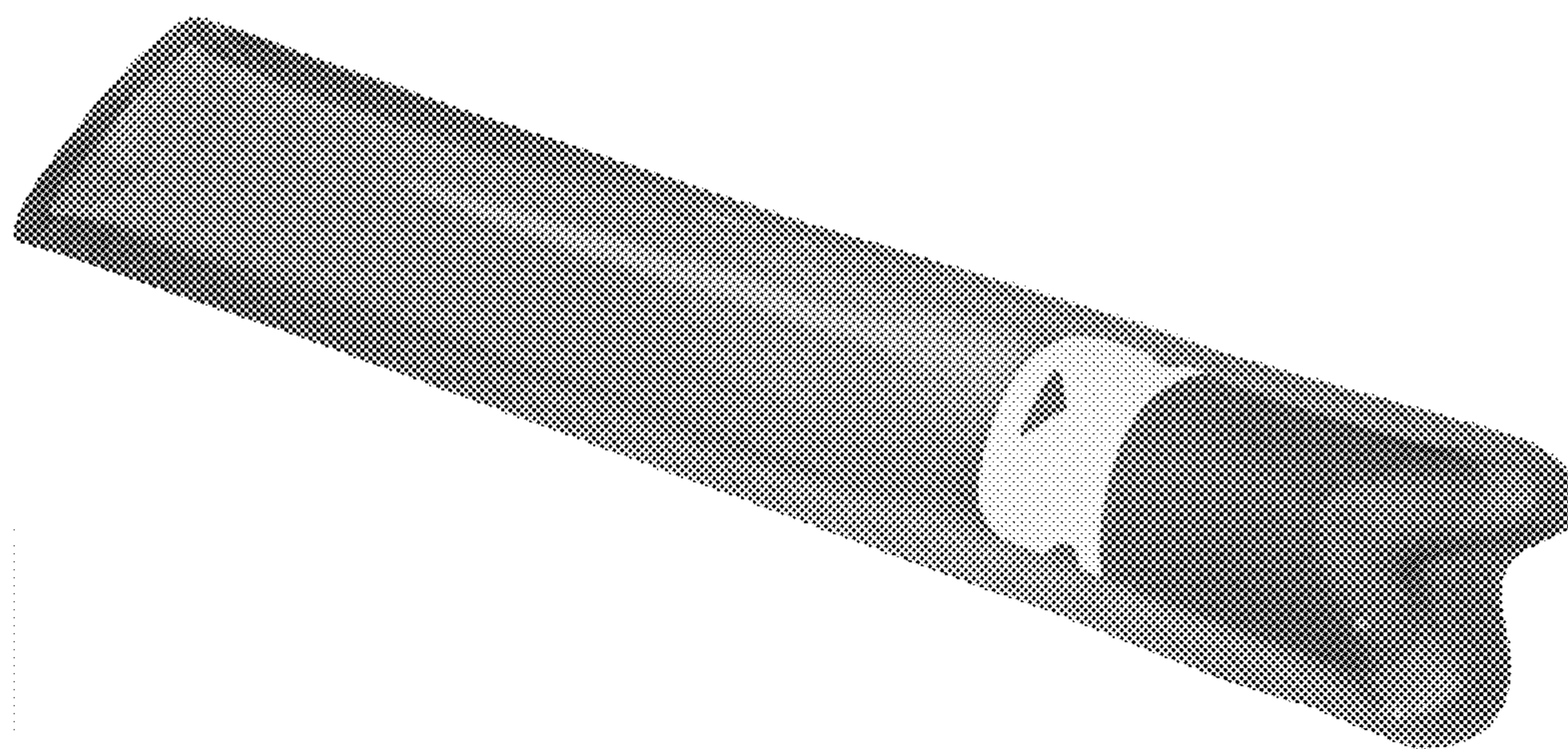


Figure. 6

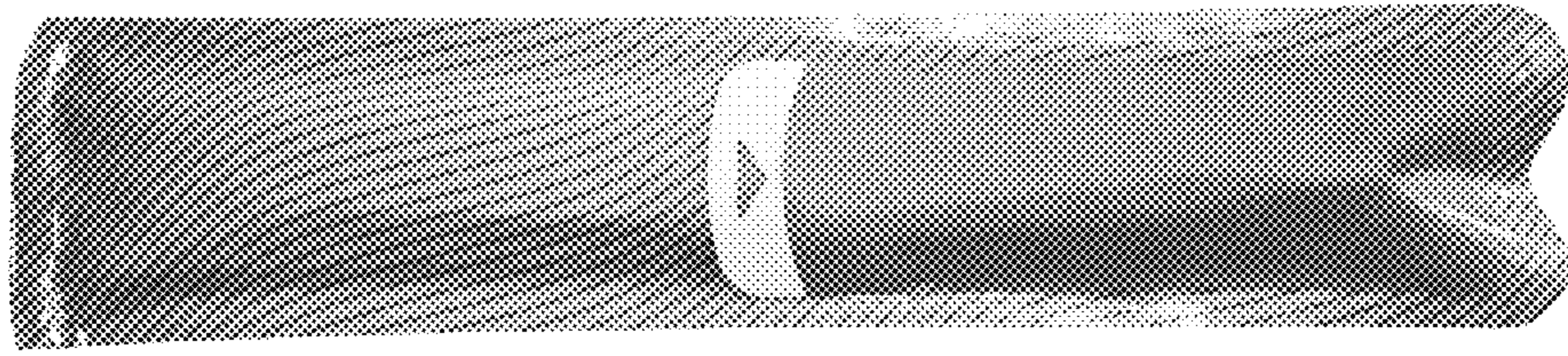


Figure. 7

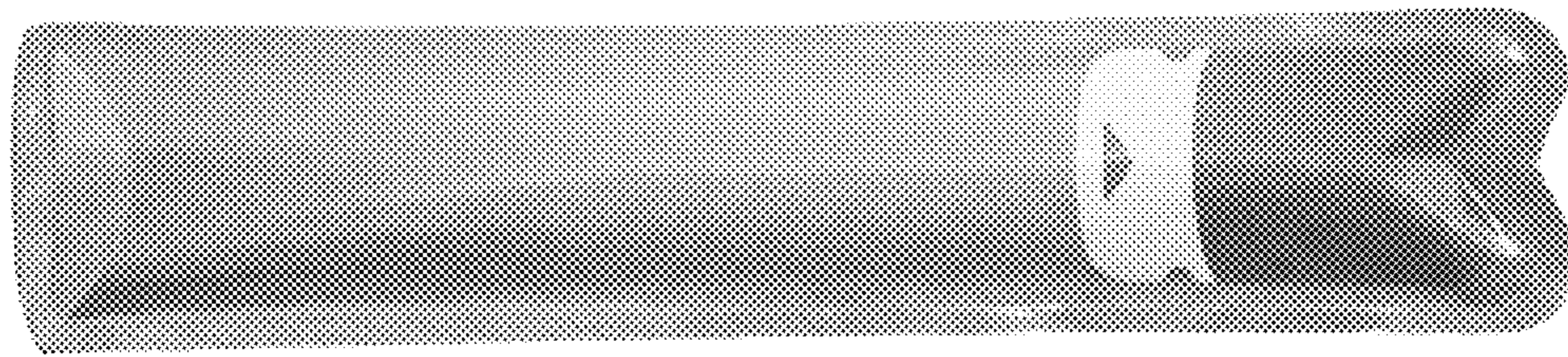


Figure. 8