



US00D873149S

(12) **United States Design Patent**
Gooden

(10) **Patent No.:** **US D873,149 S**
(45) **Date of Patent:** **** Jan. 21, 2020**

- (54) **SPRAY DISPENSER**
- (71) Applicant: **Hopkins Manufacturing Corporation**, Emporia, KS (US)
- (72) Inventor: **Marcus Gooden**, LomaLinda, CA (US)
- (73) Assignee: **Hopkins Manufacturing Corporation**, Emporia, KS (US)
- (**) Term: **15 Years**
- (21) Appl. No.: **29/626,713**
- (22) Filed: **Nov. 20, 2017**
- (51) **LOC (12) Cl.** **09-01**
- (52) **U.S. Cl.**
USPC **D9/685**
- (58) **Field of Classification Search**
USPC D9/682-694, 500-505, 715, 719,
D9/737-747, 723-729, 516-575,
D9/434-436, 443-450; D23/225, 366
CPC B65D 83/14-759; B05B 11/00-3098
See application file for complete search history.

- 2007/0034653 A1* 2/2007 Strand B65D 83/206
222/402.13
- 2007/0051754 A1* 3/2007 Strand B65D 83/206
222/402.13
- 2011/0108583 A1* 5/2011 Sell B65D 83/206
222/402.13
- 2011/0220685 A1* 9/2011 Lind B65D 83/206
222/402.11
- 2012/0048959 A1* 3/2012 Maas B05B 9/0822
239/1
- 2014/0084026 A1* 3/2014 Gillespie B65D 83/206
222/153.11
- 2017/0072769 A1* 3/2017 Quest B60H 1/00585
- 2018/0099808 A1* 4/2018 Richard B65D 83/206

* cited by examiner

Primary Examiner — Catherine A Tuttle
(74) *Attorney, Agent, or Firm* — Bond Schoeneck & King, PLLC; George McGuire

(57) **CLAIM**

The ornamental design for a spray dispenser, as shown and described.

DESCRIPTION

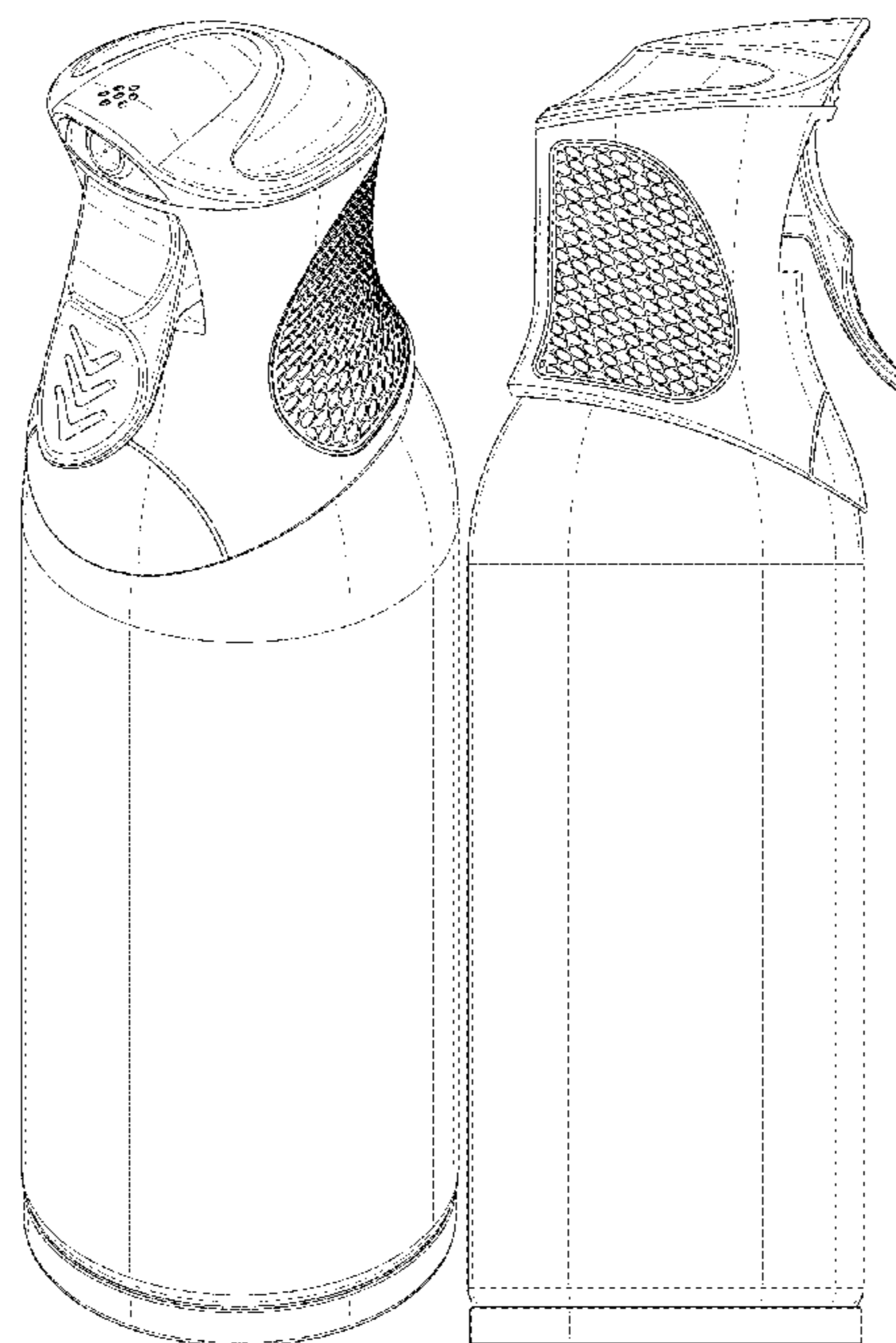
FIG. 1 is a perspective view of a new and ornamental design for a spray dispenser;
FIG. 2 is a front elevation view thereof;
FIG. 3 is a rear elevation view thereof;
FIG. 4 is a right side elevation view thereof;
FIG. 5 is a left side elevation view thereof;
FIG. 6 is a top plan view thereof; and,
FIG. 7 is a bottom plan view thereof.
The dashed lines in FIG. 7 are included for the purpose of illustrating the portion of the container that forms no part of the claimed design.

1 Claim, 6 Drawing Sheets

(56) **References Cited**

U.S. PATENT DOCUMENTS

- D325,357 S * 4/1992 Worthington D10/106.1
- D476,558 S * 7/2003 Cho D9/685
- D489,970 S * 5/2004 Nelson D9/688
- D590,712 S * 4/2009 Sweeton D9/448
- D591,612 S * 5/2009 Ames D9/685
- D595,575 S * 7/2009 Cichy D9/448
- D623,071 S * 9/2010 Driskell D9/685
- D639,160 S * 6/2011 Jug D9/448
- D649,456 S * 11/2011 Baker D9/435
- D650,284 S * 12/2011 Schriener D9/449
- D830,194 S * 10/2018 Maas D9/685
- 10,245,604 B2 * 4/2019 Foreman B05B 9/002



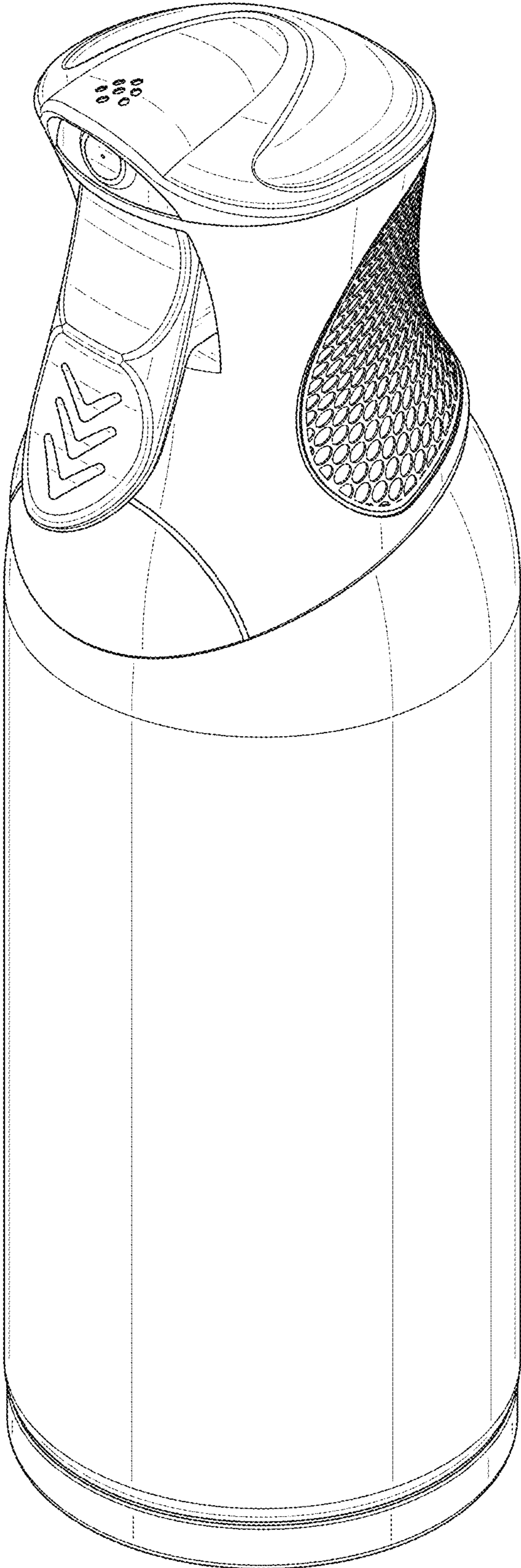


FIG. 1

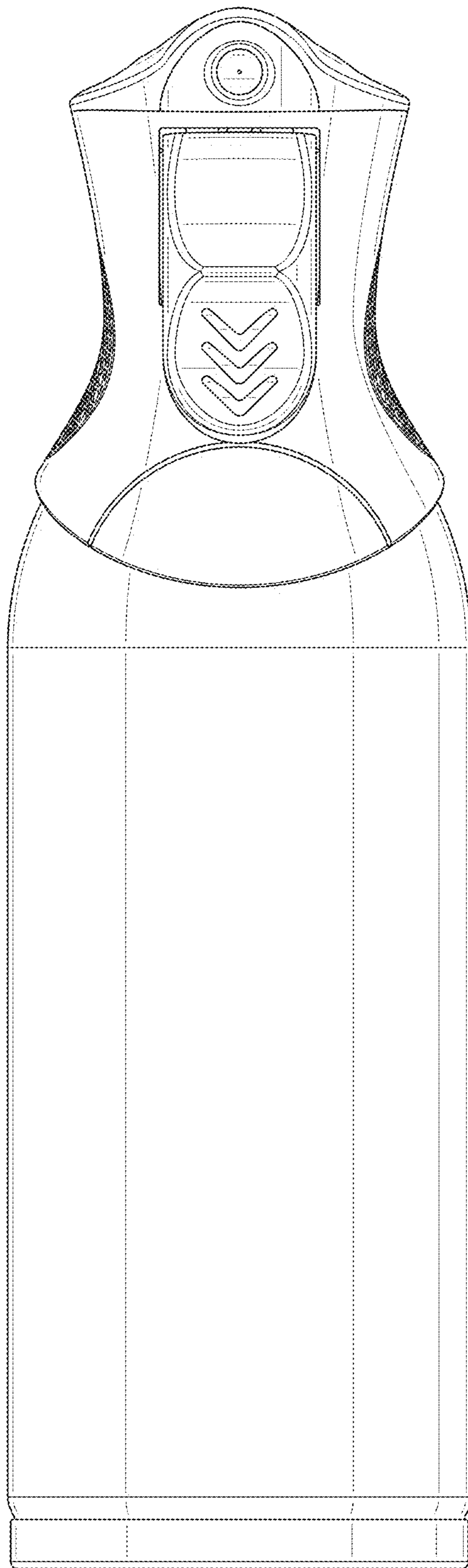


FIG. 2

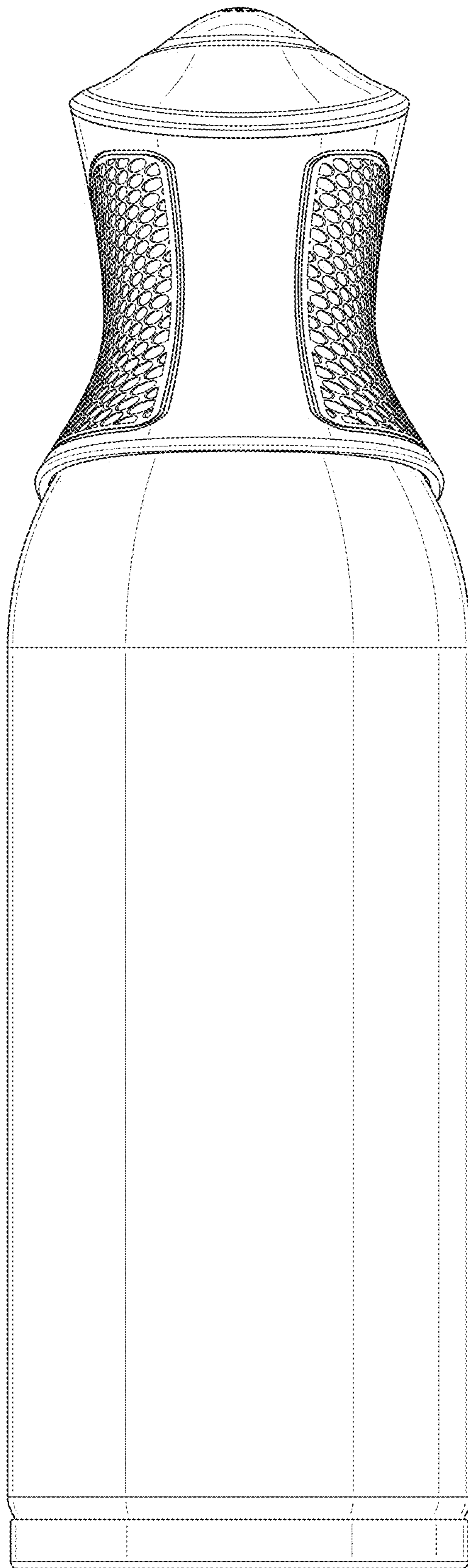


FIG. 3

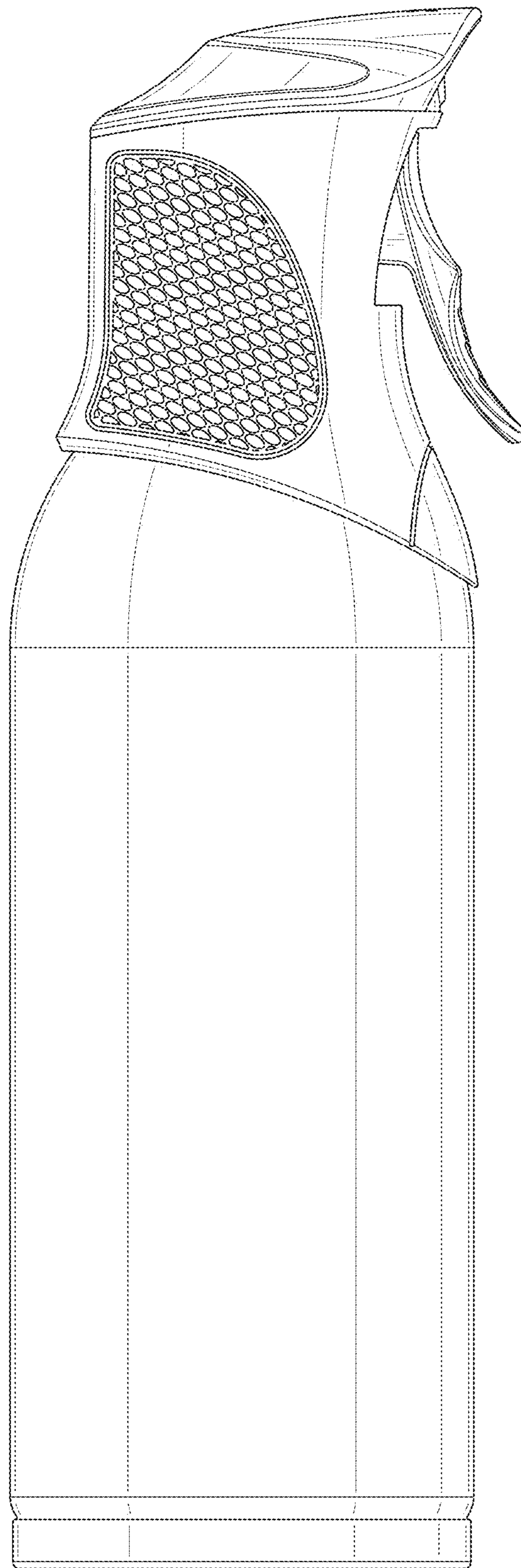


FIG. 4

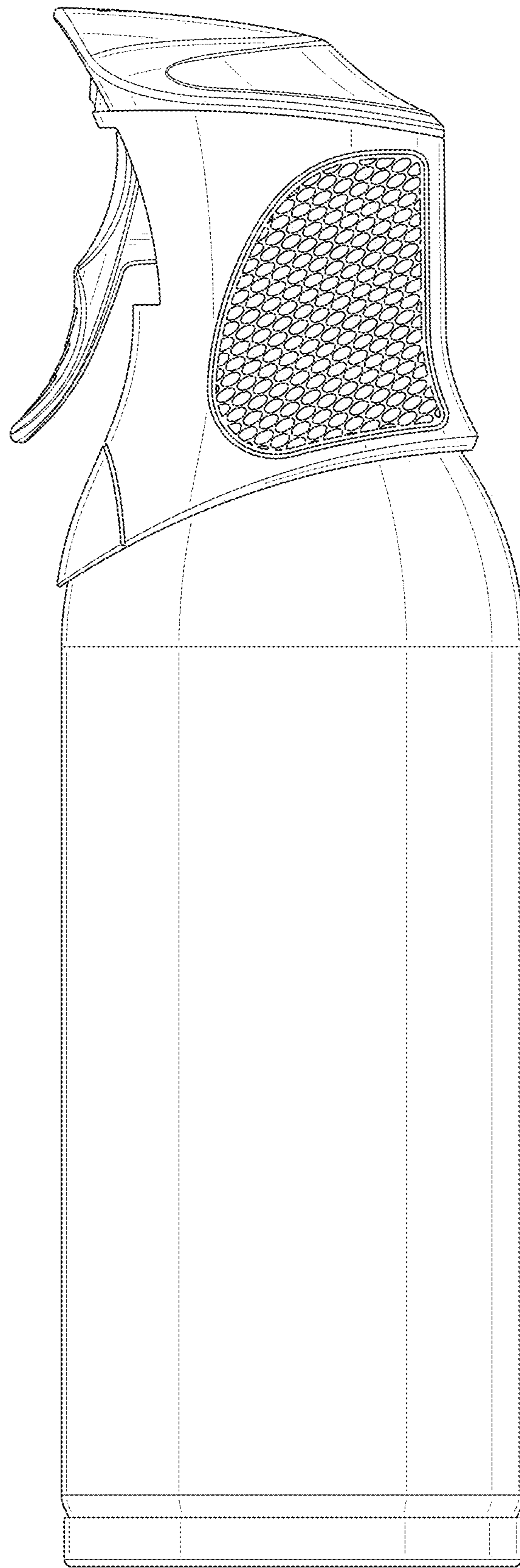


FIG. 5

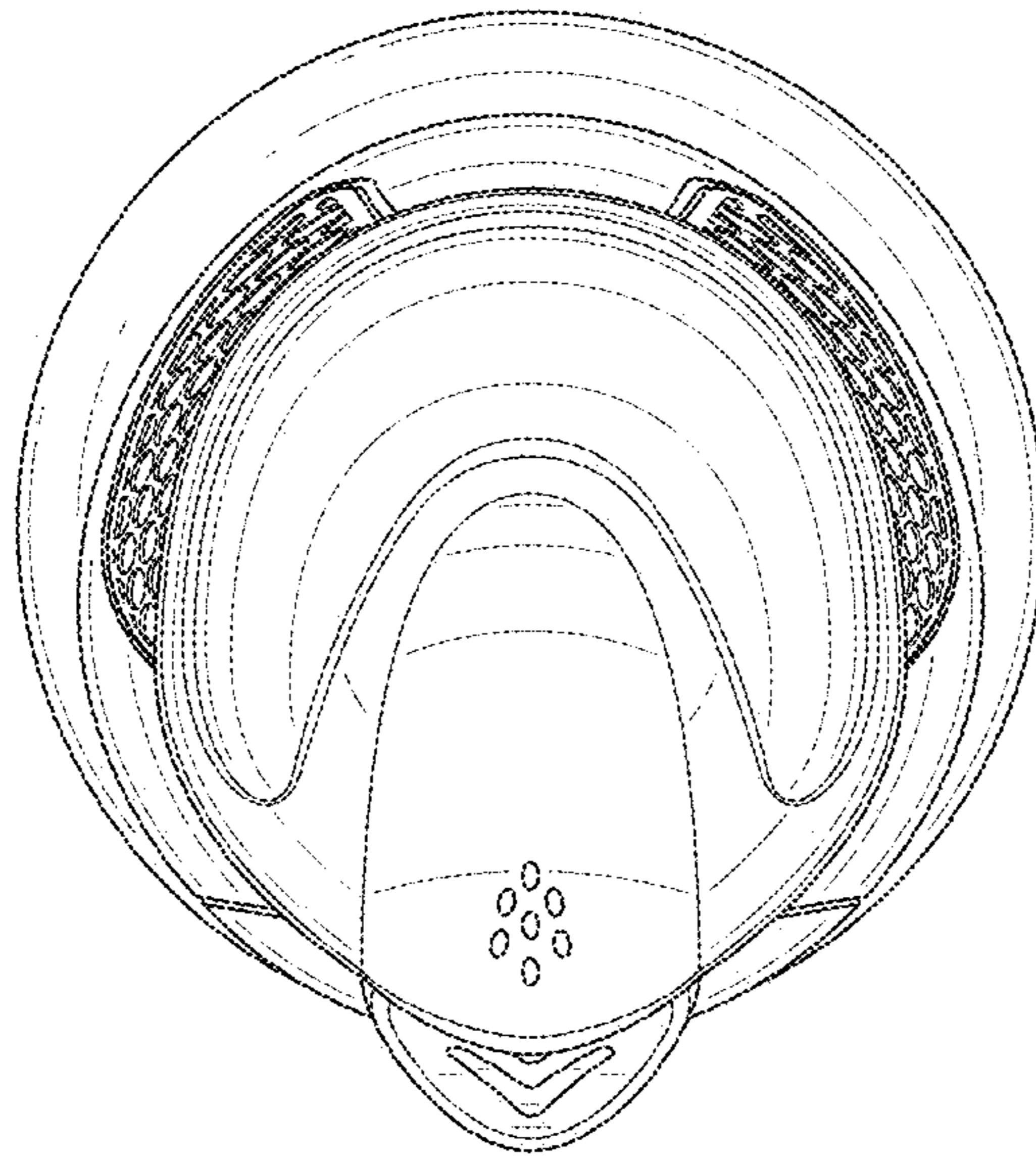


FIG. 6

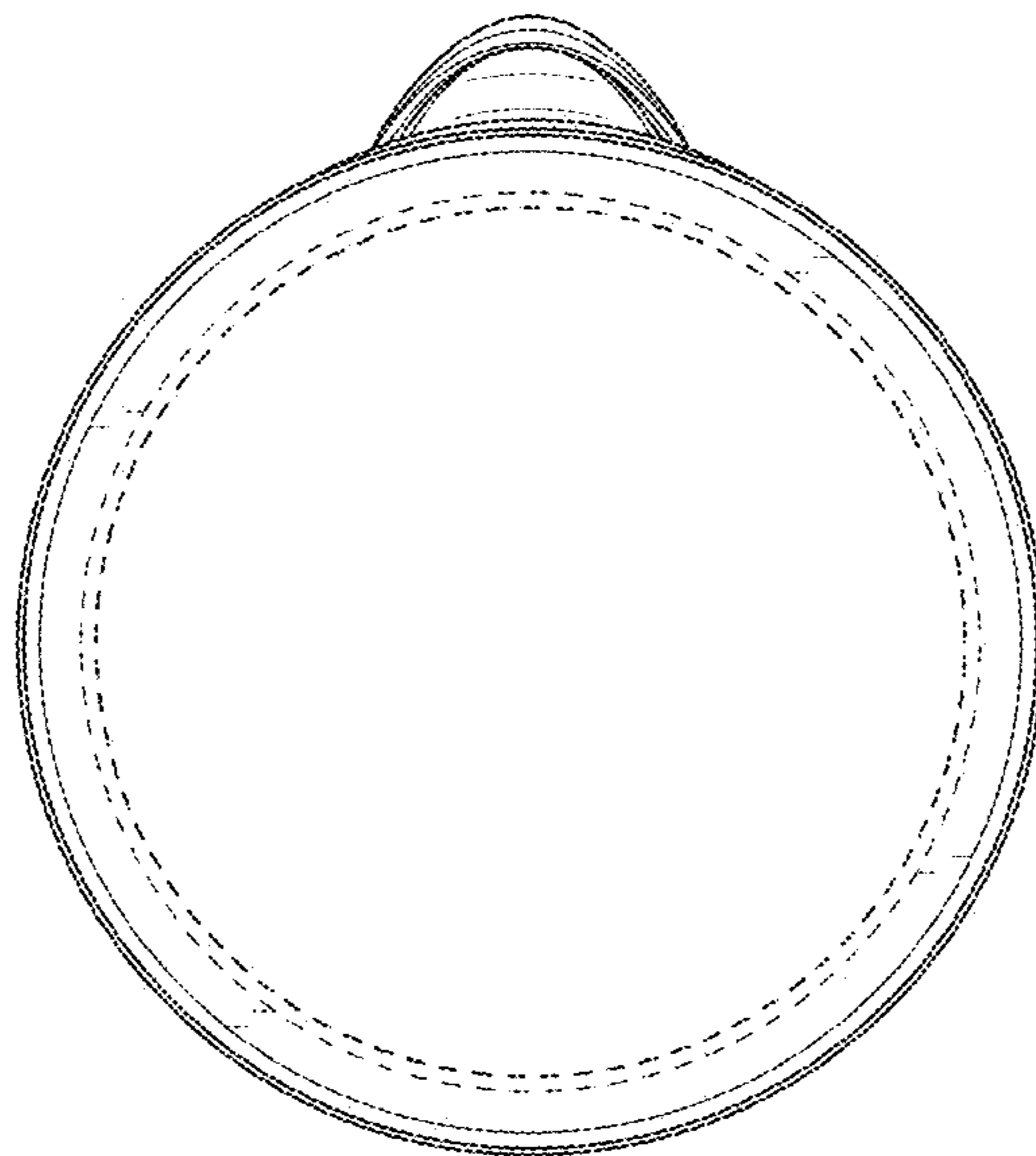


FIG. 7