

US00D873147S

(12) **United States Design Patent** (10) **Patent No.:** **US D873,147 S**  
**Aboabdo** (45) **Date of Patent:** **\*\* Jan. 21, 2020**

(54) **BOTTLE**  
(71) Applicant: **Chubby Gorilla, Inc.**, Fullerton, CA (US)  
(72) Inventor: **Ibrahiem H. Aboabdo**, Yorba Linda, CA (US)  
(73) Assignee: **Chubby Gorilla, Inc.**, Fullerton, CA (US)  
(\*\*) Term: **15 Years**  
(21) Appl. No.: **29/619,989**  
(22) Filed: **Oct. 3, 2017**  
(51) **LOC (12) Cl.** ..... **09-01**  
(52) **U.S. Cl.**  
USPC ..... **D9/560**  
(58) **Field of Classification Search**  
USPC ..... D9/682-694, 715, 719, 723-729,  
D9/738-747, 516, 517, 520, 529, 504,  
(Continued)

(56) **References Cited**

**U.S. PATENT DOCUMENTS**

D24,655 S \* 9/1895 Preston ..... D9/560  
D26,674 S \* 2/1897 Estes ..... D9/502  
(Continued)

**FOREIGN PATENT DOCUMENTS**

CN 3329175 \* 10/2003  
CN 3659165 \* 6/2007  
(Continued)

*Primary Examiner* — Catherine A Tuttle

(74) *Attorney, Agent, or Firm* — Knobbe Martens Olson & Bear, LLP

(57) **CLAIM**

The ornamental design for a bottle, as shown and described herein.

**DESCRIPTION**

FIG. 1 is a top perspective view of a bottle embodying the new design.

FIG. 2 is a front elevation view thereof.  
FIG. 3 is a rear elevation view thereof.  
FIG. 4 is a first side elevation view thereof.  
FIG. 5 is a second side elevation view thereof.  
FIG. 6 is a top view thereof.  
FIG. 7 is a bottom view thereof.  
FIG. 8 is an exploded perspective view thereof.  
FIG. 9 is an exploded elevation view thereof.  
FIG. 10 is bottom perspective view thereof.  
FIG. 11 is a top perspective view of a second embodiment of the bottle embodying the new design.  
FIG. 12 is a front elevation view thereof.  
FIG. 13 is a rear elevation view thereof.  
FIG. 14 is a first side elevation view thereof.  
FIG. 15 is a second side elevation view thereof.  
FIG. 16 is a top view thereof.  
FIG. 17 is a bottom view thereof.  
FIG. 18 is an exploded perspective view thereof.  
FIG. 19 is an exploded elevation view thereof.  
FIG. 20 is bottom perspective view thereof.  
FIG. 21 is a top perspective view of a third embodiment of the bottle embodying the new design.  
FIG. 22 is a front elevation view thereof.  
FIG. 23 is a rear elevation view thereof.  
FIG. 24 is a first side elevation view thereof.  
FIG. 25 is a second side elevation view thereof.  
FIG. 26 is a top view thereof.  
FIG. 27 is a bottom view thereof.  
FIG. 28 is an exploded perspective view thereof.  
FIG. 29 is an exploded elevation view thereof.  
FIG. 30 is bottom perspective view thereof.  
FIG. 31 is a top perspective view of a fourth embodiment of the bottle embodying the new design.  
FIG. 32 is a front elevation view thereof.  
FIG. 33 is a rear elevation view thereof.  
FIG. 34 is a first side elevation view thereof.  
FIG. 35 is a second side elevation view thereof.  
FIG. 36 is a top view thereof.  
FIG. 37 is a bottom view thereof.  
FIG. 38 is an exploded perspective view thereof.  
FIG. 39 is an exploded elevation view thereof.  
FIG. 40 is bottom perspective view thereof.  
FIG. 41 is a top perspective view of a fifth embodiment of the bottle embodying the new design.

(Continued)

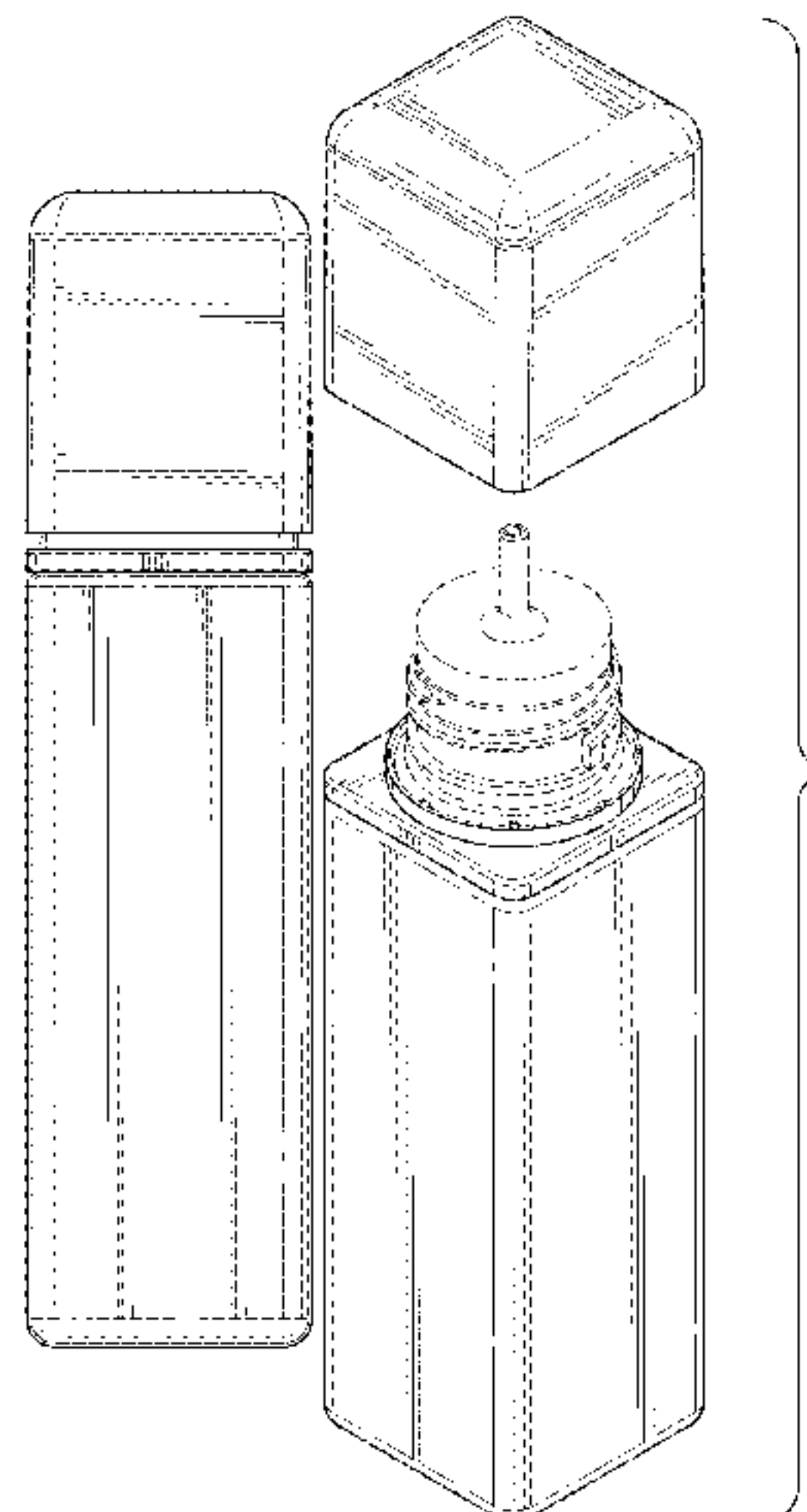


FIG. 42 is a front elevation view thereof.  
 FIG. 43 is a rear elevation view thereof.  
 FIG. 44 is a first side elevation view thereof.  
 FIG. 45 is a second side elevation view thereof.  
 FIG. 46 is a top view thereof.  
 FIG. 47 is a bottom view thereof.  
 FIG. 48 is an exploded perspective view thereof.  
 FIG. 49 is an exploded elevation view thereof; and,  
 FIG. 50 is bottom perspective view thereof.  
 The bottle in each of the second and fourth embodiments is shown with a symbolic break in its length, represented by break lines. The appearance of any portion of the article between the break lines forms no part of the claimed design. All features in broken lines are for the purpose of illustrating portions of the bottle that form no part of the claimed design.

**1 Claim, 28 Drawing Sheets**

**(58) Field of Classification Search**

USPC ..... D9/544-546, 559-575, 414, 418, 432,  
 D9/434-436, 439, 440, 444, 445, 447,  
 D9/448; D28/76-91.1  
 CPC ..... A45D 34/00; A45D 34/02; A45D 34/04;  
 A45D 34/042; A45D 34/045; A45D  
 34/06; A45D 2034/002; A45D 2034/005;  
 A45D 2034/007; A45D 2200/055; A45D  
 2200/056; A45D 2200/057; A45D  
 2200/109; B05B 11/00-3098; B65D 1/08;  
 B65D 1/09; B65D 1/0223; B65D 1/32;  
 B65D 2501/0081; B65D 1/40; B65D  
 1/46; B65D 1/48; B65D 1/023; B65D  
 1/0238; B65D 1/0246; B65D 1/0253

See application file for complete search history.

**(56) References Cited**

**U.S. PATENT DOCUMENTS**

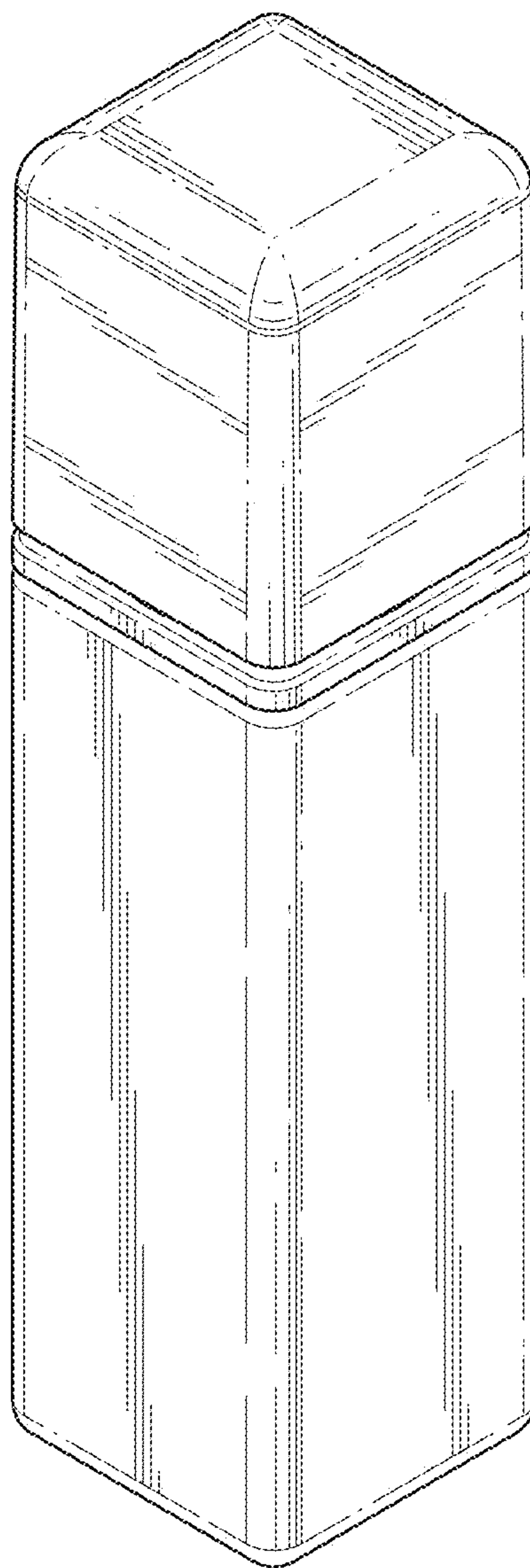
3,581,926 A \* 6/1971 Roder ..... B65D 41/0471  
 215/330  
 D225,327 S \* 12/1972 Marsh ..... D23/207

D233,981 S \* 12/1974 Watt ..... D9/560  
 D241,013 S \* 8/1976 Dekker ..... D9/529  
 4,006,837 A \* 2/1977 Gates ..... B65D 41/0471  
 215/333  
 D264,941 S \* 6/1982 Stock ..... D24/115  
 D271,337 S \* 11/1983 Holloway ..... D28/85  
 5,803,287 A \* 9/1998 Kusz ..... B65D 41/0471  
 215/330  
 D432,725 S \* 10/2000 Gavin ..... D28/85  
 D462,144 S \* 8/2002 Gaydon ..... D28/76  
 D466,412 S \* 12/2002 Baskinger ..... D9/432  
 D478,690 S \* 8/2003 Sgariboldi ..... D28/85  
 D479,017 S \* 8/2003 Sgariboldi ..... D28/85  
 D479,018 S \* 8/2003 Sgariboldi ..... D28/85  
 D522,696 S \* 6/2006 Severa ..... D28/88  
 D531,043 S \* 10/2006 Houtart ..... D9/560  
 D561,593 S \* 2/2008 Gomez ..... D9/529  
 D580,778 S \* 11/2008 Konckier ..... D9/694  
 D639,338 S \* 6/2011 Hung ..... D19/163  
 D644,108 S \* 8/2011 Vila Calvo ..... D9/529  
 D646,579 S \* 10/2011 Rahe ..... D9/560  
 D655,200 S \* 3/2012 Gross ..... B65D 83/56  
 D9/687  
 D709,379 S \* 7/2014 Moretti ..... D9/529  
 D715,653 S \* 10/2014 Lavigne ..... D9/529  
 D761,123 S \* 7/2016 Breidenbach ..... D28/7  
 D777,037 S \* 1/2017 Serafin ..... D9/435  
 D808,280 S \* 1/2018 Nagata ..... D9/560  
 D816,506 S \* 5/2018 Jones ..... D9/560  
 2008/0230505 A1 \* 9/2008 Kerman ..... B65D 41/0471  
 215/44

**FOREIGN PATENT DOCUMENTS**

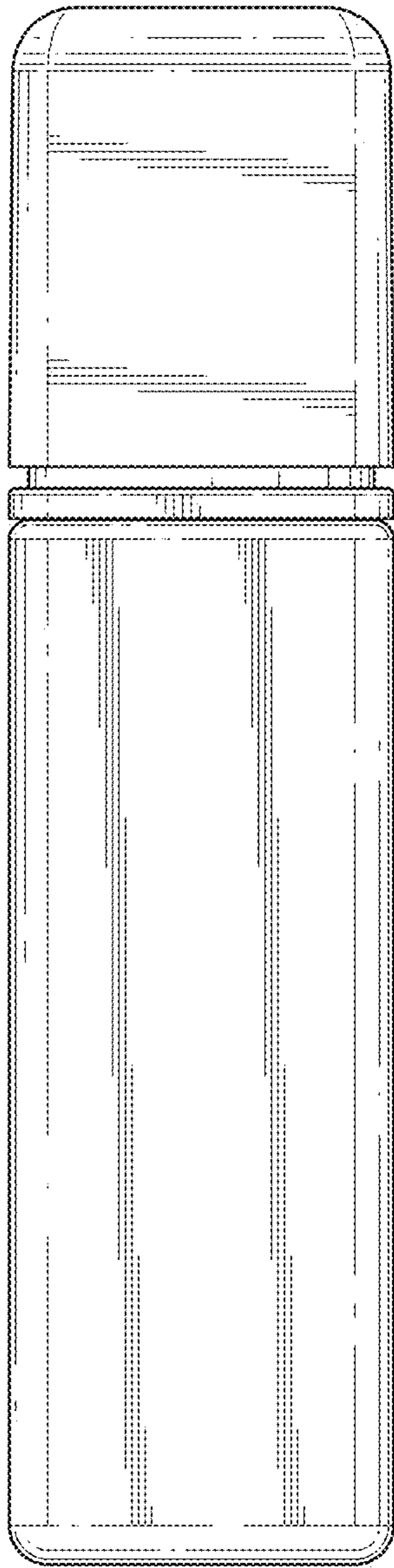
CN 301367310 \* 10/2010  
 CN 301732992 \* 11/2011  
 CN 303048396 \* 12/2014  
 CN 303945414 \* 11/2016  
 CN 300885455.0000 \* 12/2016  
 CN 304079110 \* 3/2017  
 CN 304272281 \* 9/2017  
 KR 300390664.0000 \* 8/2005  
 KR 300402168.0000 \* 12/2005  
 KR 300446335.0000 \* 4/2007  
 KR 300579084.0000 \* 11/2010  
 KR 300587943.0000 \* 2/2011

\* cited by examiner

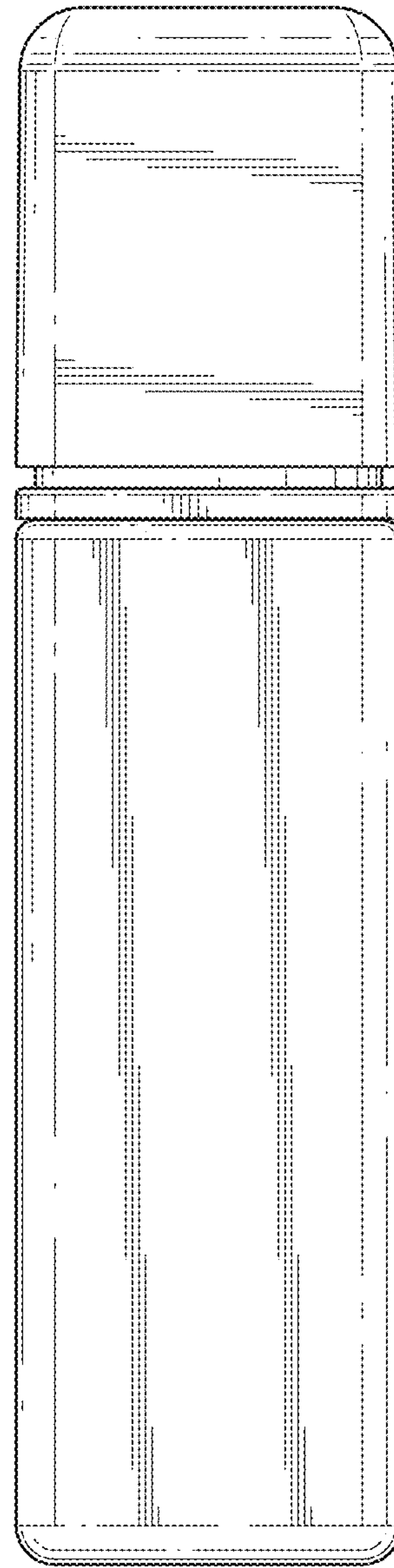


*FIG. 1*





*FIG. 2*



*FIG. 3*

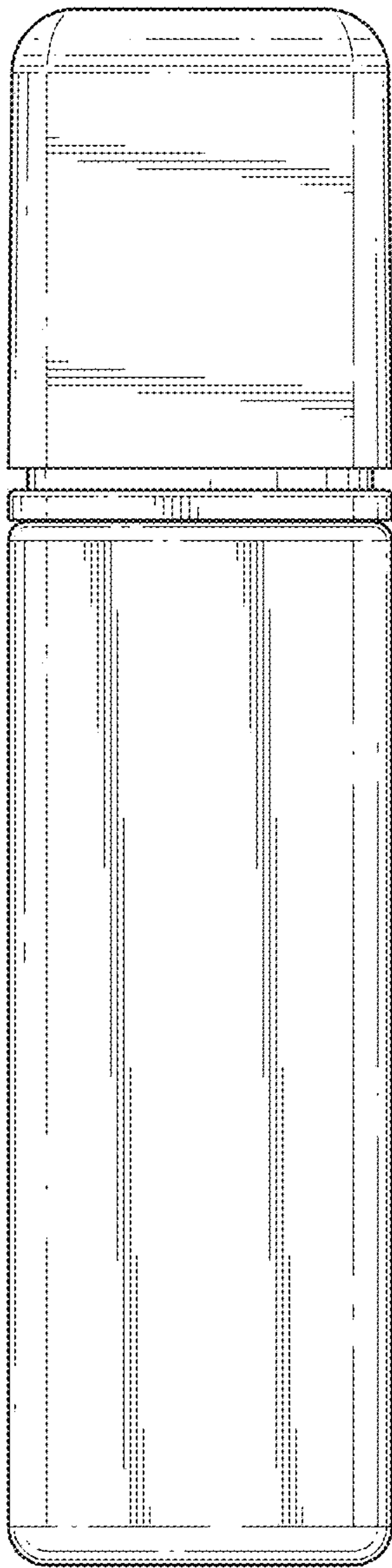


FIG. 4

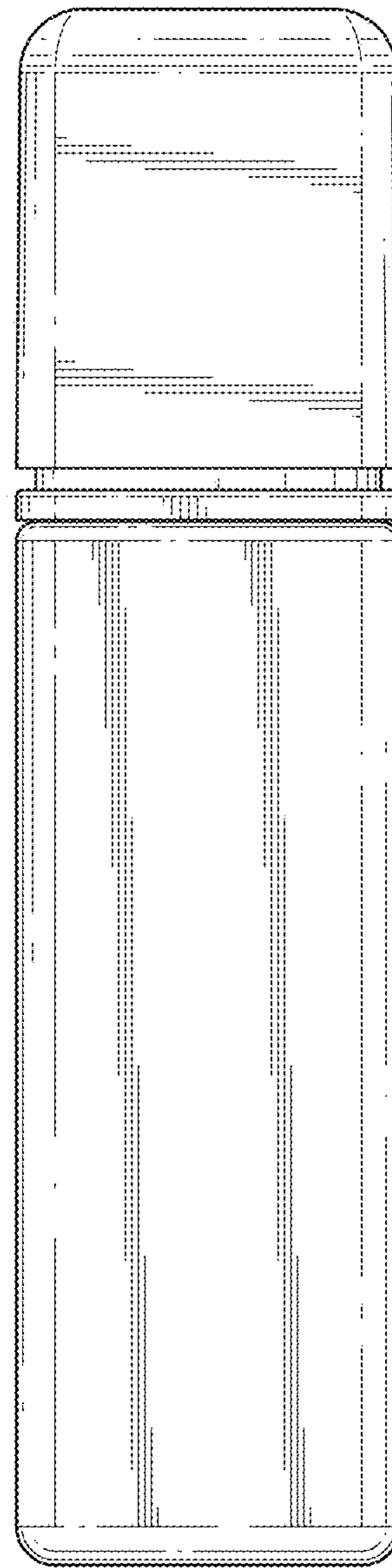


FIG. 5

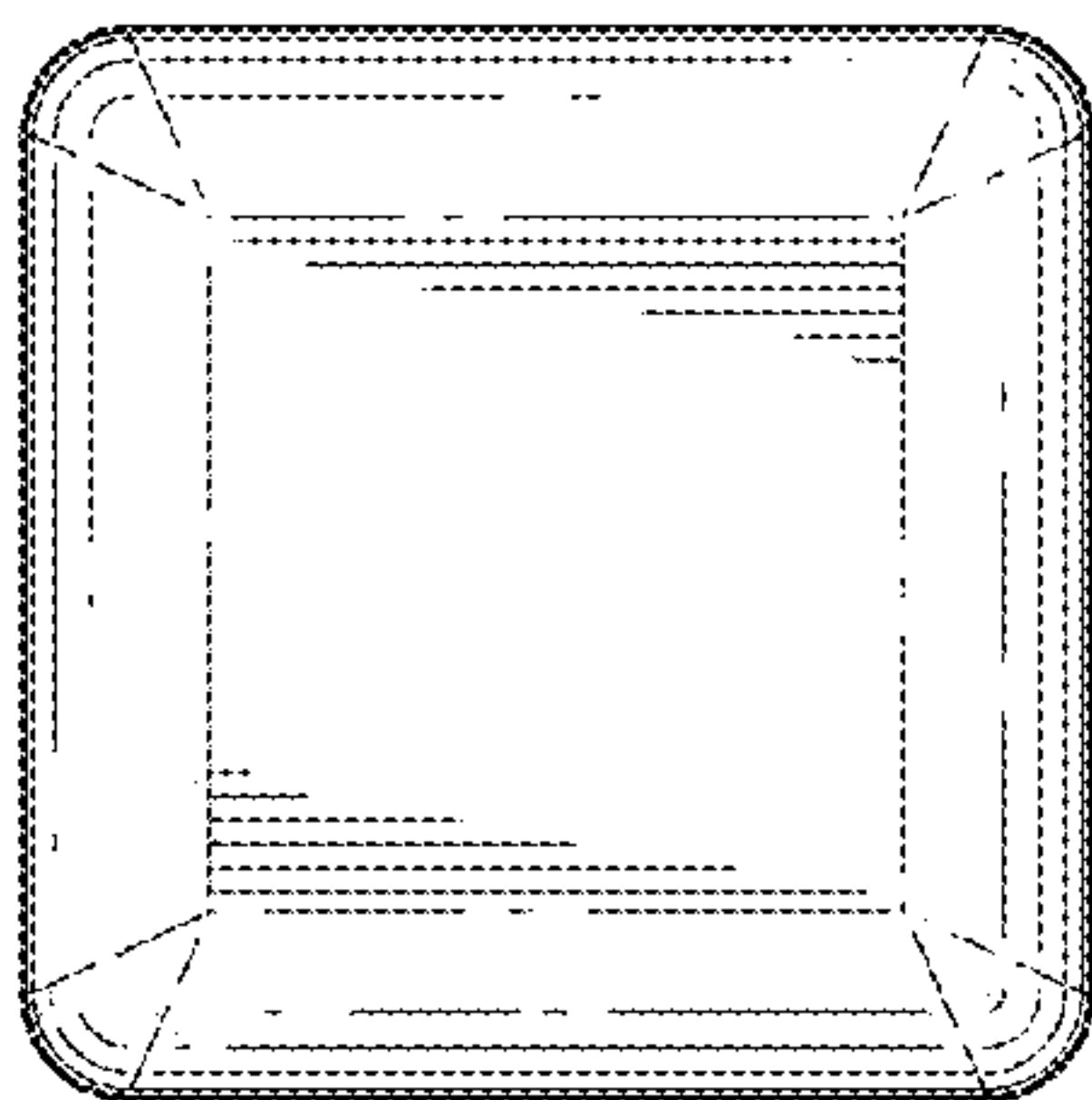


FIG. 6

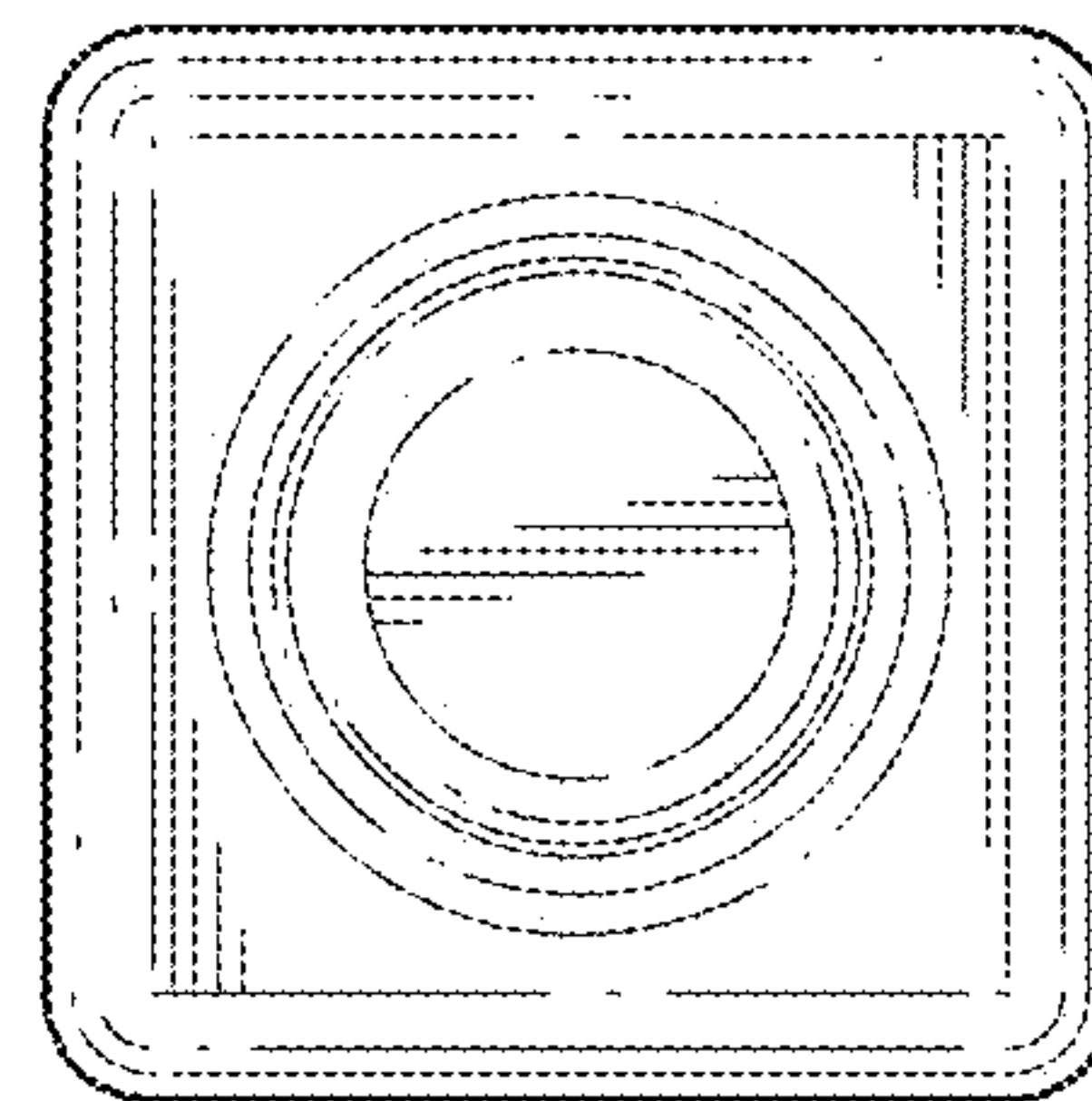


FIG. 7

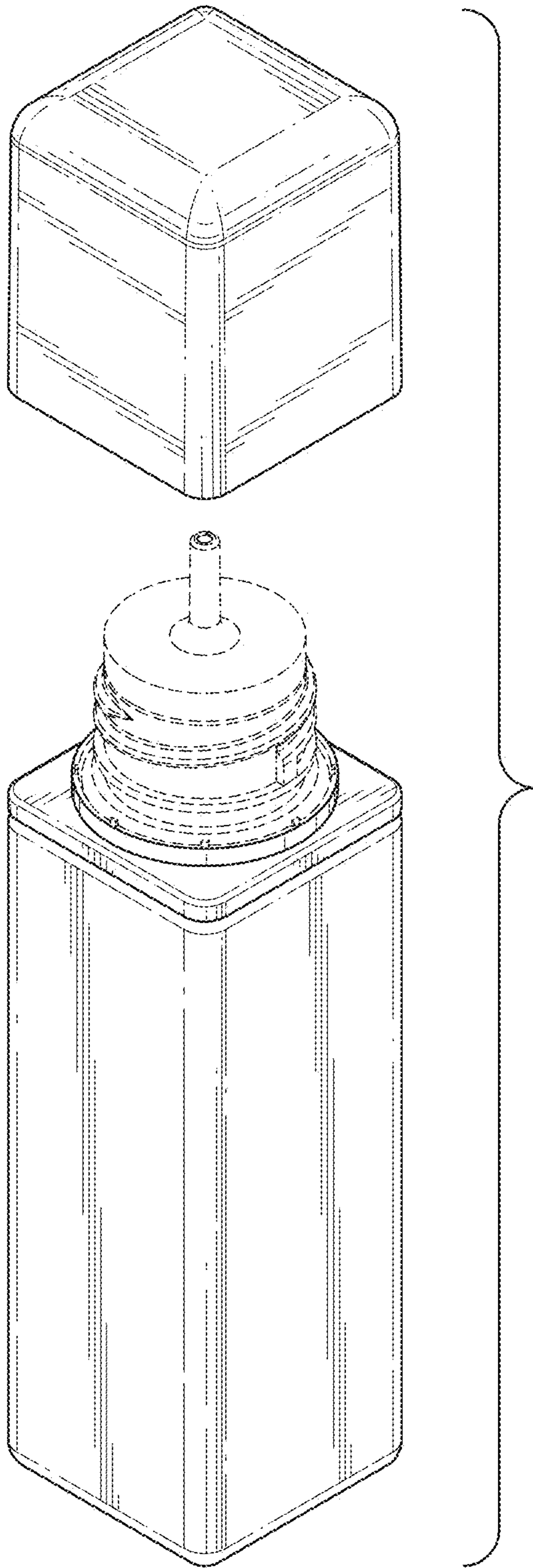


FIG. 8

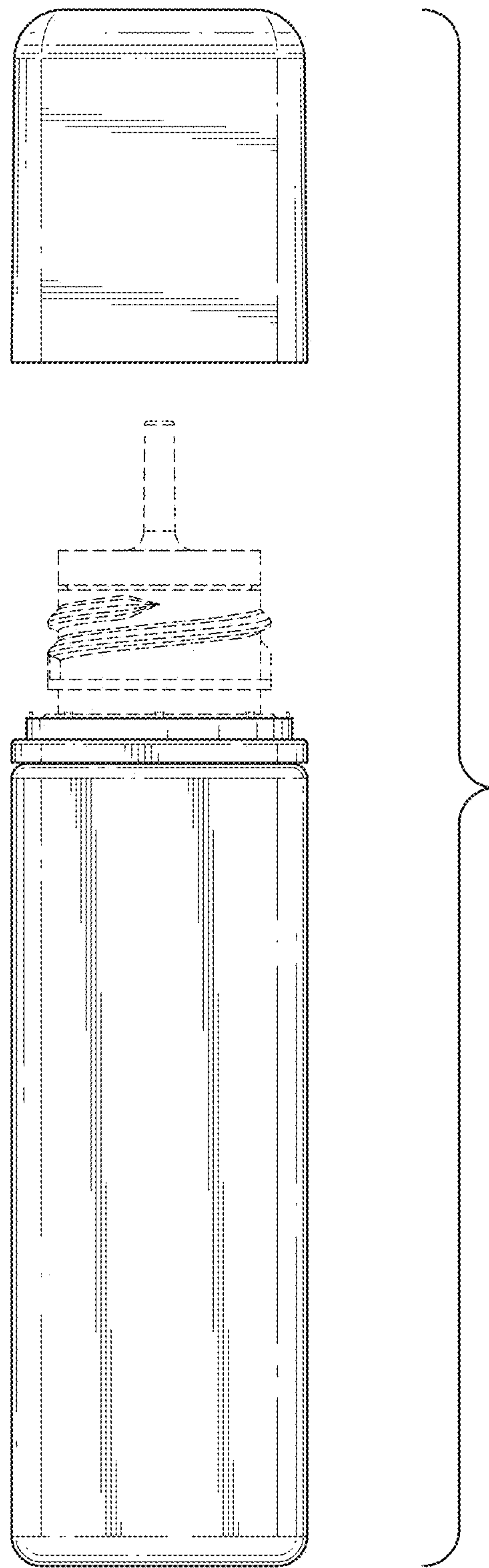
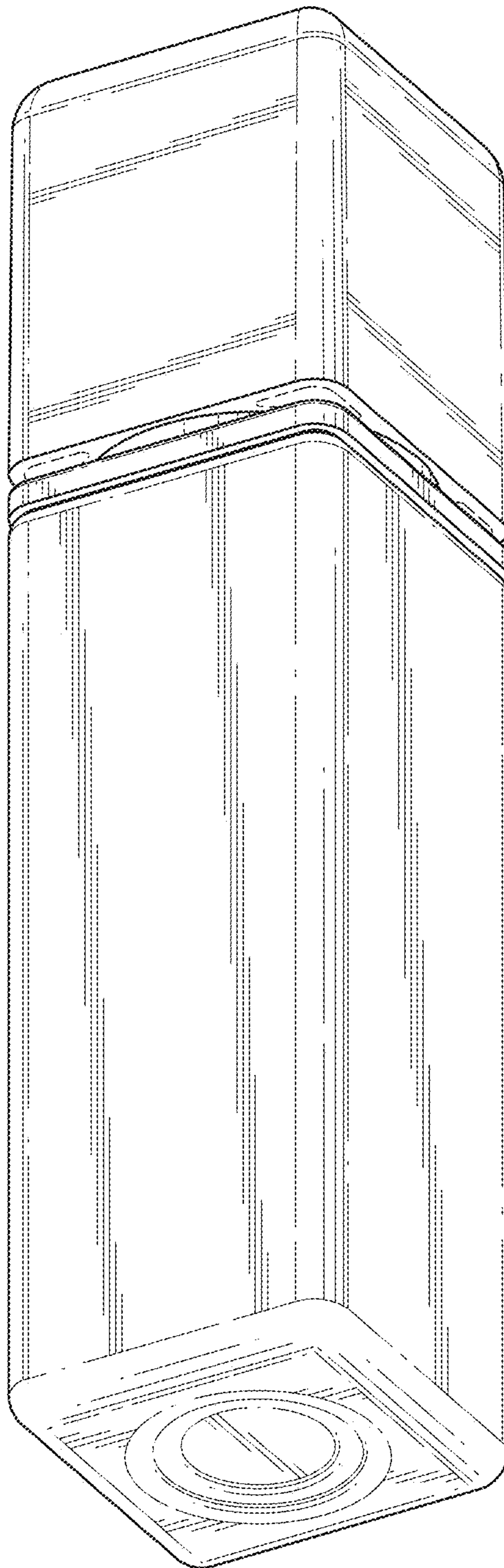


FIG. 9



*FIG. 10*



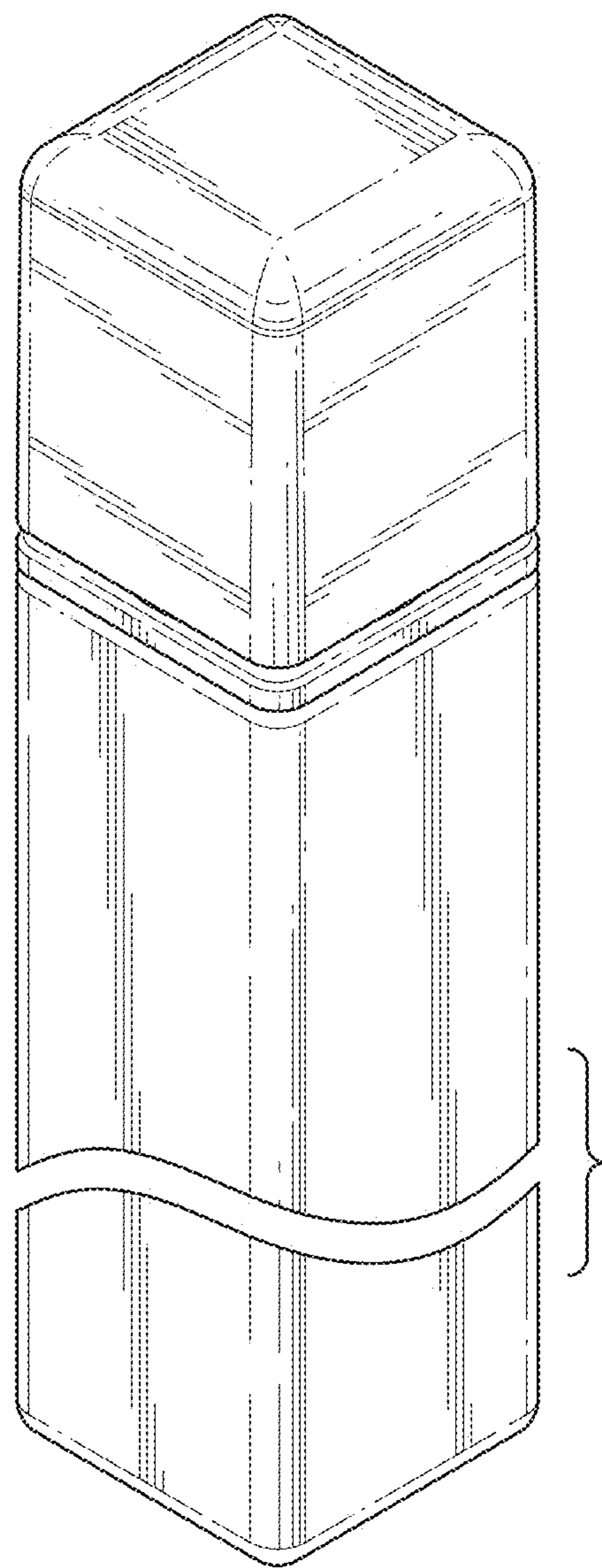


FIG. 11



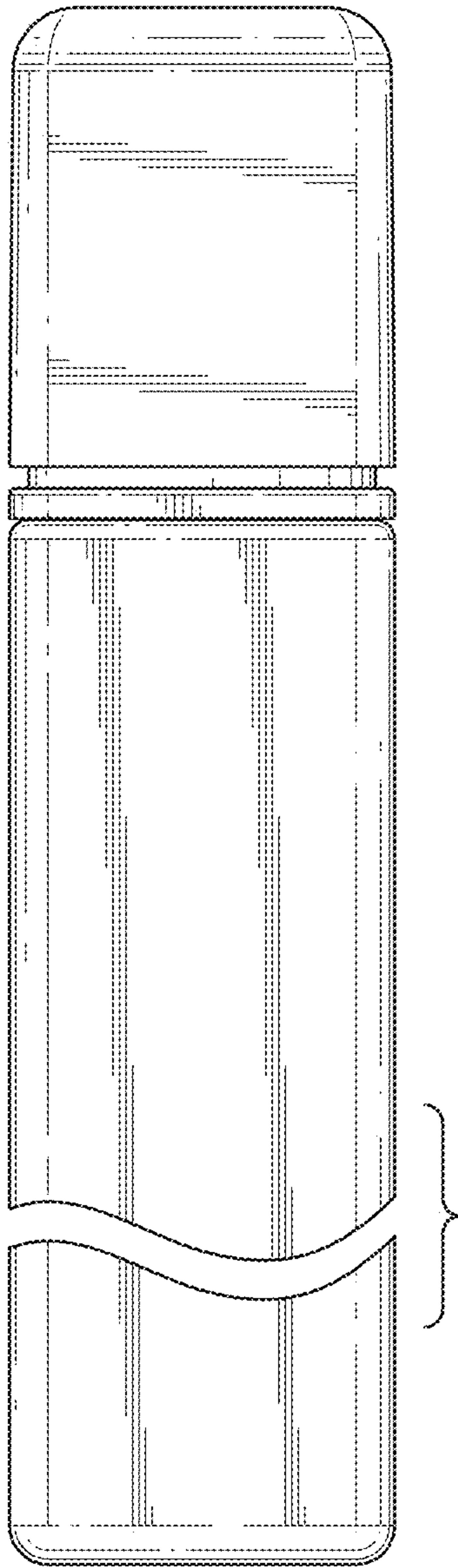


FIG. 12

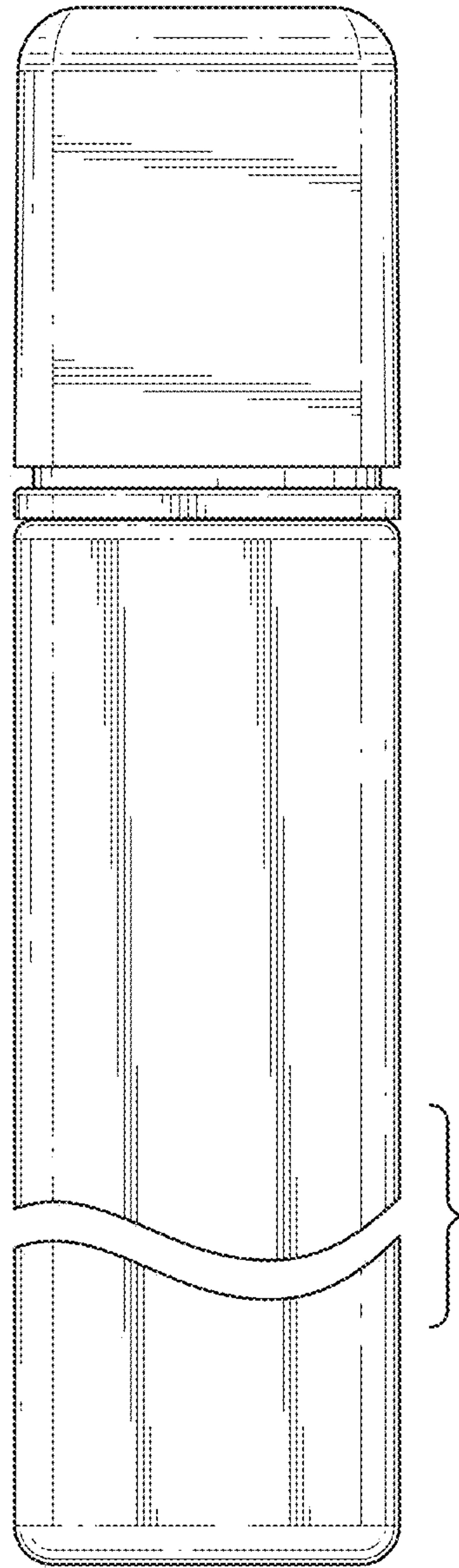


FIG. 13

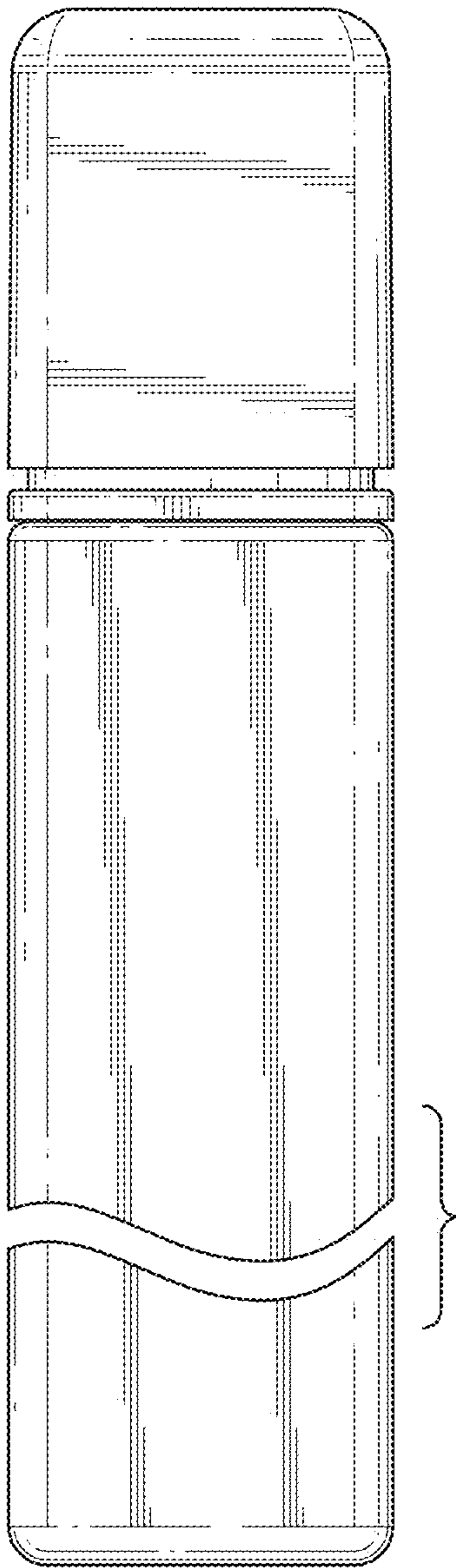


FIG. 14

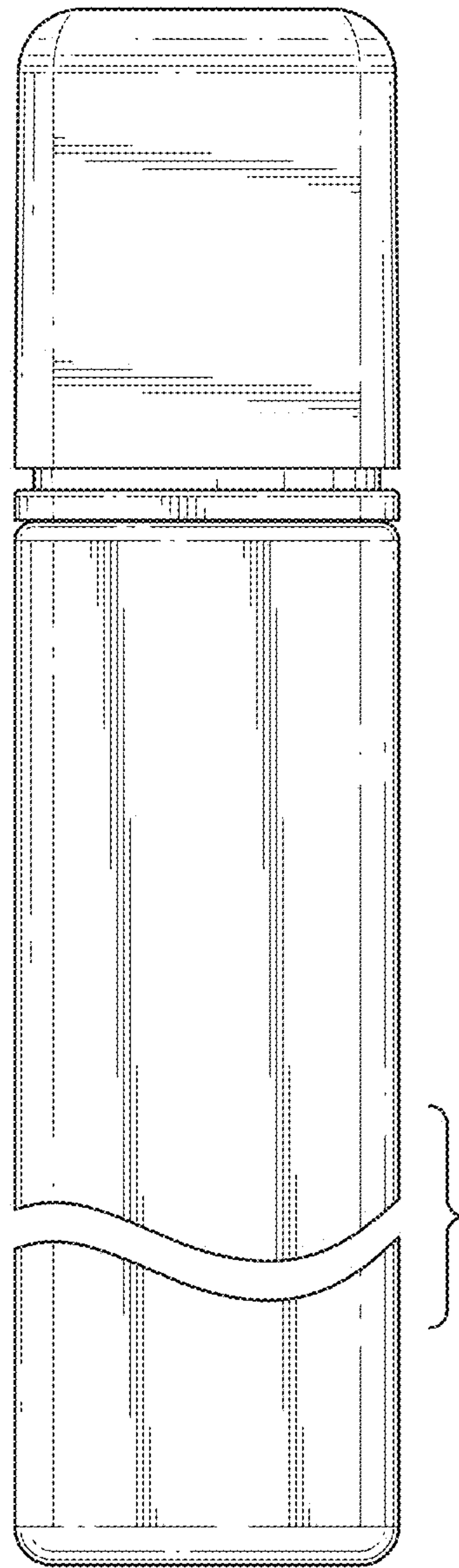


FIG. 15

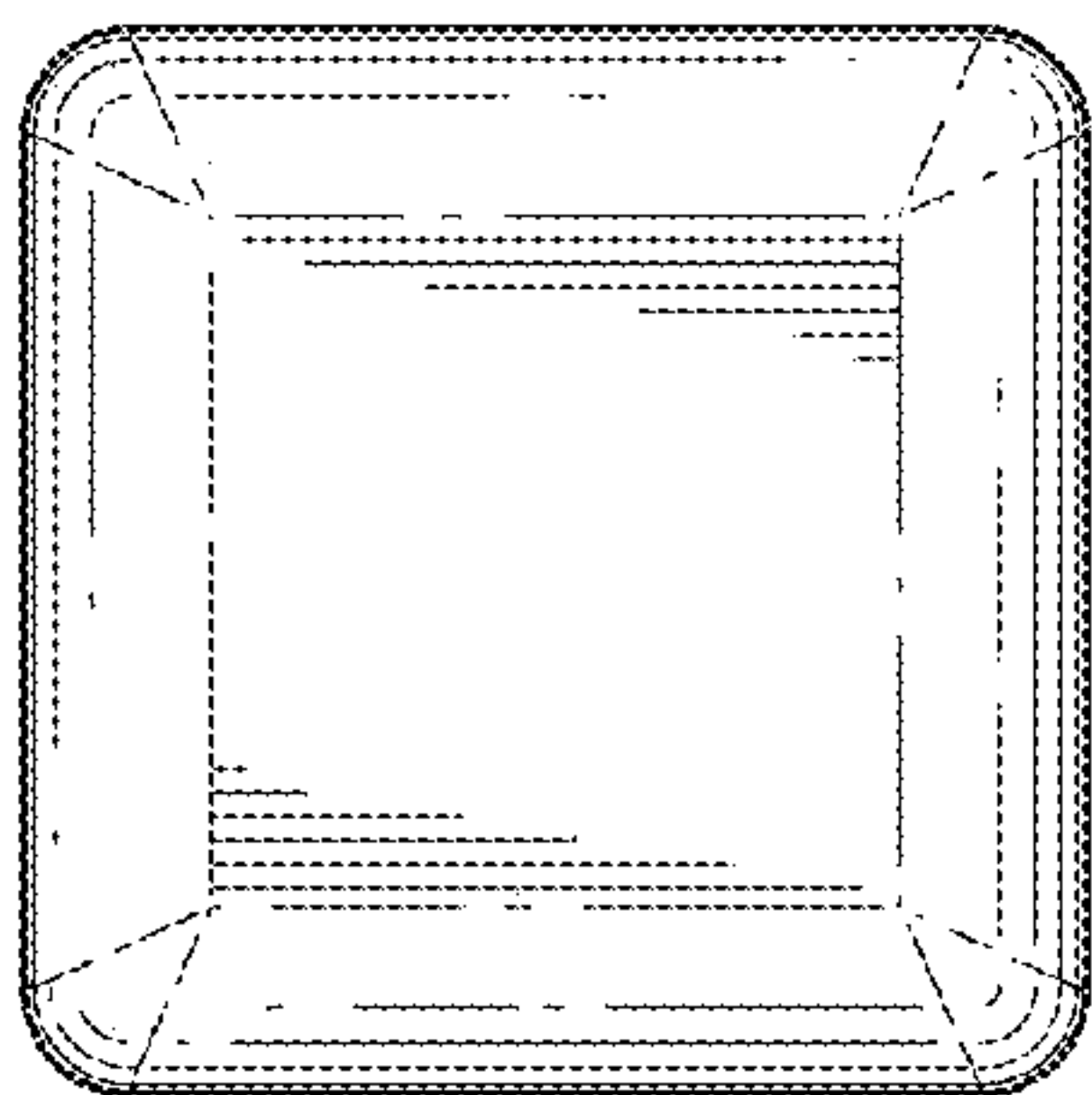


FIG. 16

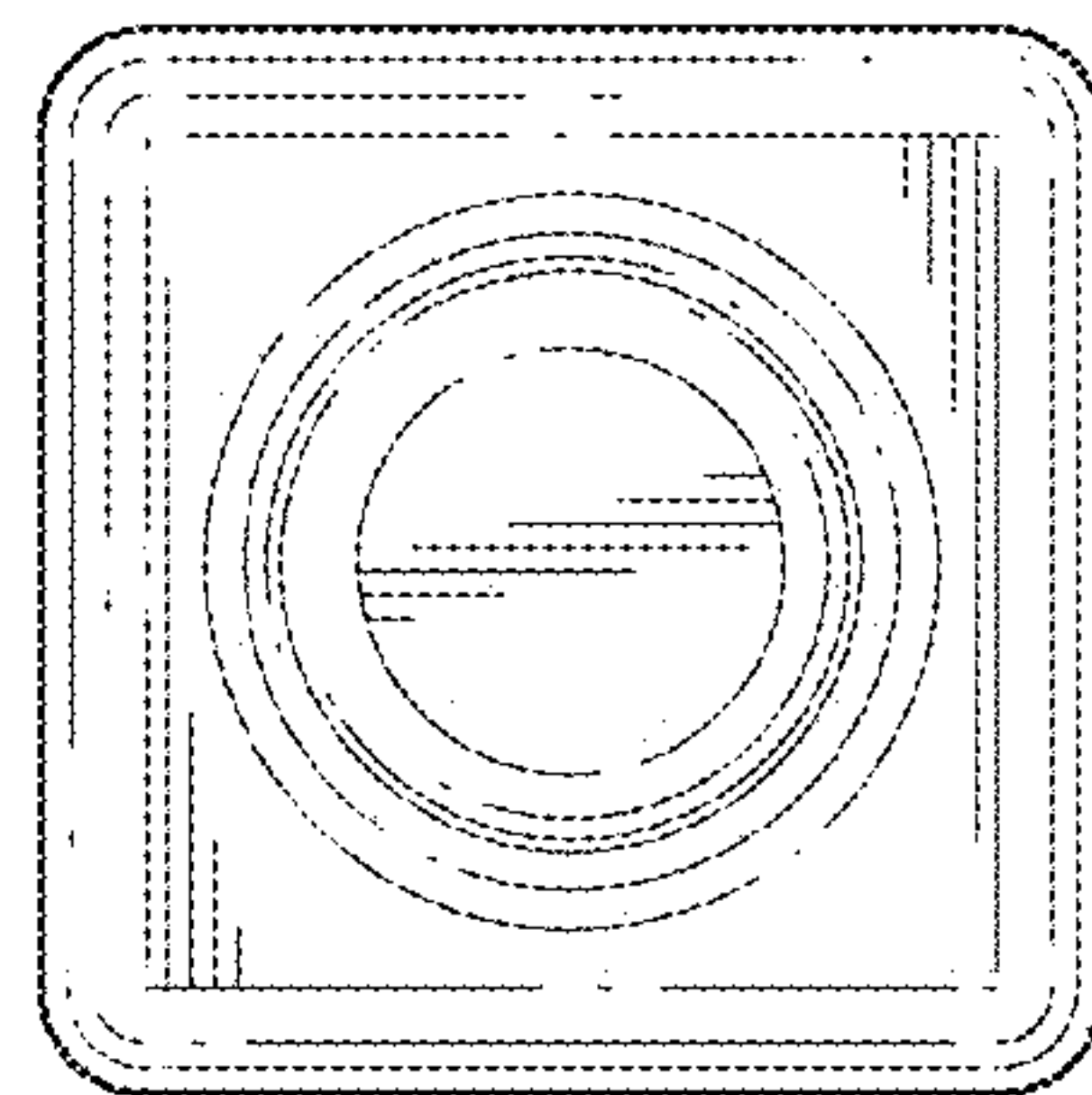


FIG. 17

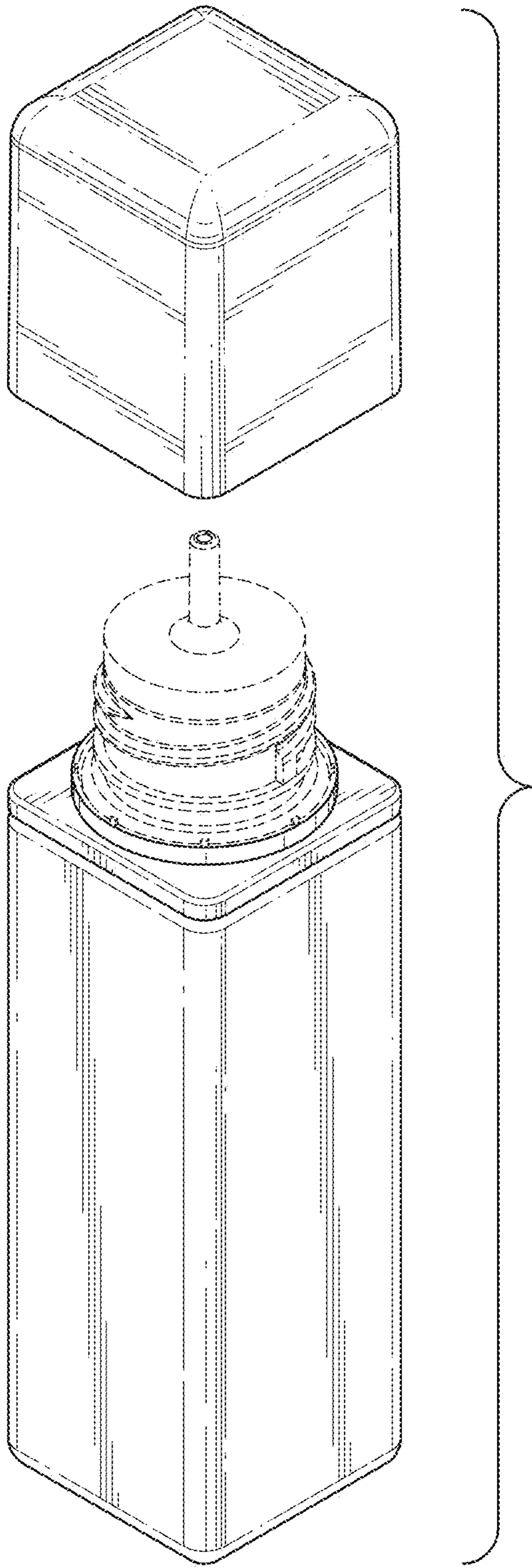


FIG. 18

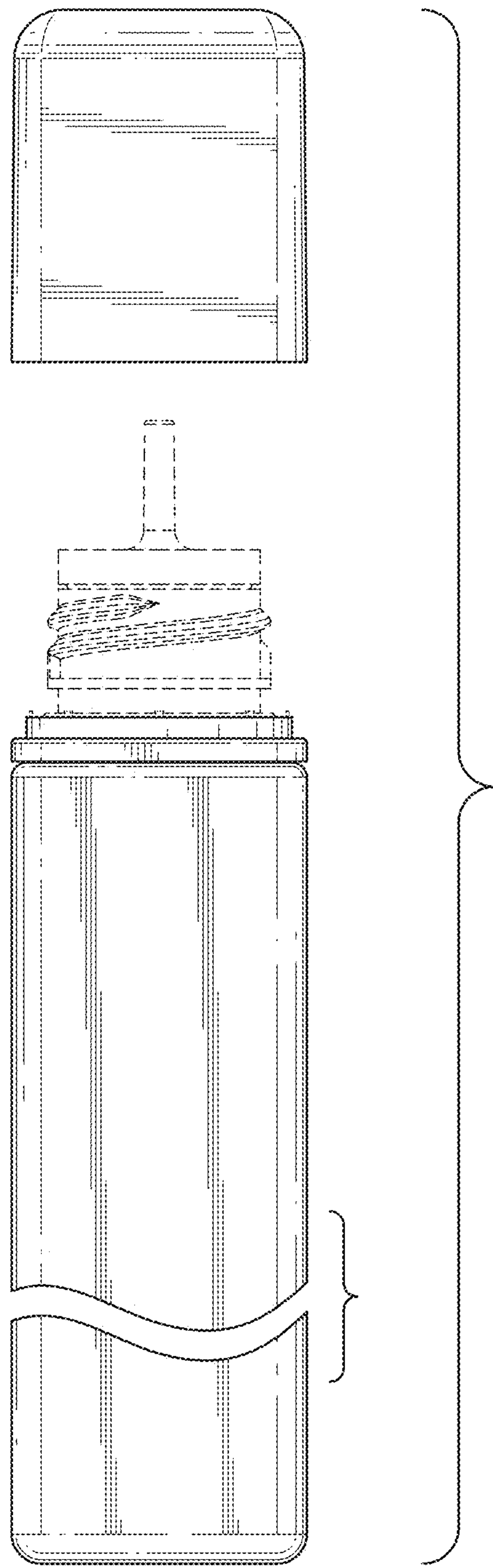


FIG. 19



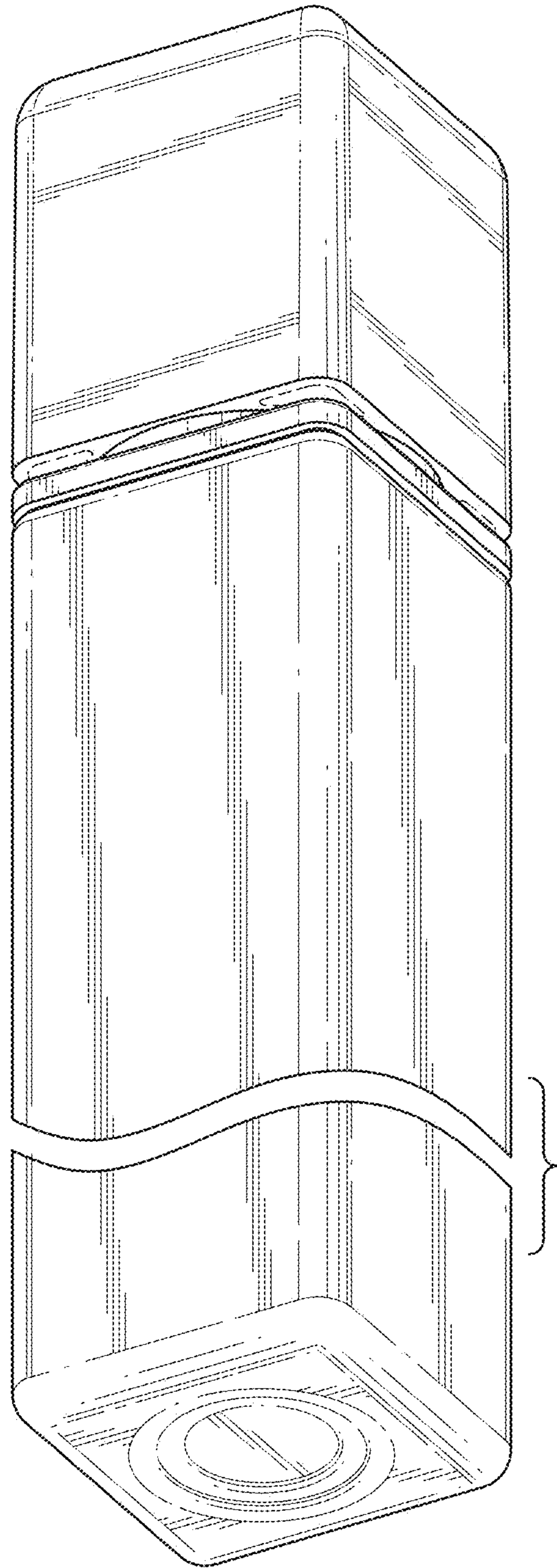
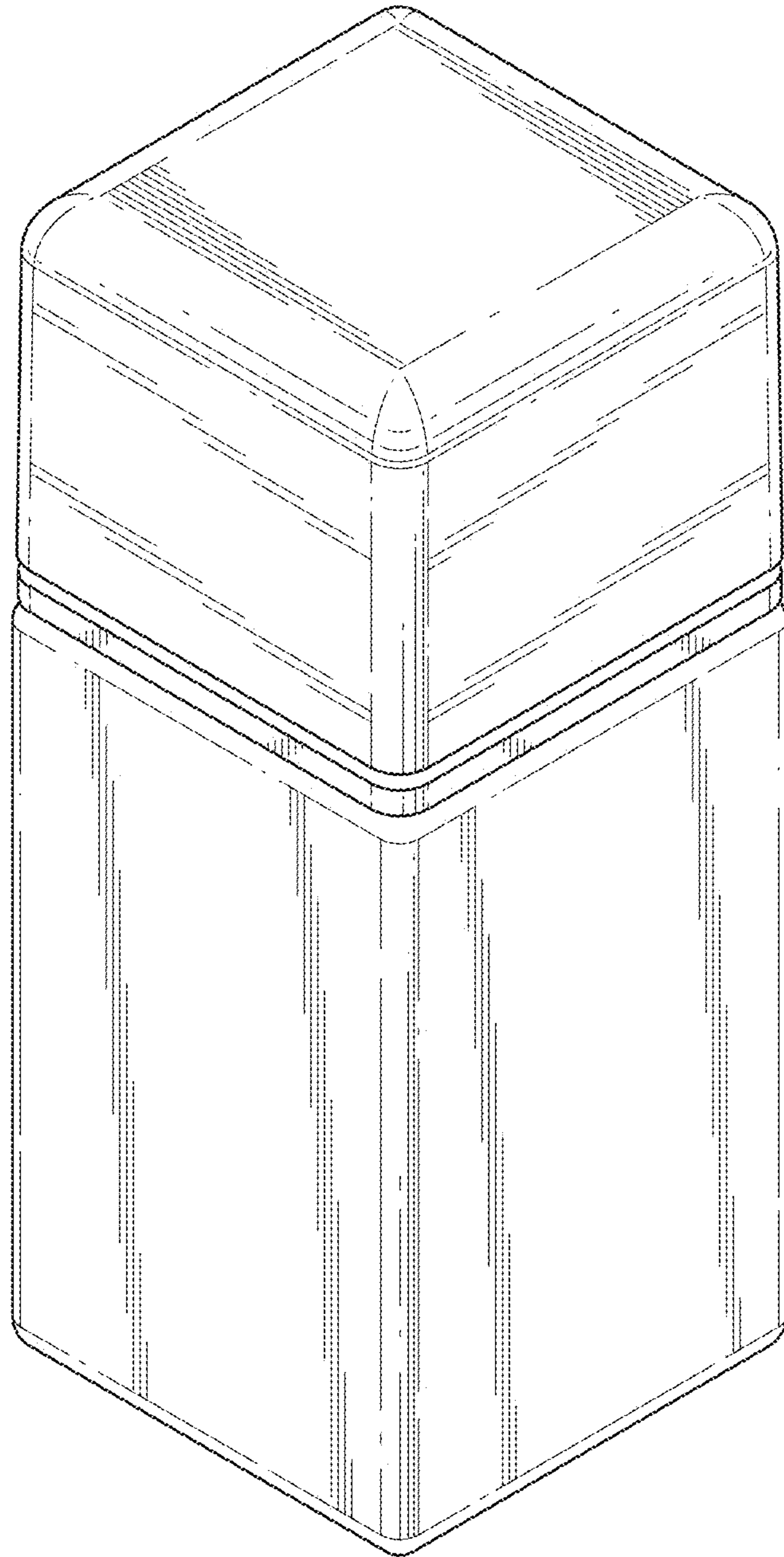
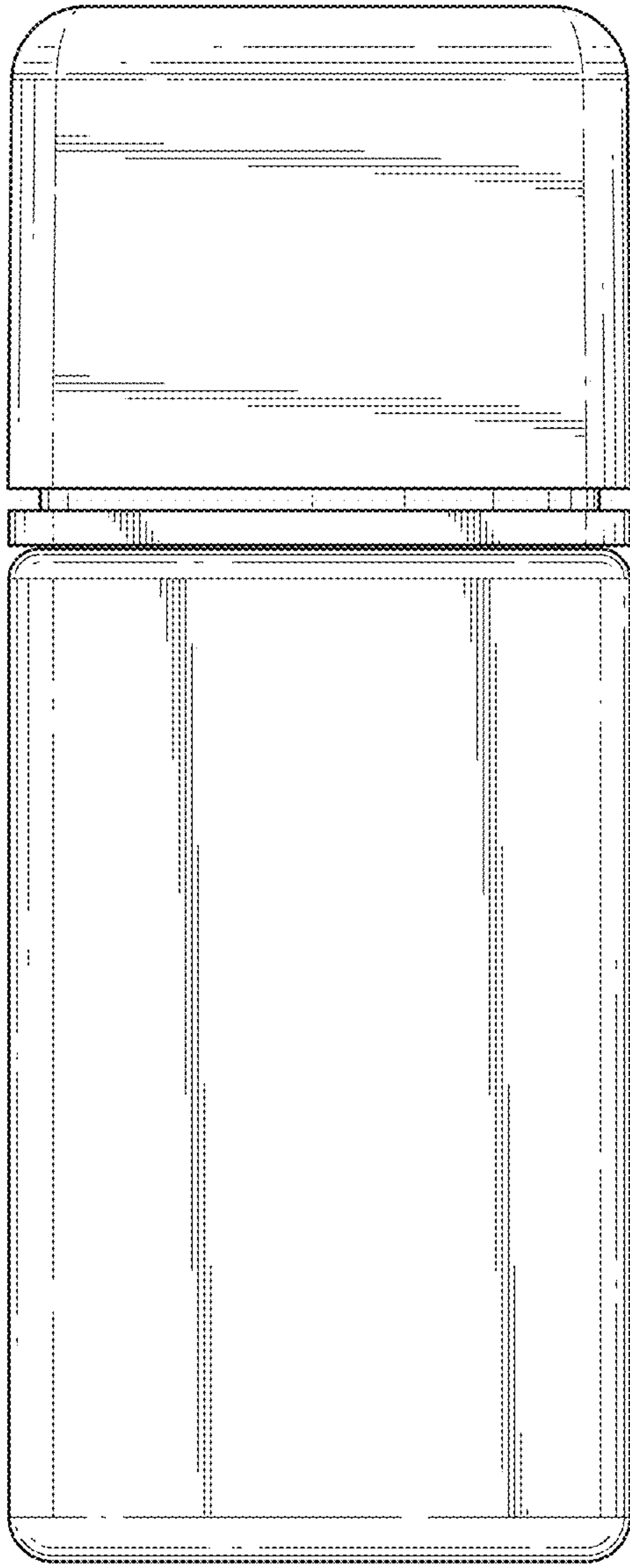


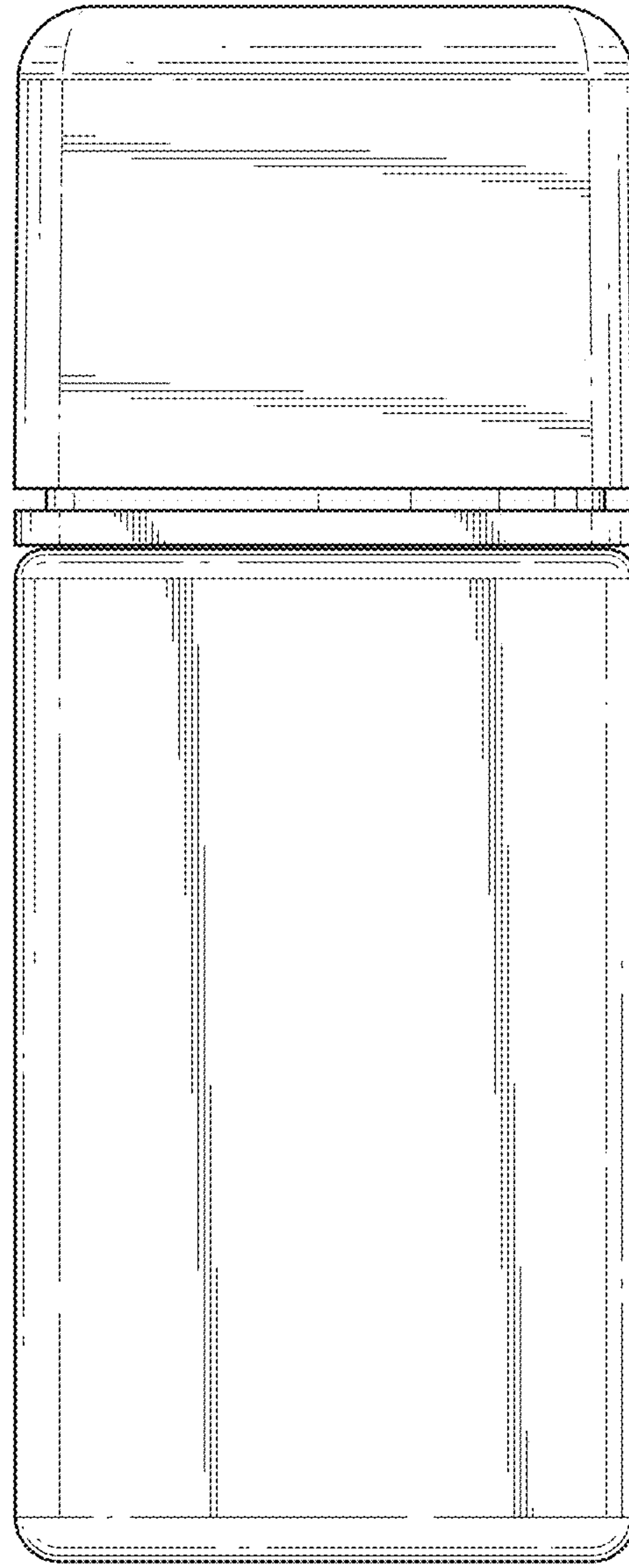
FIG. 20



*FIG. 21*



*FIG. 22*



*FIG. 23*



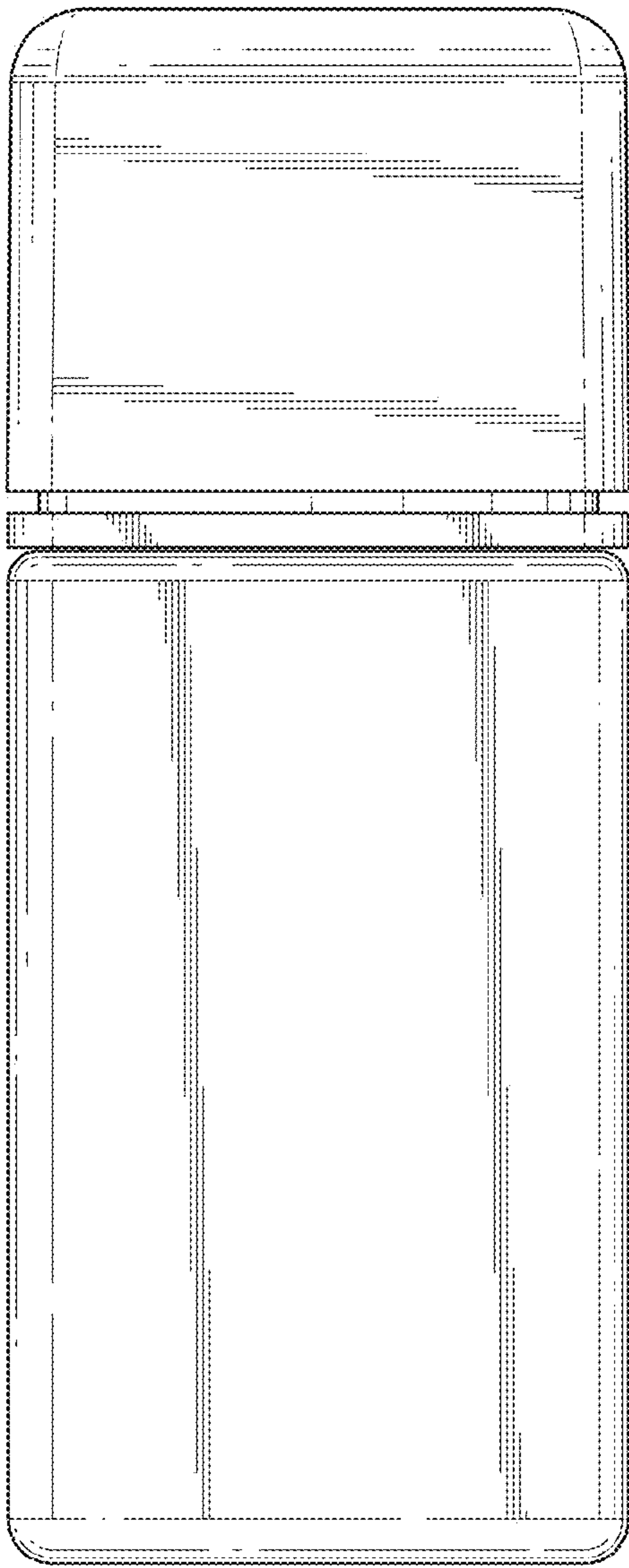


FIG. 24

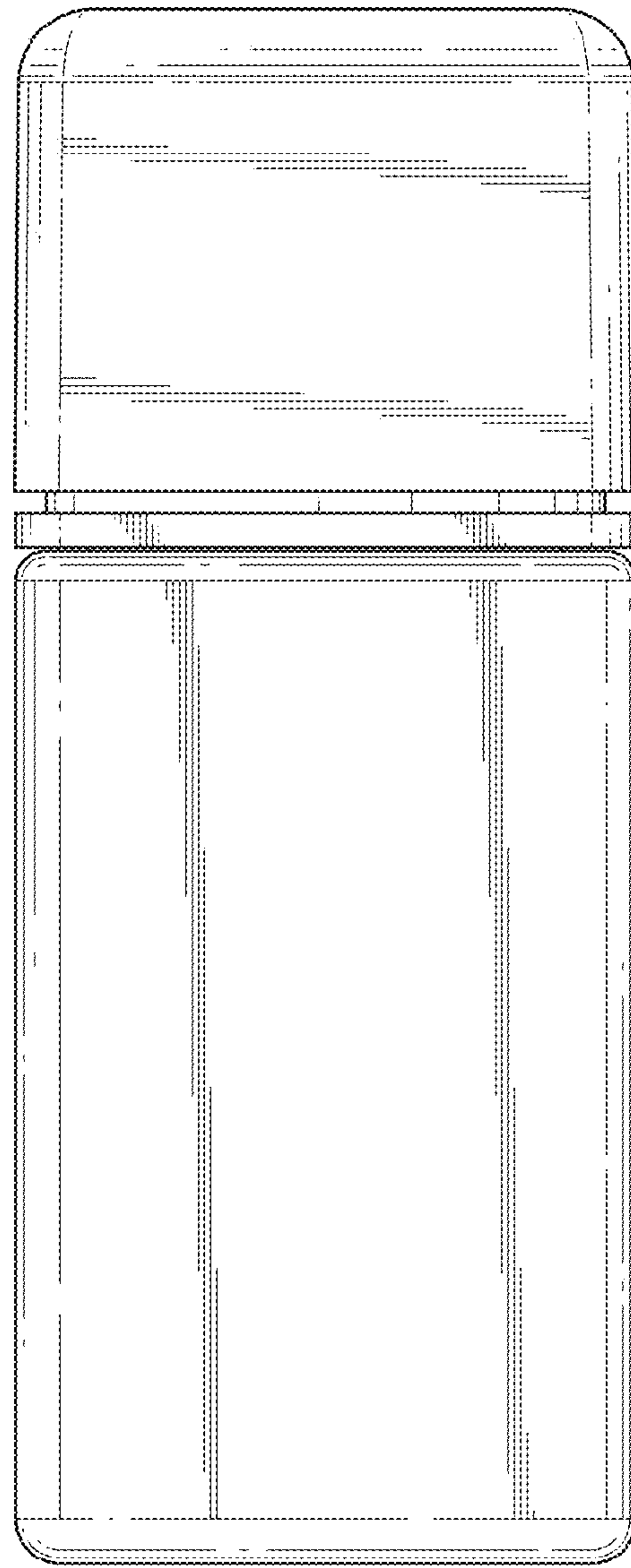


FIG. 25

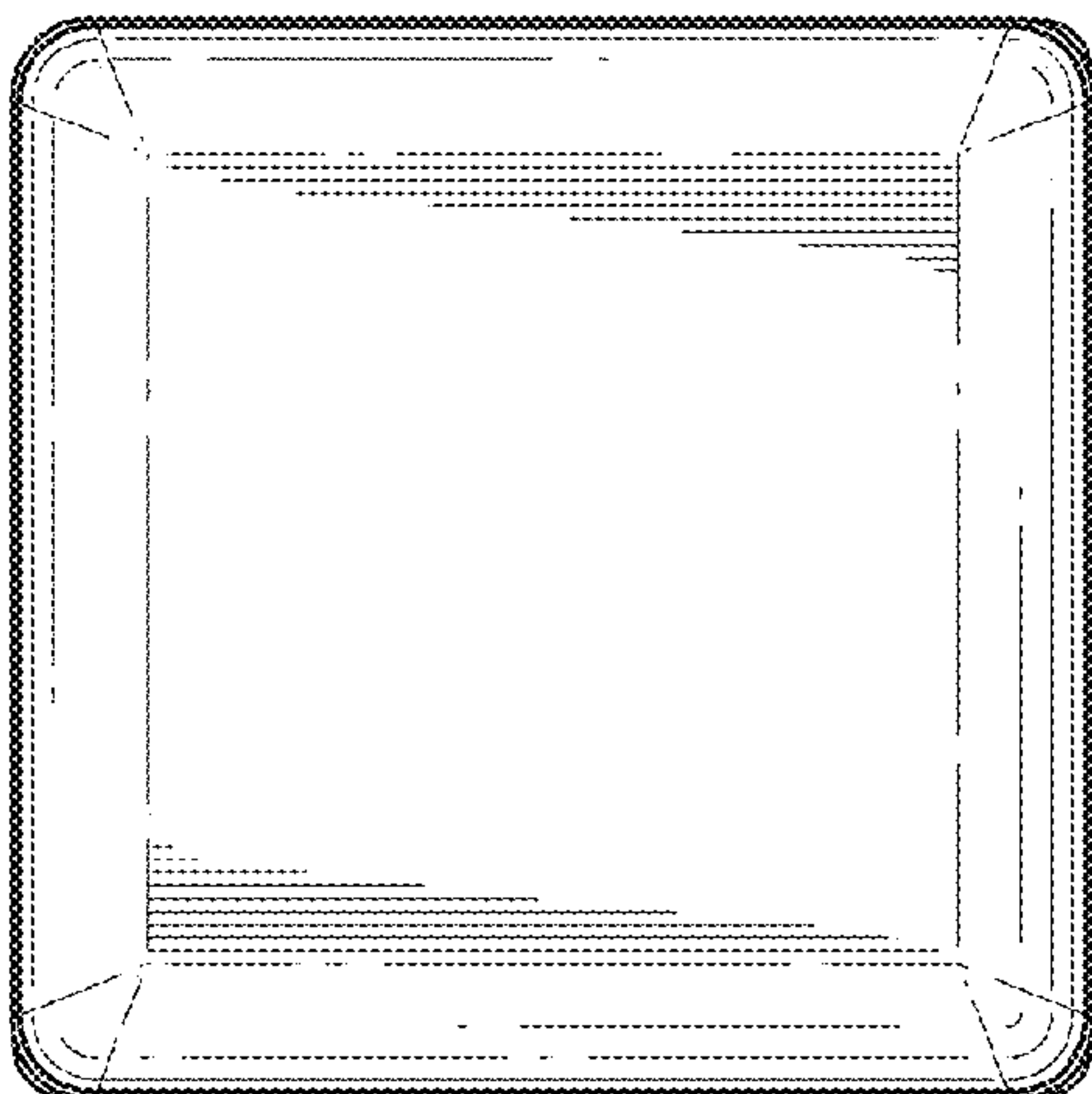


FIG. 26

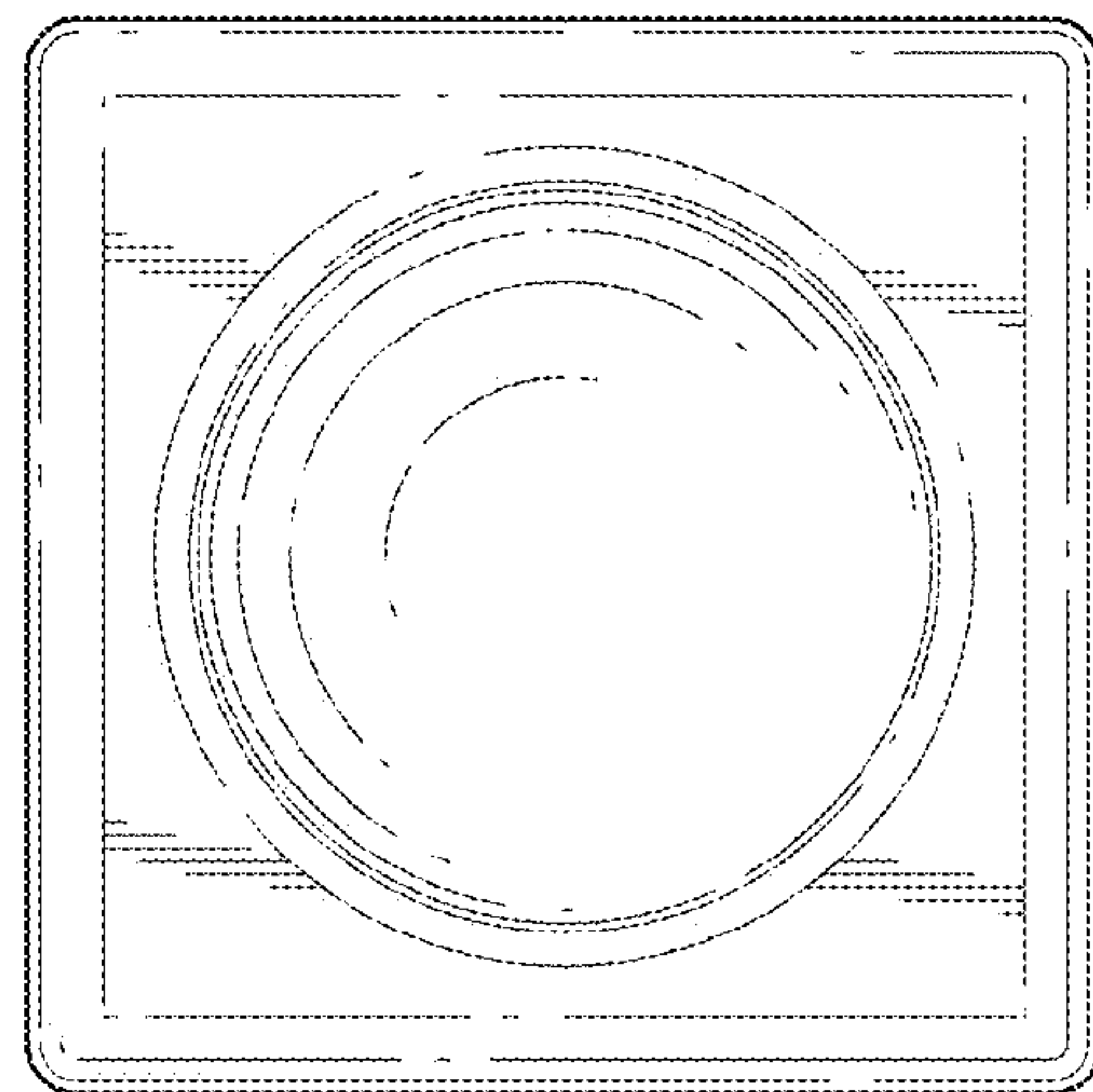


FIG. 27

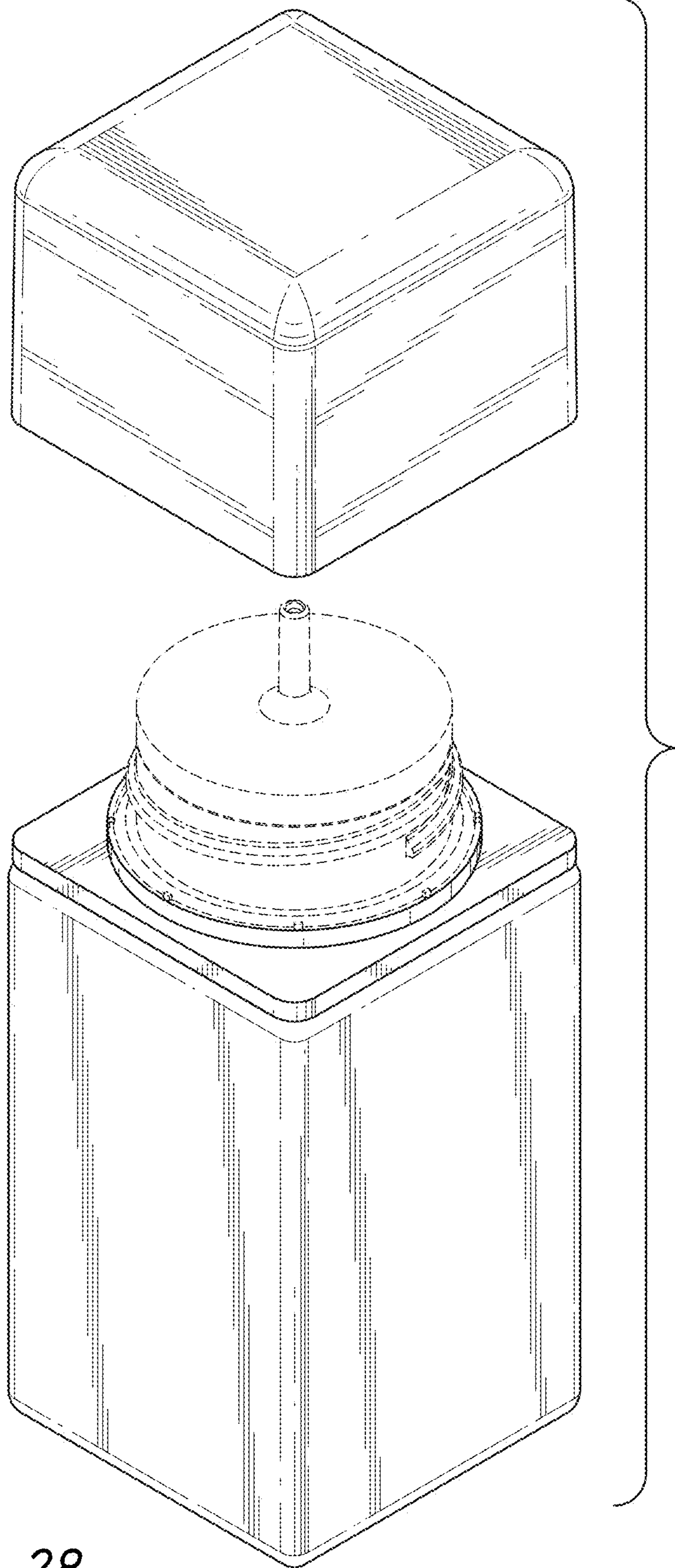


FIG. 28

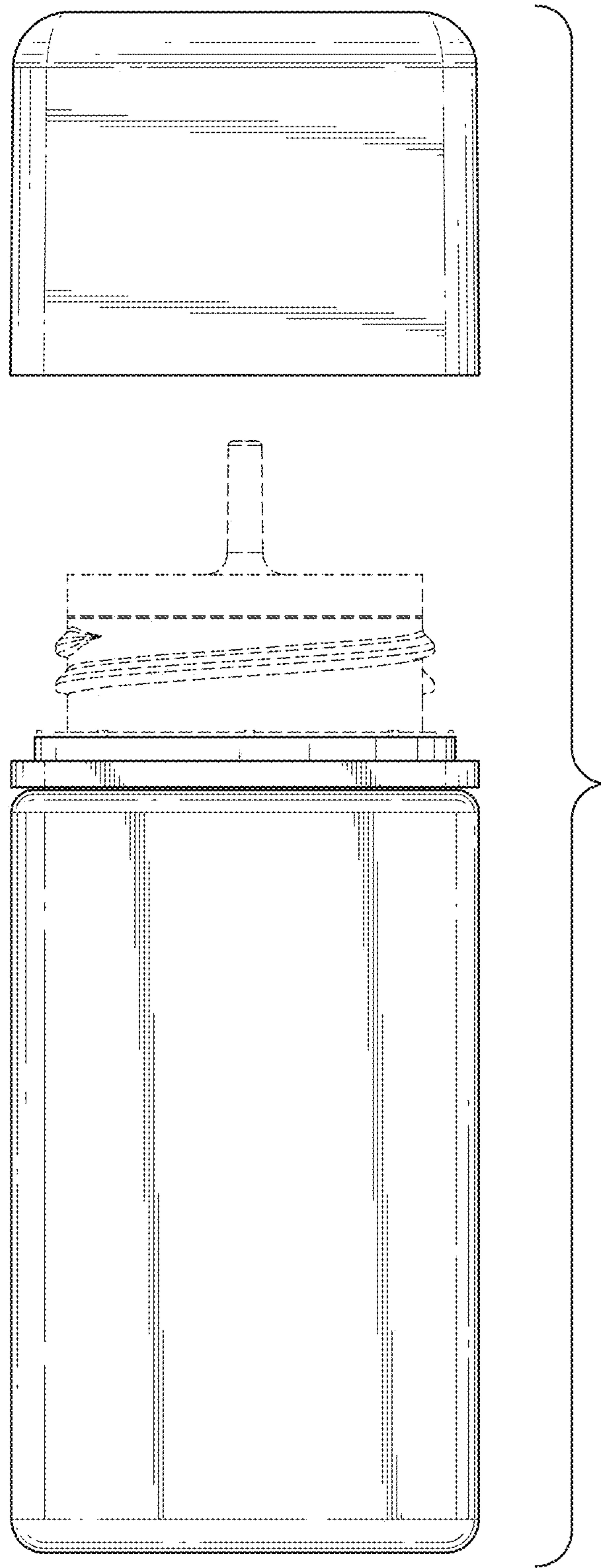
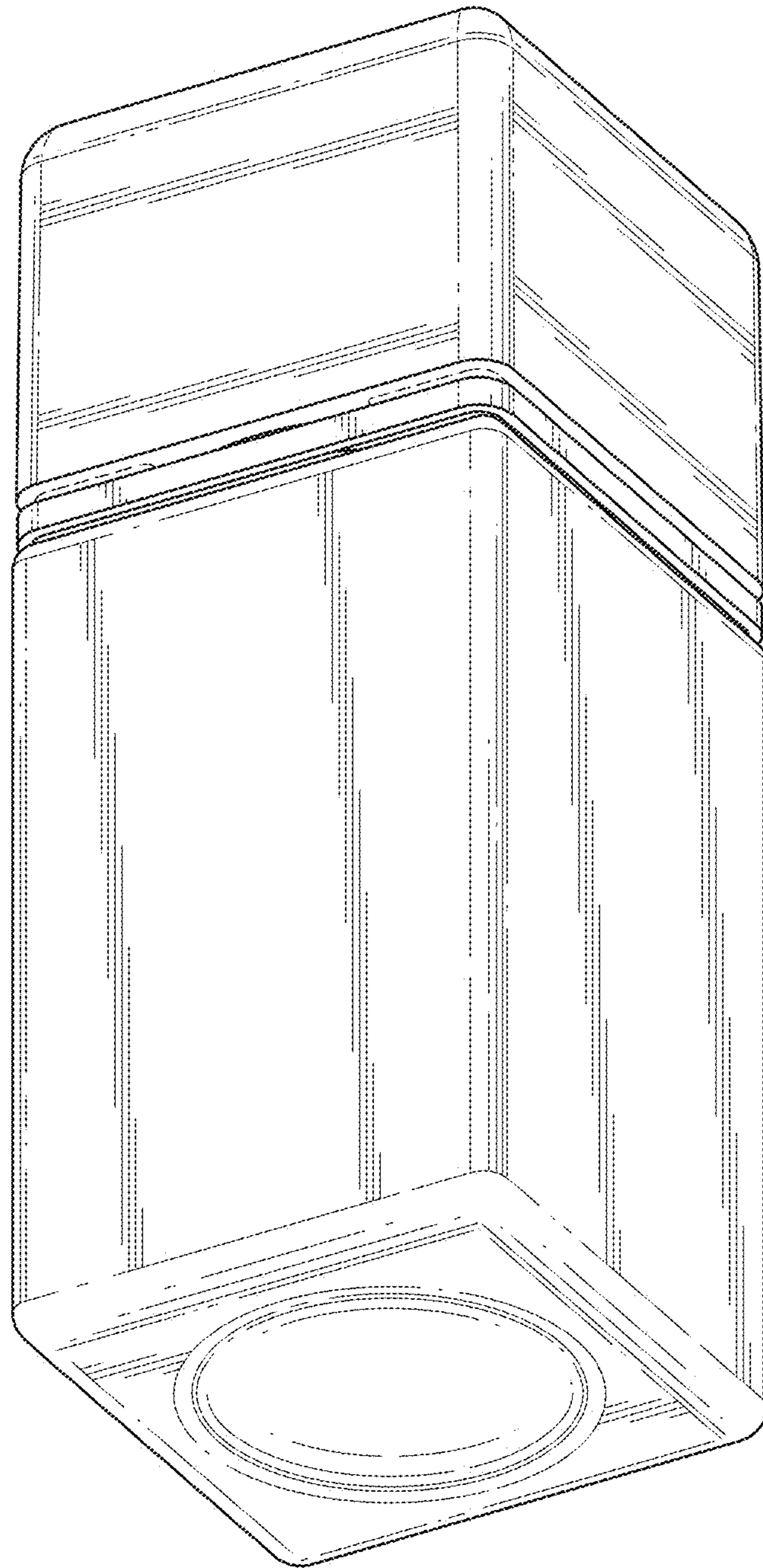


FIG. 29





*FIG. 30*

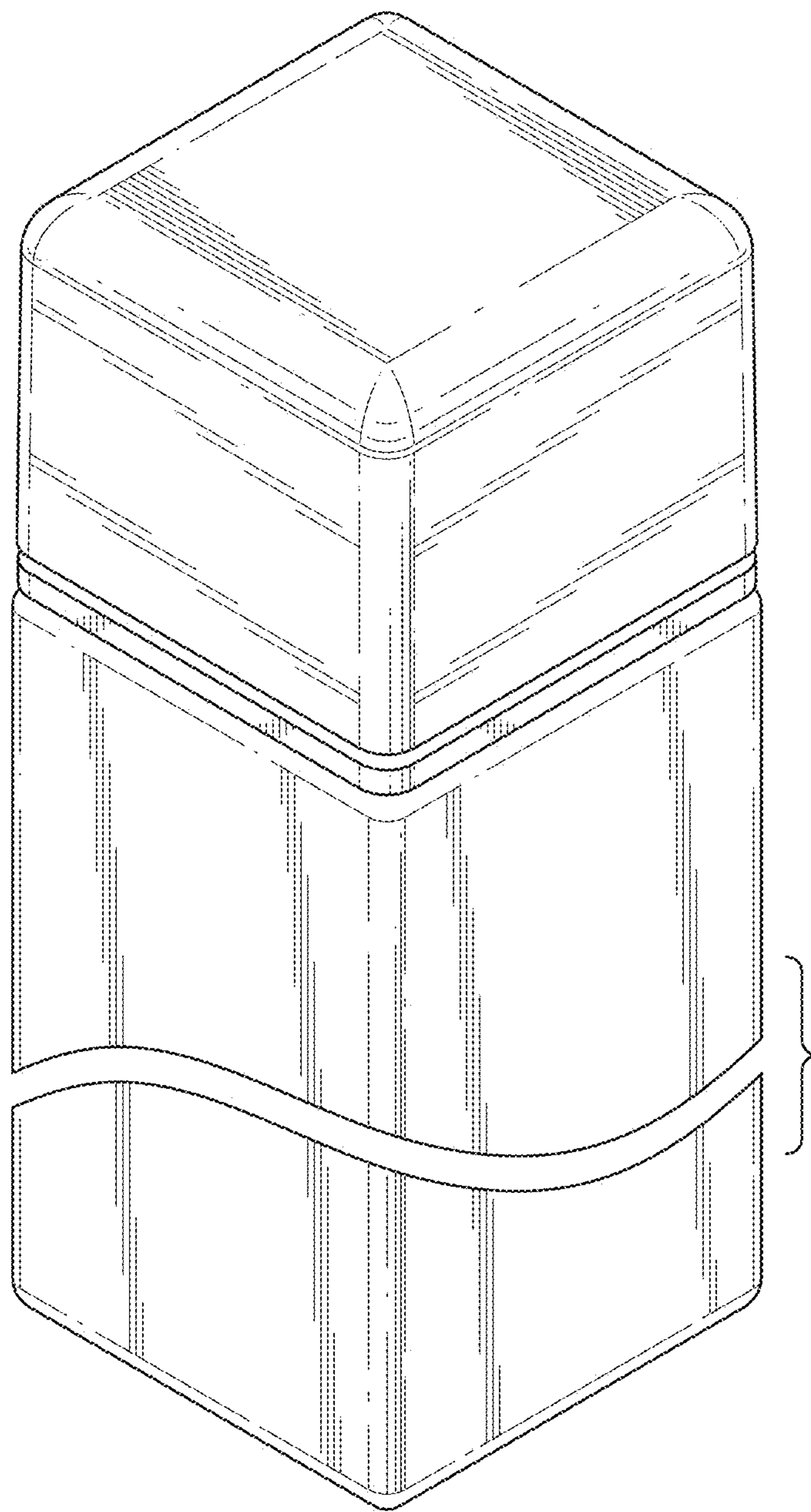


FIG. 31

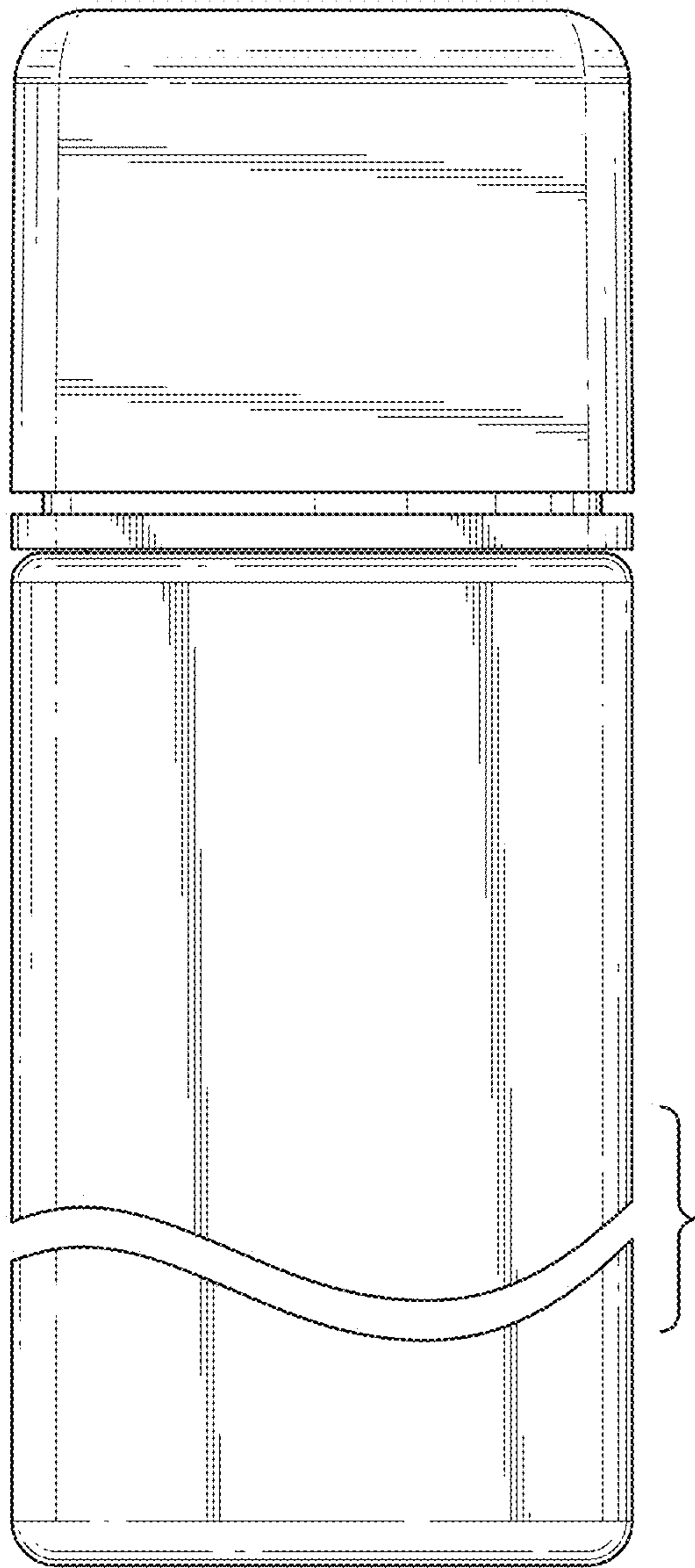


FIG. 32

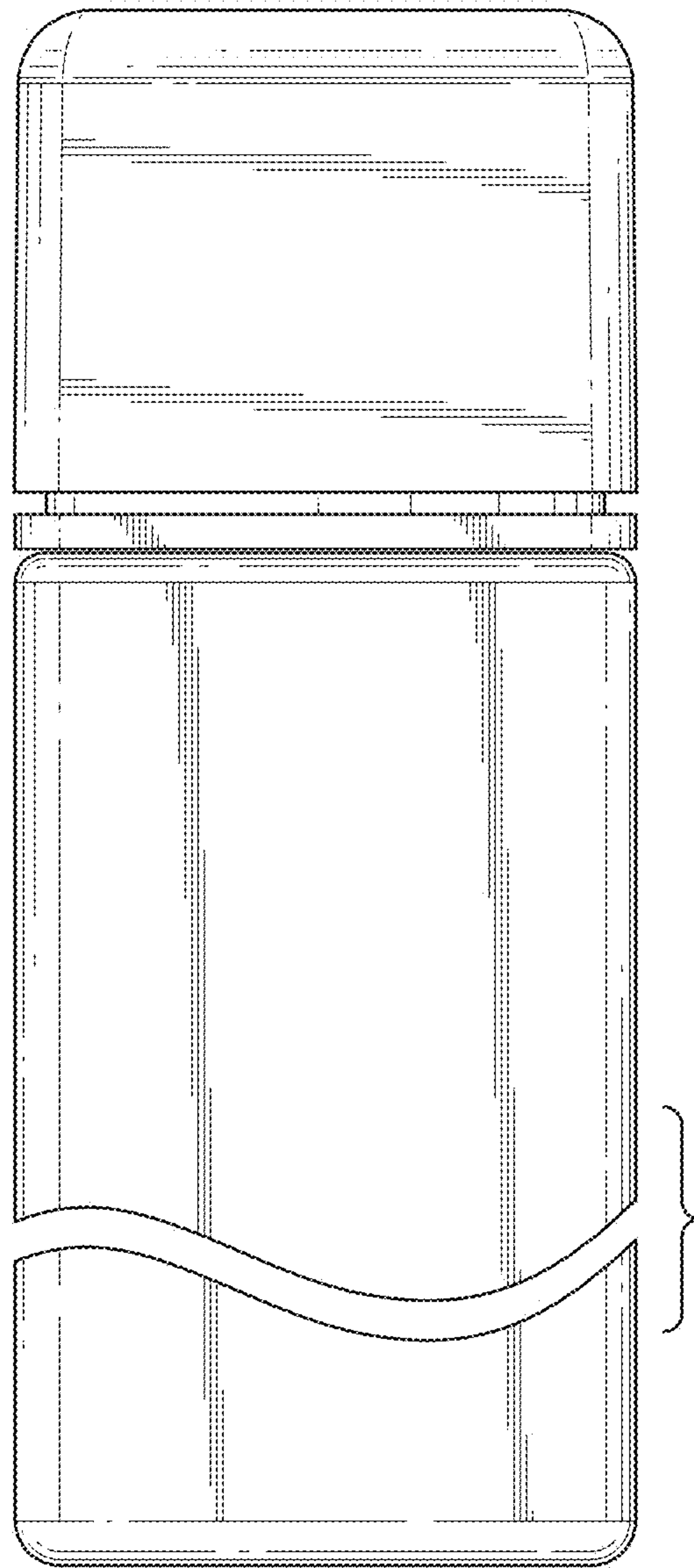


FIG. 33



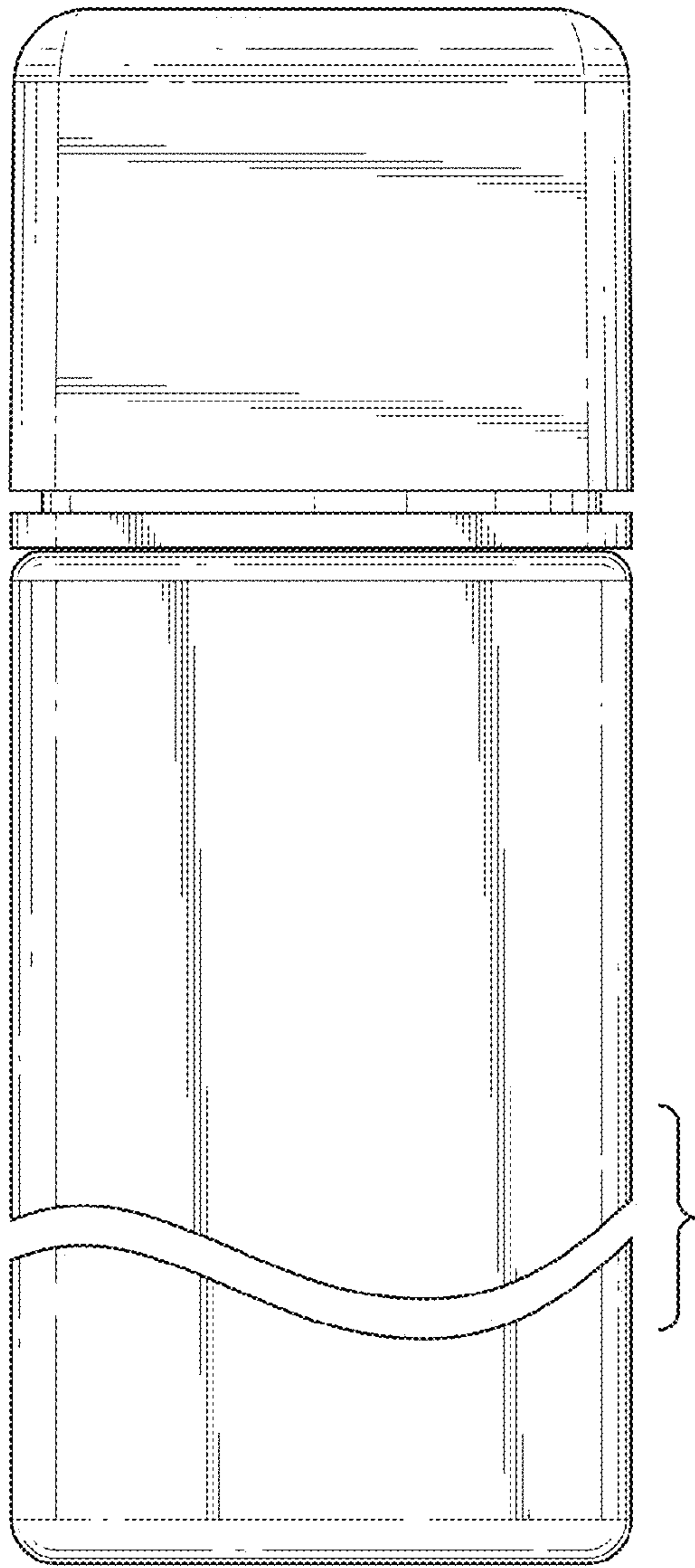


FIG. 34

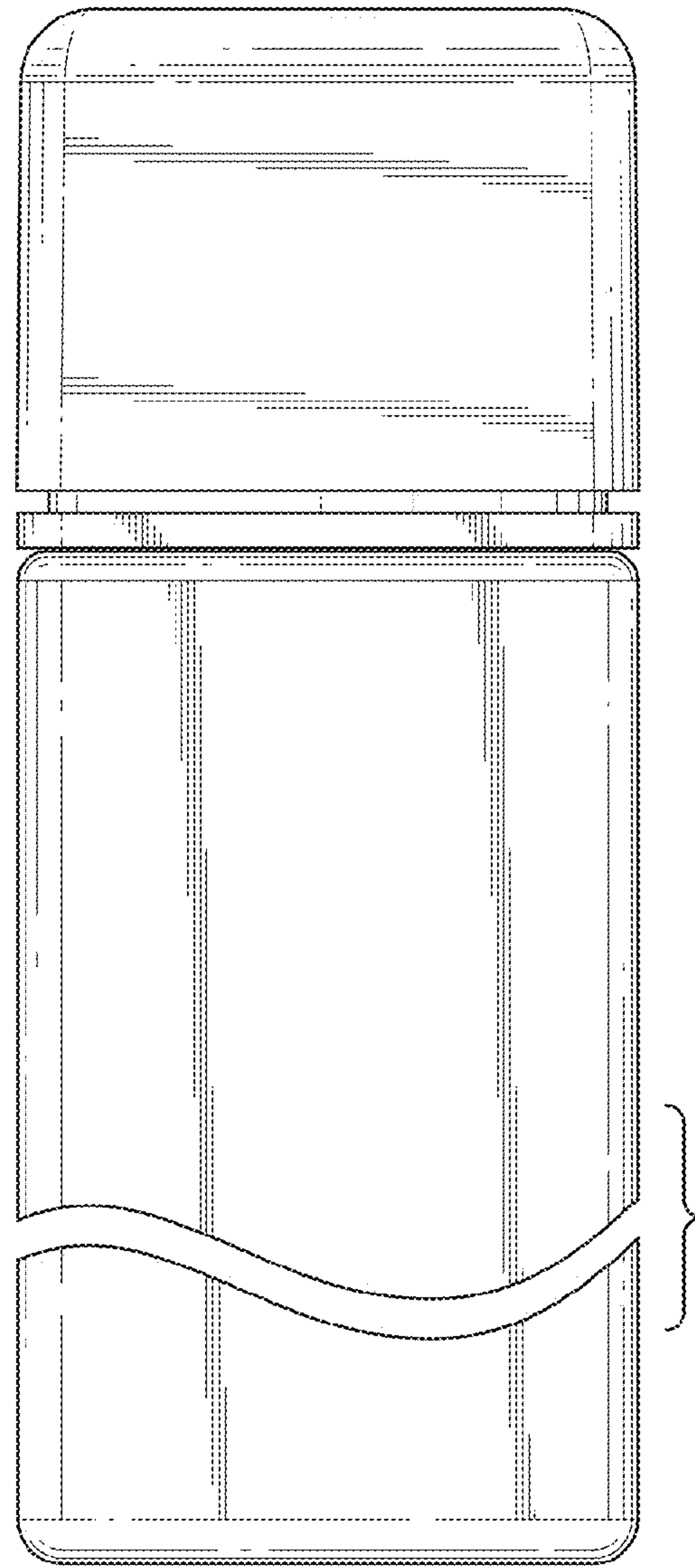


FIG. 35

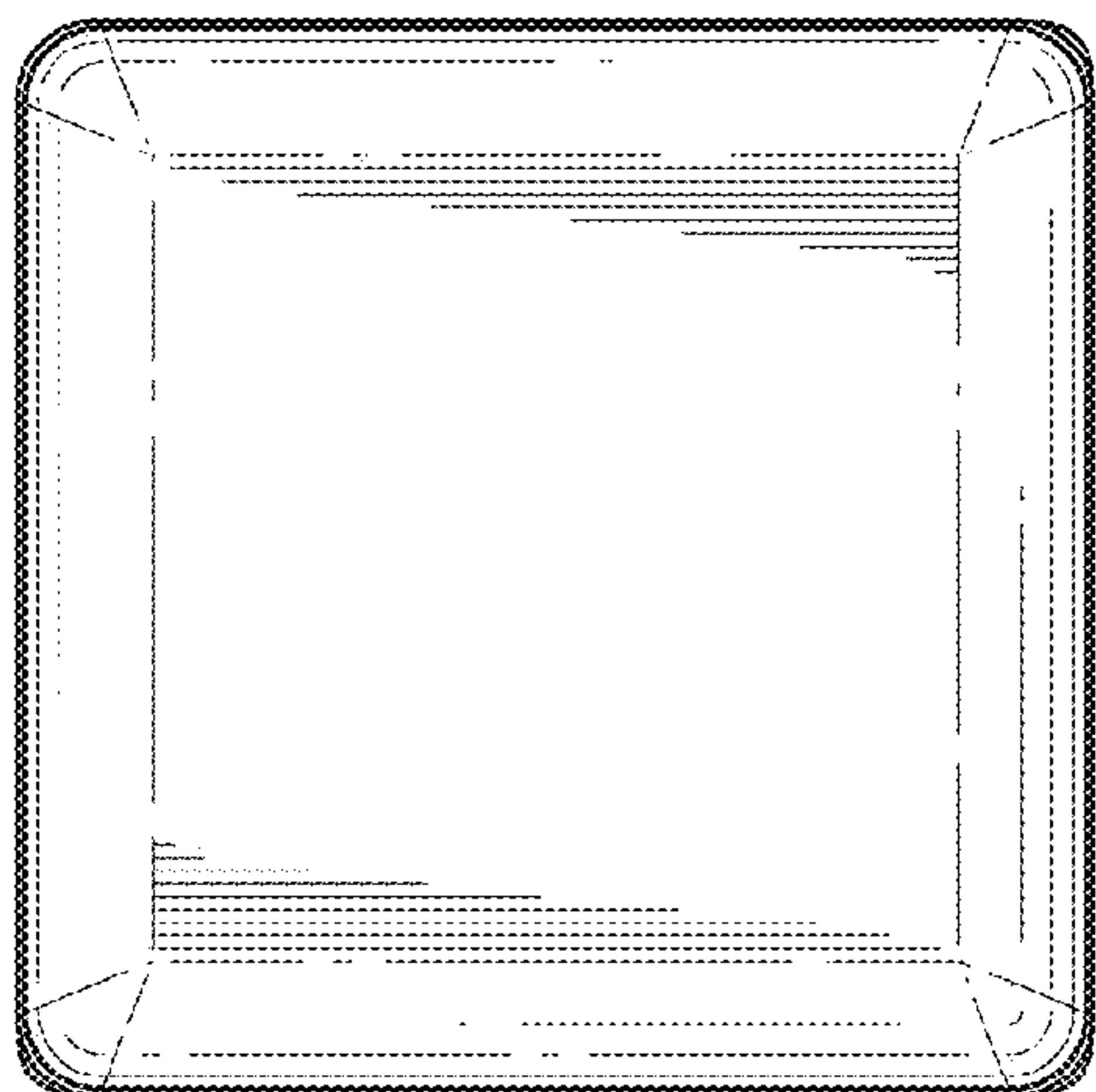


FIG. 36

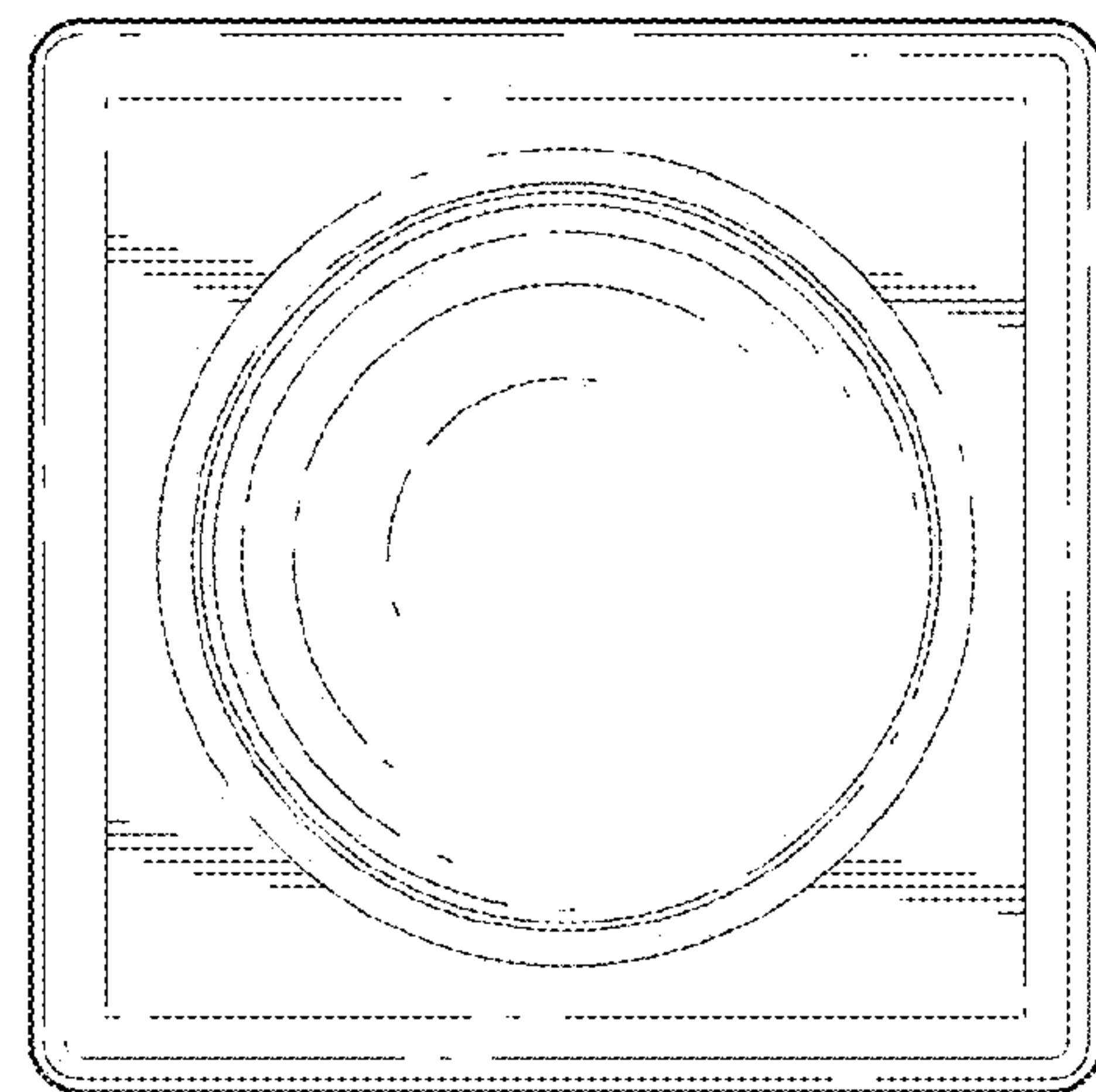


FIG. 37

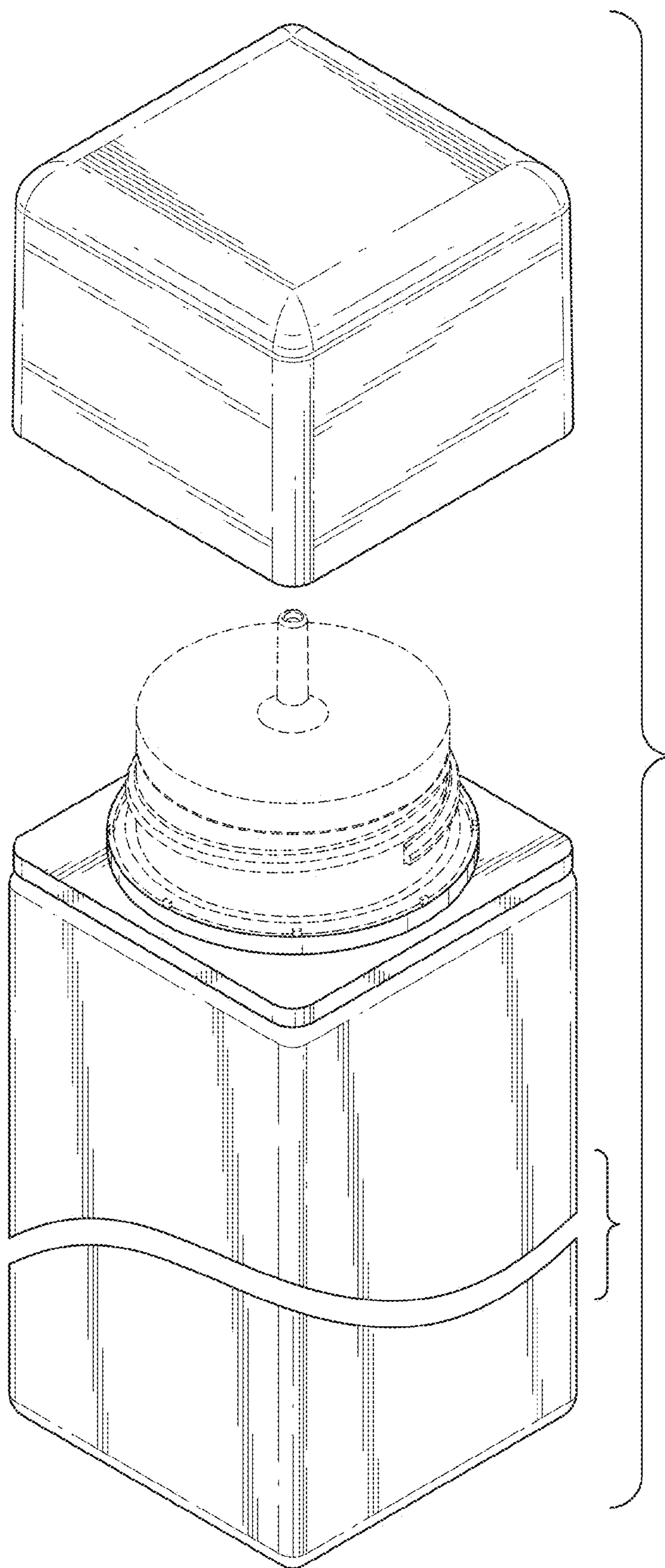


FIG. 38

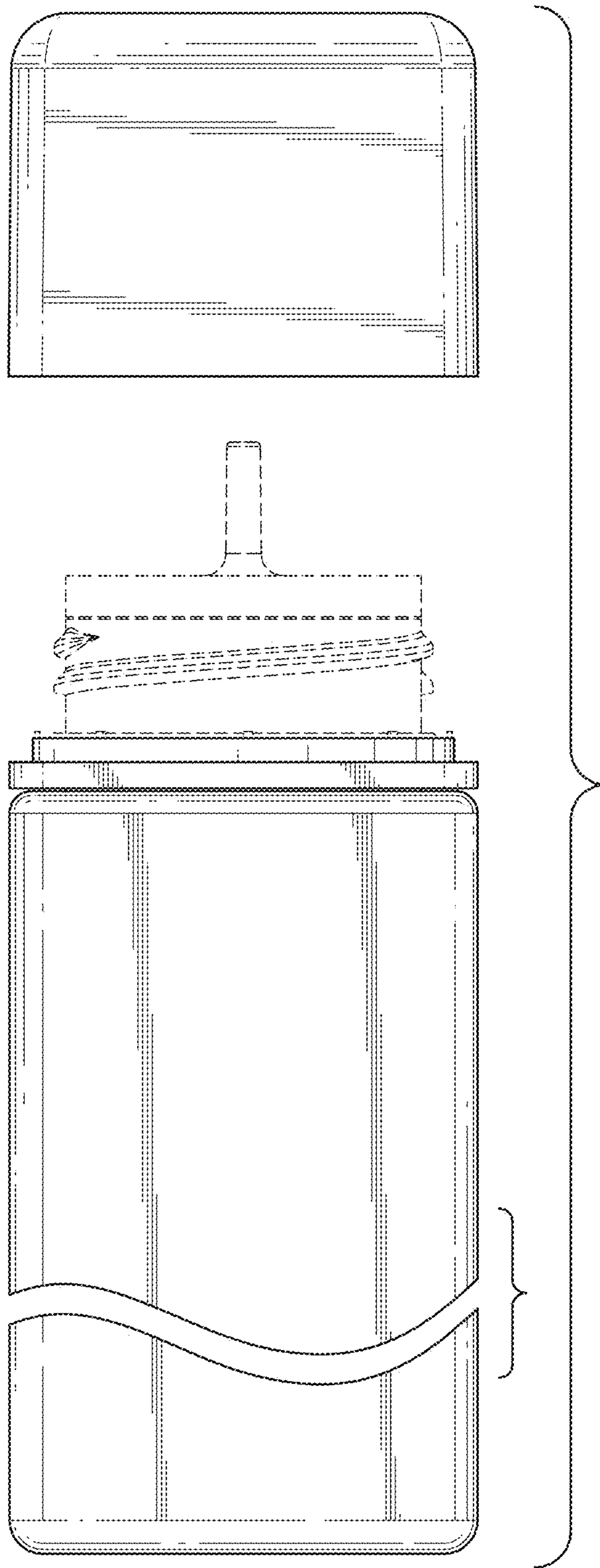


FIG. 39

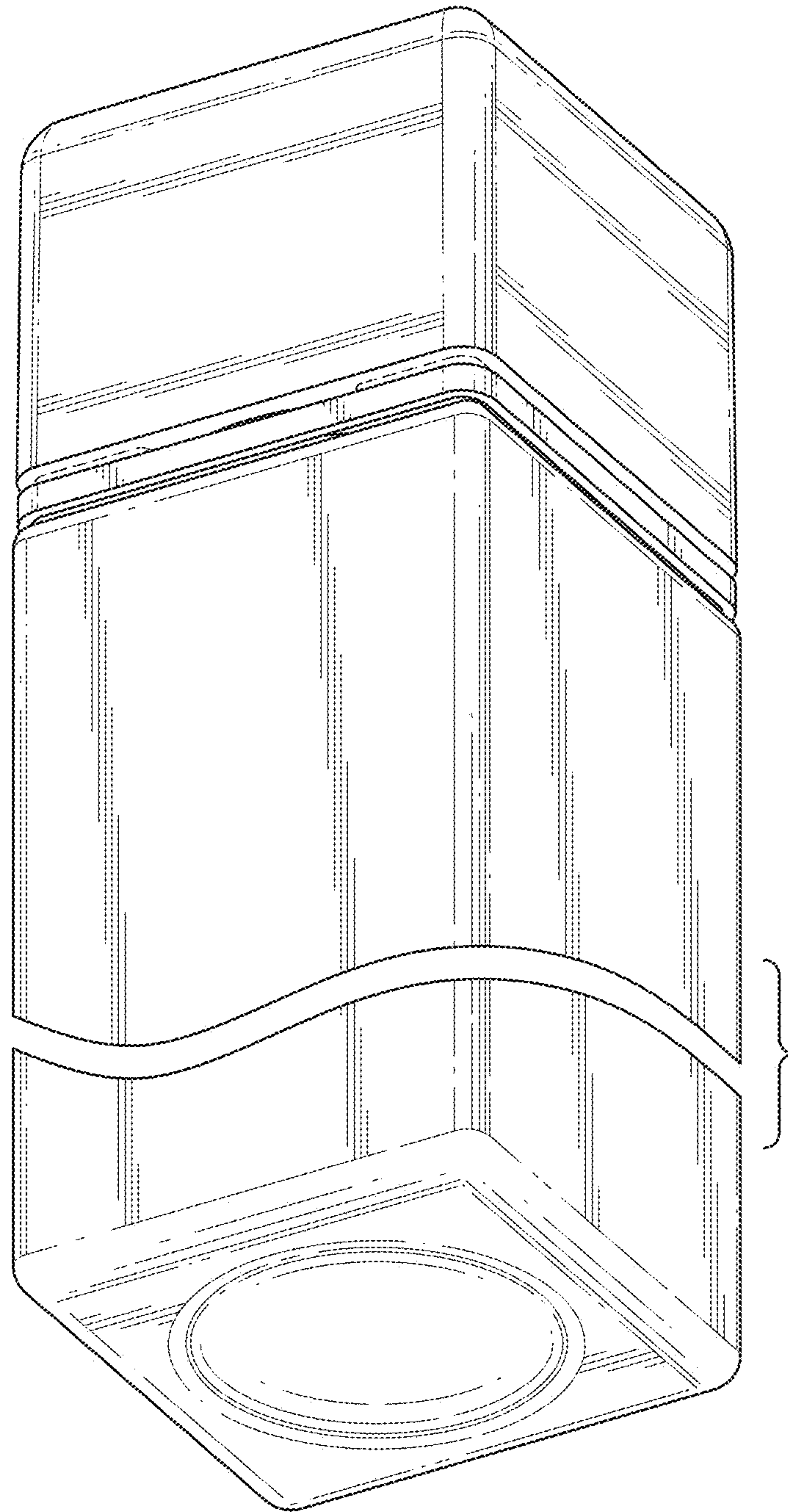


FIG. 40



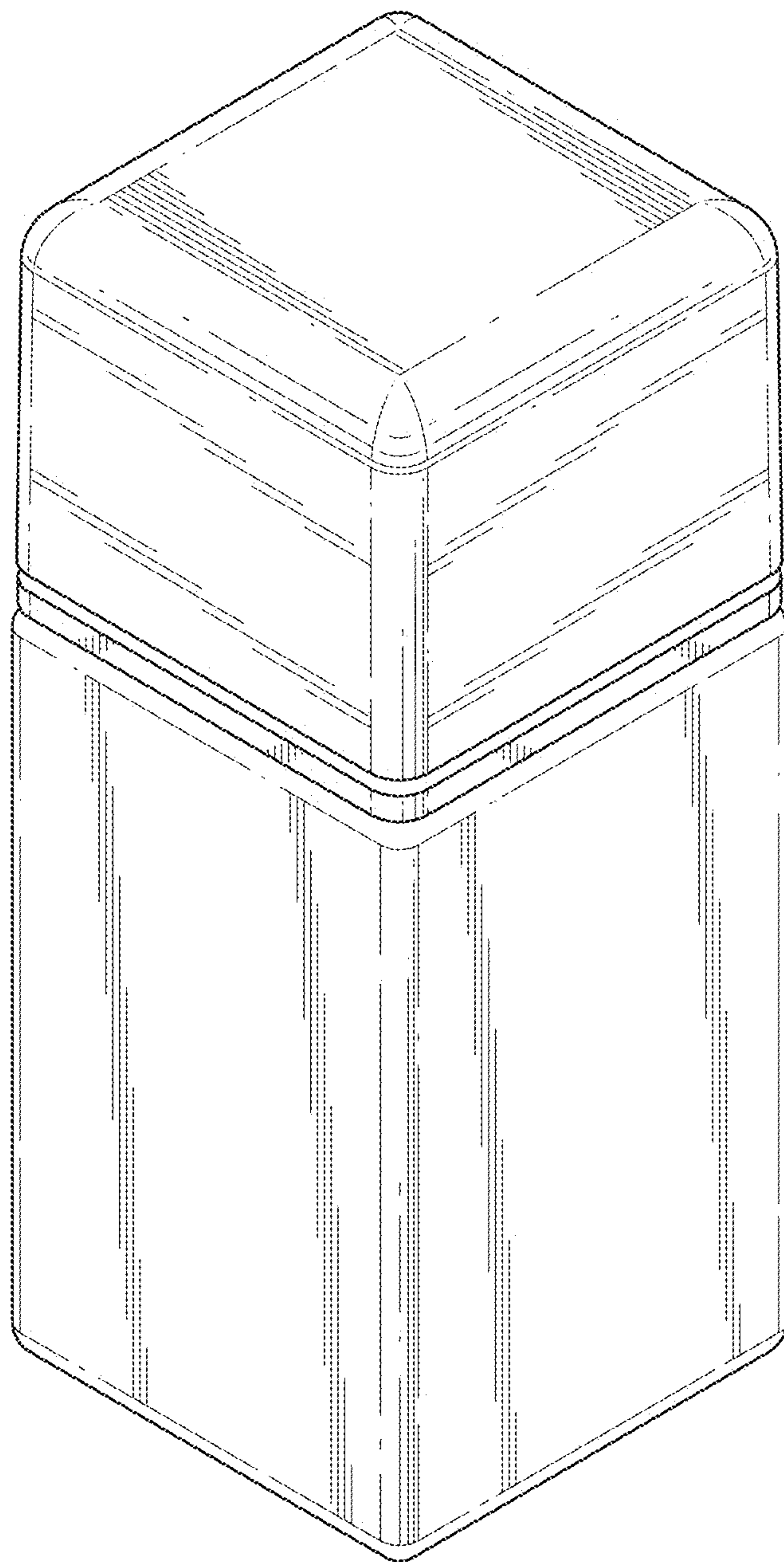
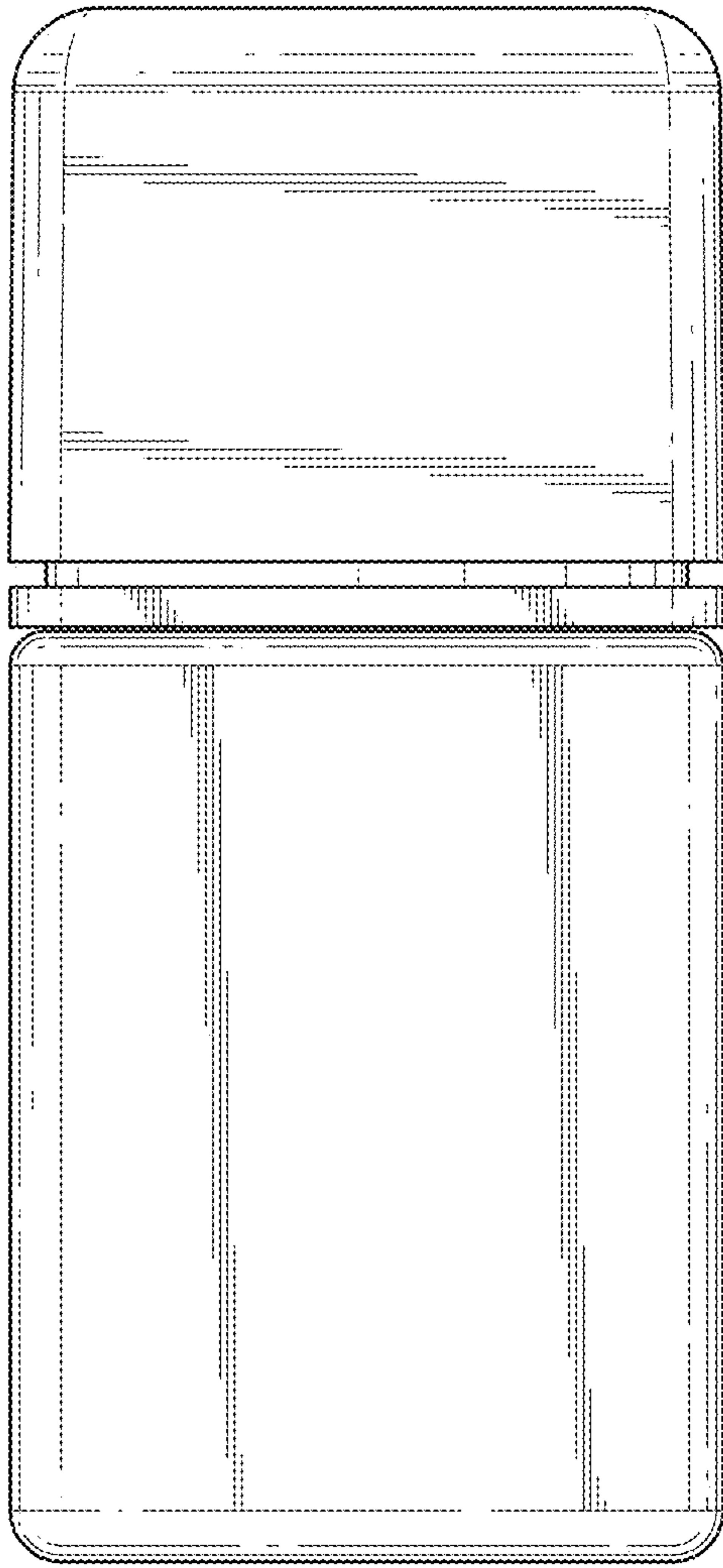
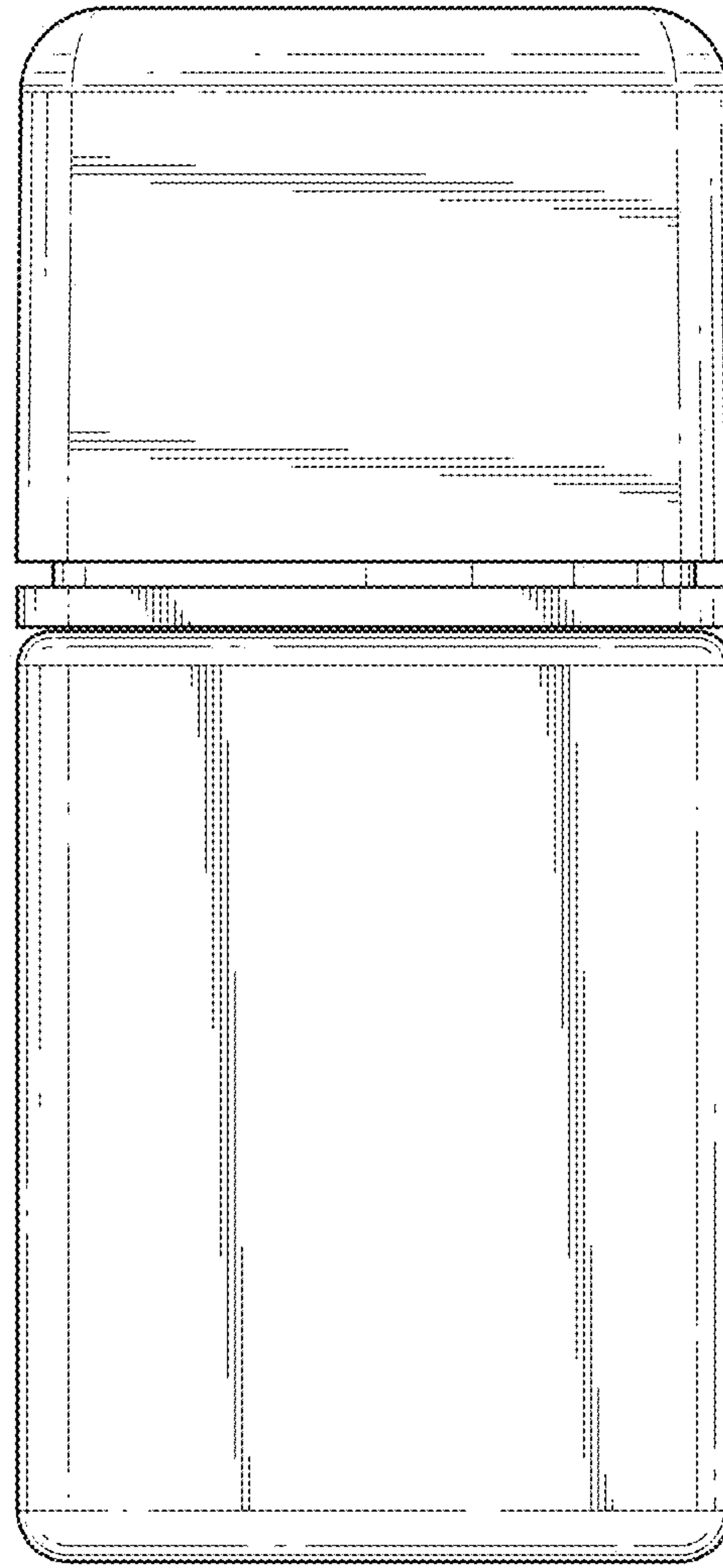


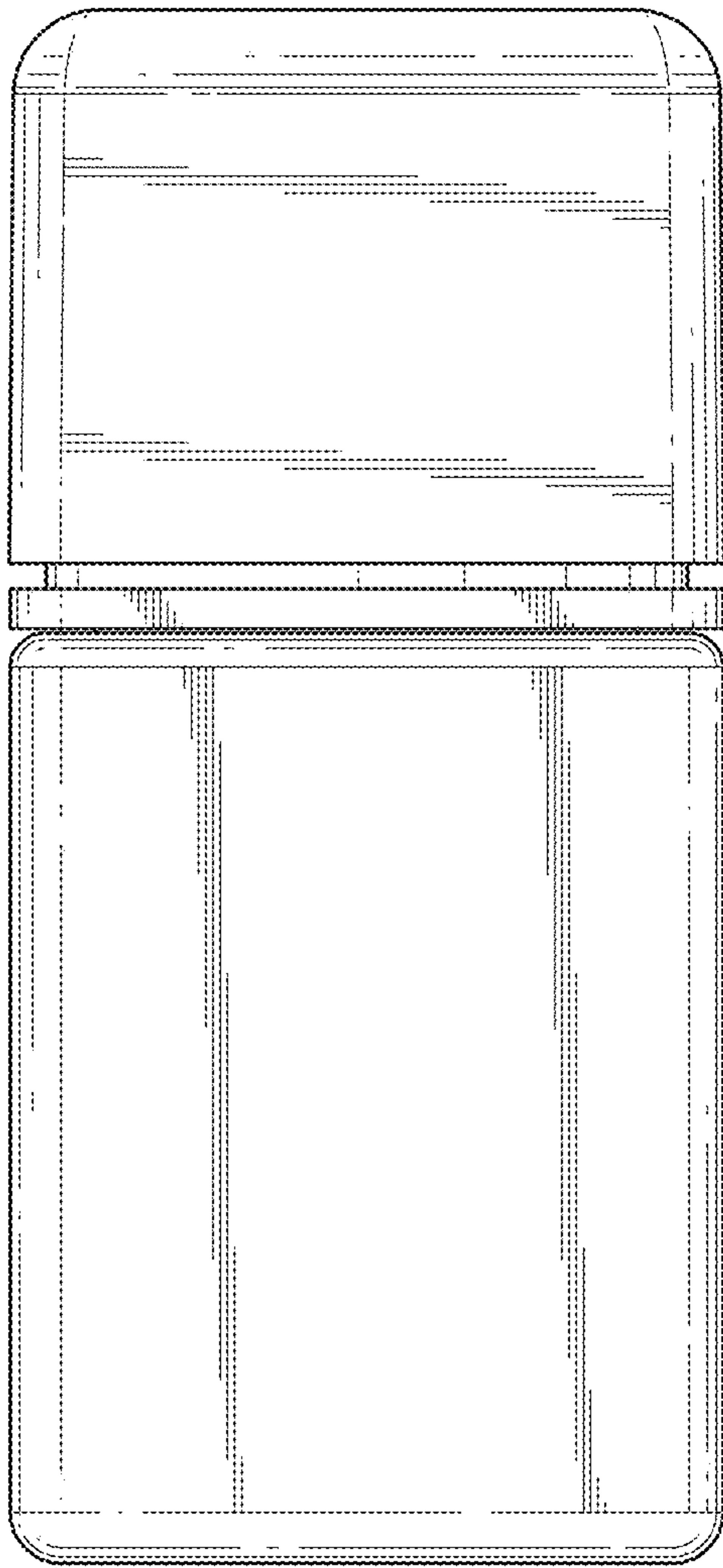
FIG. 41



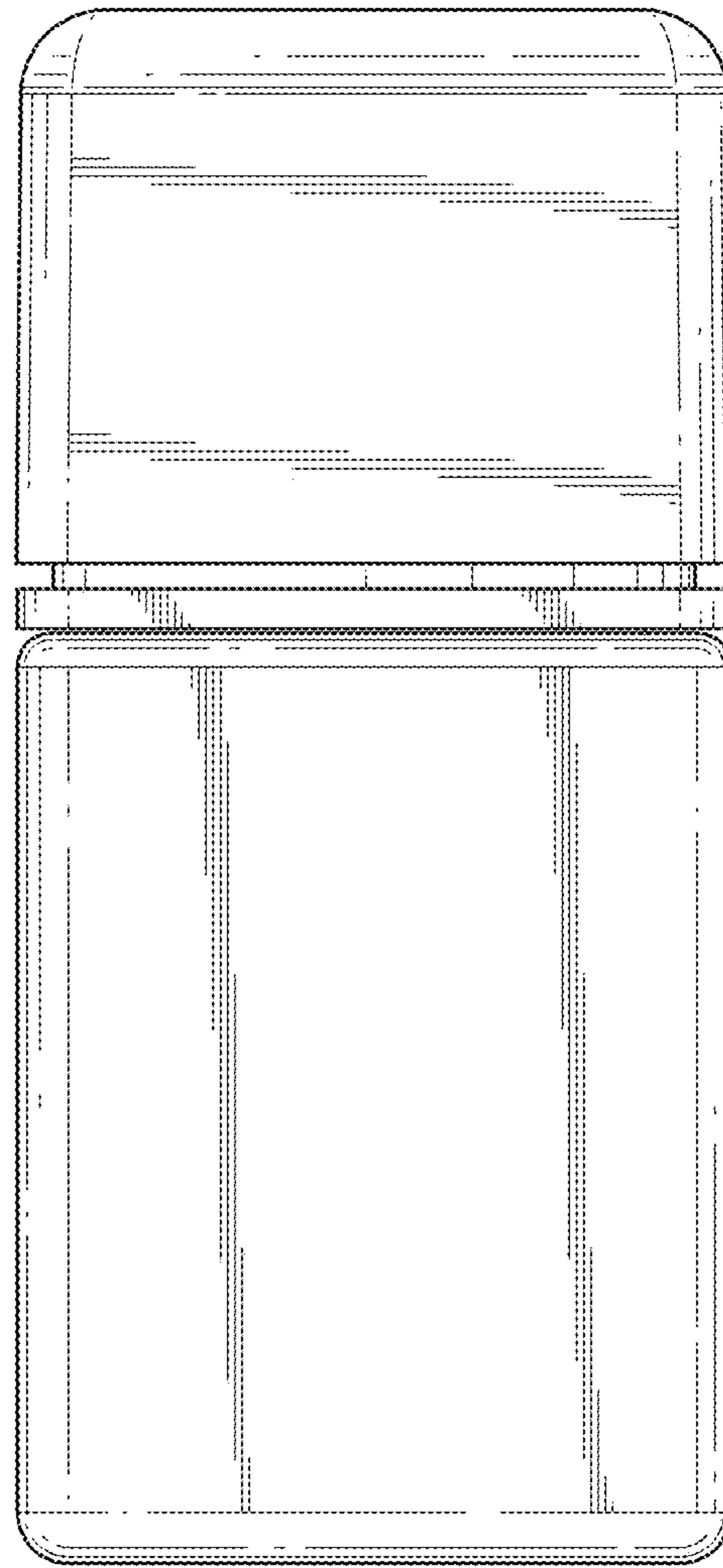
*FIG. 42*



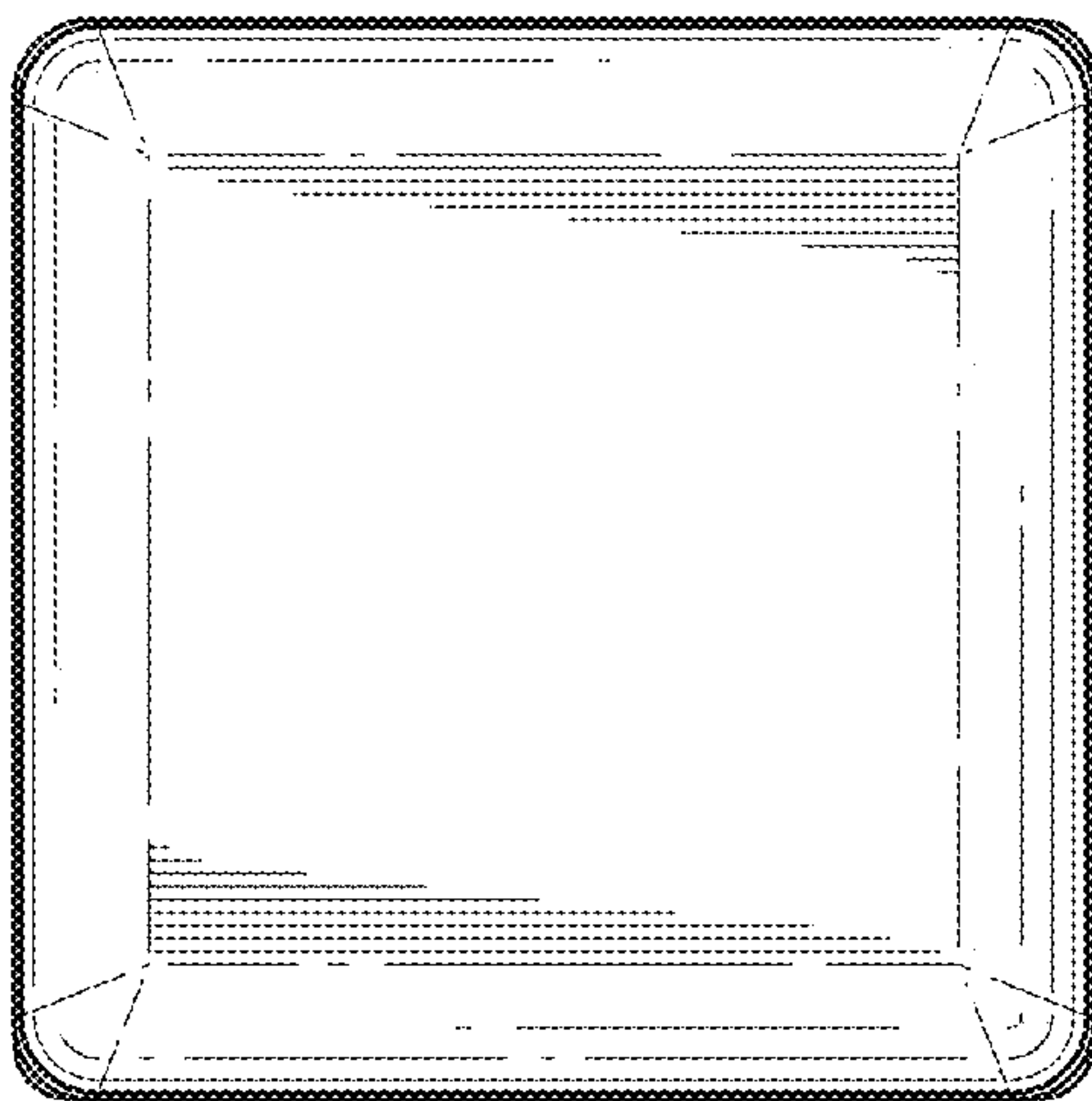
*FIG. 43*



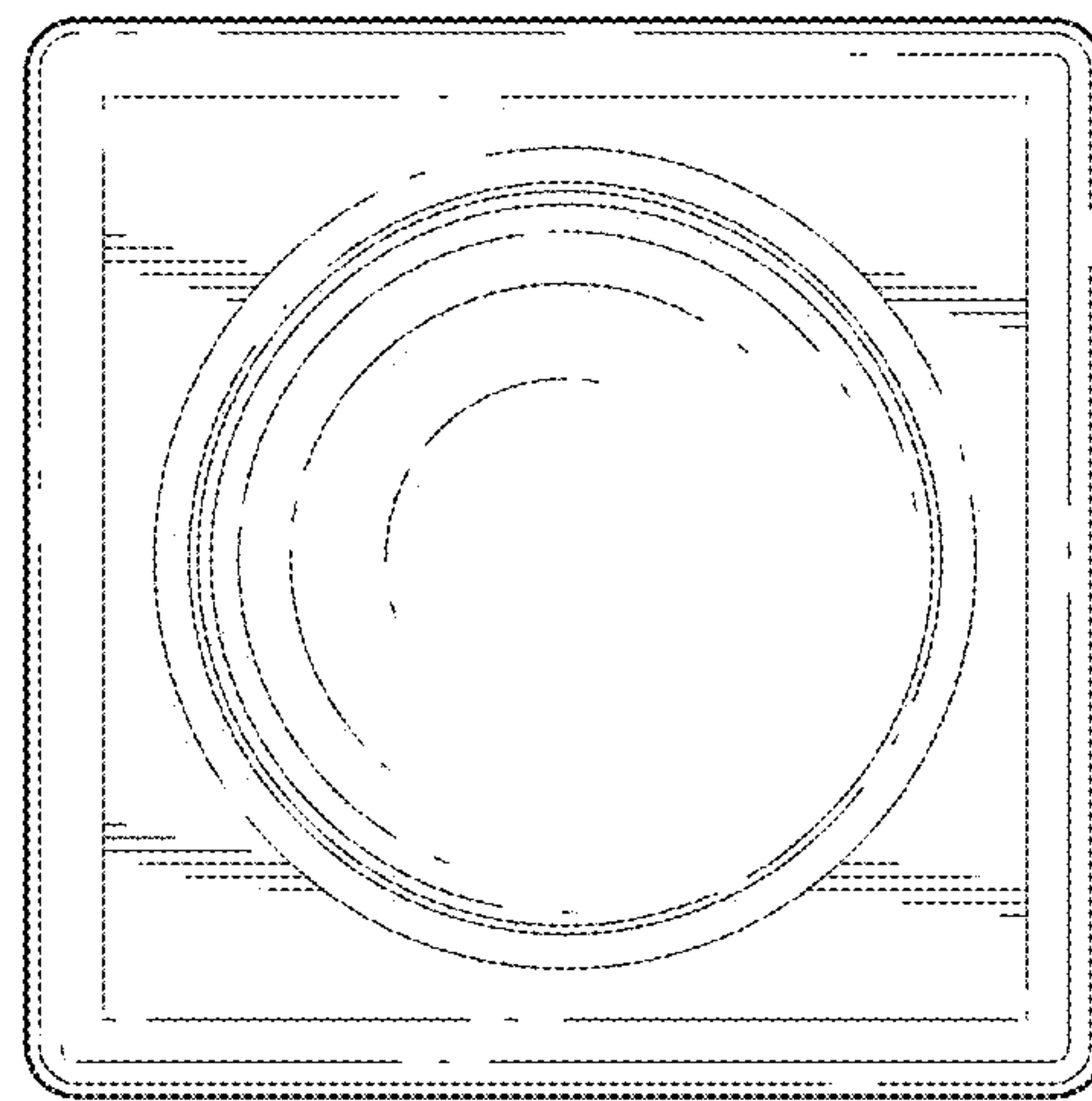
*FIG. 44*



*FIG. 45*



*FIG. 46*



*FIG. 47*

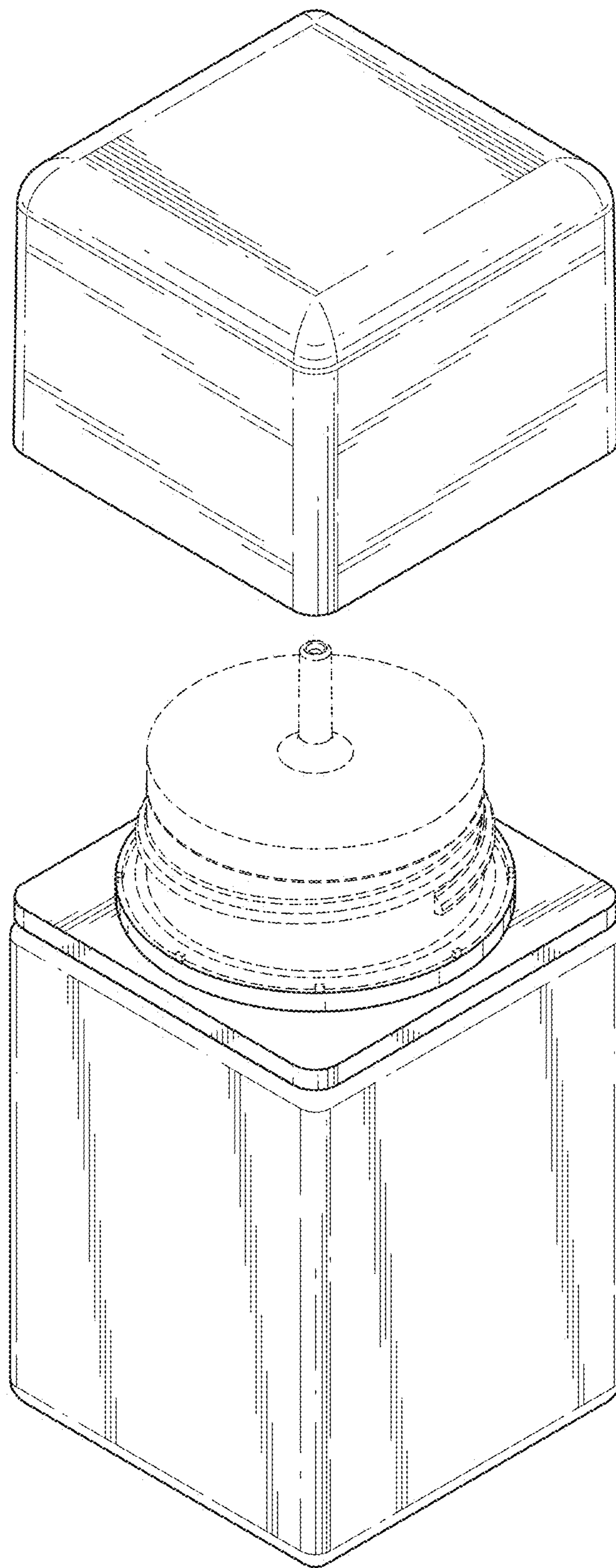


FIG. 48



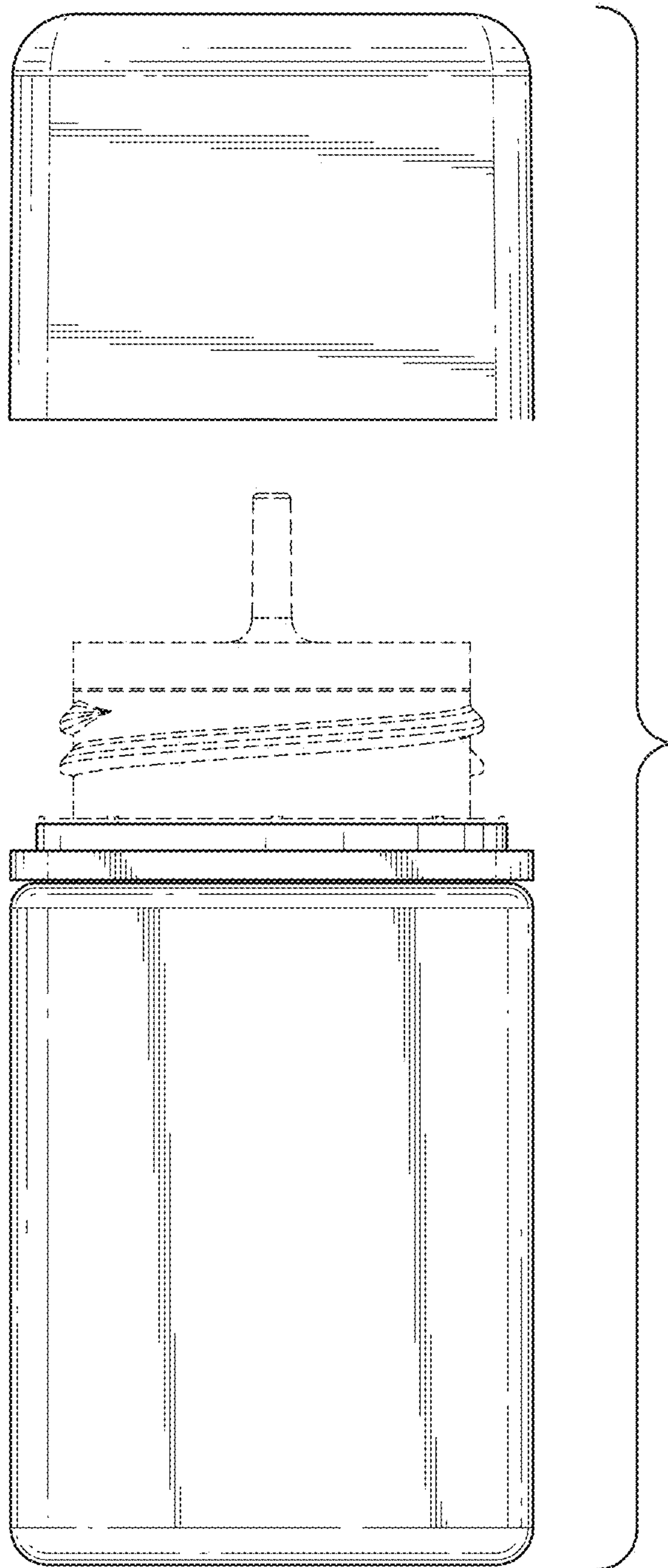
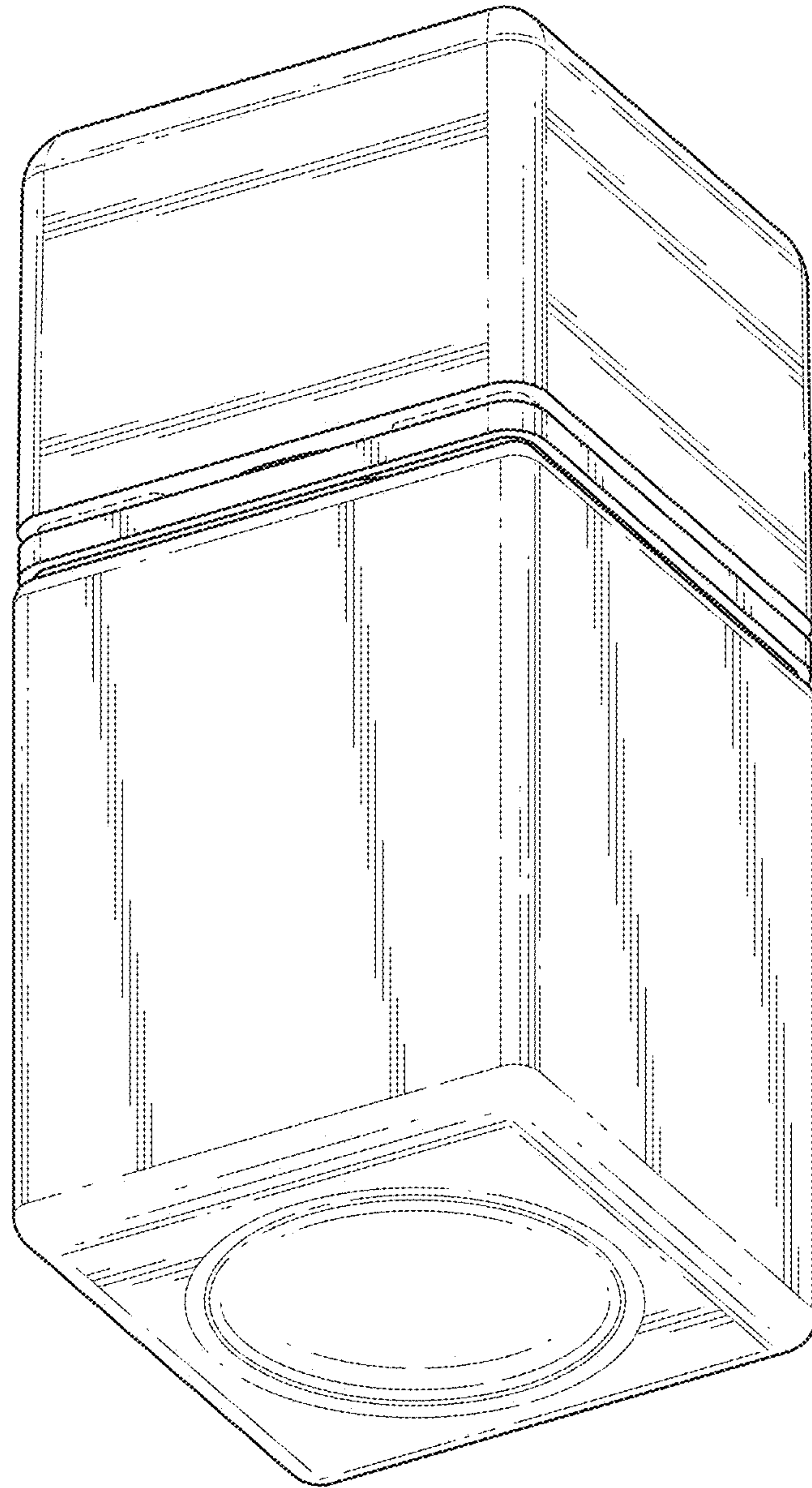


FIG. 49



*FIG. 50*