



US00D873145S

(12) **United States Design Patent**
Hamgeri

(10) **Patent No.:** **US D873,145 S**

(45) **Date of Patent:** **** Jan. 21, 2020**

(54) **WATER BOTTLE**

(71) Applicant: **Elisha Hamgeri**, Denver, CO (US)

(72) Inventor: **Elisha Hamgeri**, Denver, CO (US)

(**) Term: **15 Years**

(21) Appl. No.: **29/634,001**

(22) Filed: **Jan. 17, 2018**

(51) **LOC (12) Cl.** **09-01**

(52) **U.S. Cl.**

USPC **D9/532; D9/575**

(58) **Field of Classification Search**

USPC D9/516, 523, 527, 528, 530, 531-533,
D9/537, 538, 539, 560, 575, 715, 719

CPC B65D 23/10; B65D 1/0223; B65D 1/18;
B65D 15/22

See application file for complete search history.

(56) **References Cited**

U.S. PATENT DOCUMENTS

4,345,701	A	*	8/1982	Walter	B65D 41/385 220/758
D400,794	S	*	11/1998	Takeuchi	D9/532
D401,506	S	*	11/1998	Collins, II	D9/528
D403,243	S	*	12/1998	Takeuchi	D9/532
D513,702	S	*	1/2006	Ferguson	D9/528
D547,662	S	*	7/2007	Hankins	D9/530
D553,992	S	*	10/2007	Lepoitevin	D9/532
D556,042	S	*	11/2007	Lepoitevin	D9/532
D559,111	S	*	1/2008	Reimann	D9/531
D605,946	S	*	12/2009	Manderfield, Jr.	D9/531
D609,573	S	*	2/2010	Cane	D9/531

D658,067	S	*	4/2012	Yourist	D9/532
D702,128	S	*	4/2014	Ware	D9/532
D816,410	S	*	5/2018	Yu	D7/510
D830,180	S	*	10/2018	Melkonian	D9/531

* cited by examiner

Primary Examiner — Shannon W Morgan

Assistant Examiner — Keith Frank

(74) *Attorney, Agent, or Firm* — Snell & Wilmer L.L.P.

(57) **CLAIM**

The ornamental design for a water bottle, as shown and described.

DESCRIPTION

FIG. 1 is a perspective view of a water bottle showing my new design;

FIG. 2 is a front elevation view thereof;

FIG. 3 is a rear elevation view thereof;

FIG. 4 is a right side elevation view thereof;

FIG. 5 is a left side elevation view thereof;

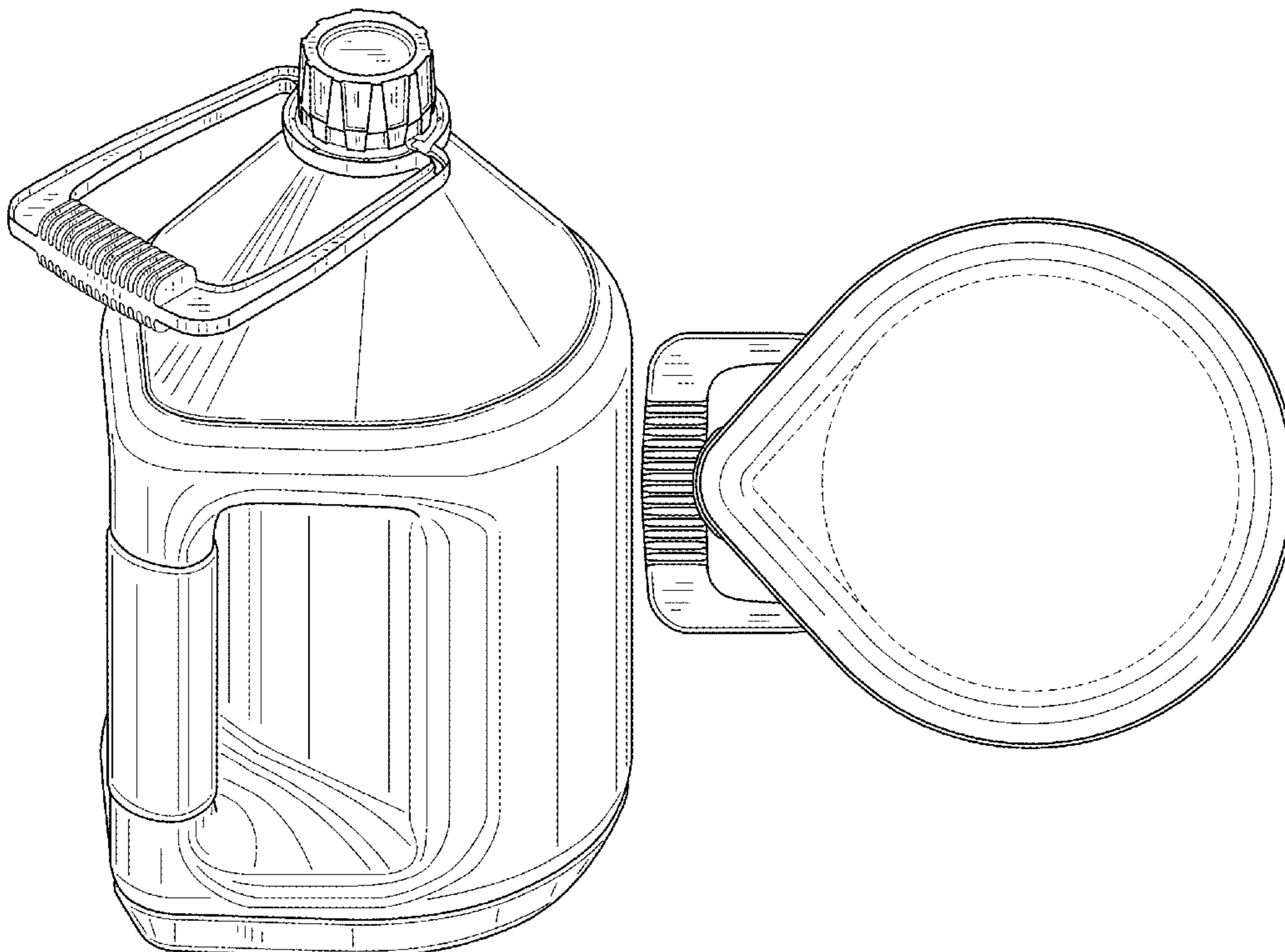
FIG. 6 is a top plan view thereof;

FIG. 7 is a bottom plan view thereof; and,

FIG. 8 an exploded perspective view thereof showing the cap, bottle and handle separated.

The broken lines in the drawings showing of the water bottle illustrate the portions of the water bottle that form no part of the claimed design. The shaded surfaces adjacent the broken lines represent the bounds of the claim.

1 Claim, 8 Drawing Sheets



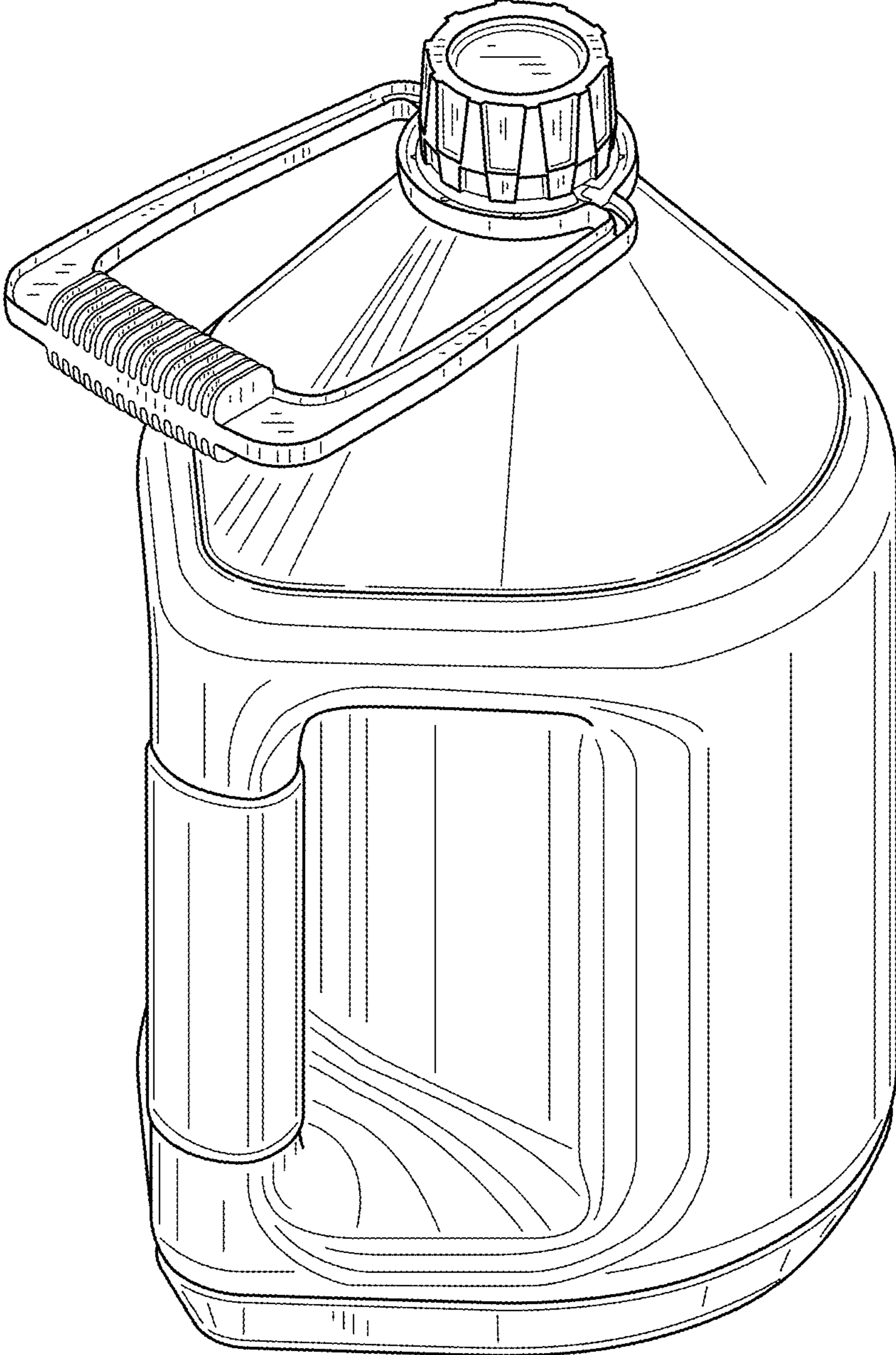


FIG.1

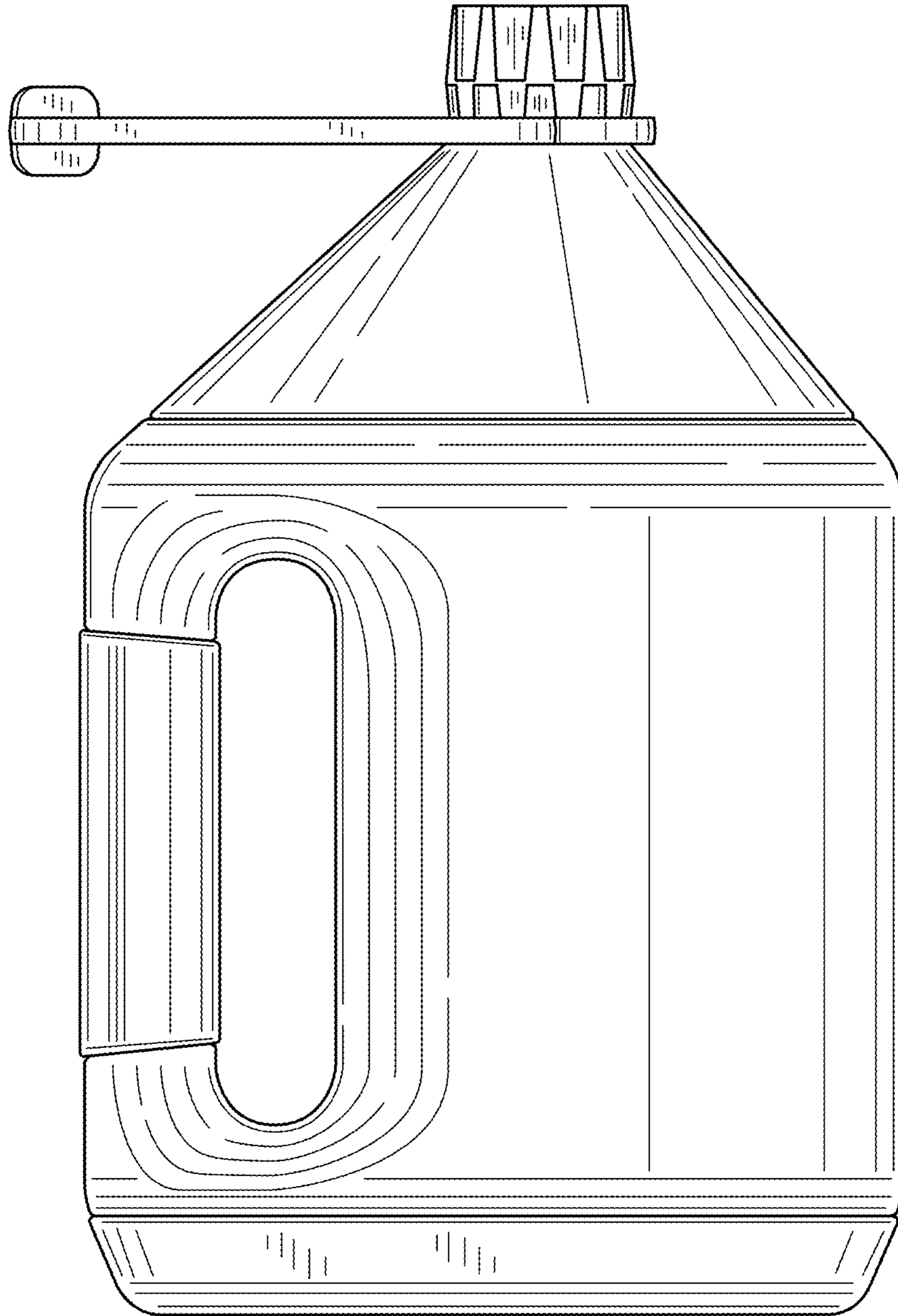


FIG. 2

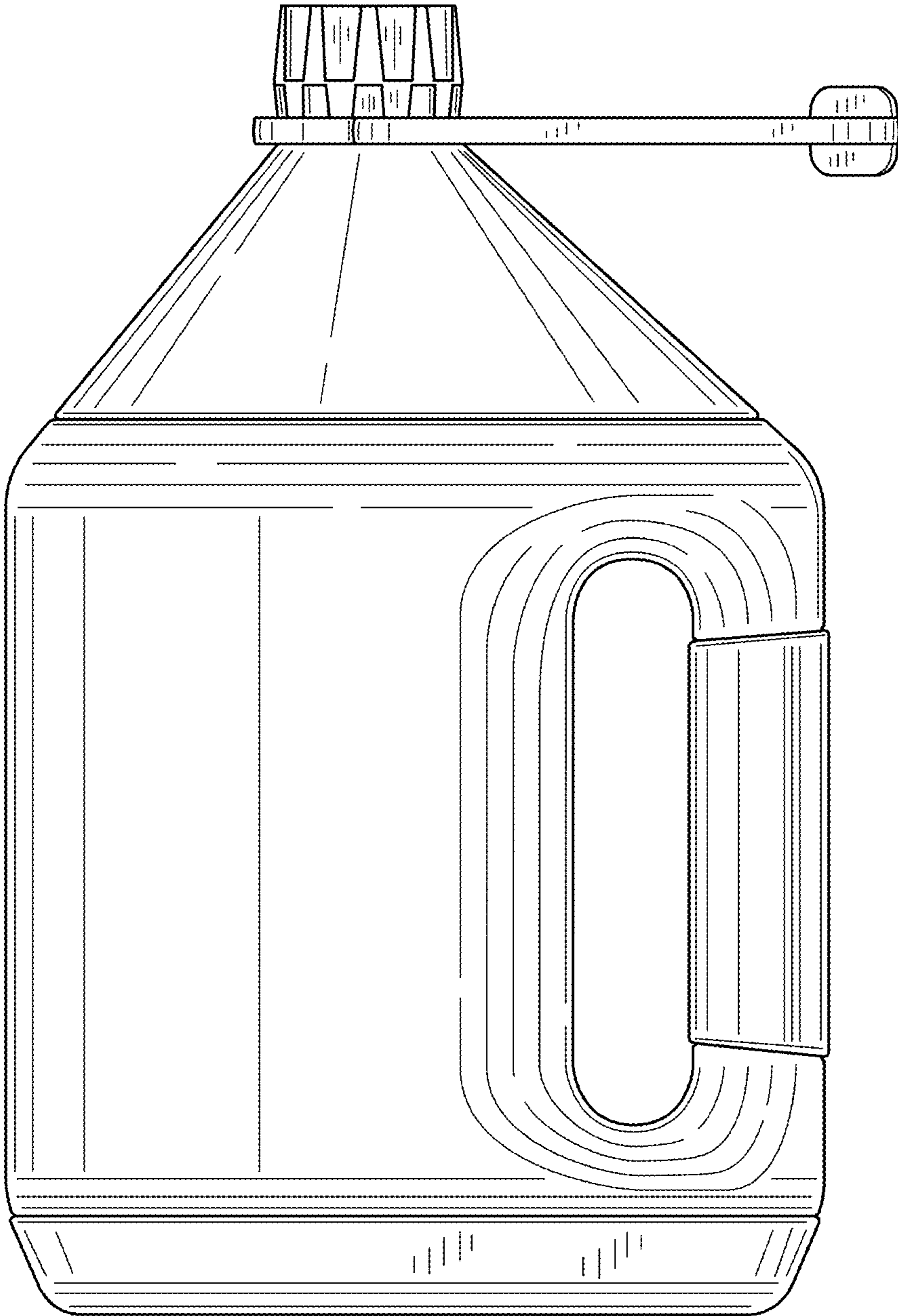


FIG. 3

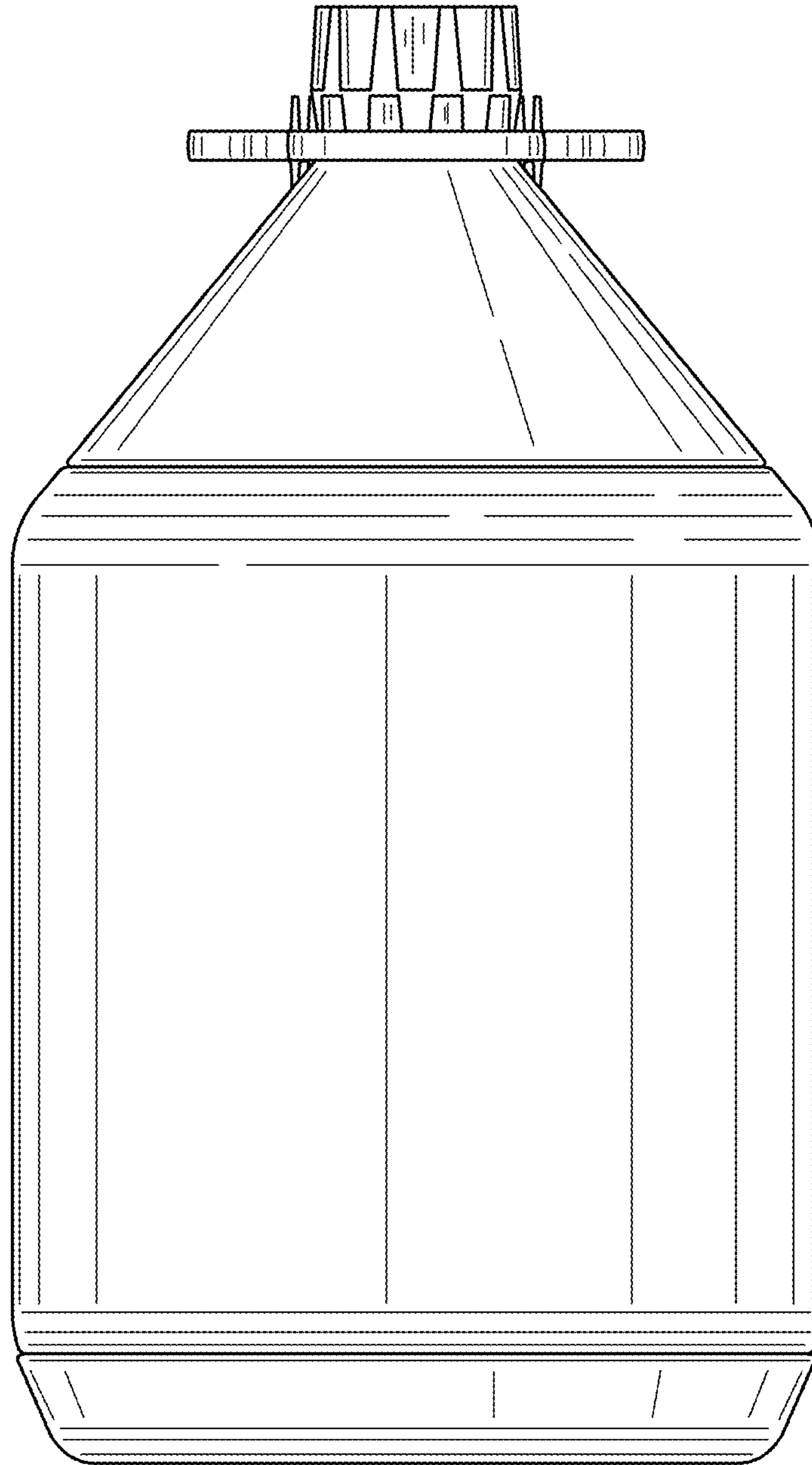


FIG.4

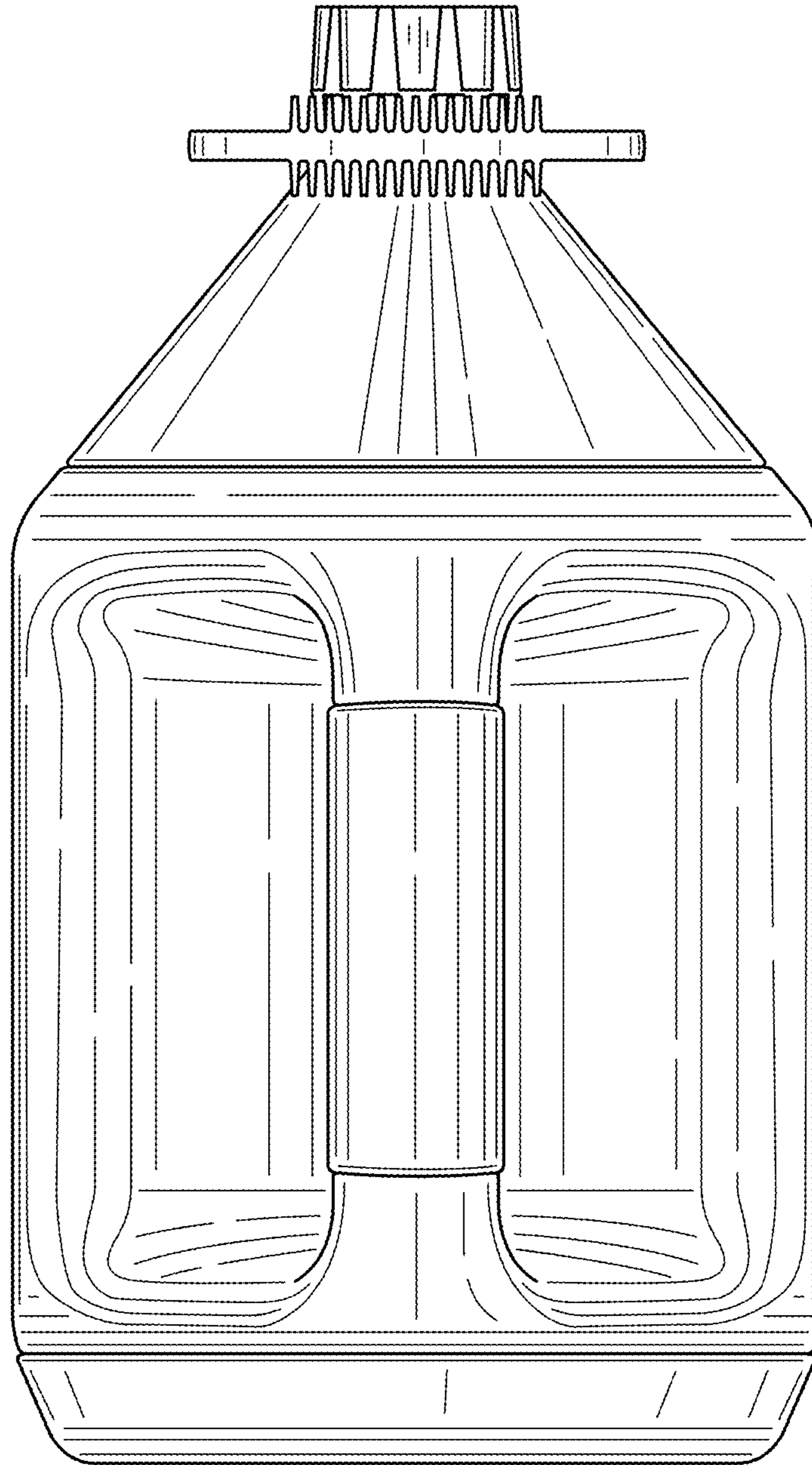


FIG. 5

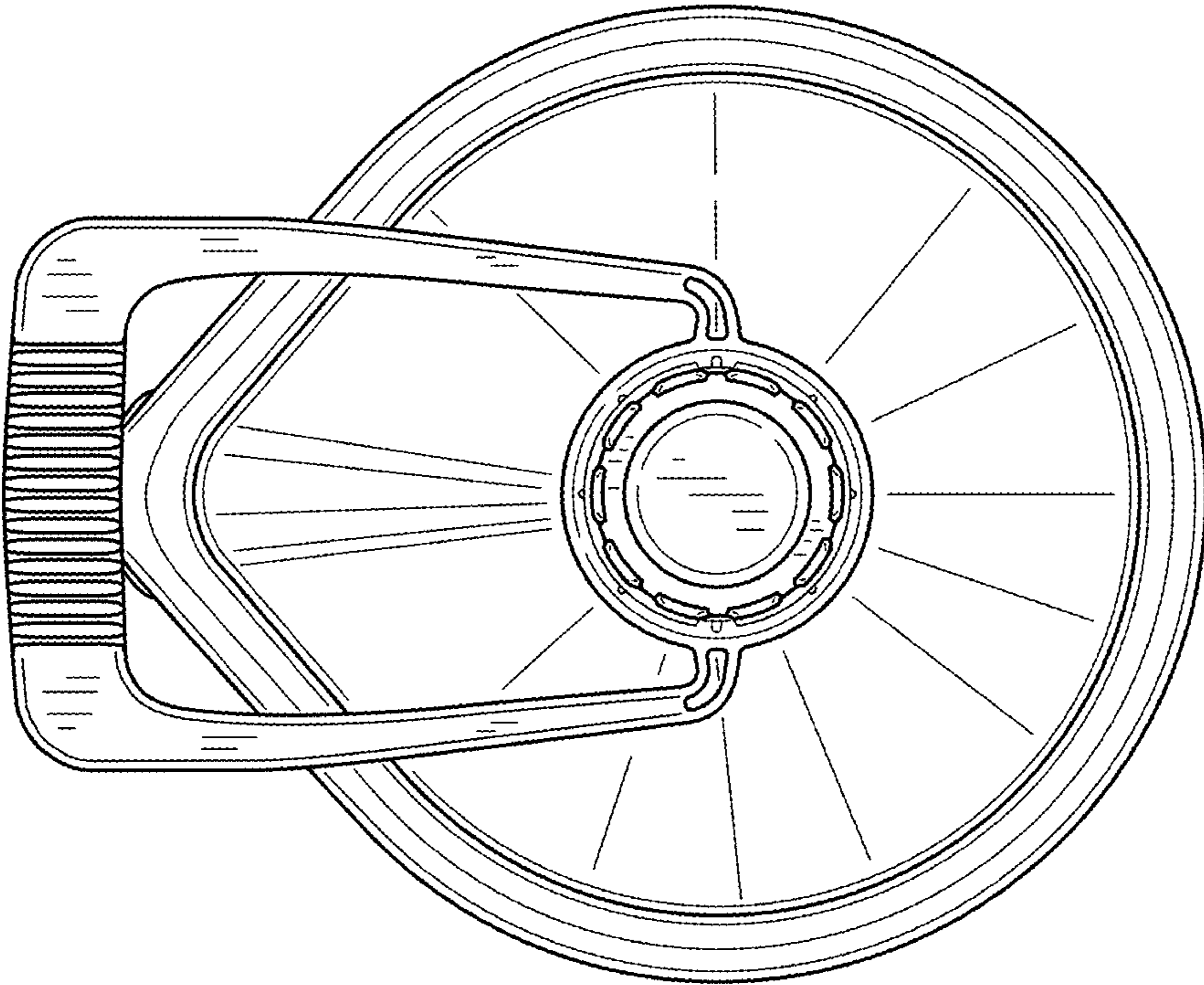


FIG.6

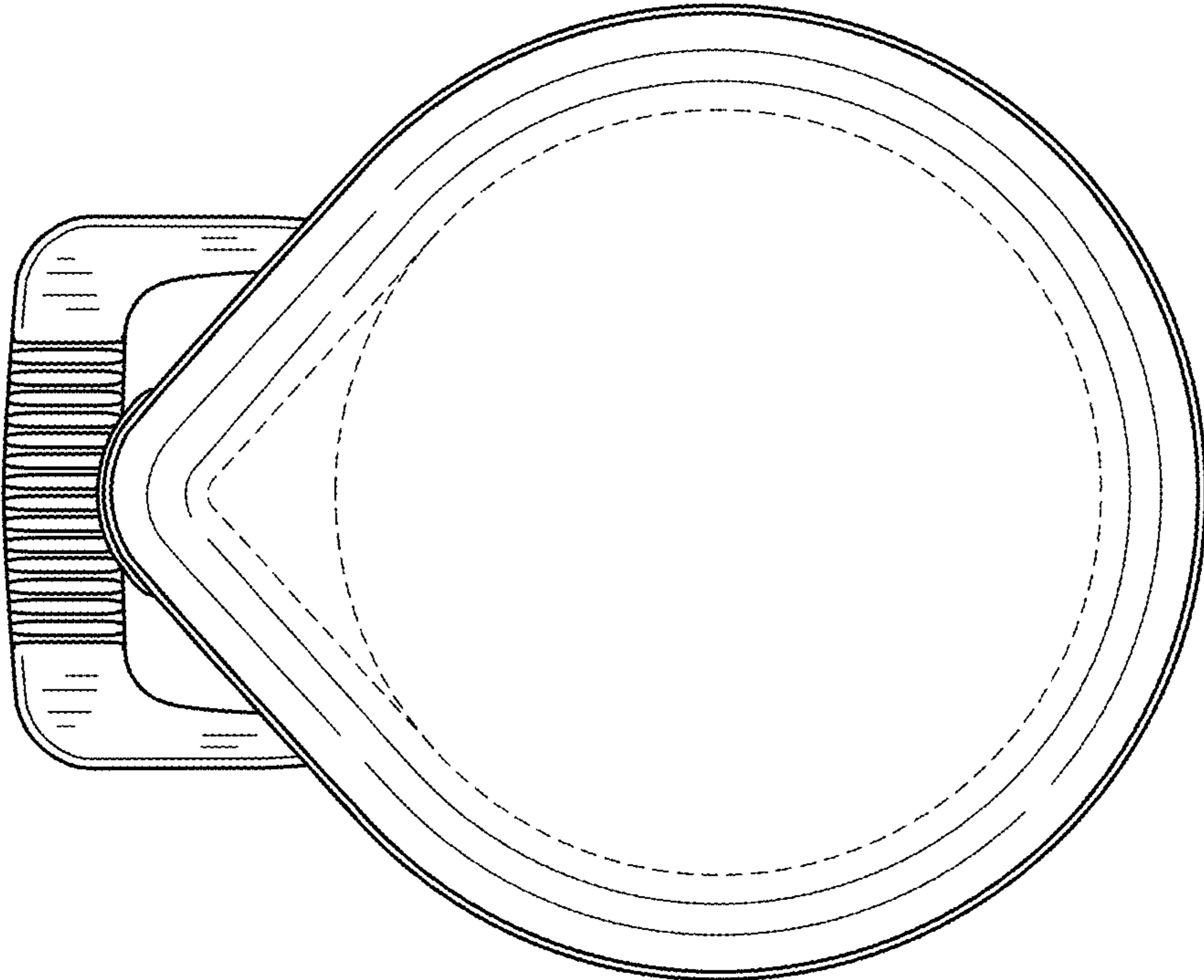


FIG.7

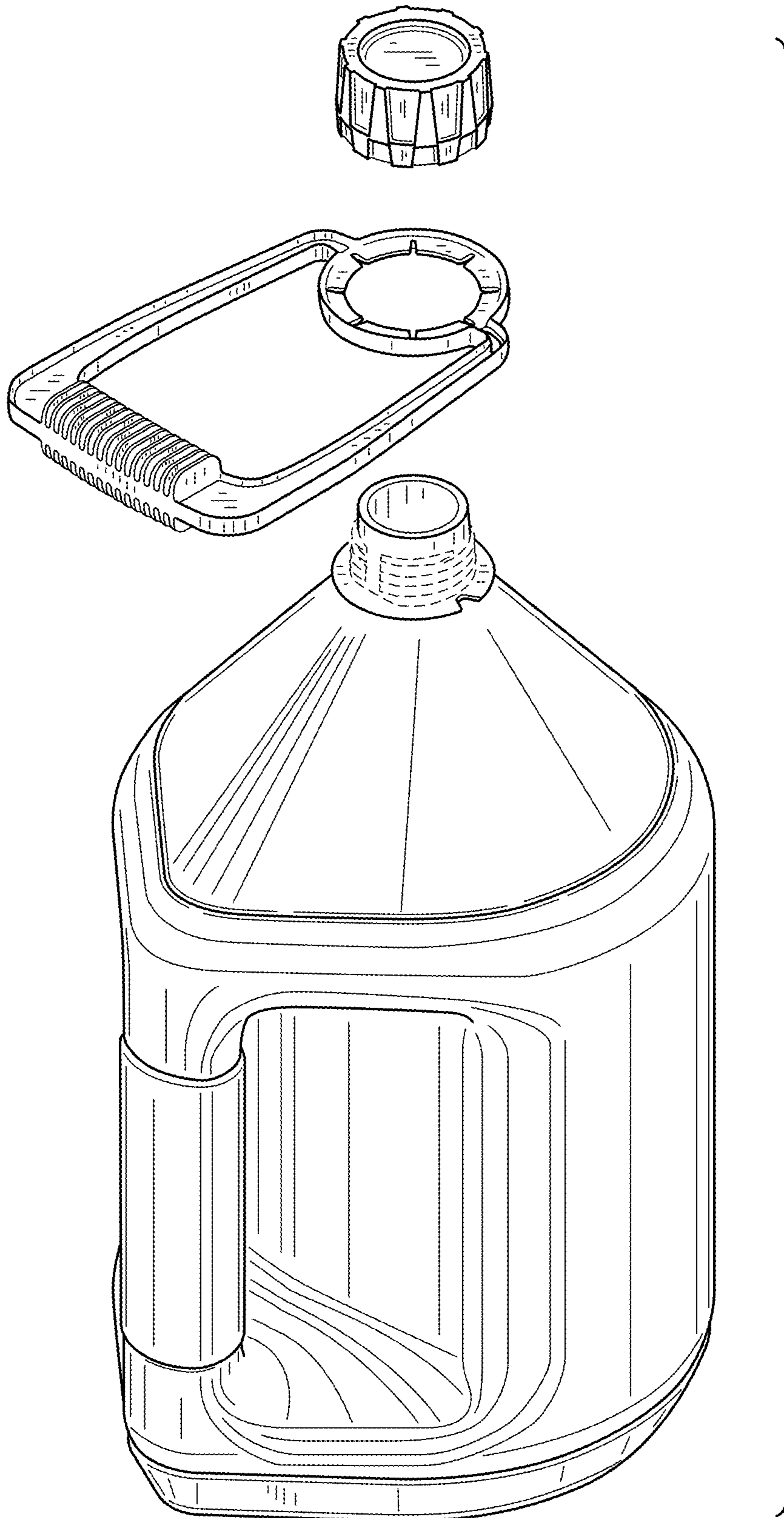


FIG.8