



US00D873141S

(12) **United States Design Patent**  
**Wiebelitz**

(10) **Patent No.:** **US D873,141 S**  
(45) **Date of Patent:** **\*\* Jan. 21, 2020**

(54) **BOTTLE**  
(71) Applicant: **WARSTEINER BRAUEREI HAUS**  
**CRAMER KG, Warstein (DE)**  
(72) Inventor: **John Wiebelitz, Hamburg (DE)**  
(73) Assignee: **Warsteiner Brauerei Haus Cramer**  
**KG, Warstein (DE)**  
(\*\*) Term: **15 Years**

D837,652 S \* 1/2019 George ..... D9/516  
D838,176 S \* 1/2019 Harris ..... D9/516  
D846,988 S \* 4/2019 Paredes ..... D9/500  
D847,636 S \* 5/2019 Harris ..... D9/500  
D847,646 S \* 5/2019 Harris ..... D9/516  
D847,648 S \* 5/2019 Birkhoff ..... D9/516  
D847,649 S \* 5/2019 Harris ..... D9/516  
D850,266 S \* 6/2019 Harris ..... D9/516  
D850,267 S \* 6/2019 Paredes ..... D9/516  
D850,268 S \* 6/2019 Paredes ..... D9/516  
D850,269 S \* 6/2019 Koenick ..... D9/516

(Continued)

(21) Appl. No.: **29/595,070**  
(22) Filed: **Feb. 24, 2017**

**FOREIGN PATENT DOCUMENTS**

EE 01608 8/2010  
EM 000971783-0001 8/2008  
GE 548-0002 8/2009

(Continued)

**Related U.S. Application Data**

(63) Continuation of application No. 35/500,386, filed on Nov. 27, 2015 (U.S. filing date under 35 U.S.C. 384), and having an international filing date of Nov. 27, 2015, now abandoned.

*Primary Examiner* — Keli L Hill

(74) *Attorney, Agent, or Firm* — Fox Rothschild LLP

(51) **LOC (12) Cl.** ..... **09-01**  
(52) **U.S. Cl.**  
USPC ..... **D9/516; D9/500**

(57) **CLAIM**

I claim the ornamental design for a bottle, as shown and described.

(58) **Field of Classification Search**  
USPC ..... D9/500, 501, 516, 530, 537–539, 549,  
D9/550, 558, 563  
CPC ..... B65D 1/00; B65D 1/02; B65D 1/0215;  
B65D 1/0284  
See application file for complete search history.

**DESCRIPTION**

FIG. 1 is a perspective view of a bottle, in accordance with my new design;

FIG. 2 is a second perspective view thereof;

FIG. 3 is a front elevation view thereof, the rear, left and right sides being identical thereto;

FIG. 4 is a third perspective view thereof;

FIG. 5 is a top plain view thereof; and,

FIG. 6 is a bottom plain view thereof.

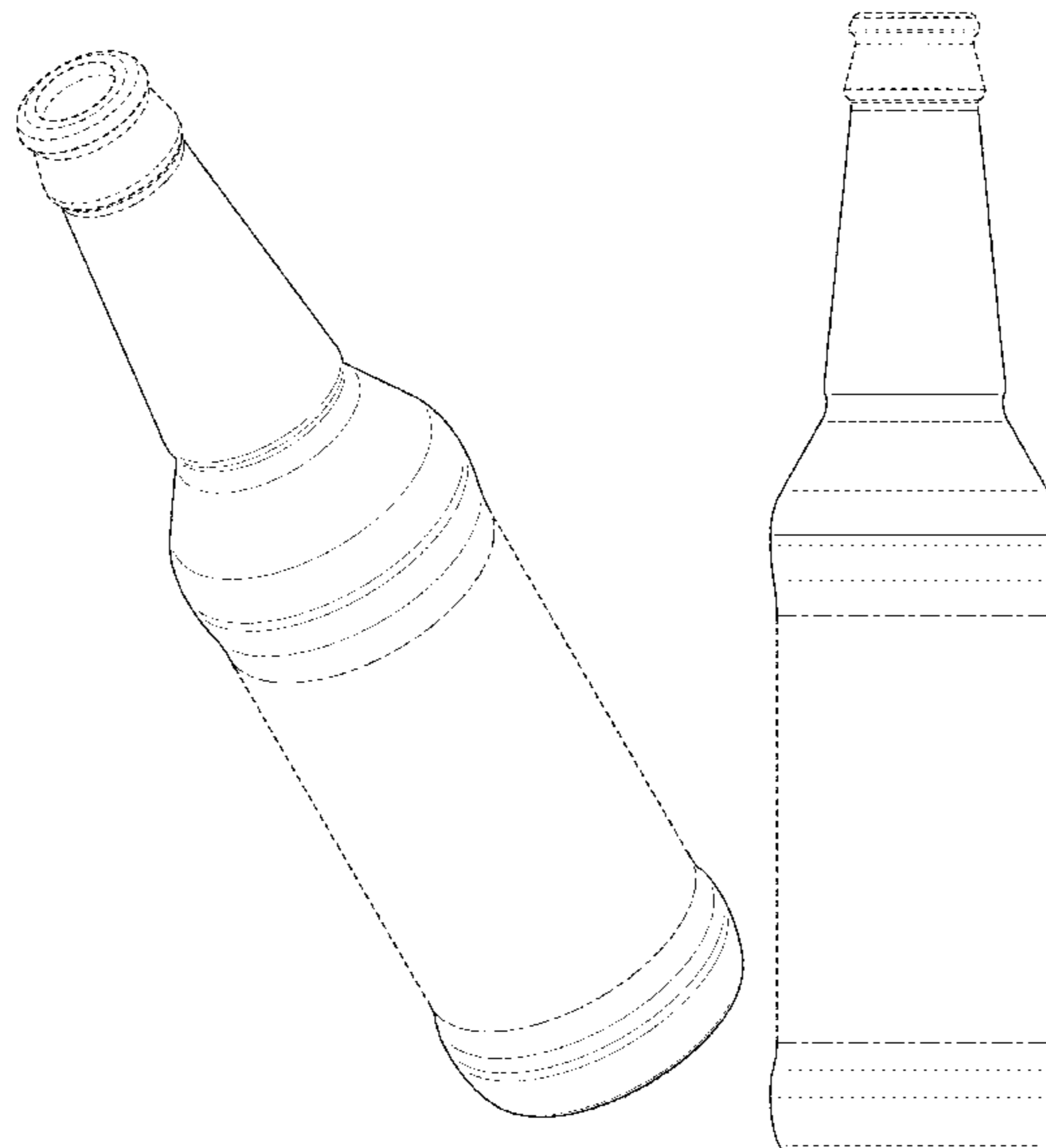
The uneven-length broken lines represent the bounds of the claimed design and form no part thereof. The even-length broken lines showing the remainder of the bottle are for the purpose of illustrating the bottle and form no part of the claimed design.

(56) **References Cited**

**U.S. PATENT DOCUMENTS**

D522,869 S \* 6/2006 Leshyk ..... D9/538  
D790,967 S \* 7/2017 Gonzalez ..... D9/500  
D793,863 S \* 8/2017 Huynen ..... D9/503  
D802,434 S \* 11/2017 Thompson ..... D9/560  
D806,549 S \* 1/2018 Laib ..... D9/500  
D807,178 S \* 1/2018 Laib ..... D9/500  
D815,527 S \* 4/2018 Harris ..... D9/500

**1 Claim, 6 Drawing Sheets**



(56)

**References Cited**

U.S. PATENT DOCUMENTS

D854,417 S \* 7/2019 Harris ..... D9/516

FOREIGN PATENT DOCUMENTS

GE	D 2009 409 S	8/2009
LV	D15337	6/2010
RO	f20080364-0001	10/2008
RO	f20080364-0002	10/2008
RU	60540	11/2006

\* cited by examiner

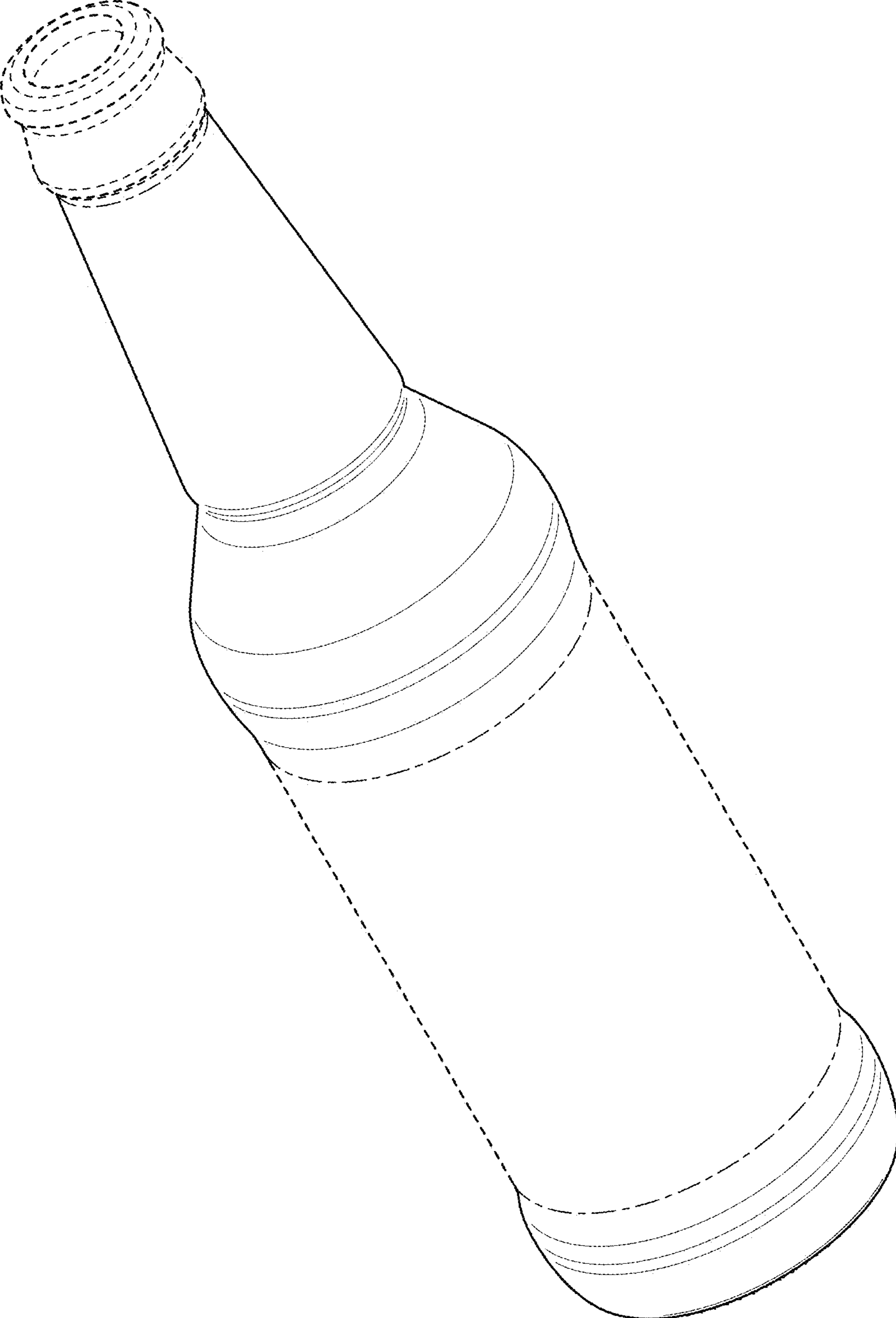


FIG.1

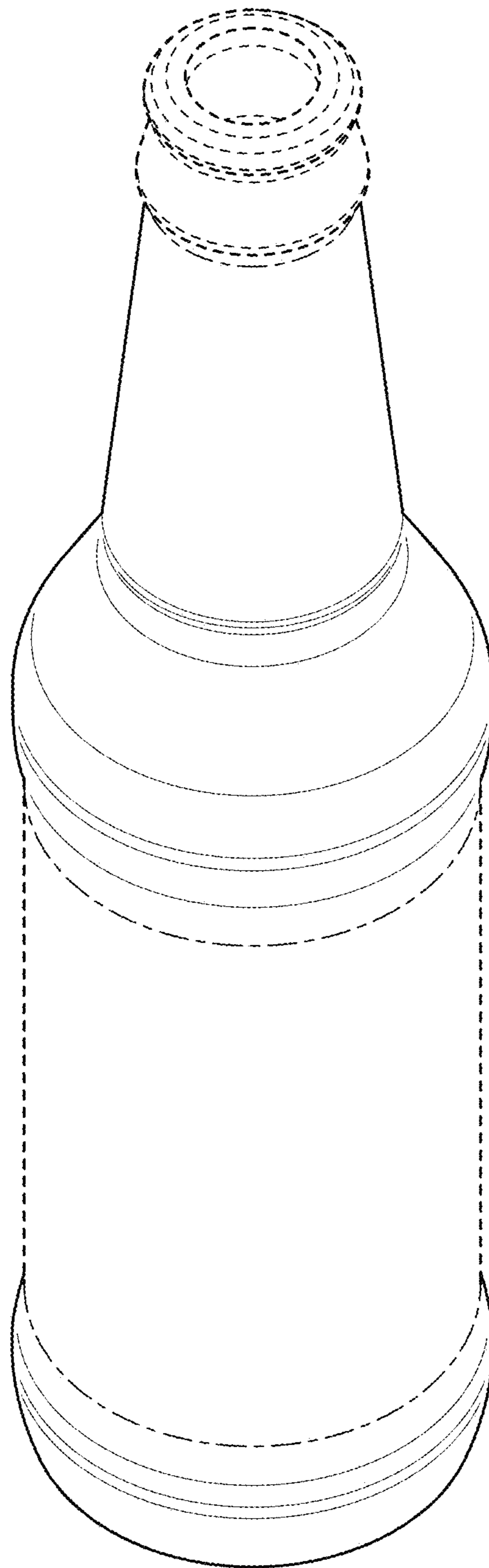
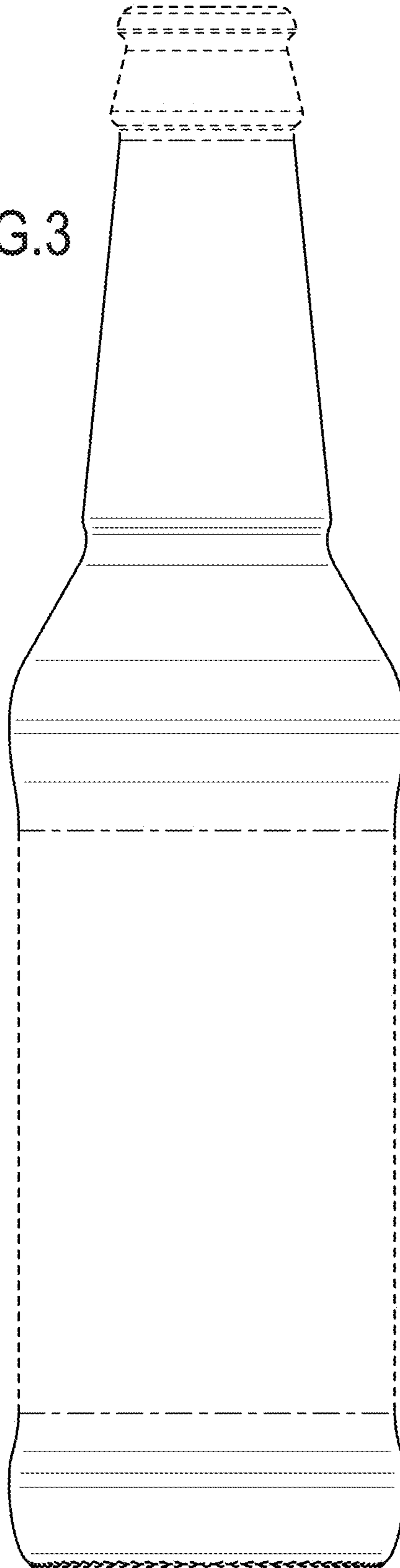


FIG.2

FIG.3



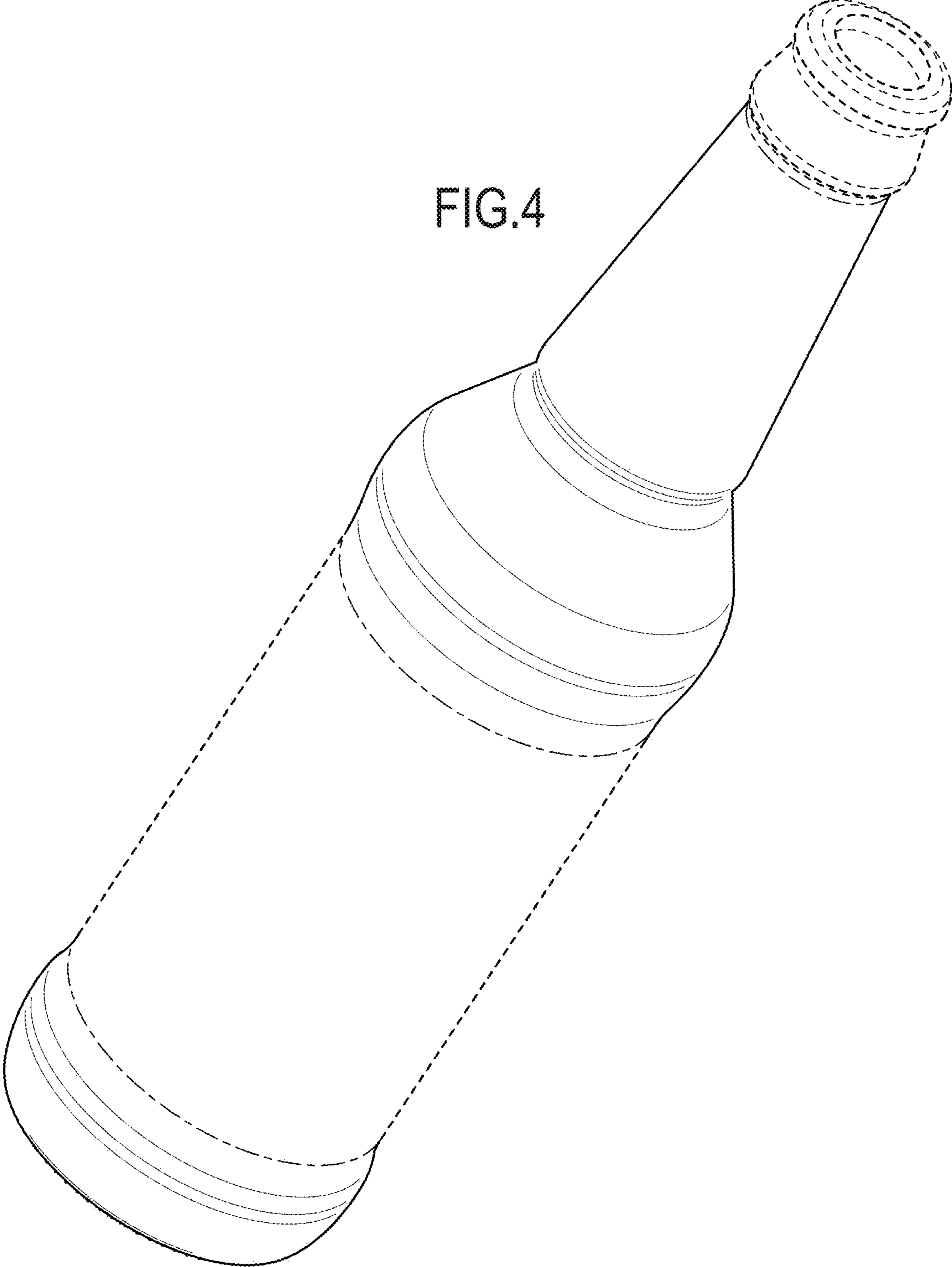


FIG. 4

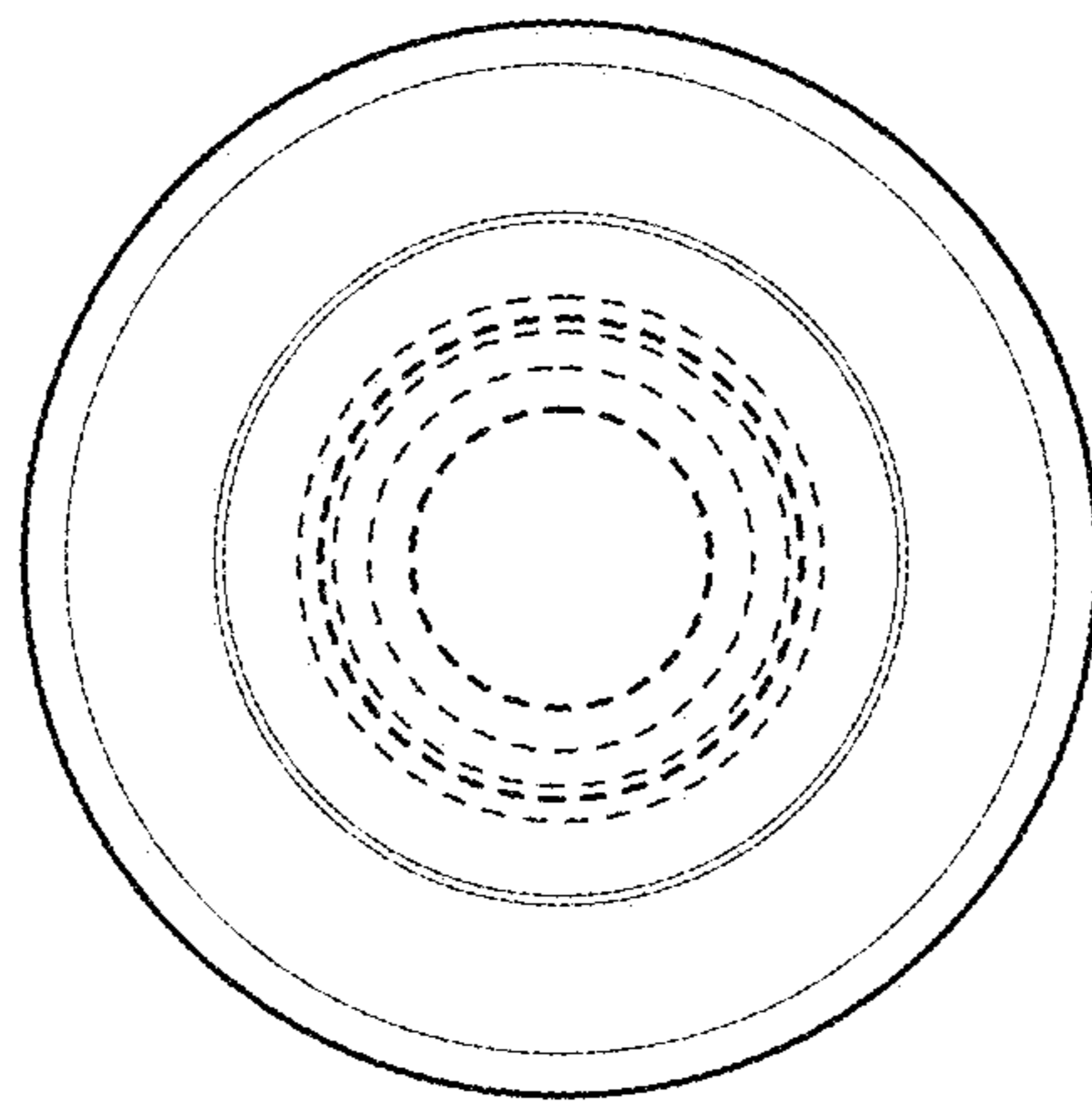


FIG.5

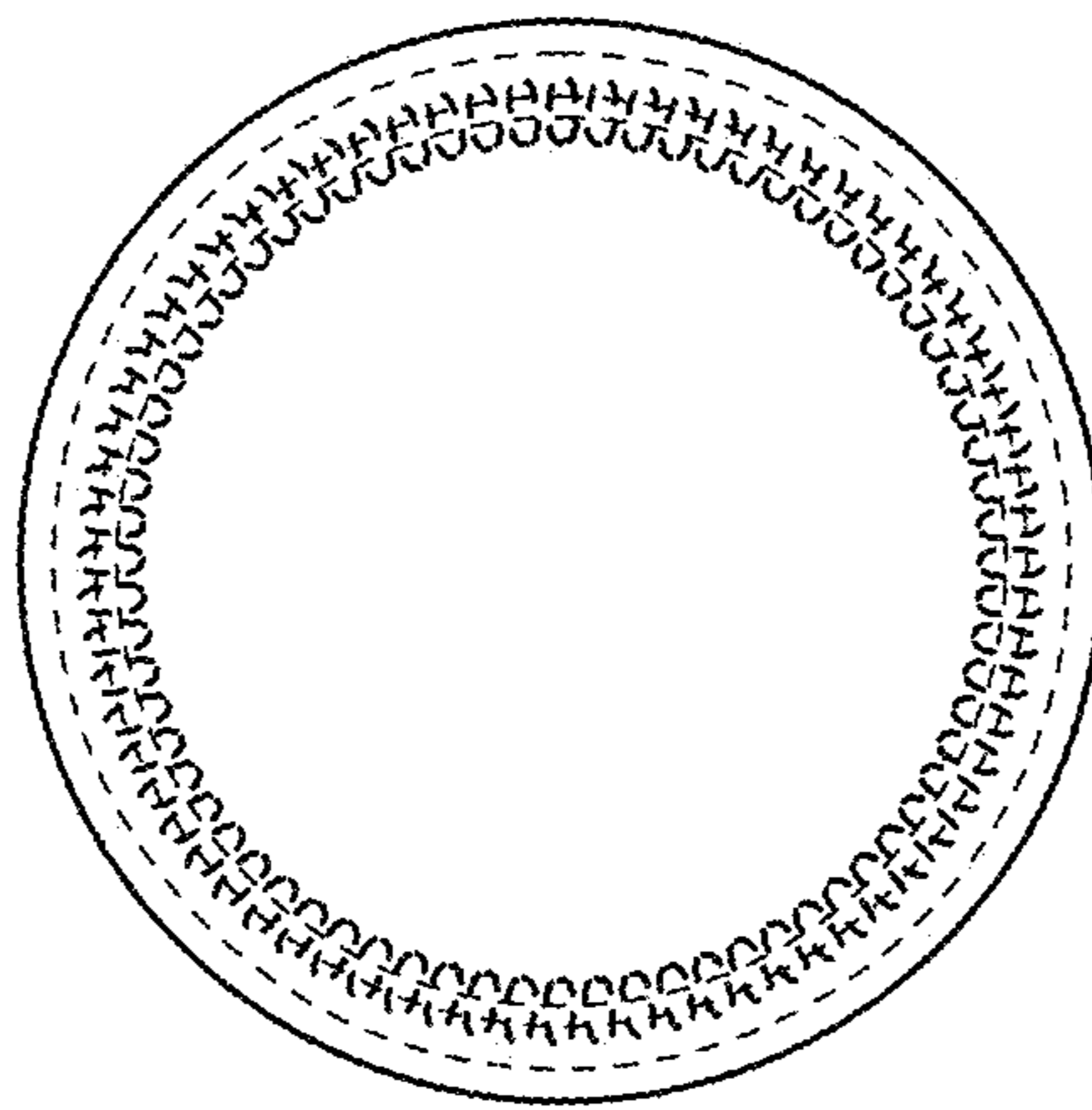


FIG.6



UNITED STATES PATENT AND TRADEMARK OFFICE  
**CERTIFICATE OF CORRECTION**

PATENT NO. : D873,141 S  
APPLICATION NO. : 29/595070  
DATED : January 21, 2020  
INVENTOR(S) : John Wiebelitz

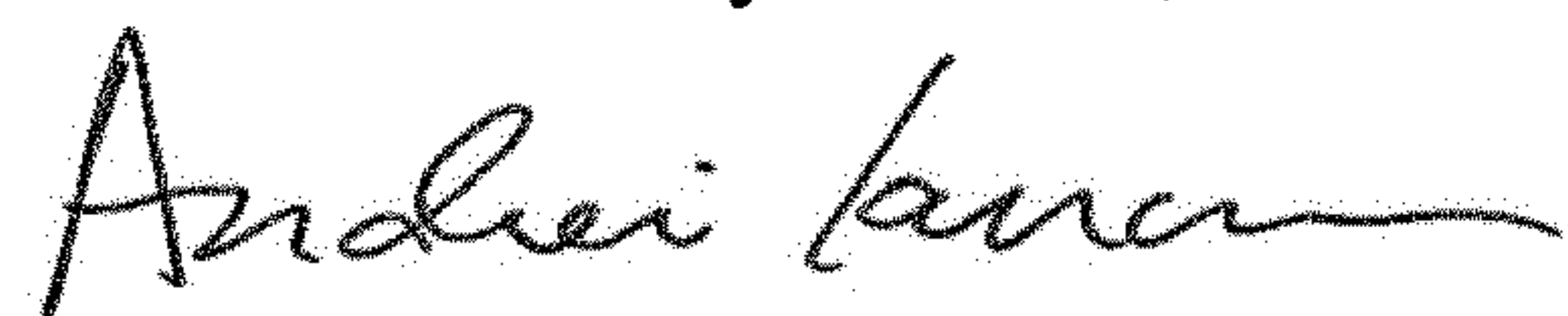
Page 1 of 1

It is certified that error appears in the above-identified patent and that said Letters Patent is hereby corrected as shown below:

On the Title Page

Add the following: (30) Foreign Application Priority Data, September 4, 2015 (DE) 402015203049.5

Signed and Sealed this  
Thirtieth Day of June, 2020



Andrei Iancu  
*Director of the United States Patent and Trademark Office*