

US00D873139S

(12) **United States Design Patent**
Chapin et al.

(10) **Patent No.:** **US D873,139 S**
(45) **Date of Patent:** **** Jan. 21, 2020**

(54) **ANNULAR LID FOR A TRAP**

(71) Applicant: **Sterling International Inc.**, Spokane, WA (US)

(72) Inventors: **Marc Chapin**, Spokane, WA (US);
Qing-He Zhang, Greenacres, WA (US);
Rodney G. Schneidmiller, Greenacres, WA (US)

(73) Assignee: **Sterling International Inc.**, Spokane, WA (US)

(**) Term: **15 Years**

(21) Appl. No.: **29/635,565**

(22) Filed: **Jan. 31, 2018**

(51) **LOC (12) Cl.** **09-07**

(52) **U.S. Cl.**
USPC **D9/453**

(58) **Field of Classification Search**
USPC D3/202, 203.1, 203.2, 318; D7/300, D7/300.1, 316, 317, 323, 354, 387, 391, D7/392, 392.1, 396.1, 396.2, 397, 398, D7/503, 509, 510, 511, 523, 526-531, D7/538, 566, 568, 600.1, 602, 603, 614, D7/619.1, 629, 704, 900; D8/14, 14.1, D8/45; D9/434, 435, 440, 447, 452, 453, D9/499, 516, 529, 686, 723; D23/259, D23/260, 261; D24/121, 127, 199, 224
CPC B65D 2517/5091; B65D 41/04; B65D 23/12; B65D 1/0246; B65D 47/265; B65D 47/065; B65D 51/24; B65D 51/224; B65D 51/245; B65D 2101/0015; B65D 2251/0093; B65D 85/72; B65D 51/18; B65D 51/28; B65D 51/242; B65D 51/2814; B65D 51/2821; B65D 21/0228; B65D 41/3447; B65D 1/02; A61L 9/12; A47G

(Continued)

(56) **References Cited**

U.S. PATENT DOCUMENTS

D57,050 S * 2/1921 Ingram D9/452
1,667,003 A * 4/1928 Hardiman B65D 41/04
215/333

(Continued)

OTHER PUBLICATIONS

Rescue Fly Trap: Announced Oct. 31, 2017 [online]. Site Visited [Jul. 18, 2019]. Available from Interent URL: <https://www.rescue.com/products/traps/disposable-fly-trap/>.*

(Continued)

Primary Examiner — Jennifer Rivard

Assistant Examiner — Catherine S Posthauer

(74) *Attorney, Agent, or Firm* — Christensen O'Connor Johnson Kindness, PLLC

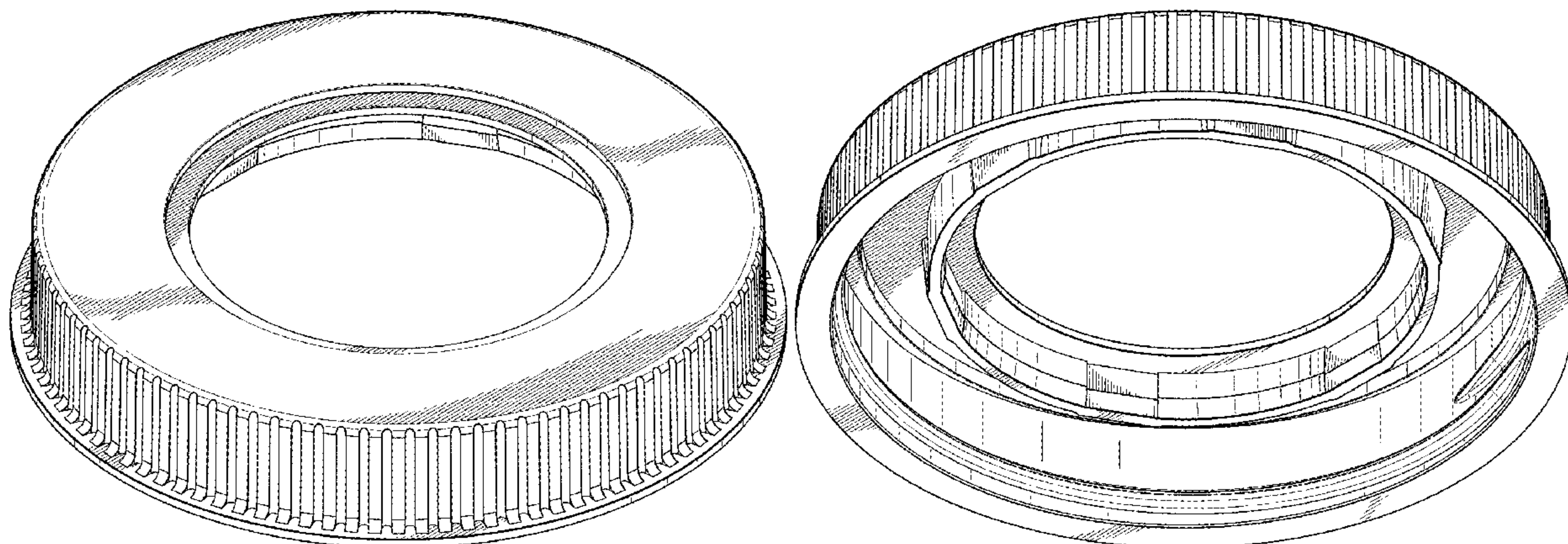
(57) **CLAIM**

The ornamental design for an annular lid for a trap, as shown and described.

DESCRIPTION

FIG. 1 is a front elevation view of an annular lid for a trap, showing our new design, in an environment of use with an exemplary container and entry structure for a trap; FIG. 2 is a front upper perspective view thereof with the exemplary environmental subject matter removed to show aspects of the design not visible when combined; FIG. 3 is a front lower perspective view thereof; FIG. 4 is a top plan view thereof; FIG. 5 is a bottom plan view thereof; FIG. 6 is a front elevation view thereof; and, FIG. 7 is a cross-sectional view of the annular lid for a trap thereof, taken in the direction of line 7-7 on FIG. 4. The broken lines are shown for the purpose of illustrating environmental subject matter of an exemplary container and entry structure and form no part in the claimed design.

1 Claim, 6 Drawing Sheets



(58) **Field of Classification Search**
 CPC 19/2205; A47G 19/2222; A47G 19/2266;
 A47G 19/2272; A47G 19/2294; A47J
 43/27; B05B 7/2437; B05C 17/00576
 See application file for complete search history.

(56) **References Cited**

U.S. PATENT DOCUMENTS

4,048,845	A	9/1977	Gilbert	
4,873,787	A	10/1989	Schneidmiller	
D315,507	S *	3/1991	Ochs	D9/453
D318,804	S *	8/1991	Ochs	D9/453
D371,276	S *	7/1996	Laib	D7/388
D384,550	S *	10/1997	Dernoga	D7/387
D384,857	S *	10/1997	Beaule	D7/387
5,816,421	A *	10/1998	Clodfelter	B65D 50/00 215/201
5,896,697	A *	4/1999	Kang	A01M 1/02 43/133
D419,071	S *	1/2000	Peters	D9/449
D437,228	S *	2/2001	Collins	D9/453
D442,864	S *	5/2001	Davies	D9/454
D502,052	S *	2/2005	Meade	D7/388
D513,181	S *	12/2005	Bloom	D9/453
D516,911	S *	3/2006	Bloom	D9/453
D518,717	S *	4/2006	German	D9/453
D520,596	S *	5/2006	Johnson	D23/209
D534,802	S *	1/2007	German	D9/453
7,306,108	B2 *	12/2007	Cleevly	B29C 43/18 215/252
D574,708	S *	8/2008	Reed	D9/453
D592,954	S *	5/2009	Capretta	D9/453
D634,633	S *	3/2011	Moreau	D9/448
D642,057	S *	7/2011	Reed	D9/453
D649,049	S *	11/2011	Fields	D7/387
D651,897	S *	1/2012	Miceli	D7/387

D682,612	S	5/2013	Rzepecki	
D688,128	S *	8/2013	Krause	B65D 41/0414 D9/453
D694,109	S *	11/2013	Tanner	D9/447
D696,952	S *	1/2014	Sawicki	D9/516
D697,366	S *	1/2014	Kristinik	D7/392.1
D751,898	S *	3/2016	D'Anglade	D9/435
D752,975	S *	4/2016	Gatto	D9/434
D778,397	S *	2/2017	Zhang	D22/122
D833,581	S *	11/2018	Atwell	D23/259
D836,440	S *	12/2018	Girins	D9/453
2003/0132244	A1 *	7/2003	Birkmayer	B65D 41/3442 222/83
2003/0160020	A1 *	8/2003	Oh	B65D 41/04 215/330
2006/0185448	A1 *	8/2006	Sakal	B01L 3/50825 73/863
2009/0196798	A1 *	8/2009	Sassa	A61J 1/1406 422/400
2013/0205718	A1 *	8/2013	Kapolas	B65D 79/005 53/408
2017/0253399	A1 *	9/2017	Shen	B65D 51/28
2018/0079552	A1 *	3/2018	Ayeni	B65D 21/0217
2018/0099796	A1 *	4/2018	Migas	B65D 41/34
2018/0099797	A1 *	4/2018	Biesecker Longacre	B65D 41/20

OTHER PUBLICATIONS

Screw Cap with Septa: Site Visited [Jul. 31, 2019]. Available from Interent URL: <https://ecatalog.coming.com/life-sciences/b2c/EUOther/en/General-Labware/Caps/PYREX%C2%AE-Bottle,-Storage,-Screw-Caps/p/1395-25SS>.
 "Rescue® Pop! Fly Trap," Sterling International, Inc., Spokane, Washington <<http://www.rescue.com/products/traps/pop-fly-trap>> [retrieved May 10, 2018], 3 pages.

* cited by examiner

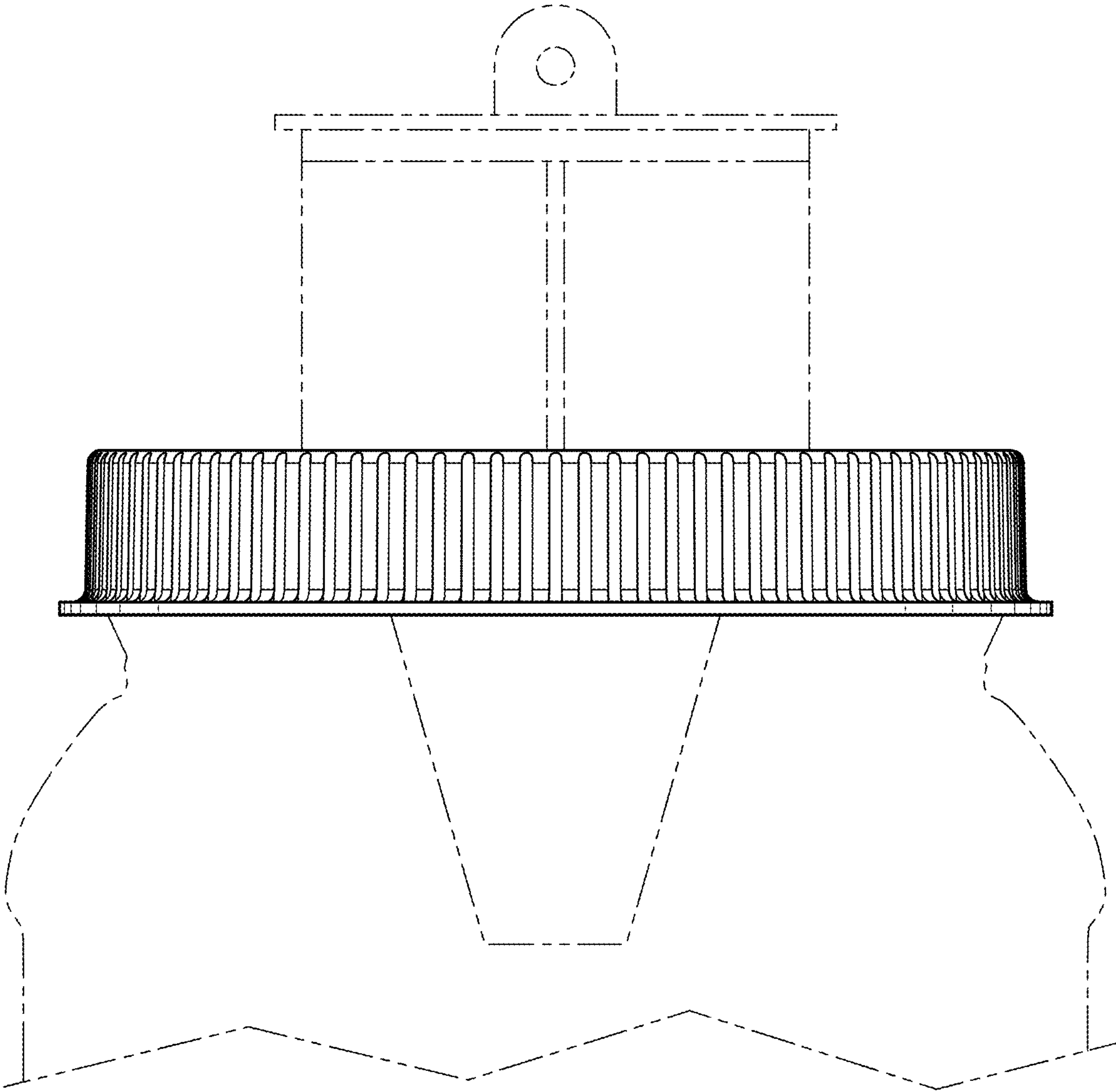


Fig. 1.

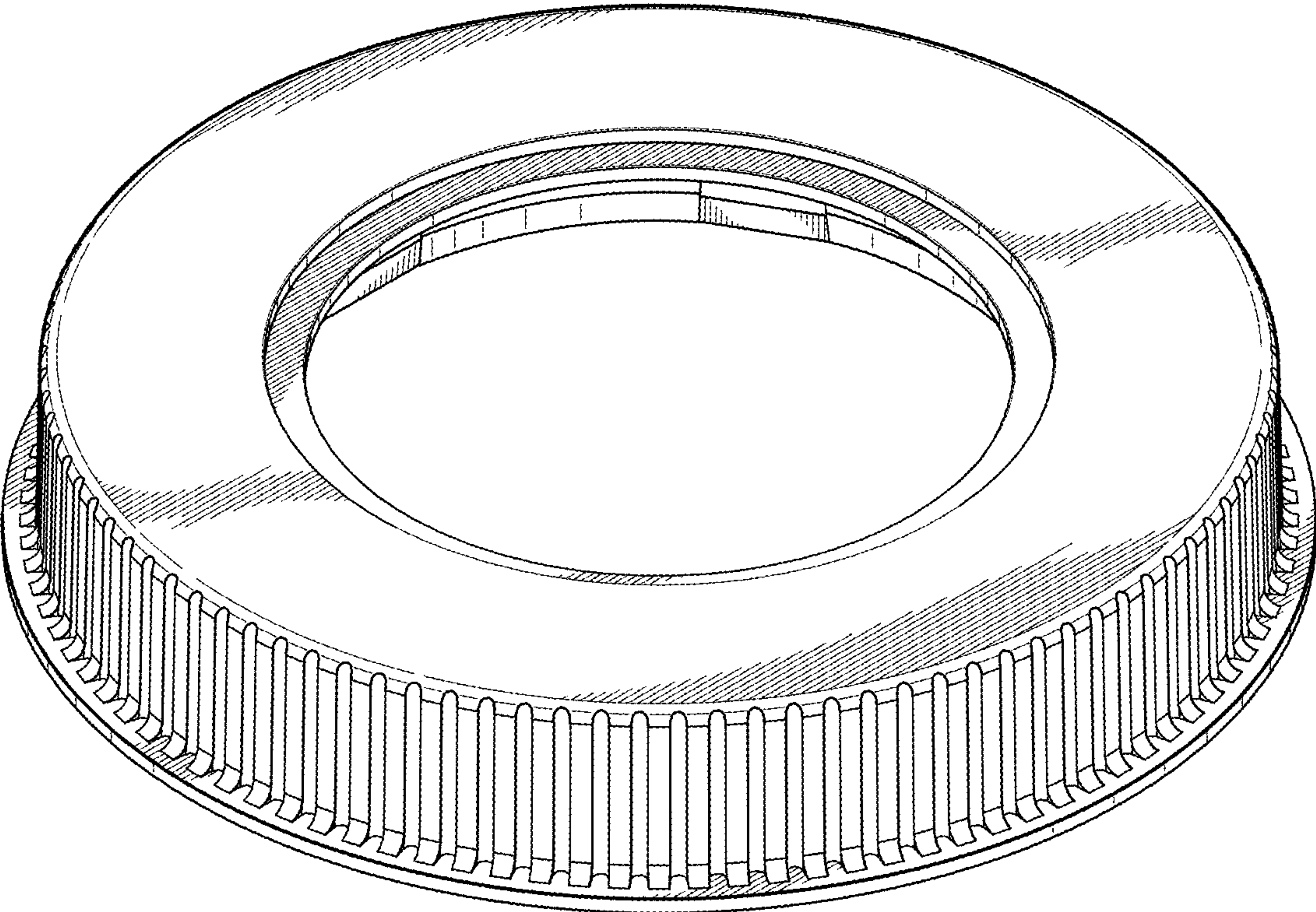


Fig. 2.

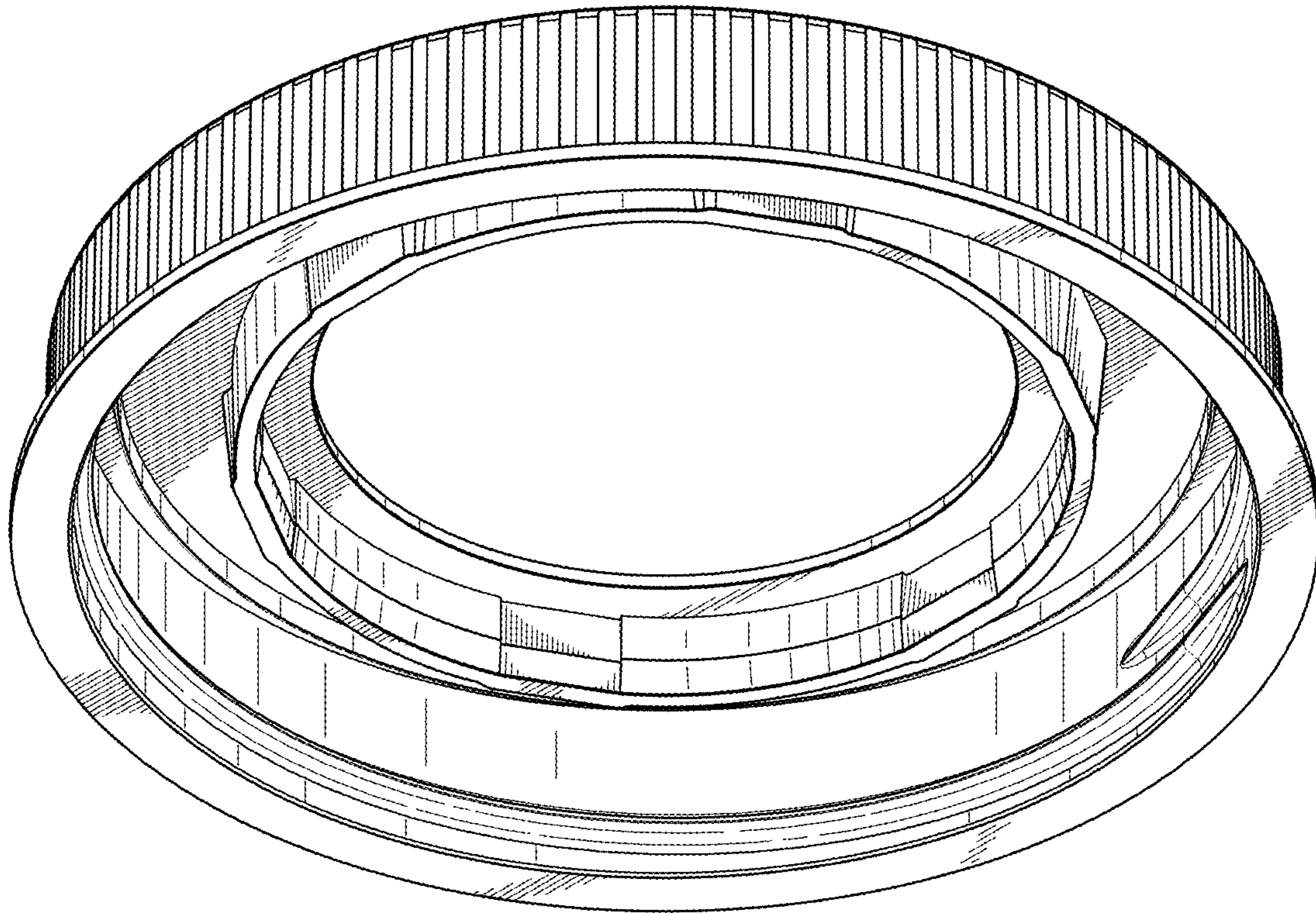


Fig. 3.

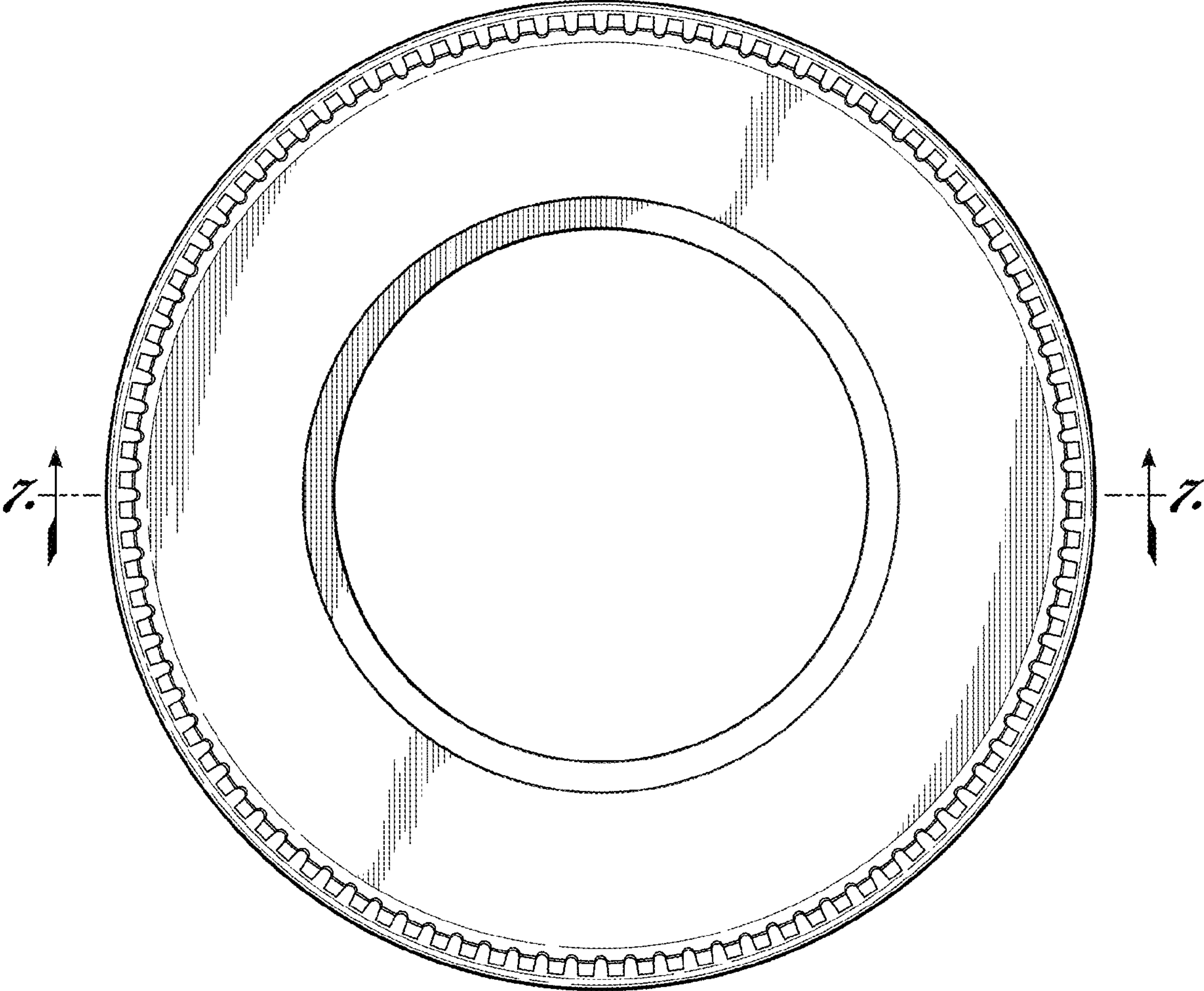


Fig. 4.

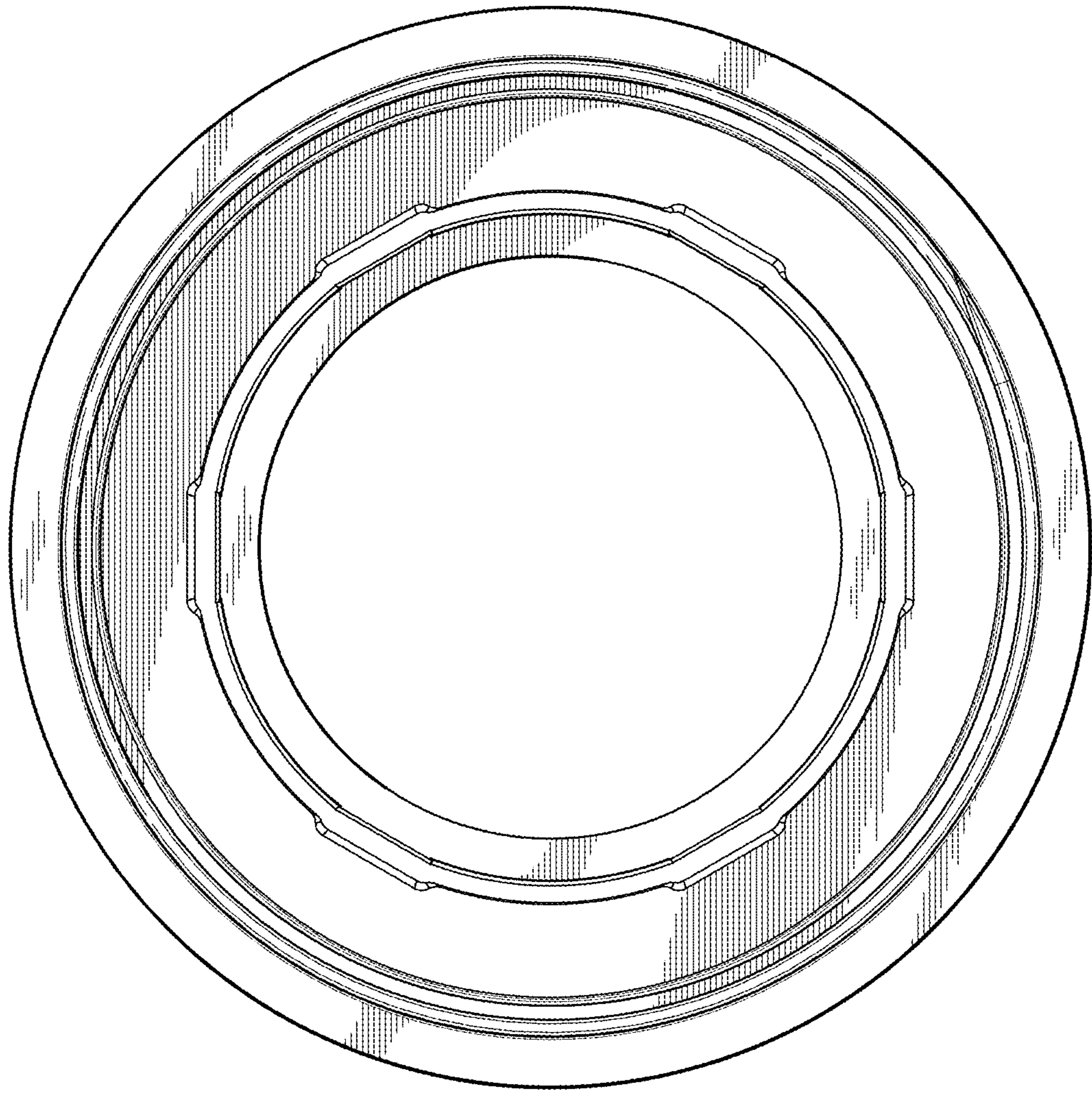


Fig. 5.

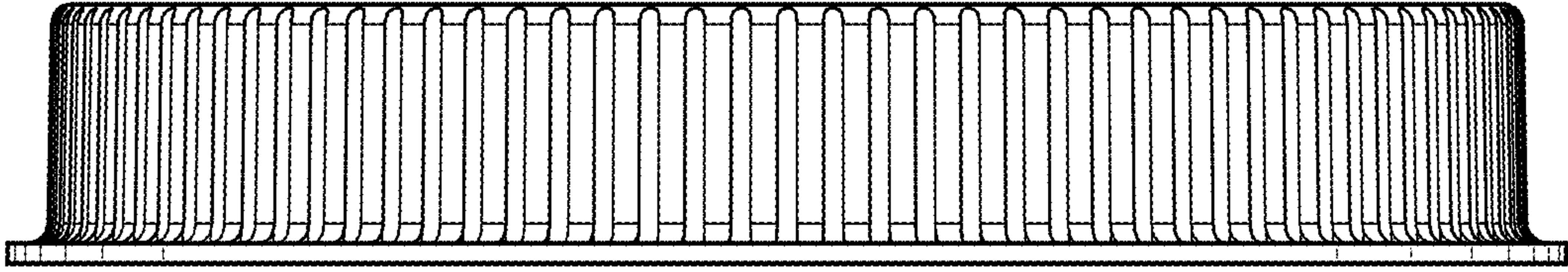


Fig. 6.

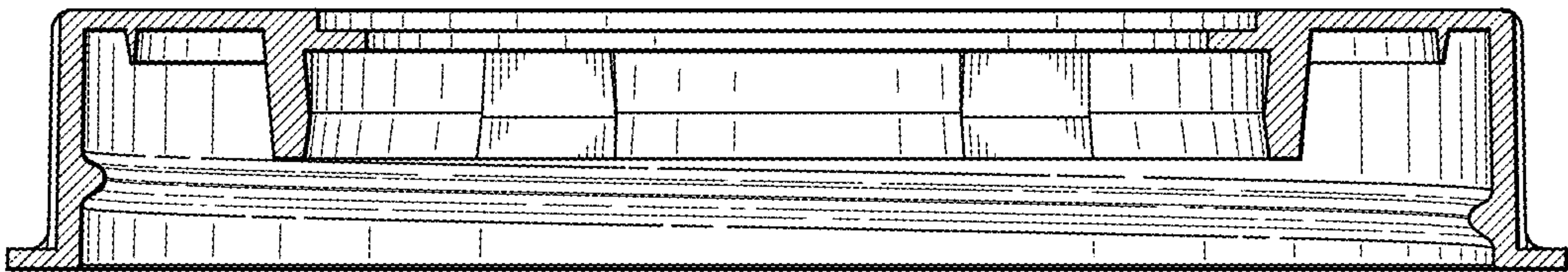


Fig. 7.