



US00D873138S

(12) **United States Design Patent**
Cramton

(10) **Patent No.:** **US D873,138 S**
(45) **Date of Patent:** **** Jan. 21, 2020**

(54) **BOTTLE CAP SHAPED LIKE THE HANDLE OF A BASEBALL BAT**

(71) Applicant: **Lester C. Cramton**, Duncan, OK (US)

(72) Inventor: **Lester C. Cramton**, Duncan, OK (US)

(**) Term: **15 Years**

(21) Appl. No.: **29/643,796**

(22) Filed: **Apr. 11, 2018**

(51) **LOC (12) Cl.** **09-07**

(52) **U.S. Cl.**
USPC **D9/451**

(58) **Field of Classification Search**
USPC D7/514-520, 539, 571, 301, 599, 604,
D7/613, 619.2, 623, 625, 628, 392.1;
D9/600, 668, 434-435, 441, 451;
206/494, 457, 459.1, 459.2; 220/890;
215/206, 260, 387-400; D21/725,
D21/756-757

CPC B65D 67/00; B65D 81/36; B65D 81/366;
B65D 41/00; B65D 41/02; B65D 43/00;
B65D 43/02; B65D 5/42; A63H 33/10
See application file for complete search history.

(56) **References Cited**

U.S. PATENT DOCUMENTS

1,638,454	A *	8/1927	Papin	A63B 53/14
					D21/756
D267,854	S *	2/1983	Witt, Jr.	D9/668
D386,678	S *	11/1997	Tyra	D21/725
D419,378	S *	1/2000	Madden	D7/515
D419,379	S *	1/2000	Madden	D7/515
D421,567	S	3/2000	Caporella et al.		
D451,010	S *	11/2001	Davis	D9/668
D642,067	S *	7/2011	Azar	D21/725
D668,307	S *	10/2012	Grimm	D21/725
D719,034	S	12/2014	Sauczuk et al.		
D826,727	S *	8/2018	Draper	A63B 53/14
					D9/668

OTHER PUBLICATIONS

Homerun Baseball Bat with Gumballs, published Jan. 6, 2016.
<https://www.wholesalecentral.com/wholesale-softball-sporting-goods-product-page.html>.*

Oriental Trading, "Double Bubble Bubble Gumball-Filled Bat" [online] webpage retrieved from http://www.orientaltrading.com/dubble-bubble-bubble-gumball-filled-bat-a2-_K1653.fltr?sku=%2FK1653&BP=PS544&ms=search&source=bing&cm_mmc=BingPLA-_268616678-_1179776531573559_-_2FK1653&cm_mmca1=OTC%2BPLAs&cm_mmca2=BingPLAs&cm_mmca3=PS544&cm_mmca4=FS39&cm_mmca5=Shopping&cm_mmca6=PLAs undated.

* cited by examiner

Primary Examiner — Sandra L Morris

(74) *Attorney, Agent, or Firm* — Mary M. Lee

(57) **CLAIM**

The ornamental design for a bottle cap shaped like the handle of a baseball bat, as shown and described.

DESCRIPTION

FIG. 1 is a perspective view of a bottle with a bottle cap shaped like the handle of a baseball bat showing my new design;

FIG. 2 is an exploded perspective view thereof;

FIG. 3 is another exploded perspective view thereof;

FIG. 4 is a front elevational view of a bottle cap shaped like the handle of a baseball bat showing my new design;

FIG. 5 is a rear elevational view thereof;

FIG. 6 is a right side elevational view thereof;

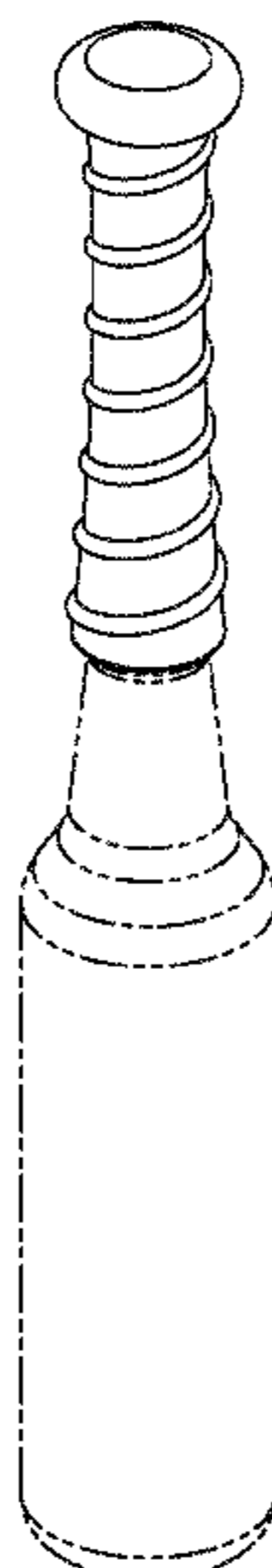
FIG. 7 is a left side elevational view thereof;

FIG. 8 is a top plan view thereof; and,

FIG. 9 is a bottom plan view thereof.

The broken line showing of the bottle in FIGS. 1-3 is included for the purpose of illustrating environment of the article and forms no part of the claimed design. The broken lines inside the bottle cap shaped like the handle of a baseball bat of FIGS. 3 and 9 depict interior threads that form no part of the claimed design.

1 Claim, 9 Drawing Sheets



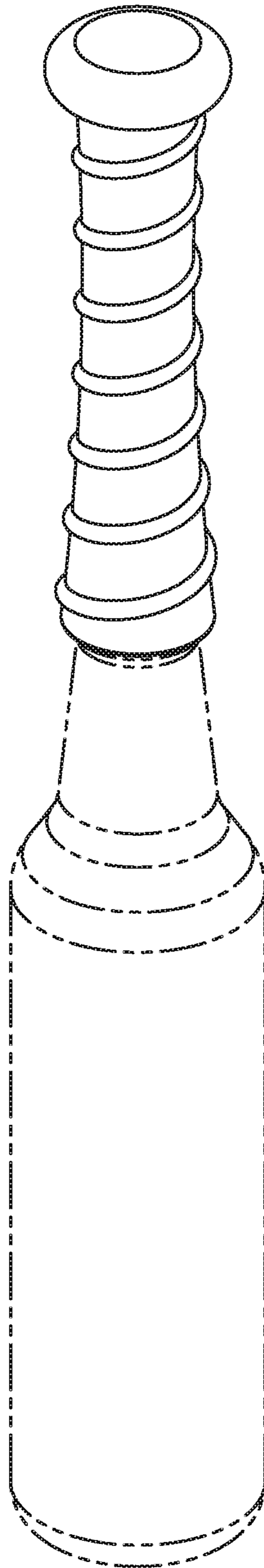


FIG.1

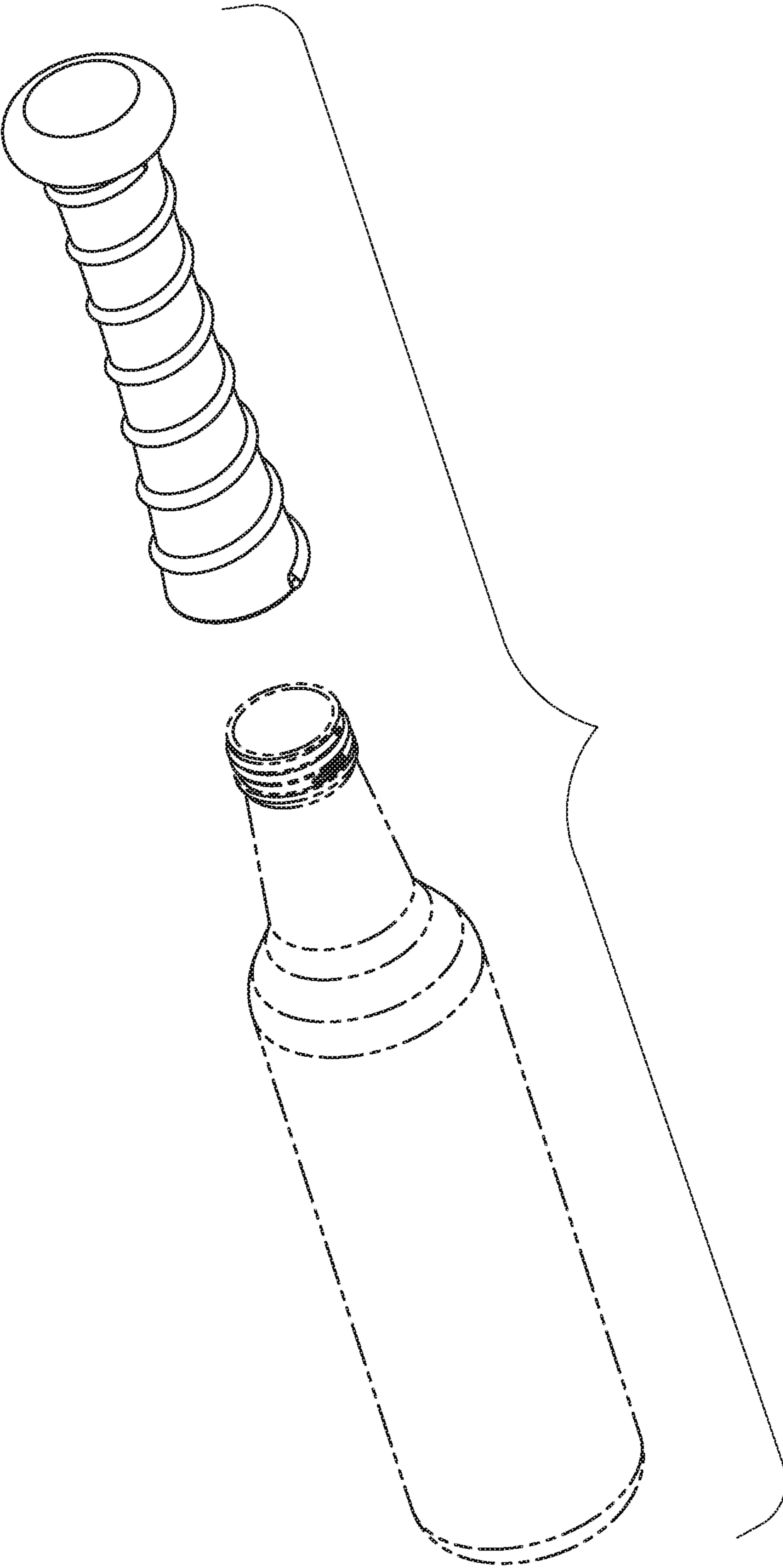


FIG. 2

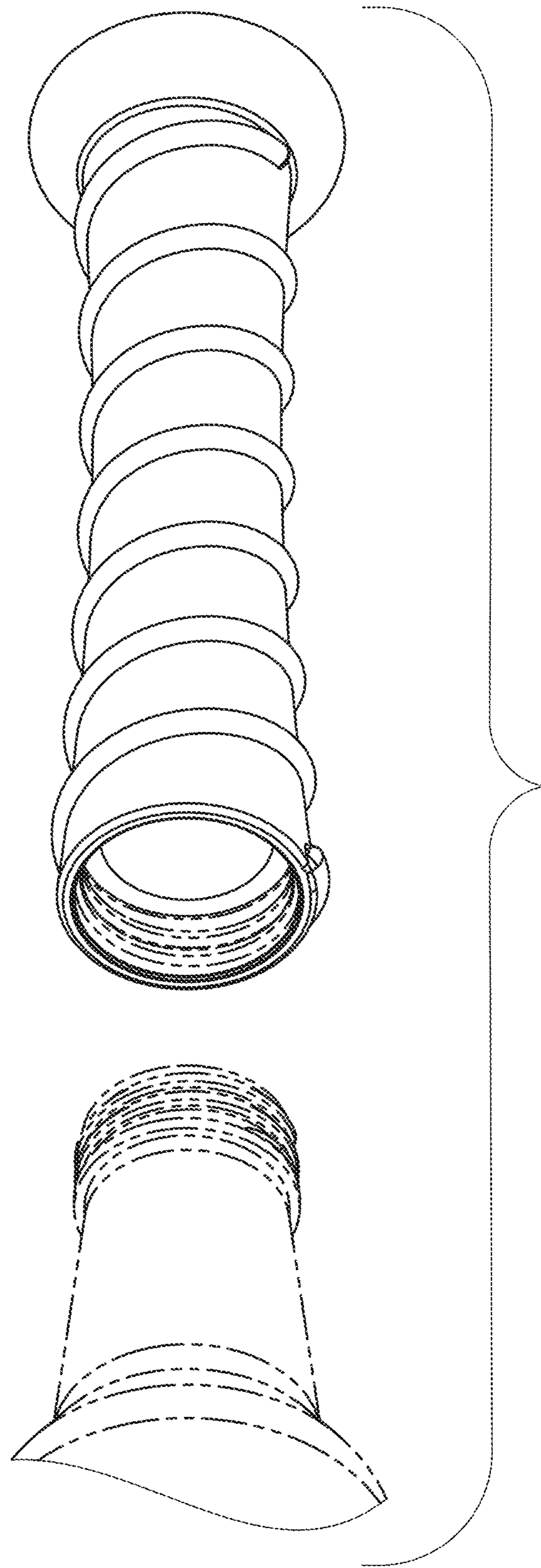


FIG. 3

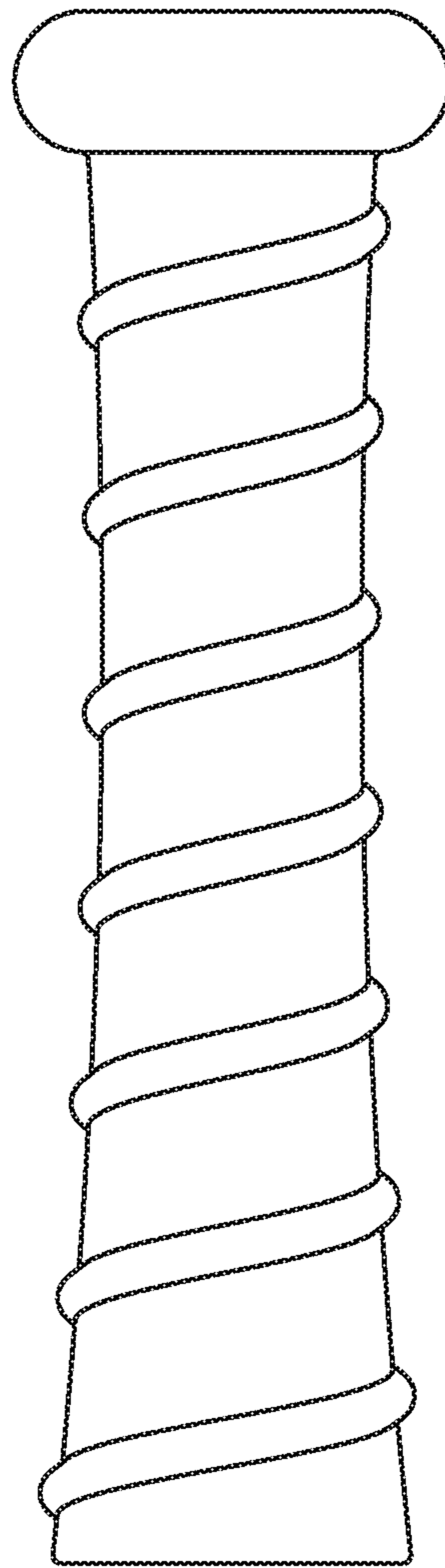


FIG. 4

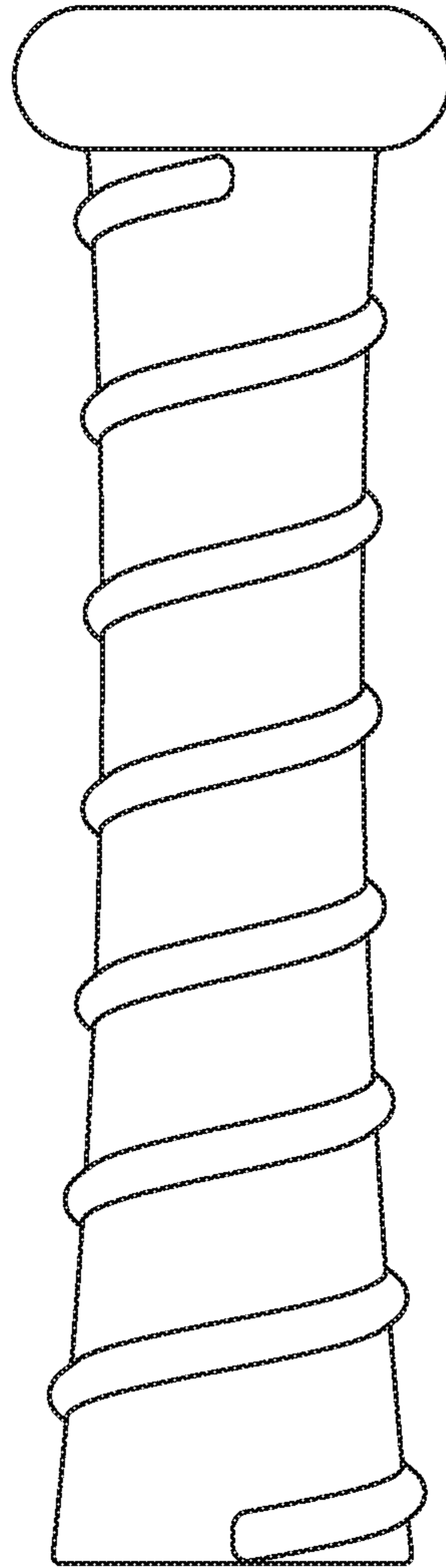


FIG. 5

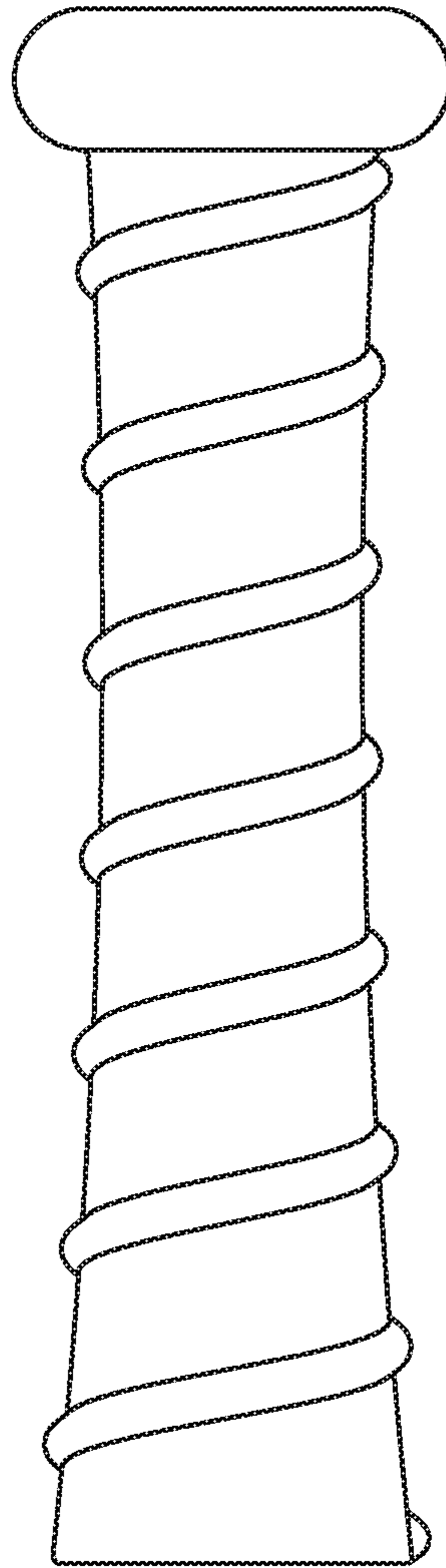


FIG. 6

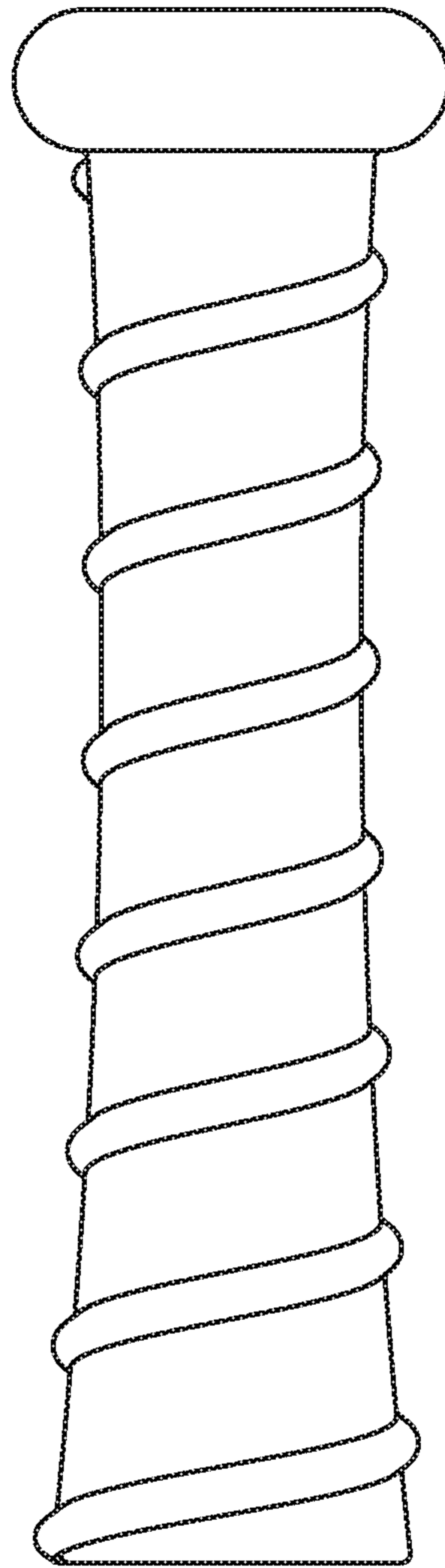


FIG. 7

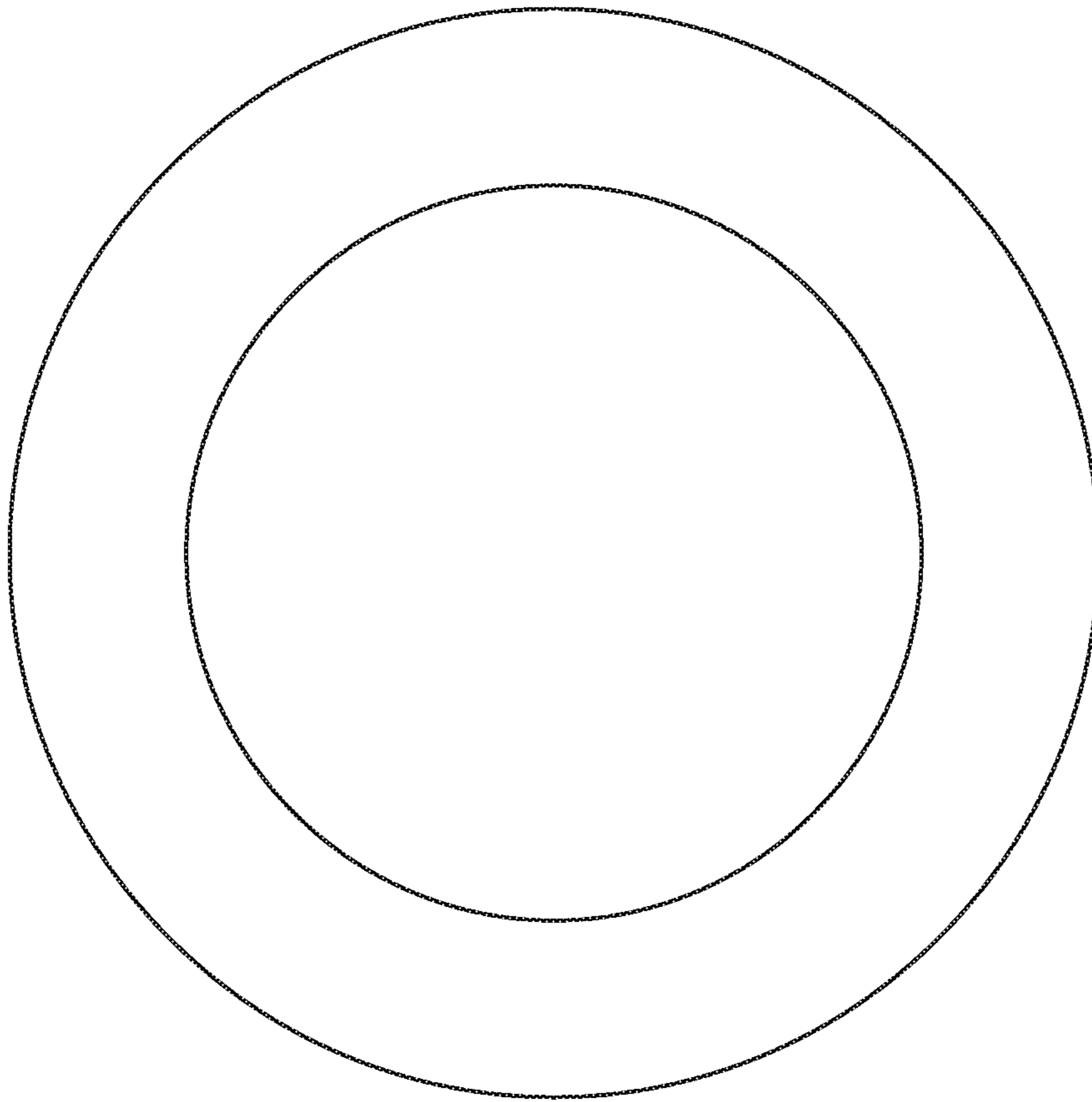


FIG. 8

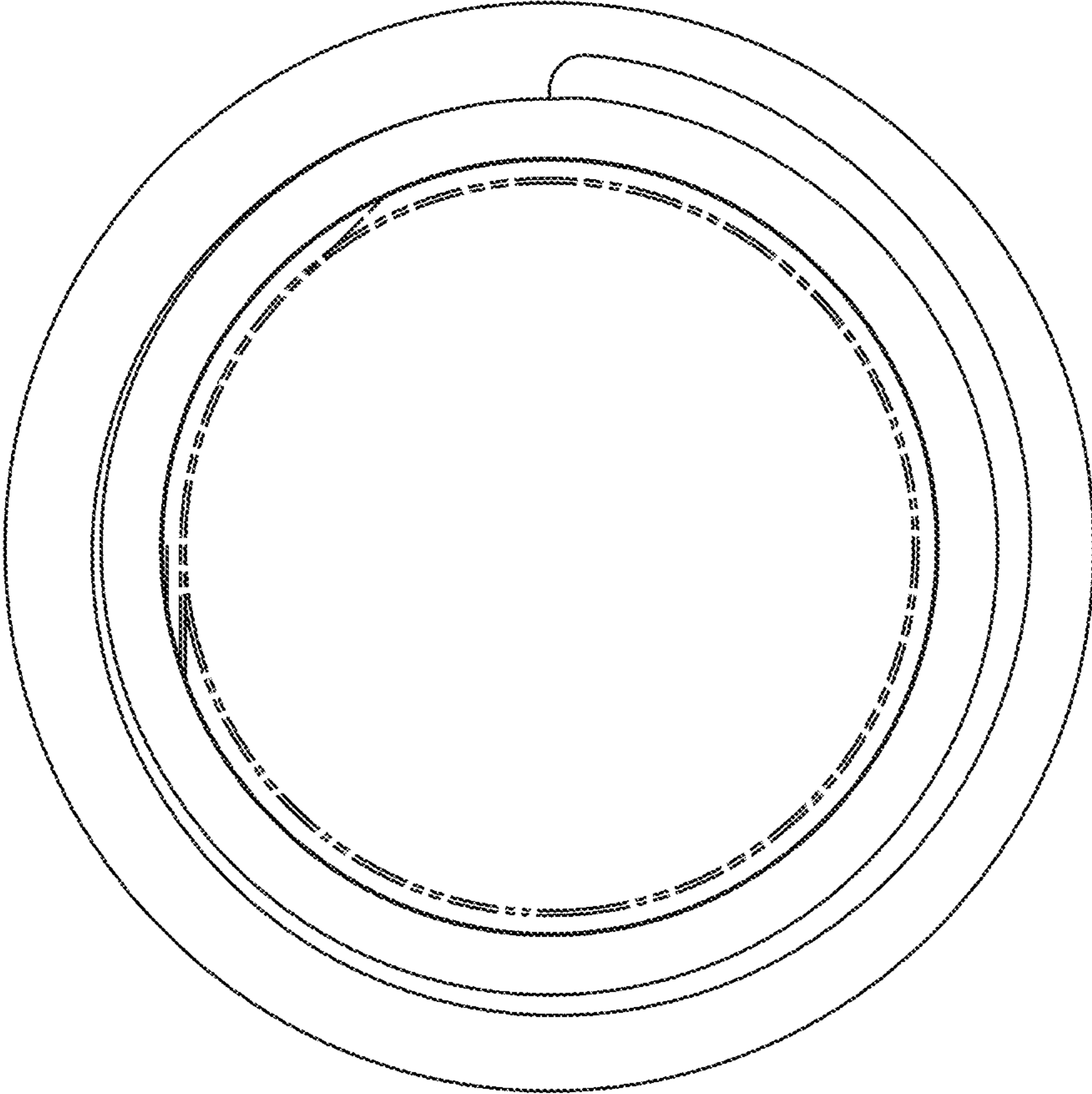


FIG. 9