



US00D873137S

(12) **United States Design Patent** (10) **Patent No.:** **US D873,137 S**  
**Takizawa et al.** (45) **Date of Patent:** **\*\* Jan. 21, 2020**

(54) **SPRAY HEAD FOR A CONTAINER**

(71) Applicant: **Mitani Valve Co., Ltd.**, Tokyo (JP)  
(72) Inventors: **Osamu Takizawa**, Tokyo (JP); **Masato Suzuki**, Tokyo (JP)  
(73) Assignee: **MITANI VALVE CO., LTD.**, Tokyo (JP)  
(\*\*) Term: **15 Years**

(21) Appl. No.: **29/592,035**

(22) Filed: **Jan. 26, 2017**

(30) **Foreign Application Priority Data**

Jul. 29, 2016 (JP) ..... 2016-016305  
Nov. 25, 2016 (JP) ..... 2016-025677

(51) **LOC (12) Cl.** ..... **09-07**

(52) **U.S. Cl.**  
USPC ..... **D9/448**

(58) **Field of Classification Search**  
USPC ..... D9/414, 415, 424, 425, 434, 435, 436,  
D9/443, 444-452, 454-456, 499, 529,  
D9/682, 685, 686, 503; D7/387, 391,  
D7/392, 392.1, 396.1, 396.2, 396.3,  
D7/396.4, 397, 398, 401.1, 507, 509-511,  
D7/538, 900; D3/202, 203.2; D28/91,  
D28/91.1  
CPC .. A61J 1/00; A61J 1/1412; B65D 1/00; B65D  
1/02; B65D 1/10; B65D 1/46; B65D  
2585/56; B65D 2585/545; B65D 41/00;  
B65D 41/38; B65D 41/56; B65D 41/62;  
B65D 47/00; B65D 47/06; B65D 47/08;  
B65D 2543/00046; B65D 2543/00092;  
B65D 2543/00296; B65D 5/46; B65D  
2251/00

See application file for complete search history.

(56) **References Cited**

U.S. PATENT DOCUMENTS

D476,558	S	*	7/2003	Cho	.....	D9/685
D489,970	S	*	5/2004	Nelson	.....	D9/688
D507,493	S	*	7/2005	Nelson	.....	D9/685
D539,142	S	*	3/2007	Butler	.....	D9/448
D582,272	S	*	12/2008	Cichy	.....	D9/448
D591,612	S	*	5/2009	Ames	.....	D9/685
D595,575	S	*	7/2009	Cichy	.....	D9/448
7,621,468	B2	*	11/2009	Smith	.....	B65D 83/753 222/402.15
7,784,650	B2	*	8/2010	Bates	.....	B05B 11/3052 222/321.8
D623,071	S	*	9/2010	Driskell	.....	D9/685
D634,194	S	*	3/2011	Driskell	.....	D9/445
D675,103	S	*	1/2013	Broen	.....	D9/682
D691,488	S	*	10/2013	Broen	.....	D9/682
D710,200	S	*	8/2014	Takizawa	.....	D9/448
D710,697	S	*	8/2014	Lind	.....	D9/448
D721,961	S	*	2/2015	Takizawa	.....	D9/448

(Continued)

*Primary Examiner* — Michael A. Pratt  
*Assistant Examiner* — Wendy L Arminio  
(74) *Attorney, Agent, or Firm* — Lucas & Mercanti, LLP

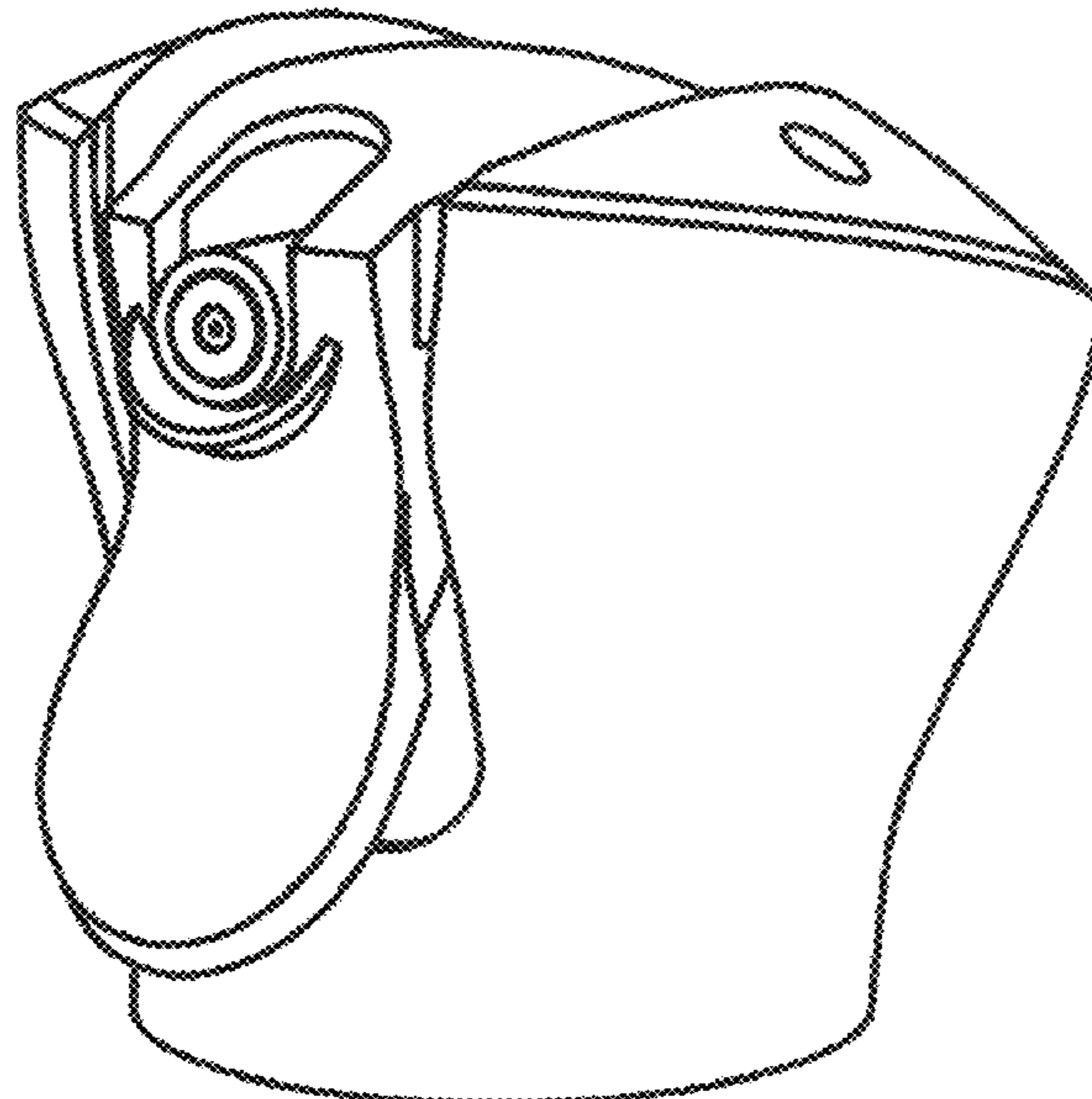
(57) **CLAIM**

The ornamental design for spray head for a container, as shown and described.

**DESCRIPTION**

FIG. 1 is a front view of a spray head for a container;  
FIG. 2 is a back view thereof;  
FIG. 3 is a right side view thereof;  
FIG. 4 is a left side view thereof;  
FIG. 5 is a top view thereof;  
FIG. 6 is a bottom view thereof;  
FIG. 7 is a front perspective view thereof; and,  
FIG. 8 is a back perspective view thereof.  
The broken lines depict portions of the spray head for a container that form no part of the claimed design.

**1 Claim, 8 Drawing Sheets**



(56)

**References Cited**

U.S. PATENT DOCUMENTS

D731,321 S *	6/2015	Farrell .....	D9/685
D732,398 S *	6/2015	Landrum .....	D9/682
D758,878 S *	6/2016	Hoeke .....	D9/682
D761,650 S *	7/2016	Hoeke .....	D9/448
D777,033 S *	1/2017	Takizawa .....	D9/448
D795,067 S *	8/2017	Bloc .....	D9/449
9,758,294 B2 *	9/2017	McDaniel .....	B29B 11/14

\* cited by examiner

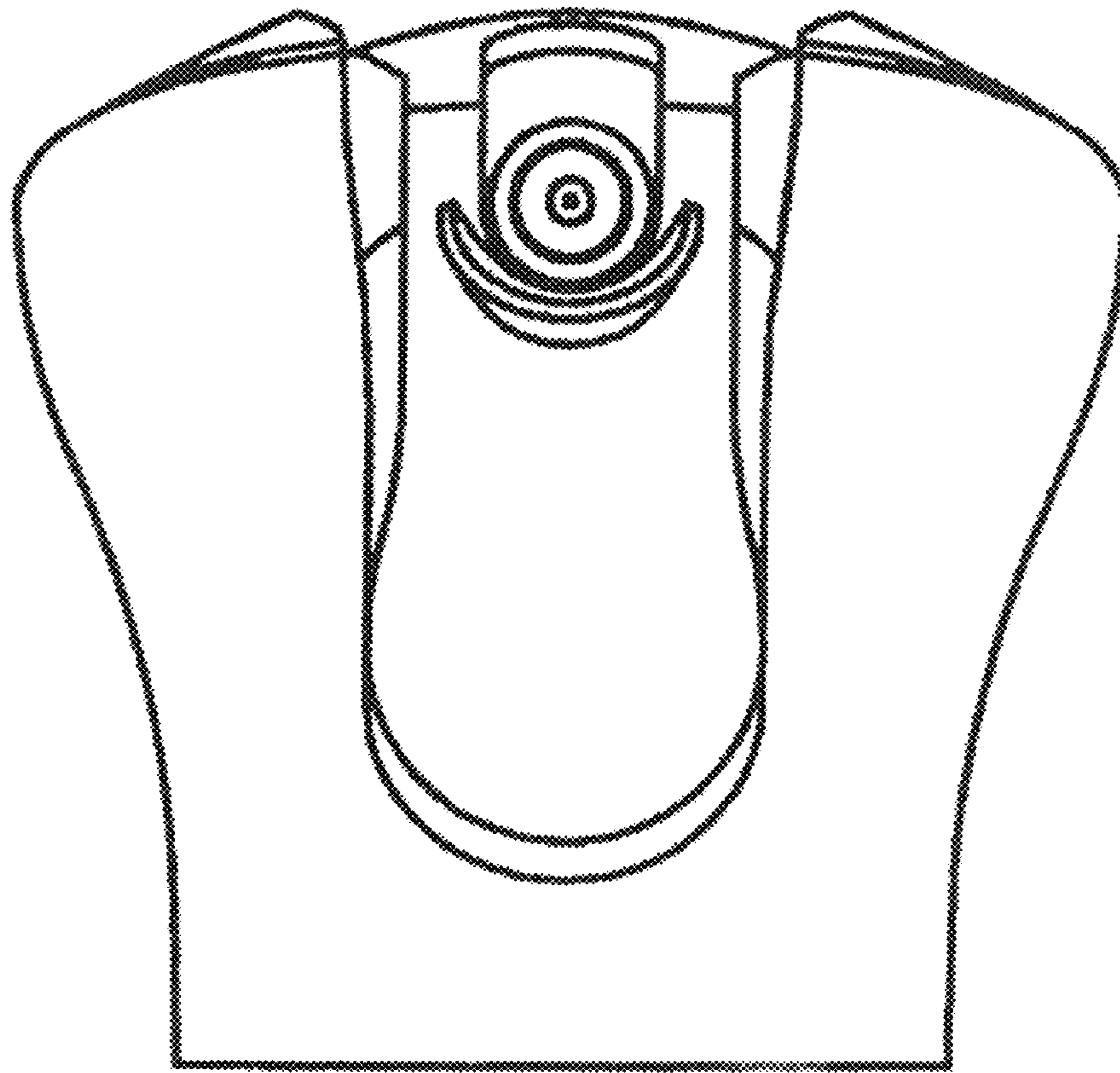


FIG. 1

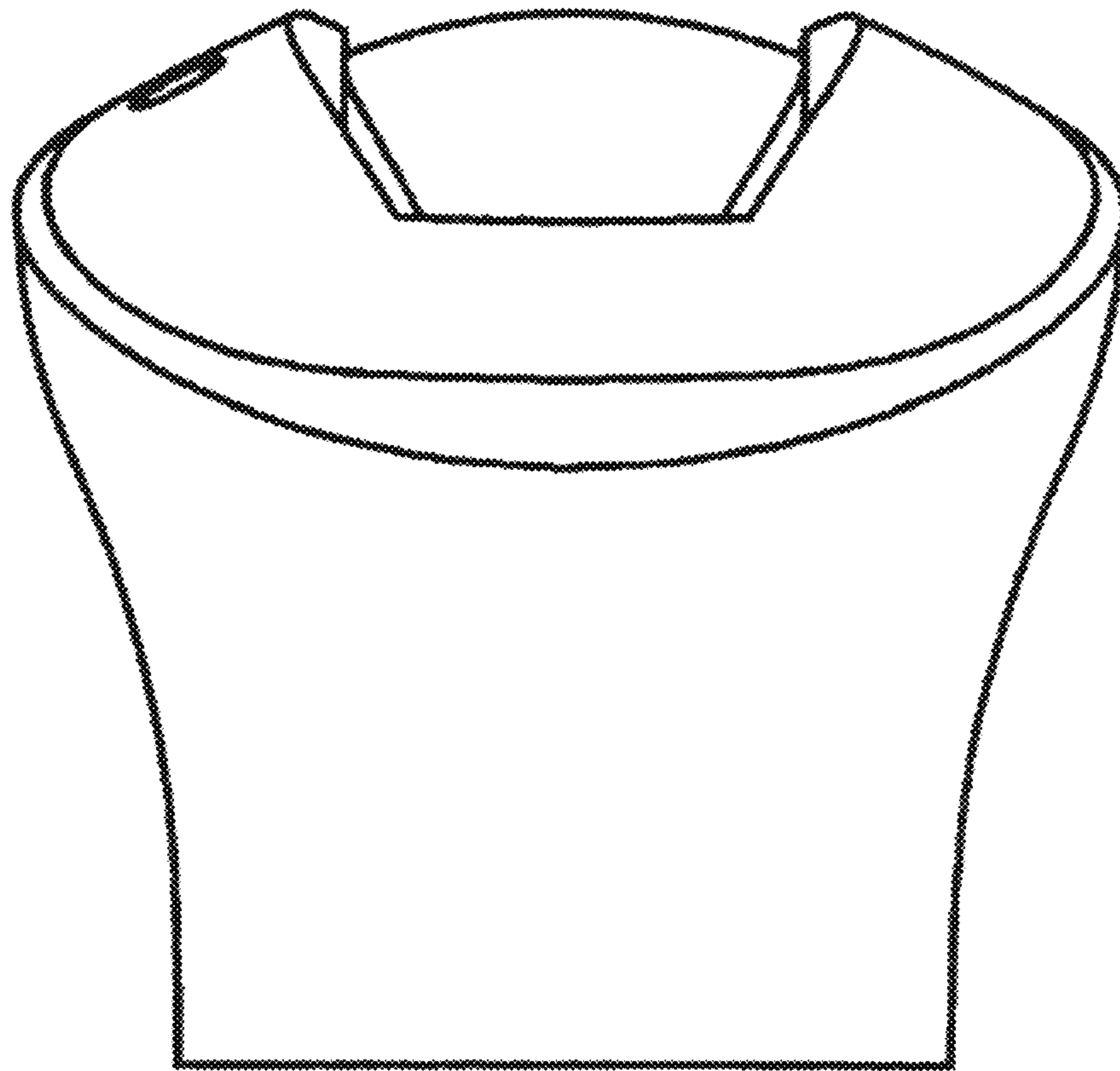


FIG. 2

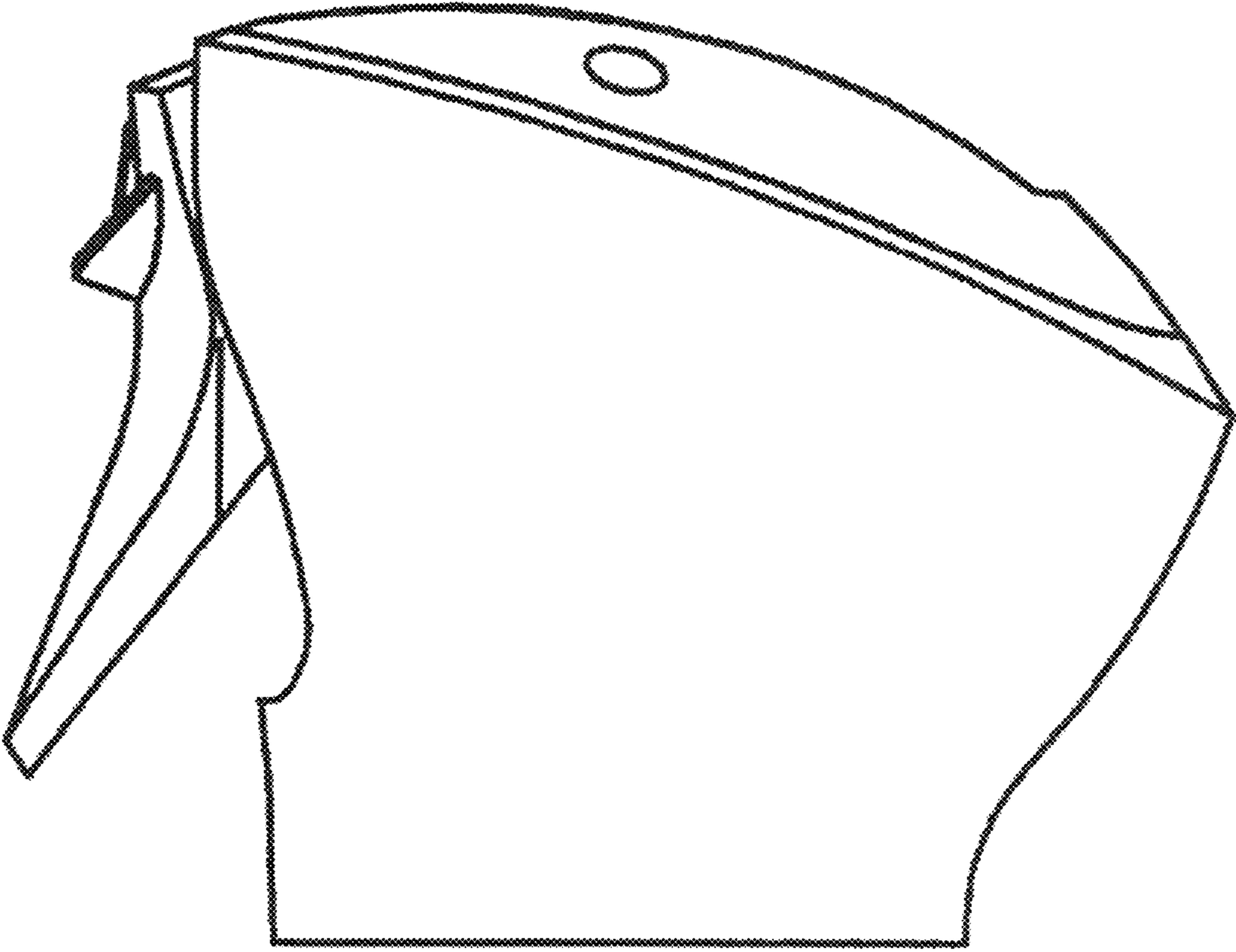


FIG. 3

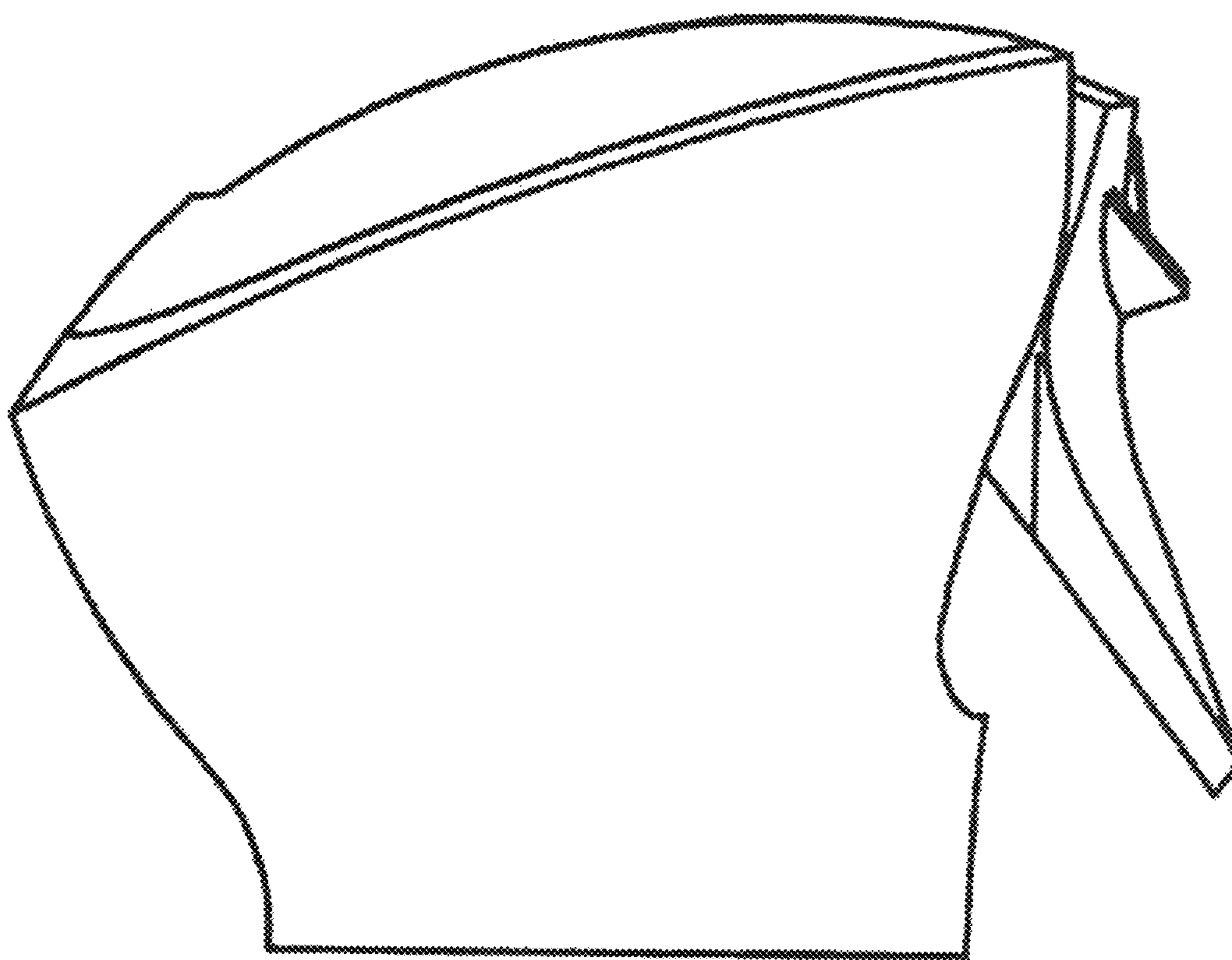


FIG. 4

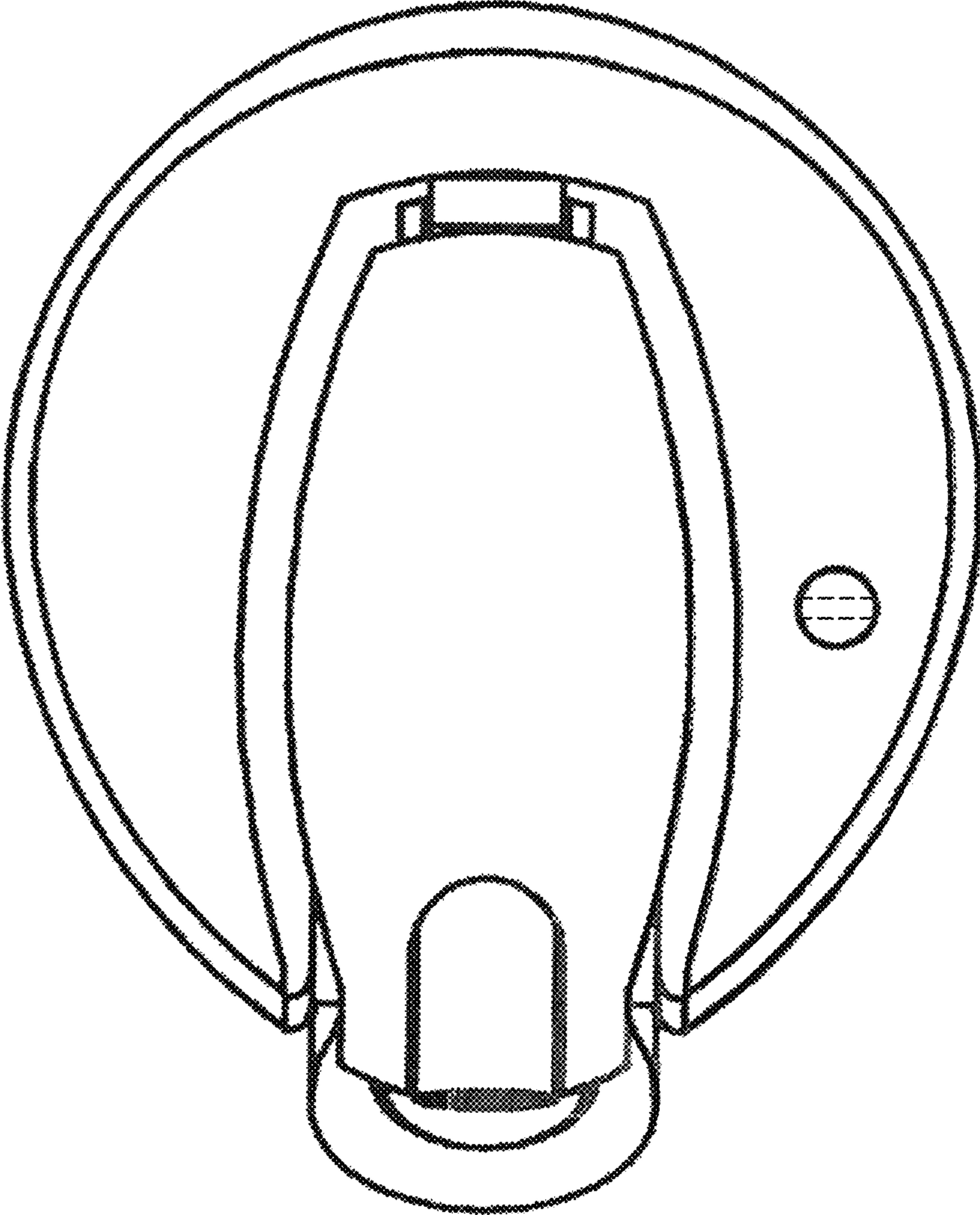


FIG. 5

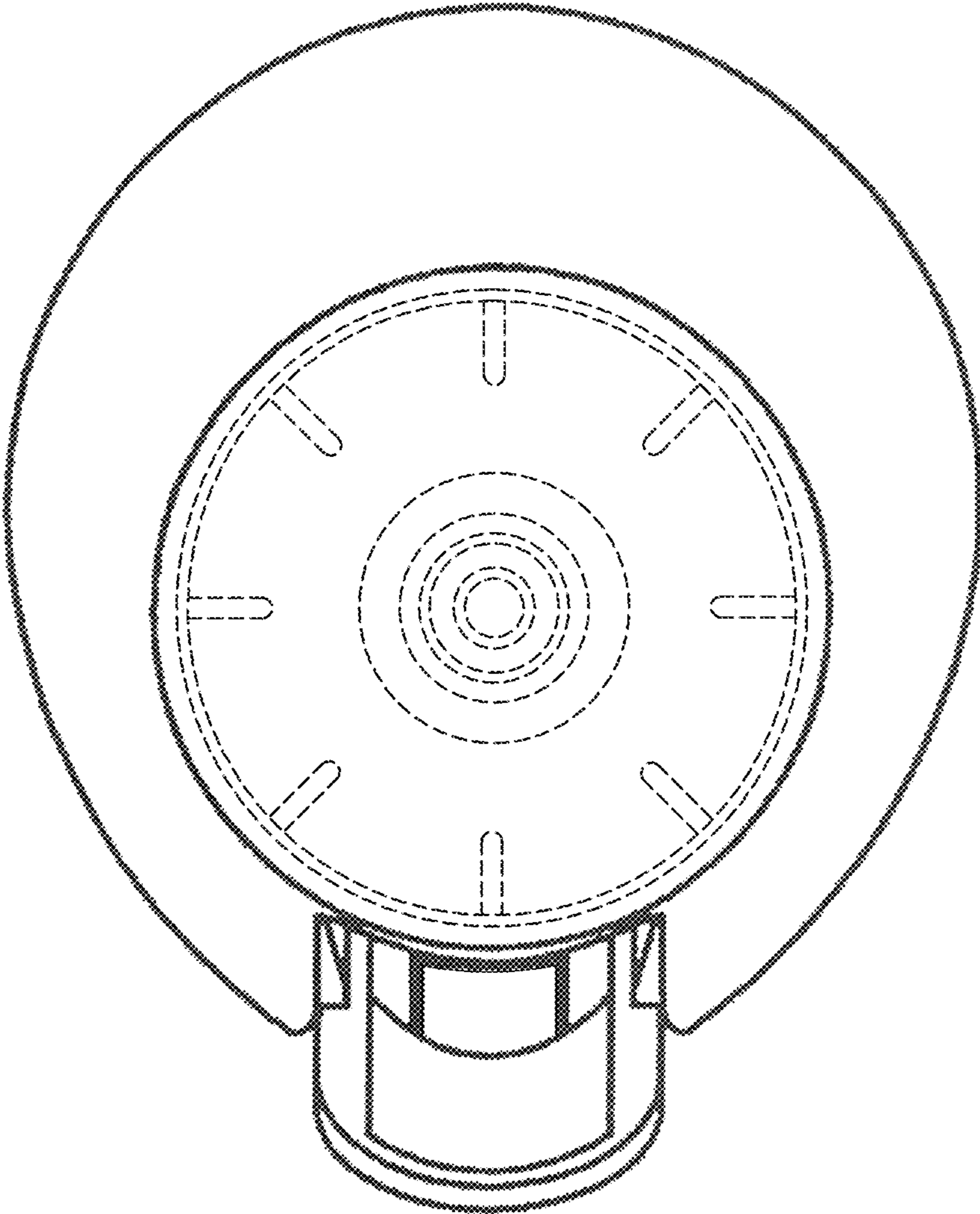


FIG. 6



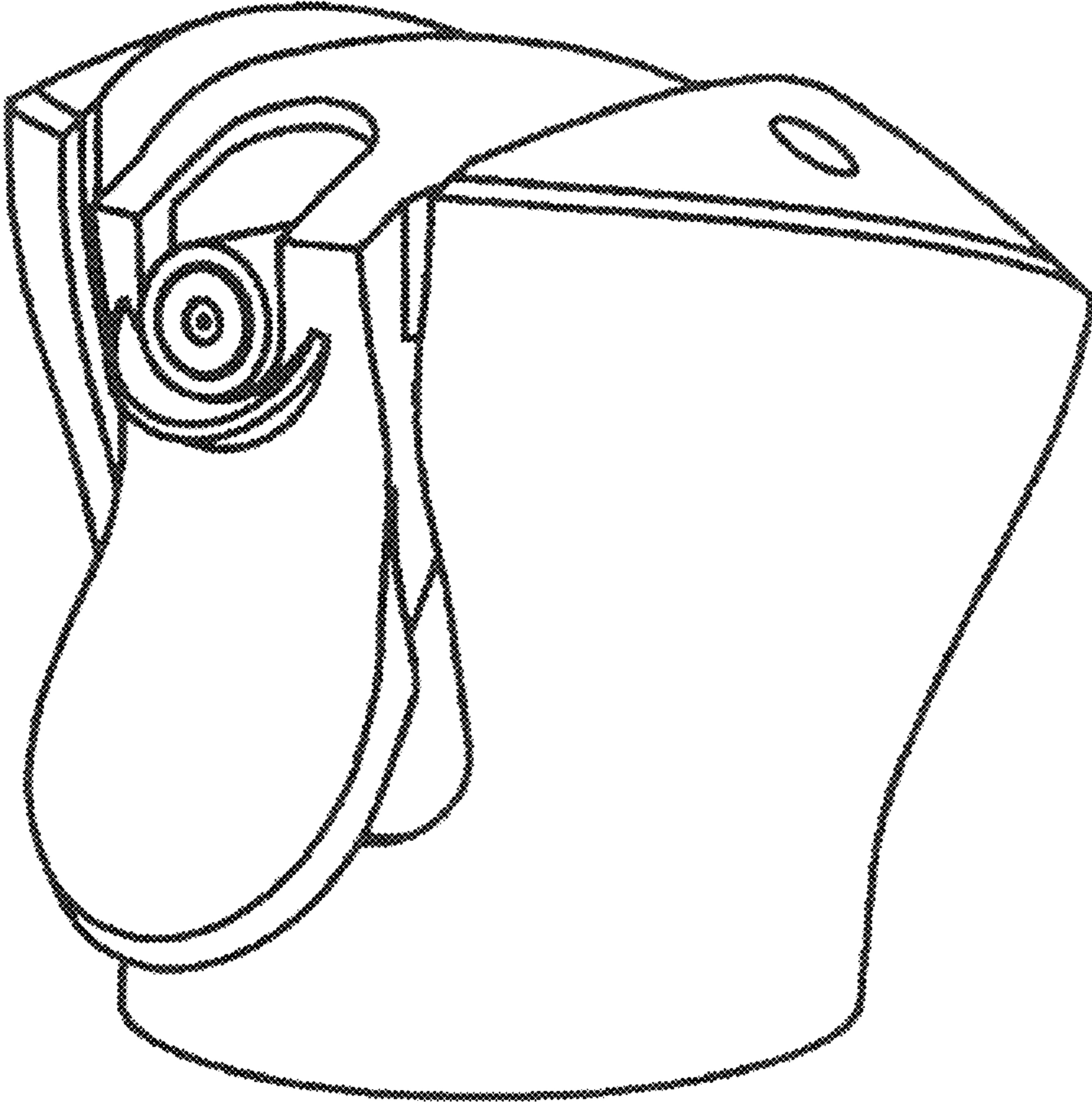


FIG. 7

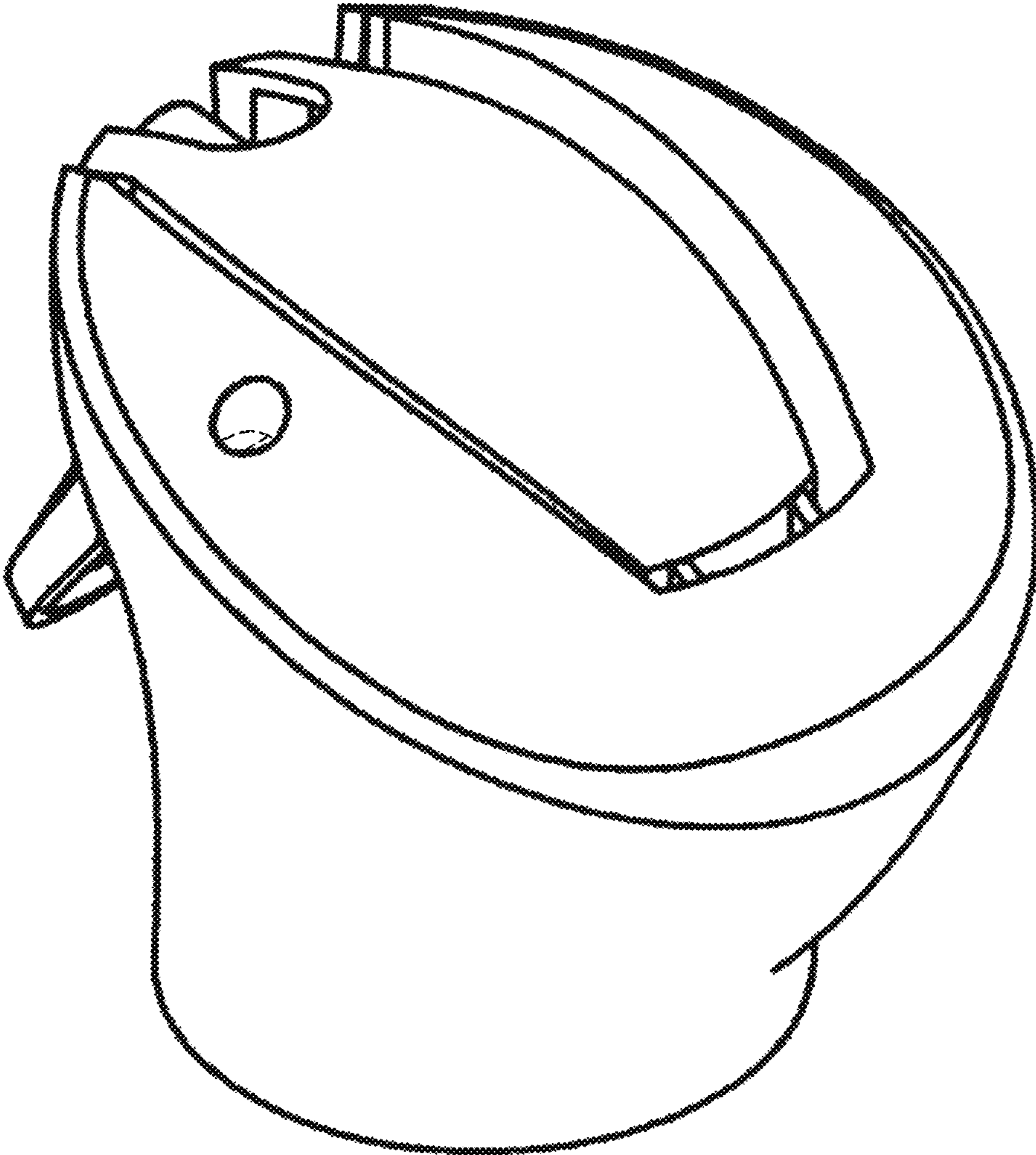


FIG. 8