



US00D873136S

(12) **United States Design Patent**  
**Sima et al.**

(10) **Patent No.:** **US D873,136 S**  
(45) **Date of Patent:** **\*\* Jan. 21, 2020**

- (54) **DISPOSABLE CUP LID**
- (71) Applicant: **Jo Jo, LLC**, Centerville, OH (US)
- (72) Inventors: **Amanda Sima**, Blacklick, OH (US);  
**Neil Sima**, Blacklick, OH (US); **Mark Strachan**, Jupiter, FL (US)
- (73) Assignee: **JO JO, LLC**, Centerville, OH (US)
- (\*\*) Term: **15 Years**
- (21) Appl. No.: **29/665,956**
- (22) Filed: **Oct. 9, 2018**
- (51) **LOC (12) Cl.** ..... **09-07**
- (52) **U.S. Cl.**  
USPC ..... **D9/447**
- (58) **Field of Classification Search**  
USPC ..... D9/414, 434-436, 438-440, 443-457,  
D9/499, 503-505, 682, 685, 686;  
D7/387, 391, 392, 392.1, 396.2-396.4,  
D7/401.1, 507, 509-511, 538, 900;  
D3/202, 203.2, 318; D28/91.1  
CPC .. A61J 1/00; A61J 1/1412; B65D 1/00; B65D  
1/02; B65D 1/10; B65D 1/46; B65D  
5/46; B65D 41/00; B65D 41/38; B65D  
41/56; B65D 41/62; B65D 47/00; B65D  
47/06; B65D 47/08; B65D 2251/00;  
B65D 2543/00046; B65D 2543/00092;  
B65D 2543/00296; B65D 2585/56; B65D  
2585/545  
See application file for complete search history.

- 5,363,983 A \* 11/1994 Proshan ..... B65D 47/06  
220/380
  - D361,469 S \* 8/1995 Young ..... D7/392.1
  - D363,852 S \* 11/1995 Young ..... D7/900
- (Continued)

**FOREIGN PATENT DOCUMENTS**

EM 006372397-0001 \* 4/2019

**OTHER PUBLICATIONS**

For the Mommas Real Savings Real Solutions, webpage—<https://forthemommas.com/?s=take+%26+Toss>, Jan. 13, 2016, 2 pages.

*Primary Examiner* — Michael A. Pratt  
*Assistant Examiner* — Wendy L Arminio  
(74) *Attorney, Agent, or Firm* — Standley Law Group  
LLP; Beverly A. Marsh; Adam J. Smith

(57) **CLAIM**

The ornamental design for a disposable cup lid, as shown and described.

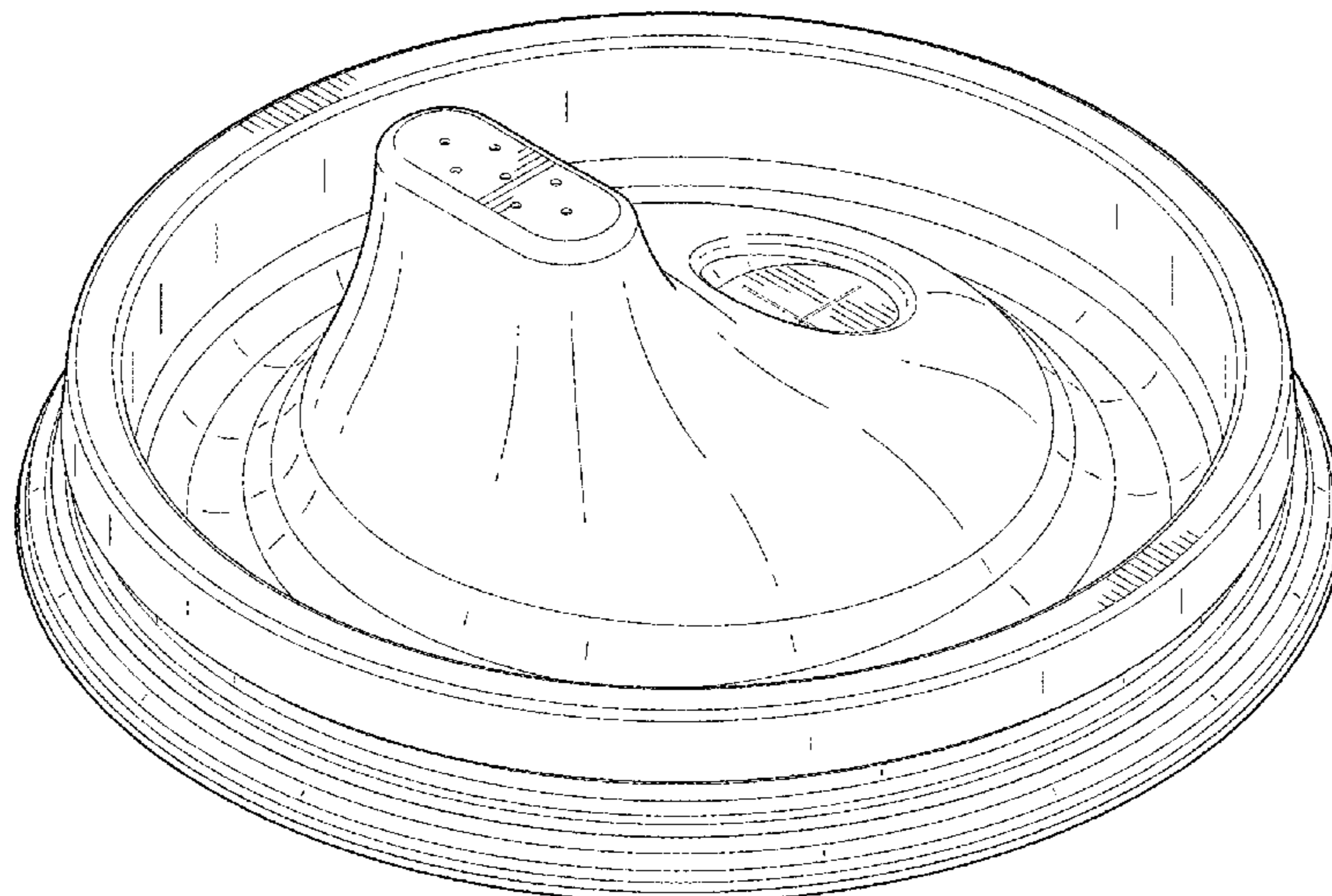
**DESCRIPTION**

FIG. 1 is a front perspective view of the disposable cup lid of our design;  
FIG. 2 is a front elevation view thereof;  
FIG. 3 is a rear elevation view thereof;  
FIG. 4 is a right-side elevation view thereof;  
FIG. 5 is a left-side elevation view thereof;  
FIG. 6 is a top plan view thereof;  
FIG. 7 is a bottom plan view thereof;  
FIG. 8 is a rear perspective view thereof shown in an environmental position of use on a cup drawn in broken lines; and,  
FIG. 9 is a bottom perspective view of the disposable cup lid of FIG. 1.  
The broken lines are for illustration only and form no part of the claimed design.

**1 Claim, 7 Drawing Sheets**

(56) **References Cited**  
**U.S. PATENT DOCUMENTS**

- 4,243,156 A \* 1/1981 Lobbestael ..... B65D 47/10  
D9/447
- D259,231 S \* 5/1981 Kozlow, Sr. .... D7/392.1
- D316,517 S \* 4/1991 Coy ..... D9/447
- D322,222 S \* 12/1991 Coy ..... D9/447
- 5,253,781 A \* 10/1993 Van Melle ..... A47G 19/2272  
220/380



(56)

**References Cited**

## U.S. PATENT DOCUMENTS

D368,624 S \* 4/1996 Forrer ..... D9/447  
D387,247 S \* 12/1997 Randolph ..... D7/510  
D407,269 S \* 3/1999 Fletcher ..... D7/510  
D419,029 S \* 1/2000 Randolph ..... D7/392  
D429,443 S \* 8/2000 D'Alessio ..... D7/392.1  
D434,944 S \* 12/2000 Randolph ..... D7/510  
D561,522 S \* 2/2008 Gordon ..... D7/392  
7,387,202 B2 \* 6/2008 Beaty ..... A47G 19/00  
206/217  
7,556,172 B2 \* 7/2009 Lane ..... A47G 19/2272  
215/11.5  
D630,510 S \* 1/2011 Yacktman ..... D9/447  
D631,348 S 1/2011 Weiss et al.  
D634,196 S \* 3/2011 Giraud ..... D9/447  
8,286,827 B2 10/2012 Yacktman  
D717,107 S \* 11/2014 Dunn ..... D7/396.2  
2003/0066839 A1 \* 4/2003 Connors, Jr. .... A47G 19/2272  
220/713  
2004/0000551 A1 \* 1/2004 Flink ..... B65D 47/06  
220/258.3  
2004/0200849 A1 \* 10/2004 Goeking ..... B65D 43/0212  
220/713  
2005/0269337 A1 12/2005 McGrath  
2007/0095846 A1 5/2007 Goecke et al.  
2008/0035653 A1 \* 2/2008 Meli ..... B65D 43/0202  
220/717  
2008/0237247 A1 10/2008 Mucci et al.  
2008/0264960 A1 \* 10/2008 Phillips ..... A47G 19/2266  
220/719  
2011/0266295 A1 \* 11/2011 Yacktman ..... B65D 25/48  
220/713  
2011/0290817 A1 12/2011 Weiss et al.

\* cited by examiner

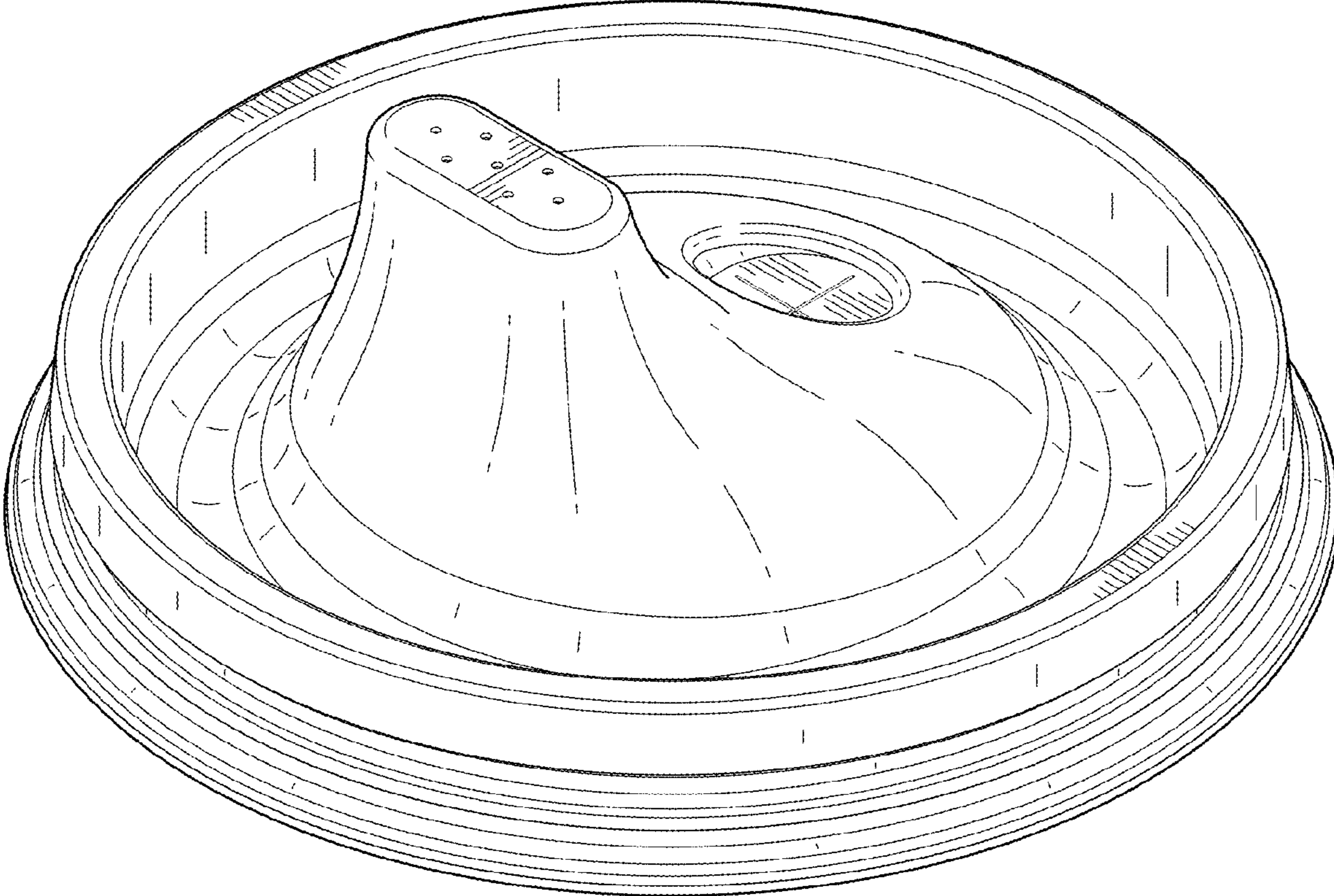


FIG. 1



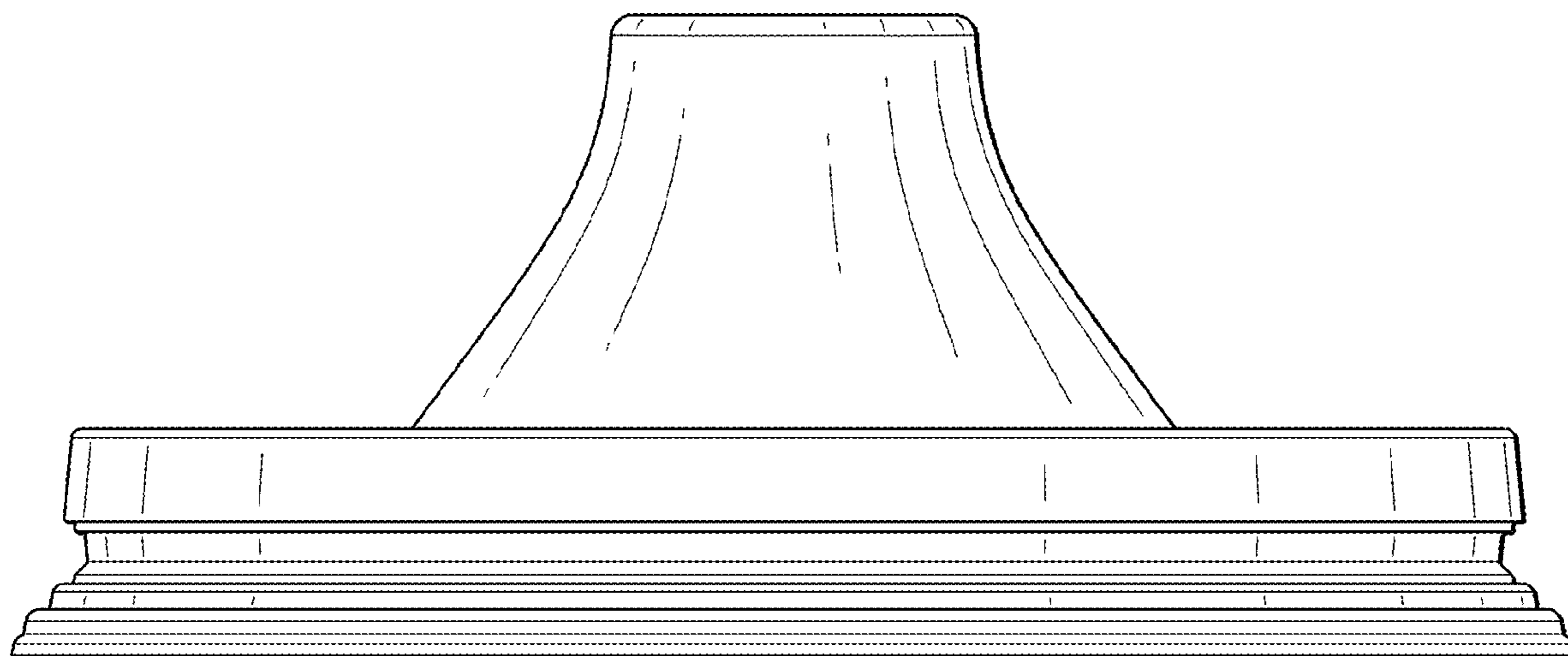


FIG. 2

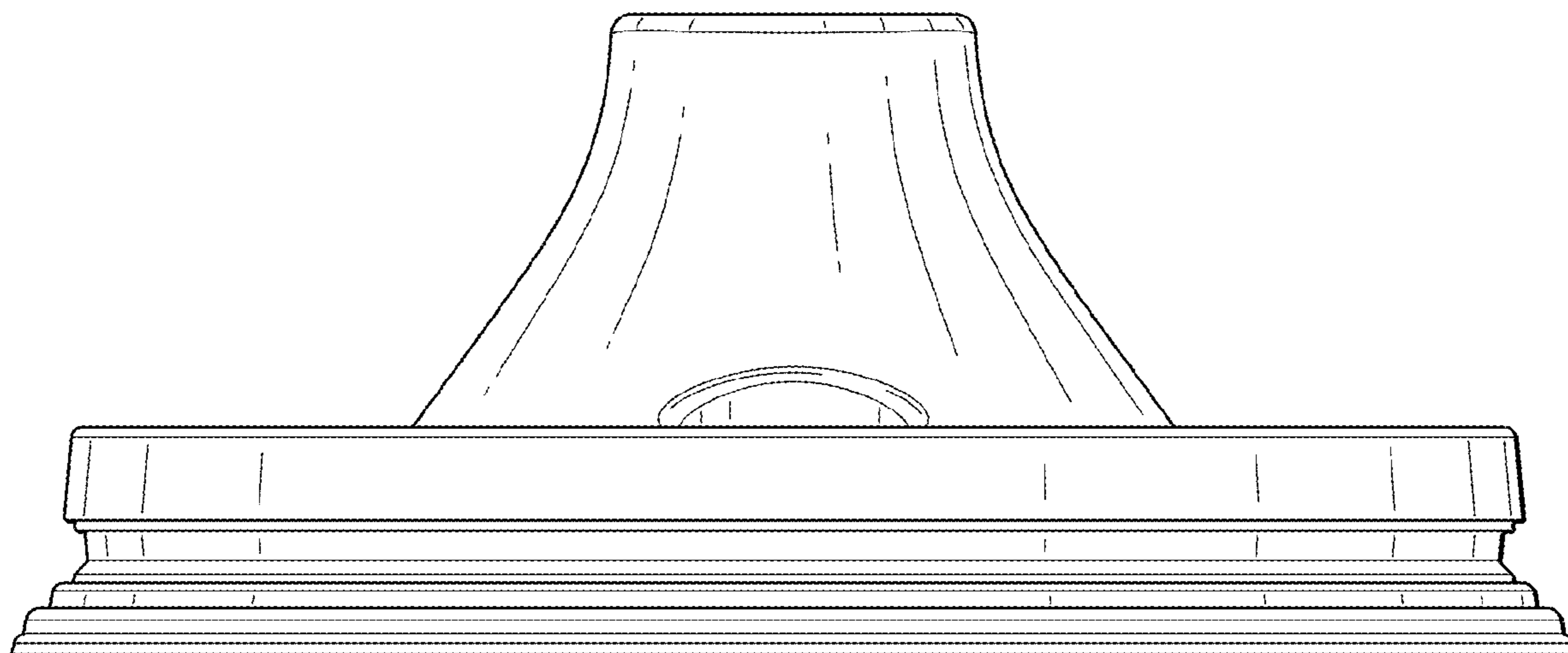


FIG. 3

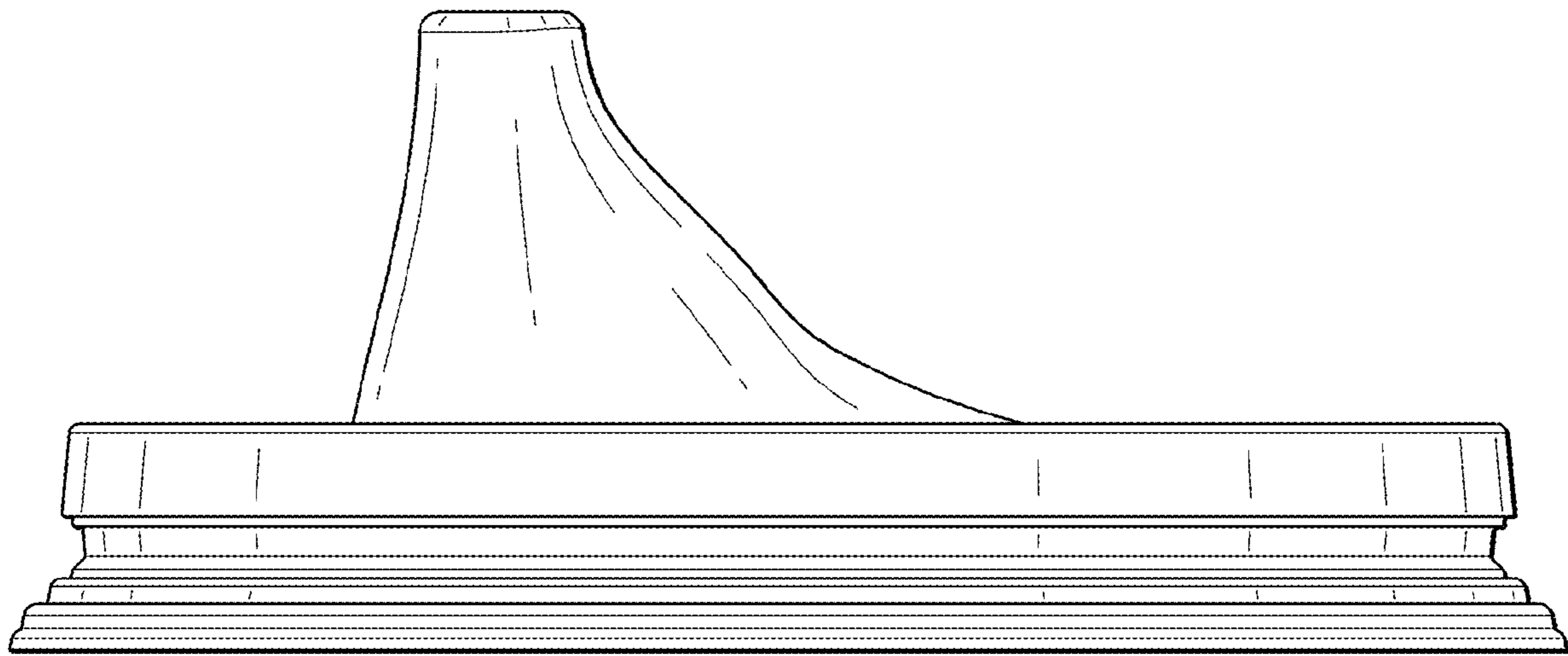


FIG. 4

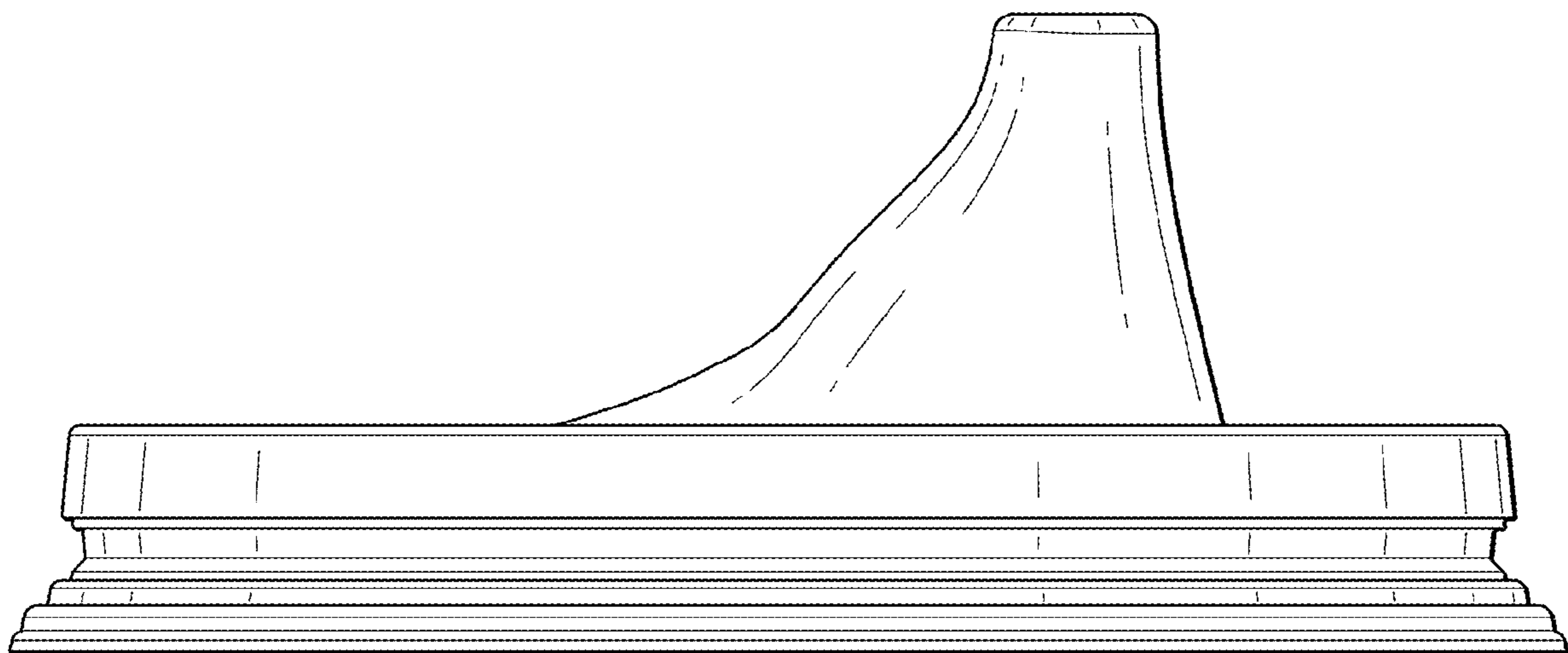


FIG. 5

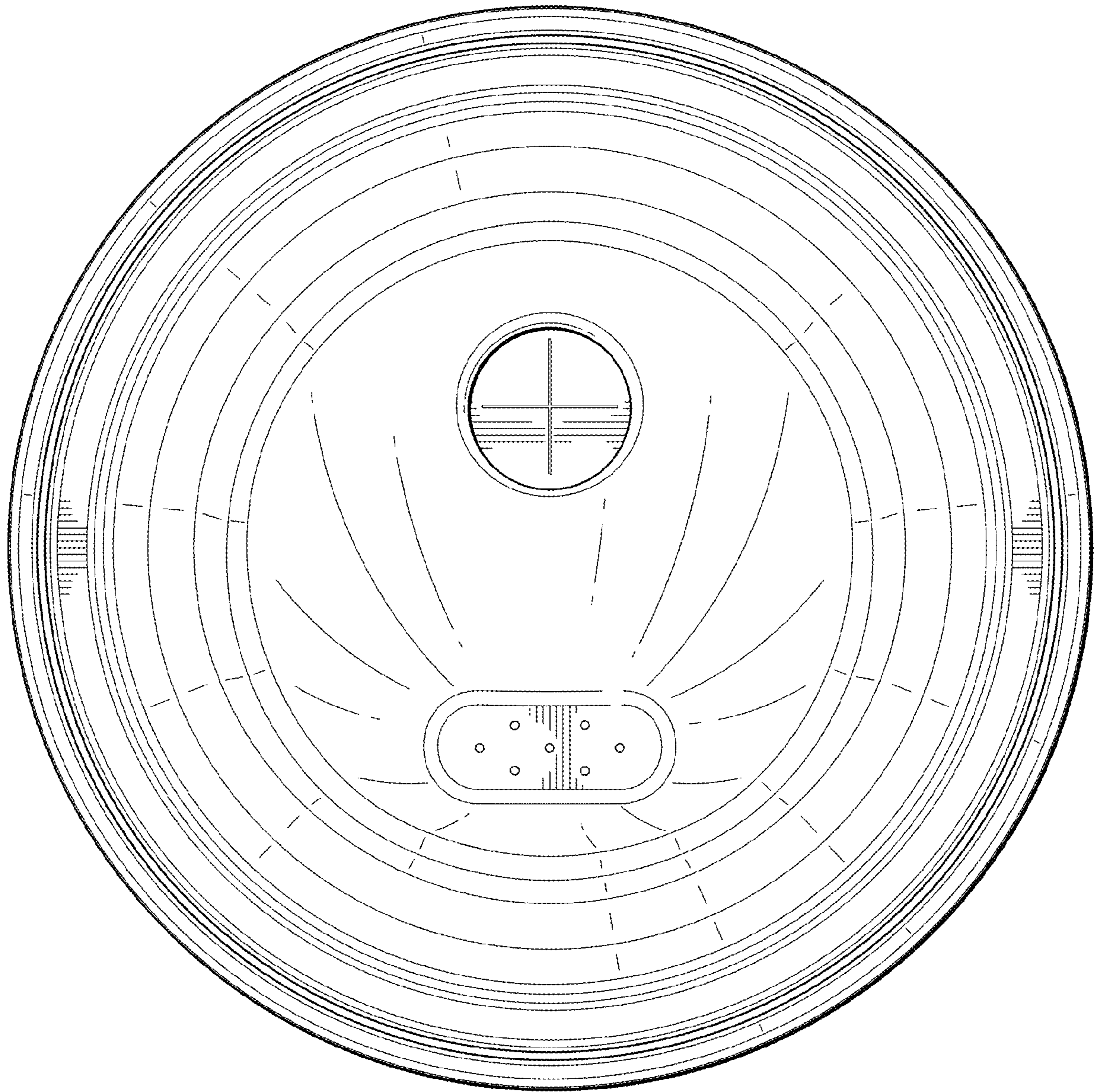


FIG. 6



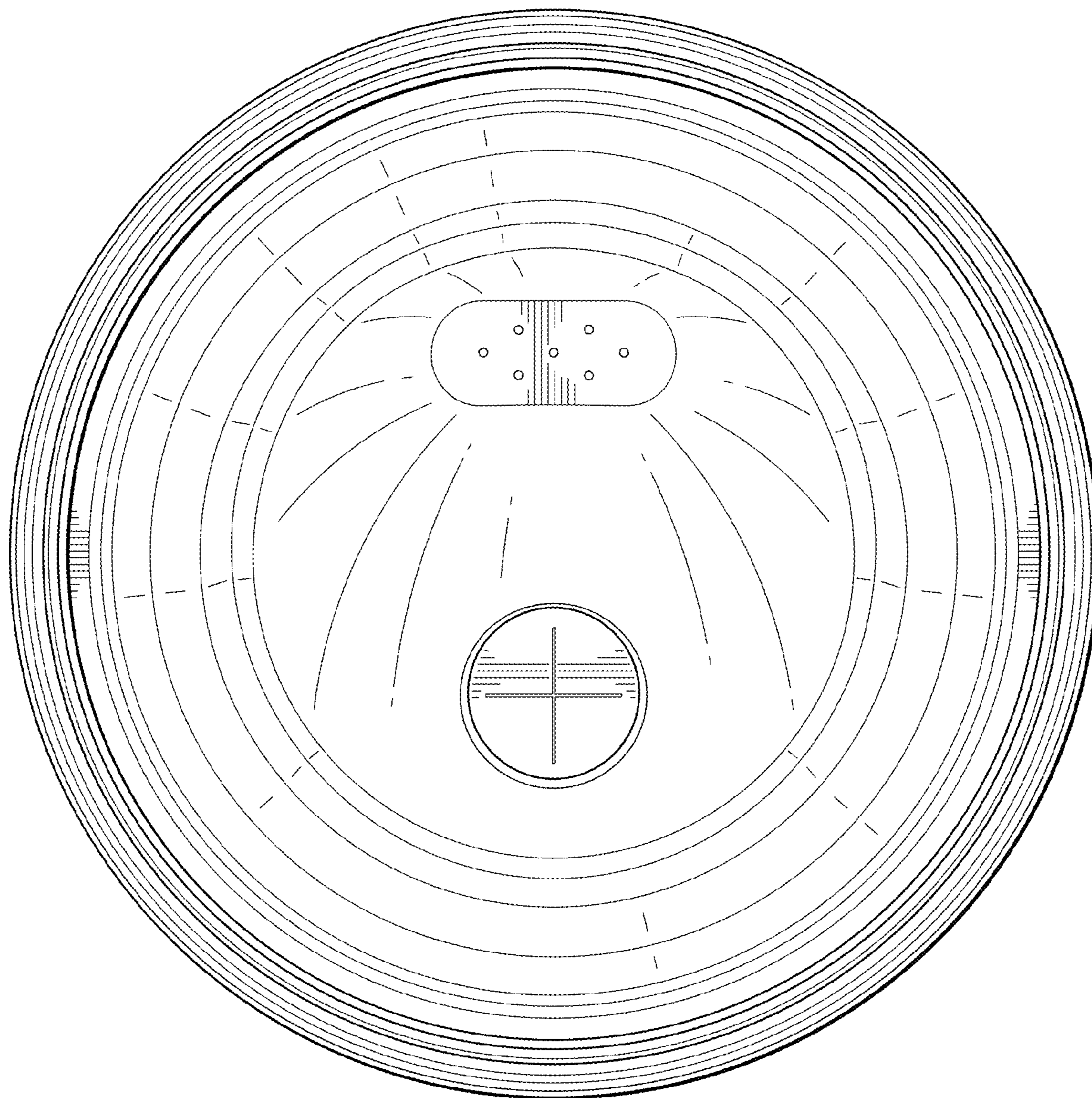


FIG. 7

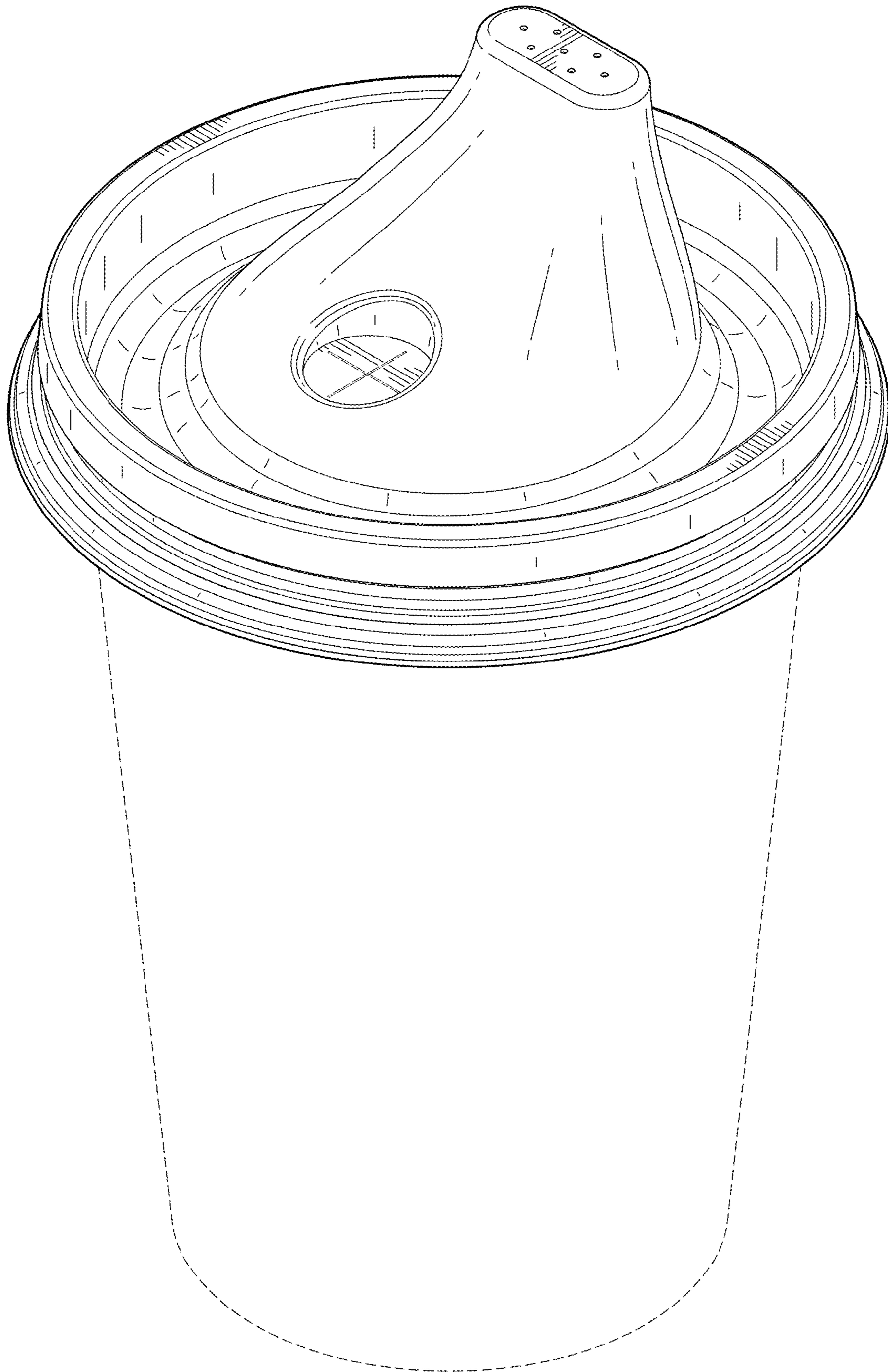


FIG. 8



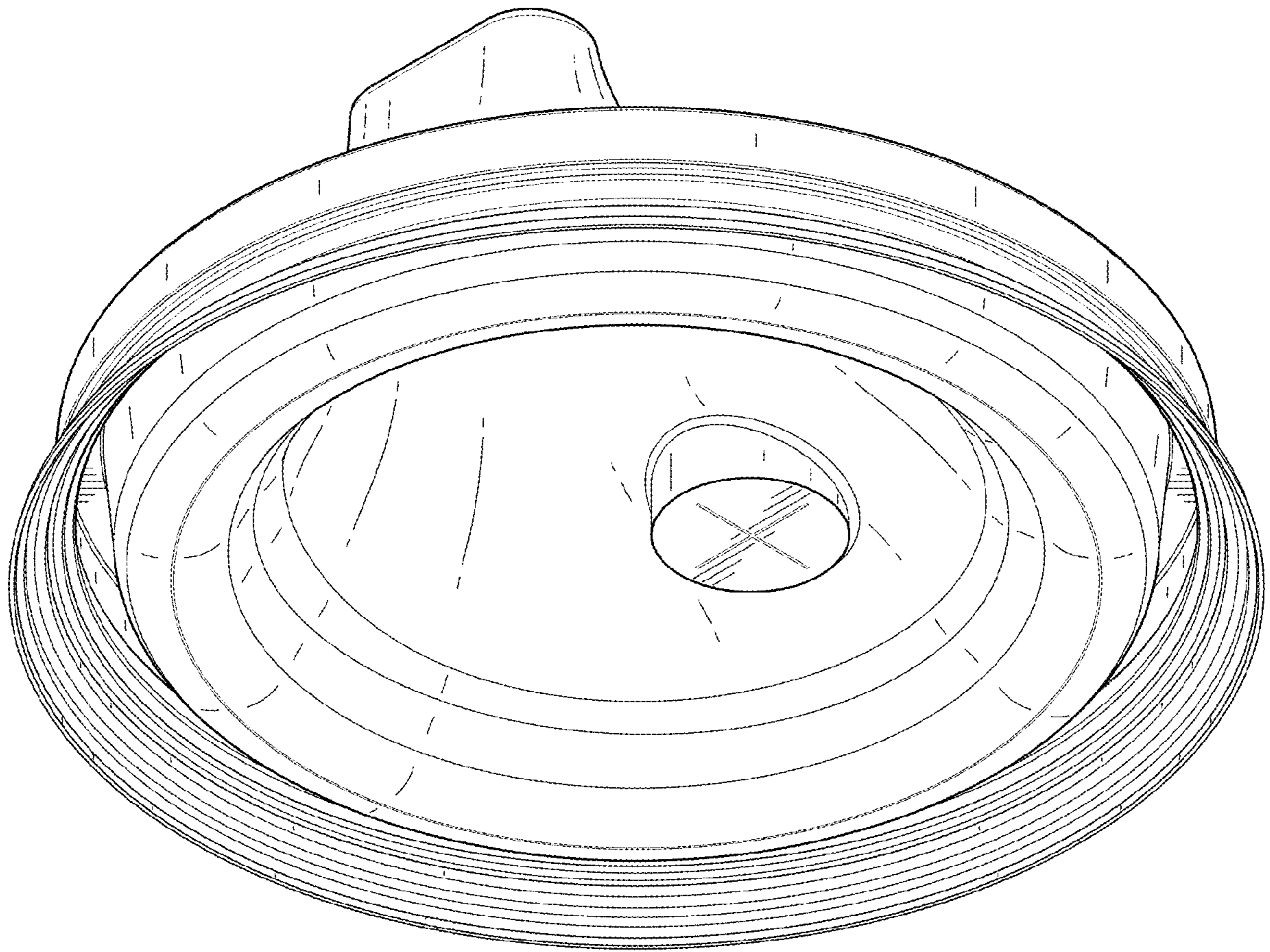


FIG. 9