



US00D873131S

(12) **United States Design Patent** (10) **Patent No.:** **US D873,131 S**  
**Watanabe** (45) **Date of Patent:** **\*\* Jan. 21, 2020**

(54) **PACKAGING CONTAINER**  
(71) Applicant: **GC Corporation**, Shizuoka (JP)  
(72) Inventor: **Kaori Watanabe**, Tokyo (JP)  
(73) Assignee: **GC Corporation**, Shizuoka (JP)  
(\*\*) Term: **15 Years**

D327,425	S	*	6/1992	Hamada	.....	D9/415
D519,026	S	*	4/2006	Shing	.....	D9/415
D592,947	S	*	5/2009	Neves	.....	D9/415
D704,048	S	*	5/2014	Whalen, Jr.	.....	D9/415
D733,552	S	*	7/2015	Whalen, Jr.	.....	D9/415
D758,180	S	*	6/2016	Wintmolders	.....	D9/415
D760,071	S	*	6/2016	Wu	.....	D9/415
D839,090	S	*	1/2019	Sanfilippo	.....	D9/414
2013/0319896	A1	*	12/2013	Corbat	.....	B65D 75/322 206/470
2015/0217920	A1	*	8/2015	Madron	.....	B65D 75/30 53/467

(21) Appl. No.: **29/659,218**  
(22) Filed: **Aug. 7, 2018**

(30) **Foreign Application Priority Data**

Feb. 9, 2018 (JP) ..... 2018-002735

(51) **LOC (12) Cl.** ..... **09-03**  
(52) **U.S. Cl.**  
USPC ..... **D9/424; D9/415**

(58) **Field of Classification Search**  
USPC ..... D9/415, 418, 424, 732  
CPC .... B65D 75/327; B65D 75/36; B65D 75/366;  
B65D 75/367; B65D 75/32; B65D  
2575/3245; B65D 75/326; B65D  
2575/366; B65D 2585/88; B65D 75/322;  
B65D 77/2032; B65D 5/4204; B65D  
75/22; B65D 77/0413; B65D 5/4208;  
B65D 77/02; B65D 25/22; B65D  
75/5833; B65D 85/00; B65D 2543/00194;  
B65D 2301/20; B65D 2575/3218; B65D  
73/0007; B65D 73/0042

See application file for complete search history.

(56) **References Cited**

**U.S. PATENT DOCUMENTS**

D192,267	S	*	2/1962	Whiteford	.....	D9/425
3,338,400	A	*	8/1967	Edgworth	.....	A61B 17/06133 206/363

\* cited by examiner

*Primary Examiner* — Lauren R Calve

(74) *Attorney, Agent, or Firm* — IPUSA, PLLC

(57) **CLAIM**

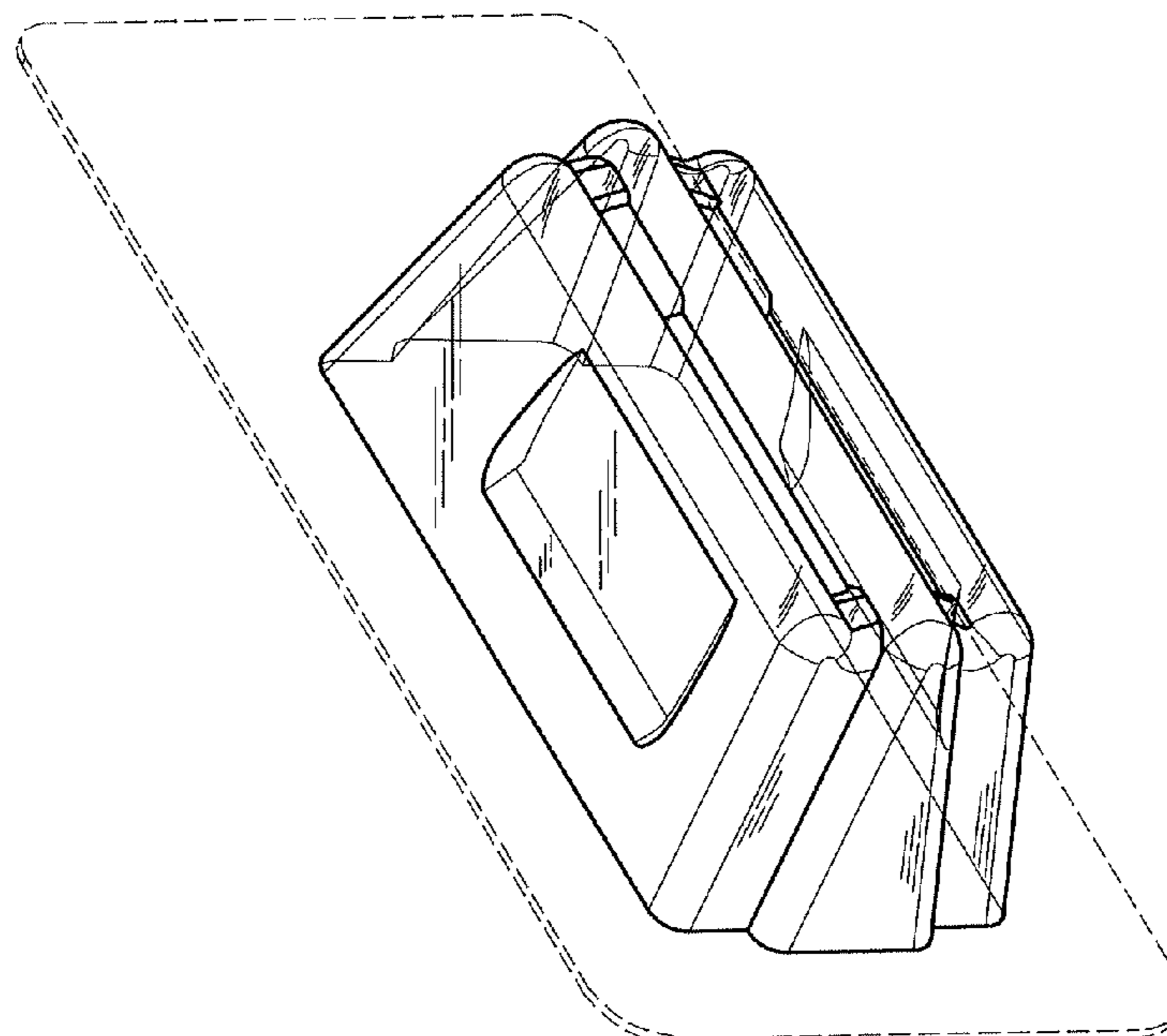
The ornamental design for a packaging container, as shown and described.

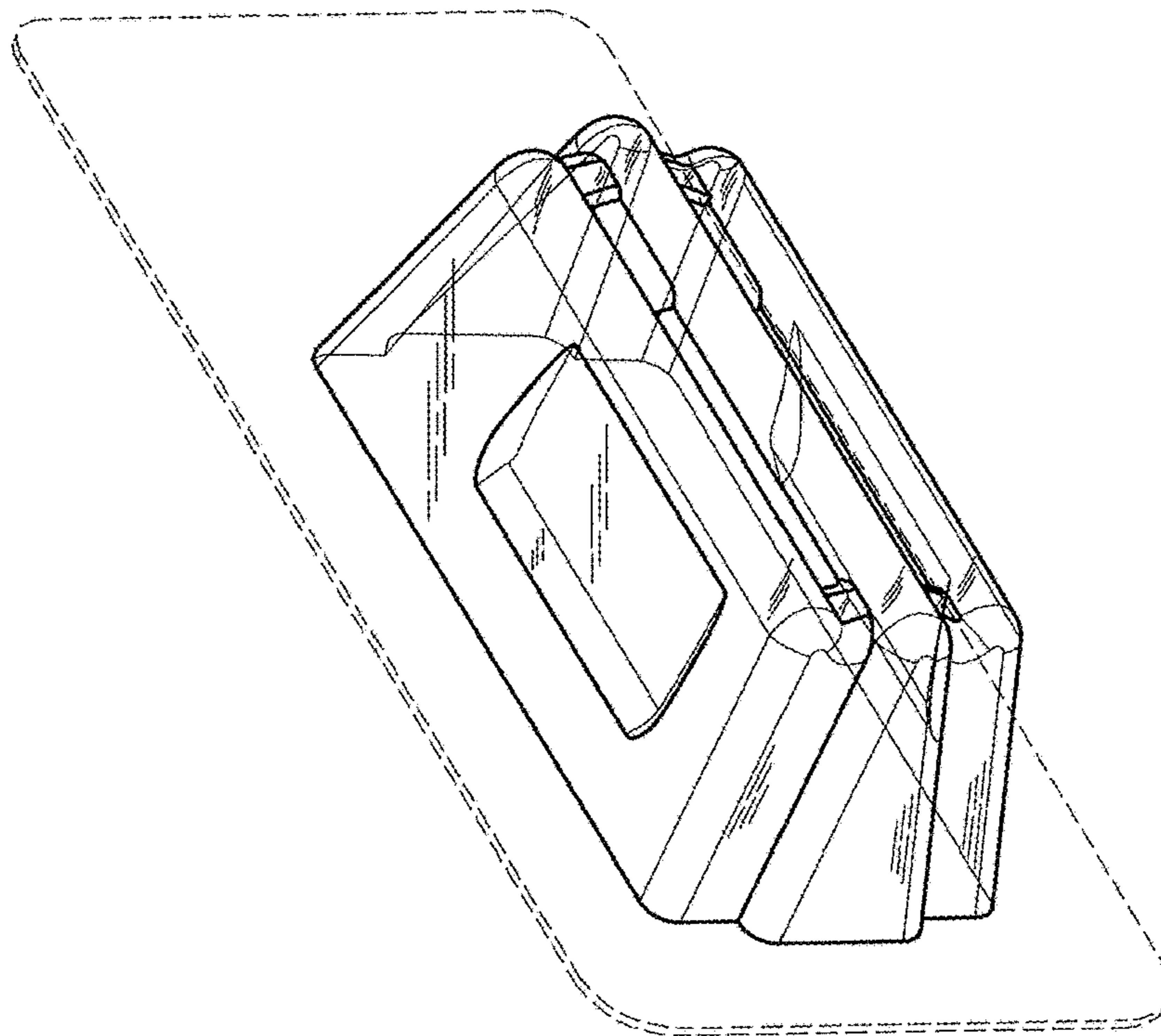
**DESCRIPTION**

FIG. 1 is a perspective view of a packaging container, showing my new design;  
FIG. 2 is a front view thereof;  
FIG. 3 is a rear view thereof;  
FIG. 4 is a top plan view thereof;  
FIG. 5 is a bottom plan view thereof; and,  
FIG. 6 is a right side view thereof, the left side view being a mirror image.

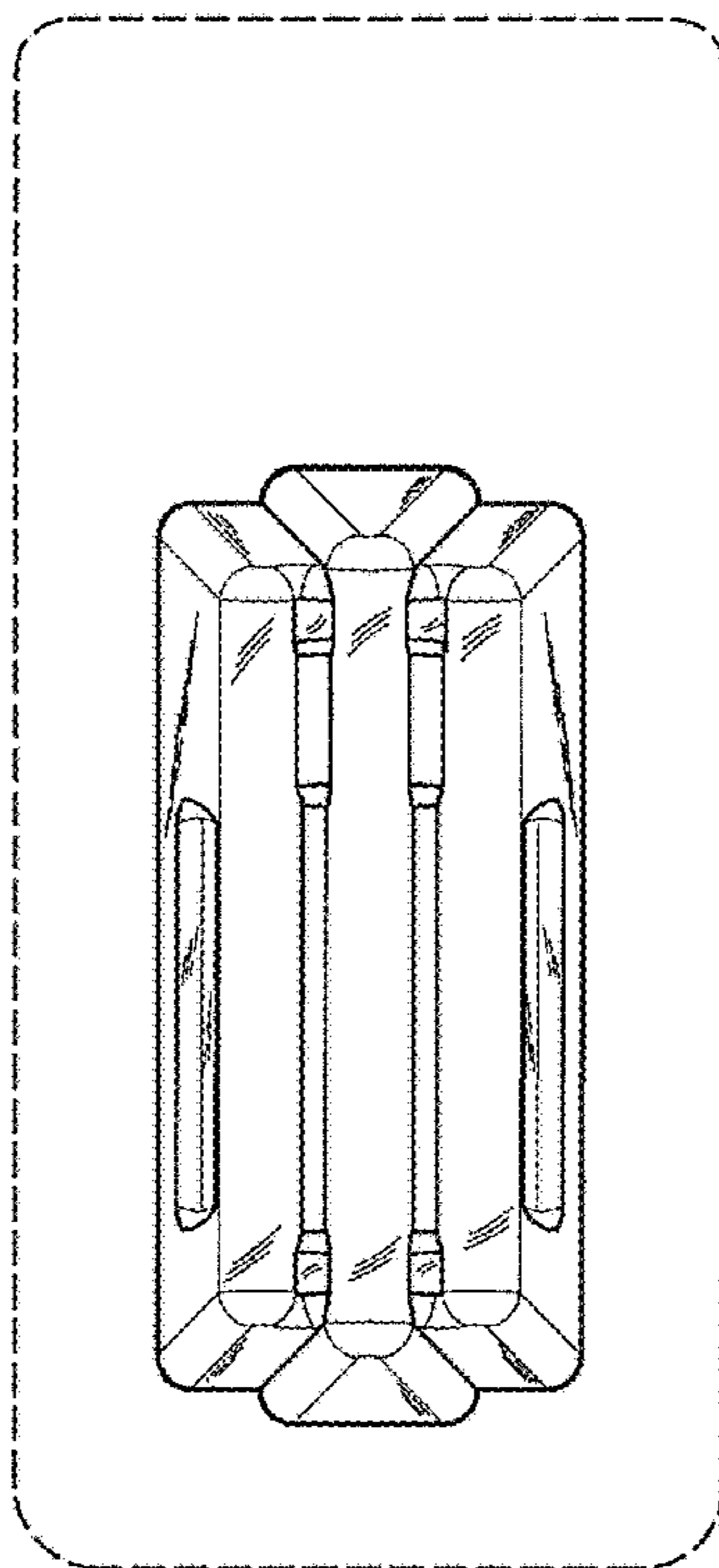
The broken lines shown in the drawings represent portions of the packaging container that form no part of the claimed design. The shading on the figures indicates transparency.

**1 Claim, 3 Drawing Sheets**

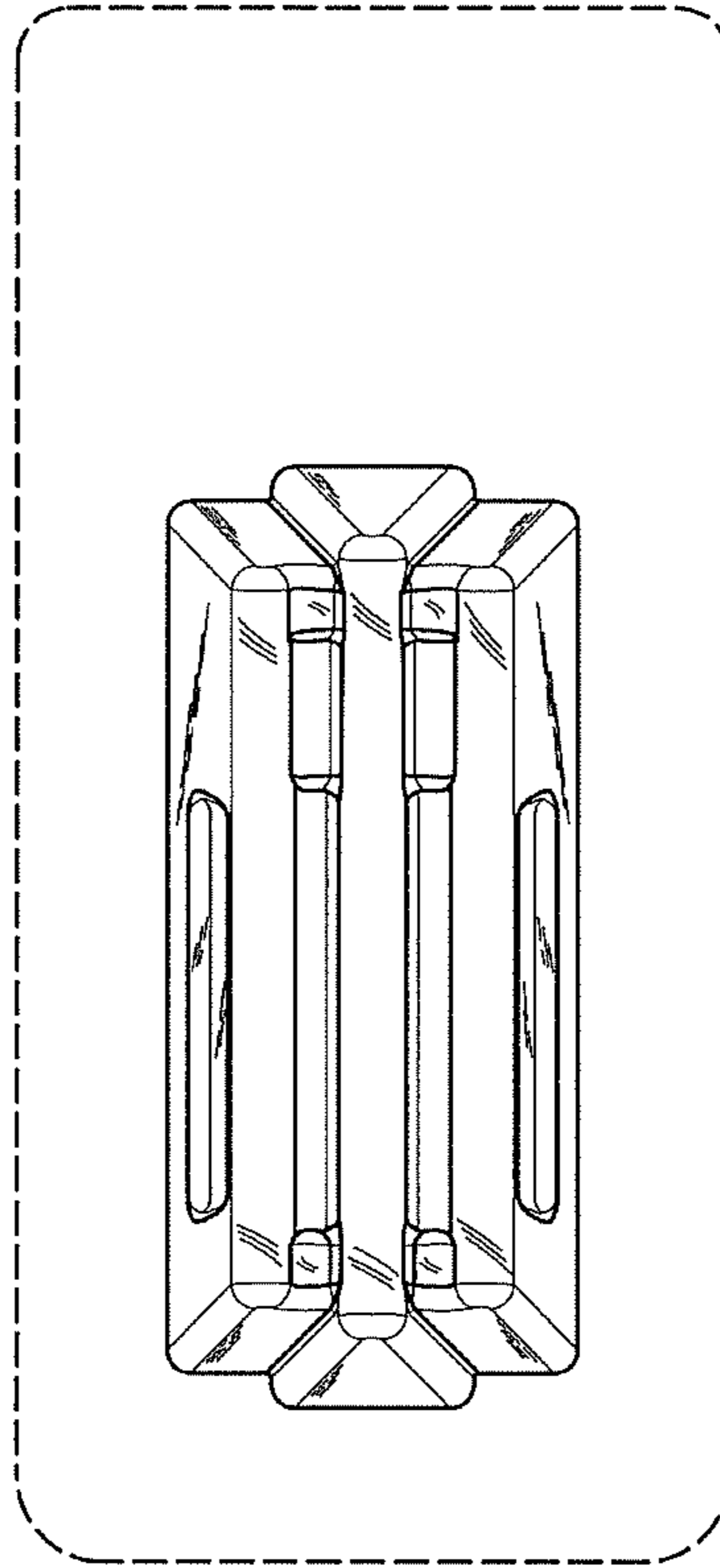




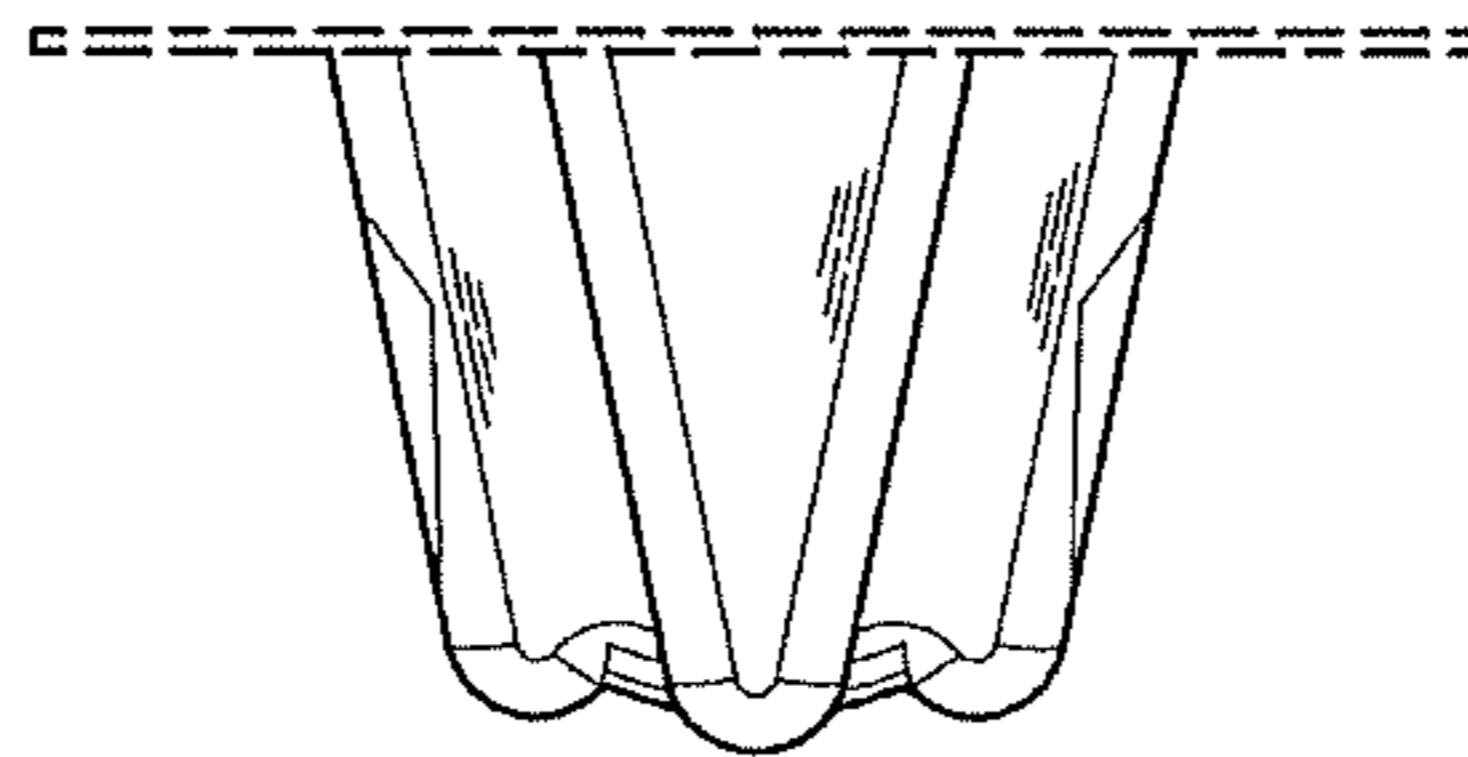
*Fig. 1*



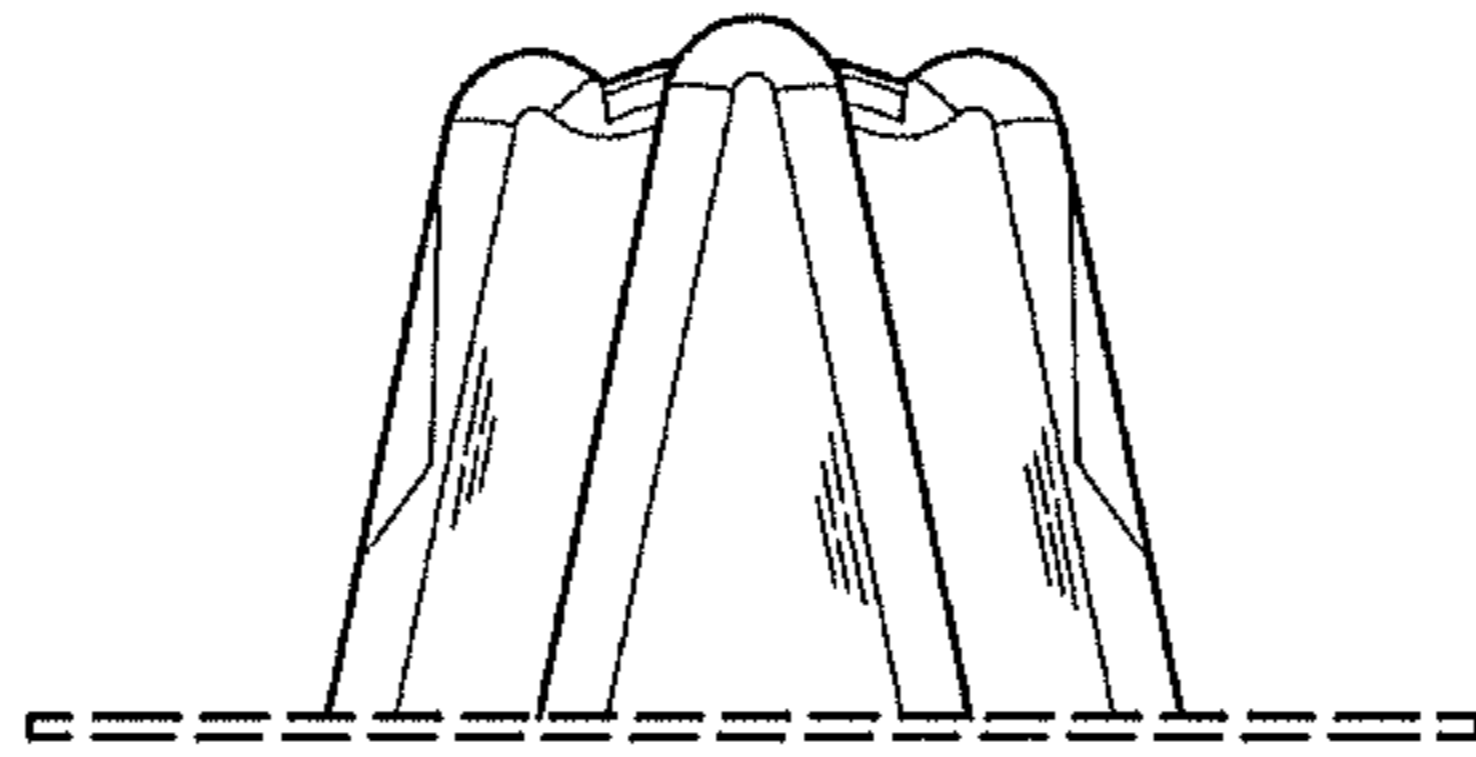
*Fig. 2*



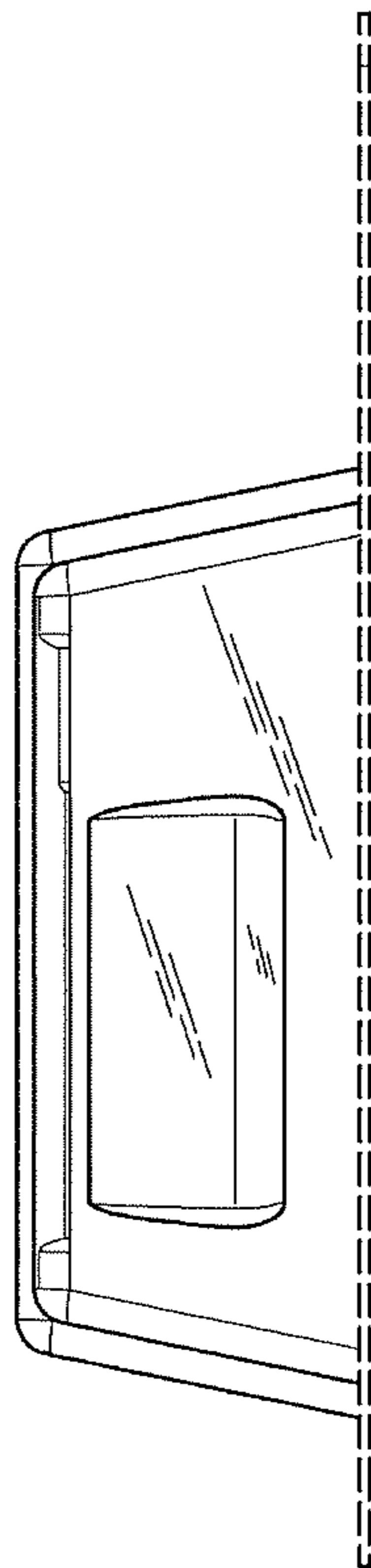
*Fig. 3*



*Fig. 4*



*Fig. 5*



*Fig. 6*