



US00D873129S

(12) **United States Design Patent**  
**Huang et al.**

(10) **Patent No.:** **US D873,129 S**  
(45) **Date of Patent:** **\*\* Jan. 21, 2020**

(54) **CONTAINER**

- (71) Applicant: **The Procter & Gamble Company**, Cincinnati, OH (US)
- (72) Inventors: **Sun-Jan Alan Huang**, Cincinnati, OH (US); **Mark Robert Sivik**, Mason, OH (US); **Frank William Denome**, Hamilton, OH (US); **Christopher Lee Haun**, Amelia, OH (US)
- (73) Assignee: **The Procter & Gamble Company**, Cincinnati, OH (US)

(\*\*) Term: **15 Years**

(21) Appl. No.: **29/628,782**

(22) Filed: **Dec. 7, 2017**

(51) **LOC (12) Cl.** ..... **09-03**

(52) **U.S. Cl.**  
USPC ..... **D9/420**

(58) **Field of Classification Search**  
 USPC ..... D9/414-419, 423, 426, 430, 432, 721, D9/730, 734, 737; D3/290, 294, 304, D3/305, 315; D7/600.1, 601  
 CPC ... B65D 5/00; B65D 5/02; B65D 5/18; B65D 5/20; B65D 5/66; B65D 5/325; B65D 5/6644; B65D 5/6647; B65D 83/00; B65D 83/08; B65D 83/005; B65D 83/0083; B65D 83/0841; B65D 83/0882; B65D 43/16; B65D 43/162; B26D 1/045  
 See application file for complete search history.

(56) **References Cited**

U.S. PATENT DOCUMENTS

- 1,599,238 A \* 9/1926 Hurlbut ..... B65D 83/0882 225/50
- D108,605 S \* 2/1938 Nagle ..... D9/433
- 2,507,404 A \* 5/1950 Gluck ..... B65D 83/0882 225/20

(Continued)

OTHER PUBLICATIONS

U.S. Appl. No. 29/626,129, filed Nov. 15, 2017, Huang, et al.

*Primary Examiner* — Wan Laymon

*Assistant Examiner* — Clint A Samuel

(74) *Attorney, Agent, or Firm* — Gary J. Foose

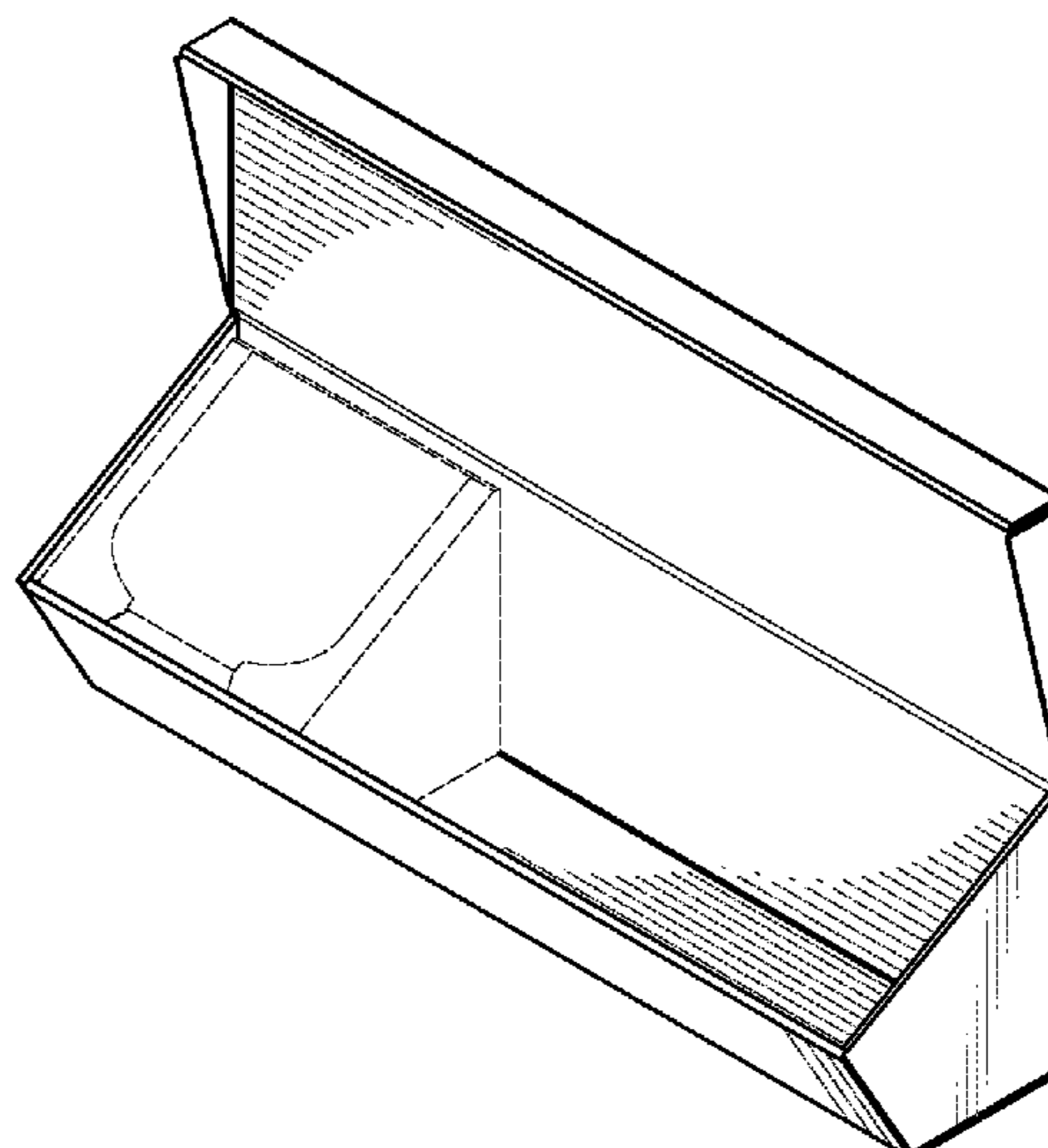
(57) **CLAIM**

The ornamental design for a container, as shown and described.

**DESCRIPTION**

FIG. 1 is a top perspective view of an embodiment of a container embodying our new design wherein the top panel of the container is in an open position;  
 FIG. 2 is a front view of the container of FIG. 1;  
 FIG. 3 is a left view of the container of FIG. 1;  
 FIG. 4 is a back view of the container of FIG. 1;  
 FIG. 5 is a right view of the container of FIG. 1;  
 FIG. 6 is a top view of the container of FIG. 1;  
 FIG. 7 is a bottom view of the container of FIG. 1;  
 FIG. 8 is a top perspective view the container of FIG. 1 wherein the top panel of the container is in a closed position;  
 FIG. 9 is a front view of the further embodiment of the container of FIG. 8;  
 FIG. 10 is a left view of the further embodiment of the container of FIG. 8;  
 FIG. 11 is a back view of the further embodiment of the container of FIG. 8;  
 FIG. 12 is a right view of the further embodiment of the container of FIG. 8;  
 FIG. 13 is a top view of the further embodiment of the container of FIG. 8; and,  
 FIG. 14 is a bottom view of the further embodiment of the container of FIG. 8.  
 The broken line showing in the drawings is included for the purpose of illustrating unclaimed portions of the container and forms no part of the claimed design.

**1 Claim, 6 Drawing Sheets**



(56)

References Cited

U.S. PATENT DOCUMENTS

2,522,253 A \* 9/1950 Broeren ..... B65D 83/0882  
 225/43  
 D269,934 S \* 8/1983 Hawkins ..... D7/590  
 D271,000 S \* 10/1983 Rimer ..... D9/420  
 4,651,911 A \* 3/1987 Kirkup ..... B65D 83/0841  
 225/20  
 4,787,542 A \* 11/1988 Ruff ..... B65H 35/002  
 225/1  
 D341,499 S \* 11/1993 Horne ..... D12/425  
 D402,512 S \* 12/1998 Lee ..... D7/600.1  
 D421,691 S \* 3/2000 Hoblitz ..... D6/522  
 D572,904 S \* 7/2008 Beckerman ..... D3/304  
 8,528,801 B2 \* 9/2013 Tanaka ..... B65D 83/0841  
 225/39  
 D745,392 S \* 12/2015 Solovov, Jr. .... D9/433  
 9,221,646 B1 \* 12/2015 Amara ..... B65H 35/002  
 D815,522 S \* 4/2018 Vegliante ..... D9/432  
 10,017,616 B2 \* 7/2018 Ueda ..... B65D 83/0882  
 D830,722 S \* 10/2018 Klipshtein ..... D6/518  
 D842,095 S \* 3/2019 Hajek ..... D9/431

2003/0164392 A1 \* 9/2003 Gerulski ..... B26F 3/02  
 225/1  
 2004/0089691 A1 \* 5/2004 Gerulski ..... B26F 3/02  
 225/93  
 2005/0035133 A1 \* 2/2005 Gerulski ..... B26D 1/045  
 221/31  
 2005/0166738 A1 \* 8/2005 Hsu ..... B26D 7/015  
 83/614  
 2007/0074986 A1 \* 4/2007 King ..... B65D 83/0841  
 206/397  
 2010/0320250 A1 \* 12/2010 Hideoka ..... B26F 3/02  
 225/91  
 2011/0209594 A1 \* 9/2011 Withers ..... B65D 83/0882  
 83/614  
 2014/0263527 A1 \* 9/2014 Mukohara ..... B65D 25/20  
 225/43  
 2015/0060318 A1 \* 3/2015 Lee ..... B65D 83/0882  
 206/389  
 2016/0355647 A1 \* 12/2016 Ueda ..... B65D 83/0882  
 2018/0037362 A9 \* 2/2018 Matsumura ..... B65D 25/52  
 2018/0141742 A1 \* 5/2018 Vegliante ..... B65D 5/16  
 2018/0141743 A1 \* 5/2018 Vegliante ..... B65D 5/16  
 2018/0305164 A1 \* 10/2018 Smith ..... B26D 1/045  
 2018/0370679 A1 \* 12/2018 Shimizu ..... B65D 85/672

\* cited by examiner

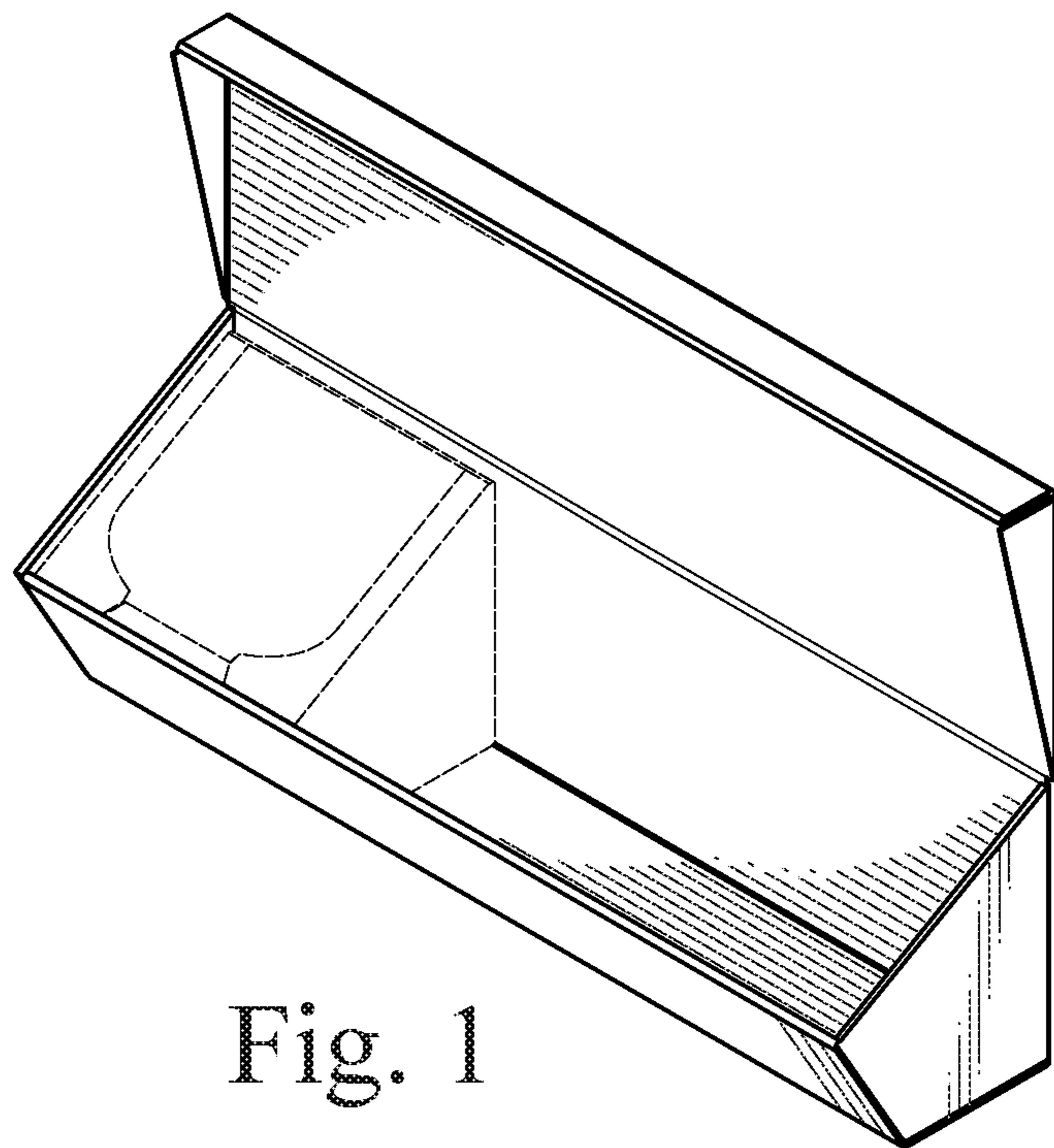


Fig. 1

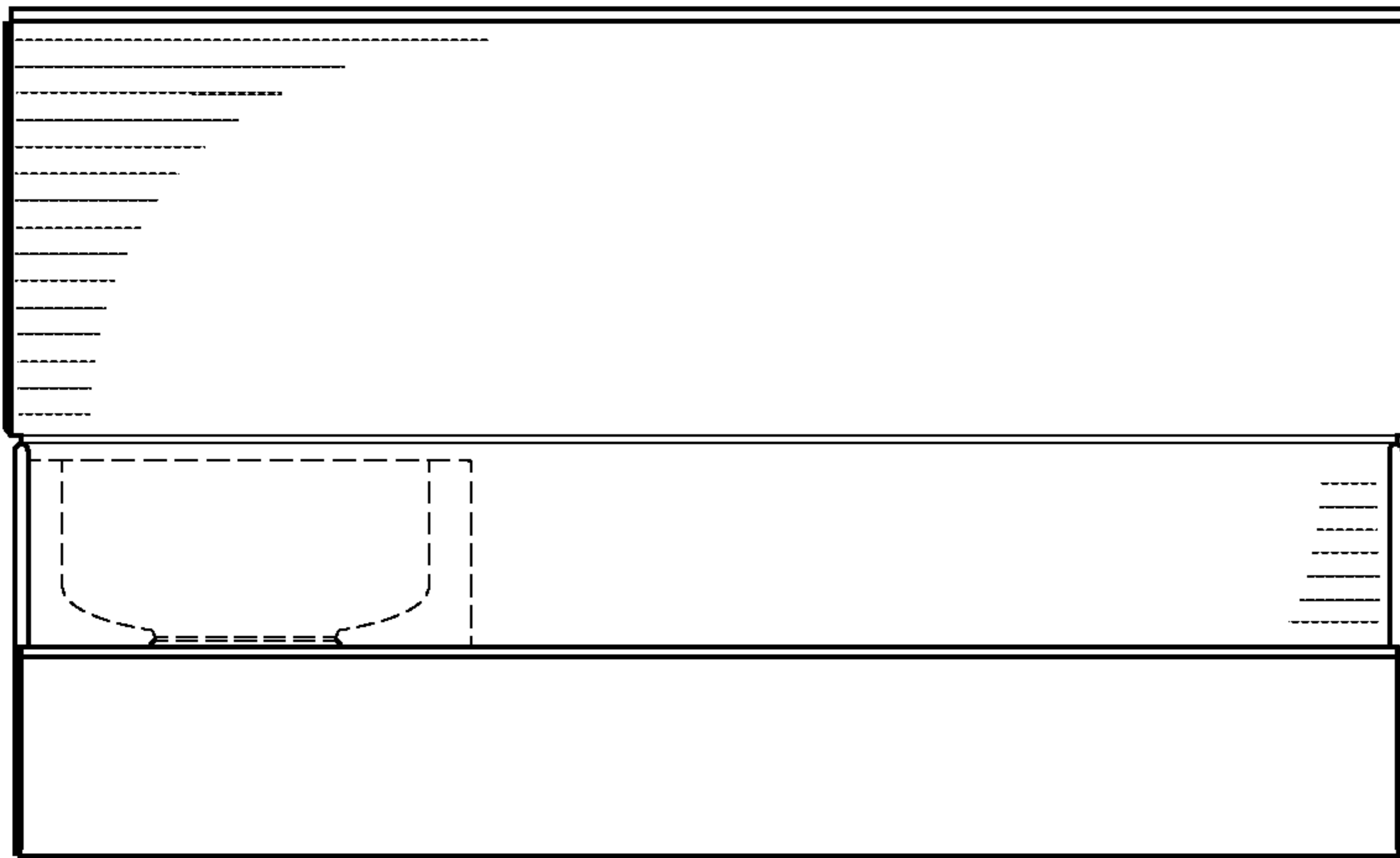


Fig. 2

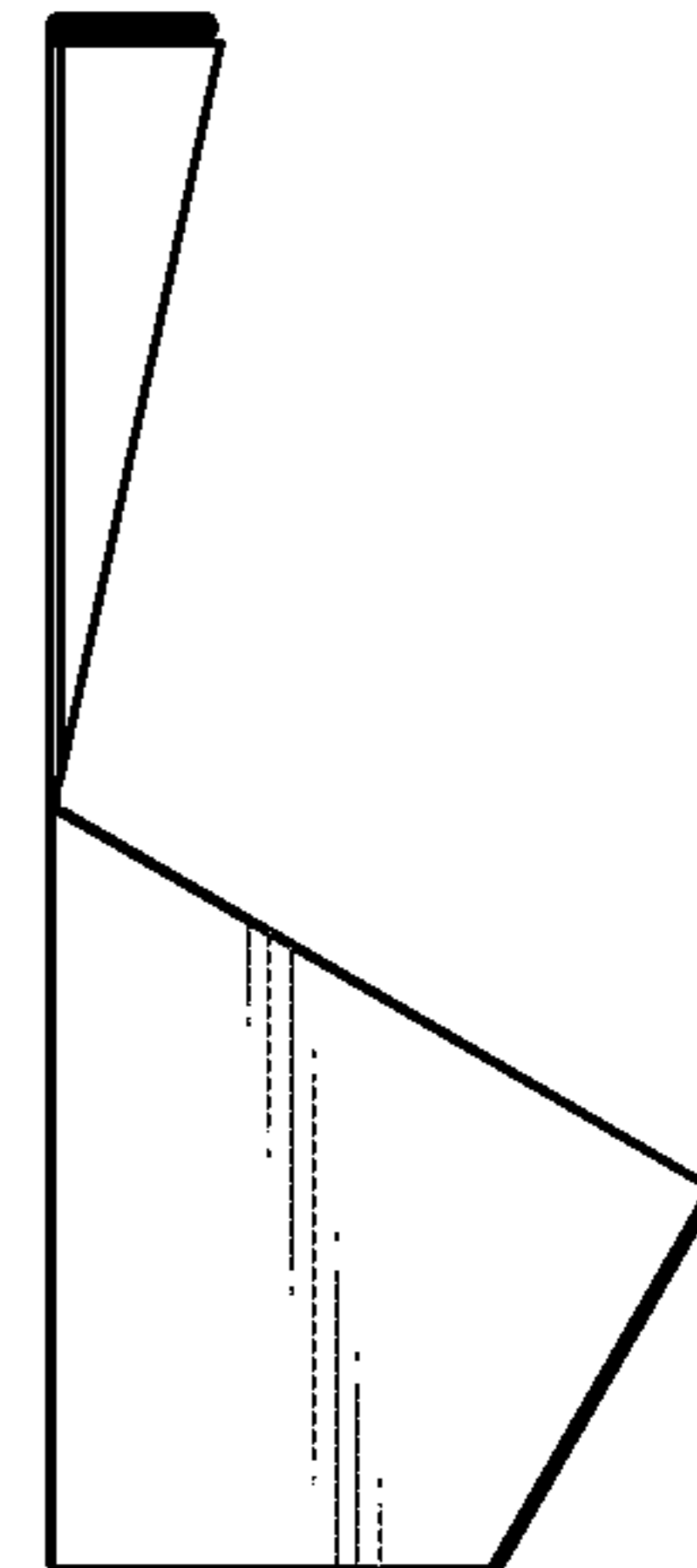


Fig. 3

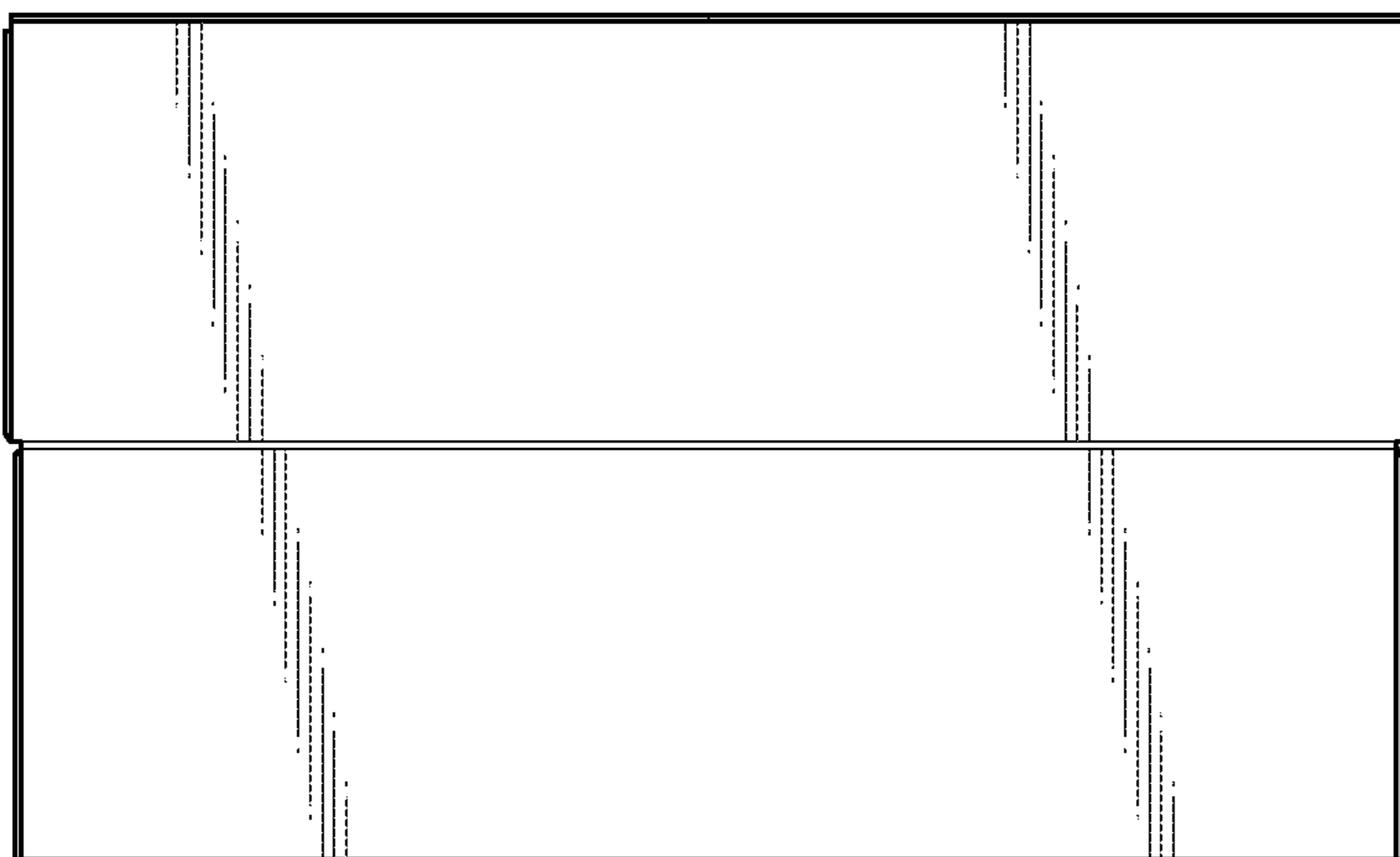


Fig. 4

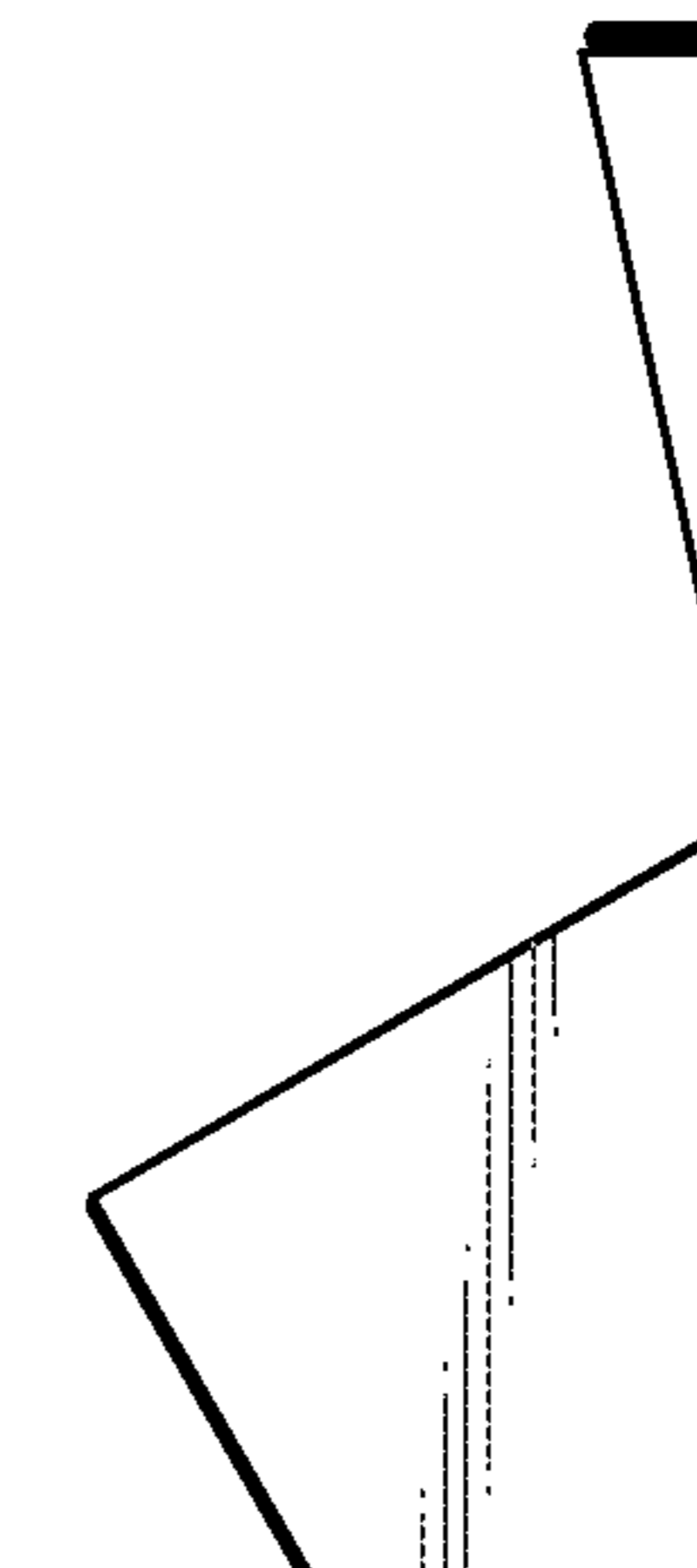


Fig. 5

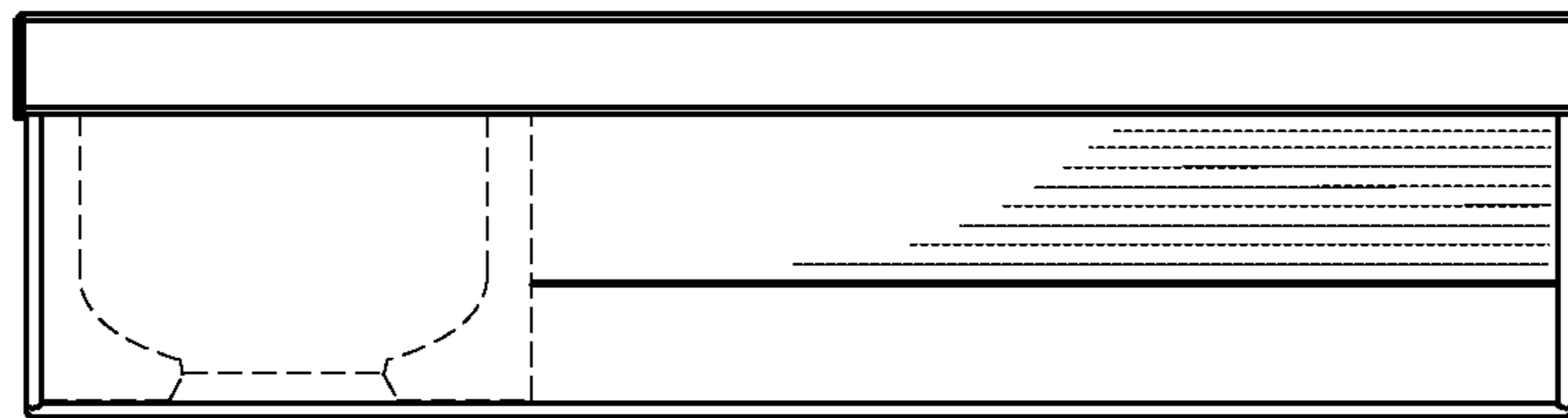


Fig. 6

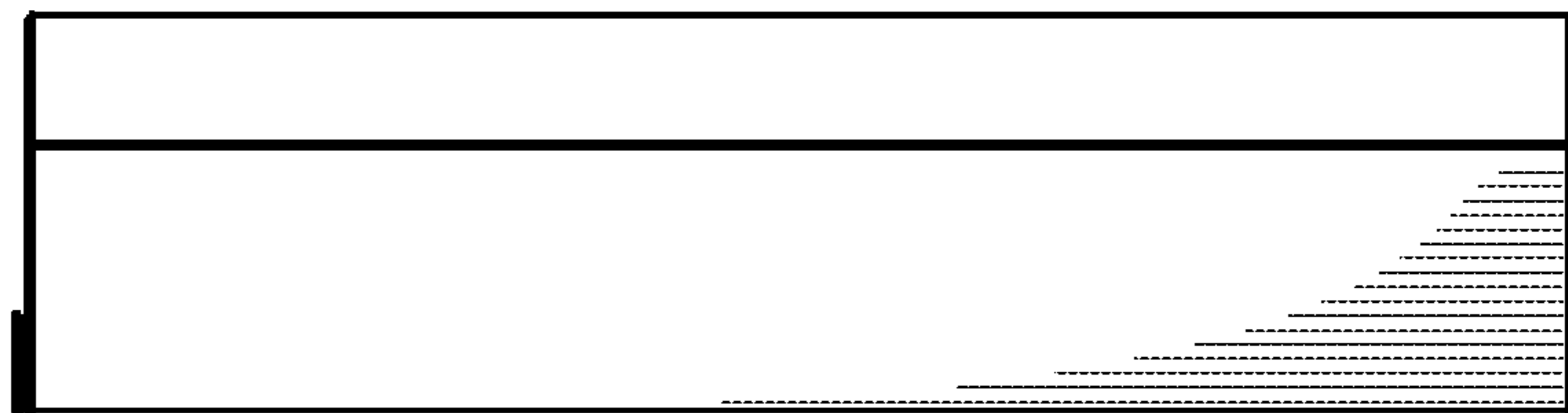


Fig. 7

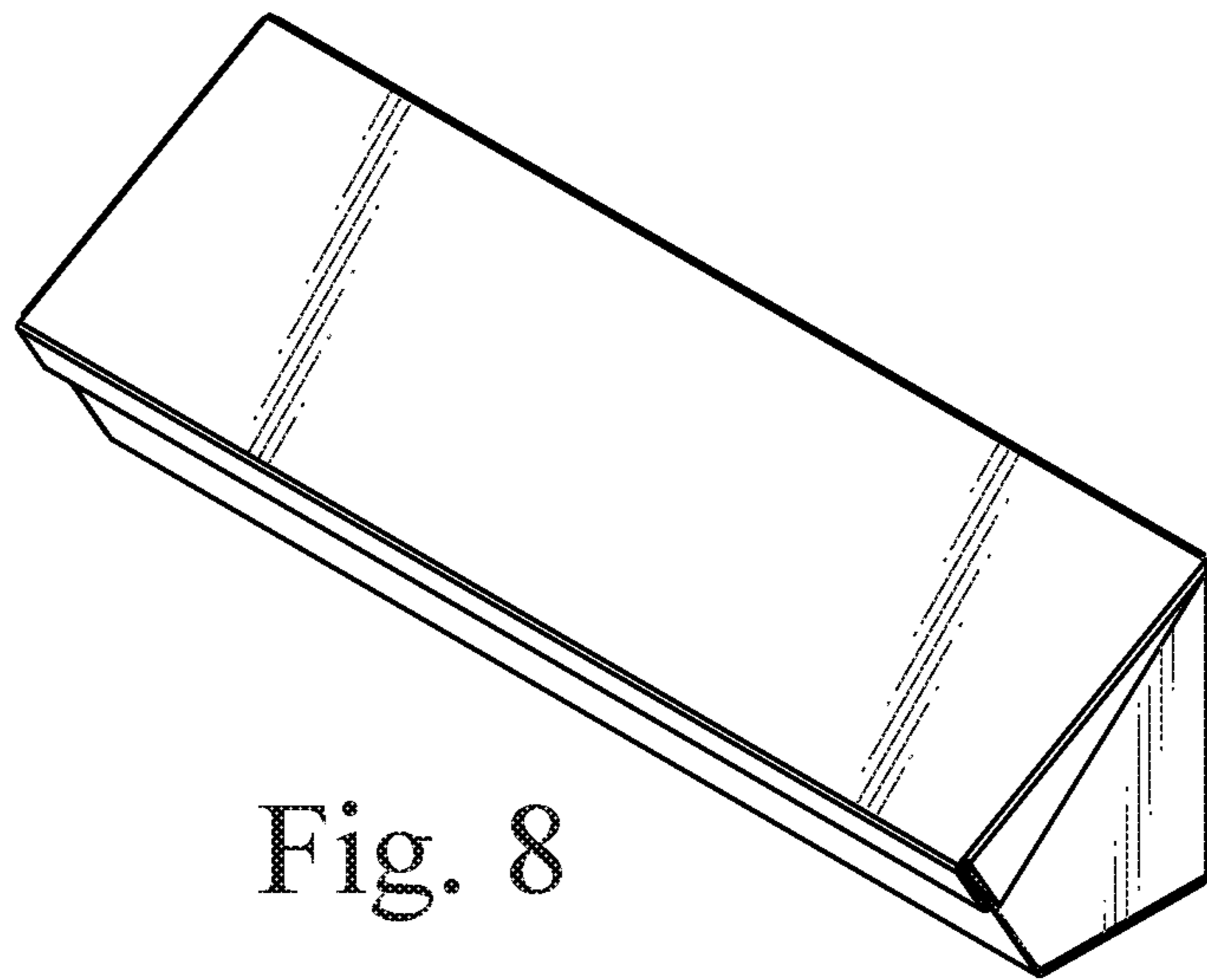


Fig. 8

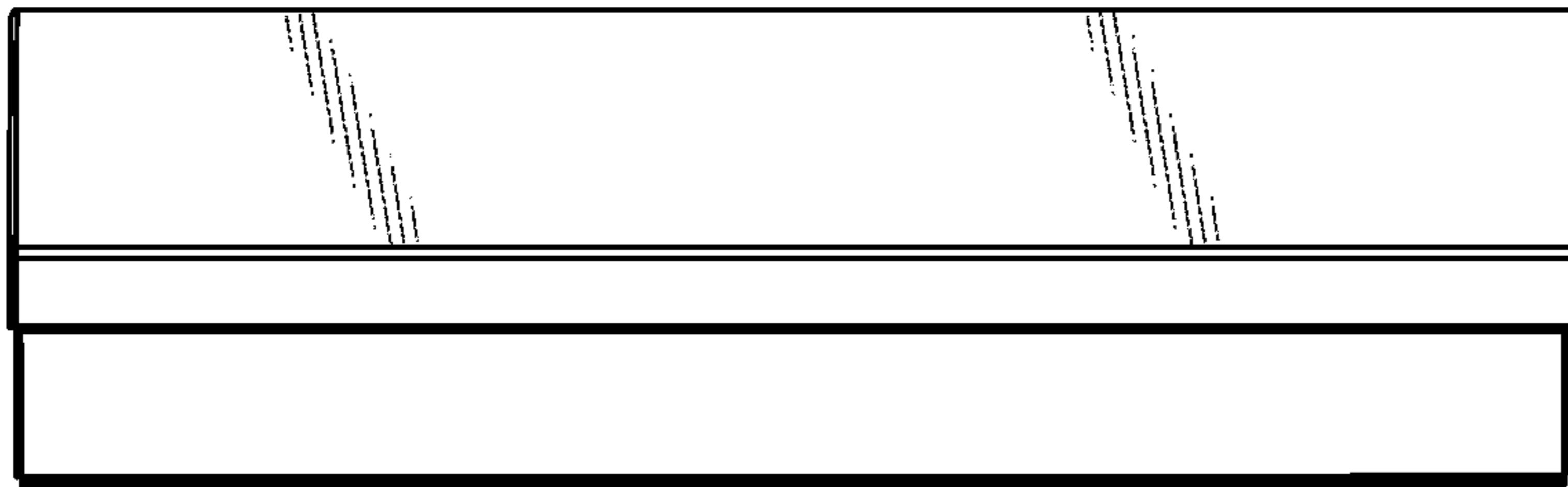


Fig. 9

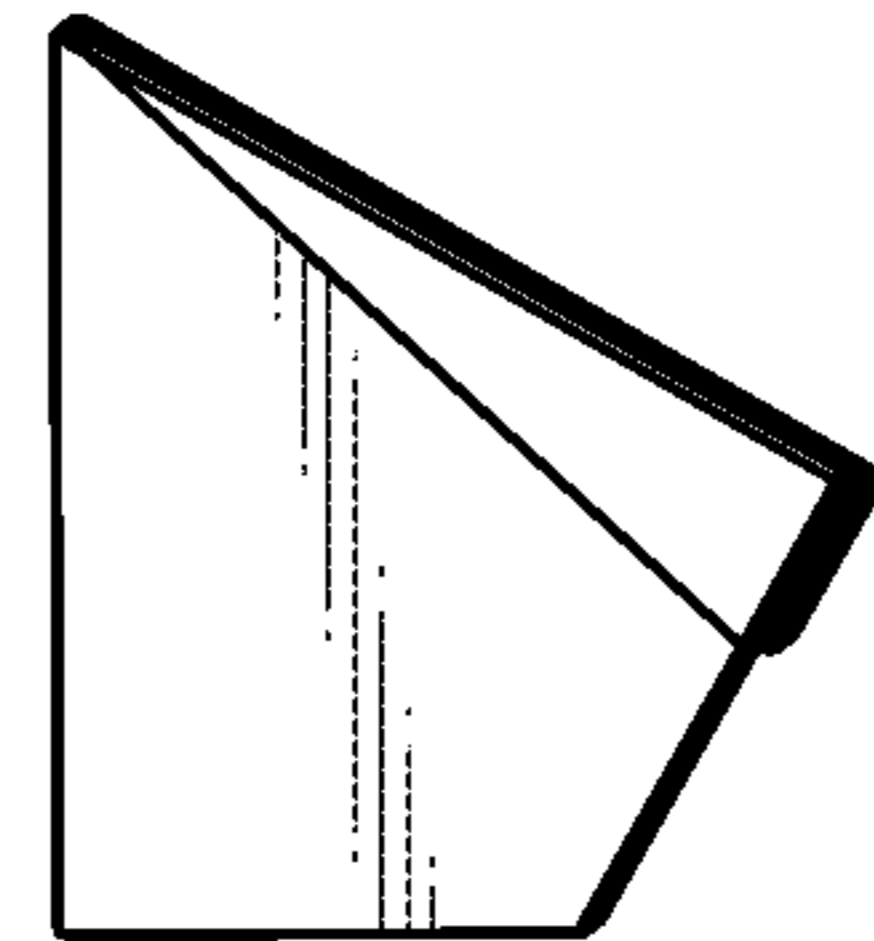


Fig. 10



Fig. 11

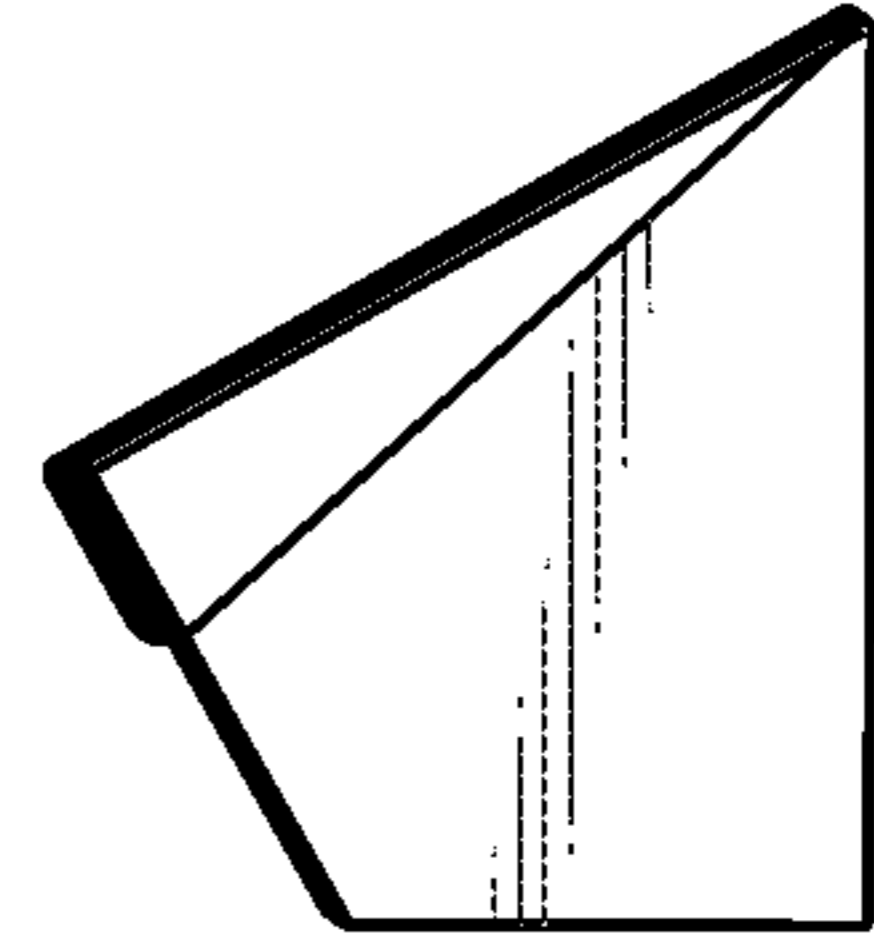


Fig. 12



Fig. 13

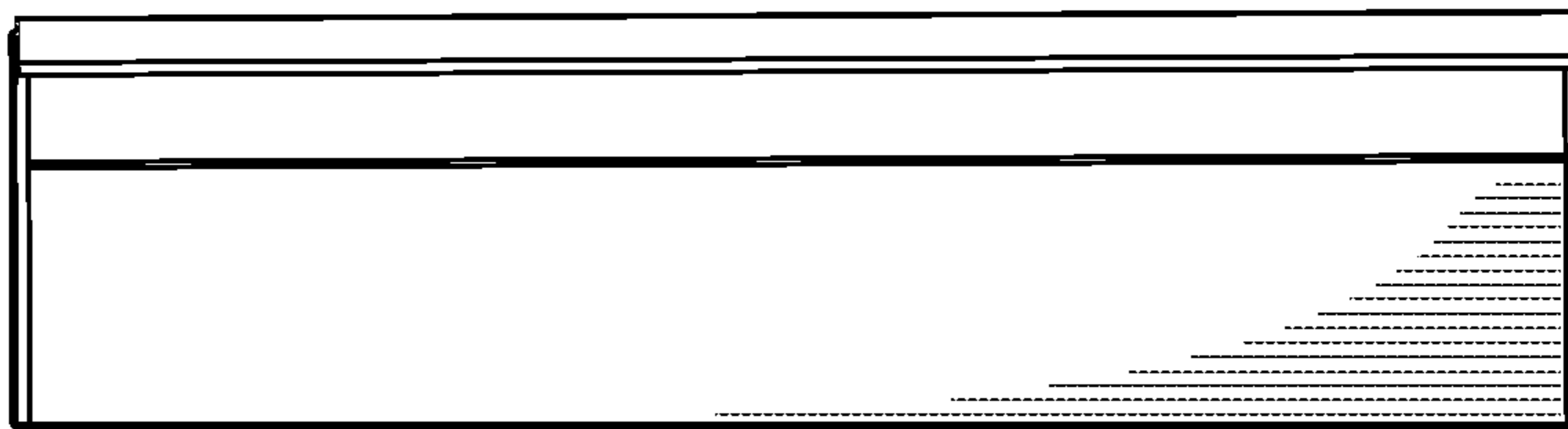


Fig. 14