



US00D873128S

(12) **United States Design Patent** (10) **Patent No.:** **US D873,128 S**
Lu (45) **Date of Patent:** **** Jan. 21, 2020**

(54) **T-NUT**
(71) Applicant: **Sheng-Ching Lu**, Changhua County (TW)
(72) Inventor: **Sheng-Ching Lu**, Changhua County (TW)
(**) Term: **15 Years**
(21) Appl. No.: **29/672,158**
(22) Filed: **Dec. 3, 2018**
(51) **LOC (12) Cl.** **08-08**
(52) **U.S. Cl.**
USPC **D8/397**
(58) **Field of Classification Search**
USPC D8/397, 394, 382, 349, 399; 411/427, 411/374
CPC A61B 17/0401; E04D 13/1476; E04G 25/065; F16B 41/002; F16B 23/0061; F16B 37/14; F16B 35/00
See application file for complete search history.

6,024,626 A * 2/2000 Mendelsohn A63H 33/046 446/124
D438,858 S * 3/2001 del Castillo D14/188
D474,755 S * 5/2003 Senda D14/135
D598,429 S * 8/2009 Nakatani D14/214
D598,430 S * 8/2009 Nakatani D14/214
D613,594 S * 4/2010 Huang D12/213
D613,595 S * 4/2010 Huang D12/213
D625,990 S * 10/2010 Lin D12/213
D635,622 S * 4/2011 Martin D21/681
D696,578 S * 12/2013 Takahashi D8/397
D776,753 S * 1/2017 Uesugi D17/9
D809,377 S * 2/2018 Su D8/397
D821,862 S * 7/2018 Huang D8/397
D852,169 S * 6/2019 Chen D14/217
D855,594 S * 8/2019 Lehman D14/240
2008/0298925 A1 * 12/2008 Shinozaki F16B 19/1081 411/48

* cited by examiner

Primary Examiner — Cynthia R Underwood

(57) **CLAIM**

The ornamental design for a T-nut, as shown and described.

(56) **References Cited**

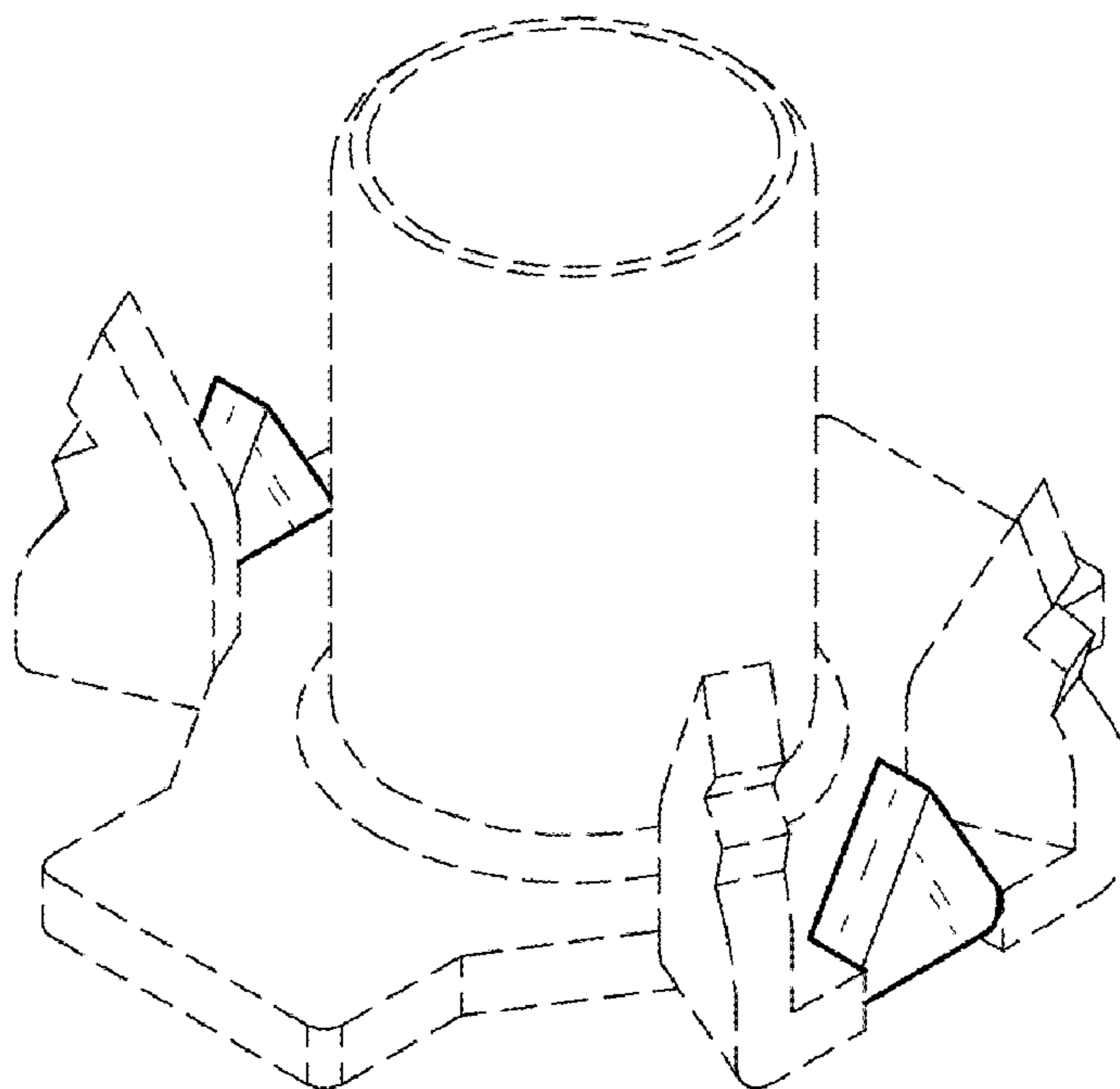
U.S. PATENT DOCUMENTS

3,828,802 A * 8/1974 Spanel A45D 19/02 132/212
3,951,085 A * 4/1976 Johnson B63B 5/18 114/266
4,831,345 A * 5/1989 Schiavone H01P 5/12 29/846
4,952,894 A * 8/1990 Connerney H01P 5/12 333/113
5,259,589 A * 11/1993 Posner F16K 5/0647 251/285
5,687,966 A * 11/1997 Barnhart A63F 7/40 273/108.1

DESCRIPTION

FIG. 1 is a perspective view of a T-nut showing my new design;
FIG. 2 is a front elevational view thereof;
FIG. 3 is a rear elevational view thereof;
FIG. 4 is a left side elevational view thereof;
FIG. 5 is a right side elevational view thereof;
FIG. 6 is a top plan view thereof; and,
FIG. 7 is a bottom plan view thereof.
The broken lines are included for the purpose of illustrating portions of the T-nut that form no part of the claimed design.

1 Claim, 4 Drawing Sheets



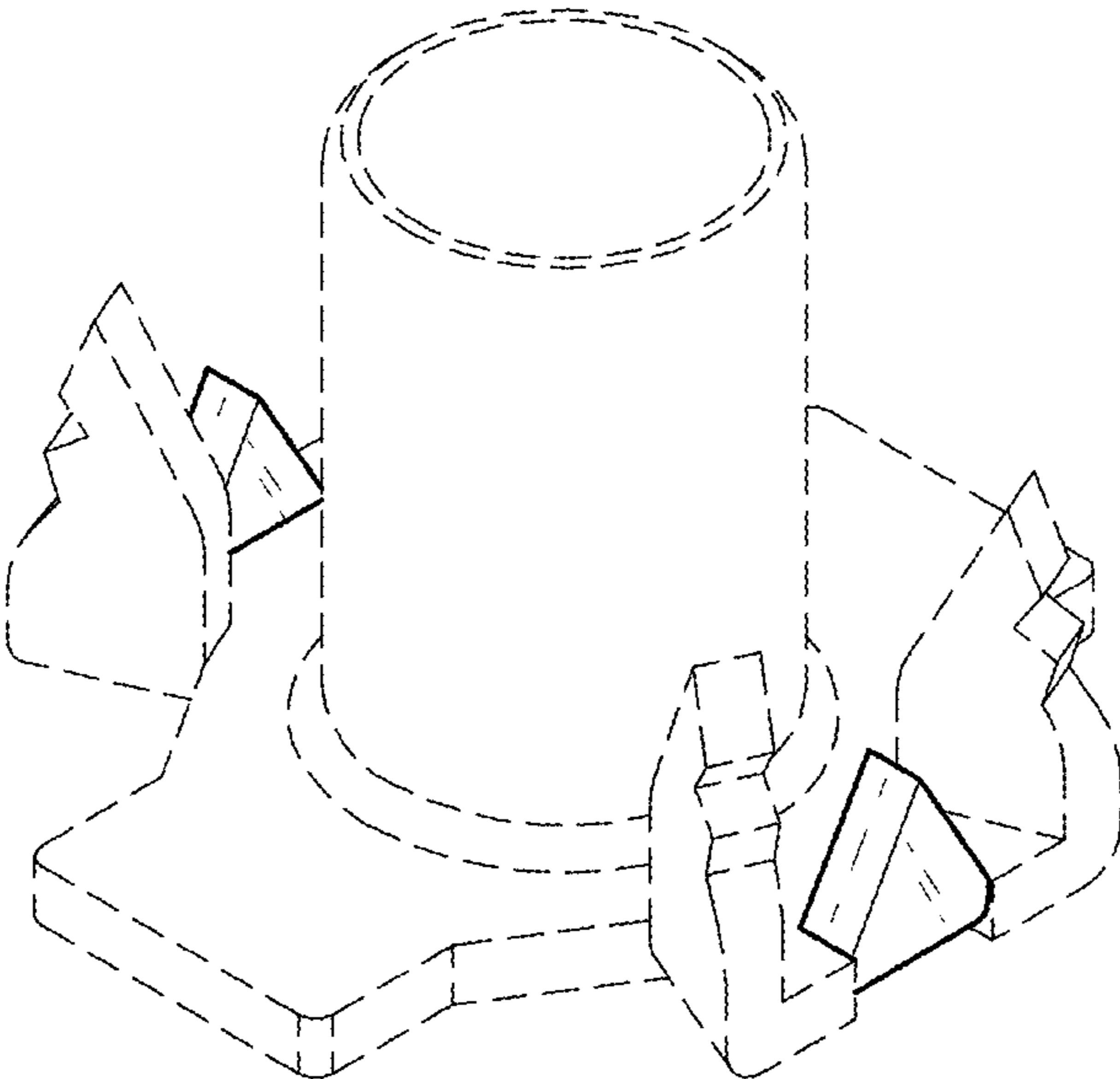


FIG. 1

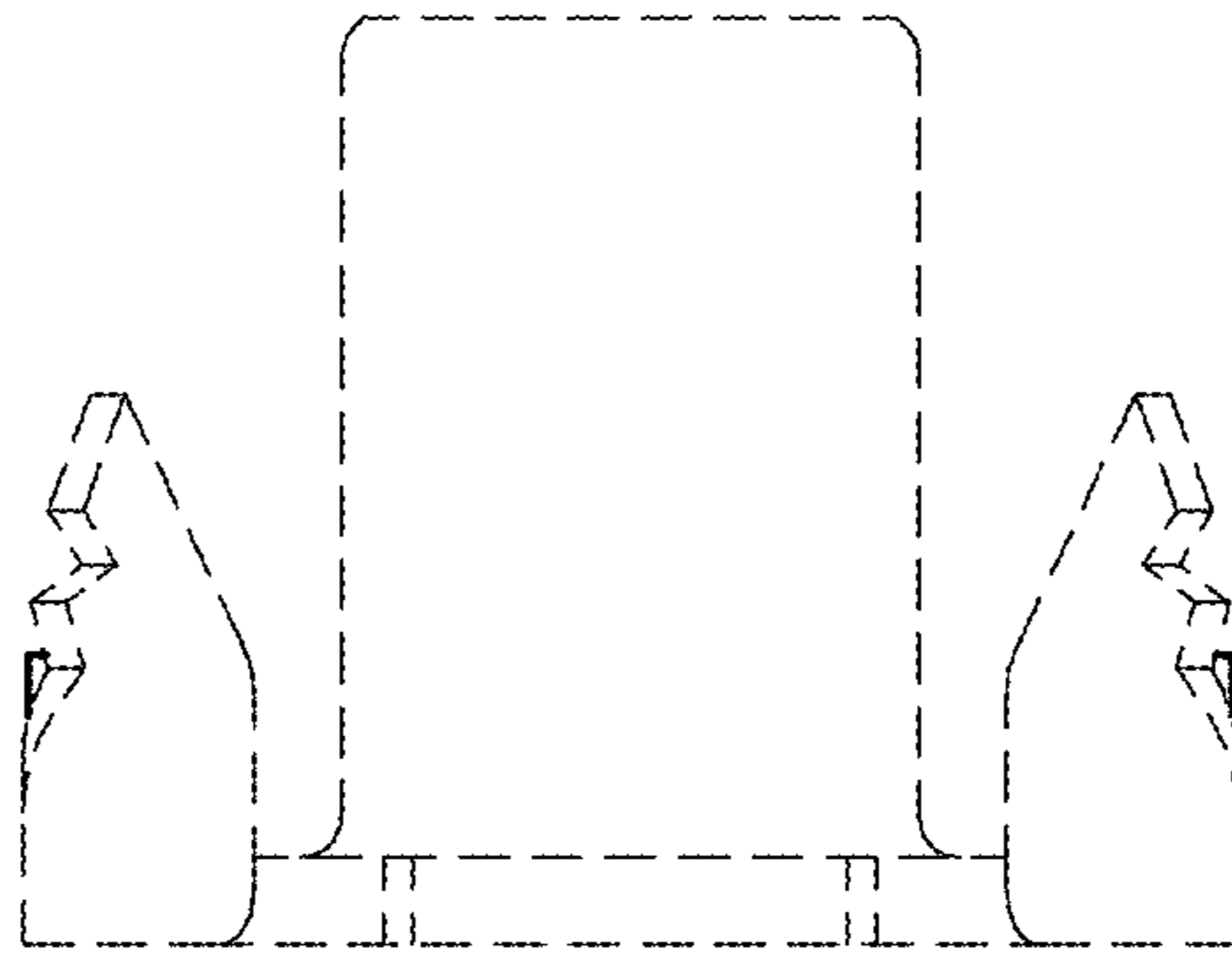


FIG. 2

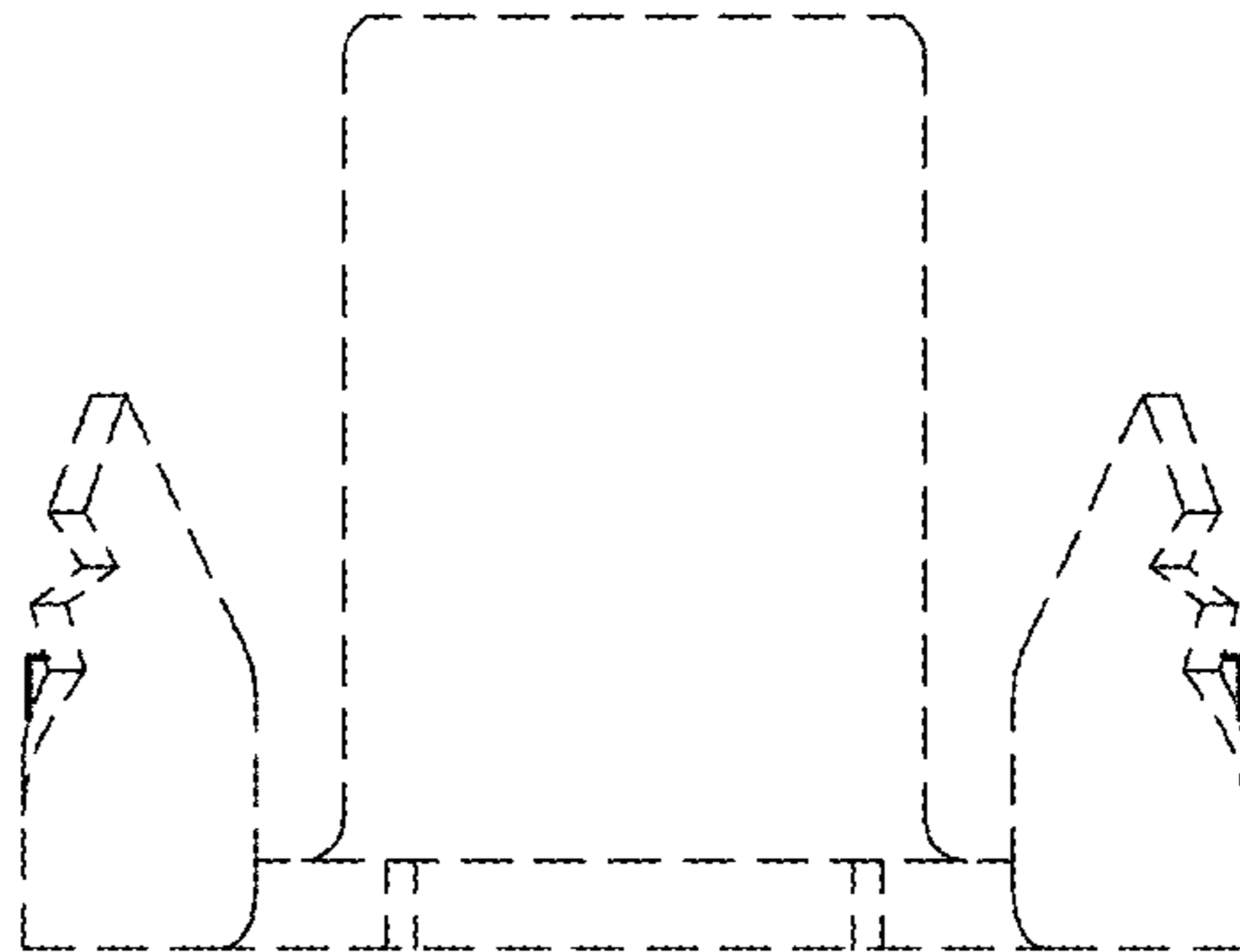


FIG. 3

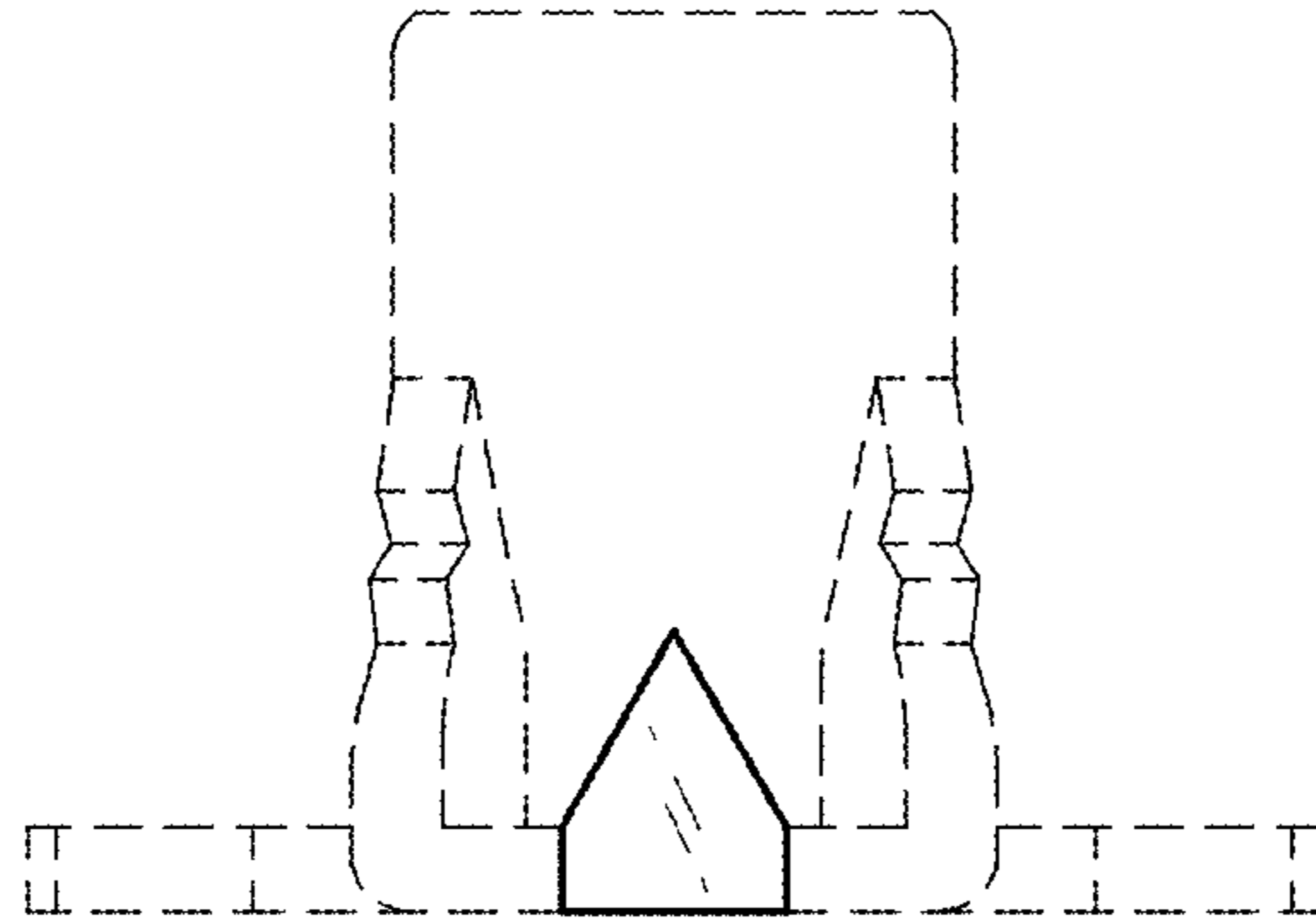


FIG. 4

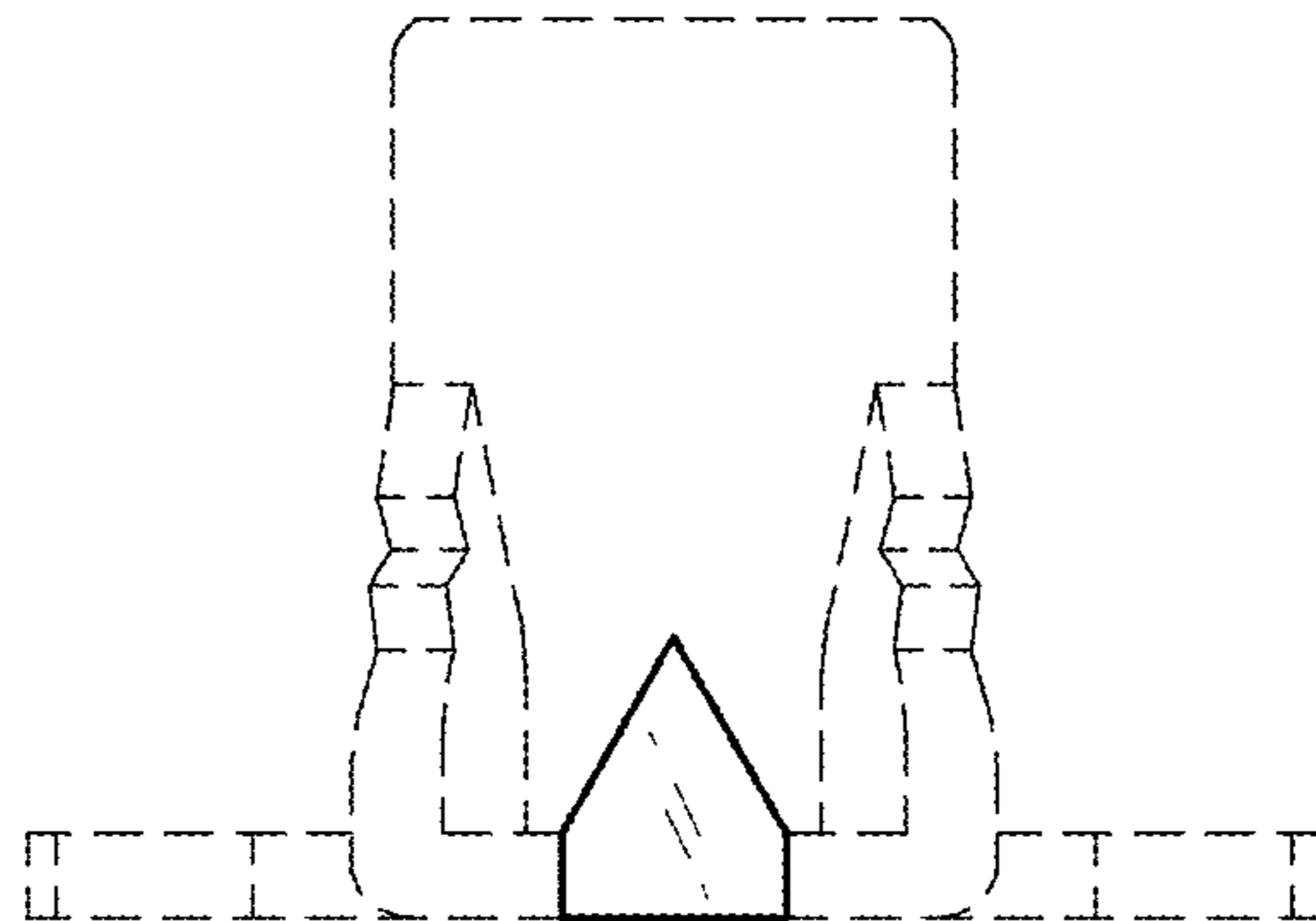


FIG. 5

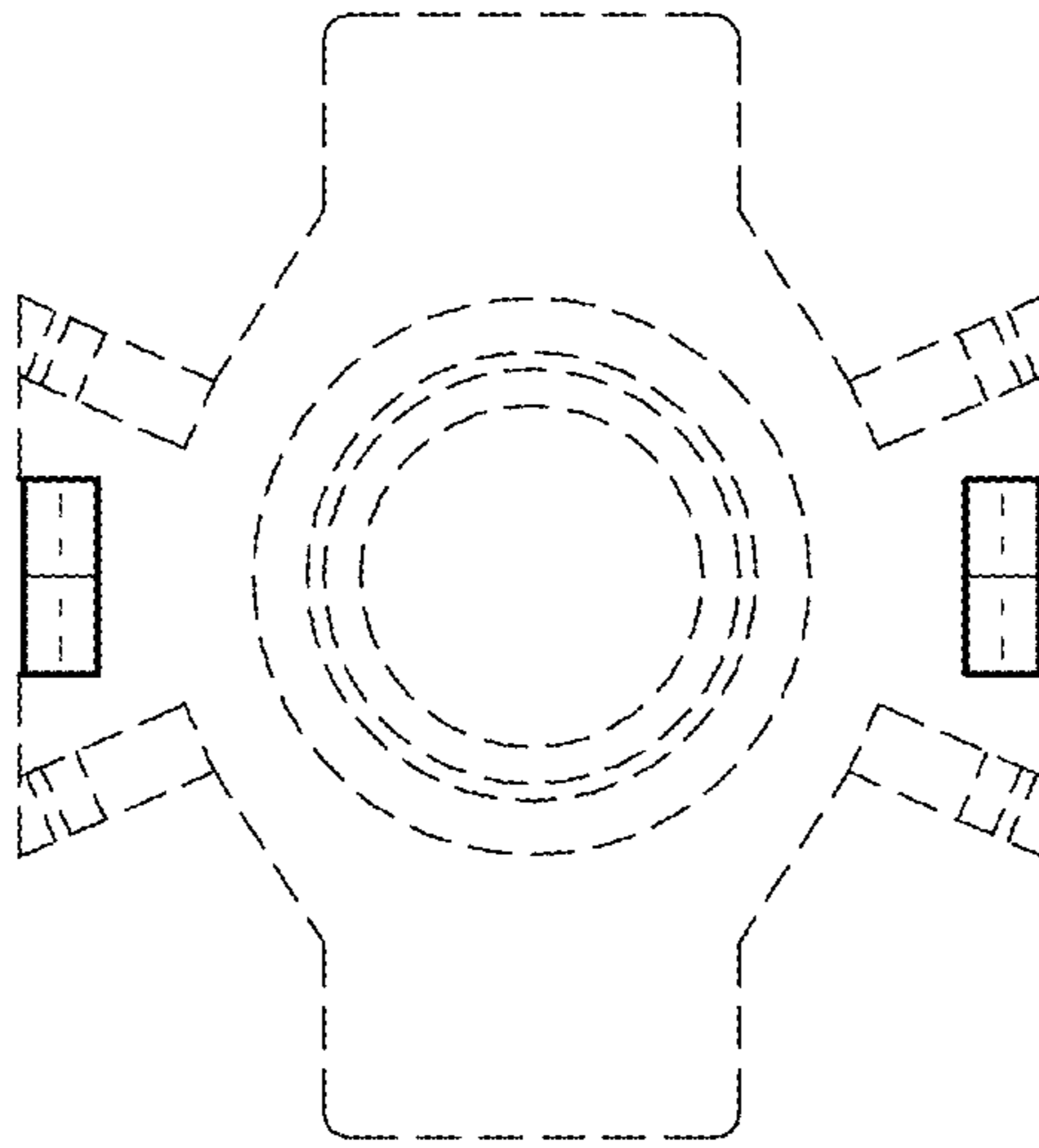


FIG. 6

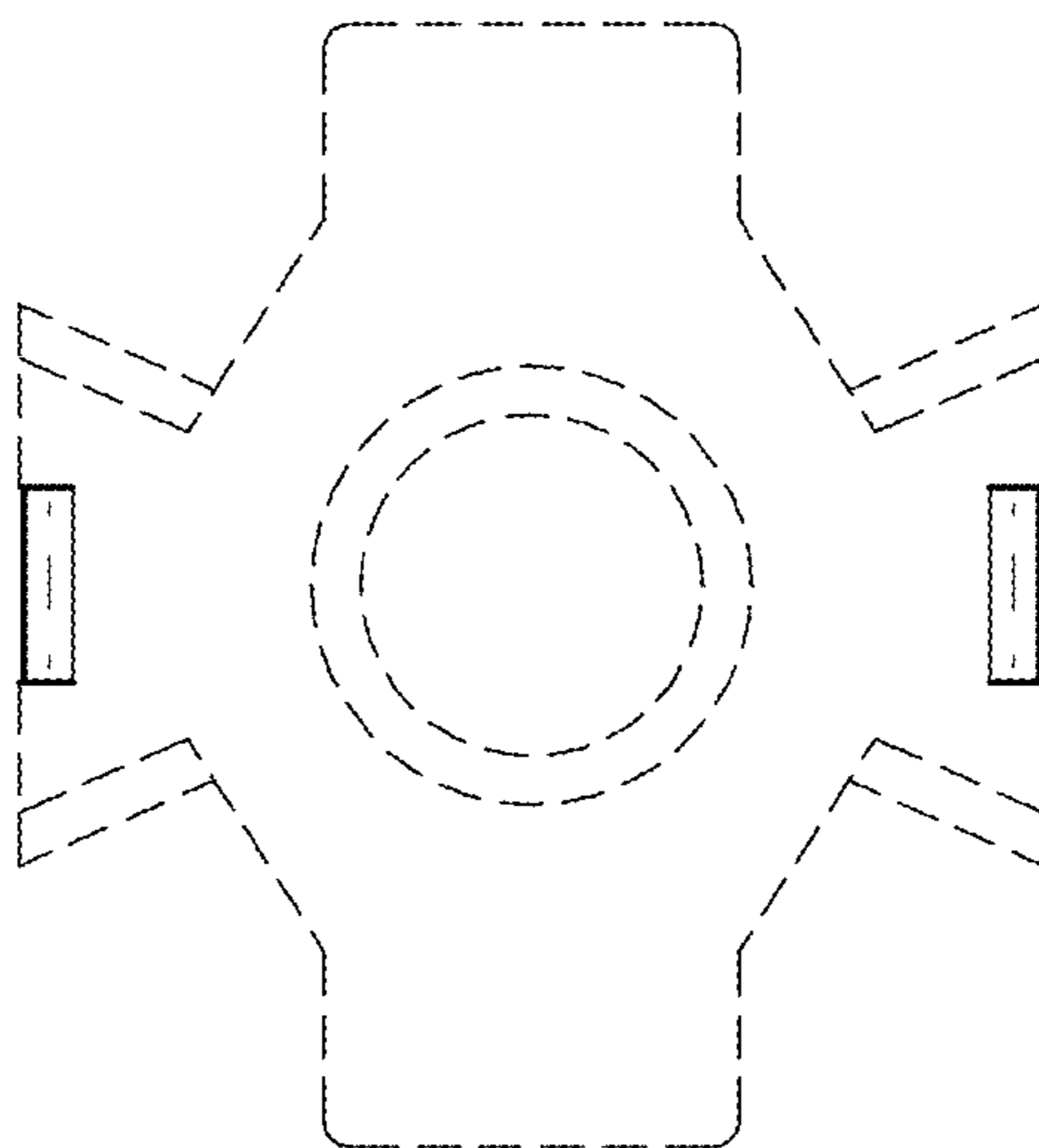


FIG. 7