



US00D873127S

(12) **United States Design Patent**  
**Genenbacher**

(10) **Patent No.:** **US D873,127 S**

(45) **Date of Patent:** **\*\* Jan. 21, 2020**

(54) **REMOVABLE CLAMP FOR DECORATIVE LIGHTS**

(71) Applicant: **Shawn Michael Genenbacher**,  
Lubbock, TX (US)

(72) Inventor: **Shawn Michael Genenbacher**,  
Lubbock, TX (US)

(\*\*) Term: **15 Years**

(21) Appl. No.: **29/657,946**

(22) Filed: **Jul. 26, 2018**

**Related U.S. Application Data**

(63) Continuation of application No. 16/045,849, filed on  
Jul. 26, 2018.

(51) **LOC (12) Cl.** ..... **08-08**

(52) **U.S. Cl.**  
USPC ..... **D8/396; D26/138**

(58) **Field of Classification Search**  
USPC ..... D8/356, 371, 373, 380, 394-396;  
D26/138

CPC . E04B 9/067; E04B 9/068; E04B 9/12; E04B  
9/18; E04B 9/30; E04B 2009/062; E04C  
2003/0413; E04C 2003/0439; E04C  
2003/046; F21V 21/0885; F21V 21/0965;  
F21S 4/10

See application file for complete search history.

(56) **References Cited**

**U.S. PATENT DOCUMENTS**

D230,826 S \* 3/1974 Menshen ..... D8/396  
4,089,087 A \* 5/1978 Heitman ..... F16L 3/2235  
24/329  
D260,879 S \* 9/1981 Avramovich ..... D13/146  
D311,487 S \* 10/1990 Platt ..... D8/356  
D377,843 S \* 2/1997 Schering ..... D26/138  
D387,730 S \* 12/1997 McCarthy ..... D13/133

D409,125 S \* 5/1999 Wang ..... D12/162  
D462,604 S \* 9/2002 Denton ..... D8/357  
D546,762 S \* 7/2007 Kovacs ..... D13/134  
D599,053 S \* 8/2009 Scott ..... D26/138  
D676,314 S \* 2/2013 Cude ..... D8/396  
D763,060 S \* 8/2016 Remmel ..... D8/349  
9,630,769 B2 4/2017 Schultz  
D818,185 S \* 5/2018 Wilson ..... D26/138  
2001/0038159 A1 11/2001 Maranca et al.  
2012/0069587 A1 3/2012 Holland  
2012/0280098 A1 11/2012 Rinck  
2016/0230966 A1 8/2016 DeFrancesco et al.

\* cited by examiner

*Primary Examiner* — John Windmuller

(74) *Attorney, Agent, or Firm* — Vincent J. Allen;  
Carstens & Cahoon, LLP

(57) **CLAIM**

The ornamental design for a removable clamp for decorative lights, as shown and described.

**DESCRIPTION**

FIG. 1 is a perspective view of a removable clamp for decorative lights;

FIG. 2 is a front view of the removable clamp for decorative lights;

FIG. 3 is a back view of the removable clamp for decorative lights;

FIG. 4 is a right side view of the removable clamp for decorative lights;

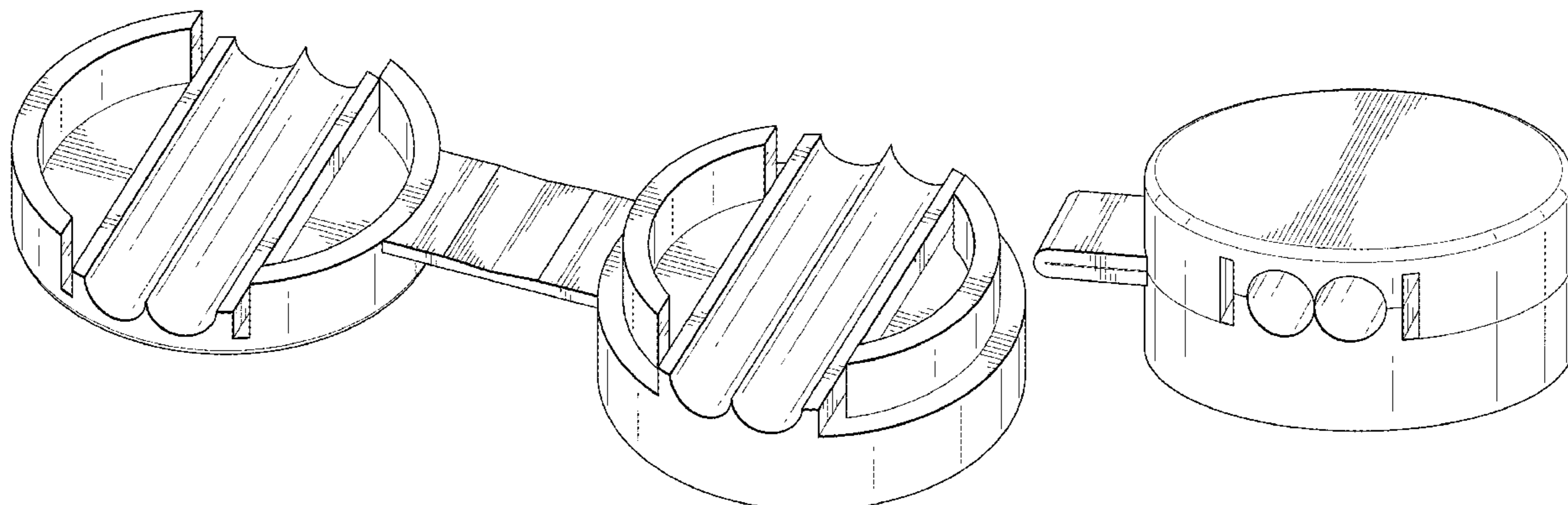
FIG. 5 is a left side view of the removable clamp for decorative lights;

FIG. 6 is a top view of the removable clamp for decorative lights;

FIG. 7 is a bottom view of the removable clamp for decorative lights; and,

FIG. 8 is a perspective view of the removable clamp for decorative lights in a closed position.

**1 Claim, 6 Drawing Sheets**



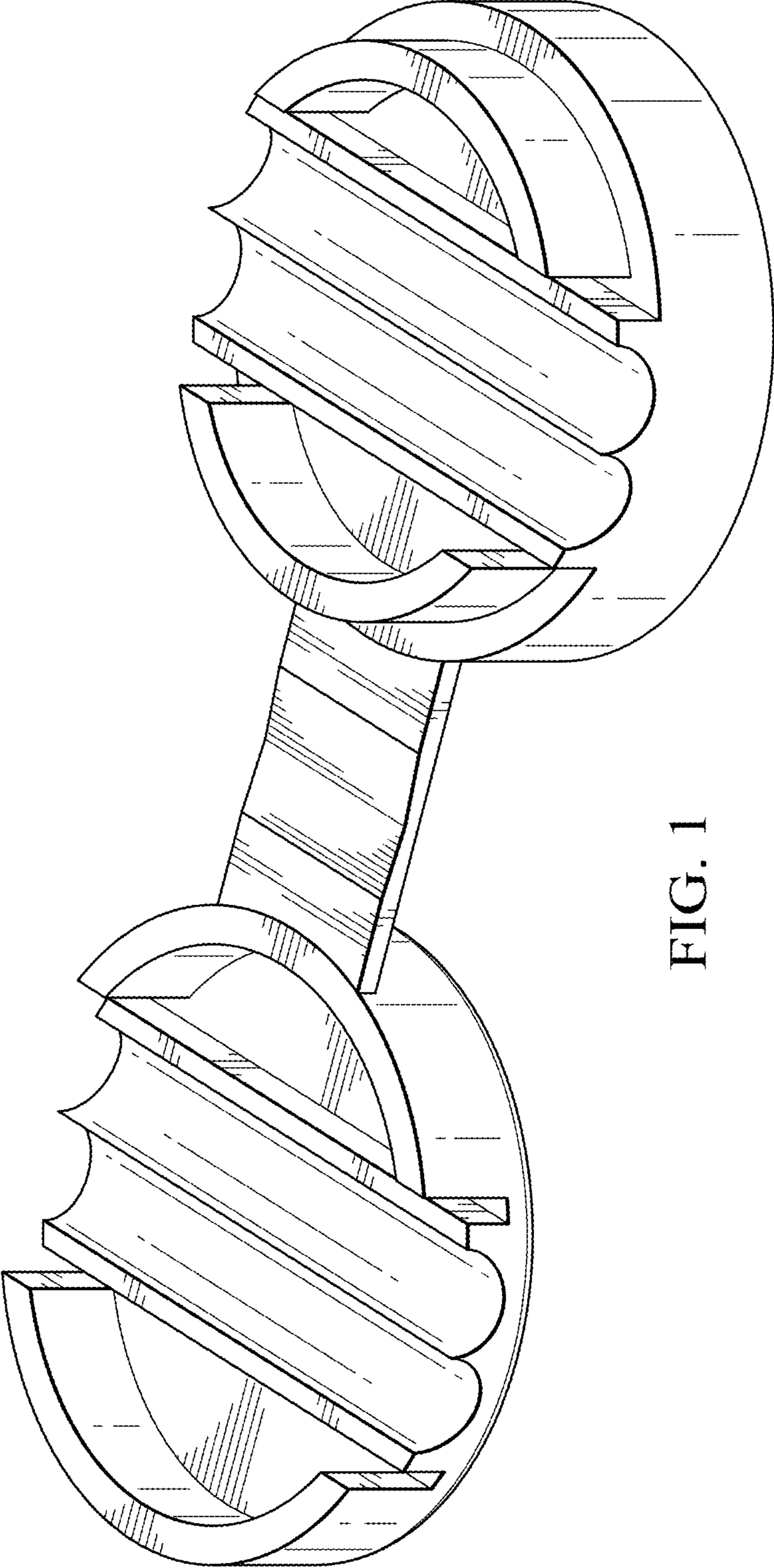


FIG. 1

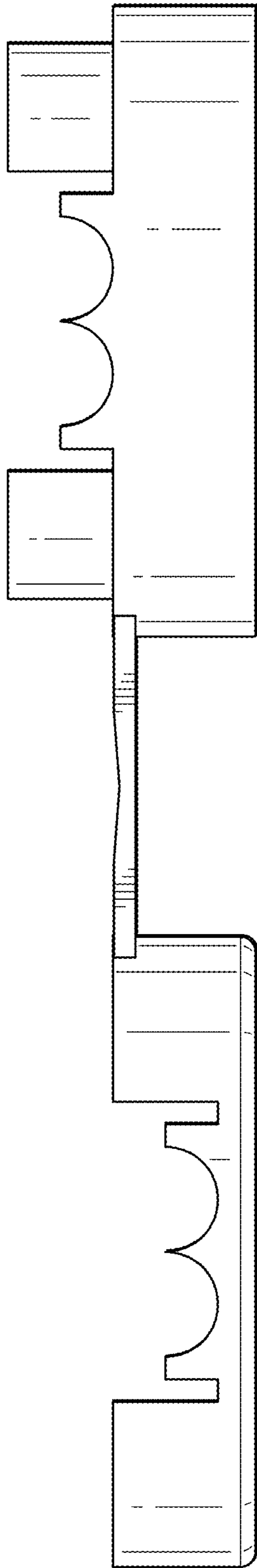


FIG. 2

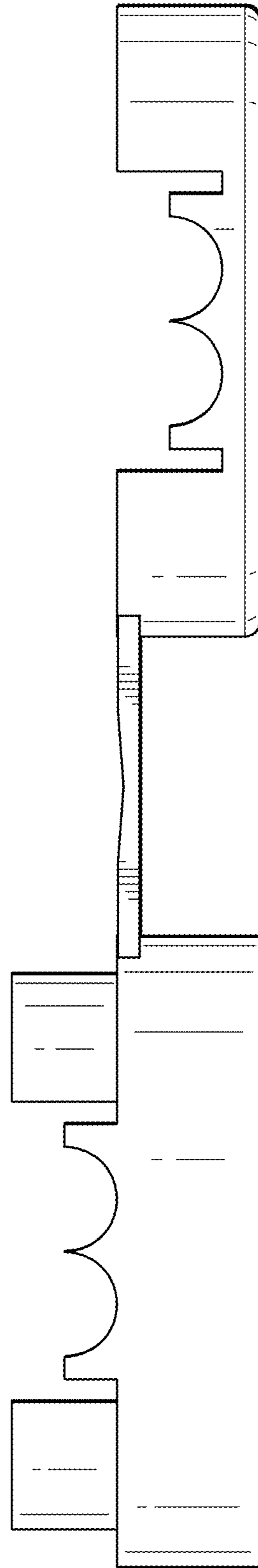


FIG. 3

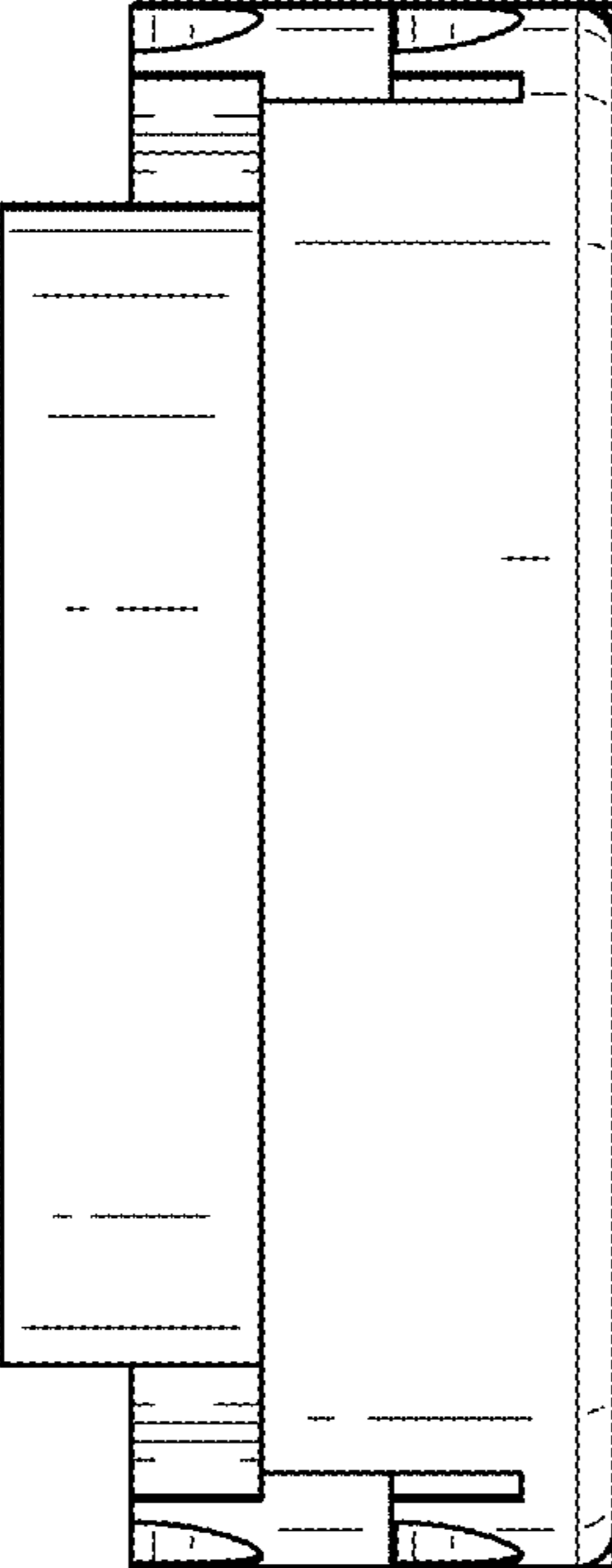


FIG. 5

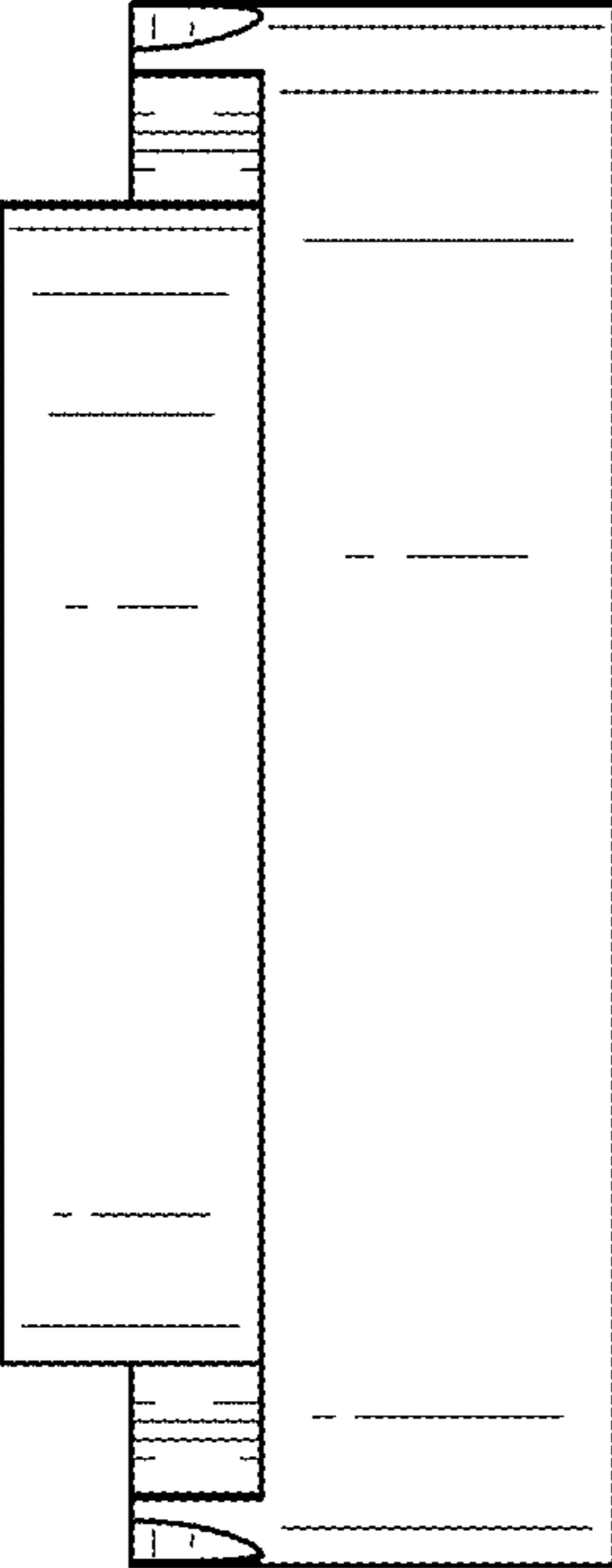


FIG. 4

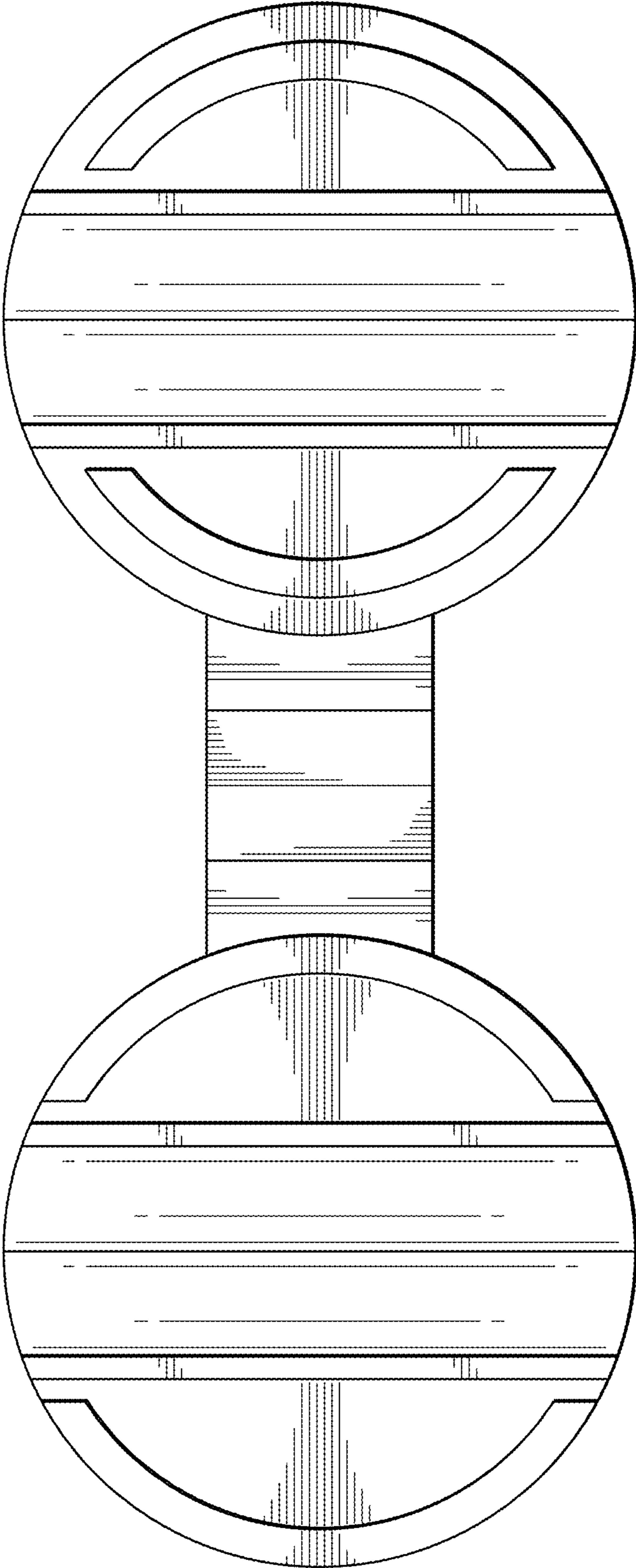


FIG. 6

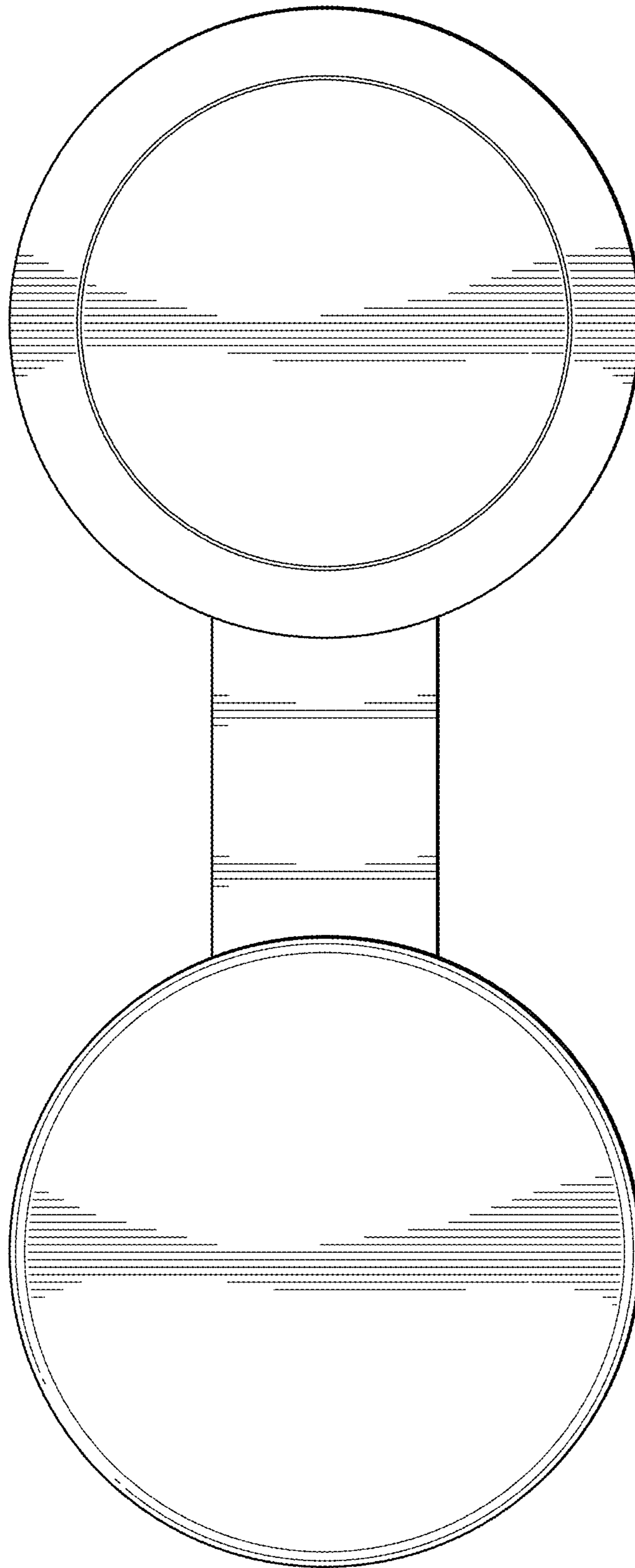


FIG. 7

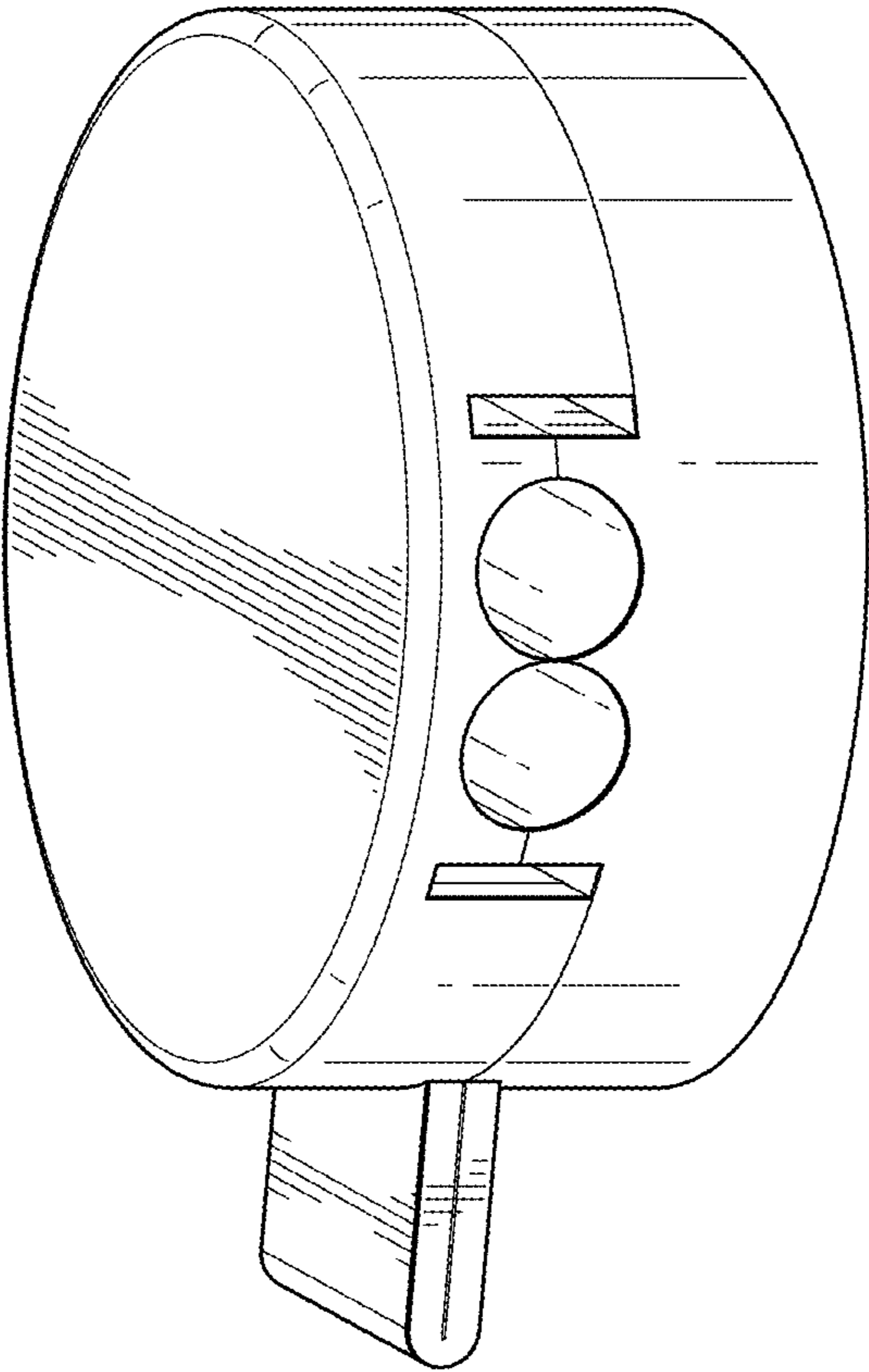


FIG. 8