

US00D873126S

(12) **United States Design Patent**
Tang

(10) **Patent No.:** **US D873,126 S**

(45) **Date of Patent:** **** Jan. 21, 2020**

(54) **CLIP**

(71) Applicant: **YI CHANG LANQUIER GARMENT CO., LTD.**, Zhijiang, Hubei Province (CN)

(72) Inventor: **Yijie Tang**, Zhijiang (CN)

(73) Assignee: **YI CHANG LANQUIER GARMENT CO., LTD.**, Zhijiang (CN)

(**) Term: **15 Years**

(21) Appl. No.: **29/673,319**

(22) Filed: **Dec. 13, 2018**

(51) **LOC (12) Cl.** **08-08**

(52) **U.S. Cl.**
USPC **D8/395; D8/396**

(58) **Field of Classification Search**
USPC D8/394-395, 71-74, 499, 354, 355, 373; D19/65
CPC . D06F 55/00; A41B 3/08; A41F 15/02; F16B 19/1081; G09F 3/14; B42F 1/006; B42F 1/08; B42F 9/001; A47F 7/02
See application file for complete search history.

(56) **References Cited**

U.S. PATENT DOCUMENTS

D304,978 S * 12/1989 Harrington D8/395
5,520,201 A * 5/1996 Hart A45D 8/34
132/273
D404,525 S * 1/1999 Knudsen D28/42

D473,014 S * 4/2003 Shyu D28/40
D483,151 S * 12/2003 Walker D28/40
D571,179 S * 6/2008 Ahlgren D8/395
D583,994 S * 12/2008 Pichon D28/39
D591,905 S * 5/2009 Pichon D28/39
D602,656 S * 10/2009 Fuhrer D30/162
D607,716 S * 1/2010 Chiu D8/395
D671,824 S * 12/2012 van der Lande D8/395
D700,507 S * 3/2014 Tavasi D8/395
D731,912 S * 6/2015 Beverly D10/121
D799,951 S * 10/2017 Habraken D8/395
D837,642 S * 1/2019 Ksiazek D8/395
D858,266 S * 9/2019 Bowman D8/395
2005/0183579 A1 * 8/2005 Bowers A47G 21/106
99/279

* cited by examiner

Primary Examiner — John Windmuller

(74) *Attorney, Agent, or Firm* — Rabin & Berdo, P.C.

(57) **CLAIM**

The ornamental design for a clip, as shown and described.

DESCRIPTION

FIG. 1 is a perspective view of a clip showing my new design;

FIG. 2 is a front view thereof;

FIG. 3 is a rear view thereof;

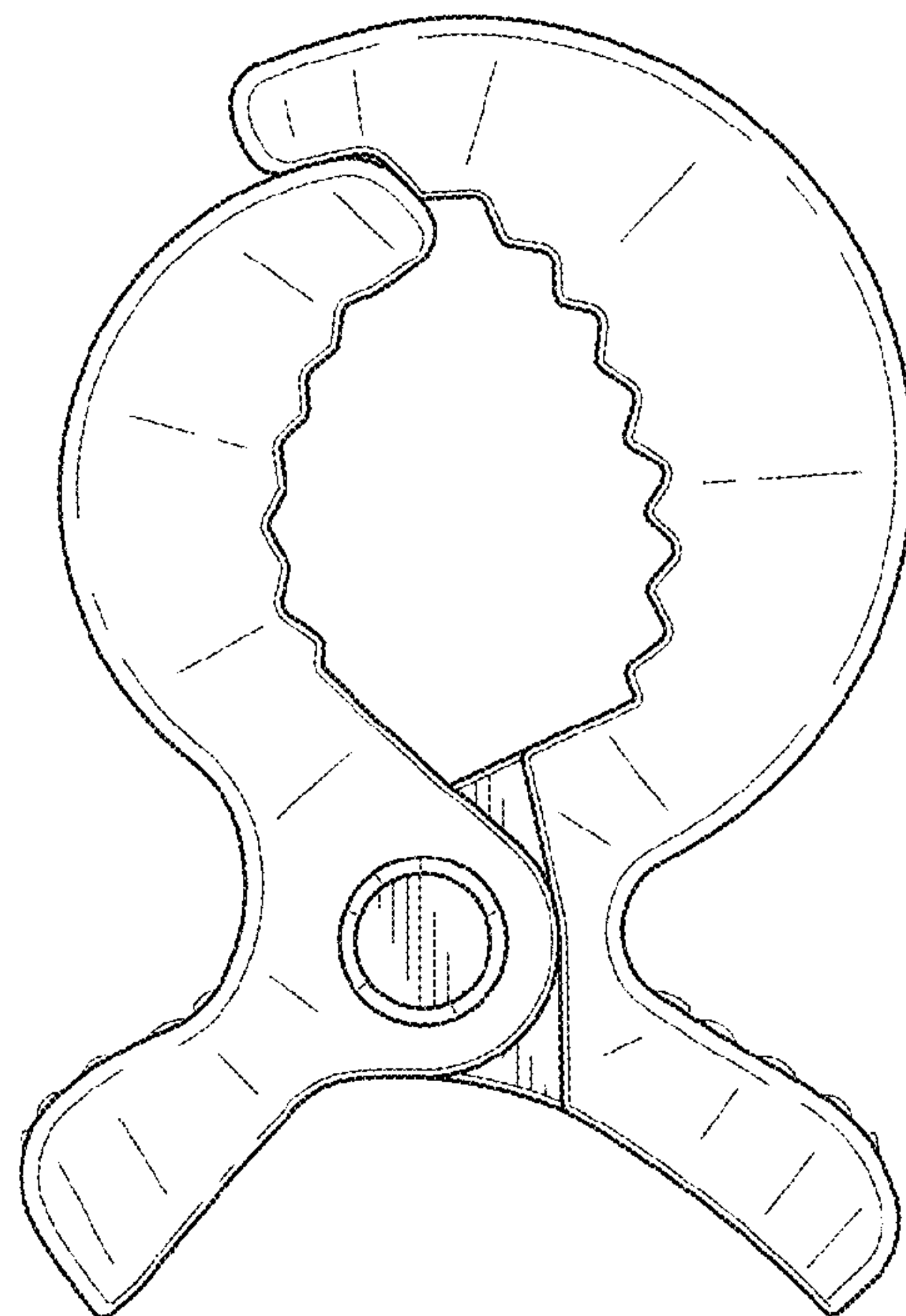
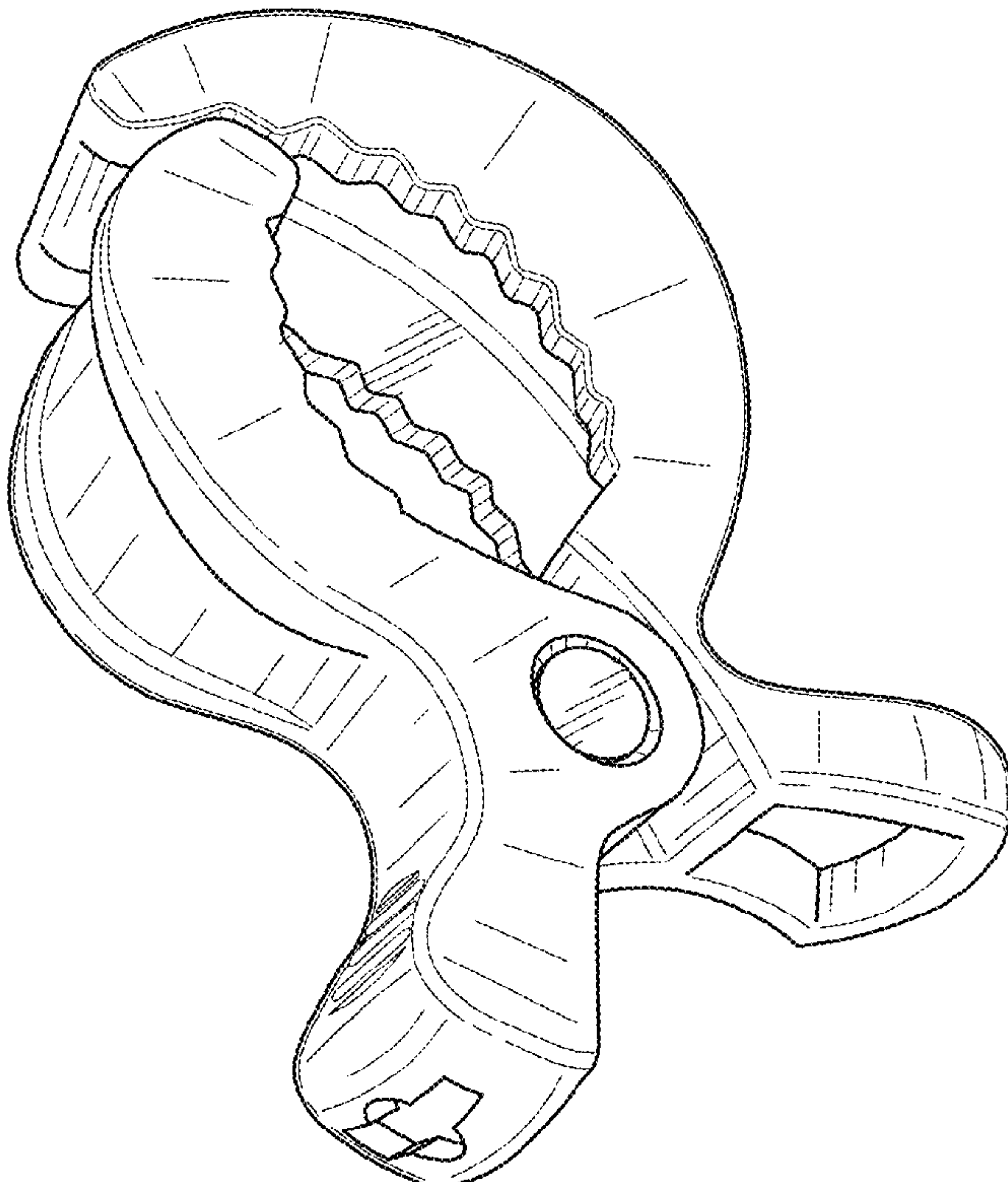
FIG. 4 is a left side view thereof;

FIG. 5 is a right side view thereof;

FIG. 6 is a top plan view thereof; and,

FIG. 7 is a bottom plan view thereof.

1 Claim, 3 Drawing Sheets



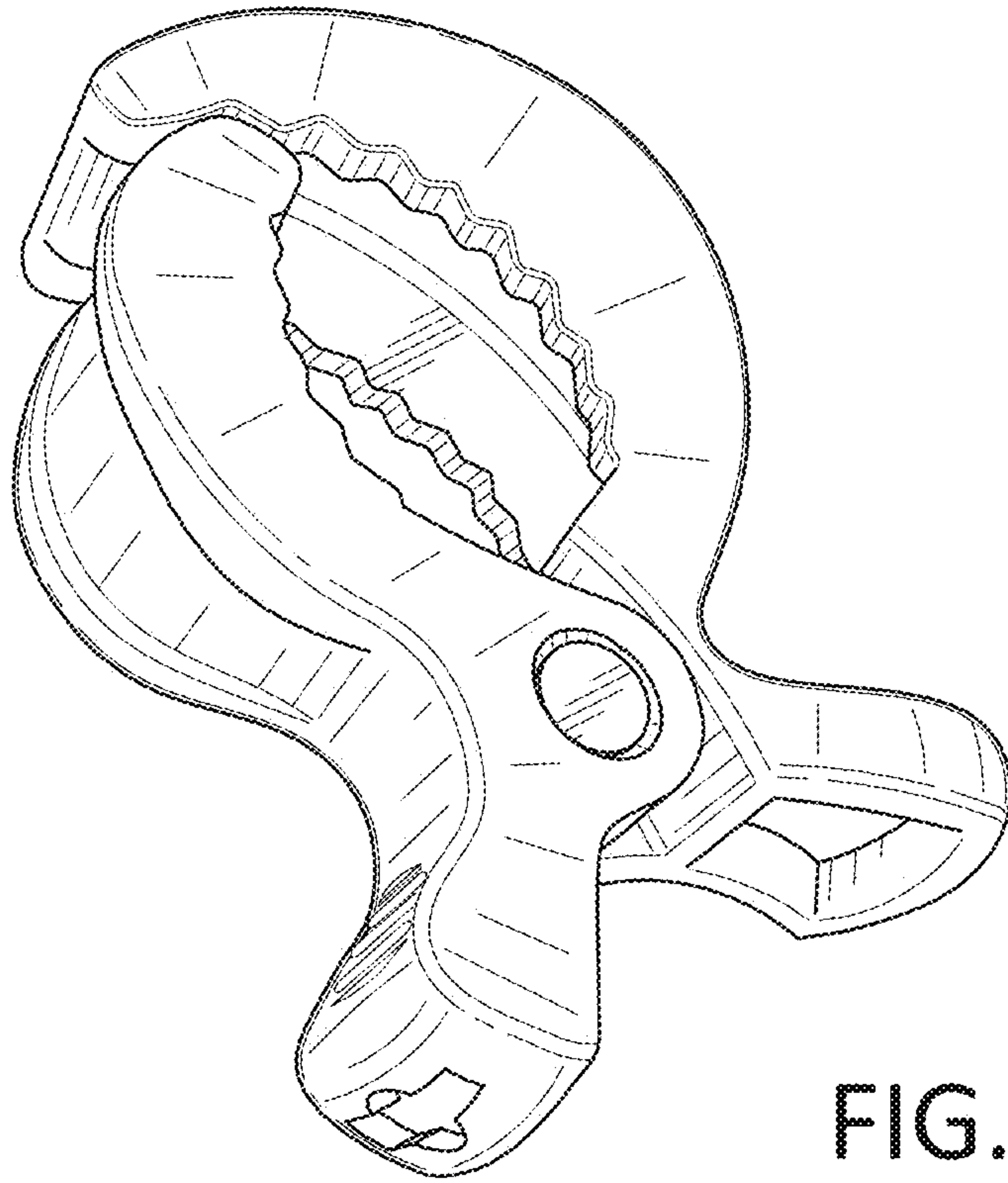


FIG. 1

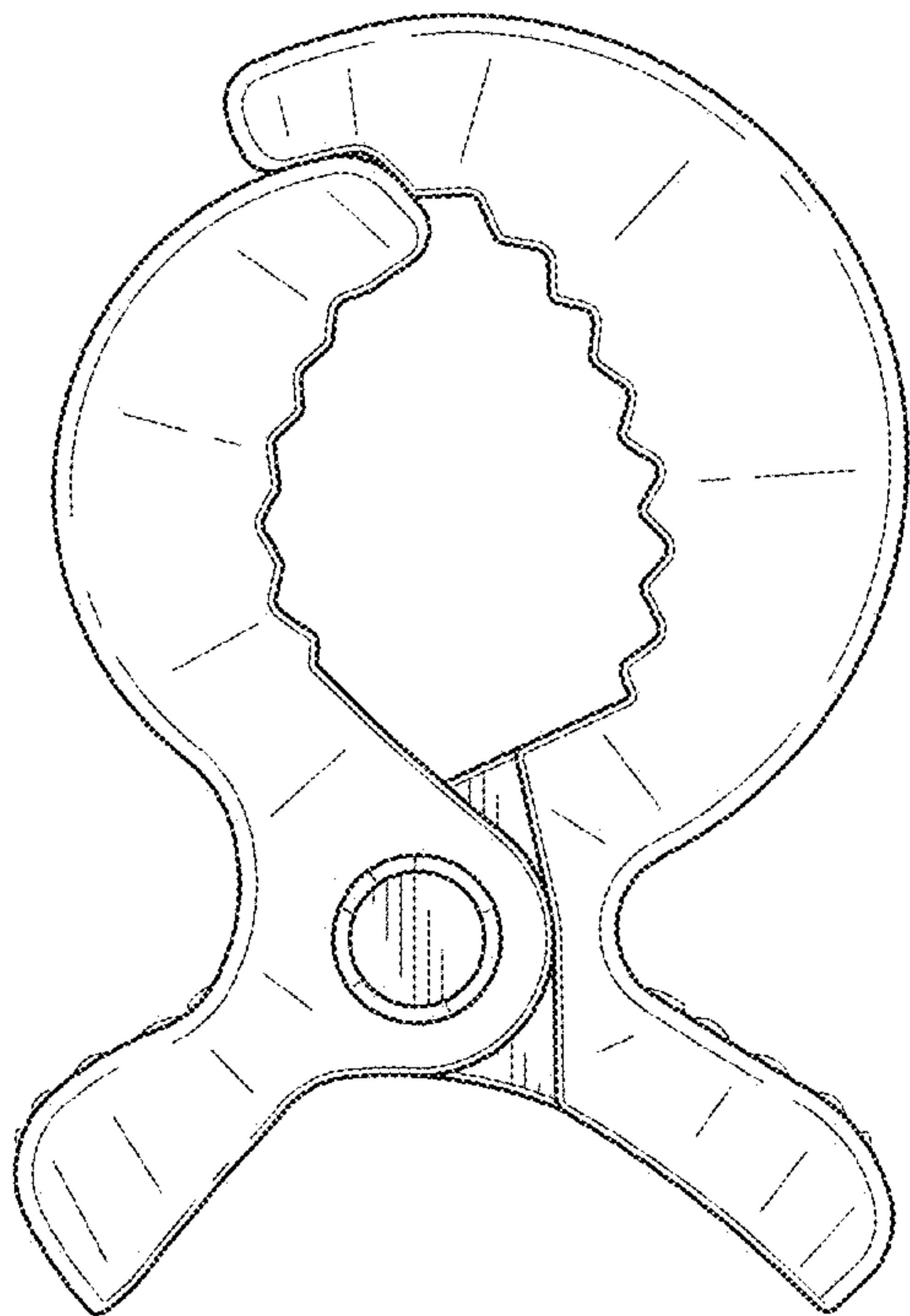


FIG. 2

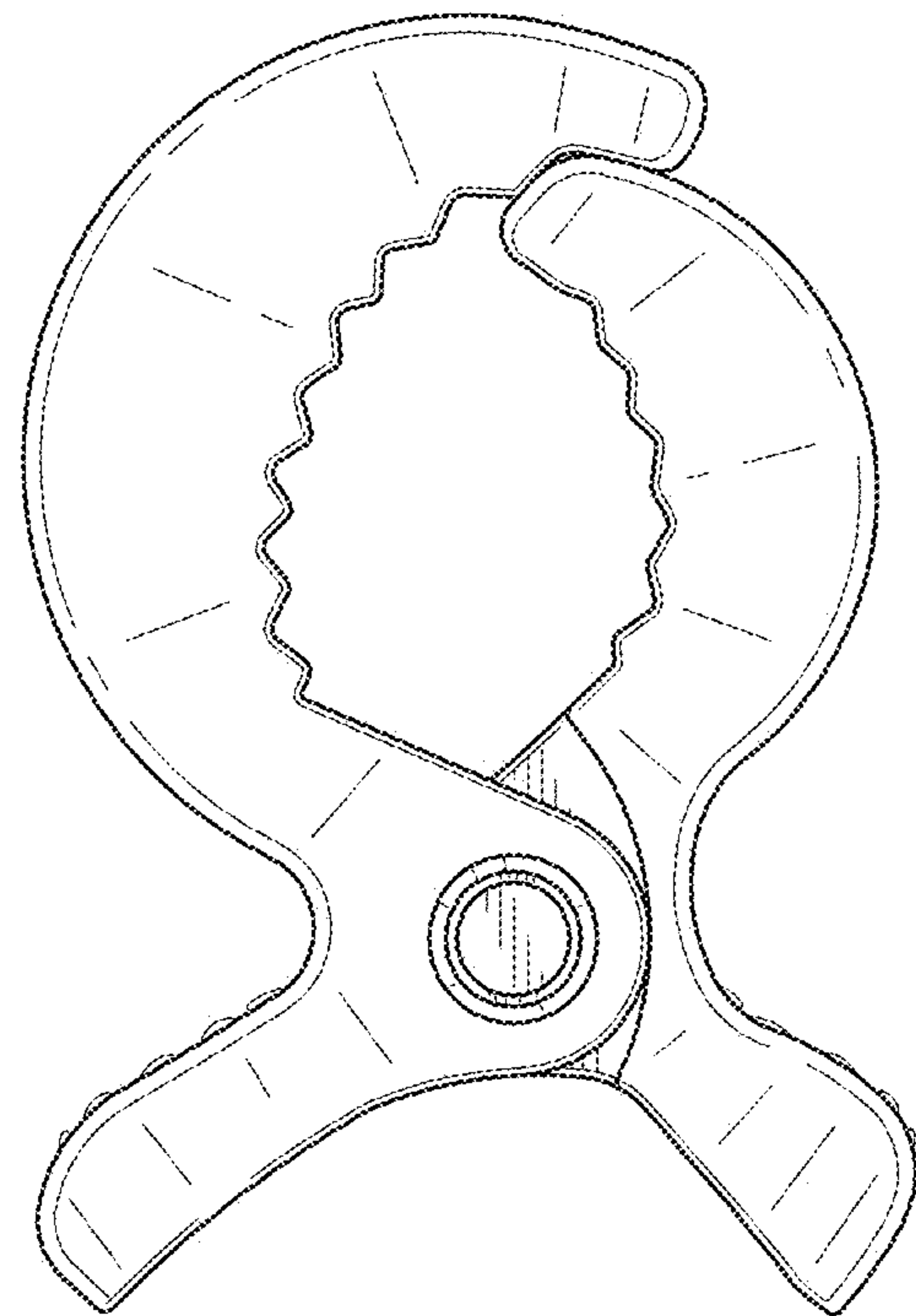


FIG. 3

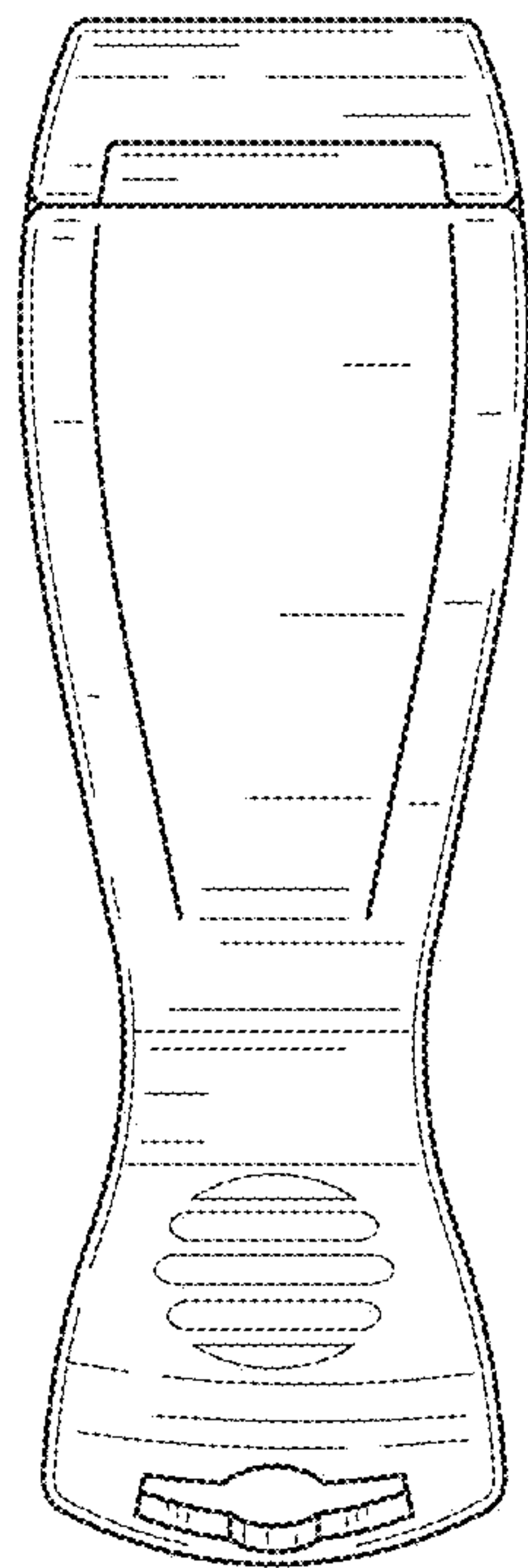


FIG. 4

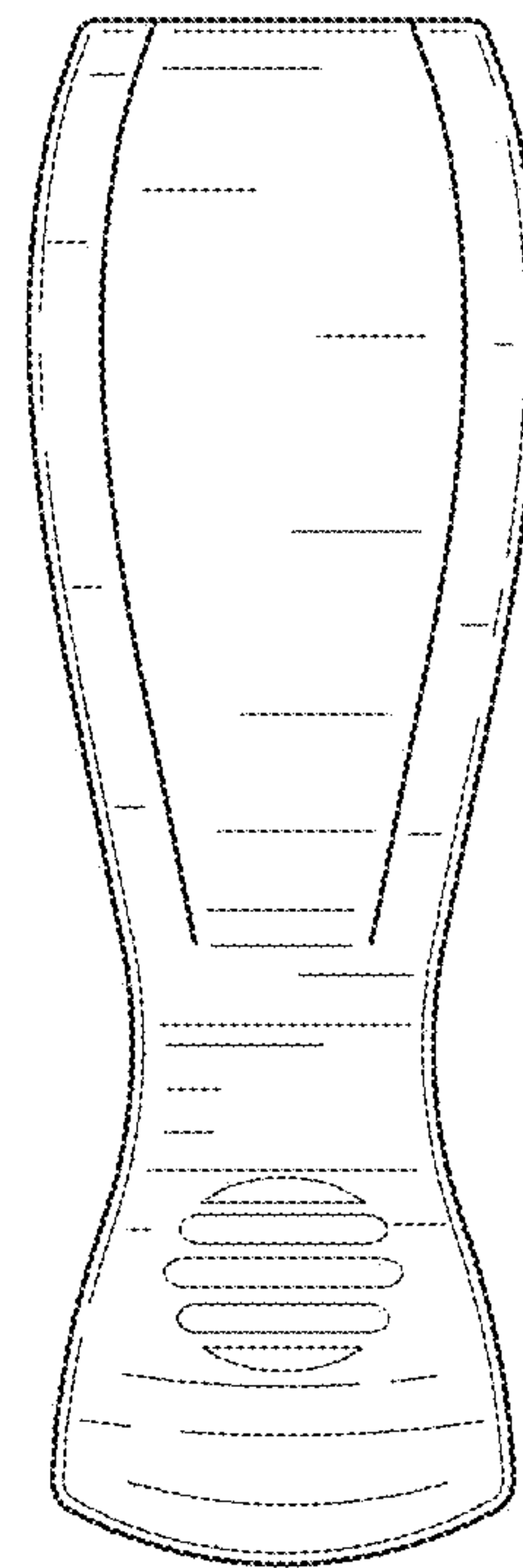


FIG. 5

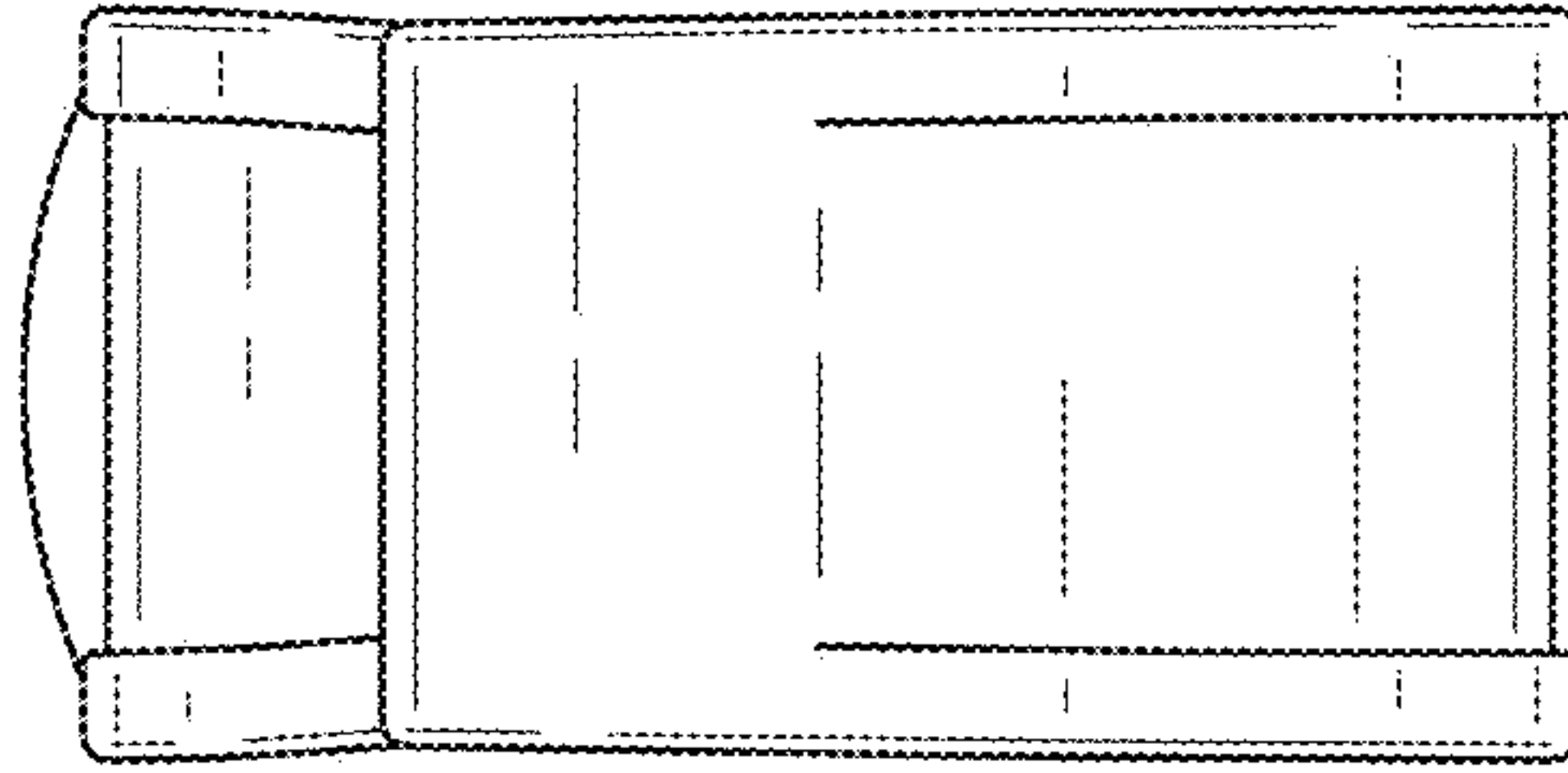


FIG. 6

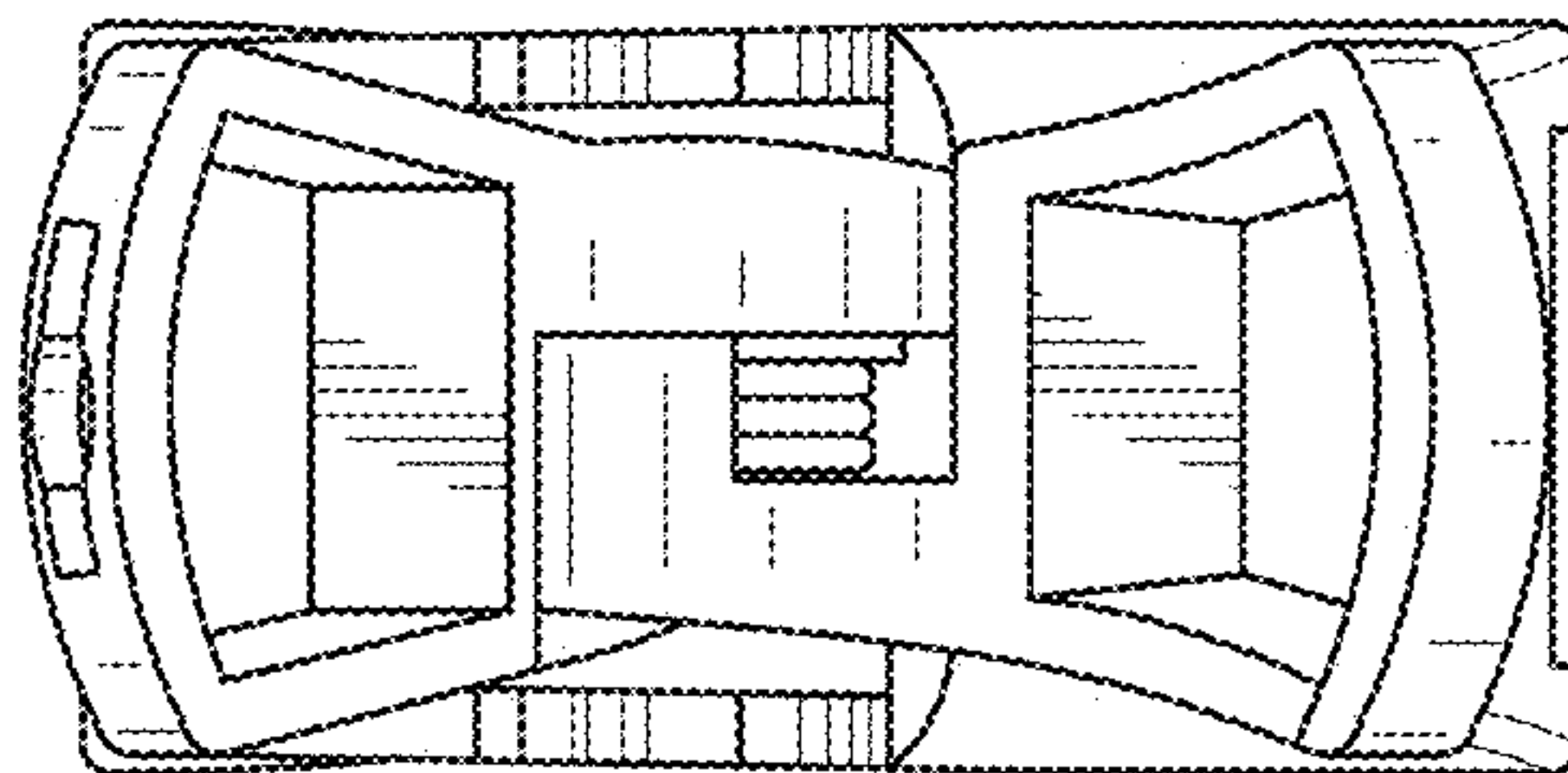


FIG. 7