



US00D873123S

(12) **United States Design Patent**
Iwahara et al.

(10) **Patent No.:** **US D873,123 S**
(45) **Date of Patent:** **** Jan. 21, 2020**

(54) **CLIP**

FOREIGN PATENT DOCUMENTS

(71) Applicant: **DAIWA KASEI KOGYO**
KABUSHIKI KAISHA, Okazaki-ken,
Aichi-ken (JP)

JP D1518732 S 3/2015
JP D1520461 S 3/2015

(Continued)

(72) Inventors: **Toshio Iwahara**, Okazaki (JP); **Makoto Kato**, Okazaki (JP); **Katsuya Hirakawa**, Okazaki (JP)

Primary Examiner — Sandra S Snapp
Assistant Examiner — Ieisha N Price

(74) *Attorney, Agent, or Firm* — Christensen, Fonder,
Dardi & Herbert PLLC

(73) Assignee: **DAIWA KASEI KOGYO**
KABUSHIKI KAISHA, Aichi-ken (JP)

(57) **CLAIM**

(**) Term: **15 Years**

The ornamental design for a clip, as shown and described.

(21) Appl. No.: **29/589,804**

DESCRIPTION

(22) Filed: **Jan. 4, 2017**

(30) **Foreign Application Priority Data**

Jul. 8, 2016 (JP) 2016-14544

(51) **LOC (12) Cl.** **08-08**

(52) **U.S. Cl.**
USPC **D8/383**

(58) **Field of Classification Search**
USPC D8/44, 349, 354, 356, 382, 383, 394
CPC B65D 63/00; B65D 63/1072; B65D
63/1063; B65D 63/1081; B65D 63/1045;
B65D 2563/103; F16B 2/26; F16L
3/2332; F16L 3/2334; F16L 3/2338;
Y10T 24/1498;

(Continued)

(56) **References Cited**

U.S. PATENT DOCUMENTS

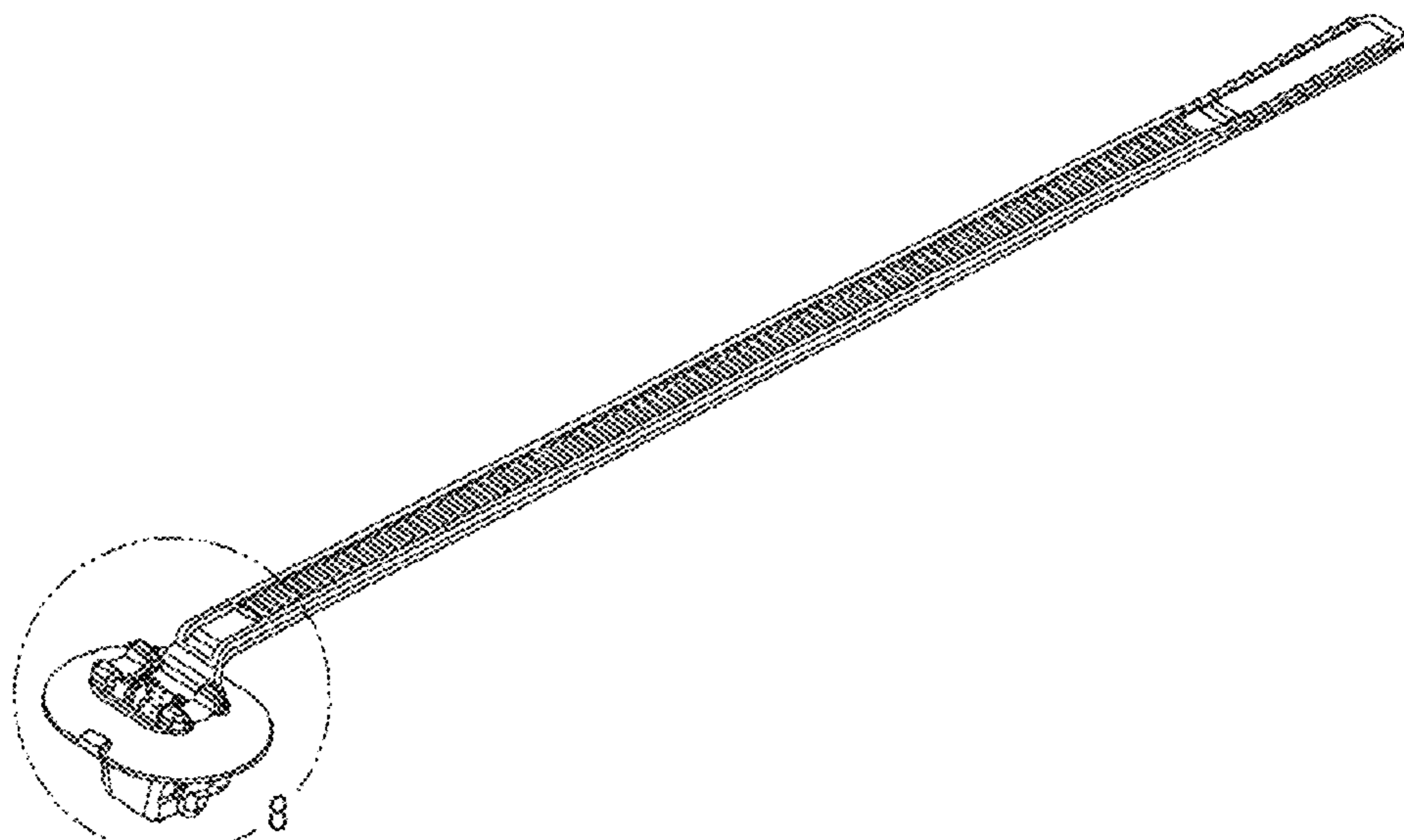
6,203,240 B1 * 3/2001 Hironaka F16B 21/06
24/297
D761,642 S * 7/2016 Nagayasu D8/383

(Continued)

FIG. 1 is a perspective view viewed from the top of the clip;
FIG. 2 is a perspective view viewed from the bottom thereof;
FIG. 3 is a front elevation view thereof;
FIG. 4 is a left side elevation view thereof;
FIG. 5 is a right side elevation view thereof;
FIG. 6 is a top plan view thereof;
FIG. 7 is a bottom plan view thereof;
FIG. 8 is an enlarged view taken from indication circle 8 of
FIG. 1 thereof;
FIG. 9 is an enlarged view taken from indication circle 9 of
FIG. 2 thereof;
FIG. 10 is an enlarged view taken from indication circle 10
of FIG. 3 thereof;
FIG. 11 is an enlarged view taken from indication circle 11
of FIG. 6 thereof;
FIG. 12 is an enlarged view taken from indication circle 12
of FIG. 7 thereof;
FIG. 13 is an enlarged view of the left side elevation view
thereof; and,
FIG. 14 is an enlarged view of the right side elevation view
thereof.

The broken lines shown in the drawings represent unclaimed
portions of the clip, and form no part of the claimed design.

1 Claim, 4 Drawing Sheets



(58) **Field of Classification Search**

CPC Y10T 24/14; Y10T 24/141; Y10T 24/15;
Y10T 24/153

See application file for complete search history.

(56) **References Cited**

U.S. PATENT DOCUMENTS

D778,148 S * 2/2017 Iwahara D8/383
D778,710 S * 2/2017 Nagayasu D8/356
D779,924 S * 2/2017 Nagayasu D8/356
9,914,412 B2 * 3/2018 Nakagawa B65D 63/1072
2007/0284486 A1 * 12/2007 Smutny H02G 3/30
248/74.3
2011/0239412 A1 * 10/2011 Sano F16B 21/086
24/16 R
2012/0304422 A1 * 12/2012 Asai B65D 63/1063
24/16 R
2017/0057715 A1 * 3/2017 Kato B65D 63/1072
2017/0138379 A1 * 5/2017 Iwahara B60R 16/0215

FOREIGN PATENT DOCUMENTS

JP D1520462 S 3/2015
JP D1520463 S 3/2015
JP D1531343 S 8/2015
JP 2016-067082 A 4/2016
JP 2016-077047 A 5/2016
JP 2016-077048 A 5/2016

* cited by examiner

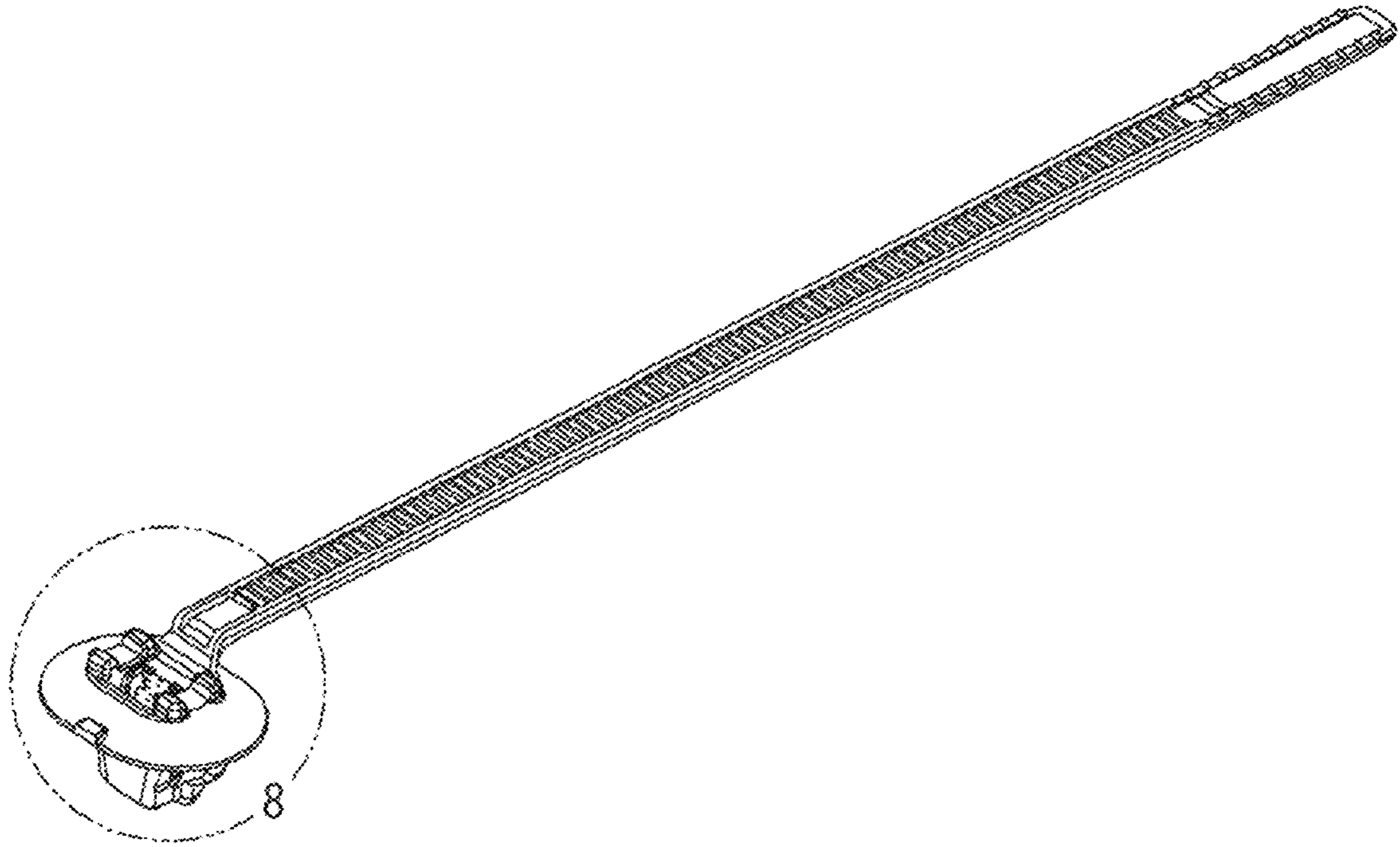


FIG. 1

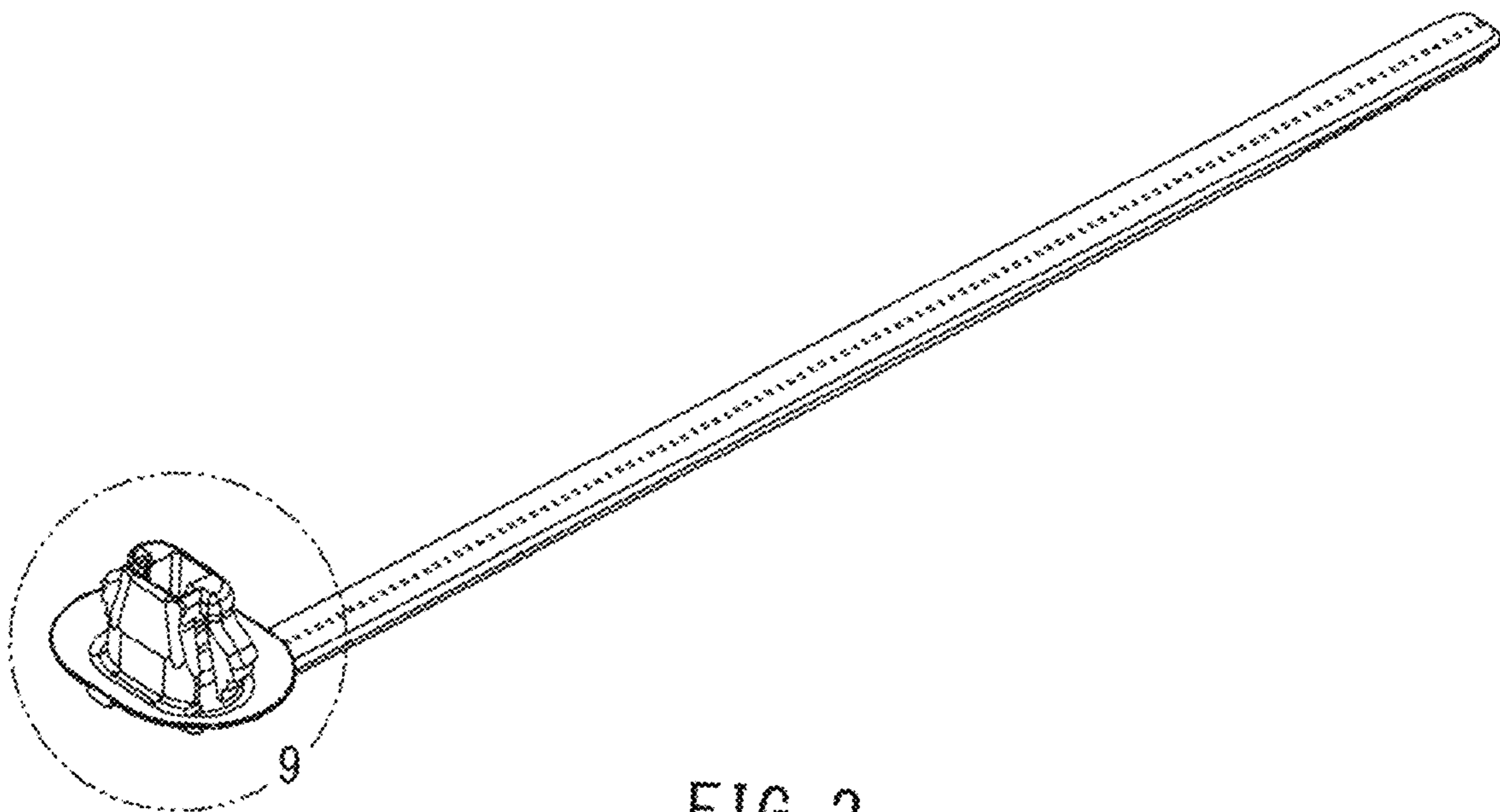


FIG. 2

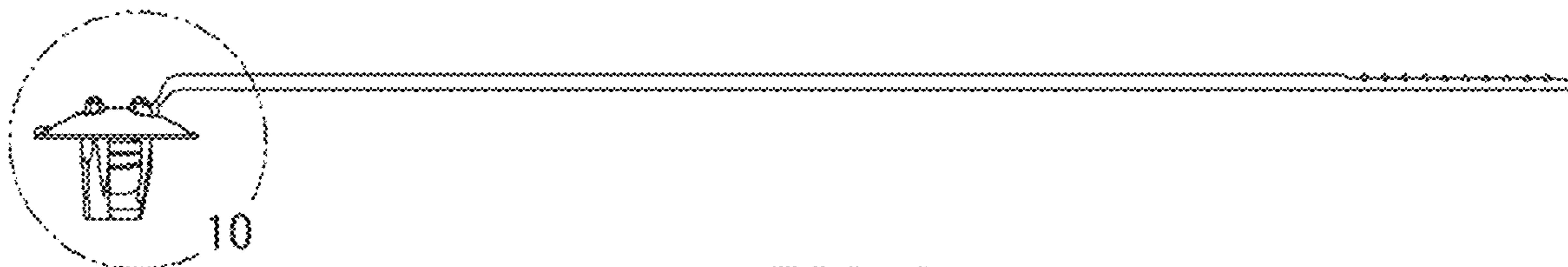


FIG. 3

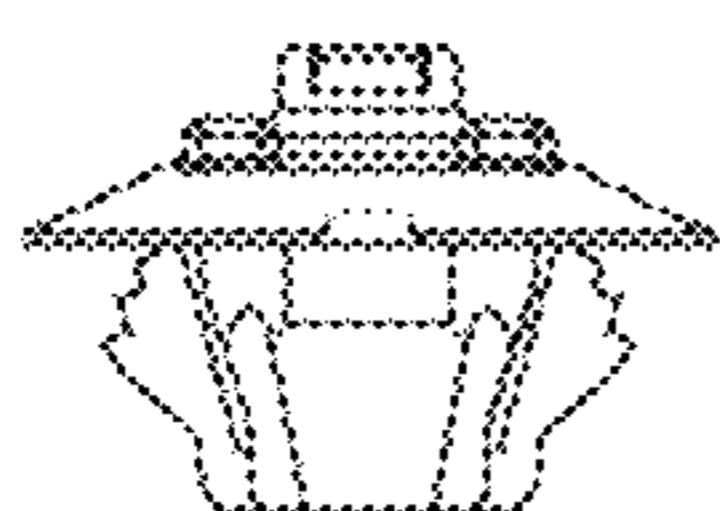


FIG. 4

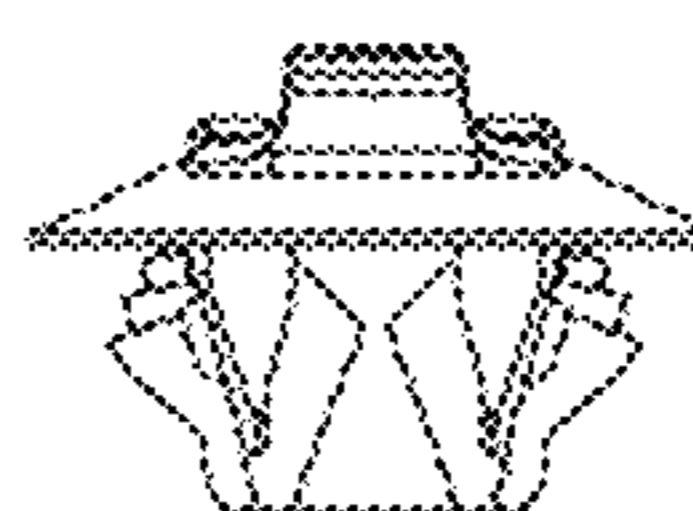


FIG. 5

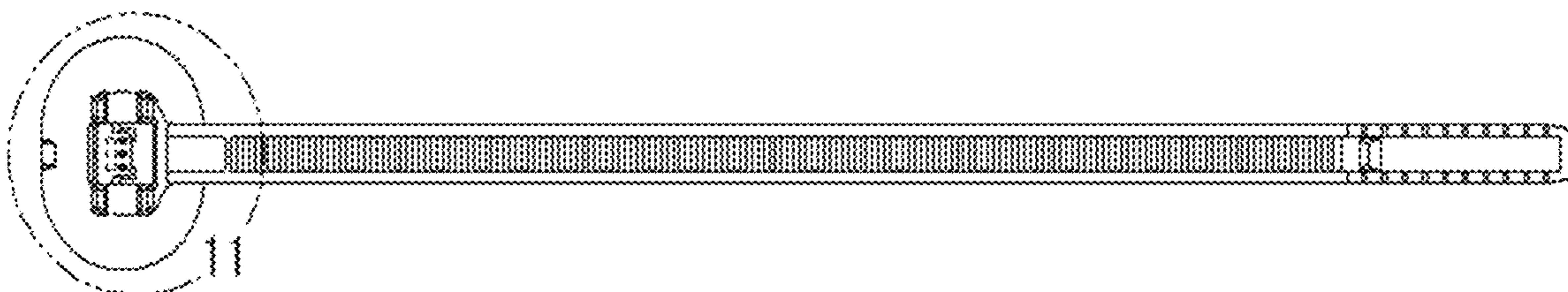


FIG. 6

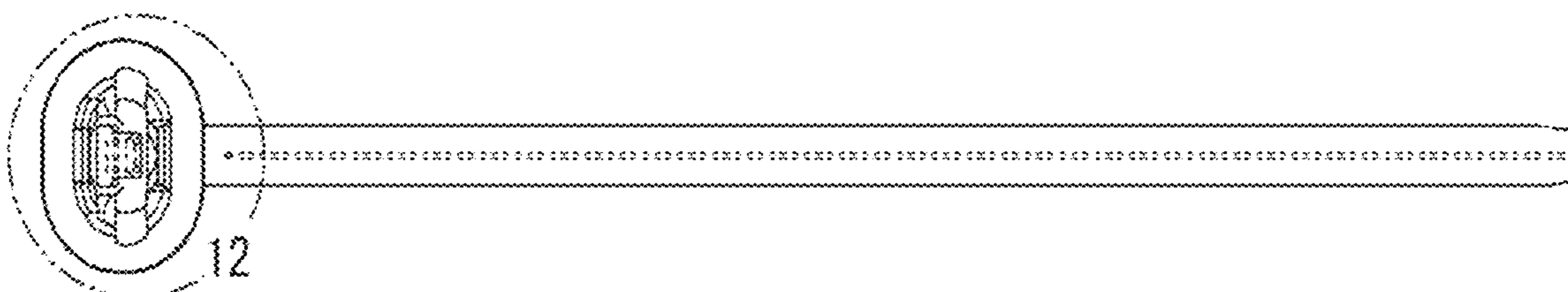


FIG. 7

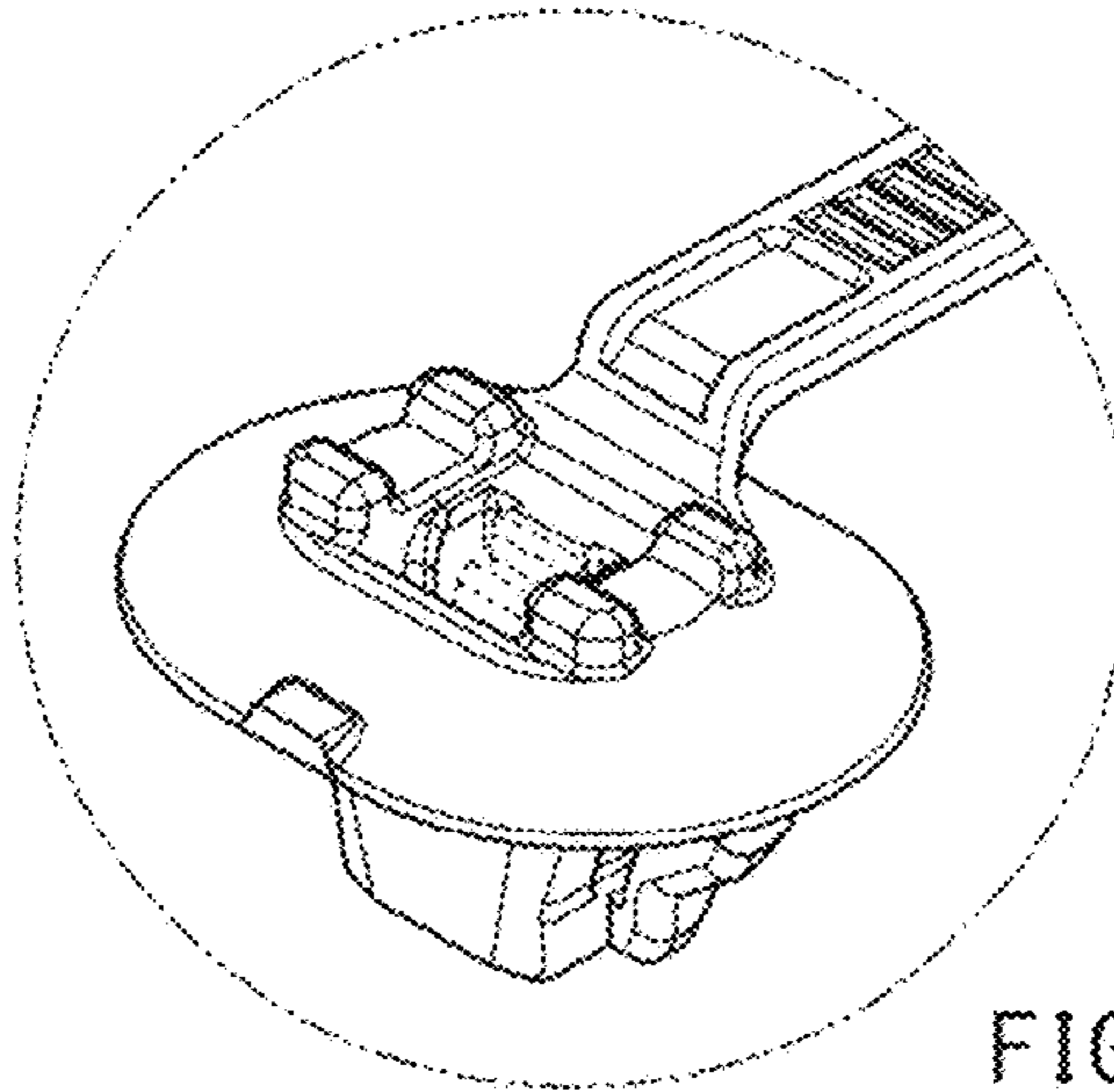


FIG. 8

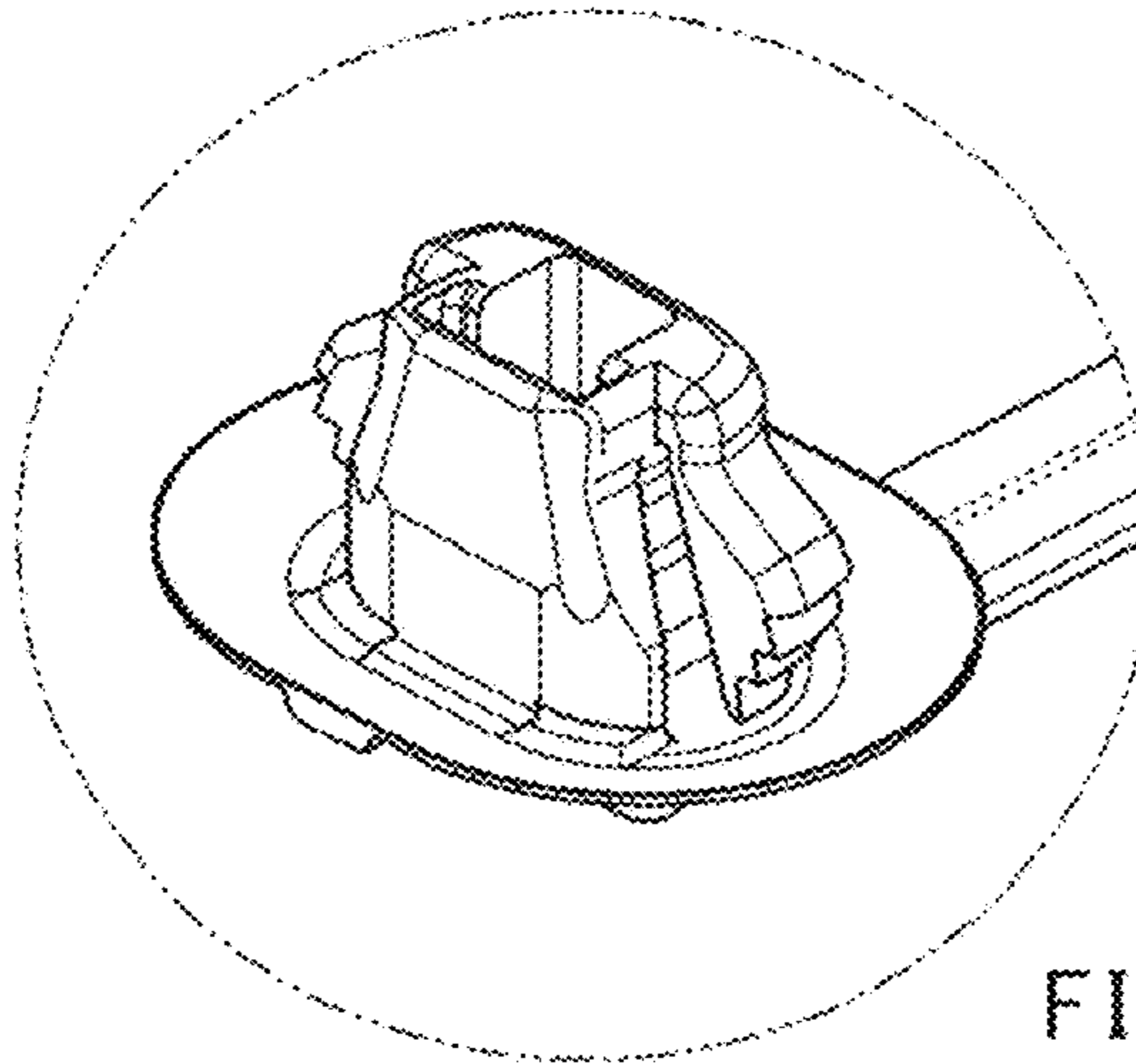


FIG. 9

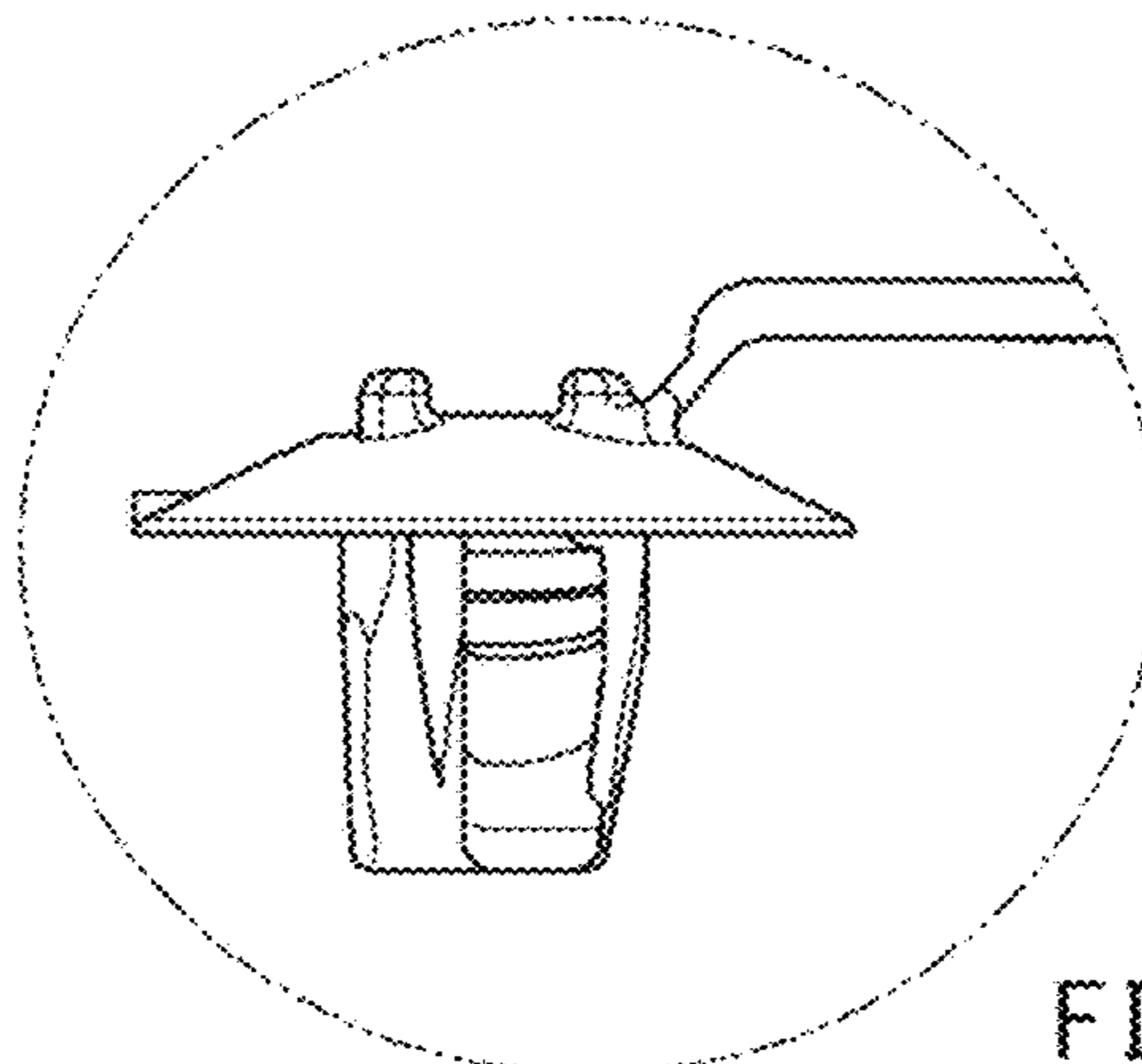


FIG. 10

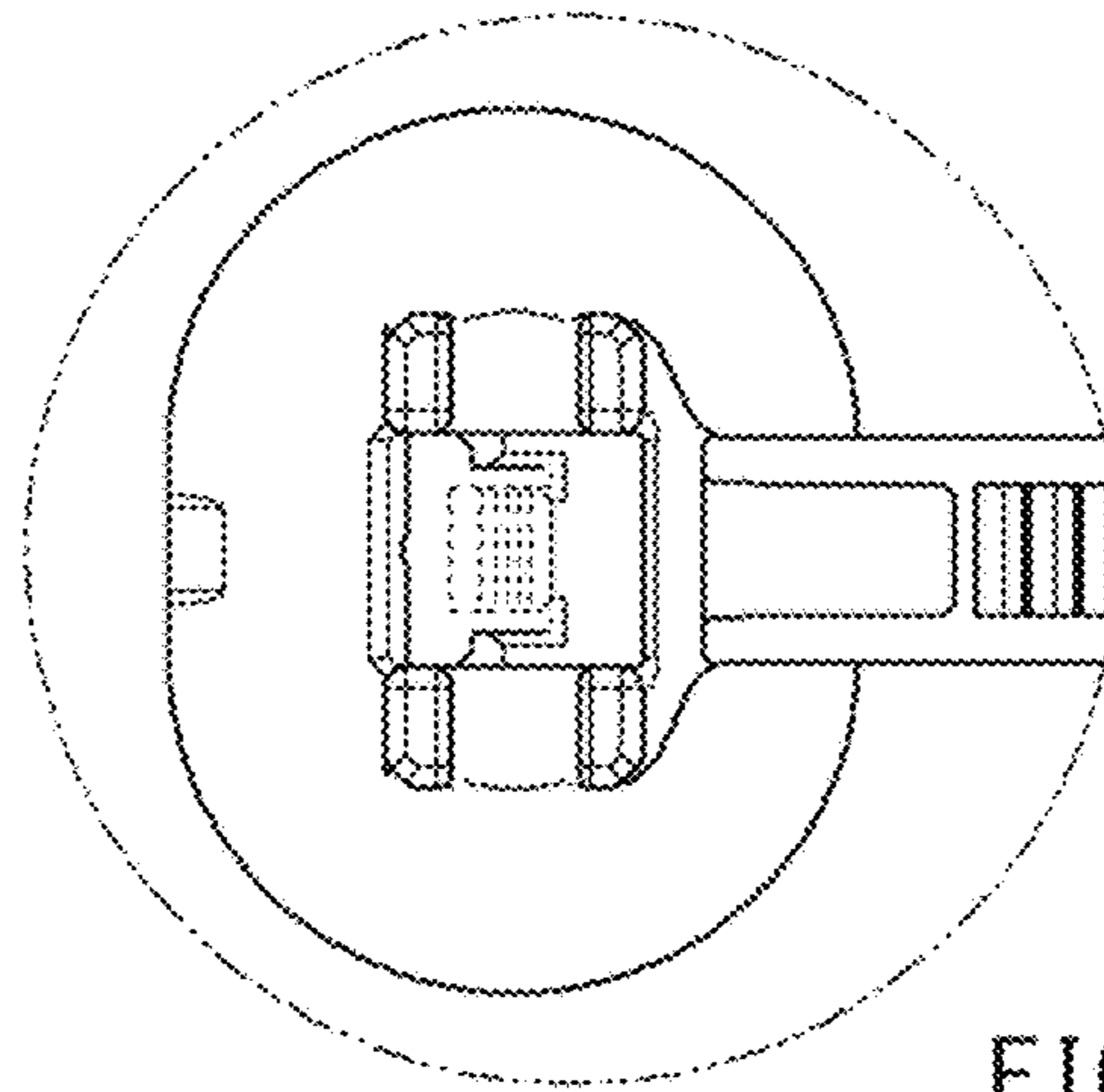


FIG. 11

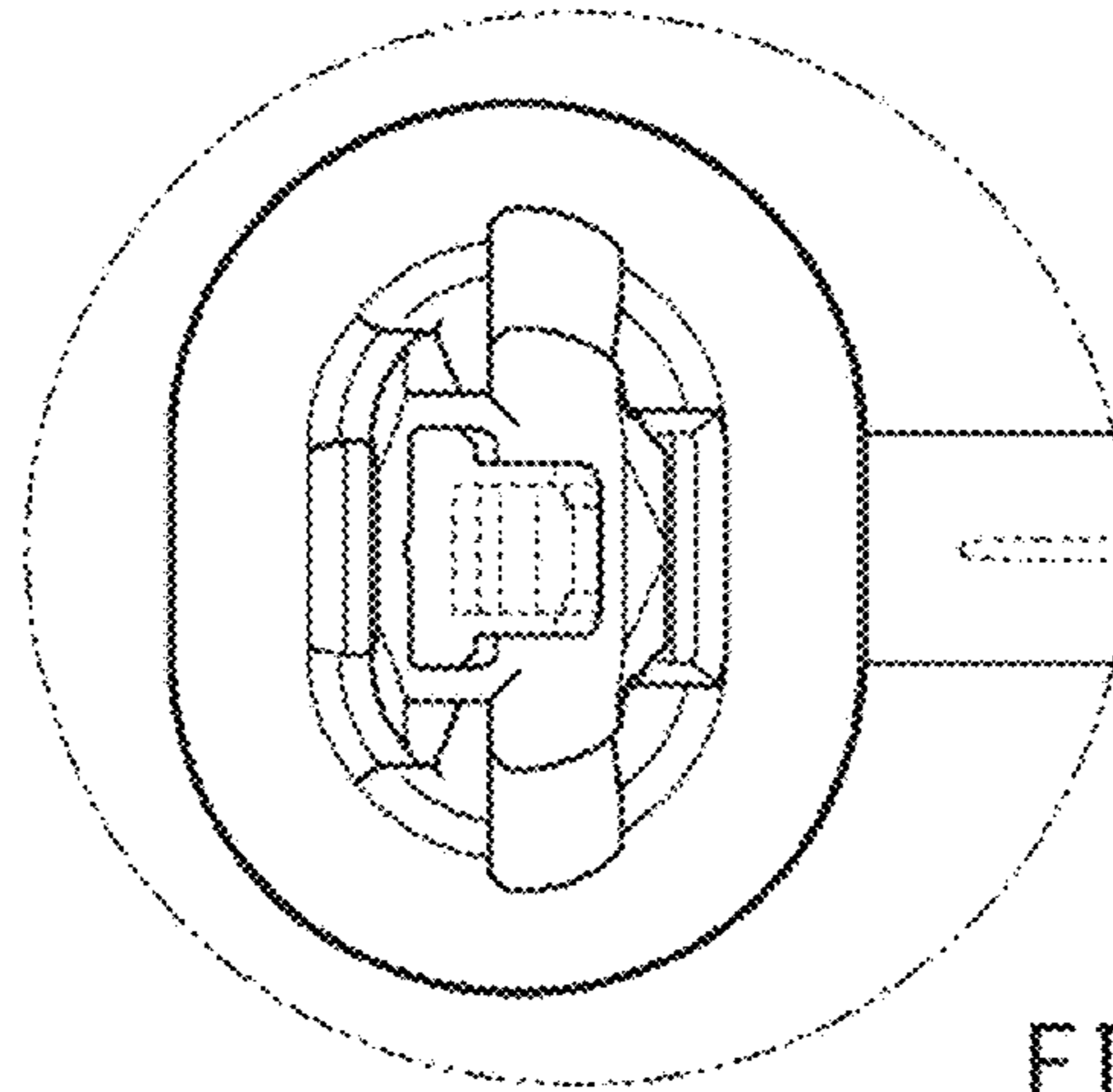


FIG. 12

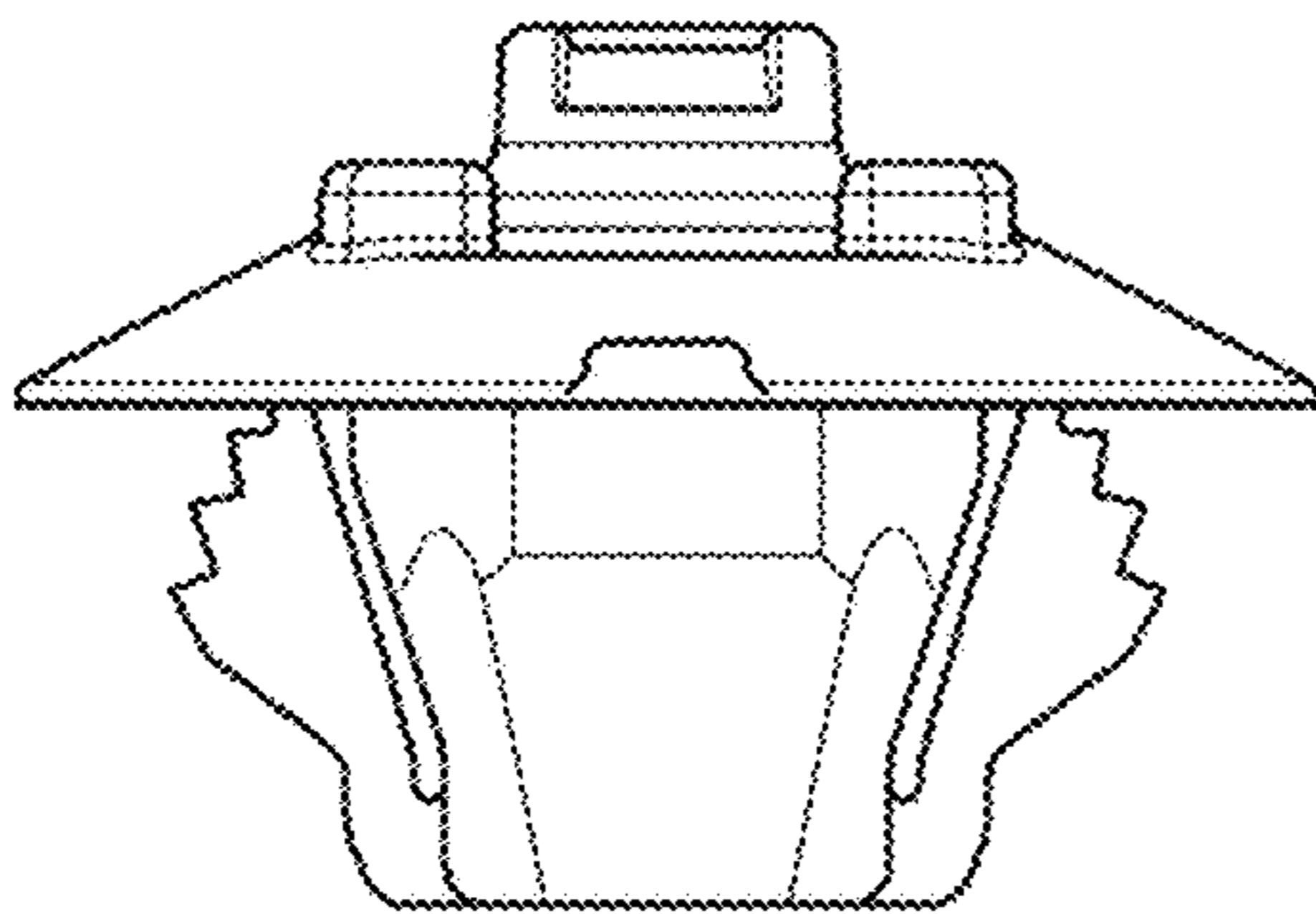


FIG. 13

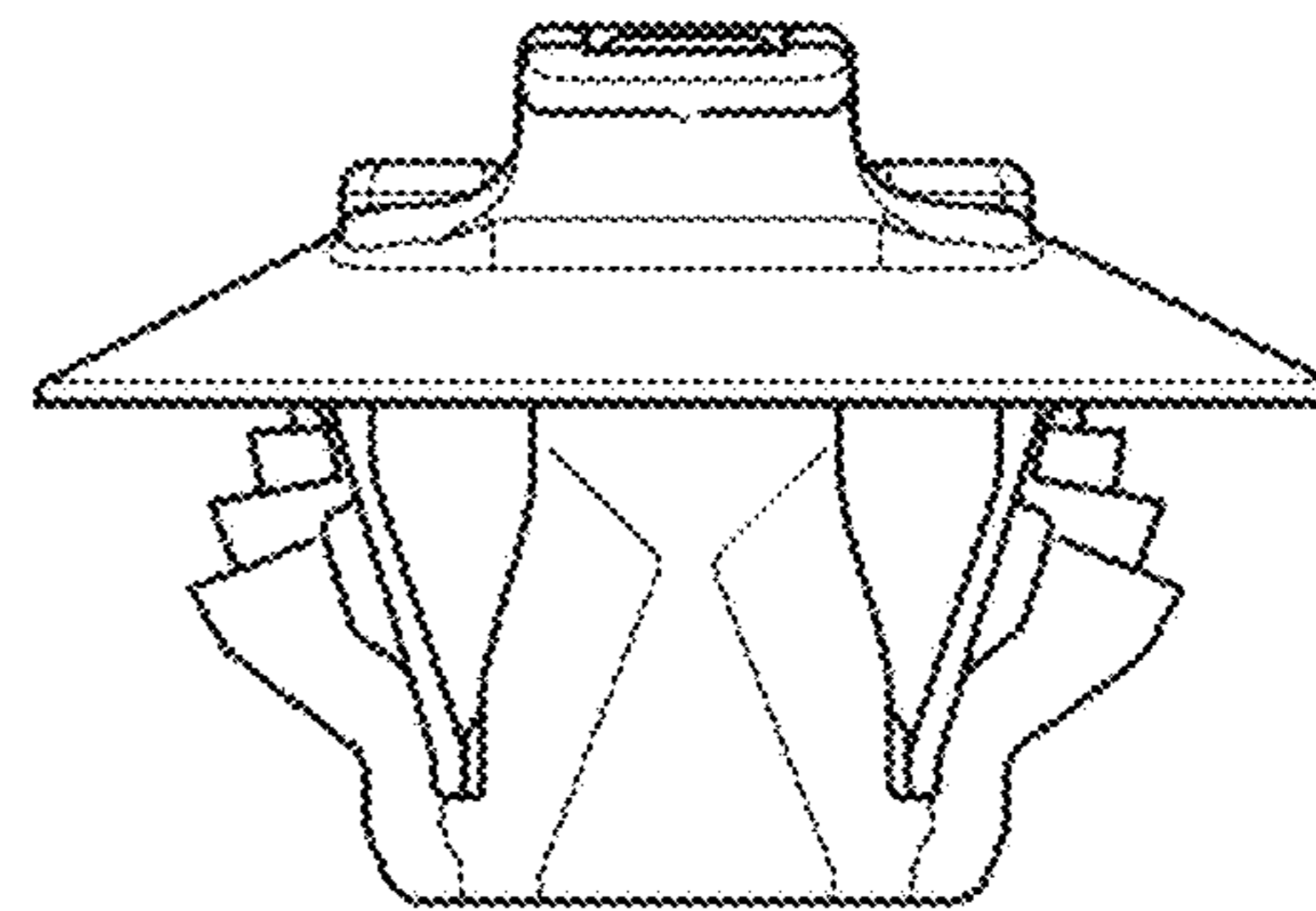


FIG. 14