



US00D873122S

(12) **United States Design Patent** (10) **Patent No.:** **US D873,122 S**
Cho (45) **Date of Patent:** **** Jan. 21, 2020**

(54) **SHELF JOINT**
(71) Applicant: **Won Yong Cho**, Gimpo-si (KR)
(72) Inventor: **Won Yong Cho**, Gimpo-si (KR)
(**) Term: **15 Years**
(21) Appl. No.: **29/664,197**
(22) Filed: **Sep. 22, 2018**
(51) **LOC (12) Cl.** **08-08**
(52) **U.S. Cl.**
USPC **D8/382**
(58) **Field of Classification Search**
USPC D8/349, 373, 354, 380, 381, 382, 394,
D8/395; D6/702, 707.17, 709; D21/484,
D21/658
CPC F16B 12/00; F16B 12/10; F16B 12/20;
F16B 12/40; F16B 12/42; F16B 12/44;
F16B 12/46; F16B 12/48; F16B 12/50;
F16B 12/52; A47B 47/00; A47B 47/0025;
A47B 47/0033; A47B 47/0066; A47B
47/0075; A47B 47/0091; A47B 47/0008;
A47B 47/0016; A47B 47/045; A47B
47/047; A47B 47/042; A47B 87/005;
A47B 96/06; A63H 33/101
See application file for complete search history.

(56) **References Cited**
U.S. PATENT DOCUMENTS
3,362,739 A * 1/1968 Staeger E04B 1/34384
52/285.1
3,528,559 A * 9/1970 Miller E04B 2/7433
211/195
3,998,002 A * 12/1976 Nathanson A63H 33/105
446/115
4,351,621 A * 9/1982 Liou A47B 13/02
248/165
5,121,526 A * 6/1992 Burkard A63H 33/10
24/336

5,379,906 A * 1/1995 Levin A47B 47/0025
211/12
5,487,690 A * 1/1996 Stoffle A63H 33/10
16/225
D550,484 S * 9/2007 Bonatti D8/349
D571,644 S * 6/2008 Ilang D8/382
7,591,053 B2 * 9/2009 Bosisio E04H 13/006
211/85.16
8,661,765 B2 * 3/2014 Schaefer A47B 96/14
52/655.1
10,398,999 B2 * 9/2019 Cochella
2006/0207957 A1 * 9/2006 Chen A47B 47/0025
211/188
2012/0294675 A1 * 11/2012 Chang A47B 47/0016
403/354

(Continued)

Primary Examiner — Sandra S Snapp
Assistant Examiner — Ieisha N Price
(74) *Attorney, Agent, or Firm* — KORUS Patent, LLC;
Seong Il Jeong

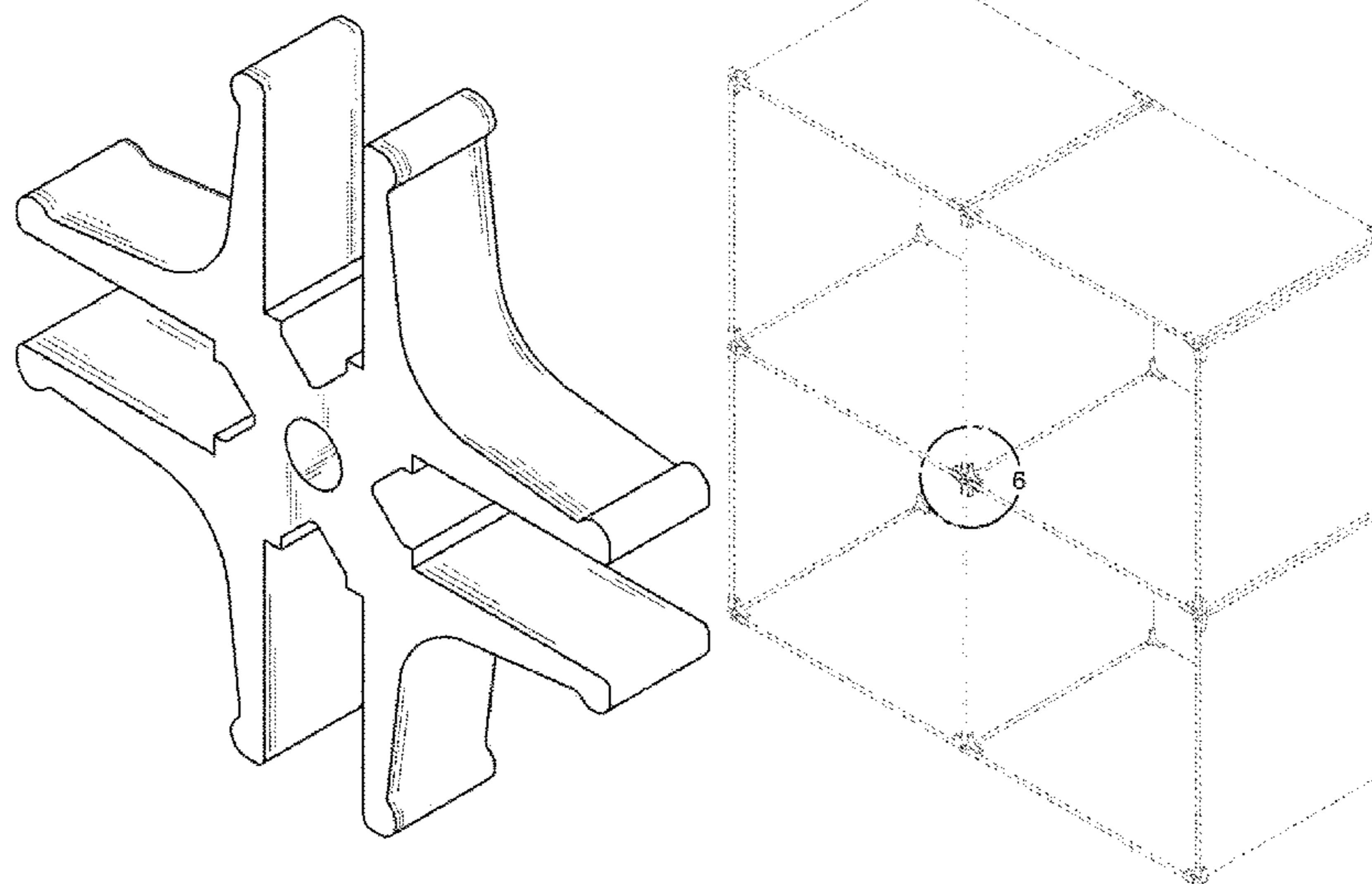
(57) **CLAIM**

The ornamental design for a shelf joint, as shown and described.

DESCRIPTION

FIG. 1 is a perspective view of a shelf joint showing my new design;
FIG. 2 is a front elevation view thereof, the rear elevation view being the same image;
FIG. 3 is a left side view thereof, the right side view being the same image;
FIG. 4 is a top plan view thereof, the bottom plan view being the same image;
FIG. 5 is an environmental perspective view thereof; and,
FIG. 6 is an enlarged view of the shelf joint taken from indication circle 6 of FIG. 5.
The broken line showing of the shelf in FIGS. 5 and 6 illustrates the environment of the claimed design and forms no part thereof.

1 Claim, 6 Drawing Sheets



(56)

References Cited

U.S. PATENT DOCUMENTS

2015/0240847 A1* 8/2015 Nosalik A63H 33/101
24/455
2016/0066688 A1* 3/2016 Yu A47B 47/0033
312/263
2018/0021689 A1* 1/2018 Cochella A63H 33/101
446/124

* cited by examiner

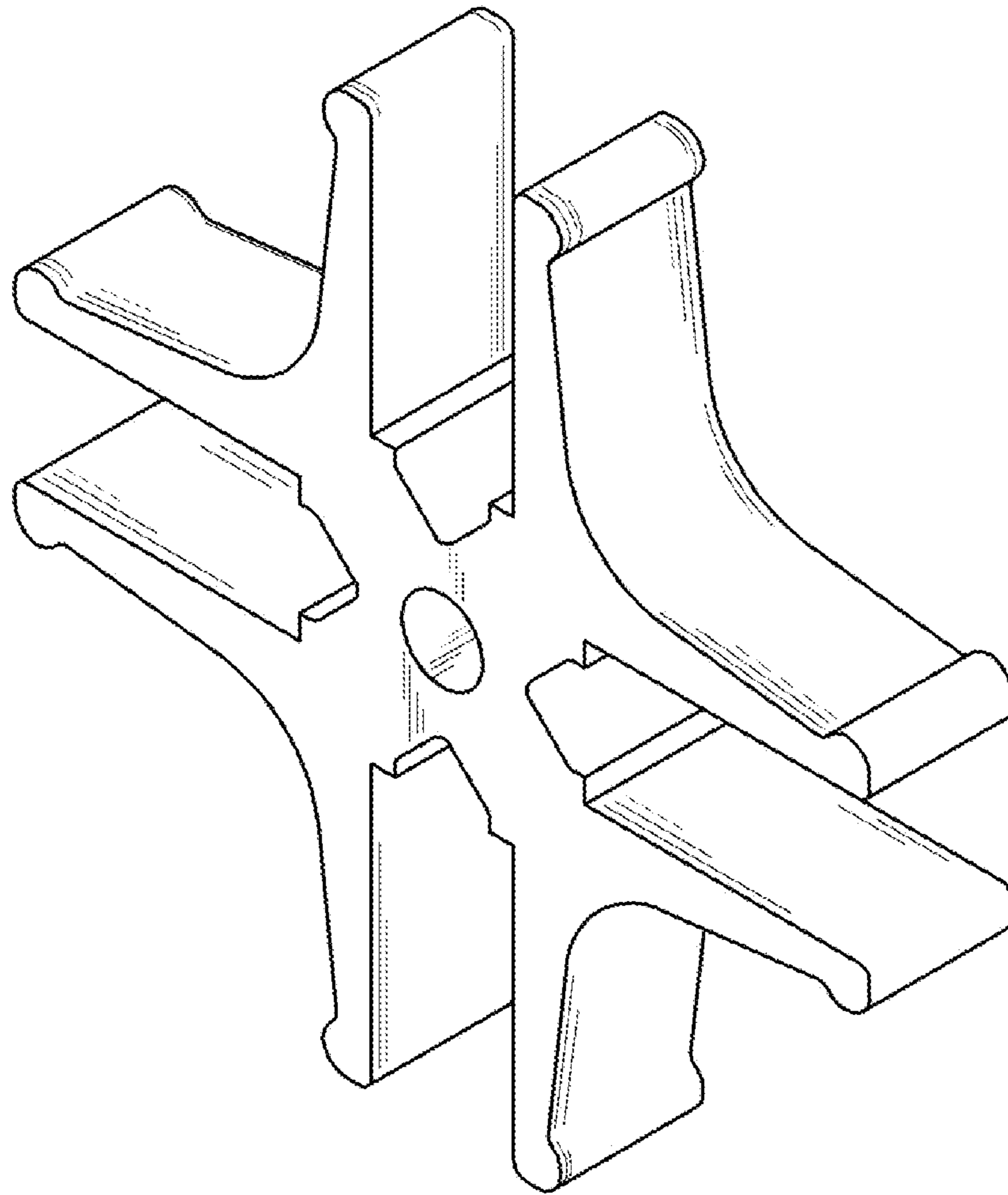


FIG. 1

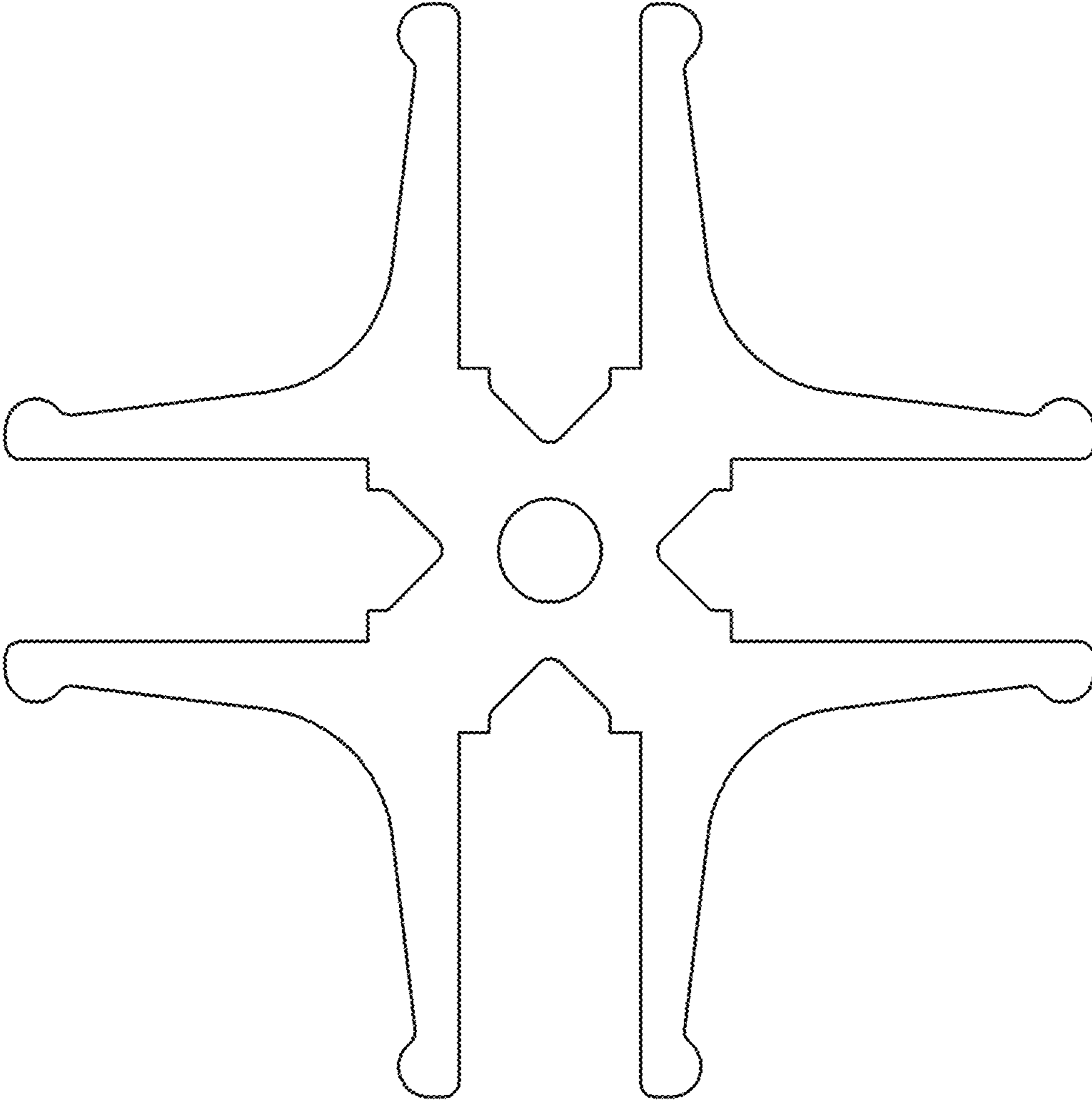


FIG. 2

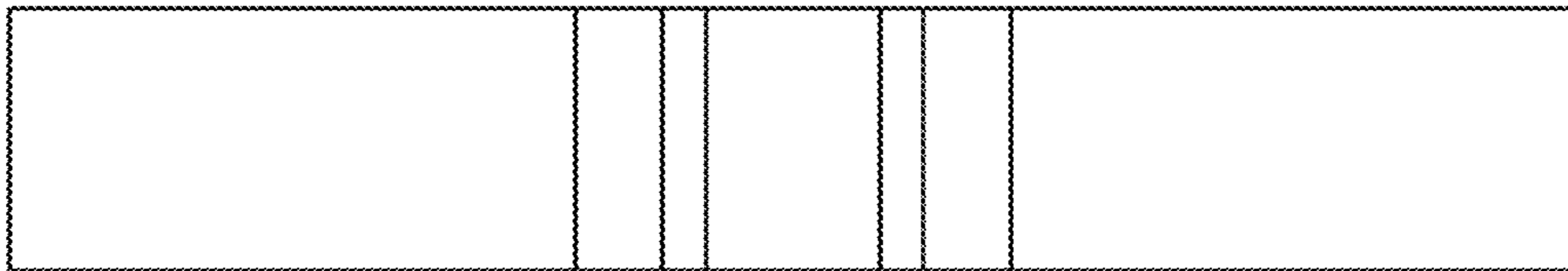


FIG. 3

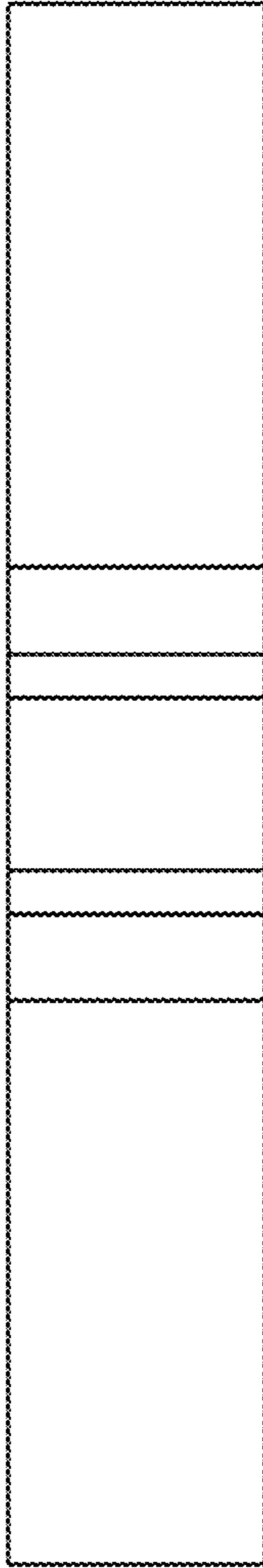


FIG. 4

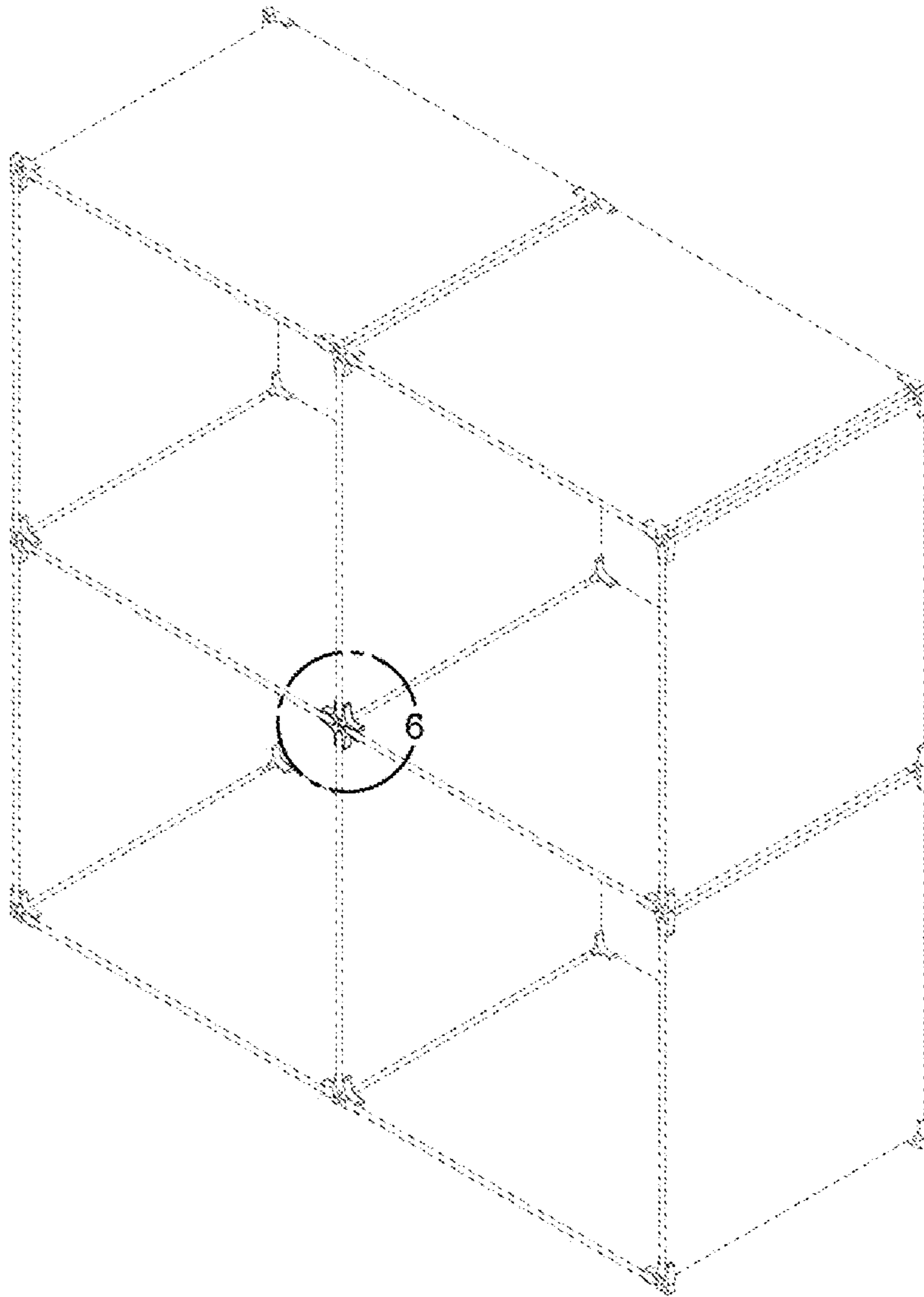


FIG. 5

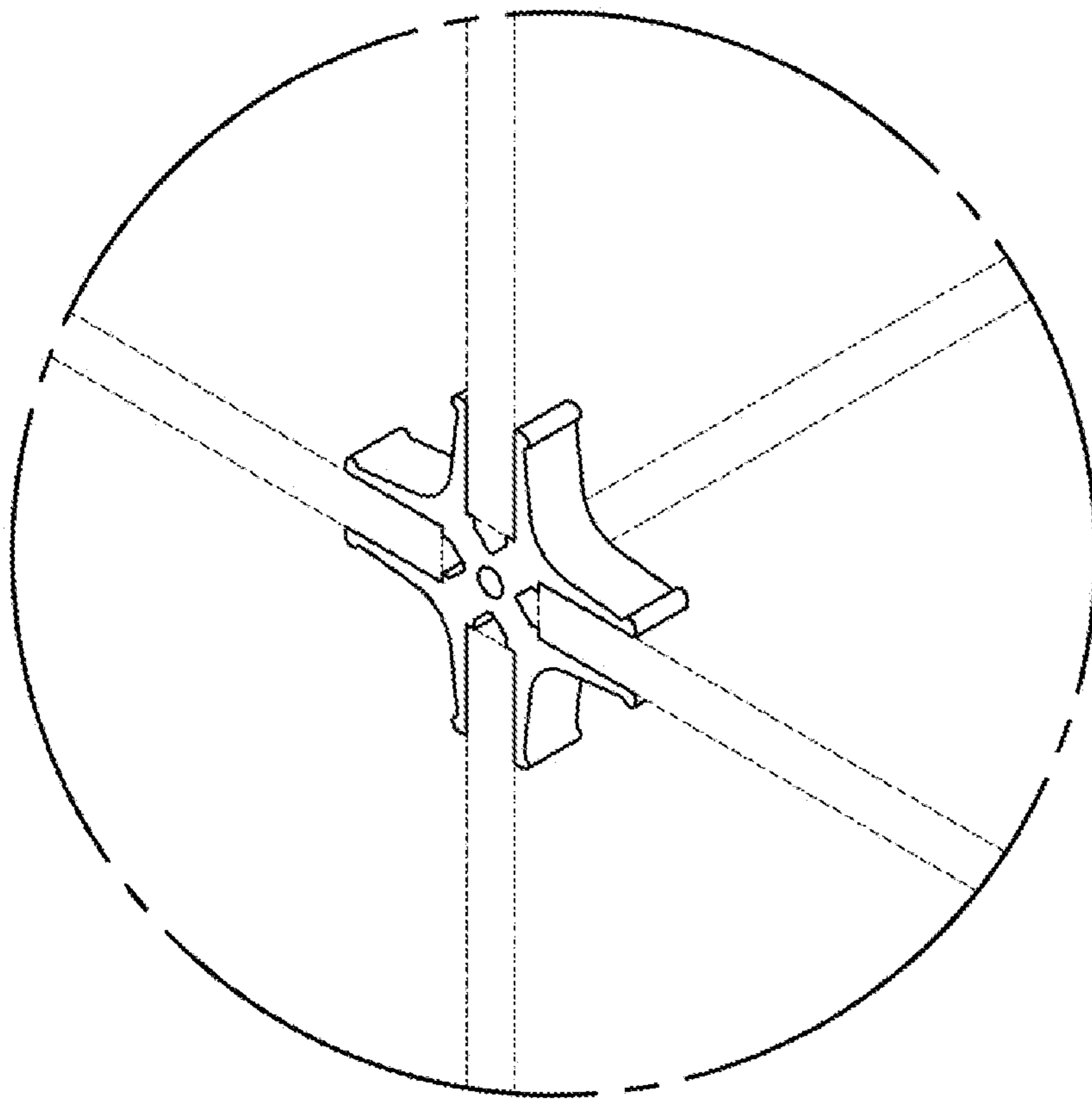


FIG. 6