



US00D873121S

(12) **United States Design Patent**
Mieldon et al.

(10) **Patent No.:** **US D873,121 S**
(45) **Date of Patent:** **** Jan. 21, 2020**

(54) **PAIR OF WASHCLOTH HANGERS**

(71) Applicants: **Jeffrey Alan Mieldon**, Tampa, FL
(US); **Lela Banks Mieldon**, Tampa, FL
(US)

(72) Inventors: **Jeffrey Alan Mieldon**, Tampa, FL
(US); **Lela Banks Mieldon**, Tampa, FL
(US)

(**) Term: **15 Years**

(21) Appl. No.: **29/661,931**

(22) Filed: **Aug. 31, 2018**

(51) **LOC (12) Cl.** **08-05**

(52) **U.S. Cl.**
USPC **D8/367**

(58) **Field of Classification Search**
USPC D6/524, 546–550, 512–518, 519–523,
D6/525; D8/300, 315–318, 349, 354,
D8/363, 373, 380, 367; D25/45;
108/28–29; 211/13.1, 16, 85.5, 86.01,
211/87.01, 88.04, 100, 105.1, 105.2, 106,
211/113, 123, 181.1, 182–183; 242/570,
242/590, 595–598; 248/49, 175, 176.1,
248/200, 201, 205.1, 206.2, 205.5, 205.8,
248/251, 302, 309.1, 315
CPC A47K 10/3836; A47K 10/38; A47K 10/14;
A47K 10/04; A47K 10/12; A41H 15/00
See application file for complete search history.

(56) **References Cited**

U.S. PATENT DOCUMENTS

D386,064 S * 11/1997 Barry D8/349
D401,499 S * 11/1998 Barry D8/367

D408,725 S * 4/1999 Adams D8/373
6,308,923 B1 10/2001 Howard
6,402,104 B1 6/2002 Smith
6,932,306 B2 8/2005 Zou et al.
D603,246 S * 11/2009 Snell D8/367
D608,624 S * 1/2010 Adams D8/367
8,292,253 B2 10/2012 Zhadanov
D801,723 S * 11/2017 Lundqvist D6/546
2015/0330438 A1 * 11/2015 Shi A47K 10/14
248/205.8
2016/0215813 A1 * 7/2016 Huang F16B 47/006
2017/0023051 A1 1/2017 Kobayashi

* cited by examiner

Primary Examiner — Wan Laymon

Assistant Examiner — Mark Booker

(74) *Attorney, Agent, or Firm* — Global Intellectual
Property Agency, LLC; Daniel Boudwin

(57) **CLAIM**

The ornamental design for a pair of washcloth hangers, as shown and described.

DESCRIPTION

FIG. 1 depicts a front left perspective view of a pair of washcloth hangers.

FIG. 2 depicts a front view of the pair of washcloth hangers.

FIG. 3 depicts a rear view of the pair of washcloth hangers.

FIG. 4 depicts a left view of the pair of washcloth hangers.

FIG. 5 depicts a right view of the pair of washcloth hangers.

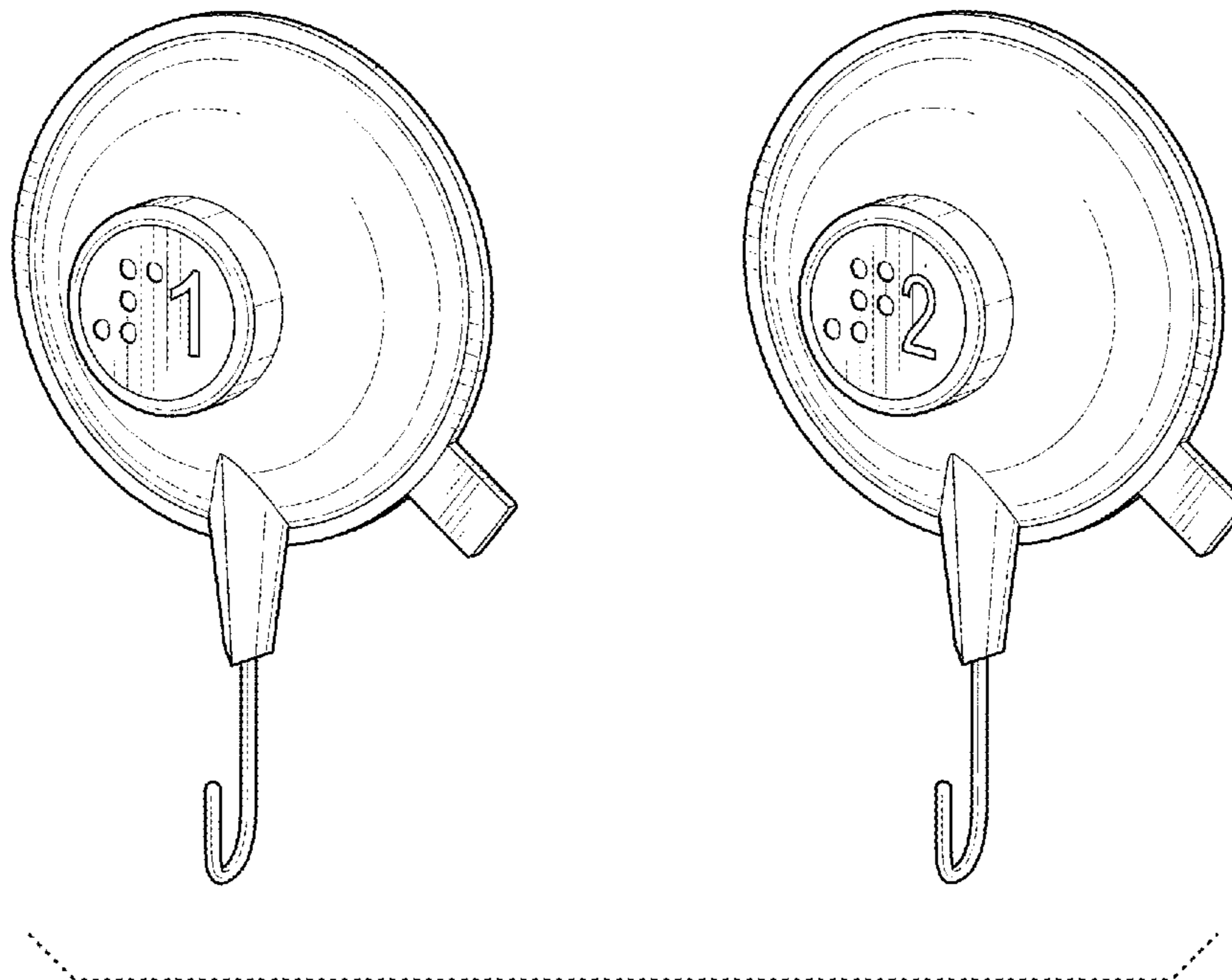
FIG. 6 depicts a top view of the pair of washcloth hangers;

and,

FIG. 7 depicts a bottom view of the pair of washcloth hangers.

The shade lines in the Figures show contour and not surface ornamentation.

1 Claim, 5 Drawing Sheets



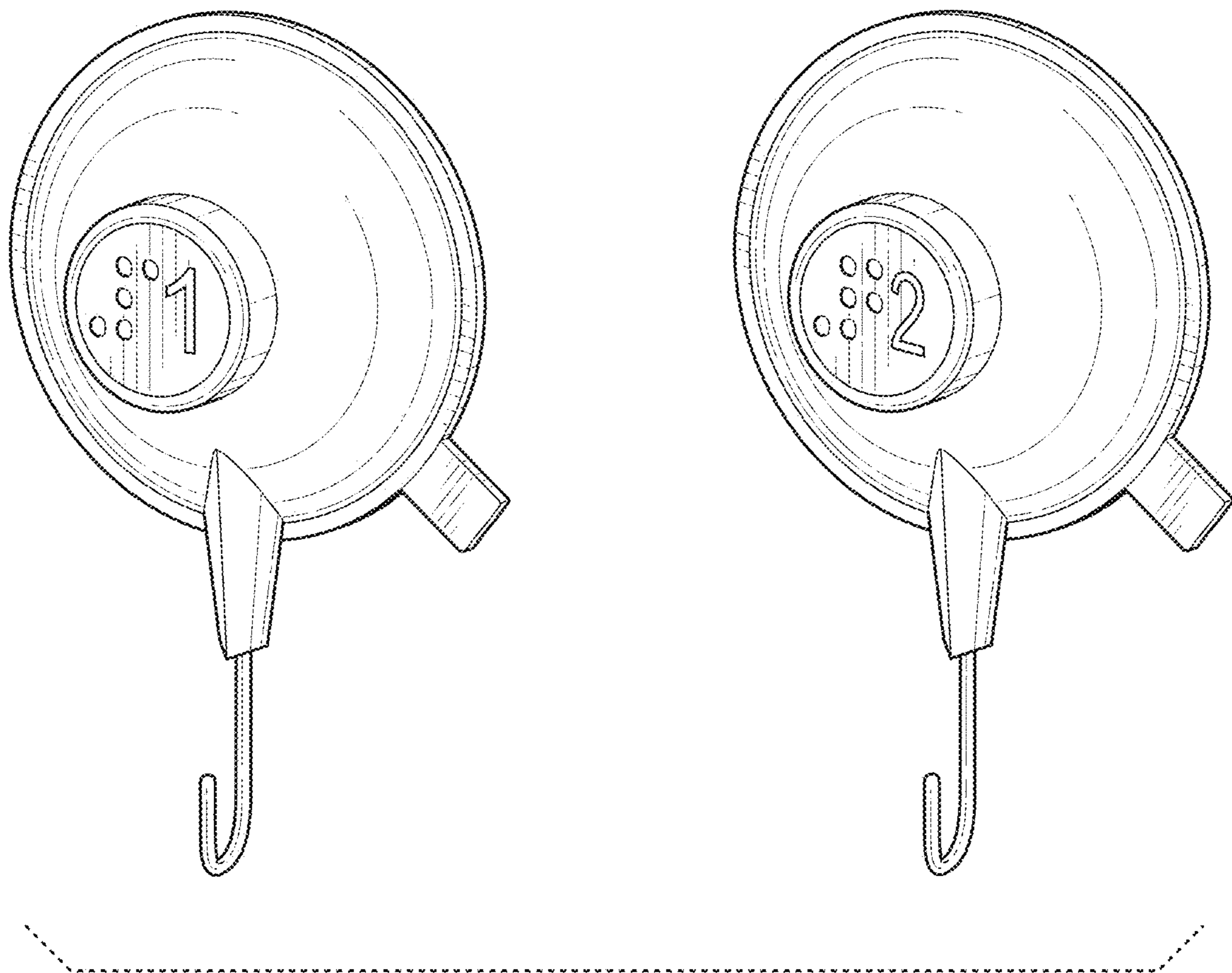


FIG. 1

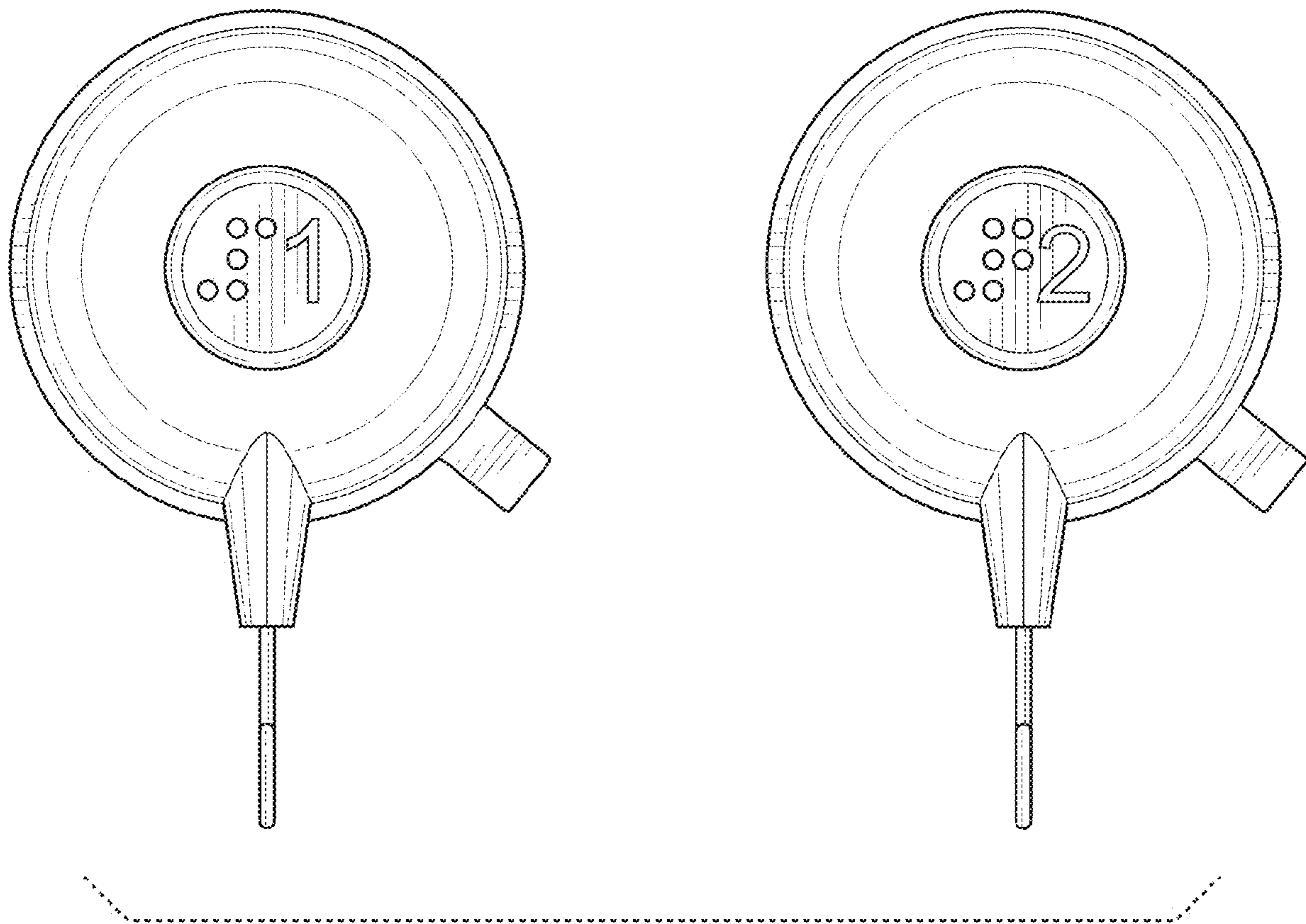


FIG. 2

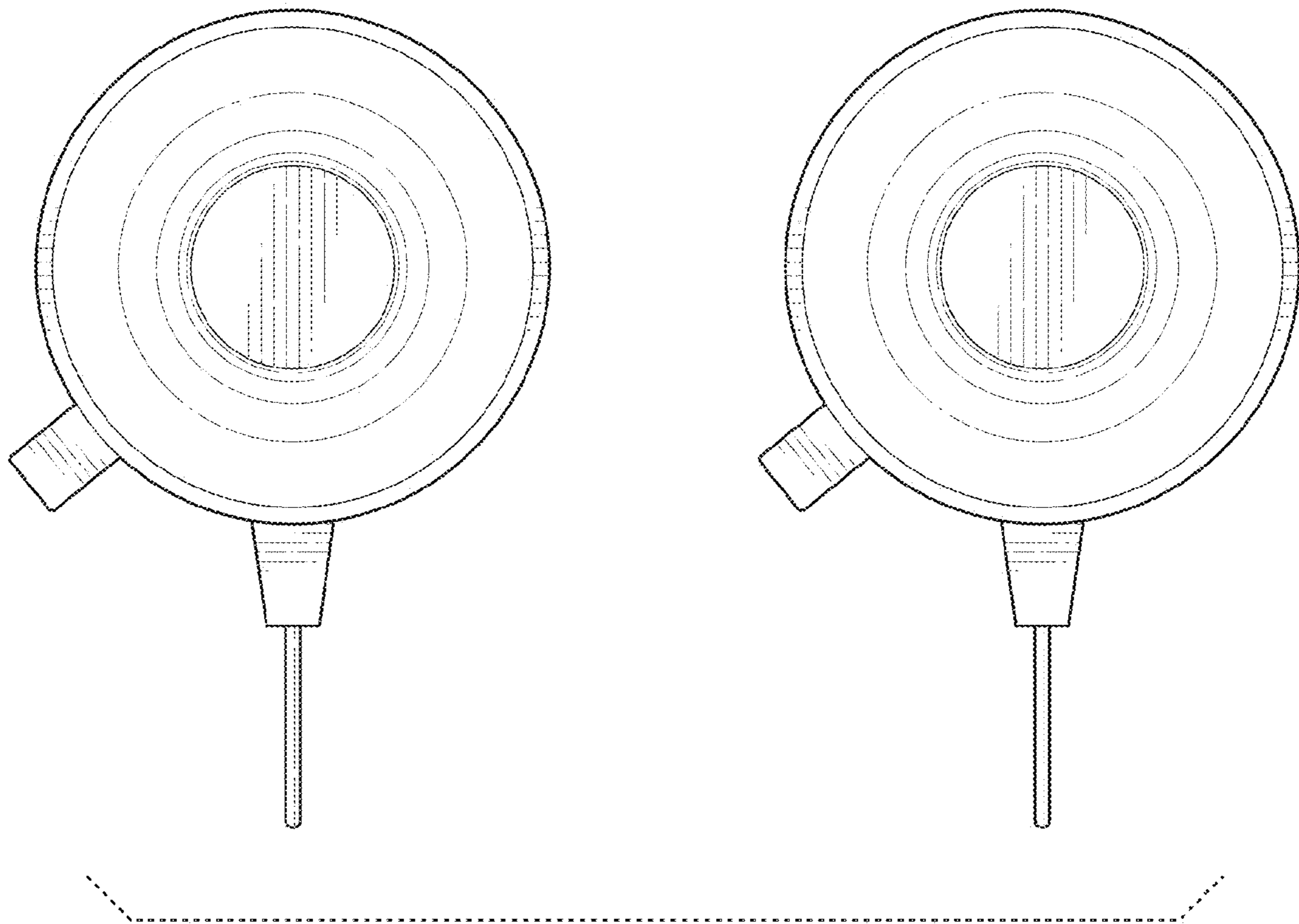


FIG. 3

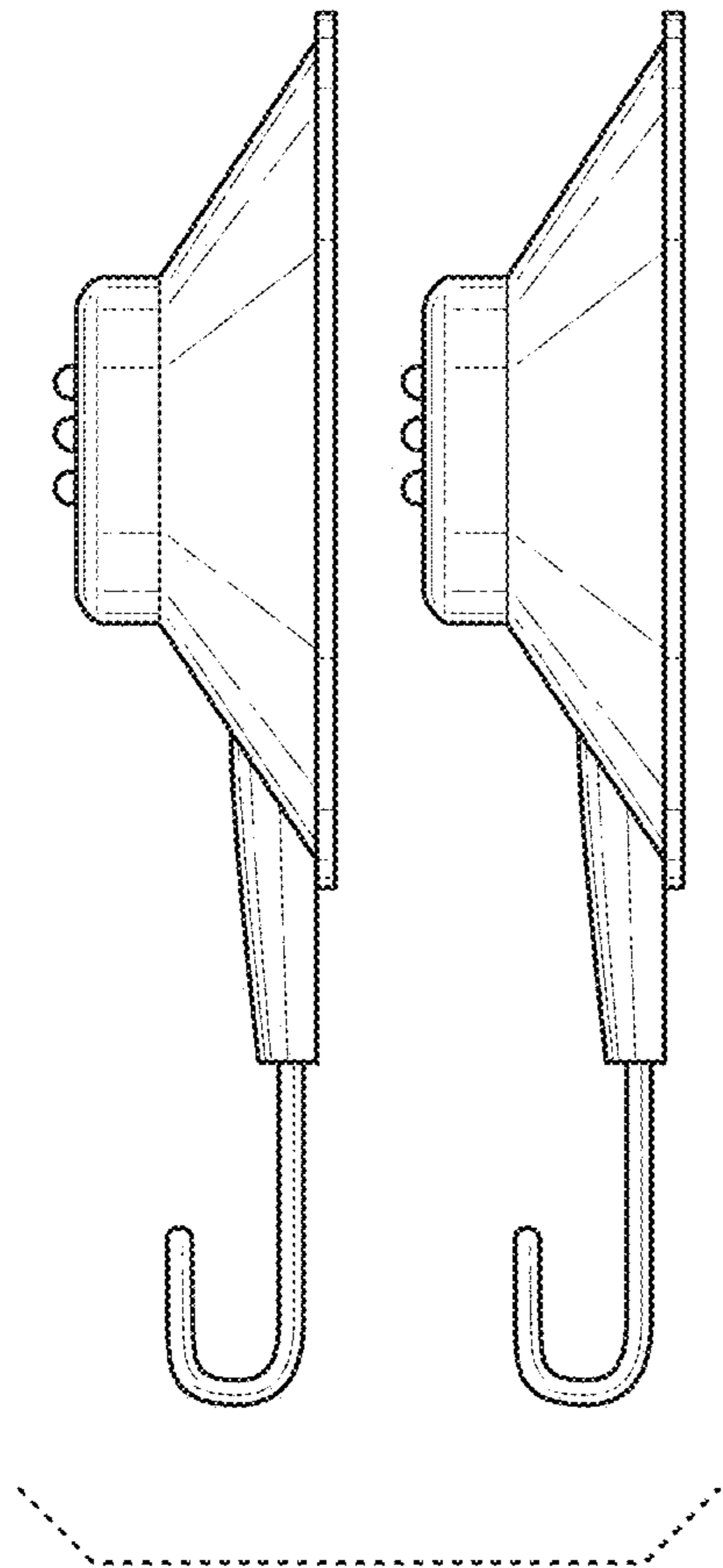


FIG. 4

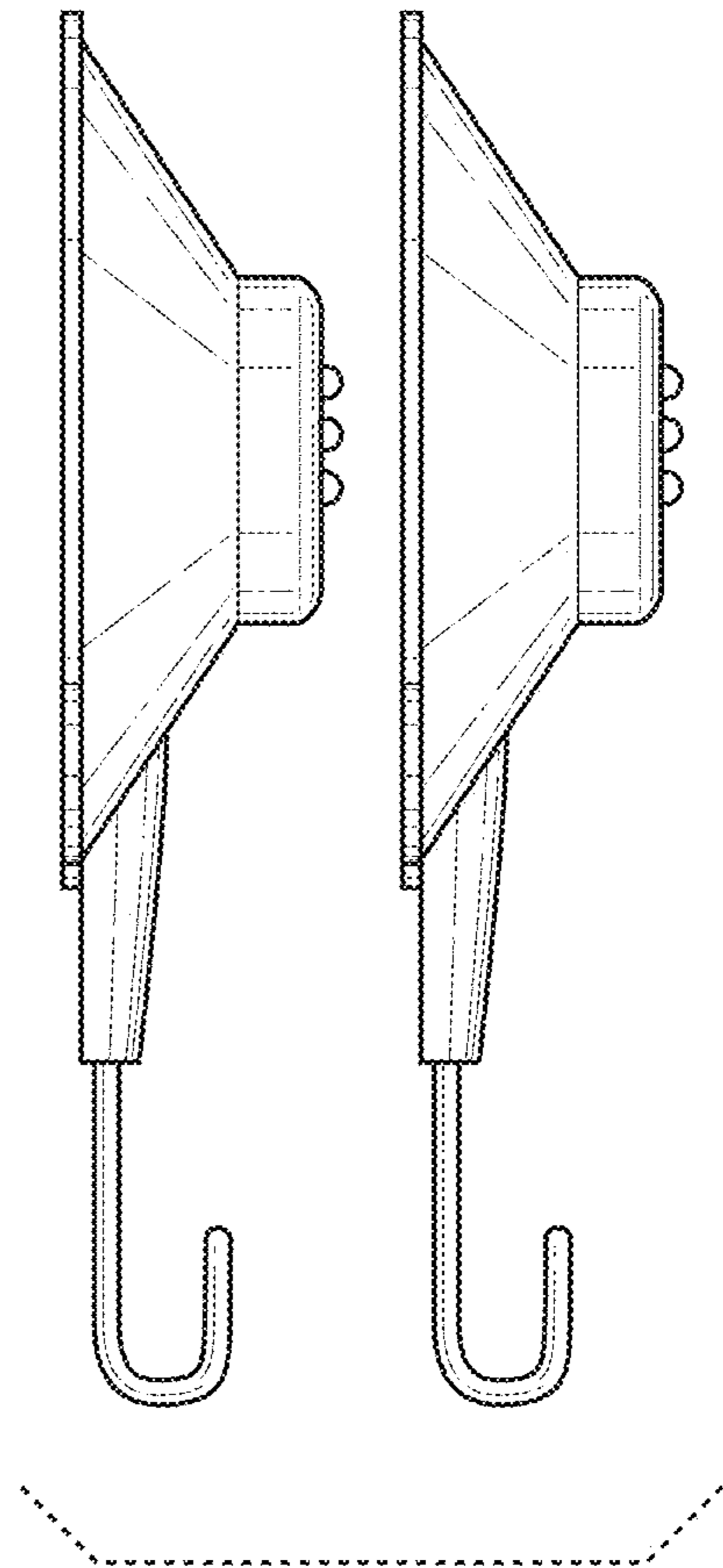


FIG. 5

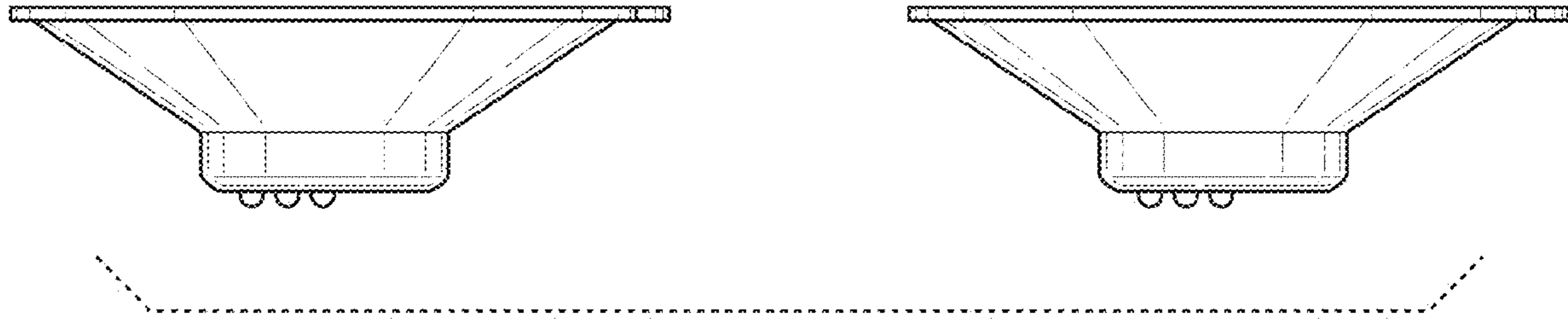


FIG. 6

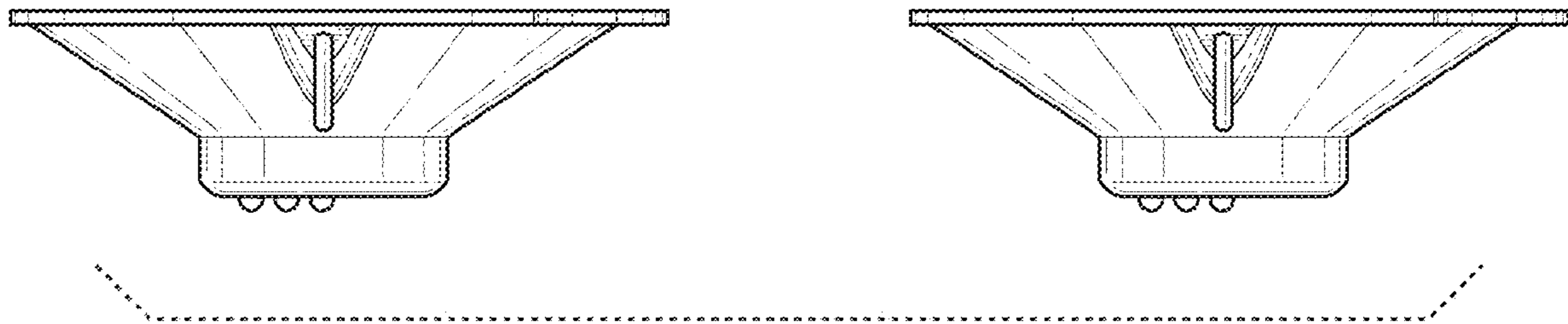


FIG. 7

UNITED STATES PATENT AND TRADEMARK OFFICE
CERTIFICATE OF CORRECTION

PATENT NO. : D873,121 S
APPLICATION NO. : 29/661931
DATED : January 21, 2020
INVENTOR(S) : Jeffery Alan Mieldon

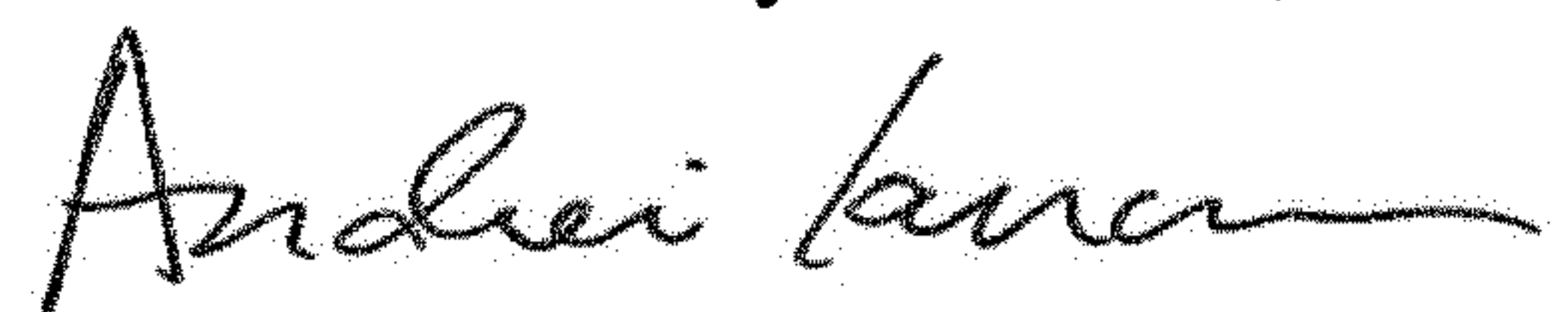
Page 1 of 1

It is certified that error appears in the above-identified patent and that said Letters Patent is hereby corrected as shown below:

On the Title Page

Column 1,
Inventor name is printed as: Jeffrey Alan Mieldon
Correct spelling of inventor name is: Jeffery Alan Mieldon

Signed and Sealed this
Seventeenth Day of March, 2020



Andrei Iancu
Director of the United States Patent and Trademark Office